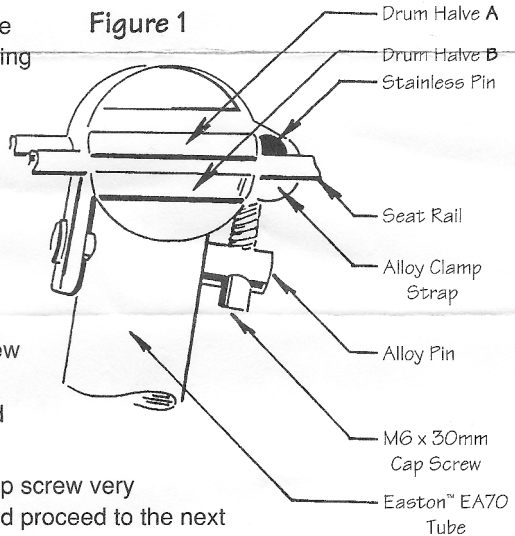


The MOBYPOST requires complete disassembly to facilitate mounting on the seat rails.

Assemble to rails as follows: (See Figure 1)

1. Position drum half "A" on the top side of rails (drums are identified on the interior surface).
2. Position alloy clamp strap (with the stainless pin in place) on top of drum half "A".
3. Position the drum half "B" on lower side of rails
4. Position seatpost tube (with height scale facing forward) and align the through-hole in the seatpost with the hole in the clamp strap then insert the alloy pin.
5. Align the alloy pin so that the M6 x 30mm socket head cap screw (with washer) can be inserted and screwed into the stainless pin.
6. Initially tighten the cap screw very lightly at this point and proceed to the next section.



Mounting on bike and adjustment of seat angle and position.

1. Insert seatpost into your bike and tighten seatpost binder.

WARNING: The seatpost must be inserted so that the limit line **Does Not Show**.

It is also advisable to make sure that the depth of insertion is compatible with your bike frame. The bottom of the seatpost should be below the lower attachment point of the top tube to the seat tube (see Figure 2).

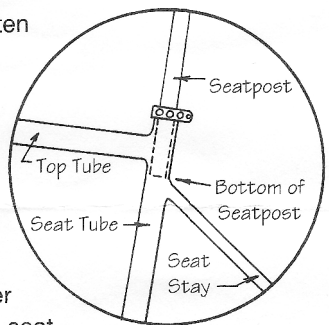


Figure 2

2. Rotate the seat so that it is level with the ground and position the seat so that the clamp is centered along the seat rail. This is a good starting point for determining your seat position. Tighten the cap screw to a torque of 75 inch-lbs.
3. You are now ready to climb in the saddle to check positioning. Please note an initial break-in period is required to mate parts. As the parts mate the adjustment may slacken, therefore initial test riding should be done with this in mind. After approximately 15 minutes of riding the seat clamp should be re-torqued to 75 inch-lbs.

PLEASE NOTE. To readjust the position of your seat you must fully loosen the clamp. Rotating the drum clamp under pressure will deteriorate the knurl.

WARNING: IT IS IMPERATIVE TO CHECK THE CONDITION OF ALL YOUR EQUIPMENT BEFORE EVERY RIDE.

Ringlé®