

**INSTALLATION INSTRUCTIONS FOR THE CONTROL TECH**  
**CONTROL BRAKE SET**

Thanks for purchasing the Control Tech, Control Brake. Every Control Brake Set is hand crafted, with pride, of premium quality aerospace grade materials and individually inspected before shipment. Please read the following instructions completely and thoroughly before installing and riding with your Control Brake Set. There are many helpful hints and cautions outlined here that will make your life (and ours) with the Control Brake Set as long and enjoyable as possible.

**INSTRUCTIONS**

- 1) Grease the Pivot Pin and brake boss and bolt (including under the head of the bolt). Slide the Pivot Pin onto the brake boss. Slide the brake arm onto the pivot pin. Place the cap on the brake arm and secure the arms to the boss with bolt. Torque the bolt to a maximum value of 100 to 120 in-lbs. (See figure 1)
- 2) Loosen the anchor bolt in the cable hanger and slide the hanger onto the brake wire. Position the hanger so there is approximately 3/4" of an inch clearance between tire and the hanger. Lightly tighten the anchor bolt. (See figure 2.)
- 3) Adjust the pads so they are flat or slightly toed-in and centered on the rim braking surface.
- 4) Move brake arms out and adjust the pivot clamp pieces out so there is approximately 1/8" (3mm) clearance on between the pad and the rims on both sides. (You will need a 2mm hex wrench for this.) When doing this adjustment it is important that there is an even distance between the pivot clamps and the hanger on both sides. If there is not an even distance then the brake will tend to pull from one side more than the other. (See figure 3.)
- 5) Tighten down all the pivot clamp set screws and the brake cable anchor bolt. Torque value should be a maximum of 40 to 60 inch-lbs.
- 6) Give the brakes a few good pulls to make sure everything is tight. Using a pair of pliers bend the end of the spring wire approximately 1/2" from the end of the pivot clamp at an angle toward the brake arm. (See figure 3.)
- 7) Go Ride!
- 8) Check for proper adjustment before each ride. As part of routine maintenance, carefully check your velocipede looking at all welds, tubes and clamps for cracks. Replace any component immediately if any damage is evident.

**WARNINGS!**

UNDER NO CIRCUMSTANCE SHOULD THESE BRAKES BE USED IF DAMAGED IN ANY WAY. PLEASE INSPECT YOUR BRAKE PERIODICALLY OR AFTER ANY IMPACT FOR POSSIBLE DAMAGE. IF YOU HAVE ANY QUESTIONS PLEASE CONTACT YOUR LOCAL DEALER OR CONTROL TECH.

DO NOT DISASSEMBLE THE HANGER AND SPRING ASSEMBLY. THIS REQUIRES SPECIAL TOOLING TO ASSEMBLE AND SHOULD NOT BE DISASSEMBLED AS THE SPRING CAN BE DAMAGED. (SEE FIGURE 3.)

"If it's been crashed, it should be trashed!" In case of a crash or any impact, carefully check your stem, bars, wheels, frame and fork for any visible damage. As with any component under varying stress, there is a limited fatigue life that is proportional to the use and abuse of the part. Undetectable, microscopic cracks can develop after a crash. These can significantly reduce the life of any bicycle part. If you have any doubts about the integrity of any part, **REPLACE IT.**

Bicycle riding can be dangerous. To prevent serious injury while riding, be sure your bicycle is adequately maintained and that all components are correctly installed and adjusted. If you have any doubts about your ability to correctly install your Control Brake Set, please contact your local dealer to ensure proper installation. Always ride with a helmet and appropriate protective equipment. Please respect the environment and rules of the roads and trails where you ride. **WEAR YOUR HELMET AND ENJOY THE RIDE!**

**\*\*WARRANTY\*\***

Control Tech warrants the Control Brake Set to be free from defects in material and workmanship for a period of two years from the date of original retail purchase. This warranty is extended to the original owner of the Brake as originally manufactured and specified by Control Tech. This warranty does not cover cosmetic or structural damage arising from abuse or misuse, including but not limited to damage caused by jumping and landing, front end impact or any other collision, falls or crashes, owner neglect, improper installation of parts and accessories, improper assembly, improper maintenance, or use of racks in transportation. Any modifications, changes, additions or substitutions to any part or component of the Brake Set are done so at the sole risk of the user. Control Tech makes no warranty against said modifications, changes, additions or substitutions. Wear from normal use or exposure to environmental elements is not covered by this warranty. Control Tech makes no warranty against any incidental or consequential damage to bike or parts, or rider injury caused by defects as covered in this warranty.

Control Tech will repair or replace, at its sole discretion, any Brake Set deemed defective under this warranty. There is no other remedy under this warranty either expressed or implied. Control Tech is not responsible for any shipping or dealer charges related to any warranty claim whether said claim is accepted by Control Tech or not.

**CONTROL TECH BICYCLE COMPONENTS USA**  
**22614 66th Ave. S. Kent. WA 98032**  
**MADE IN THE U.S.A.**

FIGURE 1

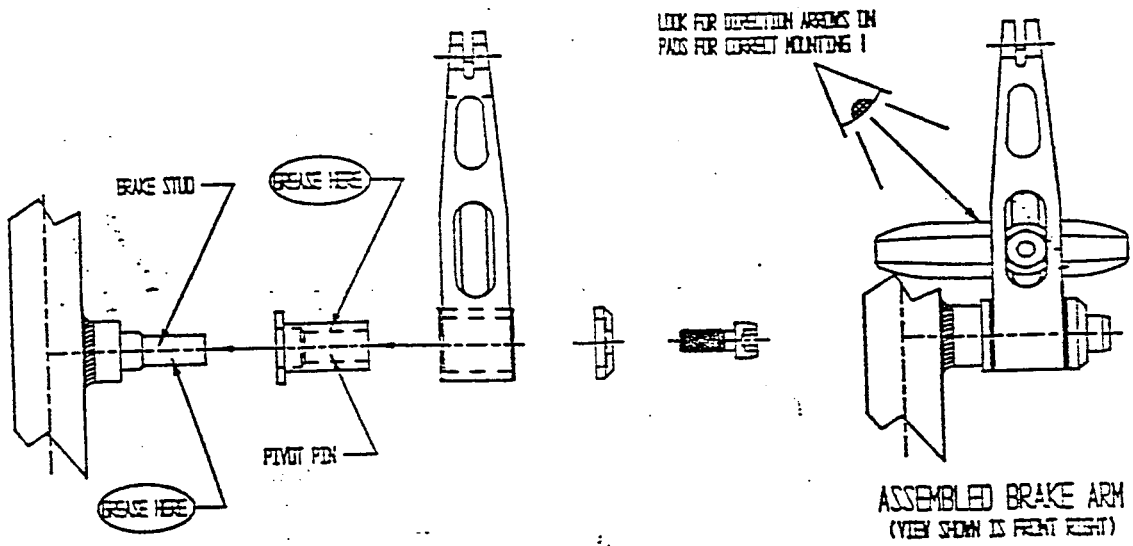


FIGURE 2

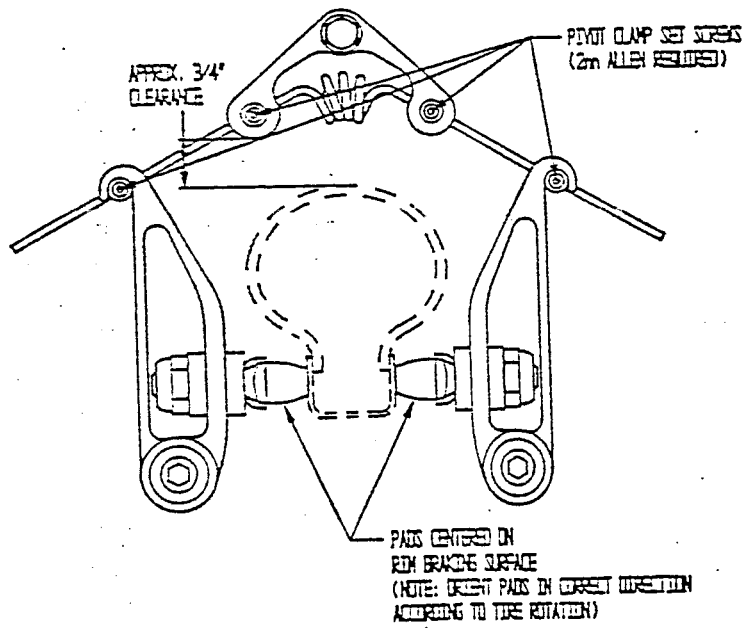


FIGURE 3

