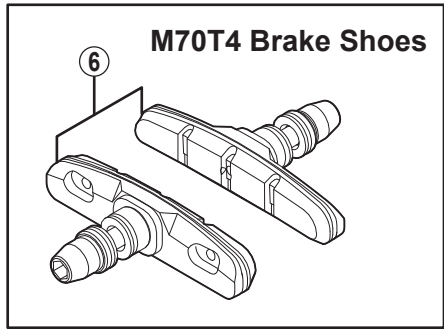
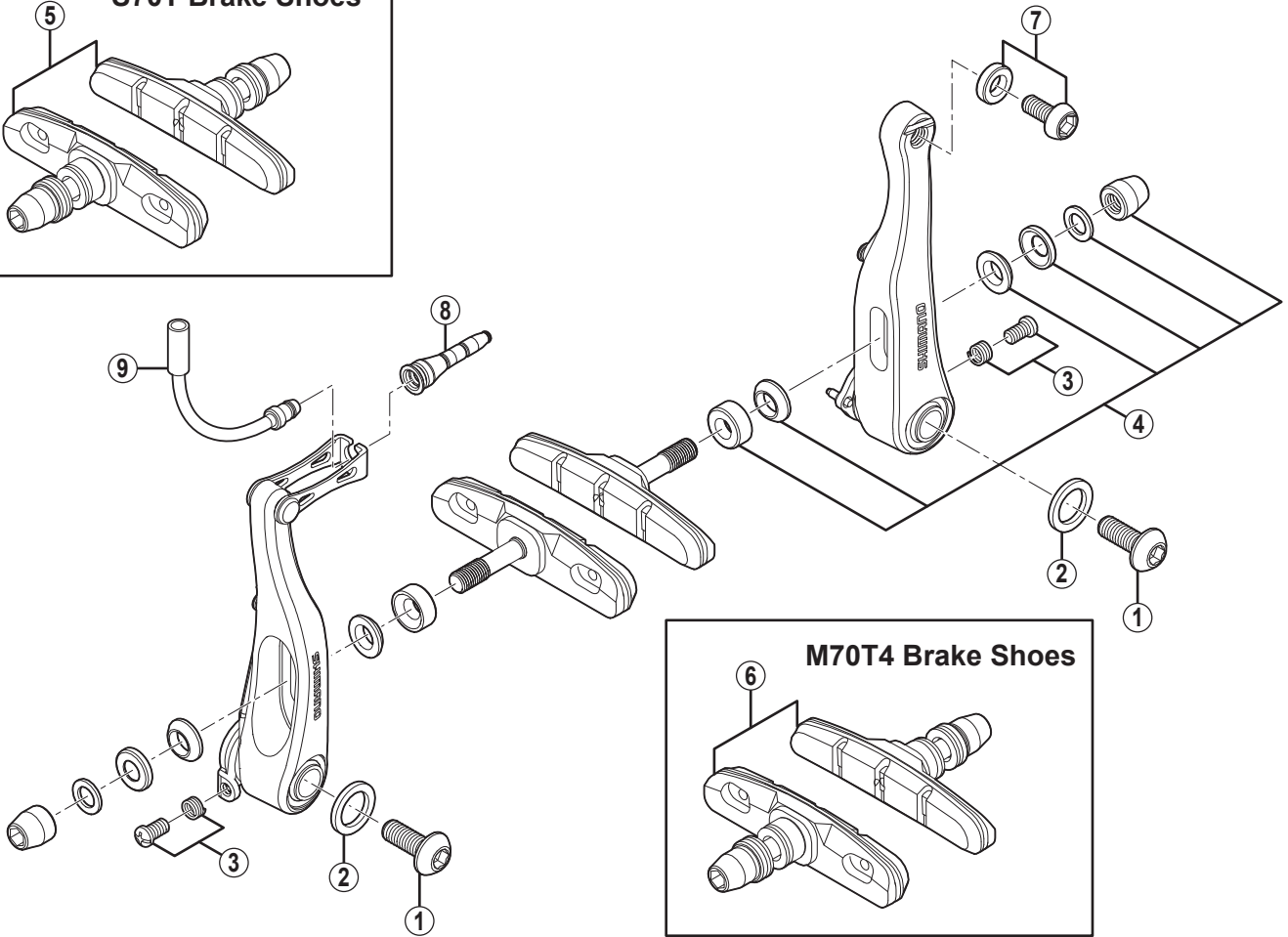
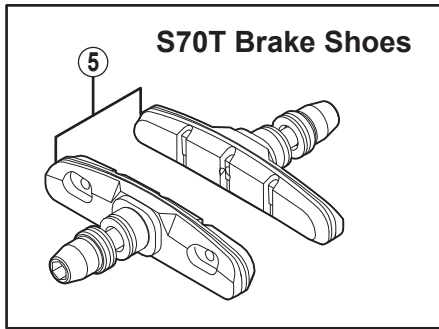


SHIMANO V-BRAKE Brake
BR-R353-S Silver Version
BR-R353-L Black Version



BR-R353S

BR-R353L

ITEM NO.	SHIMANO CODE NO.	DESCRIPTION	INTERCHANGEABILITY		
			BR-R353S	BR-R353L	
1	Y82N18800	Link Fixing Bolt (M6 x 16)	B	B	
	Y82N18500	Link Fixing Bolt (M6 x 25)	B	B	
2	Y8B019000	Link Fixing Washer	A	A	
3	Y8B098010	Spring Tension Adjustment Screw (M4x 7) & Stopper			
4	Y8B098030	Shoe Fixing Nut Unit	B	B	
5	Y8KW98010	S70T Cartridge-Type Brake Shoe Set (pairs)			
6	Y8KW98020	M70T4 Cartridge-Type Brake Shoe Set (pairs)			
7	Y8KW98030	Cable Fixing Bolt (M6 x 11.5) & Plate(Silver)	A	A	
	Y8KW98040	Cable Fixing Bolt (M6 x 11.5) & Plate(Black)	A	B	
8	Y8KW06000	Boot	A	A	
	Y8AA98070	Inner Cable Lead Unit (90° : Middle)	A	A	
	Y8AA98080	Inner Cable Lead Unit (135° : Long)	A	A	
	Y8AA98120	Inner Cable Lead Unit (45° : Short)	A	A	

A: Same parts.
 B: Parts are usable, but differ in materials, appearance, finish, size, etc.
 Absence of mark indicates non-interchangeability.

Mar.-2012-3357
 © Shimano Inc.D