

2009

BIKES



GT
BICYCLES®

TECHNOLOGY	04-05
MOUNTAIN	06-23
ROAD	24-29
COMMUTER	30-34
GTw	35-35
JUVENILE	36-37
BMX	
RACE	38-43
DIRT/STREET	44-49
STREET/PARK	50-53
FREESTYLE	54-59
KIDS	60-61
SPECIFICATIONS	62-76
GEOMETRY CHART	77-83

WINNING IS NOTHING TO BE ASHAMED OF.

There are those who would condemn competition. It's outdated, they say. Divisive. They extol the virtues of simple participation. Just showing up is enough, right? Well, we're happy to report that competition is still alive and well. On any given weekend, at races around the world, you will find riders who've won and riders who've lost. It's the law of the land, played out day after day after day. We're very okay with that. We think you should be too.



Our bikes are made to go fast. Everything from the geometry to the welds to the components is part of a master plan to make it haul ass. It's gagging to be ridden hard. So when you're on it, don't pussyfoot around. Go big. Ask more of it than you think it's capable of. Trust us, the bikes will keep up their end of the bargain. The question is, will you?

YOUR BIKE
IS **REALLY**
HOPING
YOU DON'T SUCK.

INDEPENDENT DRIVETRAIN

- 1** GT's patented Independent Drivetrain (ID) isolates the movement of the bottom bracket from the front and rear triangles of the bike. The result: greater pedal efficiency.
- 2** GT's single pivot design creates an arcing wheel trajectory, which allows the suspension to accurately follow the bump forces from beginning to end. The result: no loss of momentum.
- 3** GT's patented i-Link design limits pedal bob. The result: greater pedal efficiency.



FORCE OPTIMIZED CONSTRUCTION

ALL CARBON FRAMES ARE NOT CREATED EQUAL.

Using a process called Force Optimized Construction, GT Bicycles' engineers develop some of the lightest, strongest and stiffest road and mountain bike frames available. Here's how:

- 1** GT uses monocoque (1-piece) frame construction, which results in the highest strength-to-weight ratio possible.
- 2** GT uses a proprietary blend of carbon fibers. This insures the bikes are stiff and strong where it's needed most, such as the head tube and bottom bracket areas.
- 3** GT optimizes each tube shape to best counter act the forces placed on the frame from the rider and terrain.
- 4** GT uses a proprietary knitting and sequence process in which the direction and number of carbon fiber layers is optimized for the best possible strenght to weight ratio.



GTw MADE FOR WOMEN

GTw road and mountain bikes are crafted to fit the female cyclist. We start with specifically tuned frame geometry that gives the female cyclist more efficiency, better control and more comfort. We combine this with components that fit women better.

- 1** Narrower handlebars for more precise steering
- 2** Smaller diameter grips for better control
- 3** Short-reach brake levers for more stopping power
- 4** Women's specific saddles for greater comfort





THERE ARE NO
STRANGERS.
JUST FRIENDS
YOU HAVEN'T **CRUSHED** YET.

The world is covered with thousands of miles of trails, many of them inhabited by riders you don't yet know. Be open to them. Smile. Wave. Engage them in conversation. Chances are, chatting will soon give way to riding. Someone is bound to emerge stronger and someone is bound to get a knot on his ego. Good times, indeed. It keeps things interesting. If you've never demoralized a riding partner, we highly recommend it. You don't know what you're missing.



FORCE™ CARBON EXPERT

FRAME All-New GT carbon monocoque full suspension frame with 6" rear-wheel travel, sealed main and BB pivot bearings, forged i-Link, modular rear dropouts

SUSPENSION Fox TALAS 32 R w/ QR 15 through axle system adjustable travel from 110 - 150mm with air spring pressure and rebound adjust with 7050 aluminium steerer

DRIVETRAIN Shimano XT drivetrain with Shadow XT rear derailleur

CRANKSET Shimano XT, 44/32/22

BRAKES Shimano XT hydraulic disc brakes



FORCE™ 1.0

FRAME GT 6061 monocoque full suspension frame with 6" travel

SUSPENSION Fox 32 R w/ QR 15 through axle system with 140mm travel air spring pressure and rebound adjust with 7050 aluminium steerer, Fox Float RP 32 rear shock

DRIVETRAIN Shimano XT drivetrain with Shadow XT rear derailleur

CRANKSET Shimano XT Hollowtech 2, 44/32/22

BRAKES Shimano XT hydraulic disc brakes



FORCE™ 2.0

FRAME GT 6061 monocoque full suspension frame with 6" travel

SUSPENSION Rock Shox Revelation 140mm travel, airspring with rebound damping adjust; Fox Float R rear shock

DRIVETRAIN SRAM X-9/27 Speed drivetrain

CRANKSET Truvativ Stylo 44/32/22

BRAKES Avid Juicy 3 hydraulic disc brakes

Please note: Bike shown does not have the correct specifications. Please refer to product notes for correct specifications for this model.



FORCE™ 3.0

FRAME GT 6061 monocoque full suspension frame with 6" travel

SUSPENSION SR MAG 32 fork with 140 mm travel, air spring; Rock Shox BAR 2.1 rear shock

DRIVETRAIN Shimano Deore 27-Speed drivetrain, Deore Shifters

CRANKSET FSA Alpha Drive 44/32/22

BRAKES Tektro Auriga Pro hydraulic disc brakes



CROSS COUNTRY

RACE-READY.
IF YOU ARE.

MARATHON™ CARBON TEAM

FRAME GT ID4 full suspension frame with monocoque carbon fiber front and rear triangles, 4" travel

SUSPENSION Fox 32 RL fork, air spring, 120mm travel with remote lock out; Fox Float RP23 shock

DRIVETRAIN Full Shimano XTR 27-Speed drivetrain with Shimano XTR trigger shifters

CRANKSET Shimano XTR

BRAKES Shimano XTR Centerlock hydraulic disc brakes



MARATHON™ CARBON PRO

FRAME GT ID4 full suspension frame with monocoque carbon fiber front and rear triangles, 4" travel

SUSPENSION Fox 32 RL fork, air spring, 120mm travel; Fox Float RP23 shock

DRIVETRAIN Full Shimano XT 27-Speed drivetrain with Shimano XTR trigger shifters

CRANKSET Shimano XT

BRAKES Shimano XT hydraulic disc brakes



MARATHON™ CARBON EXPERT

FRAME GT ID4 full suspension frame with monocoque carbon fiber front and rear triangles, 4" travel

SUSPENSION Rock Shox Recon 335 fork, air spring, 120mm travel; Fox Float R shock

DRIVETRAIN Shimano SLX 27-Speed drivetrain with Shimano SLX trigger shifters

CRANKSET Shimano SLX

BRAKES Shimano SLX hydraulic disc brakes



MARATHON™ ELITE

FRAME GT 6061 aluminium ID4 full suspension frame, 4" travel

SUSPENSION Rock Shox Recon 335 fork, air spring, 120mm travel; Fox Float R shock

DRIVETRAIN Shimano Deore SLX 27-Speed drivetrain with Shimano SLX trigger shifters

CRANKSET Shimano SLX

BRAKES Avid Juicy 3 hydraulic disc brakes



MARATHON™ SPORT

FRAME GT 6061 aluminium ID4 full suspension frame, 4" travel

SUSPENSION SunTour Mag 32 fork, air spring, 120mm travel; Fox Float R shock

DRIVETRAIN Shimano Deore 27-Speed drivetrain with Shimano Deore trigger shifters

CRANKSET Shimano 9-speed cranks

BRAKES Tektro Auriga Comp hydraulic disc brakes



ZASKAR® CARBON TEAM

FRAME GT full monocoque carbon frame with replaceable derailleur hanger

SUSPENSION Fox 32 RL, 100mm travel with remote lock out

DRIVETRAIN Full Shimano XTR 27-Speed drivetrain with Shimano XTR trigger shifters

CRANKSET Shimano XTR, 22/32/44

BRAKES Shimano XTR Centerlock hydraulic disc brakes



ZASKAR® CARBON PRO

FRAME GT full monocoque carbon frame with replaceable derailleur hanger

SUSPENSION Fox 32 RL, 100mm travel

DRIVETRAIN Full Shimano XT 27-Speed drivetrain with Shimano XTR trigger shifters

CRANKSET Shimano XT, 22/32/44

BRAKES Shimano XT hydraulic disc brakes



ZASKAR® CARBON EXPERT

FRAME GT full monocoque carbon frame with replaceable derailleur hanger

SUSPENSION Rock Shox Recon Race, 100mm travel

DRIVETRAIN Shimano Deore SLX drivetrain with Shimano SLX trigger shifters

CRANKSET Shimano SLX, 22/32/44

BRAKES Shimano SLX hydraulic disc brakes



ZASKAR® EXPERT

FRAME New GT hydroformed Kinesis SuperLight aluminium frame

SUSPENSION Rock Shox Recon Race, 100mm travel

DRIVETRAIN Shimano Deore SLX drivetrain with Shimano SLX trigger shifters

CRANKSET Shimano SLX, 22/32/44

BRAKES Shimano SLX hydraulic disc brakes



AVALANCHE™ EXPERT

FRAME GT Triple Triangle design 6061 Superlite butted hardtail frame with hydroformed tubeset

SUSPENSION RockShox Tora 302 fork, 85-130mm travel

DRIVETRAIN Shimano 27-Speed drivetrain with SLX front derailleur and Shimano XT Shadow rear derailleur, Shimano SLX trigger shifters

CRANKSET Shimano MC-542 crankset

BRAKES Avid Juicy 3 hydraulic disc brakes



AVALANCHE™ 1.0 DISC

FRAME GT Triple Triangle design 6061butted hardtail frame with hydroformed tubeset

SUSPENSION Rock Shox Dart 3, 100 mm travel, preload adjust with magnesium lowers, external rebound adjust and Turn-Key lock out

DRIVETRAIN Shimano 27-Speed drivetrain with XT Shadow rear derailleur and Deore front derailleur; Shimano Deore trigger shifters

CRANKSET FSA Alpha Drive, 44/32/22

BRAKES Tektro Auriga Comp hydraulic disc brakes



AVALANCHE 1.0 DISC



Please note: Bike shown does not have the correct specifications. Please refer to product notes for correct specifications for this model. Incorrect pedals displayed, correct pedals are Wellgo M-21.

AVALANCHE™ 2.0 DISC

FRAME GT Triple Triangle design 6061 butted hardtail frame with hydroformed tubeset

SUSPENSION Suntour XCR-LO fork, 100mm travel with lock-out

DRIVETRAIN Shimano 24-Speed drivetrain with Shimano SLX rear derailleur; Shimano rapid-fire shifters

CRANKSET Shimano FC-M311, 42/32/22

BRAKES Tektro Auriga Comp, hydraulic, dual piston



AVALANCHE 2.0 DISC



AVALANCHE™ 3.0 DISC

FRAME GT Triple Triangle design 6061 hardtail frame with hydroformed tubeset

SUSPENSION SR Suntour XCM fork, 100mm travel with lock-out

DRIVETRAIN Shimano 24-speed drivetrain with Alivio rear derailleur; Shimano rapid-fire shifters

CRANKSET Suntour XCT-302, 42/32/22

BRAKES Tektro IO mechanical disc brakes



AVALANCHE 3.0 DISC



OUTPOST™ DISC

FRAME GT Triple Triangle design 6061 aluminium hardtail frame

SUSPENSION SRM 2025 fork, 75mm Travel

DRIVETRAIN Shimano 24-speed drivetrain with Shimano Acera rear derailleur; Shimano EF50 Shifters

CRANKSET Suntour XCC-202, 42/32/22

BRAKES ProMax mechanical disc brakes



OUTPOST DISC



OUTPOST™

FRAME GT Triple Triangle design 6061 aluminium hardtail frame

SUSPENSION SRM 2025 fork, 75mm Travel

DRIVETRAIN Shimano 24-speed drivetrain with Shimano Acera rear derailleur; Shimano EF50 Shifters

CRANKSET Suntour XCC-202, 42/32/22

BRAKES ProMax linear pull brakes



OUTPOST



AGGRESSOR™ 26

- FRAME** GT Triple Triangle design 6061 aluminium hardtail frame
- SUSPENSION** SRM 2025 fork, 75mm travel
- DRIVETRAIN** Shimano 21-speed drivetrain; Shimano EF50 shifters
- CRANKSET** Suntour XCC-202, 42/32/22
- BRAKES** Radius linear pull brakes



AGGRESSOR 26



LAGUNA™ 26

- FRAME** GT Triple Triangle design 6061 aluminium hardtail frame
- SUSPENSION** SRM 2025 fork, 75mm travel
- DRIVETRAIN** Shimano 21-speed drivetrain; Shimano EF50 shifters
- CRANKSET** Suntour XCC-202, 42/32/22
- BRAKES** Promax linear pull brakes



DIRT JUMPING

TRY IT. **LAND IT.**
NAME IT. REPEAT.

RUCKUS™ DX

FRAME New GT aluminium freeride design

SUSPENSION Marzocchi Dirt Jumper 2, coil spring, 100mm travel

DRIVETRAIN SRAM X-7 rear derailleurs and shifters

CRANKSET FSA Gravity Moto X Mega XO

BRAKES Hayes Stroker Ryde hydraulic disc brakes



RUCKUS™ SX

FRAME New GT aluminium freeride design

SUSPENSION Marzocchi Dirt Jumper 2, coil spring, 100mm travel

DRIVETRAIN SRAM X-5 rear derailleur and shifters

CRANKSET FSA Gravity Maximus DH

BRAKES Avid Juicy 3, dual piston hydraulic disc brakes



RUCKUS™ UF 26

FRAME GT urban freeride design cromoly frame

SUSPENSION Suntour Duro D, coil spring, 80mm travel

CRANKSET GT tubular cro-moly 3-piece crank

BRAKES Tektro Auriga Comp, hydraulic disc



CHUCKER™ 1.0

FRAME New aluminium GT Triple Triangle trail design

SUSPENSION Suntour Duro D fork, coil spring 100mm travel

DRIVETRAIN SRAM 18-Speed Drivetrain with X-5 rear derailleur and SRAM 3.0 front derailleur; SRAM X-5 trigger shifters

CRANKSET Truvativ Ruktion 32/22t crankset with bashguard

BRAKES Tektro Auriga Comp hydraulic disc brakes



CHUCKER™ 2.0

FRAME New aluminium GT Triple Triangle trail design

SUSPENSION RST Launch T8 fork, coil spring, 100mm travel

DRIVETRAIN SRAM 16-Speed Drivetrain with X-5 rear derailleur and SRAM 3.0 front derailleur; SRAM X-4 trigger shifters

CRANKSET Truvativ Ruktion 32/22t crankset with bashguard

BRAKES ProMax hydraulic disc brakes



CHUCKER 2.0



CHUCKER™ 3.0

FRAME Aluminium GT Triple Triangle trail design

SUSPENSION RST Launch T8 fork, coil spring, 100mm travel

DRIVETRAIN SRAM 16-Speed Drivetrain with SX-4 rear derailleur and SRAM 3.0 front derailleur; SRAM 3.0 Comp twist grip

CRANKSET ProWheel Pioneer SS with bashguard

BRAKES ProMax mechanical disc brakes



CHUCKER 3.0



SINGLE SPEED-26" & 29"

ROLL OVER ROOTS, ROCKS AND
THE OCCASIONAL **FOX**.

PEACE™ 9R

FRAME New GT triple triangle SS design made with Reynolds 520 butted tubing, 29" wheel compatible

DRIVETRAIN Single-speed drivetrain

CRANKSET Truvativ Blaze crankset

BRAKES Tektro Aquila mechanical disc brakes



PEACE™ 26" SINGLESPEED

FRAME New GT triple triangle SS design made with Reynolds 520 butted tubing

DRIVETRAIN Single-speed drivetrain

CRANKSET Truvativ Blaze crankset

BRAKES Tektro Aquila mechanical disc brakes



THE WEAK WILL **FOLLOW THE STRONG** AT LEAST UNTIL THEY FALL OFF THE BACK.

But here's the kicker. Sometimes the weak can become the strong. If a rider is willing to suffer day in and day out and sacrifice enough sleep, pastries and social events, that rider can move from the back of the peloton to the front. Hard work can trump genetics. It's this very notion that should keep the weak rider from getting too frustrated and the strong rider from getting too comfortable.



2009

ROAD
BIKES



PERFORMANCE RACE

RIDE ON THE LEFT.

26

GTR™ CARBON TEAM

FRAME New GTR carbon monocoque frame with integrated seatmast, asymmetric head tube and carbon rear dropouts

FORK GT carbon fork

DRIVETRAIN New Shimano Dura-Ace drivetrain with Dura-Ace 10-speed shifters

CRANKSET Shimano, Dura-Ace, 50/34

BRAKES Shimano Dura-Ace



Ritchey WCS custom forged "topper" for the integrated seatmast of the Pro & Team model road bikes



GTR™ CARBON PRO

FRAME New GTR carbon monocoque frame with integrated seatmast, asymmetric head tube and carbon rear dropouts

FORK GT carbon fork

DRIVETRAIN Shimano Ultegra drivetrain with Ultegra 10-speed shifters

CRANKSET Shimano Ultegra, 50/34

BRAKES Shimano Ultegra



GTR™ CARBON EXPERT

FRAME New GTR carbon monocoque frame with asymmetric head tube and carbon rear dropouts

FORK GT carbon fork

DRIVETRAIN Shimano Ultegra drivetrain with Ultegra 10-speed shifters

CRANKSET Shimano Ultegra, 50/34

BRAKES Shimano Ultegra



GTR™ CARBON SPORT

FRAME New GTR carbon monocoque frame with asymmetric head tube and carbon rear dropouts

FORK Kinesis carbon fork

DRIVETRAIN Shimano 105 compact drivetrain with 105 10-speed shifters

CRANKSET Shimano 105, 50/34

BRAKES Shimano 105

Please note: Incorrect wheelset shown in picture, correct wheelset is Mavic Aksium



GTR™ SERIES 1

FRAME GTR compact design Kinesis 6061 frame with carbon seat stays

FORK GT carbon fork

DRIVETRAIN Shimano Ultegra drivetrain with Ultegra 10-speed shifters

CRANKSET Shimano Ultegra, 50/34

BRAKES Tektro forged dual pivot



GTR™ SERIES 2

FRAME GTR compact design Kinesis 6061 frame with carbon seatstays

FORK GT carbon fork

DRIVETRAIN Shimano 105 compact drivetrain with 105 10-speed shifters

CRANKSET FSA Gossamer Mega EXO, 50/34

BRAKES Tektro forged dual pivot



GTR™ SERIES 3

FRAME GTR compact design Kinesis 6061 frame

FORK GT carbon fork

DRIVETRAIN Shimano Tiagra compact drivetrain with Shimano Sora 9-speed shifters

CRANKSET Shimano Tiagra, 50/34

BRAKES Tektro forged dual pivot



GTR™ SERIES 4

FRAME GTR compact design Kinesis 6061 frame

FORK Carbon fork

DRIVETRAIN Shimano Sora compact drivetrain with Shimano STI 8-speed shifters

CRANKSET FSA Varo Compact crankset, 50/39

BRAKES Alloy Caliper



FITNESS COMMUTER

THE HIGHER FUEL PRICES GO,
THE **BETTER** THE RIDE **FEELS**.

TRANSEO™ ULTRA

FRAME GT 7000 series aluminium sport fitness frame

FORK SR NCX-E RL, 50mm travel, air sprung with remote lock-out

DRIVETRAIN Shimano 27-speed drivetrain with Shimano XT rear derailleur and Shimano Deore front derailleur; Shimano Deore 9-speed Rapid Fire shifters

CRANKSET Shimano HollowTech, 48 / 38 / 28

BRAKES Avid Juicy 3, dual piston hydraulic disc brakes



TRANSEO™ 1.0 DISC

FRAME GT 7000 series aluminium sport fitness frame

FORK SR NCX-E RL, 50mm travel, air sprung with remote lock-out

DRIVETRAIN Shimano 27-speed drivetrain with Shimano SLX rear derailleur and Shimano Deore front derailleur; Shimano Deore 9-speed Rapid Fire shifters

CRANKSET Shimano HollowTech, 48/38/28

BRAKES Tektro Auriga hydraulic disk brakes



TRANSEO™ LTD

FRAME GT 7000 series aluminium sport fitness frame

FORK SR NEX-4610 50mm travel, disc mount with pre-load adjust, speedlock Mech. lockout and fender/rack mounts

DRIVETRAIN Shimano Nexus 8-speed internal geared hub with Nexus Rapid Fire shifter

CRANKSET SR Suntour 42 T with alloy outer guard

BRAKES Shimano Nexus direct pull brakes



TRANSEO™ 2.0 DISC

FRAME GT 7000 series aluminium sport fitness frame

FORK SR NCX-D RL fork, 50 mm travel with remote lock-out

DRIVETRAIN Shimano 24-speed drivetrain with Shimano Deore rear derailleur and Shimano Acera front derailleur; Shimano Alivio 8-speed rapid fire shifters

CRANKSET Shimano Acera, 48/38/28

BRAKES Tektro Auriga Comp brakes



TRANSEO™ 3.0 DISC

FRAME GT 7000 series aluminium sport fitness frame

FORK SR NEX-4610 fork, 50 mm travel with lock-out

DRIVETRAIN Shimano 24-speed drivetrain with Shimano Alivio rear derailleur; Shimano 8-speed rapid fire shifters

CRANKSET Shimano Acera, 48/38/28

BRAKES Tektro Aquila mechanical disc brakes



TRANSEO™ 4.0

FRAME GT 7000 series aluminium sport fitness frame

FORK SR / Suntour NEX4110 fork

DRIVETRAIN Shimano 24-speed drivetrain with Shimano Acera rear derailleur; Shimano EF-50 8-speed rapid fire plus shifters

CRANKSET Suntour CW9-XCC, 48/38/28

BRAKES Shimano EF-50 reach-adjustable brakes



TRANSEO™ 5.0

FRAME New GT 7000 series aluminium sport fitness frame

FORK Cromoly fork

DRIVETRAIN Shimano 21 Speed with Shimano Altus rear derailleur, Shimano 7-speed rapid fire plus shifters

CRANKSET Suntour CW7-XCC, 48/38/28

BRAKES Shimano EF-50 reach-adjustable brakes



COMFORT

LYCRA NOT REQUIRED.

TIMBERLINE™ SPORT

FRAME New GT 7000 Series aluminium frame with comfort geometry

FORK SR NCX-D one piece, magnesium lowers, disc mount with pre-load adjust

DRIVETRAIN Shimano 24-speed drivetrain, with Shimano 8 speed C-50 twist shifters and Shimano Alivio rear derailleur

CRANKSET Shimano Altus, 48/38/28

BRAKES Alloy with soft touch levers, direct pull brakes



TIMBERLINE SPORT WOMEN'S

TIMBERLINE™

FRAME New GT 7000 Series aluminium frame with comfort geometry

FORK SR NEX-4100, one piece aluminium lowers, disc mount with pre-load adjust

DRIVETRAIN Shimano 21-speed drivetrain, with Shimano 7 speed Revo Shifters

CRANKSET Suntour NEX 208, 48/38/28

BRAKES Tektro alloy, direct pull brakes



TIMBERLINE WOMEN'S



NOMAD™ SPORT

- FRAME** New design GT 7000 Series aluminium frame with fitness geometry
- FORK** SR NCX-DLO RL suspension fork with lock-out
- DRIVETRAIN** Shimano 24-speed drivetrain; Shimano EF-50 rapid fire plus shifters
- CRANKSET** Shimano TX-71, 48/38/28
- BRAKES** Shimano EF-50 linear pull brakes



NOMAD SPORT WOMEN'S



NOMAD™

- FRAME** New design GT 7000 Series aluminium frame with fitness geometry
- FORK** SR NEX-4110 suspension fork
- DRIVETRAIN** Shimano 21-speed drivetrain; Shimano 7-speed Revo shifters
- CRANKSET** Suntour NEX 200, 48/38/28
- BRAKES** Linear pull brakes



NOMAD WOMEN'S



WOMEN'S

FAIRER **SEX**, HERE'S AN UNFAIR **ADVANTAGE.**

GTw AVALANCHE™ 1.0 DISC

FRAME GT Triple Triangle design 6061 hardtail frame with geometry design for women

SUSPENSION Rock Shox Dart 3, 100 mm travel, preload adjust with magnesium lowers, external rebound adjust and Turn-Key lock out

DRIVETRAIN Shimano 27-speed drivetrain with Deore front derailleur and XT Shadow rear derailleur; Shimano Deore trigger shifters

CRANKSET Shimano, 44/34/22

BRAKES Tektro Auriga Comp hydraulic disc brakes

Please note: Incorrect pedals displayed, correct pedals are Wellgo M-21.

GTw AVALANCHE™ 2.0 DISC

FRAME GT Triple Triangle design 6061 frame with geometry designed for women

SUSPENSION Suntour XCR-LO fork, 100mm travel

DRIVETRAIN Shimano 24-speed drivetrain with Shimano SLX rear derailleur; Shimano Alivio rapid-fire shifters

CRANKSET Shimano, 42/32/22

BRAKES Tektro Auriga Comp, hydraulic, dual piston

GTw AVALANCHE™ 3.0 DISC

FRAME GT Triple Triangle design 6061 frame with geometry designed for women

SUSPENSION SR Suntour XCM fork, 100mm travel

DRIVETRAIN Shimano 24-speed drivetrain with Alivio rear derailleur; Shimano rapid-fire shifters

CRANKSET Suntour XCT-02, 42/32/22

BRAKES Tektro IO mechanical disc brakes



Please note: All bikes shown on this page do not have the correct specifications. Please refer to product notes for correct specifications.

JUVENILE

WE SHRUNK THE SIZE NOT THE
MOUNTAIN-CRUSHING PERFORMANCE.

STOMPER™ 24

FRAME GT Triple Triangle design 6061 aluminium hardtail frame

SUSPENSION SRM 2000 fork, 75mm travel

DRIVETRAIN Shimano 21-speed drivetrain; SRAM MRX shifters

CRANKSET Suntour XCC-T102, 42/32/22

BRAKES Tektro linear pull brakes



LAGUNA™ 24

FRAME GT Triple Triangle design 6061 aluminium hardtail frame

SUSPENSION SRM 2000 fork, 75mm travel

DRIVETRAIN Shimano 21-speed drivetrain; SRAM MRX shifters

CRANKSET Suntour XCC-T102, 42/32/22

BRAKES Tektro linear pull brakes



STOMPER™ 20

FRAME GT Triple Triangle design 6061 aluminium hardtail frame

SUSPENSION SRM 2000 fork, 75mm travel

DRIVETRAIN Shimano 7-speed drivetrain; SRAM MRX shifters

CRANKSET Cotterless Aluminium 36 tooth chainring single

BRAKES Tektro linear pull brakes



SCAMP™ 20

FRAME GT Triple Triangle design 6061 aluminium hardtail frame

SUSPENSION SRM 2000 fork, 75mm travel

DRIVETRAIN 7-speed drivetrain with Shimano rear derailleur; SRAM MRX shifters

CRANKSET Single 36t chainring

BRAKES Tektro linear pull brakes



WINNING IS NOT
A DIRTY
WORD.

It is okay to beat others. It is not wrong to feed dust to your competitors and stand on the podium victorious. This may sound unusual in a world that views winning as too aggressive. With all due respect, we couldn't care less. We make bikes that make winning possible. For this we do not apologize.



2009

**BMX
BIKES**



ULTRA BOX

FRAME GT 6061 aluminium

FORK GT BMX design aluminium

CRANKS Truvativ 180 mm "Racing Team" forged aluminium

WHEELS/TYRES Alex Supra Dome rims, Kenda Small Block Eight tyres

COLOUR Pearl white



UB2

FRAME High modulus monocoque carbon fiber frame. Classic Ultra-Box XL geometry. CNC aluminium dropouts, internal cable routing and internal seatpost clamp.

COLOUR Blue/white 2-tone



XL

FRAME GT 6061 aluminium

FORK GT BMX design aluminium

CRANKS Truvativ 180 mm "Racing XR" forged aluminium

WHEELS/TYRES Alex Supra Dome rims, Kenda

Small Block Eight tyres

COLOUR Pearl white



24"

FRAME GT 6061 aluminium

FORK GT BMX design aluminium

CRANKS Truvativ 180 mm "Racing XR"
forged aluminium

WHEELS/TYRES Alex Supra Dome rims,
Kenda Small Block Eight tyres

COLOUR Pearl white



PRO

FRAME GT 6061 aluminium

FORK GT BMX design cro-moly

CRANKS GT Tubular Cr-Mo 3pc

WHEELS/TYRES Alex rims, Kenda
Small Block Eight tyres

COLOUR Pearl white





JR

FRAME GT 6061 aluminium

FORK GT BMX design aluminium

CRANKS Truativ 180 mm "Racing XR"
forged aluminium

WHEELS/TYRES Alex Supra Dome rims,
Kenda Small Block Eight tyres

COLOUR Pearl white



EXPERT

FRAME GT 6061 aluminium

FORK GT BMX design aluminium

CRANKS GT forged aluminium, 3-piece, ISIS drive

BRAKES Tektro 926AL

WHEELS/TYRES Alex DA-22 rims, Kenda Small Block
Eight tyres

COLOUR Pearl white



MICRO

FRAME GT 6061 aluminium

FORK GT BMX design aluminium

CRANKS GT forged aluminium, 3-piece, ISIS drive

WHEELS/TYRES Alex DA-22 rims, Kenda Small
Block Eight tyres

COLOUR Pearl white



DIRT/ STREET

Blame the sandy dirt. Blame the transition. Blame the rotting plywood on the ramp. But if you don't nail the landing, do us a favor and don't blame your bike. It's been engineered to get the Dave Dillewaardes of the world through whatever stunt they try, no matter how ill-advised it may be. Rest assured, your GT bike can handle it. The real question is, can you?

FUELER

FRAME GT cro-moly with BMX dirt/street design

FORK GT BMX dirt/street design cro-moly fork

CRANKS Improved GT tubular cro-moly, 3-piece

WHEELS/TYRES Alienation Black Sheep, double wall rims, Kenda Kinition rear and Kenda K-Rad front tyres

COLOUR White



BUMP

FRAME GT dirt/street design with cro-moly tubes and mid-size BB shell

FORK GT BMX dirt/street design cro-moly fork

CRANKS GT tubular cro-moly, 3-piece

WHEELS/TYRES Alienation PBR rims, Kenda K-Rad tyres

COLOUR Semi gloss purple and lemon



FLY

FRAME GT dirt/street design with cro-moly down tube and mid-size BB shell

FORK GT BMX dirt/street design cro-moly fork

CRANKS Improved GT tubular cro-moly, 3-piece

WHEELS/TYRES Alex G-303 rims, Kenda Konxion front and Kenda K-Rad rear tyres

COLOUR Mint and semi gloss dark grey



RIDER: **GREGG INGERSOLL**

THE PROJECT

GT would like to give a shout out to our new GT crew, The Project. After combing through hundreds of submitted videos, we hand-picked our fave ten from across the globe. Each rider received a custom Project frame along with some Project swag. Keep an eye out for the Project and the riders at GTbicycles.com or via Vital BMX.



RIDER: MIKE SZCZESNY



RIDER: DEMETRIUS ANDRZEJEWSKI



RIDER: DEMETRIUS ANDRZEJEWSKI



STREET/ PARK

Skinny jeans. Fly colours. Checkerboard anything. When you've been building bikes as long as we have, you see a lot of things come and go, then come back again. But throughout the years one thing hasn't changed. Our passion to build bikes that can handle any beat down you can throw at it.



CALAFIA

FRAME GT cro-moly BMX freestyle design

FORK GT BMX freestyle design cro-moly fork

CRANKS GT tubular cro-moly, 3-piece

WHEELS/TYRES Alienation Black Sheep rims,

Kenda Kination tyres

COLOUR Yellow



EL CENTRO

FRAME GT freestyle/street design with cro-moly tubes and mid-size BB shell

FORK GT BMX freestyle design cro-moly fork

CRANKS GT tubular cro-moly, 3-piece

WHEELS/TYRES Alienation PBR, Kenda

Kiniption tyres

COLOUR Cherry



EL CENTRO 18" ORANGE

FRAME GT freestyle/street design with mid-size BB shell

FORK GT BMX freestyle design cro-moly fork

CRANKS GT tubular cro-moly, 3-piece

WHEELS/TYRES Alex G-303 rims, Kenda

Contact tyres

COLOUR Orange



EL CENTRO 16" BLUE

FRAME GT freestyle/street design with mid-size BB shell

FORK GT BMX freestyle design cro-moly fork

CRANKS GT tubular cro-moly, 3-piece

WHEELS/TYRES Alex G-303 rims, Kenda Contact tyres

COLOUR Blue



A man wearing a black baseball cap and a dark brown t-shirt with a graphic print is sitting on a brick wall. He is holding a professional video camera with a lens cap. The background is a lush green park with trees and grass. The word "FREESTYLE" is written in large, bold, yellow letters across the lower part of the image.

FREESTYLE

Okay, so maybe you can't ride like Dave Dillewaard. Yet. But you can still ride what he rides, no matter what kind of freestyle bike you get. The same technology that goes into Dave's bike trickles down to all of our bikes. Stuff like micro-sized gearing and mid-sized bottom brackets. So no matter who you are, you can still be like Dave. Sorta.



PERFORMER

FRAME New GT street design, 3 main tubes
cro-moly, mid-sized BB

FORK GT BMX freestyle design, forged dropouts

CRANKS GT tubular cro-moly, 3-piece

WHEELS/TYRES Alex G-22 rims, Kenda
Kiniption tyres

COLOUR Matte brown



PERFORMER

FRAME New GT street design, 3 main tubes
cro-moly, mid-sized BB

FORK GT BMX freestyle design, forged dropouts

CRANKS GT tubular cro-moly, 3-piece

WHEELS/TYRES Alex G-22 rims, Kenda
Kiniption tyres

COLOUR White



AIR

FRAME New BMX Street design

FORK GT BMX freestyle design fork

CRANKS GT forged, 1-piece

WHEELS/TYRES Mag wheels, GT Air Bags tyres

COLOUR White



COMPE

FRAME New GT freestyle/street design with cro-moly down tube and mid size BB shell

FORK GT BMX freestyle design, forged dropouts

CRANKS GT tubular cro-moly, 3-piece

WHEELS/TYRES Alex G-303 rims, Kenda Kiniption tyres

COLOUR Green and matte grey



ZONE

FRAME New GT BMX street design, cro-moly seat tube

FORK GT BMX freestyle design

CRANKS GT forged, 3-piece

WHEELS/TYRES Alex G-303 rims, Kenda Kiniption tyres

COLOUR Black and matte blue



SLAMMER

FRAME New GT BMX street design

FORK GT BMX freestyle design

CRANKS Forged steel one-piece crank

WHEELS/TYRES Alex G-303 rims, GT
AirBag tyres

COLOUR Matte black and blue



MACH ONE PRO

FRAME New GT BMX single downtube design

FORK GT BMX design cro-moly fork

CRANKS GT forged steel, 3-piece

WHEELS/TYRES Aluminium rims, GT wing
design tyres

COLOUR Semi gloss black and tan





MACH ONE EXPERT

FRAME New GT BMX single downtube design

FORK GT BMX design fork

CRANKS GT forged steel, 1-piece

WHEELS/TYRES 20" Aluminium rims, GT wing design tyres

COLOUR Blue

MACH ONE JR

FRAME GT BMX dirt jumping

FORK GT BMX design

CRANKS GT forged steel, 1-piece

WHEELS/TYRES 16" Alloy rims, GT wing design tyres

COLOUR Black, yellow



MACH ONE MINI

FRAME GT BMX dirt jumping

FORK GT BMX design

CRANKS GT forged steel, 1-piece

WHEELS/TYRES 12" Alloy rims, GT wing design tyres

COLOUR Blue, red





LOLA™ 20

FRAME New aluminium frame design with lower stand-over

FORK Steel uni-crown design

CRANKSET GT forged steel, 1-piece

BRAKES Alloy side-pull caliper

COLOURS Pink, blue

LOLA™ 16

FRAME New Steel frame design with lower stand-over

FORK Steel uni-crown design

CRANKSET GT forged steel, 1-piece

BRAKES Coaster brake hub

COLOURS Pink, blue



LOLA™ 12

FRAME New aluminium frame design with lower stand-over

FORK Steel uni-crown design

CRANKSET GT forged steel, 1-piece

BRAKES Freewheel

COLOURS Pink, blue



ALL MOUNTAIN
CROSS COUNTRY

MODEL	FORCE CARBON EXPERT	FORCE 1.0	FORCE 2.0	FORCE 3.0	MARATHON CARBON TEAM
SIZES	S, M, L, XL	XS, S, M, L, X	XS, S, M, L, X	S, M, L, XL	S, M, L
FRAME	GT designed carbon monocoque frame with Independent Drivetrain suspension. 6.0 inches of rear wheel travel. With forged I-link, standardized bearings and modular dropout system.	GT designed 6061 Monocoque frame with Independent Drivetrain suspension. 6.0 inches of rear wheel travel. With new forged I-link, standardized bearings and modular dropout system.	GT designed 6061 Monocoque frame with Independent Drivetrain suspension. 6.0 inches of rear wheel travel. With new forged I-link. Standardized bearings and modular dropout system.	GT designed 6061 Monocoque frame with Independent Drivetrain suspension. 6.0 inches of rear wheel travel. With new forged I-link. Standardized bearings and modular dropout system.	GT I drive 4 monocoque carbon fiber front triangle and rear triangle with 4 inches of travel. Integrated headset and main pivot bearings. Internal cable routing.
FORK	Fox TALAS 32 R with QR 15 through axle system adjustable travel from 110 - 150mm with air spring pressure and rebound adjust with 7050 aluminium steerer	Fox Float 32 R with QR 15 through axle system 5.5"/140mm travel with air spring pressure and rebound adjust with 7050 aluminium steerer	Rock Shox Revelation 5.5" / 140mm travel, Air sprung with rebound damping adjust with 7050 aluminium steerer	SR MAG 32 with 140 mm travel, air sprung with aluminium steerer, magnesium towers and 7050 upper tubes, rebound damping adjustable	FOX 32 RL with 120mm of travel, rebound adjust and remote lock out
REAR SHOCK	Fox Float RP23 Shock	Fox Float RP23 Shock	Fox Float R Shock	Rock Shox BAR 2.1 7.5 x 2, air sprung with rebound damping adjust	Fox Float RP23 with rebound adjust lock out and adjustable pro pedal
CRANKSET	Shimano XT FC-M770 Hollowtech 2 44/32/22	Shimano XT FC-M770 Hollowtech 2 44/32/22	Truvativ Stylo GXP 44/32/22	FSA Alpha Drive 44/32/22	Shimano XTR. 2 piece design, 22, 32, 44
BB	Shimano XT Outboard	Shimano XT Outboard	Truvativ GXP Outboard	FSA sealed cartridge	Shimano XTR outboard oversize bearings
PEDALS	N/A	N/A	Shimano PDM -520	Shimano PDM -520	N/A
FRONT DER	Shimano XT	Shimano XT	SRAM X9	Shimano Deore	Shimano XTR
REAR DER	Shimano Shadow XT	Shimano Shadow XT	SRAM X9	Shimano Deore	Shimano XTR "Shadow"
SHIFTER	Shimano XT	Shimano XT	SRAM X9 9 speed	Shimano Deore 9-speed	Shimano XTR trigger
CASSETTE	Shimano XT 11-34t	Shimano XT 11-34t	Shimano 9-speed, 11-34 with forged spider	SRAM PG-950 9-speed, 11-32	Shimano XTR Nine speed index cassette 11-32
RIMS	Mavic XM-719 DISC, welded with stainless steel eyelets	Mavic XM-719 DISC, welded with stainless steel eyelets	WTB Speed Disc, 32 hole, black anodized, for presta valve.	WTB SX-24, 32 hole, black anodized, for presta valve.	Mavic Cross Max SLR Disc for Centerlock, with SUP welded Maxtal ISM rim, 24 Alloy Zicral spokes fnt and rr with alum nipples, 1502 grams / pair
TYRES	Front: 26"x 2.3 Kenda Nevgal, 120 tpi with Kevlar bead, Rear: same only 2.1	Front: 26"x 2.3 Kenda Nevgal, 120 tpi with Kevlar bead, Rear: same only 2.1	Front: 26"x 2.3 Kenda Nevgal, 120 tpi with Kevlar bead, Rear: same only 2.1	Front: 26"x 2.3 Kenda Nevgal, 120 tpi with Kevlar bead, Rear: same only 2.1	Kenda Karma, 26x 2.0 120 TPI with Kevlar bead and DTC compound
HUBSET	Shimano XT centerlock disc for 15 mm through axle system	Shimano XT centerlock disc for 15 mm through axle system	Shimano Deore 6 bolt disc	Shimano 6 bolt Disc	Mavic Crossmax SLR for Centerlock Disc
SPOKES	DT Swiss 1.8 stainless steel	DT Swiss 1.8 stainless steel	DT Swiss 1.8 stainless steel	DT Swiss 1.8 stainless steel	Mavic
BRAKE SET	Shimano XT Disc, 180mm rotor	Shimano XT Disc, 180mm rotor	Avid Juicy 3 180mm rotor	Tektro Auriga Pro Hydraulic, forged two piston caliper with mineral oil 180mm rotor	XTR Centerlock Disc 160mm rotor
HANDLEBAR	Ritchey Pro Rizer Alloy 31.8 clamp, low rise	Ritchey Pro Rizer Alloy 31.8 clamp, low rise	Ritchey Pro Rizer Alloy 31.8 clamp, low rise	GT 31.8mm Riser	Ritchey Carbon WCS lo rizer with 10 mm rise, 8 degree sweep and 3 degree tip
STEM	Thompson Elite X4	Ritchey 31.8 clamp, 3-D forged	Ritchey 31.8 clamp, 3-D forged	GT over size four bolt	Ritchey 4 Axis MTB stem with CNC machining and 4 bolt face plate
HEADSET	FSA integrated sealed bearing	FSA Orbit X 1 1/8" forged cups, sealed bearings	FSA Orbit X 1 1/8" forged cups, sealed bearings	FSA Orbit X 1 1/8" forged cups, sealed bearings	FSA Integrated, sealed angular contact bearing
SADDLE	FIZIK Gobi XM with manganese rails	WTB Rocket V SLT	WTB Rocket V Comp with Cr-mo rails	WTB Pure V	FIZIK Gobi XM with Manganese Rails
SEAT POST	Thompson Elite	Ritchey Comp Post	Ritchey Comp Post	GT alloy	Thompson Elite

CROSS COUNTRY

MODEL	MARATHON CARBON PRO	MARATHON CARBON EXPERT	MARATHON ELITE	MARATHON SPORT	ZASKAR CARBON TEAM
SIZES	S, M, L, XL	XS, S, M, L, XL	S, M, L, XL	XS, S, M, L, XL	M, L
FRAME	GT I drive 4 monoque carbon fiber front triangle and rear triangle with 4 inches of travel. Integrated headset and main pivot bearings. Internal cable routing.	GT I drive 4 monoque carbon fiber front triangle and rear triangle with 4 inches of travel. Integrated headset and main pivot bearings. Internal cable routing.	GT I drive 4 6061 heat treated full suspension frame with 4 inches of rear wheel travel. Integrated headset and main pivot bearings. Internal cable routing.	GT I drive 4 6061 heat treated full suspension frame with 4 inches of rear wheel travel. Integrated headset and main pivot bearings.	GT design, force optimized, full monoque carbon frame with replaceable der hanger
FORK	FOX 32 RL with 120mm of travel, rebound adjust and remote lock out	Rock Shox RECON 335 Air, 120 mm travel, with aluminium steerer rebound adjust and motion control.	Rock Shox RECON 335 Air, 120 mm travel, with aluminium steerer rebound adjust.	Suntour Mag 32 air , 120 mm of travel with rebound adjust and lock out, 7050 upper tubes, and mag lowers	FOX 32 RL with 100mm of travel, rebound adjust and remote lock out
REAR SHOCK	Fox Float RP23 with rebound adjust lock out and adjustable pro pedal	Fox Float R Shock with rebound adjust	Fox Float R Shock with rebound adjust	Fox Float R Shock with rebound adjust	N/A
CRANKSET	Shimano XT, with Hollowtech 2 piece arm and bb,	Shimano SLX, with Hollowtech 2 piece arm and bb,	Shimano SLX, with Hollowtech 2 piece arm and bb,	Shimano 9 speed crank 44, 32, 22	Shimano XTR, 2 piece design, 22, 32, 44
BB	Shimano XT out board sealed bearings	Shimano SLX out board sealed bearings	Shimano SLX out board sealed bearings	Shimano Octalink sealed cartrdge BB	Shimano XTR outboard oversize bearings
PEDALS	N/A	Crank Bros Candy C	Crank Bros Candy C	Shimano PDM -520	N/A
FRONT DER	Shimano XT	Shimano SLX	Shimano Deore SLX	Shimano Deore	Shimano XTR
REAR DER	Shimano XT "Shadow"	Shimano SLX	Shimano Deore SLX	Shimano Deore	Shimano XTR Shadow with Carbon pulley cage
SHIFTER	Shimano XTR trigger	Shimano SLX Trigger separate	Shimano SLX nine speed trigger	Shimano 9 speed	Shimano XTR trigger
CASSETTE	Shimano XT Nine speed index cassette 11-32	Shimano SLX Nine speed index cassette 11-32	Shimano SLX 9-speed, 11-34	SRAM Nine speed index cassette 11-32	Shimano XTR Nine speed index cassette 11-32
RIMS	Mavic CrossTrail for Centerlock Disc	Mavic Crossride for Centerlock Disc	WTB Speed Disc XC with single eyelets	WTB SX-24, double wall for Disc only Black anodized	Mavic SLR Disc for Centerlock, with SUP welded Maxtal ISM rim, 24 Alloy Zicral spokes fnt and rr with alum nipples, 1502 grams / pair
TYRES	Kenda Karma, 26x 2.0 120 TPI with Kevlar bead and DTC compound	Kenda Karma, 26x 2.0 120 TPI with Kevlar bead and DTC compound	Front: 26"x 2.3 Kenda Nevegal 120 TPI with kevlar bead, Rear: same only 2.1	26"x 2.1 Kenda Nevegal	Front: 26"x 2.0 Kenda Karma 120 TPI with kevlar bead, Rear: same only 2.1
HUBSET	Mavic CrossTrail for Centerlock Disc	Mavic Crossride for Centerlock Disc	Shimano Deore For 6 bolt	Shimano disc	Mavic SL Disc for Centerlock
SPOKES	Mavic	Mavic	DT Swiss stainless steel	Stainless steel 14 gauge	Mavic Alloy Zicral spokes
BRAKE SET	NEW Shimano XT Hydraulic	Shimano SLX Hydraulic	Avid Juicy 3 Hydraulic	Tektro Auriga Comp hydraulic with 160mm rotor	XTR Centerlock Disc 160mm rotor
HANDLEBAR	Ritchey Pro Lo Rizer butted 2014 alum, 31.8 mm clamp, 680 mm width 15mm rise, 6/9 deg sweep	Ritchey Pro Lo Rizer butted 2014 alum, 31.8 mm clamp, 680 mm width 15mm rise, 6/9 deg sweep	Ritchey 6061 butted alum, 31.8 mm clamp, 680 mm width 25mm rise, 8 deg sweep	GT OE Oversize Riser bar with 35mm rise and 7 degree bend	Ritchey Carbon WCS Flat with 31.8 mm clamping area.
STEM	Ritchey Pro cold forged stem, with 6 degree rise, and 4 bolt face plate	Ritchey Pro cold forged stem, with 6 degree rise, and 4 bolt face plate	Ritchey 6061 cold forged stem, with 6 degree rise, and 4 bolt face plate	GT 4 bolt face with Tig welded extension and 31.8mm clamp	Ritchey 4 Axis MTB stem with CNC machining and 4 bolt face plate
HEADSET	FSA Integrated, sealed angular contact bearing	FSA Integrated, sealed angular contact bearing	FSA Integrated, sealed angular contact bearing	FSA Integrated, sealed angular contact bearing	FSA Integrated, sealed angular contact bearing
SADDLE	FIZIK Gobi XM with Manganese Rails	FIZIK Gobi XM with Manganese Rails	WTB Rocket V Comp with CrMo rail and Kevlar shoulders	WTB Speed V	FIZIK Gobi XM with Manganese Rails
SEAT POST	Ritchey 31.8mm 3 D forged	Ritchey 31.8mm 3 D forged	Ritchey 31.8mm 3 D forged	SL Alloy Micro adjust	Thompson Elite

CROSS COUNTRY

MODEL	ZASKAR CARBON PRO	ZASKAR CARBON EXPERT	ZASKAR EXPERT	AVALANCHE EXPERT	AVALANCHE 1.0 DISC
SIZES	S, M, L, X	XS, S, M, L, XL	XS, S, M, L, XL	S, M, L, XL	XS, S, M, L, XL
FRAME	GT design, force optimized, full monocoque carbon frame with replaceable der hanger	GT design, force optimized, full monocoque carbon frame with replaceable der hanger	GT NEW design hydroformed Kinesis Superlight custom tube-set Machined Head tube, disc compatible	GT Triple Triangle design 6061 butted aluminium with new hydroformed downtube and top tube, zero stack headtube. Disc compatible with removeable der. Hanger	GT Triple Triangle design 6061 butted aluminium with hydroformed downtube, zero stack headtube. Disc compatible with removeable der. Hanger
FORK	FOX 32 RL with 100mm of travel, rebound adjust and remote lock out	Rock Shox RECON RACE, 100mm of travel, 7050 al steerer, Air sprung with rebound damping and motion control	Rock Shox RECON RACE, 100mm of travel, 7050 al steerer, Air sprung with rebound damping and motion control	Rock Shox TORA 302 , u-turn 65-135 mm of travel with rebound adjustment, with lock out.	Rock Shox Dart 3, 100mm travel, preload adjust with magnesium lowers, external rebound adjust and Turn-Key lock-out
REAR SHOCK	N/A	N/A	N/A	N/A	N/A
CRANKSET	Shimano XT, with Hollowtech 2 piece arm and bb,	Shimano SLX, with Hollowtech 2 piece arm and bb,	Shimano SLX, with Hollowtech 2 piece arm and bb,	Shimano MC-542- two piece hollow tech, with alloy outer ring	FSA Alpha Drive 44/32/22
BB	Shimano XT out board sealed bearings	Shimano SLX out board sealed bearings	Shimano SLX out board sealed bearings	Shimano outboard	FSA Sealed Bearing Cartridge
PEDALS	N/A	Crank Bros Candy C	Crank Bros Candy C	Shimano PDM-520 clipless pedal with cleats	Wellgo M21 pedal
FRONT DER	Shimano XT	Shimano Deore SLX	Shimano Deore SLX	Shimano SLX	Shimano Deore
REAR DER	Shimano XT Shadow	Shimano Deore SLX	Shimano Deore SLX	Shimano XT Shadow	Shimano XT Shadow
SHIFTER	Shimano XTR trigger	Shimano SLX nine speed trigger	Shimano SLX nine speed trigger	Shimano SLX nine speed	Shimano Deore 9 speed separate
CASSETTE	Shimano XT Nine speed index cassette 11-32	Shimano SLX 9-speed, 11-32	Shimano SLX 9-speed, 11-32	SRAM Nine speed index cassette 11-32	SRAM Nine speed index cassette 11-32
RIMS	Mavic CrossTrail Disc for Centerlock, with welded Maxtal ISM rim, QRM sealed bearing hubs, 24 holes front and rear	Mavic CrossRide Disc for Centerlock, with straight pull bladed spokes, QRM sealed bearing hubs, 24 holes front and rear	Mavic CrossRide Disc for Centerlock, with straight pull bladed spokes, QRM sealed bearing hubs, 24 holes front and rear	WTB Speed Disc XC	WTB SX-24 ATB black anodized
TYRES	Front: 26"x 2.0 Kenda Karma 120 TPI with kevlar bead, Rear: same only 2.1	Front/Rear 26"x 2.0 Kenda Karma 120 TPI with kevlar bead	Front/Rear 26"x 2.0 Kenda Karma 120 TPI with kevlar bead	Kenda Nevegal, 26 x 2.1 120tpi kevlar with DTC compound	Kenda Nevegal, 26 x 2.1
HUBSET	Mavic CrossTrail Disc for Centerlock	Mavic CrossRide Disc	Mavic CrossRide Disc	Shimano Deore Disc	Shimano Disc
SPOKES	Mavic, straight pull bladed spokes	Mavic, straight pull bladed spokes	Mavic, straight pull bladed spokes	DT Swiss Stainless steel 14 gauge	Stainless steel 14 gauge
BRAKE SET	Shimano XT Hydraulic	Shimano SLX Hydraulic	Shimano SLX Hydraulic	Avid Juicy 3	Tektro Auriga comp, hydraulic, dual piston, cold forged
HANDLEBAR	Ritchey Pro butted 2014 alum, Flat, 31.8 mm clamp, 680 mm width,	Ritchey Pro butted 2014 alum, Flat, 31.8 mm clamp, 680 mm width,	Ritchey Pro butted 2014 alum, Flat, 31.8 mm clamp, 680 mm width,	GT Mtn Riser, 6061 heat treated, 31.8 mm clamp	GT Mtn Riser, 15 mm rise, 6061 heat treated, 31.8 mm clamp
STEM	Ritchey Pro cold forged stem, with 6 degree rise, and 4 bolt face plate	Ritchey 6061 cold forged stem, with 6 degree rise, and 4 bolt face plate	Ritchey 6061 cold forged stem, with 6 degree rise, and 4 bolt face plate	GT ATB, threadless 25 degree rise with four bolt alum CNC face plate for 31.8mm	GT ATB, 31.8mm bar bore threadless 15 degree rise with four bolt alum face plate
HEADSET	FSA Integrated, sealed angular contact bearing	FSA Integrated, sealed angular contact bearing	FSA Integrated, sealed angular contact bearing	Zero Stack system for 1 1/8"	Tange system for 1 1/8"
SADDLE	FIZIK Gobi XM with Manganese Rails	FIZIK Gobi XM with Manganese Rails	FIZIK Gobi XM with Manganese Rails	WTB Rocket V Comp with CrMo rail and Kevlar shoulders	WTB Pure V, with stitched cover and protective corners
SEAT POST	Ritchey 31.6mm 3 D forged	Ritchey 31.6mm 3 D forged	Ritchey 31.6mm 3 D forged	Alloy Micro adjust	Alloy Micro adjust

CROSS COUNTRY

MODEL	AVALANCHE 2.0 DISC	AVALANCHE 3.0 DISC	OUTPOST DISC	OUTPOST	AGGRESSOR
SIZES	XS, S, M, L, XL,	XS, S, M, L, XL,	XS, S, M, L, XL	XS, S, M, L, XL	XS, S, M, L, XL
FRAME	GT Triple Triangle design 6061 butted aluminium with hydroformed downtube, zero stack headtube. Disc compatible with removeable der. Hanger	GT Triple Triangle design 6061 aluminium with Hydro formed downtube, zero stack headtube. Disc compatible with removeable der. hanger	6061, Triple Triangle, with Dirt Worthy Geometry, disc compatible with removeable hanger (24 inch wheel not removable)	6061, Triple Triangle, with Dirt Worthy Geometry, disc compatible with removeable hanger (24 inch wheel not removable)	6061, Triple Triangle, with Dirt Worthy Geometry, disc compatible with removeable hanger (24 inch wheel not removable)
FORK	Suntour XCR-LO hydraulic fork with cr-mo 30 mm stanchions, magnesium lowers, preload adjust, 100 mm of travel and lock out	SR Suntour XCM one piece aluminium lowers with disc mount and preload adjustment, 100 mm travel with lock out	SR M 2025, alloy crown with 75 mm travel	SR M 2025, alloy crown with 75 mm travel	SR M 2025, alloy crown with 75 mm travel
REAR SHOCK	N/A	N/A	N/A	N/A	N/A
CRANKSET	Shimano FC-M311 42/32/22	Suntour XCT-302, 42,32,22 for eight speed	Suntour XCC-T02, 42,32,22	Suntour XCC-T02, 42,32,22	Suntour XCC-T02, 42,32,22
BB	Shimano Cartridge Sealed	Cartridge Sealed	Cartridge Sealed, square taper	Cartridge Sealed, square taper	Cartridge Sealed, square taper
PEDALS	ATB Aluminium body, Steel cage, toe clip compatible	High Impact nylon MTB with Steel Cage	High Impact nylon platform	High Impact nylon platform	High Impact nylon platform
FRONT DER	Shimano M -330	Shimano M -330	Shimano C-050	Shimano C-050	Shimano TY-10
REAR DER	Shimano SLX Top- Normal	Shimano Alivio	Shimano Acera	Shimano Acera	Shimano TX-50
SHIFTER	Shimano 8 speed rapidfire shifters	Shimano 8 speed rapidfire shifters	Shimano ST-EF50 8 speed EZ fire shifters	Shimano ST-EF50 8 speed EZ fire shifters	Shimano ST-EF50 7 speed EZ fire shifters
CASSETTE	Shimano Eight Speed, 11-32 ratio	Shimano Eight Speed, 11-32 ratio	Shimano Eight Speed Cassette, 11-32 ratio	Shimano Eight Speed Cassette, 11-32 ratio	Shimano 7 Speed 14-28 HG
RIMS	Jalco AX-430 Alloy double wall ATB	Alex ASD-1 double wall, anodized black	Alloy ATB, black anodized	Alloy ATB, black with silver sidewall	Alloy ATB, black with silver sidewalls
TYRES	Kenda Nevegal, 26 x 2.1	Kenda Nevegal, 26 x 2.1	ATB Dual purpose, 27 TPI 26 x 2.1	ATB Dual purpose, 27 TPI 26 x 2.1	ATB Dual purpose, 27 TPI 26 x 2.1
HUBSET	Alloy QR for Disc	Alloy QR for Disc	Alloy QR for Disc	Alloy QR	Alloy QR
SPOKES	Stainless steel 14 gauge	Stainless steel 14 gauge	Stainless steel 14 gauge	Stainless steel 14 gauge	Stainless steel 14 gauge
BRAKE SET	Tektro Aquila Disc, mechanically activated, with Shimano compatible brake pads	Tektro IO, cable actuated disc brake,	Pro-Max Cable actuated Disc	Radius linear pull brake	Radius linear pull brake
HANDLEBAR	Alum. 31.8 mm 20 mm Rise, 6 degree bend, anatomically sized	Alum. 31.8 mm 20 mm Rise, 6 degree bend, anatomically sized	20 mm Rise, 6 degree bend, anatomically sized	20 mm Rise, 6 degree bend, anatomically sized	20 mm Rise, 6 degree bend, anatomically sized
STEM	GT ATB, 31.8mm bar bore threadless 15 degree rise with four bolt alum face plate	GT ATB, 31.8mm bar bore threadless 15 degree rise with four bolt alum face plate	GT ATB, threadless 25 degree rise with four bolt alum face plate	GT ATB, threadless 25 degree rise with four bolt alum face plate	GT ATB, threadless 25 degree rise with four bolt alum face plate
HEADSET	Tange Seiki system for 1 1/8"	Tange Seiki system for 1 1/8"	Aheadset Threadless	Aheadset Threadless	Aheadset Threadless
SADDLE	WTB Pure V, with stitched cover and protective corners	WTB Speed V	GT Custom MTN with anatomic pressure relief	GT Custom MTN with anatomic pressure relief	GT Custom MTN with anatomic pressure relief
SEAT POST	Alloy Micro adjust	Alloy Micro adjust	Alloy Micro adjust	Alloy Micro adjust	Alloy Micro adjust

CROSS COUNTRY

DIRT JUMPING

MODEL	LAGUNA	RUCKUS DX	RUCKUS SX	RUCKUS UF	CHUCKER 1.0
SIZES	S, M	S, M	S, M	M	M
FRAME	6061, Triple Triangle, with Dirt Worthy Geometry, disc compatible with removeable hanger	'09 GT Ruckus design, DJ geometry, 6061 AL, GT bolt-on dropouts, standard 1-1/8" head tube, custom formed top tube and down tube, ISCG mount on BB shell	NEW GT Ruckus design, DJ geometry, 6061 AL, GT bolt-on dropouts, 1-1/8" head tube, custom formed top tube and down tube, ISCG mount on BB shell	GT Urban Freeride design, cr-mo tubes, euro BB, standard 1-1/8" head tube, disc brake, small BMX style dropouts	'09 GT Chucker design, low stand-over height, 7005 aluminium, geometry for 4" travel fork, oversize formed down tube, HD rear entry dropouts, HD 1-1/8" head tube
FORK	SR M 2025, alloy crown with 75 mm travel	Marzocchi Dirt Jumper 2, 100mm travel, coil spring with air preload, adjustable hydraulic damping, 32mm cr-mo stanchions and steerer tube, mag lower blades, 20mm through-axle	Marzocchi Dirt Jumper 2, 100mm travel, coil spring with air preload, adjustable hydraulic damping, 32mm Cr-Mo stanchions and steerer tube, magnesium lower legs, 20mm through-axle	Suntour Duro D, 80mm travel, coil spring, hydraulic damping, preload adjust, 32 mm cr-mo stanchions, mag lower blades	Suntour Duro D, 100mm travel, mag lowers, 32 mm cr-mo stanchions, hydraulic damping, external preload adjustment,
REAR SHOCK	N/A	N/A	N/A	N/A	N/A
CRANKSET	Suntour XCC-T02, 42,32,22	FSA Gravity Moto X Mega XO, forged 6061, 2pc. design with integrated cr-mo axle, HT cr-mo 36T single ring, 10mm clear PC bash ring	FSA Gravity Maximus DH, forged 6061, Cr-Mo 36T single ring, 10mm clear PC bash ring	Improved GT tubular cr-mo 3 piece, 8 spline, double bolt clamping, 175mm, GT CNC 28T chainwheel	Truvativ Ruktion, aluminium, splined axle interface, steel pedal inserts, 170mm, 32 x 22, Bashring
BB	Cartridge Sealed, square taper	Mega EXO cartridge sealed bearing	Cartridge sealed bearing, Cr-Mo ISIS axle	Cartridge sealed bearing (4), alloy cups, 8 spline cr-mo axle	Truvativ Howitzer XR, cr-mo splined axle, oversize sealed bearings, alloy cups
PEDALS	High Impact nylon platform	GT Alum Platform with cr-mo spindles	GT Aluminium Platform with Cr-Mo spindles	GT Alum Platform with cr-mo spindles	GT Alum Platform with cr-mo spindles and cr-mo pins
FRONT DER	Shimano TY-10	N/A	N/A	N/A	SRAM, 3.0
REAR DER	Shimano TX-50	SRAM X-7, Med cage length	SRAM X-5, Med cage	N/A	SRAM X-5, Med cage length
SHIFTER	Shimano ST-EF50 7 speed EZ fire shifters	SRAM, SL X-7 trigger type	SRAM X-5 trigger type	N/A	SRAM, X5 9-speed trigger type
CASSETTE	Shimano 7 Speed 14-28 HG	SRAM, Powerglide II, 9 speed, 11-28	*SRAM Powerglide II, 9 speed	14T cog	SRAM, Powerglide II, 9 speed, 11-32
RIMS	Alloy ATB, black with silver sidewalls	Sun Equalizer 31, double wall, eyelets, 36H	Alex FR 32, Double Wall, eyelets, 36H	Alex FR 32, double wall with eyelets, 36H	Jalco, DD32, double wall, disc specific design
TYRES	ATB Dual purpose, 27 TPI 26 x 2.1	Front /Rear Kenda Nevegal, 2.35"	Kenda Nevegal, 26 x 2.35"	Front /Rear Kenda K-Rad, 2.3", 60PSI	Front /Rear Kenda Kinetics, 2.35"
HUBSET	Alloy QR	Alloy, disc type, sealed bearing, 20mm through axle	9-speed cassette, sealed bearings, QR axle, 135mm spacing	Alloy, disc type, nutted axle	Alloy, disc type, nutted axle
SPOKES	Stainless steel 14 gauge	Stainless 14 gauge	Stainless Steel, 14 gauge	Stainless 14 gauge	Stainless 14 gauge
BRAKE SET	Pro-Max linear pull brake	Hayes, Stroker Ryde, dual piston hydraulic disc, V8 160mm rotor	Avid Juicy 3, dual piston hydraulic disc, 160mm rotor	Tektro, Auriga Comp hydraulic dual piston disc, 160mm rotor	Tektro Auriga Comp, hydraulic disc
HANDLEBAR	20 mm Rise, 6 degree bend, anatomically sized	Kore, Torsion BFD, butted 6061, 35mm rise, 31.8 OD.	GT design, 6061, 9 degrees sweep, 4 degrees tip, 40mm rise, 31.8 OD.	GT design, heat treated 4130 cr-mo, 75mm rise, 22.2mm OD.	Alloy, 31.8mm O.D., 73mm rise
STEM	GT ATB, threadless 25 degree rise with four bolt alum face plate	Kore, B52, 3-D forged 6061, 0 degree rise, 50mm extension	GT design, forged 6061, 7 degree rise, 50mm extension	Cold forged BMX style, 4-bolt front loading H/bar clamp, 42mm extension	Forged alloy freeride design, 10 degree rise, 50mm extension, 31.8mm clamp
HEADSET	Aheadset Threadless	TH Mallet, standard press-in 1-1/8" cups, cr-mo lower cup, cage bearings	TH Mallet, standard press-in 1-1/8" cups, Cr-Mo lower cup, cage bearings	TH Mallet, standard press-in 1-1/8" cups, cr-mo lower cup, cage bearings	Semi integrated, ball type
SADDLE	GT Custom MTN with anatomic pressure relief	SDG,Bel-Air ST I-Beam, stitched cover	SDG Bel-Air ST I-Beam, stitched cover	SDG, Sky-Light I-Beam, stitched cover	SDG Bel Air, stitched cover, guards front and rear, 7mm rails
SEAT POST	Alloy Micro adjust	SDG, I-Beam, AL 6061, 25.4mm	SDG I-Beam, AL 6061, 25.4mm	SDG, I-Beam, AL 6061, 25.4mm	Aluminium, double bolt micro adjust

DIRT JUMPING
PERFORMANCE ROAD

MODEL	CHUCKER 2.0	CHUCKER 3.0	PEACE 9R	PEACE 26	GTR CARBON TEAM	GTR CARBON PRO
SIZES	M	M	S, M, L	S, M, L	S, M, L, XL	S, M, L, XL
FRAME	'09 GT Chucker design, low stand-over height, 7005 aluminium, geometry for 4" travel fork, oversize formed down tube, HD rear entry dropouts, HD 1-1/8" head tube	Second generation Chucker design, 7005 aluminium, mono stay triple triangle, oversize formed down tube, replaceable der. Hanger, semi integrated head tube, rectangular chain stays	New '09 GT Triple Triangle 29" design, Reynolds 520 butted tube set, Euro BB shell, investment cast horizontal slotted dropouts with integrated chain adjuster, standard 1-1/8" head tube, disc brake	New '09 GT Triple Triangle 26" design, Reynolds 520 butted tube set, Euro BB shell, investment cast horizontal slotted dropouts with integrated chain adjuster, standard 1-1/8" head tube, disc brake	New GTR full carbon monocoque frame with integrated seat mast, asymmetric head tube, carbon dropouts, press in low Q Factor BB and new semi compact geo	New GTR full carbon monocoque frame with integrated seat mast, asymmetric head tube, carbon dropouts, press in low Q Factor BB and new semi compact geo
FORK	RST Launch T8, coil +MCU, 100mm travel, 32mm O.D. stanchions, adjustable preload	RST Launch T8, coil +MCU, 100mm travel, 32mm O.D. stanchions, adjustable preload	GT design, 4130 cr-mo rigid XC fork with 31.8mm tapered blades, 1-1/8" steerer tube, disc mounting, investment cast dropouts	GT design, 4130 cr-mo rigid XC fork with 31.8mm tapered blades, 1-1/8" steerer tube, disc mounting, investment cast dropouts	New GT full carbon with tapered steerer and carbon dropouts.	New GT full carbon with tapered steerer and carbon dropouts.
REAR SHOCK	N/A	N/A	N/A	N/A	N/A	N/A
CRANKSET	Truvativ Ruktion, aluminium, splined axle interface, steel pedal inserts, 170mm, 32 x 22, Bashing	ProWheel, Pionner SS, ISIS drive, forged 170mm, 32 x 22 with 3mmT. Bashing	Truvativ Blaze, forged AL 66, "Howitzer M-15" BB interface, 32T single ring with cnc alloy guard	Truvativ Blaze, forged AL 66, "Howitzer M-15" BB interface, 32T single ring with cnc alloy guard	Dura Ace Compact Crank 50/34 2 piece design	Ultegra Compact Crank 50/34 2 piece design Gray COLOUR
BB	Truvativ Howitzer XR, cr-mo splined axle, oversize sealed bearings, alloy cups	ProWheel, ISIS drive axle, cartridge type	Truvativ, Howitzer M-15 cr-mo axle, sealed bearings, alloy cups	Truvativ, Howitzer M-15 cr-mo axle, sealed bearings, alloy cups	Shimano sealed cartridge press in cups	Shimano sealed cartridge press in cups
PEDALS	GT Alum Platform with cr-mo spindles and cr-mo pins	GT Alum Platform with cr-mo spindles	Bolt-on alloy cage with alloy body	Bolt-on alloy cage with alloy body	N/A	N/A
FRONT DER	SRAM, 3.0	SRAM 3.0	N/A	N/A	Shimano Dura Ace compact	Shimano Ultegra compact
REAR DER	SRAM X-5, Med cage length	SRAM X-4, Med cage length	N/A	N/A	Shimano Dura Ace SS	Shimano Ultegra Gray COLOUR
SHIFTER	SRAM, X-4 REAL trigger type	SRAM, 3.0 Comp twistgrip	N/A	N/A	Shimano Dura Ace STI 10spd	Shimano Ultegra STI 10spd Gray COLOUR
CASSETTE	SRAM, Powerglide II, 8 speed, 11-32	SRAM, Powerglide II, 8 speed, 11-32	18T cog	18T cog	Shimano Dura Ace 10spd 11-25	Shimano 10 spd 12-25
RIMS	Jalco, DDZ, double wall	Alex, Y22, single wall	WTB SpeedDisc All Mt., 29", 26mm wide double wall with eyelets, 32 hole	WTB SpeedDisc All Mt., 26", 26mm wide double wall with eyelets, 32 hole	Mavic R-Sys 10 speed wheelset	Mavic Kysrium SL complete wheelset
TYRES	Front /Rear Kenda Kinetics, 2.35"	Front /Rear Kenda Kinetics, 2.35"	Front /Rear Kenda Nevegal, 29x2.2"	Front /Rear Kenda Nevegal, 26 x 2.35"	Vittoria Rubino 700 x 23 C	Vittoria Rubino 700 x 23 C
HUBSET	Alloy, disc type, nutted axle	Alloy, disc type, nutted axle	Alloy, disc type, QR axle	Alloy, disc type, QR axle	Mavic R-Sys	Mavic Kysrium SL
SPOKES	14 gauge	14 gauge	Stainless 14 gauge	Stainless 14 gauge	Mavic R-Sys	Mavic Kysrium SL
BRAKE SET	ProMax, hydraulic disc	ProMax, mechanical disc	Tektro, Aquila mechanical disc, 160mm wave rotor	Tektro, Aquila mechanical disc, 160mm wave rotor	Shimano Dura Ace Dual pivot	Shimano Ultegra Dual pivot
HANDLEBAR	Alloy, 31.8mm O.D., 73mm rise	Alloy, 31.8mm O.D., 73mm rise	Easton EA-30 Taperwall Monkey Bar, 25.4mm, Mid rise	Easton EA-30 Taperwall Monkey Bar, 25.4mm, Mid rise	Ritchey Logic WCS Carbon Logic II Road Oversize	Ritchey Logic WCS Road Oversize
STEM	Alloy, 10 degree rise, 60mm extension, 31.8mm 4-bolt clamp	Alloy, 10 degree rise, 60mm extension, 31.8mm 4-bolt clamp	Easton EA-30, cold forged, 6 degree rise, 75/90/105	Easton EA-30, cold forged, 6 degree rise, 75/90/105	Ritchey WCS Carbon 4-Axis	Ritchey WCS 4-Axis, 3-d net forged
HEADSET	Semi integrated, ball type	Semi integrated, ball type	TH, standard press-in 1-1/8" alloy cups, cage bearings	TH, standard press-in 1-1/8" alloy cups, cage bearings	TH sealed bearing	TH sealed bearing
SADDLE	Velo dirt/street design, guards front and rear, 8mm rails with brace, two piece stitched cover	Velo dirt/street design, guards front and rear, 8mm rails with brace, two piece stitched cover	WTB Pure V Race, stitched cover, 7mm cr-mo rails	WTB Pure V Race, stitched cover, 7mm cr-mo rails	Fizik Arione with braided carbon rail	Fizik Arione with Magnesium Rails
SEATPOST	Aluminium, double bolt micro adjust	Aluminium	Easton EA30, 3D cold forged 6061, 2 bolt micro-adjust	Easton EA30, 3D cold forged 6061, 2 bolt micro-adjust	Integrated	Integrated

PERFORMANCE ROAD

MODEL	GTR CARBON EXPERT	GTR CARBON SPORT	GTR SERIES 1	GTR SERIES 2	GTR SERIES 3	GTR SERIES 4
SIZES	S, M, L, XL	XS, S, M, L, XL	XS, S, M, L, XL	S, M, L, XL	S, M, L, XL	XS, S, M, L, XL
FRAME	New GTR full carbon monocoque frame with asymmetric head tube, carbon dropouts, press in low Q Factor BB and new semi compact geometry	New GTR full carbon monocoque frame with asymmetric head tube, carbon dropouts, press in low Q Factor BB, and new semi compact geo	New GTR compact design with smooth welded Hydroformed Kinesis 6061 butted tubing and carbon seat stays	New GTR compact design with smooth welded Hydroformed Kinesis 6061 butted tubing and carbon seat stays	New GTR compact design with smooth welded Hydroformed Kinesis 6061 butted tubing	New GTR compact design with smooth welded Hydroformed Kinesis 6061 butted tubing
FORK	New GT full carbon with tapered steerer and carbon dropouts	New GT full carbon with tapered steerer and carbon dropouts.	GT Carbon with 1-1/8" threadless Carbon steerer	GT Carbon with 1 1/8" threadless Aluminium steerer	GT Carbon with 1 1/8" threadless Aluminium steerer	GT Carbon with 1 1/8" threadless steerer
REAR SHOCK	N/A	N/A	N/A	N/A	N/A	N/A
CRANKSET	Ultegra Compact Crank 50/34, 2 piece design Gray	Shimano 105 10 speed with 34/50 chainrings	Ultegra Compact Crank 50/34, 2 piece design Gray	FSAGossamer Mega EXO Crank 50/34 2 piece design	Shimano Tiagra compact 50/34, 2 piece design	FSA Vero Compact 50/39
BB	Shimano sealed cartridge press in cups	Shimano sealed cartridge press in cups	Shimano outboard	FSA Out Board Sealed	Shimano outboard	Sealed Cartridge
PEDALS	N/A	N/A	n/a	N/A	Low Profile Nylon w/ Toe Clips	Low Profile Nylon w/ Toe Clips
FRONT DER	Shimano Ultegra compact	Shimano 105 for Compact	Shimano compact	Shimano 105 Compact	Shimano compact	Shimano Compact
REAR DER	Shimano Ultegra Gray	Shimano 105 SS 10 speed	Shimano Ultegra Gray color	Shimano 105	Shimano Tiagra	Shimano Sora
SHIFTER	Shimano Ultegra STI - 10spd Gray	Shimano 105 STI 10 spd	Shimano Ultegra STI, 10 speed Gray	Shimano 105 STI 10spd	Shimano Tiagra STI 9 spd	Shimano STI 8 spd
CASSETTE	Shimano CS- 6600 Ultegra 10spd 11 - 25 T	Shimano 10 spd 12-25	Shimano 10 speed 11 - 25 T	Shimano 105 10 spd 11-25	Shimano 9 spd 11-25	Shimano HG-50 8 spd 12-25
RIMS	Mavic Kysrium Elite complete wheelset	Mavic CXP-22, black anodized with silver sidewalls	Mavic Aksium complete wheelset	Mavic CXP-22., black anodized with silver sidewalls	Alex D22., black anodized with silver sidewalls	Alex R500., black anodized with silver sidewalls
TYRES	Vittoria Rubino 700 x 23 C	Vittoria Zaffiro 700 x 23 C	Vittoria Rubino 60 TPI 700 x 23 C	Vittoria Zaffiro 700 x 23 C	Vittoria Zaffiro 700 x 23 C	Vittoria Zaffiro 700 x 23 C
HUBSET	Mavic Kysrium Elite	Shimano 105	Mavic Aksium	Shimano 105 precision sealed	Formula sealed	Formula sealed
SPOKES	Mavic Kysrium Elite	15g stainless steel	Mavic Aksium	15g stainless steel	15g stainless steel	15g stainless steel
BRAKE SET	Shimano Ultegra Dual pivot	Shimano 105 Dual pivot	Shimano Ultegra Gray	Tektro "Skeleton" Forged Dual pivot	Tektro Forged Dual pivot	Dual pivot
HANDLEBAR	Ritchey Logic Pro Road Oversize	Ritchey Logic Pro Oversize	Ritchey Logic Pro Road Oversize	GT 6061 alloy, black anodized	GT 6061 alloy, black anodized	GT 6061 alloy, black anodized
STEM	Ritchey Logic Pro, 3-d forged and CNC machined	Ritchey Logic Pro, 3-d forged and CNC machined	Ritchey Logic Pro, 3-d forged and CNC machined	Ritchey Pro, 3-d forged oversized clamp	3-d Forged Alloy, black anodized	3-d Forged Alloy, black anodized
HEADSET	TH sealed bearing	TH sealed bearing	TH sealed bearing	TH sealed bearing	TH sealed bearing	TH sealed bearing
SADDLE	Fizik Arione with Magnesium Rails	Fizik Arione with Magnesium Rails	Selle San Marco Ponzia with Cro-Mo Rails	Selle San Marco Ponzia	GT Road	GT Road
SEAT POST	GT Carbon	GT Carbon	Ritchey Pro Carbon	Ritchey Pro	HL alloy	alloy

FITNESS COMMUTER

MODEL	TRANSEO ULTRA	TRANSEO 1.0	TRANSEO LTD	TRANSEO 2.0 DISC	TRANSEO 3.0 DISC	TRANSEO 4.0
SIZES	S, M, L, XL	S, M, L, XL	S, M, L, XL	S, M, L, XL	S, M, L, XL	S, M, L, XL, / Ladies S, M,
FRAME	New design GT 7000 series aluminium with sport fitness geometry. Hydroformed DB top tube, forged drop-outs with chainstay disc mounts, removable derailleur hanger and all braze ons	New design GT 7000 series aluminium with sport fitness geometry. Hydroformed Double Butted top tube, forged drop-outs with chainstay disc mounts, replaceable rear der. hanger and all braze ons	Transeo design GT 7000 series aluminium with sport fitness geometry. Hydroformed top tube, forged horizontal drop-outs, chainstay disc mounts and all braze ons	New design GT 7000 series aluminium with sport fitness geometry. Hydroformed DB top tube, forged drop-outs with chainstay disc mounts, removable derailleur hanger and all braze ons	New design GT 7000 series aluminium with sport fitness geometry. Hydroformed PG top tube, forged drop-outs with chainstay disc mounts, removable derailleur hanger and all braze ons	Transeo design GT 7000 series aluminium with sport fitness geometry. Hydroformed PG top tube, forged drop-outs with chainstay disc mounts, removable derailleur hanger and all braze ons
FORK	SR NCX-D LO 50mm travel, disc mount with pre-load adjust, speedlock Mech. lockout and fender/ rack mounts	SR NCX-E RL, 50mm travel, alloy steerer and stanchions, air sprung with remote lock-out	SR NEX-4610 50mm travel, disc mount with pre-load adjust, speedlock Mech. lockout and fender/rack mounts	SR NCX-D LO 50mm travel, disc mount with pre-load adjust, speedlock Mech. lockout and fender/ rack mounts	SR NEX-4610 50mm travel, disc mount with pre-load adjust, speedlock Mech. lockout and fender/ rack mounts	SR / Suntour NEX4110 50mm travel fork with disc, rack and fender mounts
REAR SHOCK	N/A	N/A	N/A	N/A	N/A	N/A
CRANKSET	Shimano Non-Series M341 48,38,28 w/ shimano chaincase	Shimano M443 HollowTech crankset with 48 / 38 / 28	SR Suntour 42 T with alloy outer guard	Shimano Non-Series M341 48,38,28 w/ shimano chaincase	Shimano Acera Octalink 48,38,28 w/ shimano chaincase	Suntour CW9-XCC 48, 38, 28 w/ chaincase
BB	Shimano Cartridge sealed	Shimano Octalink	Shimano sealed cartridge square taper	Shimano Cartridge sealed	Shimano Octalink	Cartridge sealed
PEDALS	Alloy one piece trekking	Alloy Trekking, Cro-Mo axle	Alloy Trekking	Alloy one piece trekking	High Impact nylon Comfort	High Impact nylon Comfort
FRONT DER	Shimano Alivio FD-M412	Shimano Deore	N/A	Shimano Alivio FD-M412	Shimano C102	Shimano C102
REAR DER	Shimano Deore	Shimano SLX	Nexus 8	Shimano Deore	Shimano Alivio FD-M410	Shimano Acera 8
SHIFTER	Shimano Alivio 8spd Rapid Fire	Shimano Deore 9spd Rapid Fire	Nexus 8 rapid fire	Shimano Alivio 8spd Rapid Fire	Shimano SLM-360 8spd Rapid Fire	Shimano EF-50 Rapid Fire plus
CASSETTE	Shimano Hyperglide 8-speed 11-32	"SRAM 9 spd 11 - 32 T"	Nexus 8	Shimano Hyperglide 8-speed 11-32	Shimano Hyperglide 8-speed 11-32	Shimano Hyperglide 8-speed 11-32
RIMS	Alex ACE-17 Double Wall Alloy Trekking, 32h w/ Stainless Eyelets	Jalco DXT-111 Double Wall 32h	Alex ACE-17 Double Wall Alloy Trekking, 32h w/ Stainless Eyelets	Alex ACE-17 Double Wall Alloy Trekking, 32h w/ Stainless Eyelets	Alex ACE-17 Double Wall Alloy Trekking, 32h w/ Stainless Eyelets	Alex ACE-17 Double Wall Alloy Trekking, 32h
TYRES	700 x 35c WTB AllTerainasaurus	700 x 35c WTB AllTerainasaurus	700 x 35c WTB AllTerainasaurus	700 x 35c WTB AllTerainasaurus	700 x 35c WTB AllTerainasaurus	700x 35c WTB AllTerainasaurus
HUBSET	Alloy QR	Shimano M475 Alloy QR	Alloy QR Non-Disc/ Nexus 8	Alloy QR	Alloy QR, Disc Specific	Alloy QR
SPOKES	Stainless steel 14 gauge	Stainless steel 14 gauge	Stainless steel 14 gauge	Stainless steel 14 gauge	Stainless steel 14 gauge	Stainless steel 14 gauge
BRAKE SET	Tektro Auriga Comp Hydraulic	Tektro Auriga Hydraulic	Nexus/Direct pull, with 110 mm arms	Tektro Auriga Comp Hydraulic	Tektro Aquila Mechanical Disc brake w/ 160mm rotors	Direct pull, with 110 mm arms
HANDLEBAR	GT Alloy MTB Riser Bar w/ 25.4 Clamp	Ritchey MTN Flat 25.4mm	GT Alloy MTB Riser Bar w/ 25.4 Clamp	GT Alloy MTB Riser Bar w/ 25.4 Clamp	GT Alloy MTB Riser Bar w/ 25.4 Clamp	GT Alloy MTB Riser Bar w/ 25.4 Clamp
STEM	GT Exclusive Alloy Ahead type +/- 7 degrees	NVO 1-1/8"	GT Exclusive Alloy Ahead type +/- 7 degrees	GT Exclusive Alloy Ahead type +/- 7 degrees	GT Exclusive Alloy Ahead type +/- 7 degrees	GT Exclusive Alloy Ahead type +/- 7 degrees
HEADSET	1 1/8" sealed mech	1-1/8" sealed mech Ahead	1 1/8" sealed mech A head	1 1/8" sealed mech	1 1/8" sealed mech Ahead	1 1/8" sealed mech Ahead
SADDLE	Selle San Marco Ischia K Treking w/ waterproof cover	WTB Pure-V Race Cro-mo rails	WTB GT exclusive w/ waterproof cover	Selle San Marco Ischia K Treking w/ waterproof cover	WTB GT exclusive w/ waterproof cover	WTB GT exclusive w/ waterproof cover
SEAT POST	GT design alloy seat pillar	GT design alloy seat pillar	GT design alloy seat pillar	GT design alloy seat pillar	GT design alloy seat pillar	GT design alloy seat pillar

FITNESS COMMUNTER
COMFORT

MODEL	TRANSEO 5.0	NOMAD SPORT	NOMAD	TIMBERLINE SPORT	TIMBERLINE
SIZES	XS, S, M, L, XL, / Ladies S, M, L	S, M, L, XL, / Ladies S, M	S, M, L, XL, / Ladies S, M	S, M, L, XL, / Ladies S, M	S, M, L, XL, / Ladies S, M
FRAME	Transeo design GT 7000 series aluminium with sport fitness geometry. Hydroformed PG top tube, forged drop-outs with chainstay disc mounts, removable derailleur hanger and all braze ons	New design GT 7000 series aluminium with fitness geometry. With removable derailleur hanger and all braze ons	New design GT 7000 series aluminium with fitness geometry. With removable derailleur hanger and all braze ons	GT design aluminium with comfort geometry with replaceable rear der. hanger	GT design aluminium with comfort geometry with replaceable rear der. hanger
FORK	Straight blade design w/ Cro-mo legs/ threadless hi-ten steerer, rack and fender eyelets	SR NCX-DLO one piece ,magnesium. lowers, disc mount with pre-load adjust and lock out	SR NEX -4110, one piece alum. lowers, disc mount with pre-load adjust	SR NCX-D one piece, magnesium lowers, disc mount with pre-load adjust	SR NEX-4100, one piece aluminium lowers, disc mount with pre-load adjust
REAR SHOCK	N/A	N/A	N/A	N/A	N/A
CRANKSET	Suntour CW9-XCC 48, 38, 28 w/ chaincase	Shimano TX-71, 48/38/28	Suntour NEX 200 48, 38, 28	Shimano Altus 48 / 38 / 28"	Suntour NEX 208 48 / 38 / 28"
BB	Cartridge sealed	Cartridge Sealed	Square Taper	Cartridge Sealed	Sealed mech w/ boron axle
PEDALS	High Impact nylon Comfort	High Impact nylon Comfort	High Impact nylon Comfort	High Impact nylon with dual density grip surface	High Impact nylon with dual density grip surface
FRONT DER	Shimano C102	Shimano C-202	Shimano C-050	Shimano C-050	Shimano C-050
REAR DER	Shimano Altus 7	Shimano Alivio	Shimano Acera	Shimano Alivio	Shimano TX-71
SHIFTER	Shimano EF-50 Rapid Fire plus	Shimano EF-50 Rapid Fire plus	Shimano 7 speed Revo Shifter	Shimano 8 speed C-50 twist shifter	Shimano 7 speed Revo Shifter
CASSETTE	Shimano Hyperglide 7-speed 14-34	Shimano Mega- Range 8 speed cassette, 11-34	Shimano Hyperglide 7-speed 14-34	8 speed cassette, 11 - 34 T"	7-speed, 14 - 34 T"
RIMS	Alex Z1000 singlewall alloy trekking rim	Double wall Alloy Trekking, black walls with CNC side	Alloy double wall	Alloy 26"	Alloy 26"
TYRES	700 x 35c WTB AllTerrainasaurus	Kenda "Euro Tour" 700 x 38 C	Kenda "Euro Tour" 700 x 38 C	Kenda 26 X 1.95 comfort	Kenda 26 X 1.95 comfort
HUBSET	Alloy QR	Alloy QR	Alloy QR	Alloy QR	Alloy QR
SPOKES	Stainless steel 14 gauge	Stainless steel 14 gauge	Stainless steel 14 gauge	Stainless Steel, 14 gauge	Stainless Steel, 14 gauge
BRAKE SET	Direct pull, with 110 mm arms	Direct pull, with 110 mm arms	Direct pull, with 110 mm arms	Tektro Alloy	Alloy with soft touch lever, for direct pull
HANDLEBAR	GT Steel MTB Riser Bar w/ 25.4 Clamp	Aluminium 30mm Riser 6degree bend, anatomically sized	30mm Riser 6 degree bend, anatomically sized	30mm Riser - 6 degree bend, anatomically sized	30mm Riser - 6 degree bend, anatomically sized
STEM	GT Exclusive Alloy Ahead type +/- 7 degrees	Adjustable quill style 55 degree range of movement with 2-bolt face plate	Adjustable quill style 55 degree range of movement with 2-bolt face plate	Adjustable quill style 55 degree range of movement with 2-bolt face plate	Adjustable quill 55 degree range of movement with 4-bolt face plate
HEADSET	1 1/8" sealed mech Ahead	1 1/8" sealed mech	1 1/8" sealed mech	1-1/8" sealed mech	1-1/8" sealed mech
SADDLE	GT exclusive w/ waterproof cover	GT Comfort with plushskin cover.	GT Comfort with plushskin cover.	GT Comfort with plushskin cover	GT Comfort with plushskin cover
SEAT POST	GT design alloy seat pillar	Aluminium Suspension	Aluminium Suspension	Aluminium Suspension	Aluminium Suspension

WOMEN
JUVENILE

MODEL	AVALANCHE GTw 1.0 DISC	AVALANCHE GTw 2.0 DISC	AVALANCHE GTw 3.0 DISC	STOMPER / LAGUNA 24"	STOMPER / SCAMP 20"
SIZES	XS, S, M, L	XS, S, M, L	XS, S, M, L	boys/girls 24 inch wheeled bike,	boys/girls 20 inch wheel
FRAME	GT Triple Triangle design 6061 aluminium with Hydro formed downtube, zero stack headtube, Disc compatible with removable der. Hanger and geometry tuned for women	GT Triple Triangle design 6061 aluminium with Hydro formed downtube, zero stack headtube, Disc compatible with removable der. Hanger and geometry tuned for women	GT Triple Triangle design 6061 aluminium with Hydro formed downtube, zero stack headtube, Disc compatible with removable der. Hanger and geometry tuned for women	6061, Triple Triangle	6061, Triple Triangle
FORK	Rock Shox Dart 3, 100mm travel, preload adjust with magnesium lowers, ezternal rebound adjust and Turn-Key lock-out	Suntour XCR-LO hydraulic fork with cr-mo 30 mm stanchions, magnesium lowers, preload adjust, 100 mm of travel, lock out and GTw Soft Springs	SR Suntour XCM one piece aluminium lowers with disc mount and preload adjustment, 100 mm travel and GTw Soft Springs	SR M 2000 alloy crown with 75 mm travel	SR M 2000 alloy crown with 75 mm travel
REAR SHOCK	N/A	N/A	N/A	N/A	N/A
CRANKSET	FSA Alpha Drive 44/32/22	Shimano FC-M311 42/32/22	Suntour XCT - V2, 42,32,22 for eight speed	Suntour XCC-T102, 42,32,22	Cotterless Aluminium 36 tooth chainring
BB	FSA Sealed Bearing Cartridge	Shimano Square Taper	Cartridge Sealed	3 piece square taper	3 piece square taper
PEDALS	Wellgo M21 pedal	ATB Resin body, Steel cage, toe clip compatible	High Impact nylon platform	High Impact nylon platform	High Impact nylon platform
FRONT DER	Shimano Deore	Shimano M-311 Acera	Shimano M-330	N/A	N/A
REAR DER	Shimano XT Shadow	Shimano SLX	Shimano Alivio	Shimano TX-51	Shimano TX-30
SHIFTER	Shimano Deore 9 speed separate	Shimano M-360 Alivio 8 speed rapidfire shifters	Shimano M360 8 speed	Sram MRX 7 speed	Sram MRX 7 speed
CASSETTE	SRAM PG950 Nine speed index cassette 11-32	Shimano Eight Speed, 11-32 ratio	Shimano Eight Speed, 11-32 ratio	Shimano 7 Speed 14-28 HG	Shimano 7 Speed 14-28 HG
RIMS	WTB SX-24 double wall ATB	Alloy double wall ATB	Alex ASD-1	Alex IC -1000 ATB aluminun	ATB aluminun
TYRES	Kenda Kharisma, 26 x 2.1	Kenda Kharisma, 26 x 2.1	Kenda Kharisma, 26 x 2.1	Kenda ATB Dual purpose, 24 x 1.95	Kenda ATB Dual purpose, 24 x 1.95
HUBSET	Shimano Disc	Alloy QR for Disc	Alloy QR for Disc	Alloy QR	Alloy QR
SPOKES	Stainless steel 14 gauge	Stainless steel 14 gauge	Stainless steel 14 gauge	14 gauge	14 gauge
BRAKE SET	Tektro Auriga Comp, dual piston cold forged	Tektro Auriga comp, dual piston cold forged	Tektro IO Mechanical disc-brakes	Tektro Linear pull brake	Tektro Linear pull brake
HANDLEBAR	GT Mtn Riser, 6061 heat treated, 31.8 mm clamp, anatomically sized for women	20 mm Rise, Alloy, 6 degree bend, anatomically sized for women, 25.4 stem clamp	20 mm Rise, Alloy, 6 degree bend, anatomically sized for women, 25.4 stem clamp	Riser bar	Riser bar
STEM	GT ATB, threadless 25 degree rise with four bolt alum CNC face plate for 31.8mm	GT ATB, threadless 25 degree rise with four bolt alum face plate, 25.4 bar clamp	GT ATB, threadless 25 degree rise with four bolt alum face plate, 25.4 bar clamp	Ahead alloy ATB, with 25 degree rise	Ahead alloy ATB, with 25 degree rise
HEADSET	Semi-integrated system for 1 1/8"	Tange Seiki system for 1 1/8"	Tange Seiki system for 1 1/8"	Aheadset sealed mech	Aheadset sealed mech
SADDLE	WTB SpeedShe	WTB SpeedShe	WTB SpeedShe	Boys/girls Anatomic MTN	Boys/girls Anatomic MTN
SEAT POST	Alloy Micro adjust	Alloy Micro adjust	Alloy Micro adjust	Alloy shaft with alloy clamp	Alloy shaft with alloy clamp

RACE

MODEL	POWER SERIES ULTRA BOX	POWER SERIES (UB2) FRAMESET	POWER SERIES 24	POWER SERIES XL	POWER SERIES PRO
COLOURS	Pearl White	Blue/White 2-tone	Pearl White	Pearl White	Pearl White
SIZES	20" wheel / 21" top tube	20" wheel / 21" top tube	24" wheel / 21" top tube	20" wheel / 21" top tube	20" wheel / 20" top tube
FRAME	GT Ultra Box design, 6061-T6 aluminium, formed top tube and chain stays, Euro (small) BB shell, 1-1/8" Semi integrated head tube	GT UB2 mono-coque carbon fiber design, CNC aluminium dropouts, internal cable routing, internal seatpost wedge/clamp	'06 GT Bmx race design, 6061-T6 aluminium, Ultra Box dropouts, Mono stay design seat stays, EURO BB, 1-1/8" semi integrated head tube, rectangular chain stays	'06 GT Box design, 6061-T6 aluminium, lower profile top tube, Ultra Box dropouts, Ultra Box chain stays, Mono stay design seat stays, EURO BB, 1-1/8" semi integrated head tube	GT BMX race design, Euro BB shell, 6061-T6 aluminium, regular 1-1/8" head tube
FORK	GT BMX design, Aluminium crown and blades, cr-mo 1-1/8" steer	N/A	GT BMX design, Aluminium crown and blades, cr-mo 1-1/8" steer	GT BMX design, Aluminium crown and blades, cr-mo 1-1/8" steer	GT BMX design, Cr-Mo 1-1/8" steer, Hi-Ten 1-1/4" O.D. blades
CRANKSET / CHAINWHEEL	Truvativ 180mm "Racing Team" forged AL-7050 aluminium, 44T CNC AL-7075 channing	N/A	Truvativ 180mm "Racing XR" forged AL-66 aluminium, 41T CNC AL-7075 channing	Truvativ 180mm "Racing XR" forged AL-66 aluminium, 44T CNC AL-7075 channing	GT Tubular Cr-Mo 3pc. 8 spline, single bolt clamping, 175mm / GT CNC aluminium 43T chainwheel
BB	Truvativ GIGA Pipe DH, ISIS drive, cartridge bearings, aluminium cups	N/A	Truvativ GIGA Pipe DH, ISIS drive, cartridge bearings, aluminium cups	Truvativ GIGA Pipe DH, ISIS drive, cartridge bearings, aluminium cups	Euro size, steel threaded cups, ball type, 8-spline heat treated axle
PEDALS	GT design, CNC aluminium platform, CNC cr-mo axle, sealed bearings	N/A	GT BMX platform design, aluminium body, thread in pins, cr-mo axle	GT BMX platform design, aluminium body, thread in pins, cr-mo axle	GT BMX platform design, aluminium body, fixed pins, cr-mo axle
FREEWHEEL	13, 14, 15, 16, 17, 18T cogs	N/A	13, 14, 15, 16, 17, 18T cogs	13, 14, 15, 16, 17, 18T cogs	16T. Freewheel
CHAIN	KMC Z610HX	N/A	KMC Z610HX	KMC Z610HX	KMC Z610
RIMS	Alex Supra Dome, double wall, 36 hole, 33.5mm width	N/A	Alex Supra Dome, double wall, 36 hole, 33.5mm width	Alex Supra Dome, double wall, 36 hole, 33.5mm width	Alex G303, aluminium, 36 hole, 31mm width
TYRES	Kenda Small Block Eight, 60tpi casing, 1.75" rear, 2.1" front	N/A	Kenda Short Tracker 24x1.75" rear and Small Block Eight 24 x 1.95" front	Kenda Small Block Eight 1.75" rear, 2.1" front	Kenda Small Block Eight 1.75" rear, 1.95" front
FRONT HUB	GT BMX branded, aluminium body, Sealed Bearings, Hollow Cr-Mo axle, track nuts	N/A	GT BMX branded, aluminium body, Sealed Bearings, Hollow Cr-Mo axle, track nuts	GT BMX branded, aluminium body, Sealed Bearings, Hollow Cr-Mo axle, track nuts	'05 GT BMX branded, aluminium body, sealed mech. Bearings, Cr-Mo axle, track nuts
REAR HUB	Joy Tech BMX cassette, 4x sealed cartridge bearings, 36 hole, hollow Cr-Mo axle	N/A	Joy Tech BMX cassette, 4x sealed cartridge bearings, 36 hole, hollow Cr-Mo axle	Joy Tech BMX cassette, 4x sealed cartridge bearings, 36 hole, hollow Cr-Mo axle	'05 GT BMX branded, aluminium body, sealed mech. Bearings, Cr-Mo axle, track nuts, double FW threads
SPOKES	14G, Black	N/A	14G, Black	14G, Black	14G, Black
NIPPLES	Aluminium, 14 G, Black	N/A	Brass	Brass	Brass
FRONT BRAKE	N/A	N/A	N/A	N/A	N/A
REAR BRAKE	Tektro, BX-25, cold forged aluminium, cartridge pads	N/A	Tektro, 930AL, cold forged aluminium	Tektro, 930AL, cold forged aluminium	Tektro, BX-310, melt forged aluminium
BRAKE LEVERS	Tektro, BX-2 "Sabre", hinged clamp, aluminium	N/A	Tektro, 319, aluminium	Tektro, 319, aluminium	Tektro, 319A, aluminium
HANDLEBAR	GT BMX Race bend, Cr-mo, 7.9" rise	N/A	GT BMX Race Cruiser bend, Cr-mo, 6" rise	GT BMX Race bend, Cr-mo, 7.9" rise	GT BMX Race bend, Hi-Ten, 7" rise
STEM	'05 GT BMX Race design, cold forged aluminium	N/A	'05 GT BMX Race design, cold forged aluminium	'05 GT BMX Race design, cold forged aluminium	'05 GT BMX Race design, cold forged aluminium
GRIPS	GT Wing waffle design, Kraton rubber	N/A	GT Wing waffle design, Kraton rubber	GT Wing waffle design, Kraton rubber	GT Wing waffle design, Kraton rubber
HEADSET	FSA "ORBIT Z", semi integrated design, aluminium cup, angular contact sealed cartridge bearings	FSA "ORBIT Z", semi integrated design, aluminium cup, angular contact sealed cartridge bearings	Semi integrated 1-1/8" threadless	Semi integrated 1-1/8" threadless	Tange Seiki FATTY 22, extra deep cup engagement, 1-1/8" threadless
SADDLE	SDG "1-Fly" railless design, stitched cover	SDG "1-Fly" railless design, stitched cover	'06 GT BMX "Pro Lite", padded with stitched cover and 7mm rails	'06 GT BMX "Pro Lite", padded with stitched cover and 7mm rails	'06 GT BMX "Pro Lite", padded with stitched cover and 7mm rails
SEAT POST	SDG "1-Fly" aluminium micro adjust design	SDG "1-Fly" aluminium micro adjust design	GT design, aluminium micro adjust, 27.0mm	GT design, aluminium micro adjust, 27.0mm	Aluminium micro adjust, 27.0mm
SEAT CLAMP	Integrated in frame	Internal wedge type	'05 GT BMX Race design, aluminium, single bolt	'05 GT BMX Race design, aluminium, single bolt	'05 GT BMX Race design, aluminium, single bolt
EXTRAS	GT design CNC machined chain tensioners, 3 piece pad set	GT design CNC machined chain tensioners, 3 piece pad set	GT design CNC machined chain tensioners, 3 piece pad set	GT design CNC machined chain tensioners, 3 piece pad set	GT design chain tensioners, 3 piece pad set

DIRT/STREET

MODEL	POWER SERIES EXPERT	POWER SERIES JR.	POWER SERIES MICRO	FUELER	BUMP
COLOURS	Pearl White	Pearl White	Pearl White	White	Semi Gloss Purple, Lemon
SIZES	20" wheel / 19.75" top tube	20" wheel / 18.25" top tube	20" wheel / 16.25" top tube	20" wheel / 21" top tube	20" wheel / 20.5" top tube
FRAME	'06 GT BMX race design, 6061-T6 aluminium, Ultra Box dropouts, 1-1/8" headtube for full integrated headset	'06 GT BMX race design, 6061-T6 aluminium, Ultra Box dropouts, 1" headtube for full integrated headset	'06 GT BMX race design, 6061-T6 aluminium, Ultra Box dropouts, 1" headtube for full integrated headset	'08 GT dirt/street design, 100% cr-mo, machined cr-mo headtube for integrated headset, "MID SIZE" BB shell, small cr-mo 5mmT. Dropouts, seat stay mounted U-brake	'09 GT dirt/street design, main tubes and stays cr-mo, Mid size BB shell, machined headtube, small 5mmT. Dropouts, seat stay mounted U-brake
FORK	GT BMX design, new larger 32.5 x 24.2mm aluminium uncrown blades, Cr-Mo 1-1/8" threadless steer	GT BMX design, Aluminium uncrown blades, Cr-Mo 1" threadless steer	GT BMX design, Aluminium uncrown blades, Cr-Mo 1" threadless steer	'08 GT dirt/street design, full cr-mo, small dropouts, 1-1/8" x 22.2mm steerer, 1-1/4" O.D. blades	'08 GT dirt/street design, full cr-mo, small dropouts, 1-1/8" x 25.4mm steerer, 1-1/4" O.D. blades
CRANKSET / CHAINWHEEL	GT forged aluminium 3pc., ISIS drive, 170mm/ aluminium ring, 42T	GT forged aluminium 3pc., ISIS drive, 155mm/ aluminium ring, 39T	GT forged aluminium 3pc., ISIS drive, 130mm/ aluminium ring, 36T	Improved GT tubular Cr-Mo 3pc., 8 spline, double bolt clamping, '08 GT 33T CNC aluminium W/cut-out windows for lighter weight	GT Tubular Cr-Mo 3pc., thread-in chainwheel pin, 8 spline, single bolt clamping, 175mm / '07 design 33T steel GT design
BB	Euro size, threaded cups, sealed cartridge bearings, heat treated ISIS drive axle	Euro size, threaded cups, sealed cartridge bearings, heat treated ISIS drive axle	Euro size, threaded cups, sealed cartridge bearings, heat treated ISIS drive axle	Sealed bearing "MID SIZE" BB set, cr-mo 8 spline axle	Mid size ball type with 8 spline Cr-Mo axle
PEDALS	Jr. BMX platform, aluminium, Cr-Mo axle	Aluminium body with bolt on aluminium cage, Cr-Mo axle	Aluminium body with bolt on aluminium cage, Cr-Mo axle	'05 GT Dirt/Street platform design, aluminium body, press-in pins, cr-mo axle	'05 GT Dirt/Street platform design, aluminium body, cr-mo axle
FREEWHEEL	13, 14, 15, 16, 17, 18T cogs	13, 14, 15, 16, 17, 18T cogs	13, 14, 15, 16, 17, 18T cogs	12T cassette	12T cassette
CHAIN	KMC Z610	KMC Z610	KMC Z610	KMC Z510HX	KMC Z510
RIMS	Alex DA-22, double wall, aluminium, 32 hole	Alex DA-22, double wall, aluminium, 28 hole	Alex DA-22, 20x1-1/8" double wall, aluminium, 28 hole	Alienation Black Sheep, double wall, black 32 hole front, CP 36 hole rear, 33mm width	Alienation PBR, aluminium, 32 hole front, 36 hole rear, 31mm width
TYRES	Kenda "Small Block Eight", 20 x 1-3/8"	Kenda "Small Block Eight", 20 x 1-1/8"	Kenda "Small Block Eight", 20 x 1-1/8"	Front: Kenda K-Rad 2.125" 65psi, Rear: Kenda Kinjption 2.1" 120psi	Front: Kenda K-Rad 2.125" Rear: Kenda Konvsn 2.1"
FRONT HUB	GT BMX race design, aluminium body, sealed cartridge bearings, 32 hole, hollow Cr-Mo axle	GT BMX race design, aluminium body, sealed cartridge bearings, 28 hole, hollow Cr-Mo axle	GT BMX race design, aluminium body, sealed cartridge bearings, 28 hole, hollow Cr-Mo axle	'05 GT branded, cartridge sealed bearings, 3/8" cr-mo axle, 32 hole	'05 GT branded, aluminium body, sealed Mech. bearings, 3/8" Cr-Mo axle, 32 hole
REAR HUB	Joy Tech BMX cassette, 4x sealed cartridge bearings, 32 hole, hollow Cr-Mo axle	Joy Tech BMX cassette, 4x sealed cartridge bearings, 28 hole, hollow Cr-Mo axle	Joy Tech BMX cassette, 4x sealed cartridge bearings, 28 hole, hollow Cr-Mo axle	Joy Tech cassette, 4 cartridge sealed bearings, 14mm cr-mo axle, 36 hole	GT branded cassette hub, sealed Mech. bearings, 14mm Cr-Mo axle, 36 hole, 12T cog
SPOKES	15G, Black	15G, Black	15G, Black	14G, SS	14G, black
NIPPLES	Aluminium	Aluminium	Aluminium	Brass	Brass
FRONT BRAKE	N/A	N/A	N/A	N/A	N/A
REAR BRAKE	Tektro, 926AL, Mini V-brake, cold forged aluminium	Tektro, 926AL, 80mm Mini V-brake, cold forged aluminium	Tektro, 926AL, 80mm Mini V-brake, cold forged aluminium	Tektro, FX-15D, linear spring, single anchor bolts, cold forged aluminium U-brake	Tektro, 907-A, coil spring, melt forged aluminium U-brake
BRAKE LEVERS	Tektro, 316A, aluminium	Mini BMX design, resin composite material, reach adjuster and barrel adjuster	Mini BMX design, resin composite material, reach adjuster and barrel adjuster	Tektro, 275A, aluminium, hinged clamp	Tektro, 274A, aluminium
HANDLEBAR	GT BMX design, aluminium, 6.7" rise	GT BMX design, aluminium, 4.5" rise	GT BMX Micro design, 22.2mm OD aluminium, 2" rise	'07 GT dirt/street dual radius bend, Cr-mo, 7.67" rise	'07 GT dirt/street dual radius bend, Cr-mo, 7" rise
STEM	'05 GT BMX Race design, cold forged aluminium, 1-1/8"	Mini BMX design, aluminium	Mini BMX design, aluminium	GT FS design, cold forged aluminium, machined GT logo	GT FS design, cold forged aluminium, machined GT logo
GRIPS	GT Wing waffle design, Kraton rubber	GT Jr Wing waffle design, Kraton rubber	GT Jr Wing waffle design, Kraton rubber	GT Wing shroom design	GT Wing shroom design
HEADSET	FSA Orbit IS-2, 1-1/8" integrated ACB sealed bearings with aluminium top cap	FSA Orbit IS-2A, 1" integrated ACB sealed bearings with aluminium top cap	FSA Orbit IS-2A, 1" integrated ACB sealed bearings with aluminium top cap	TH No. 8-D, Impact, Campy 1-1/8" integrated design,	Tange Seiki FATTY 22, extra deep cup engagement, 1-1/8" threadless
SADDLE	GT mini design, padded with integrated aluminium post	GT mini design, padded with integrated aluminium post	GT mini design, padded with integrated aluminium post	'09 GT Slim mini street design, 8mm rails	'09 GT Slim mini street design, 8mm rails
SEAT POST	Aluminium, 22.2mm	Aluminium, 22.2mm	Aluminium, 22.2mm	Aluminium double bolt micro adjust	Aluminium double bolt micro adjust
SEAT CLAMP	'05 GT mini BMX design, aluminium, single bolt	'05 GT mini BMX design, aluminium, single bolt	'05 GT mini BMX design, aluminium, single bolt	'08 GT CNC mini design	'08 GT CNC mini design
EXTRAS	3 piece pad set	3 piece pad set	Pad set	GT machined H/bar end plugs	

STREET/PARK

FREESTYLE

MODEL	CALAFIA	EL CENTRO	EL CENTRO 18	EL CENTRO 16	PERFORMER
COLOURS	Yellow	Cherry	Orange	Blue	Matte Brown, White
SIZES	20" wheel / 21" top tube	20" wheel / 20.5" top tube	18" wheel / 18" top tube	16" wheel / 17" top tube	20" wheel / 20.5" top tube
FRAME	'08 design, 100% cr-mo tubing, cr-mo "MID SIZE" BB shell, cr-mo machined headtube for integrated headset, cr-mo 5mmT. Dropouts, bolt-on GYRO cable guides	'08 design, all tubes cr-mo, machined headtube, MID size BB shell, 5mmT. dropouts, weld-on GYRO cable guides	Updated '08 design with Mid size BB shell, full Hi-ten, machined headtube, 5mmT. dropouts, weld-on GYRO cable guides	Updated '08 design with Mid size BB shell, full Hi-ten, machined headtube, 5mmT. dropouts, weld-on GYRO cable guides	'05 GT street design, Mid size BB shell, 3 main tubes cr-mo, machined headtube, 5mmT. small dropouts, weld-on GYRO cable guides, single cable routing with seat stay mounted U-brake
FORK	'08 GT dirt/street design, full cr-mo, small dropouts, 1-1/8" x 22.2mm steerer, 1-1/4" O.D. blades	'08 GT dirt/street design, full cr-mo, small dropouts, 1-1/8" x 22.2mm steerer, 1-1/4" O.D. blades	GT Freestyle design, Cr-Mo 1-1/8" steer, 31.8mm hi-ten blades, 6mmT. Dropouts	GT Freestyle design, Cr-Mo 1-1/8" steer, 31.8mm hi-ten blades, 6mmT. Dropouts	'05 GT Freestyle design, forged dropouts, Cr-Mo 1-1/8" x 25.4mm steerer, Hi-Ten 1-1/4" O.D. blades
CRANKSET / CHAINWHEEL	'09 GT tubular Cr-Mo 3pc., 8 spline, double bolt clamping, '08 GT 33T CNC aluminium W/cut-out windows for lighter weight	GT tubular Cr-Mo 3pc., 8 spline, single bolt clamping, thread-in chainwheel pin, 175mm / '07 GT 33T CNC aluminium chainwheel	Improved GT Tubular Cr-Mo 3pc., thread-in chainwheel pin, 8 spline, single bolt clamping, 165mmL, '07 33T steel GT chainwheel	Improved GT Tubular Cr-Mo 3pc., thread-in chainwheel pin, 8 spline, single bolt clamping, 140mmL, '07 33T steel GT chainwheel	Improved GT Tubular Cr-Mo 3pc., thread-in chainwheel pin, 8 spline, single bolt clamping, 175mm / '07 design 33T steel GT design
BB	Sealed bearing "MID SIZE" BB set, cr-mo 8 spline axle	Mid size sealed bearings, 8 spline Cr-Mo axle	Mid size ball type with 8 spline Cr-Mo axle	Mid size ball type with 8 spline Cr-Mo axle	Mid size ball type with 8 spline Cr-Mo axle
PEDALS	'05 GT Dirt/Street platform design, aluminium body, press-in pins, cr-mo axle	'05 GT Dirt/Street platform design, aluminium body, cr-mo axle	Jr. BMX platform design, aluminium body, molded in pins, cr-mo axle	Jr. BMX platform design, aluminium body, molded in pins, cr-mo axle	'05 GT Dirt/Street platform design, aluminium body, cr-mo axle
FREEWHEEL	12T cassette	12T cassette	13T	14T	12T cassette
CHAIN	KMC Z510HX	KMC Z510H	KMC Z510	KMC Z510	KMC Z510
RIMS	Alienation Black Sheep, double wall, white front 32 hole, CP rear 36 hole, 33mm width	Alienation PBR, aluminium, front 32 hole, rear 36 hole, 31mm width	Alex G-303, single wall aluminium, 36H, 16"	Alex G-303, single wall aluminium, 36H, 16"	Alex G22, aluminium, 48 hole, 30mm width
TYRES	Kenda Kirinption, 2.1", 60TPI casing, 120psi	Kenda Kirinption, 2.1"	Kenda Kontakt, 18x2.2" front and rear	Kenda Kontakt, 16x2.25" front and rear	Kenda Kirinption, 2.1"
FRONT HUB	GT branded, cartridge sealed bearings, 3/8" cr-mo axle, 32 hole	GT branded, aluminium body, sealed Mech., 3/8" cr-mo axle, 32 hole	Steel body, 3/8" axle, 36H	Steel body, 3/8" axle, 36H	'05 GT branded, aluminium body, sealed Mech., 14mm cr-mo axle, 48 hole
REAR HUB	Joy Tech cassette, 4 cartridge sealed bearings, 14mm cr-mo axle, 36 hole	GT branded cassette hub, sealed Mech. bearings, 14mm Cr-Mo axle, 36 hole, 12T cog	Steel body, 14mm axle, 36H, single FW threads	Steel body, 14mm axle, 36H, single FW threads	GT branded cassette hub, sealed Mech. bearings, 14mm Cr-Mo axle, 48 hole, 12T cog
SPOKES	14G, SS	14G	14G	14G	14G
NIPPLES	Brass	Brass	Brass	Brass	Brass
FRONT BRAKE	N/A	N/A	N/A	N/A	Tektro 907, aluminium U-brake
REAR BRAKE	Tektro, FX-15D, linear spring, single anchor bolts, cold forged aluminium U-brake	Tektro, 907-A coil spring, single anchor bolt, melt forged aluminium U-brake	Tektro, 907-A coil spring, single anchor bolt, melt forged aluminium U-brake	Tektro, 907-A coil spring, single anchor bolt, melt forged aluminium U-brake	Tektro 907, aluminium U-brake
BRAKE LEVERS	Tektro, 275A, aluminium, hinged clamp	Tektro, 273A, aluminium, hinged clamp	Tektro, 299A, aluminium clamp and lever	Tektro, 299A, aluminium clamp and lever	Tektro, 299A, aluminium
HANDLEBAR	'07 GT dirt/street dual radius bend, Cr-mo, 7.67" rise	'07 GT dirt/street dual radius bend, Cr-mo, 7" rise	GT dirt/street bend, Hi-Ten, 7" rise	GT dirt/street bend, Hi-Ten, 6.7" rise	'07 GT dirt/street dual radius bend, Hi-Ten, 7" rise
STEM	GT FS design, cold forged aluminium, machined GT logo	GT FS design, cold forged aluminium, machined GT logo	'09 GT freestyle drop design, aluminium	'09 GT freestyle drop design, aluminium	GT FS design, cold forged aluminium, machined GT logo
GRIPS	GT Wing shroom design	GT Wing shroom design	GT Wing shroom design	GT Wing shroom design	GT Wing shroom design
HEADSET	TH No. 8-D, Impact, Campy 1-1/8" integrated design,	Tange Seiki FATTY 22, extra deep cup engagement, 1-1/8" threadless	Tange Seiki FATTY 22, extra deep cup engagement, 1-1/8" threadless	Tange Seiki FATTY 22, extra deep cup engagement, 1-1/8" threadless	Tange Seiki FATTY 22, extra deep cup engagement, 1-1/8" threadless
SADDLE	'09 GT Slim mini street design, 8mm rails	'09 GT Slim mini street design, 8mm rails	'09 GT Slim mini street design, 8mm rails	'09 GT Slim mini street design, 8mm rails	'08 Velo mini street design, 8mm rails
SEAT POST	Aluminium double bolt micro adjust	Aluminium double bolt micro adjust	Aluminium, 25.4mm O.D.	Aluminium, 25.4mm O.D.	Aluminium double bolt micro adjust
SEAT CLAMP	'08 GT CNC mini design	'08 GT CNC mini design	'08 GT CNC mini design	'08 GT CNC mini design	'08 GT CNC mini design
EXTRAS	1pr. GT steel axle pegs, SST ORYG, GT machined H/bar end plugs	1pr. GT steel axle pegs, SST ORYG, GT machined H/bar end plugs	1pr. 32mm OD steel axle pegs, SST ORYG	1pr. 32mm OD steel axle pegs, SST ORYG	SST ORYG, 2pr. GT 38mm O.D. pegs

FREESTYLE

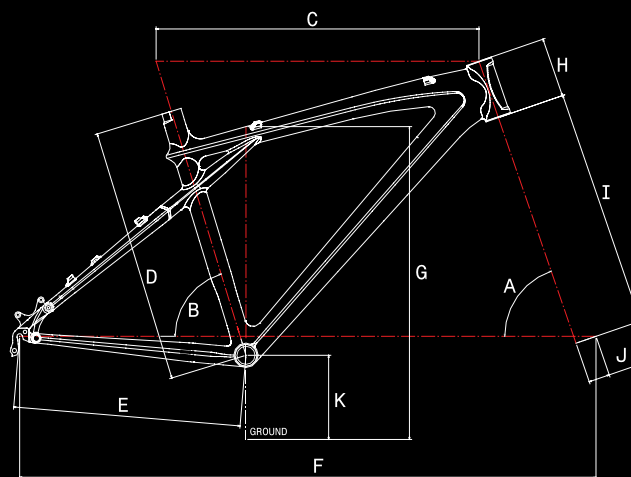
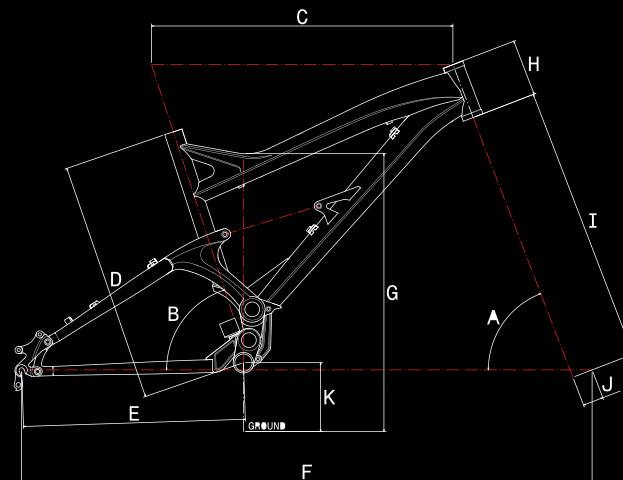
UTILITY BMX

MODEL	AIR	COMPE	ZONE	SLAMMER	MACH ONE PRO
COLOURS	White	Matte Gray, Green	Matte Blue, Tan	Matt Black, Blue	Semi Gloss Black
SIZES	20" wheel / 19.5" top tube	20" wheel / 20" top tube	20" wheel / 20" top tube	20" wheel / 19.5" top tube	20" wheel / 19.5" top tube
FRAME	'09 GT street design, full hi-ten, 1-1/8" head tube, 5mm thick small dropouts, seat stay mounted U-brake, American BB shell	'09 GT street design, Mid size BB shell, cr-mo down tube, machined headtube, 5mmT small dropouts, weld-on GYRO cable guides, single cable routing with seat stay mounted U-brake	'09 GT street design, Cr-mo seat tube, machined head tube and BB shell, weld-on GYRO cable guides, 5mmT small dropouts, seat stay mounted U-brake, single cable routing	'09 GT street design, full hi-ten, 1-1/8" head tube, 5mm thick small dropouts, seat stay mounted U-brake, American BB shell	New '09 single down tube design, V-brake on seat stays, 1-1/8" head tube
FORK	GT freestyle design, 1-1/8" x 22.2mm steerer, Hi-Ten 1-1/4" blades, 6mm I Dropouts	'05 GT Freestyle design, forged dropouts, Cr-Mo 1-1/8" x 25.4mm steerer, Hi-Ten 1-1/4" O.D. blades	GT freestyle design, 1-1/8" x 22.2mm steerer, Hi-Ten 1-1/4" blades, 6mm I Dropouts	GT freestyle design, 1-1/8" x 22.2mm steerer, Hi-Ten 1-1/4" blades, 6mm I Dropouts	GT BMX design, 1-1/8" Cr-Mo steer, 1-1/4" O.D. blades
CRANKSET / CHAINWHEEL	Forged steel one piece crank, 170mm / '07 design 42T steel GT design	Improved GT Tubular Cr-mo 3pc., thread-in chainwheel pin, 8 spline, single bolt clamping, 175mm / '07 design 33T steel GT design	Forged 3pc., 170mm / '07 design 36T steel GT design	Forged steel one piece crank, 170mm / '07 design 36T steel GT design	GT forged three-piece type, 175mm / '06 design GT steel, 42T.
BB	Steel, ball type	Mid size ball type with 8 spline Cr-Mo axle	Steel, ball type	Steel, ball type	Steel, Ball type
PEDALS	GT Jump design, resin	'05 GT Dirt/Street platform design, aluminium body, cr-mo axle	BMX platform design, aluminium body, fixed pins	GT Jump design, resin	BMX platform design, aluminium body, fixed pins
FREEWHEEL	16T	13T	14T	14T	16T Freewheel
CHAIN	KMC Z510	KMC Z510	KMC Z510	KMC Z510	KMC Z410
RIMS	mag wheels, sealed mech hubs with 14mm axle front and rear	Alex G303, aluminium, 48 hole, 31mm width	Alex G303, aluminium, 48 hole	Alex G303, aluminium, 48 hole	Aluminium, 36 hole, 31mm width
TYRES	GT Air Bags, 2.1"	Kenda Knipzion, 2.1"	Kenda Knipzion, 2.1"	GT Air Bags, 2.1"	GT Wing design, 2.125" front, 1.75" rear
FRONT HUB	Sealed mech, 14mm axle	Steel body, 14mm hi-carbon axle, 48 hole	Steel body, 14mm hi-carbon axle, 48 hole	Steel body, 14mm hi-carbon axle, 48 hole	GT Mohawk, aluminium shell, 36 hole
REAR HUB	Sealed mech, 14mm axle, thread on freewheel	Steel body, 14mm hi-carbon axle, 48 hole, single FW threads	Steel body, 14mm hi-carbon axle, 48 hole, single FW threads	Steel body, 14mm hi-carbon axle, 36 hole, single FW threads	GT Mohawk, aluminium shell, 36 hole
SPOKES	N/A	14G	14G	14G	14G
NIPPLES	N/A	Brass	Brass	Brass	Brass
FRONT BRAKE	Tektro 907, aluminium U-brake	Tektro 907, aluminium U-brake	Tektro 907, aluminium U-brake	Tektro 907, aluminium U-brake	N/A
REAR BRAKE	Tektro 907, aluminium U-brake	Tektro 907, aluminium U-brake	Tektro 907, aluminium U-brake	Tektro 907, aluminium U-brake	Tektro alloy V-type
BRAKE LEVERS	Tektro 289A full aluminium lever and clamp	Tektro, 299A, aluminium	Tektro 289A full aluminium lever and clamp	Tektro 289A full aluminium lever and clamp	Tektro, 319, aluminium
HANDLEBAR	'07 GT dirt/street dual radius bend, Hi-Ten, 7" rise	'07 GT dirt/street dual radius bend, Hi-Ten, 7" rise	'07 GT dirt/street dual radius bend, Hi-Ten, 7" rise	'07 GT dirt/street dual radius bend, Hi-Ten, 7" rise	GT BMX design, Hi-Ten, 7" rise
STEM	'09 GT freestyle drop design, aluminium	GT FS design, cold forged aluminium, machined GT logo	'09 GT freestyle drop design, aluminium	'09 GT freestyle drop design, aluminium	GT branded, aluminium
GRIPS	GT Wing shroom design	GT Wing shroom design	GT Wing shroom design	GT Wing shroom design	GT Wing waffle design, kraton material
HEADSET	TH, 1-1/8" threadless, steel	Tange Seiki FATTY 22, extra deep cup engagement, 1-1/8" threadless	TH, 1-1/8" threadless, steel	TH, 1-1/8" threadless, steel	VP-A74F HD steel, extra deep cup engagement, 1-1/8" threadless
SADDLE	GT freestyle design #12-B, 7mm rails	'08 Velo mini street design, 8mm rails	'08 Velo mini street design, 8mm rails	GT freestyle design #12-B, 7mm rails	GT BMX "Pro Lite", padded with stitched cover and 7mm rails
SEAT POST	Steel, 25.4mm	Aluminium, 25.4mm O.D.	Steel, 25.4mm	Steel, 25.4mm	Aluminium, 25.4mm O.D.
SEAT CLAMP	'08 GT CNC mini design	'08 GT CNC mini design	'08 GT CNC mini design	'08 GT CNC mini design	Alloy, GT Wing logo
EXTRAS	SST ORYG, two pair GT forged steel 38mm O.D. pegs	SST ORYG, 2pr. GT 38mm O.D. pegs	SST ORYG, 2pr. GT 38mm O.D. pegs	SST ORYG, two pair GT forged steel 38mm O.D. pegs	Pad set

UTILITY BMX

MODEL	MACH ONE EXPERT	MACH ONE JR. CB	MACH ONE MINI CB	LOLA
COLOURS	Blue	Black, Yellow	Blue, Red	Pink, Blue
SIZES	20" wheel / 18" top tube	16" wheel / 15.5" top tube	12" wheel / 12" top tube	20" wheel/16" wheel/12" wheel
FRAME	New '09 single down tube design, Hi-Ten steel, low stand-over height, V-brake on seat stays, 1-1/8" head tube	GT BMX dirt jump styling, Hi-Ten steel	GT BMX dirt jump styling, Hi-Ten steel	New '09 GT Lola design, low top tube for easy step through, aluminium 20", steel 16" & 12"
FORK	GT BMX design, 1-1/8" threadless steer, 1-1/8" O.D. blades	GT BMX design, 1" threaded steer, 1-1/8" O.D. blades	GT BMX design, 1" threaded steer, 1" O.D. blades	Steel uni-crown design, curved blades, 1" steerer
CRANKSET / CHAINWHEEL	Forged one-piece type, 127mm/ '06 design GT steel, 36T.	Forged one-piece type, 114mm/ '06 design GT steel, 32T.	Forged one-piece type, 92mm/ '06 design GT steel, 28T	Forged one-piece type, steel chainwheel with Lola graphics
BB	Steel, Ball type	Steel, Ball type	Steel, Ball type	Steel, Ball type
PEDALS	Jr. BMX design, resin	Jr. BMX design, resin	Jr. BMX design, resin	Resin
FREEWHEEL	16T. Cog	16T. Cog	16T. Cog	N/A
CHAIN	KMC Z410	KMC Z410	KMC Z410	N/A
RIMS	Alloy, 36 hole	Alloy, 28 hole	Alloy, 28 hole	Alloy 20"/16"/14"
TYRES	GT Wing design, 1.75" front and rear	GT Wing design, 1.6x2.125" (f&r)	GT Wing design, 1.2 x 2.25" (f&r)	GT Wing design
FRONT HUB	Steel, 36 hole	Steel, 28 hole, 3/8" axle	Steel, 28 hole, 3/8" axle	Steel, 3/8" axle
REAR HUB	Steel, 36 hole	Coaster brake, 28 hole, 16T cog	Coaster brake, 28 hole, 16T cog	Steel, 3/8" axle
SPOKES	14G	14G	14G	14 guage
NIPPLES	Brass	Brass	Brass	Brass
FRONT BRAKE	N/A	N/A	N/A	N/A
REAR BRAKE	V-type and hub type	hub type	hub type	hub type
BRAKE LEVERS	Tektro, 317A alloy	N/A	N/A	N/A
HANDLEBAR	GT BMX design, Hi-Ten, 6-3/4" rise	GT BMX design, Hi-Ten, 5.7" rise	GT BMX design, Hi-Ten, 6.25" rise	Steel, old fashion cruiser style
STEM	GT branded, 1-1/8" aluminium	1" steel with alloy cap	1" steel	1" steel
GRIPS	GT Wing waffle design, kraton material	GT Wing waffle design	GT Wing waffle design	GT Wing waffle design
HEADSET	VP-A74F HD steel, extra deep cup engagement, 1-1/8" threadless	Steel, 1"	Steel, 1"	Steel, 1"
SADDLE	GT BMX "Pro Lite", padded with stitched cover and 7mm rails	GT Jr. BMX design, padded with 7mm rails	GT Mini BMX design, padded 7mm rails	Padded with Lola graphics
SEAT POST	Steel, 25.4mm O.D.	Steel, 25.4mm O.D.	Steel, 22.2mm O.D.	steel
SEAT CLAMP	Alloy, GT Wing logo	Alloy, GT Wing logo	Alloy, GT Wing logo	N/A
EXTRAS	Pad set	Training wheels, Pad set	Training wheels, Pad set	N/A

MTB GEOMETRY DIAGRAMS



MTB GEOMETRY CHART

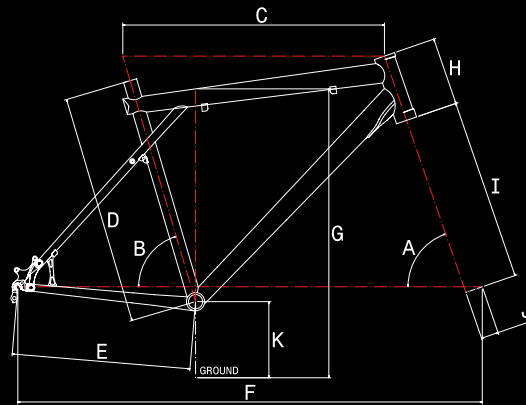
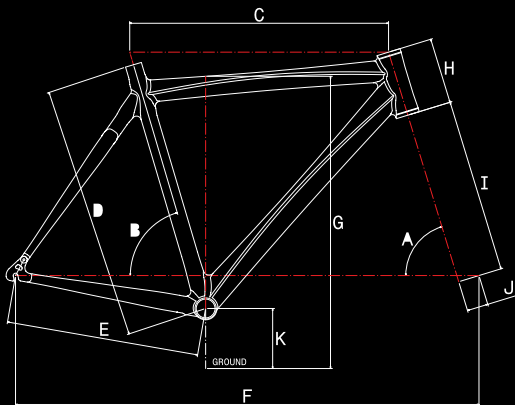
	SIZE	SEAT TUBE LENGTH	HORIZONTAL TOP TUBE LENGTH	STANDOVER HEIGHT	HEAD ANGLE	SEAT ANGLE	CHAINSTAY LENGTH	HEAD TUBE LENGTH	BOTTOM BRACKET HEIGHT	FORK OFFSET (RAKE)	WHEEL BASE
FULL SUSPENSION											
FORCE CARBON EXPERT	XS	437.3	549.99	705.2	69	72.7	433.3	105	345.3	40	1070.00
	S	447.3	564.98	702.5	69	72.7	433.3	105	345.3	40	1084.97
	M	472.3	585.03	713.1	69	72.7	433.3	115	345.3	40	1105.50
	L	487.3	599.97	729.9	69	72.6	433.3	130	345.3	40	1121.33
	XL	512.3	629.99	750.7	69	72.6	433.3	150	345.3	40	1152.46
FORCE 1.0, 2.0, 3.0	XS	433.2	550.01	700.2	69	72.9	430.8	100	347.0	40	1070.19
	S	443.2	565.01	702.6	69	72.9	430.8	100	347.0	40	1085.19
	M	468.1	584.97	718.2	69	72.9	430.8	110	347.0	40	1105.84
	L	483.2	599.99	732.2	69	72.9	430.8	130	347.0	40	1121.87
	XL	508.1	630.00	752.9	69	72.8	430.8	150	347.0	40	1152.94
MARATHON CARBON TEAM, PRO, EXPERT	XS	425.7	551.04	705.6	71	73.0	430.5	100	333.0	39	1041.04
	S	445.8	561.04	724.9	71	73.0	430.5	110	333.0	39	1051.30
	M	481.0	589.05	758.7	71	73.0	430.5	120	333.0	39	1081.63
	L	506.0	612.79	782.7	71	73.0	430.5	140	333.0	39	1104.36
	XL	514.0	634.95	790.4	71	73.0	430.5	155	333.0	39	1124.90
MARATHON ELITE, SPORT	XS	425.7	550.00	705.6	71	73.0	430.5	100	333.0	39	1041.04
	S	445.8	560.40	724.9	71	73.0	430.5	110	333.0	39	1051.30
	M	481.0	588.91	758.7	71	73.0	430.5	120	333.0	39	1081.63
	L	506.0	612.00	782.7	71	73.0	430.5	140	333.0	39	1104.36
	XL	514.0	630.58	790.4	71	73.0	430.5	155	333.0	39	1124.90

MTB GEOMETRY CHART

	SIZE	SEAT TUBE LENGTH	HORIZONTAL TOP TUBE LENGTH	STANDOVER HEIGHT	HEAD ANGLE	SEAT ANGLE	CHAINSTAY LENGTH	HEAD TUBE LENGTH	BOTTOM BRACKET HEIGHT	FORK OFFSET (RAKE)	WHEEL BASE
HARDTAIL											
ZASKAR CARBON TEAM, PRO, EXPERT	XS	375.4	539.63	647.6	70.5	73.0	419.0	100	298.0	39	1010.38
	S	421.2	565.11	688.1	71	73.0	419.0	105	298.0	39	1031.42
	M	470.6	596.74	719.8	71	73.0	419.0	110	298.0	39	1063.26
	L	507.0	616.69	751.8	71	73.0	419.0	130	298.0	39	1083.94
	XL	545.2	634.66	788.9	71	73.0	419.0	160	298.0	39	1102.98
ZASKAR EXPERT	XS	375.4	546.63	642.0	70.5	73.0	419.0	110	305.0	39	1012.16
	S	421.2	562.43	705.4	71	73.0	419.0	110	305.0	39	1030.47
	M	470.2	598.62	744.1	71	73.0	419.0	110	305.0	39	1066.56
	L	507.2	619.68	777.9	71	73.0	419.0	130	305.0	39	1088.34
	XL	545.2	633.72	811.1	71	73.0	419.0	160	305.0	39	1103.03
AVALANCHE EXPERT, 1.0, 2.0, 3.0	XS	383.9	533.79	636.4	71	73.5	420.0	115	298.0	41	1001.51
	S	415.6	545.83	691.7	71	73.5	420.0	115	298.0	41	1019.76
	M	466.4	576.58	734.4	71	73.5	420.0	130	298.0	41	1051.18
	L	504.5	594.87	766.3	71	73.5	420.0	145	298.0	41	1070.03
	XL	542.6	617.96	797.7	71	73.5	420.0	160	298.0	41	1093.70
AVALANCHE GTw 1.0, 2.0, 3.0	XS	355.0	517.42	616.4	71	74.5	420.0	120	298.0	41	992.76
	S	385.0	538.96	640.2	71	74.5	420.0	120	298.0	41	1013.62
	M	415.0	544.15	694.9	71	74.5	420.0	135	298.0	41	1028.99
	L	466.0	573.17	733.5	71	74.5	420.0	150	298.0	41	1058.94
AGGRESSOR/OUTPOST	XS	383.9	536.74	626.0	71	73.5	420.0	100	298.0	41	1001.47
	S	415.6	545.91	693.3	71	73.5	420.0	115	298.0	41	1020.17
	M	466.4	576.63	735.0	71	73.5	420.0	130	298.0	41	1051.36
	L	504.5	594.97	767.8	71	73.5	420.0	145	298.0	41	1070.42
	XL	542.6	618.04	799.4	71	73.5	420.0	160	298.0	41	1094.11
	XXL	570.0	644.95	822.8	71	73.5	420.0	175	298.0	41	1121.67

MTB GEOMETRY CHART

	SIZE	SEAT TUBE LENGTH	HORIZONTAL TOP TUBE LENGTH	STANDOVER HEIGHT	HEAD ANGLE	SEAT ANGLE	CHAINSTAY LENGTH	HEAD TUBE LENGTH	BOTTOM BRACKET HEIGHT	FORK OFFSET (RAKE)	WHEEL BASE
HARDTAIL											
RUCKUS DX	S	310.0	565.86	621.0	69	73.5	410.0	110	308.0	41	1057.75
	M	310.0	592.77	617.5	69	73.5	410.0	110	308.0	41	1084.56
RUCKUS SX	S	310.0	565.86	621.0	69	73.5	410.0	110	308.0	41	1057.75
	M	310.0	592.77	617.5	69	73.5	410.0	110	308.0	41	1084.56
RUCKUS UF	U	320.0	599.0	618	70	71	402	100	303	45	1047
CHUCKER 1.0, 2.0, 3.0	S	380.0	570.00	675.8	68	71.3	420.0	100	310.0	41	1056.79
STOMPER 24" BOYS	U	345.0	513.38	588.0	70	73.0	410.0	105	275.0	40	977.96
LAGUNA 24" GIRLS	XS	375.0	522.86	516.1	70	73.0	410.0	95	275.0	40	990.31
LAGUNA 26" LADIES	S	356.0	530.00	590.0	70	74.0	436.0	100	293.0	45	1034.64
	M	407.0	543.38	589.0	70	74.0	436.0	100	293.0	45	1048.02
	L	457.0	543.38	589.0	70	74.0	436.0	100	293.0	45	1048.02
STOMPER SCAMP 20"	XXS	280.0	486.97	509.0	69.5	71.0	380.0	105	254.0	38	914.05
PEACE	S	385.0	568.78	671.8	71	73.0	426.2	90	303.0	45	1050.75
	M	455.0	603.13	730.7	71	72.0	426.2	105	303.0	45	1075.61
	L	525.0	619.57	787.5	71	71.0	426.2	125	303.0	45	1081.97
PEACE 9R	S	381.0	590.09	676.5	71	74.0	446.3	80	307.0	45	1092.69
	M	432.0	612.01	723.4	72	73.0	446.3	90	307.0	45	1094.90
	L	483.0	633.00	766.8	72	72.0	446.3	100	307.0	45	1105.32

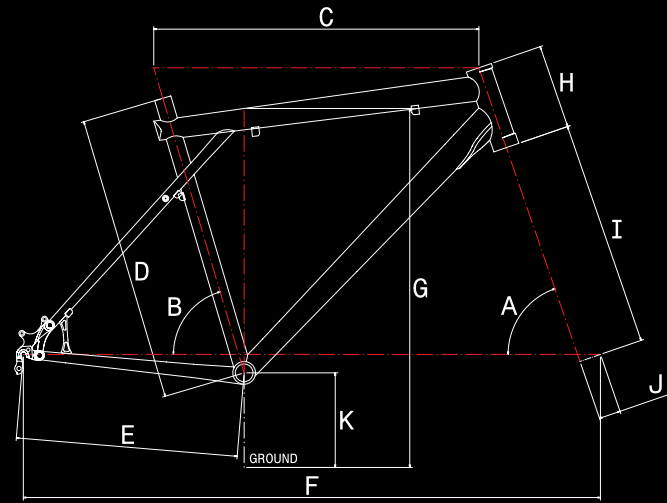
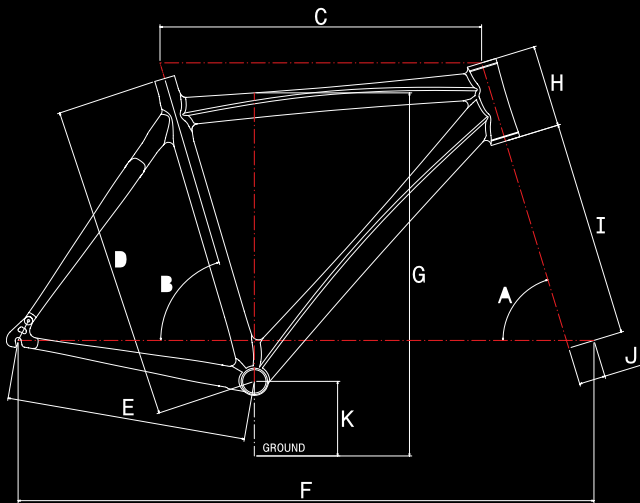


MTB GEOMETRY CHART

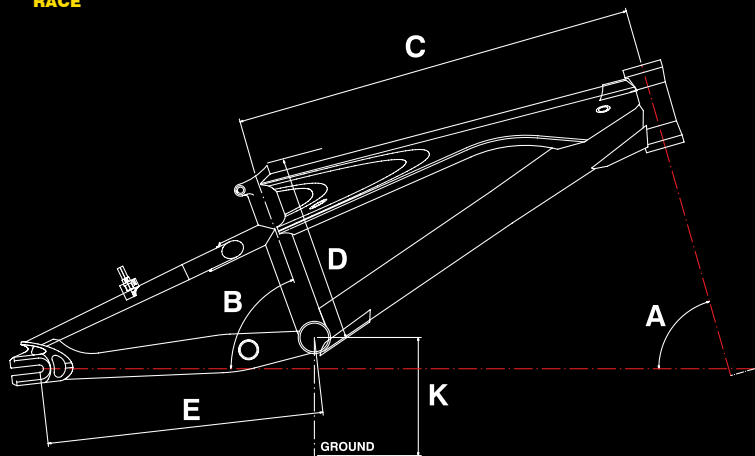
	SIZE	SEAT TUBE LENGTH	HORIZONTAL TOP TUBE LENGTH	STANDOVER HEIGHT	HEAD ANGLE	SEAT ANGLE	CHAINSTAY LENGTH	HEAD TUBE LENGTH	BOTTOM BRACKET HEIGHT	FORK OFFSET (RAKE)	WHEEL BASE
PAVEMENT											
NOMAD/NOMAD SPORT	S	448.0	560.00	708.0	70.5	73.5	440.0	115.00	273.0	50	1054.41
	M	492.0	572.00	744.0	71.5	73.5	440.0	115.00	273.0	50	1056.67
	L	543.0	590.00	782.3	71.5	73.5	440.0	115.00	273.0	50	1074.66
	XL	594.0	600.00	824.1	71	73.0	440.0	135.00	273.0	50	1084.90
NOMAD/NOMAD WOMEN'S SPORT	S	432.0	545.89	586.6	71	74.0	450.0	110.00	273.0	50	1050.86
	M	483.0	555.00	591.1	71	73.5	450.0	130.00	273.0	50	1055.52
TRANSEO Ultra, 1.0 Disc, 2.0 Disc, 3.0 Disc, 4.0 V-Brake	XS	406.0	560.55	631.7	70.5	74.0	450.0	110.00	273.0	50	1055.29
	S	448.0	559.38	706.6	71	74.0	450.0	110.00	273.0	50	1064.49
	M	492.0	572.08	742.0	72	74.0	450.0	110.00	273.0	50	1067.31
	L	543.0	590.33	780.3	72	74.0	450.0	110.00	273.0	50	1085.49
	XL	594.0	597.36	822.7	72	73.5	450.0	130.00	273.0	50	1087.63
TRANSEO LTD (Nexus 8)	S	448.0	559.38	706.6	71	74.0	455.0	110.00	273.0	50	1069.56
	M	492.0	572.08	742.0	72	74.0	455.0	110.00	273.0	50	1072.38
	L	543.0	590.33	780.3	72	74.0	455.0	110.00	273.0	50	1090.55
	XL	594.0	597.36	822.7	72	73.5	455.0	130.00	273.0	50	1092.69
TRANSEO 5.0 (Rigid)	S	448.0	559.38	706.6	71	74.0	450.0	155.00	273.0	50	1064.49
	M	492.0	572.12	741.7	72	74.0	450.0	155.00	273.0	50	1067.32
	L	543.0	590.40	780.0	72	74.0	450.0	155.00	273.0	50	1085.51
	XL	594.0	597.40	822.4	72	73.5	450.0	175.00	273.0	50	1087.63

MTB GEOMETRY CHART

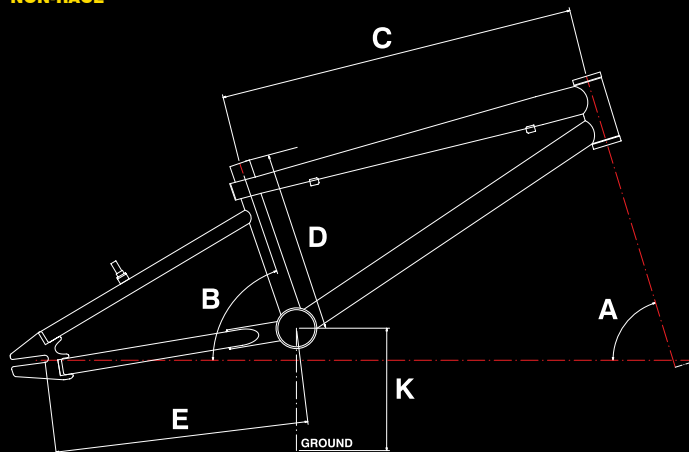
	SIZE	SEAT TUBE LENGTH	HORIZONTAL TOP TUBE LENGTH	STANDOVER HEIGHT	HEAD ANGLE	SEAT ANGLE	CHAINSTAY LENGTH	HEAD TUBE LENGTH	BOTTOM BRACKET HEIGHT	FORK OFFSET (RAKE)	WHEEL BASE
ROAD											
GTR CARBON TEAM, PRO	S	660.0	540.65	742.3	73	74.0	410.0	124	270.0	43	977.57
	M	700.0	550.32	761.3	73	73.5	410.0	144	270.0	43	982.75
	L	720.0	564.69	782.9	73.5	73.0	410.0	159	275.0	43	990.10
	XL	740.0	579.35	802.6	74	73.0	410.0	179	275.0	43	999.91
GTR CARBON EXPERT, SPORT	XS	500.0	536.28	723.8	72.5	74.5	410.0	109	270.0	43	981.44
	S	520.0	540.65	742.3	73	74.0	410.0	124	270.0	43	977.57
	M	540.0	550.32	761.3	73	73.5	410.0	144	270.0	43	982.75
	L	560.0	564.69	782.9	73.5	73.0	410.0	159	275.0	43	990.10
GTR SERIES 1, 2, 3, 4	XL	580.0	579.35	802.6	74	73.0	410.0	179	275.0	43	999.91
	XS	440.0	526.65	683.4	72	75.0	405.0	95	269.0	43	974.20
	S	470.0	538.88	715.6	72.5	74.0	405.0	125	272.0	43	975.90
	M	500.0	555.31	745.3	73	73.5	405.0	155	272.0	43	983.73
L	540.0	575.66	779.5	73.5	73.0	405.0	175	272.0	43	994.43	
XL	575.0	599.06	811.5	74	72.5	405.0	195	275.0	43	1008.86	



RACE



NON-RACE



BMX GEOMETRY CHART

RACE	SIZE	H ANGLE	S ANGLE	HOR TTL	STL (TOP)	CSL	WHL BASE	TTH	HTL	LL	RAKE	BBH
RACE	A	B	C	D	E	F	G	H	I	J	K	L
UB2	U	73.0	73.5	550	540	410	982	774	155	368	43	269
POWER SERIES ULTRA BOX	U	74.0	70.0	573	237	368	960	535	114	316	33	302
POWER SERIES 24	U	73.0	70.0	567	261	407	985	565	114	368	33	311
POWER SERIES XL	U	74.0	70.5	566	234	376	965	524	114	316	33	308
POWER SERIES PRO	U	72.0	70.0	539	257	368	908	540	100	325	0	314
POWER SERIES EXPERT	U	73.0	69.5	535	240	383	931	503	100	308	28	281
POWER SERIES JR.	U	72.0	71.0	491	230	336	853	482	75	308	28	269
POWER SERIES MICRO	U	72.0	71.0	436	205	330	789	453	65	297	28	260
DIRT/STREET	SIZE	H ANGLE	S ANGLE	HOR TTL	STL (TOP)	CSL	WHL BASE	TTH	HTL	LL	RAKE	BBH
FUELER	U	74.5	71.0	563	266	350	934	547	114	328	33	306
BUMP	U	74.5	71.0	550	267	362	932	545	100	329	33	298
FLY	U	74.5	71.0	531	267	371	922	546	100	329	33	298
STREET/PARK	SIZE	H ANGLE	S ANGLE	HOR TTL	STL (TOP)	CSL	WHL BASE	TTH	HTL	LL	RAKE	BBH
CALAFIA NON-RACE	U	75.0	69.0	569	267	350	912	540	114	320	25	298
EL CENTRO	U	75.0	69.0	558	240	349	888	480	100	329	13	241
EL CENTRO 18	U	74.0	69.0	462	220	328	786	454	100	282	13	258
EL CENTRO 16	U	74.0	69.0	462	220	328	786	454	100	282	13	258
FREESTYLE	SIZE	H ANGLE	S ANGLE	HOR TTL	STL (TOP)	CSL	WHL BASE	TTH	HTL	LL	RAKE	BBH
PERFORMER	U	73.0	67.5	547	270	357	906	540	100	329	30	292
COMPE	U	73.0	67.5	533	270	357	892	540	100	329	30	292
ZONE	U	73.0	67.5	507	270	357	866	541	100	329	30	292
AIR	U	73.0	67.7	506	240	371	888	516	100	329	36	292
SLAMMER	U	73.0	67.7	506	240	371	888	516	100	329	36	292
MACH ONE PRO	U	73.0	71.0	522	242	371	926	530	100	322	33	305
MACH ONE EXPERT	U	73.0	71.0	483	235	355	859	478	90	313	33	260
MACH ONE JR.	U	72.0	71.0	415	220	302	751	428	75	269	28	238
MACH ONE MINI	U	69.0	70.0	323	180	225	592	341	75	215	28	182

GT
BICYCLES

WWW.GTBICYCLES.COM



WWW.WHEELS4LIFE.ORG
WHEELS 4 LIFE
A HANS REY CHARITY

I M B A
INTERNATIONAL MOUNTAIN BICYCLING ASSOCIATION

MONZA
IMPORTS

Distributed in Australia by Monza Imports
PO Box 2070 North Melbourne Vic 3051

DOREL