

*Campagnolo*®

**SPARE PARTS**  
**and TOOLS**  
**catalogue**

2007

## SERIE STERZO • HEADSET • STEUERSATZ • JEU DE DIRECTION

Record™ - Record™ Threadless™ 1" - 1-1/8" .....	1
Record™ Hiddenset™ 1-1/8" - 1-1/8" TTC™ □	2
Chorus™ Threadless™ .....	1
Chorus™ Hiddenset™ 1-1/8" - 1-1/8" TTC™ - Centaur™ Hiddenset™ 1-1/8" .....	3

## REGGISSELLA • SEAT POST • SATTELSTÜTZE • TIGE DE SELLE

Record™ Carbon - Chorus™ Carbon - Centaur™ .....	4
--	---

## MOVIMENTO CENTRALE • BOTTOM BRACKET • INNENLAGER • JEU DE PEDALIER

Record™ Pista™ .....	5
Centaur™ .....	6
Veloce™ .....	7

## GUARNITURA • CRANKSET • KETTENRADGARNITUR • PEDALIER

Record™ ULTRA-TORQUE™ Carbon 10s ..□	8
Record™ ULTRA-TORQUE™ CT™ Carbon 10s .....	9
Record™ Pista™ .....	10
Chorus™ ULTRA-TORQUE™ Carbon 10s ..□	11
Chorus™ ULTRA-TORQUE™ CT™ Carbon 10s .....	12
Centaur™ ULTRA-TORQUE™ 10s .....	13
Centaur™ ULTRA-TORQUE™ CT™ 10s ..□	14
Veloce™ ULTRA-TORQUE™ 10s - Veloce™ INFINITE™ ULTRA-TORQUE™ 10s .....	15
Veloce™ ULTRA-TORQUE™ CT™ 10s - Veloce™ INFINITE™ ULTRA-TORQUE™ CT™ 10s .....	16
Mirage™ ULTRA-TORQUE™ 10s .....	17
Mirage™ ULTRA-TORQUE™ CT™ 10s ..□	18
Xenon™ CT™ 10s .....	19
Comp Triple™ 10s .....	20
Race Triple™ 10s .....	21
Champ Triple™ 9s .....	22
Time Trial™ chainrings .....	23

**CAMBIO • REAR DERAILLEUR • SCHALTUNG • DERAILLEUR ARRIERE**

Record™ 10s .....	□	24
Chorus™ 10s .....	□	25
Centaur™ 10s .....	□	26
Veloce™ 10s - Veloce™ INFINITE™ 10s .....	□	27
Mirage™ 10s .....	□	28
Xenon™ 10s .....	□	29
Comp Triple™ 10s .....	□	30
Race Triple™ 10s .....	□	31
Champ Triple™ 9s .....	□	32

**DERAGLIATORE • FRONT DERAILLEUR • UMWERFER • DERAILLEUR AVANT**

Record™ QS™ 10s .....	□	33
Record™ QS™ CT™ 10s .....	□	34
Chorus™ QS™ 10s .....	□	35
Chorus™ QS™ CT™ 10s .....	□	36
Centaur™ QS™ 10s .....	□	37
Centaur™ QS™ CT™ 10s .....	□	38
Veloce™ QS™ 10s - Veloce™ QS™ INFINITE™ 10s .....	□	39
Veloce™ QS™ CT™ 10s - Veloce™ QS™ INFINITE™ CT™ 10s .....	□	40
Mirage™ QS™ 10s .....	□	41
Mirage™ QS™ CT™ 10s .....	□	42
Xenon™ QS™ CT™ 10s .....	□	43
Comp Triple™ 10s .....	□	44
Race Triple™ 10s .....	□	45
Champ Triple™ 9s .....	□	46

**ERGOPOWER™ CONTROL LEVERS**

Record™ QS™ 10s .....	□	47
Chorus™ QS™ 10s .....	□	48
Centaur™ QS™ ESCAPE™ 10s .....	□	49
Veloce™ QS™ ESCAPE™ 10s .....	□	50
Mirage™ QS™ ESCAPE™ 10s .....	□	51
Xenon™ QS™ ESCAPE™ 10s .....	□	52
Ergopower™ control levers / rear derailleurs cross compatibility .....	□	53

## ERGOPOWER™ FLAT-BAR CONTROL LEVERS

Chorus™ FB 10s . . . . .□	55
Veloce™ FB 10s . . . . .□	56
Veloce™ FB 10s for Linear Pull Cantilever brakes . . . . .	57
Mirage™ FB 10s . . . . .□	58
Mirage™ FB 10s for Linear Pull Cantilever brakes . . . . .	59

## FRENI • BRAKES • BREMSSEN • FREINS

Record-D™ SKELETON™ . . . . .□	60
Chorus-D™ SKELETON™ . . . . .□	61
Centaur-D™ SKELETON™ . . . . .□	62
Centaur™ . . . . .□	63
Veloce-D™ SKELETON™ - Veloce-D™ INFINITE™ SKELETON™ . . . . .	64
Veloce™ . . . . .□	65
Veloce™ Linear Pull Cantilever . . . . .□	66
Mirage™ Black . . . . .□	67
Mirage™ Black Linear Pull Cantilever . . . . .□	68

## BAR-END

Time Trial™ Bar-End . . . . .□	69
--------------------------------	----

## COMANDI FRENO • BRAKE LEVERS • BREMSHEBEL • POIGNEES DE FREINS

Record™ Carbon . . . . .□	70
---------------------------	----

## BLOCCAGGI • QUICK RELEASES • SCHNELLSPANNER • BLOCAGES

Complete quick-releases and spares . . . . .□	71
---	----

**MOZZI • HUBS • NABEN • MOYEUX**

Record™ front hub . . . . .	□	72
Record™ rear hub . . . . .	□	73
Centaur™ / Veloce™ front and rear hub . . . . .	□	74
Mirage™ front and rear hub . . . . .	□	75
Record™ Pista™ front hub . . . . .	□	76
Record™ Pista™ rear hub . . . . .	□	77

**GHIERE • LOCKRINGS • VERSCHLUSSRING • ECROUS**

Complete range . . . . .	□	78
--------------------------	---	----

**PIGNONI • SPROCKETS • RITZEL • CASSETTES**

Record™ UD™ 10s . . . . .	□	79
Record™ UD™ 10s Titanium . . . . .	□	80
Chorus™ UD™ 10s . . . . .	□	81
Centaur™ UD™ 10s . . . . .	□	82
Veloce™ UD™ 10s . . . . .	□	83
Veloce™ UD™ 9s (Mirage™ compatible) . . . . .	□	84

**PEDALI • PEDALS • PEDALE • PEDALES**

Record™ Pro-Fit PLUS™ . . . . .	□	85
Chorus™ Pro-Fit PLUS™ . . . . .	□	85
Other spares . . . . .	□	86

**CAVI E GUAINA • CABLES AND CASINGS • KABEL UND HÜLLEN • CABLES ET GAINES**

Complete sets . . . . .	□	88
Single parts . . . . .	□	89

**ERGOBRAIN™**

Parts . . . . .	□	90
-----------------	---	----

**VARI • VARIOUS • VERSCHIEDENES • DIVERSES**

Ergopower™ control levers blocks / 8s adapter kit for 9/10s / HD-Link™ / Wheel bag . . . . .	92
Original spare parts . . . . . □	93

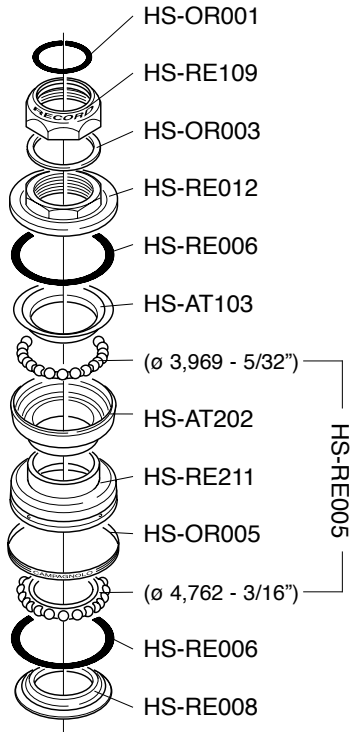
**RUOTE • WHEELS • LAUFRÄDER • ROUES**

LOW-PROFILE WHEEL - Hyperon™ Ultra™ clincher . . . . .	94
LOW-PROFILE WHEEL - Hyperon™ Ultra™ tubular . . . . .	95
LOW-PROFILE WHEEL - Neutron™ clincher . □	96
LOW-PROFILE WHEEL - Neutron™ Ultra™ clincher . . . . .	97
MEDIUM-PROFILE WHEEL - Shamal™ Ultra™ clincher . . . . .	98
MEDIUM-PROFILE WHEEL - Shamal™ Ultra™ tubular . . . . .	99
MEDIUM-PROFILE WHEEL - Eurus™ clincher . . . . .	100
MEDIUM-PROFILE WHEEL - Eurus™ tubular . . . . .	101
MEDIUM-PROFILE WHEEL - Zonda™ clincher . . . . .	102
MEDIUM-PROFILE WHEEL - Scirocco™ clincher . . . . .	103
MEDIUM-PROFILE WHEEL - Vento™ clincher . . . . .	104
MEDIUM-PROFILE WHEEL - Khamsin™ clincher . . . . .	105
HIGH-PROFILE WHEEL - Bora™ Ultra™ tubular . . . . .	106
HIGH-PROFILE WHEEL - Pista™ tubular . . . □	107
Bora™ Ultra™ / Hyperon™ Ultra™ tubular / Hyperon™ Ultra™ clincher front hub . . . . .	108
Bora™ Ultra™ / Hyperon™ Ultra™ tubular / Hyperon™ Ultra™ clincher rear hub . . . . .	109
Eurus™ / Zonda™ / Shamal™ Ultra™ front hub . . . . .	110
Eurus™ / Zonda™ / Shamal™ Ultra™ rear hub . . . . .	111
Neutron™ / Neutron™ Ultra™ front hub . . . . □	112
Neutron™ / Neutron™ Ultra™ rear hub . . . . □	113
Scirocco™ front and rear hub . . . . . □	114
Vento™ / Khamsin™ front and rear hub . . . . □	115
Pista™ front hub . . . . . □	116
Pista™ rear hub . . . . . □	117

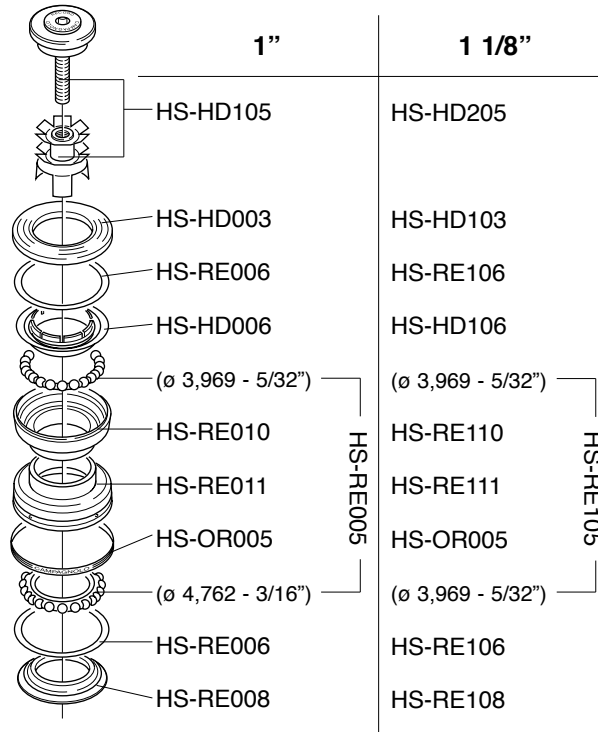
## UTENSILI • TOOLS • WERKZEUGE • OUTILS

Recommended tools . . . . .	□	118
Headset . . . . .	□	119
Bottom bracket . . . . .	□	124
Frame preparation . . . . .	□	128
Cranks / chainrings . . . . .	□	130
Hubs & wheels . . . . .	□	132
Sprockets / chains . . . . .	□	135
Glossary . . . . .	□	136
Service Centers . . . . .	□	137

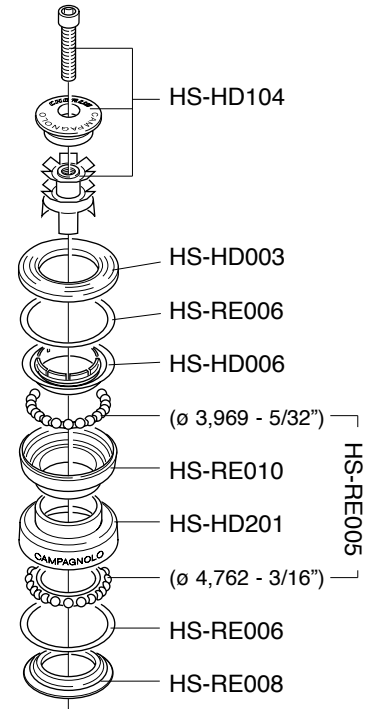
**RECORD™  
HS7-RE**



**RECORD™ Threadless™  
1": HS00-RETH  
1 1/8": HS00-RETHOS**

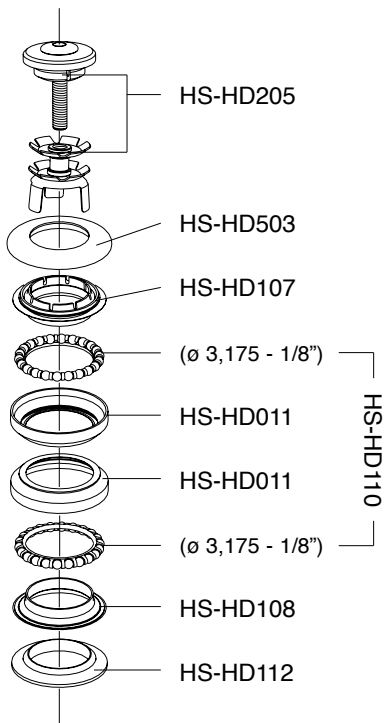


**CHORUS™  
Threadless™  
HS00-CHTH**

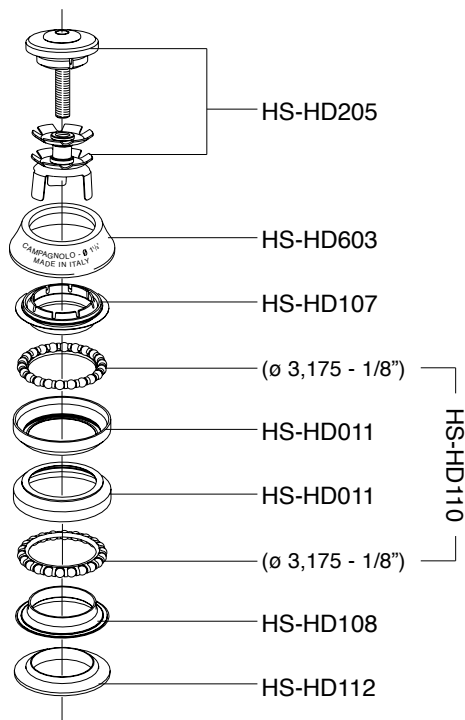




**RECORD™**  
**Hiddenset™**  
**1 1/8": HS03-REHIOS**



**RECORD™**  
**Hiddenset™ TTC™**  
**1 1/8": HS03-REHIOST**

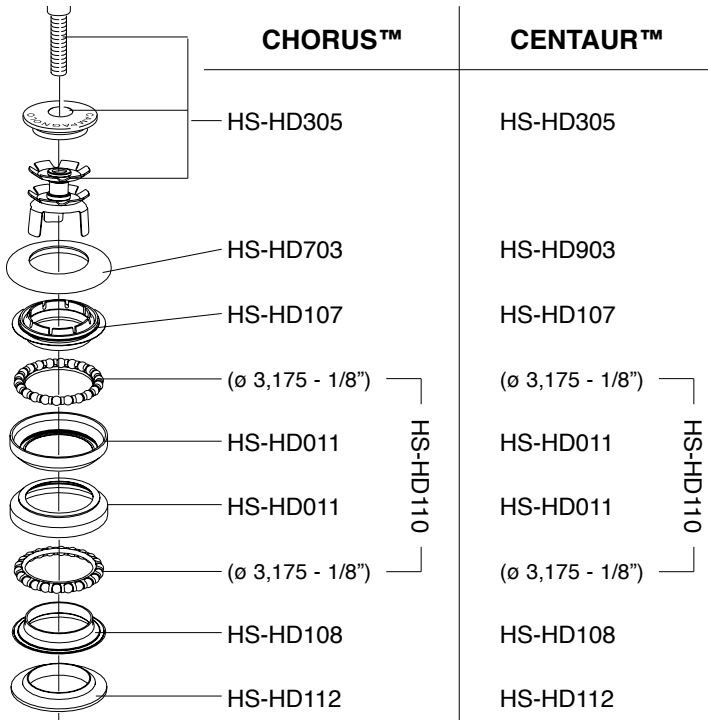


**CHORUS™ Hiddenset™**

1 1/8": HS03-CHHIOS

**CENTAUR™ Hiddenset™**

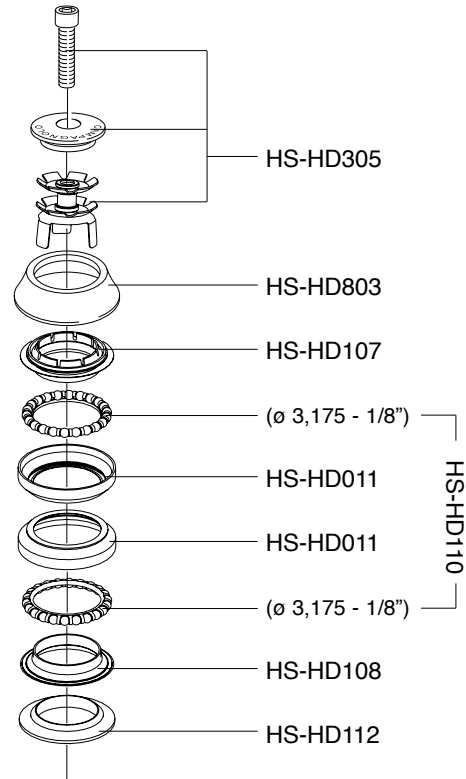
1 1/8": HS4-CEH8



**CHORUS™ Hiddenset™**

**TTC™**

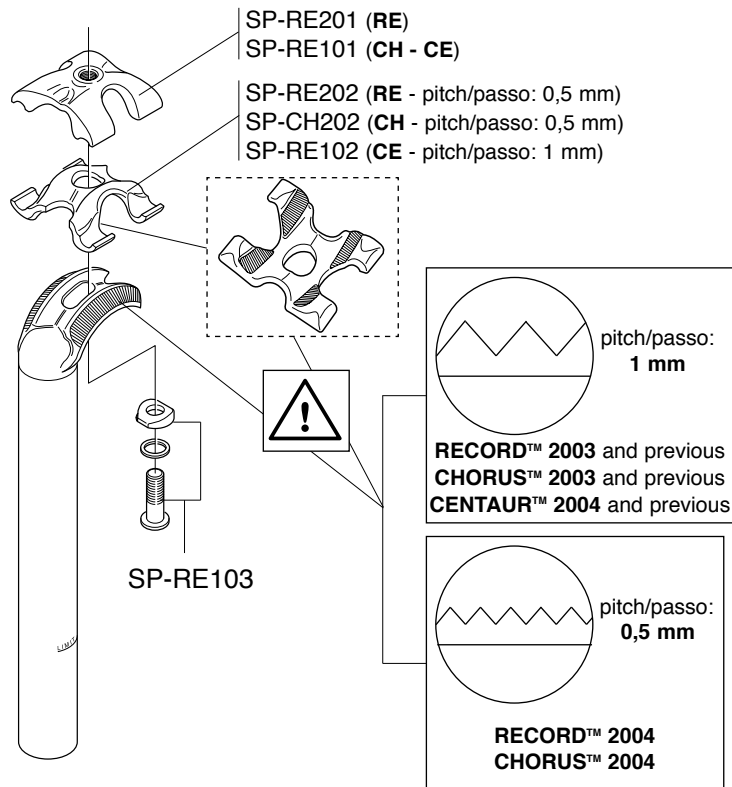
1 1/8": HS03-CHHIOST



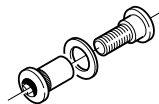
**RECORD™**  
**Carbon**  
**SP4-RE27C**  
**SP4-RE31CL**  
**SP4-RE32CL**

**CHORUS™**  
**Carbon**  
**SP4-CH27C**  
**SP4-CH31CL**  
**SP4-CH32CL**

**CENTAUR™**  
**SP4-CE27**



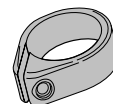
**5-SP-RE104 (5 pcs.)**  
**50-SP-RE104 (50 pcs.)**



**SP-RE106 (1 pc.)**  
**5-SP-RE106 (5 pcs.)**  
 per tubi Ø 31,6 / 31,9 mm  
 for tubes Ø 31,6 / 31,9 mm

**SP-RE108 (1 pc.)**  
**5-SP-RE108 (5 pcs.)**  
 per tubi Ø 34,9 / 35,2 mm  
 for tubes Ø 34,9 / 35,2 mm

**SP-RE107 (1 pc.)**  
**5-SP-RE107 (5 pcs.)**  
 per tubi Ø 35,5 / 35,8 mm  
 for tubes Ø 35,5 / 35,8 mm



**! WARNING!**

With the 2004 product range the pitch of all the heads (5 - Fig. 1) on the RECORD™ and CHORUS™ seat post tubes and the relevant seat clamps (1 - Fig. 1) has been reduced from 1 mm to 0.5 mm. A seat clamp (1 - Fig. 1) with 0.5 mm pitch is not compatible with heads (5 - Fig. 1) with a 1-mm pitch and vice versa. NEVER use seat clamps and heads that are not compatible with one another; the seat clamp could slip causing you to lose control of your bicycle, resulting in an accident, personal injury or death.

**! ATTENZIONE!**

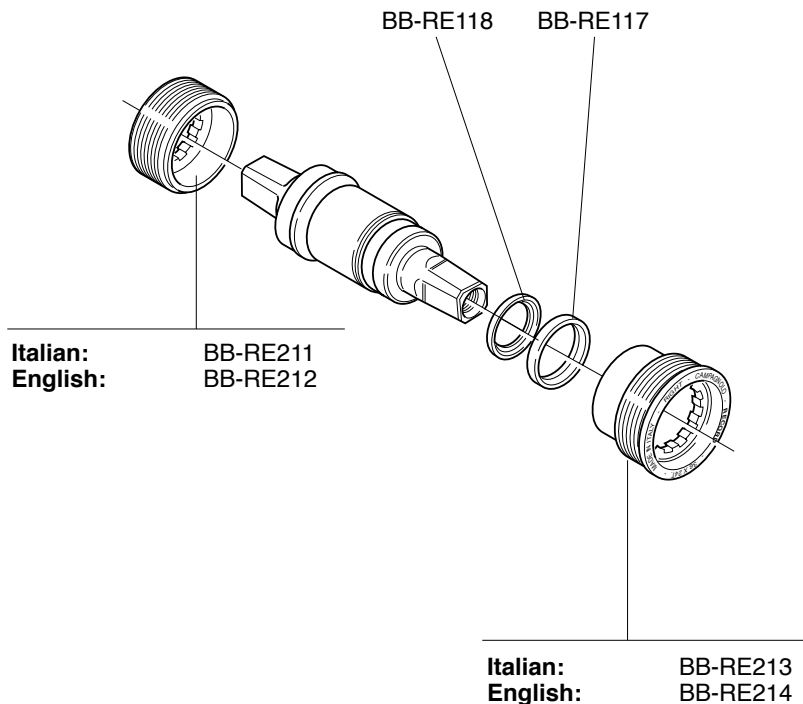
A partire dalla gamma 2004 è stato dimezzato il passo (da 1 mm a 0,5 mm) di tutte le teste (5 - Fig. 1) e delle relative staffe inferiori (1 - Fig. 1) dei reggisella RECORD™ e CHORUS™. Una staffa (1 - Fig. 1) con passo da 0,5 mm non è compatibile con le teste (5 - Fig. 1) con passo da 1 mm e viceversa. Non utilizzate MAI staffe e teste non compatibili tra loro; la staffa potrebbe slittare e potreste incorrere in incidenti, lesioni fisiche o morte.

**RECORD™ PISTA™**

**111 mm**

**BB01-REPIIT**

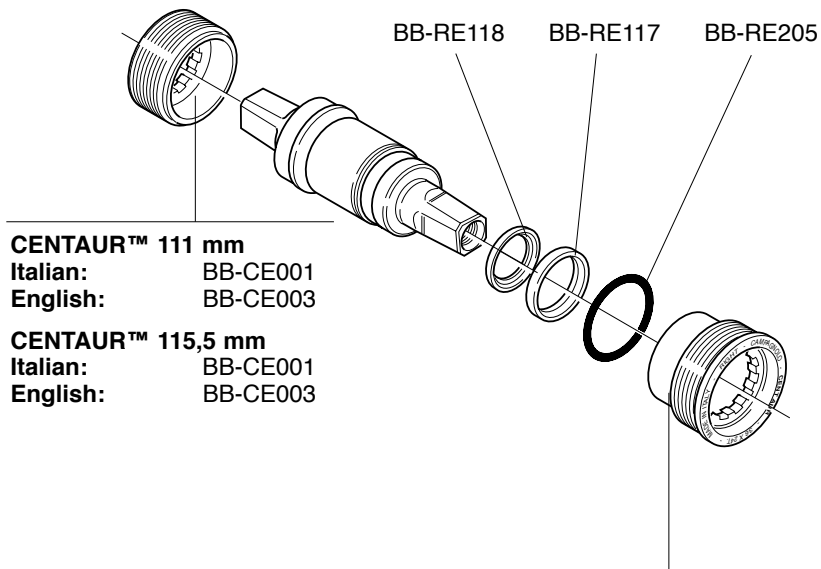
**BB01-REPIBC**



## **CENTAUR™**

**111 mm**  
**BB5-CE1I**  
**BB5-CE1G**

**115,5 mm**  
**BB6-CE5I**  
**BB6-VE5G**



**CENTAUR™ 111 mm**  
**Italian:** BB-CE001  
**English:** BB-CE003

**CENTAUR™ 115,5 mm**  
**Italian:** BB-CE001  
**English:** BB-CE003

**CENTAUR™ 111 mm**  
**Italian:** BB-CE002  
**English:** BB-CE004

**CENTAUR™ 115,5 mm**  
**Italian:** BB-CE102  
**English:** BB-CE104

**VELOCE™**

**111 mm**

**BB6-VL1I**

**BB6-VL1G**

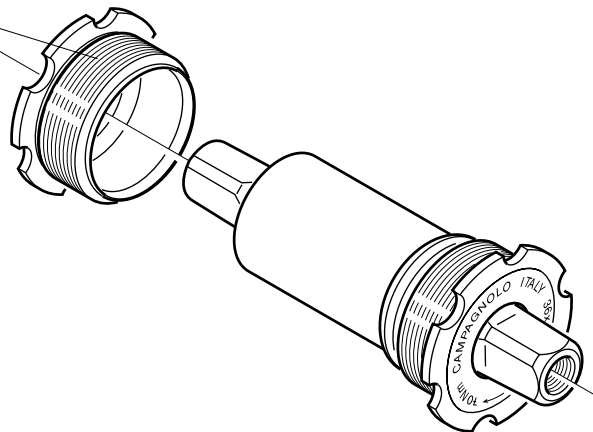
**115,5 mm**

**BB6-VL5I**

**BB6-VL5G**

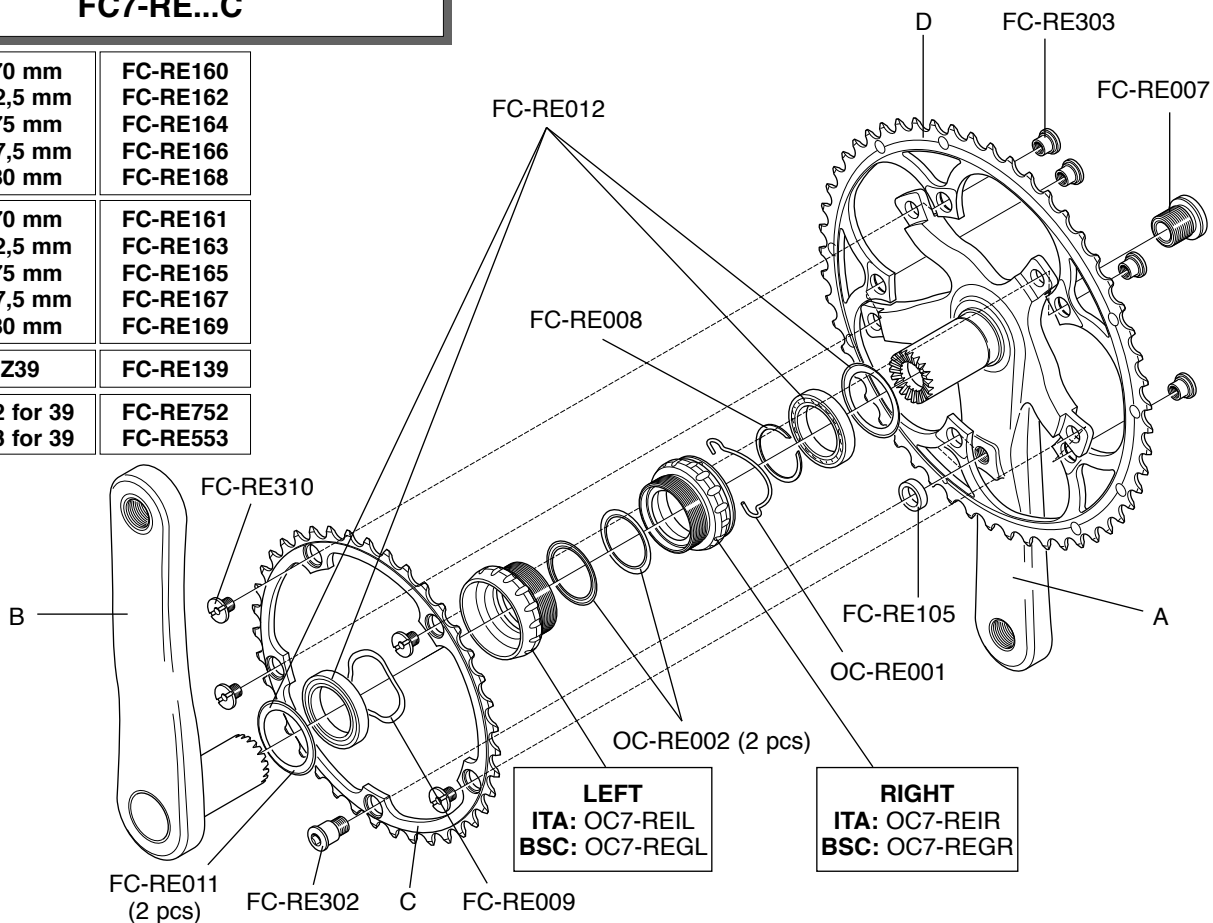
**ITALIAN:**  
BB-VL101 (VELOCE™)

**ENGLISH:**  
BB-VL103 (VELOCE™)



**RECORD™ ULTRA-TORQUE™**  
**Carbon 10s**  
**FC7-RE...C**

<b>A</b>	170 mm	FC-RE160
	172,5 mm	FC-RE162
	175 mm	FC-RE164
	177,5 mm	FC-RE166
	180 mm	FC-RE168
<b>B</b>	170 mm	FC-RE161
	172,5 mm	FC-RE163
	175 mm	FC-RE165
	177,5 mm	FC-RE167
	180 mm	FC-RE169
<b>C</b>	<b>Z39</b>	<b>FC-RE139</b>
<b>D</b>	<b>Z52 for 39</b>	<b>FC-RE752</b>
	<b>Z53 for 39</b>	<b>FC-RE553</b>

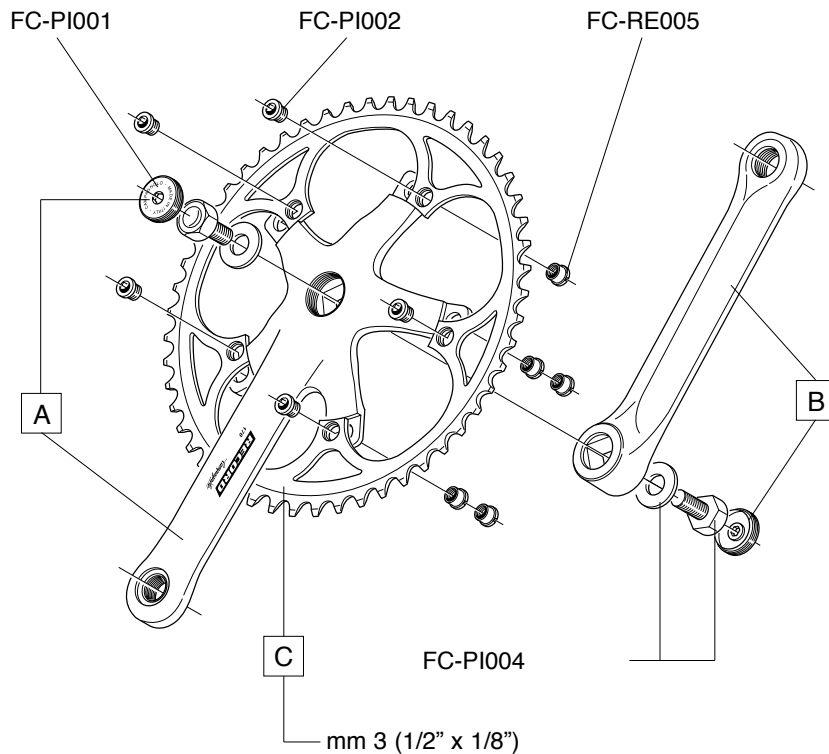






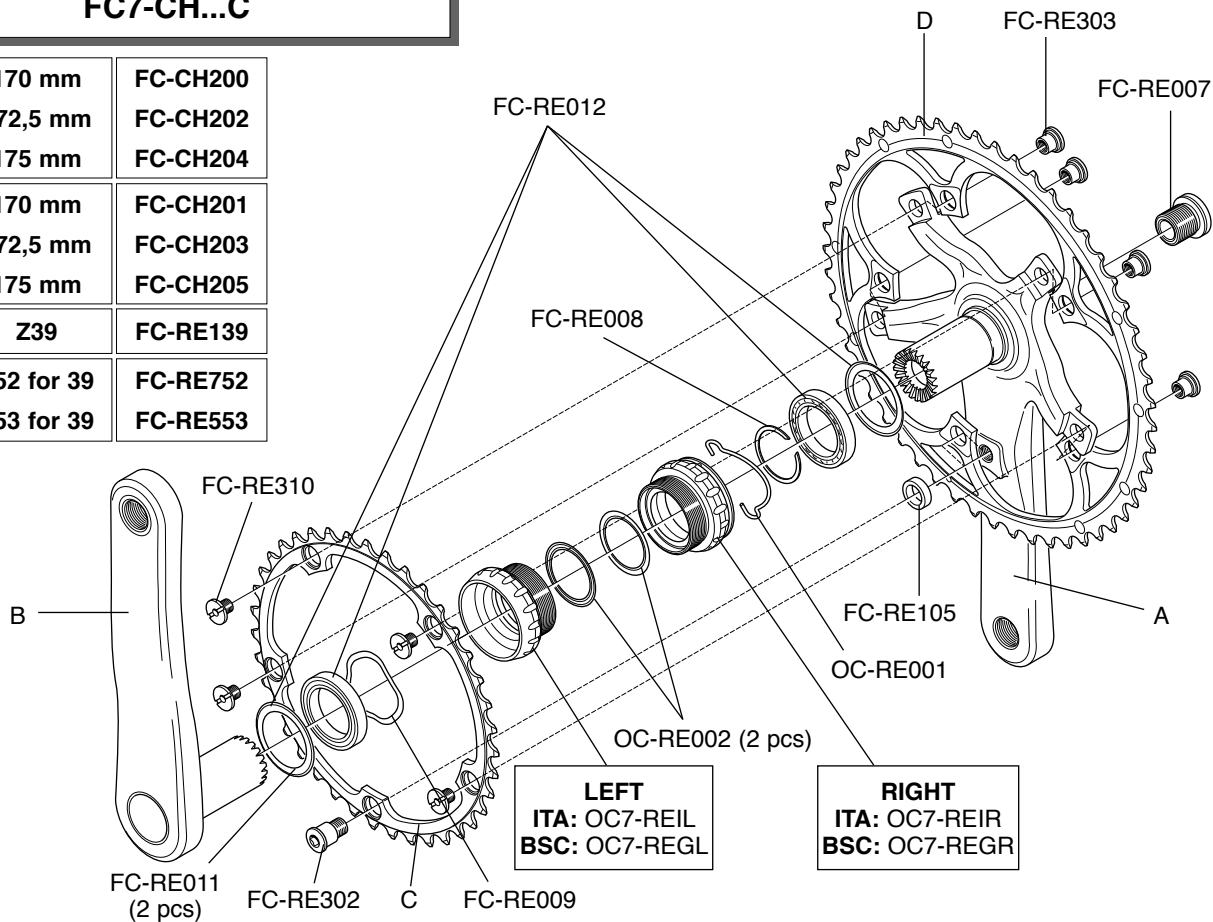
**RECORD™**  
**PISTA™**  
**FC01-REPL...**

A	165 mm	FC-PI365
	170 mm	FC-PI370
B	165 mm	FC-PI465
	170 mm	FC-PI470
C	Z47	FC-PI047
	Z48	FC-PI048
	Z49	FC-PI049
	Z50	FC-PI050
	Z51	FC-PI051
	Z52	FC-PI052



**CHORUS™ ULTRA-TORQUE™**  
**Carbon 10s**  
**FC7-CH...C**

<b>A</b>	170 mm	FC-CH200
	172,5 mm	FC-CH202
	175 mm	FC-CH204
<b>B</b>	170 mm	FC-CH201
	172,5 mm	FC-CH203
	175 mm	FC-CH205
<b>C</b>	Z39	FC-RE139
<b>D</b>	Z52 for 39	FC-RE752
	Z53 for 39	FC-RE553

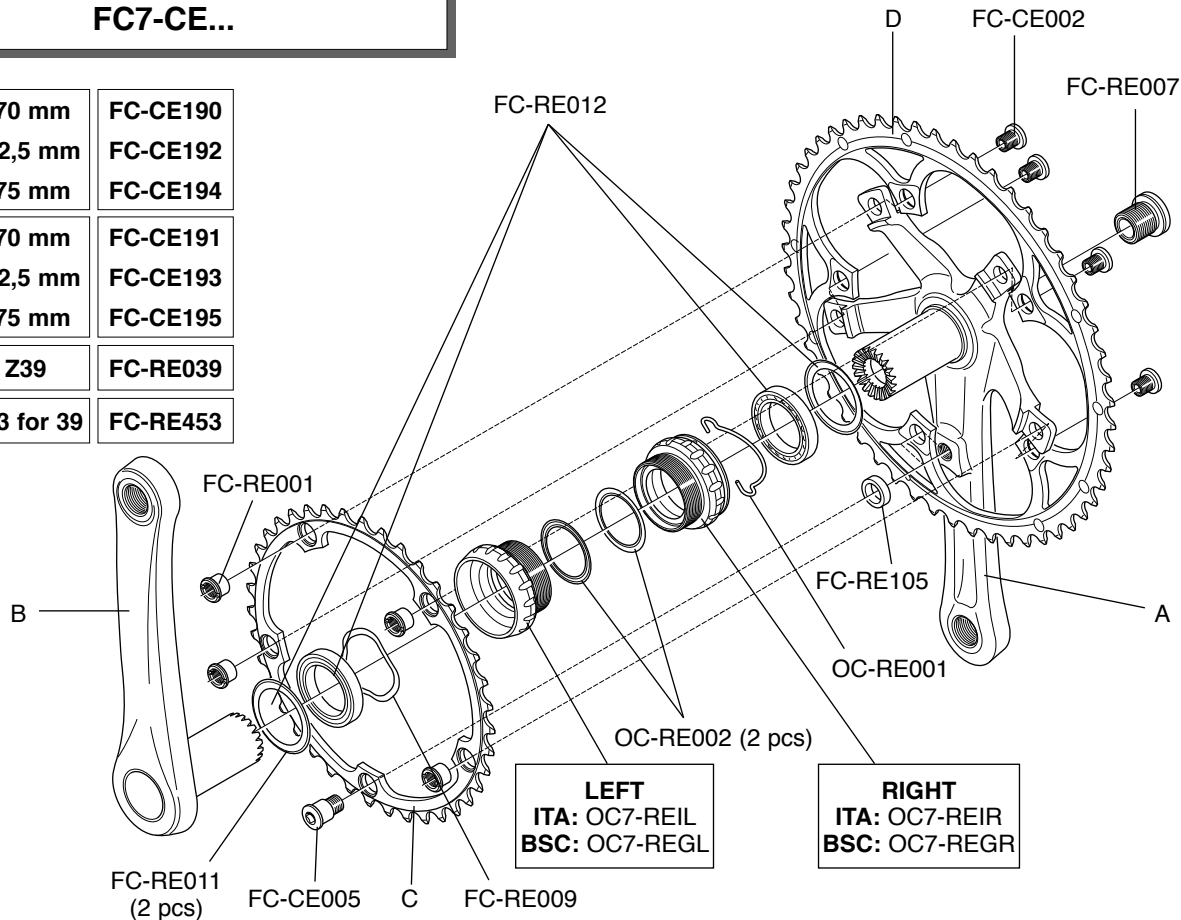




# CENTAUR™ ULTRA-TORQUE™

**10s**  
**FC7-CE...**

A	170 mm	FC-CE190
	172,5 mm	FC-CE192
	175 mm	FC-CE194
B	170 mm	FC-CE191
	172,5 mm	FC-CE193
	175 mm	FC-CE195
C	Z39	FC-RE039
D	Z53 for 39	FC-RE453

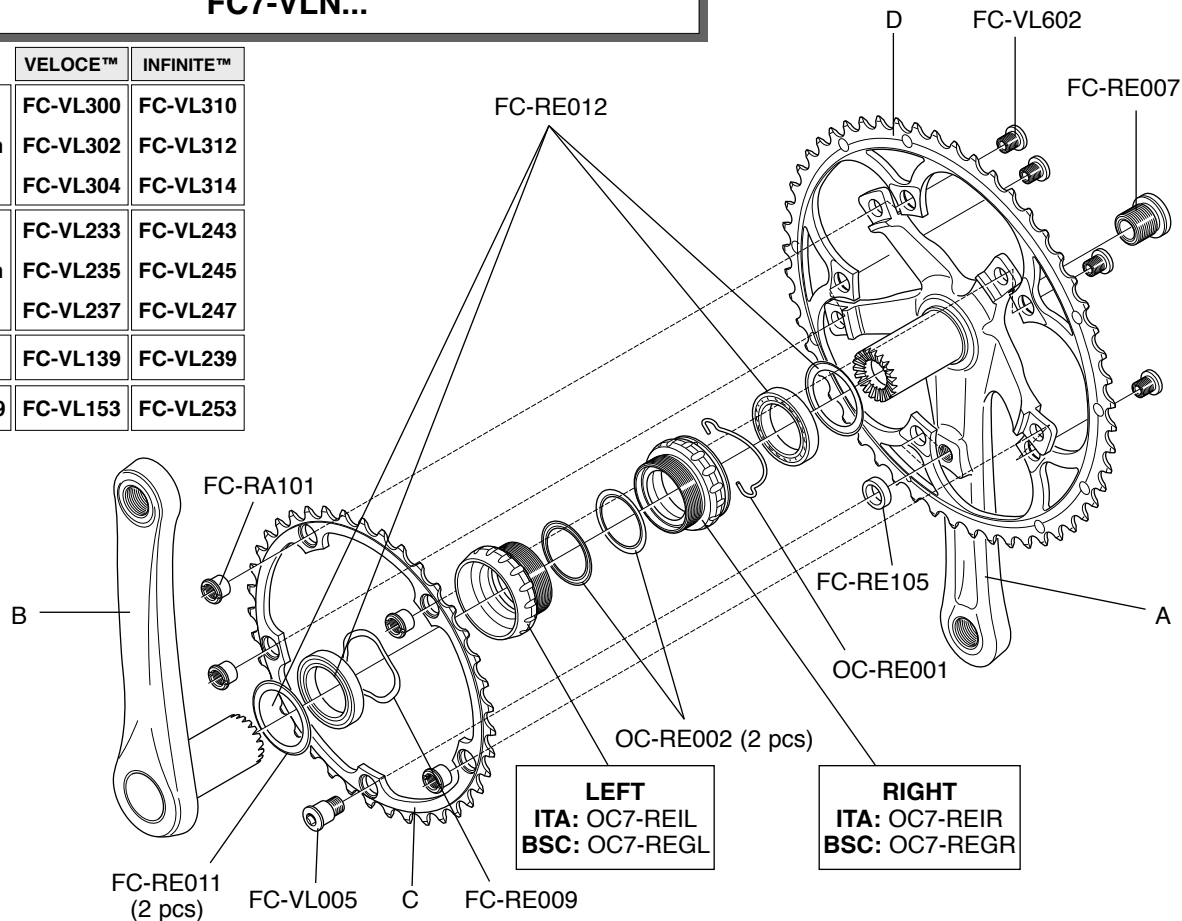


# CRANKSET



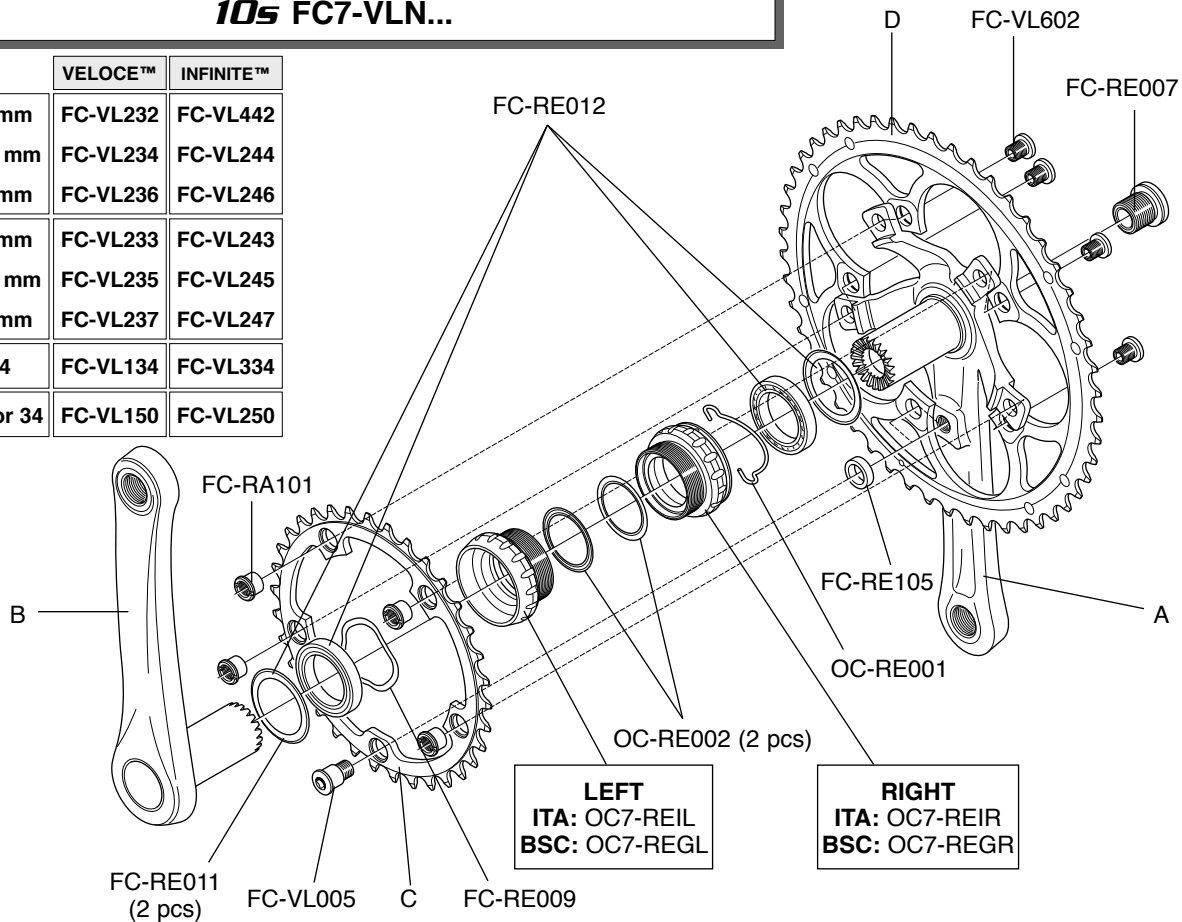
**VELOCE™ ULTRA-TORQUE™ 10s FC7-VL...**  
**VELOCE™ INFINITE™ ULTRA-TORQUE™ 10s**  
**FC7-VLN...**

		VELOCE™	INFINITE™
<b>A</b>	170 mm	FC-VL300	FC-VL310
	172,5 mm	FC-VL302	FC-VL312
	175 mm	FC-VL304	FC-VL314
<b>B</b>	170 mm	FC-VL233	FC-VL243
	172,5 mm	FC-VL235	FC-VL245
	175 mm	FC-VL237	FC-VL247
<b>C</b>	Z39	FC-VL139	FC-VL239
<b>D</b>	Z53 for 39	FC-VL153	FC-VL253



**VELOCE™ ULTRA-TORQUE™ CT™ 10s FC7-VL...**  
**VELOCE™ INFINITE™ ULTRA-TORQUE™ CT™**  
**10s FC7-VLN...**

		VELOCE™	INFINITE™
<b>A</b>	170 mm	FC-VL232	FC-VL442
	172,5 mm	FC-VL234	FC-VL244
	175 mm	FC-VL236	FC-VL246
<b>B</b>	170 mm	FC-VL233	FC-VL243
	172,5 mm	FC-VL235	FC-VL245
	175 mm	FC-VL237	FC-VL247
<b>C</b>	Z34	FC-VL134	FC-VL334
<b>D</b>	Z50 for 34	FC-VL150	FC-VL250

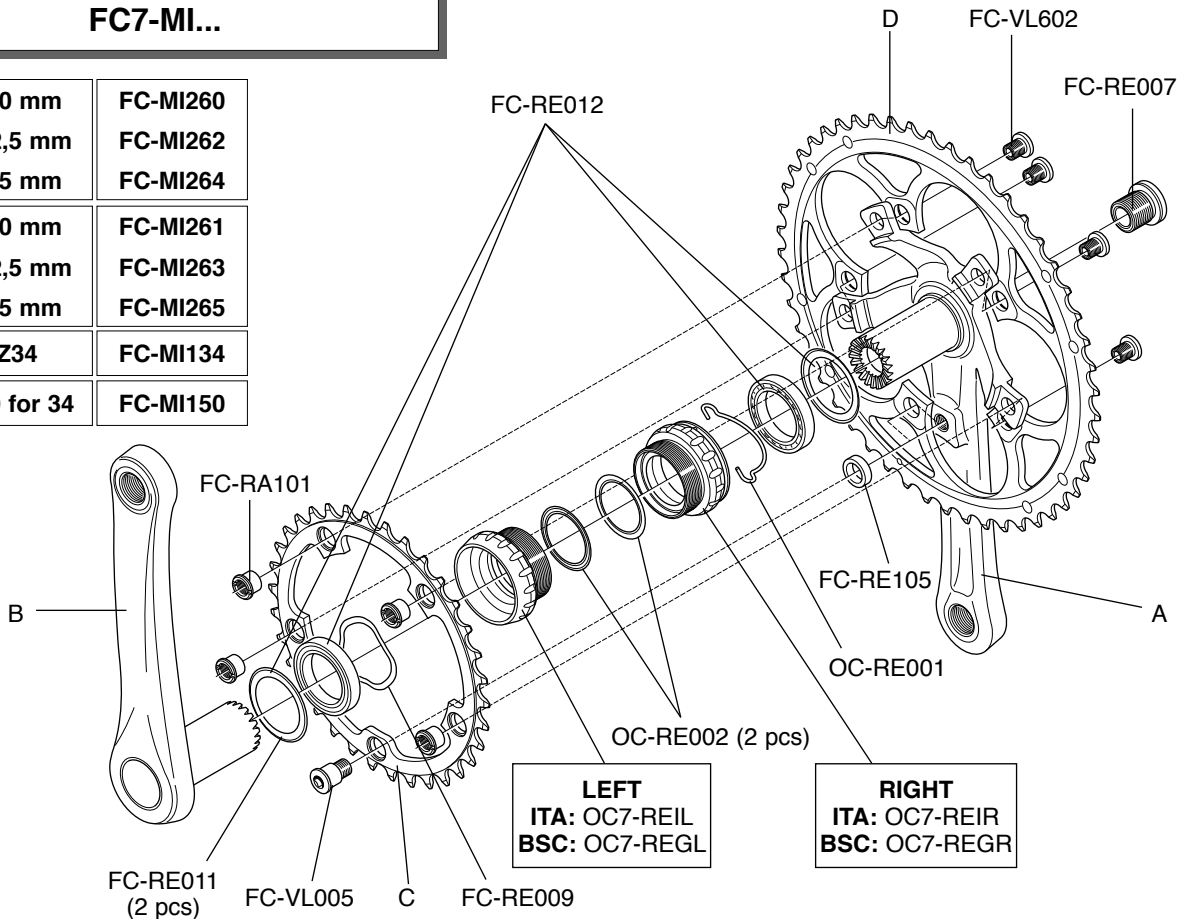






**MIRAGE™ ULTRA-TORQUE™**  
**CT™ 10s**  
**FC7-MI...**

A	170 mm	FC-MI260
	172,5 mm	FC-MI262
	175 mm	FC-MI264
B	170 mm	FC-MI261
	172,5 mm	FC-MI263
	175 mm	FC-MI265
C	Z34	FC-MI134
D	Z50 for 34	FC-MI150

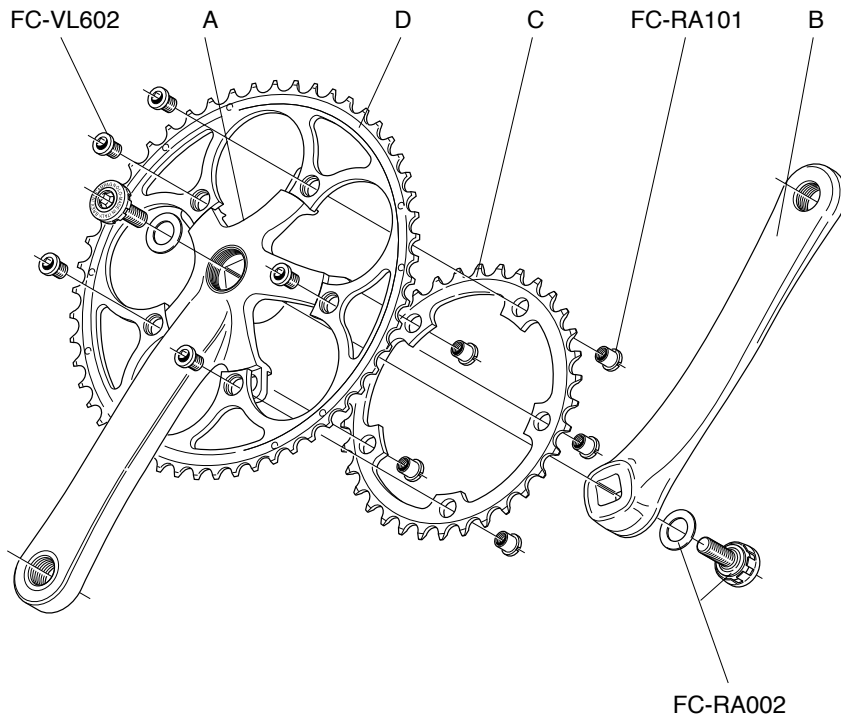


**XENON™ CT™**

**10s**

**FC7-XE...**

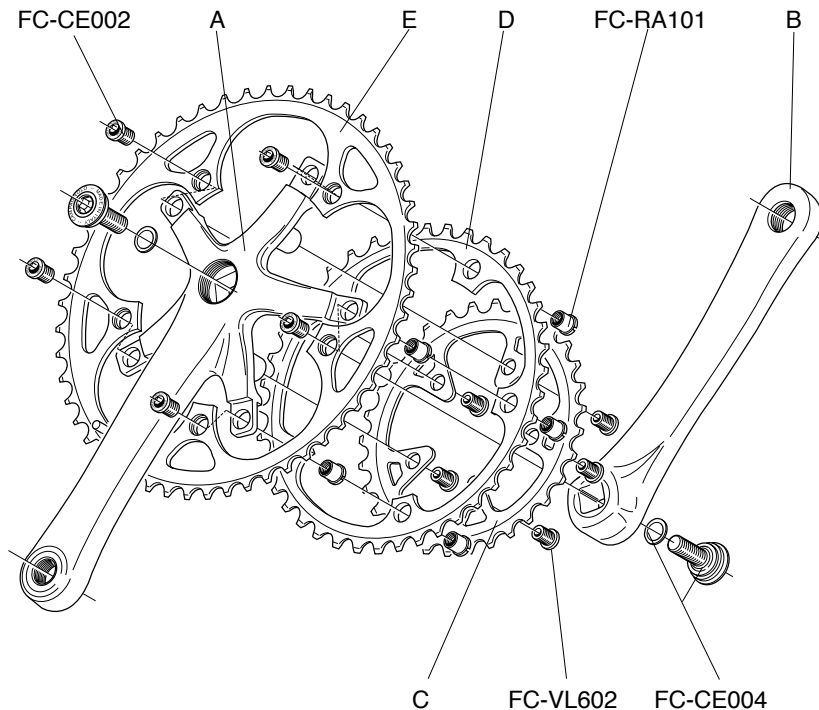
<b>A</b>	170 mm	<b>FC-XE270</b>
	172,5 mm	<b>FC-XE272</b>
	175 mm	<b>FC-XE274</b>
<b>B</b>	170 mm	<b>FC-XE271</b>
	172,5 mm	<b>FC-XE273</b>
	175 mm	<b>FC-XE275</b>
<b>C</b>	<b>Z34</b>	<b>FC-MIB034</b>
<b>D</b>	<b>Z50 for 34</b>	<b>FC-XE050</b>



**CRANKSET**

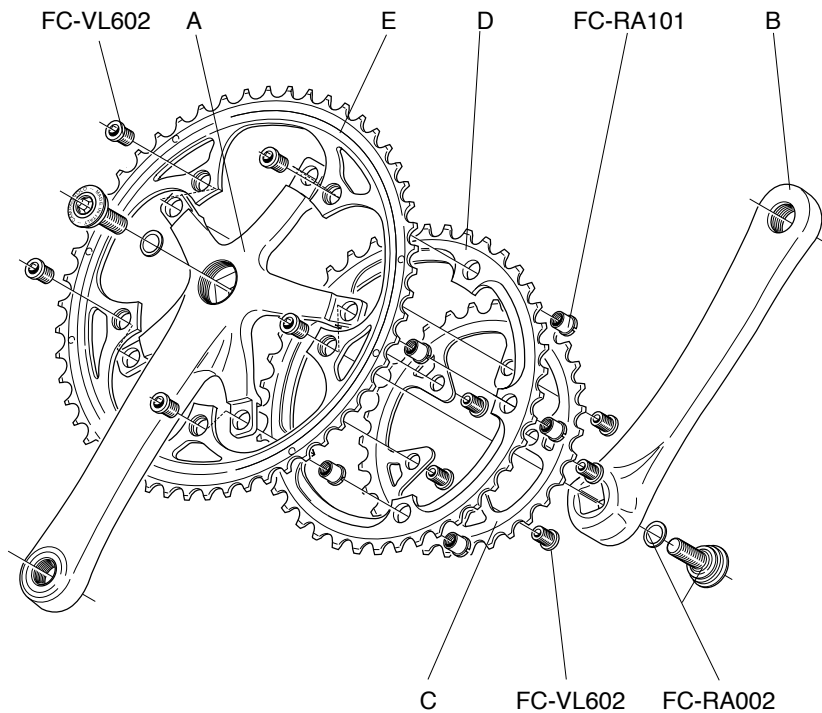
## COMP TRIPLE™ 10s FC7-CO....

A	170 mm	FC-CO312
	175 mm	FC-CO314
B	170 mm	FC-CO313
	175 mm	FC-CO315
C	Z30	FC-RE030
D	Z40 for 30	FC-CE040
	Z42 for 30	FC-CE042
E	Z50 for 40	FC-CE050
	Z53 for 42	FC-CE053



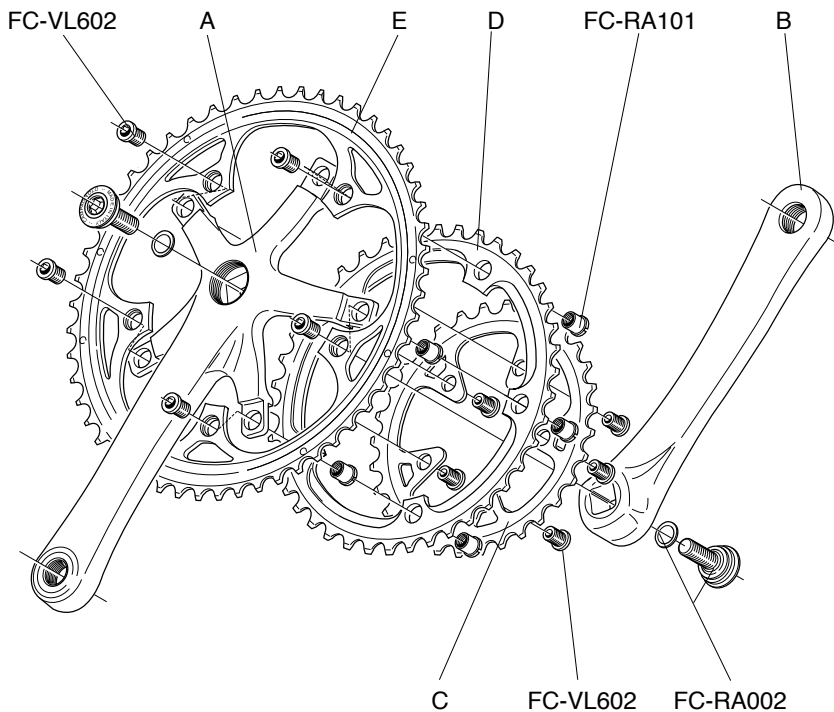
**RACE TRIPLE™ 10S**  
**FC7-RA...**

A	170 mm	FC-RA926
	175 mm	FC-RA928
B	170 mm	FC-RA927
	175 mm	FC-RA929
C	Z30	FC-VL030
D	Z42 for 30	FC-VL342
E	Z52 for 42	FC-VL252



## **CHAMP TRIPLE™ 95** **FC7-CP...**

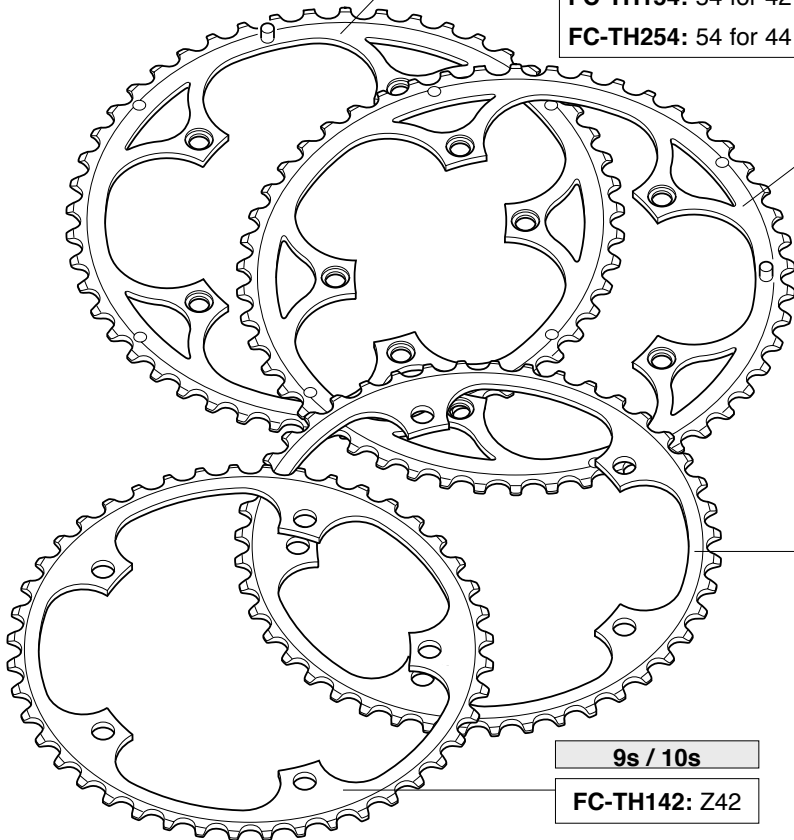
A	170 mm	FC-CP876
	175 mm	FC-CP878
B	170 mm	FC-CP877
	175 mm	FC-CP879
C	Z30	FC-MI030
D	Z42 for 30	FC-XE142
E	Z52 for 42	FC-XE252



**TIME TRIAL™  
CHAINRINGS**

9s	RECORD™ 10s	CHORUS™ 10s
FC-TH155: 55 for 42	FC-RETH155: 55 for 42	FC-CHTH155: 55 for 42
FC-TH255: 55 for 44	FC-RETH255: 55 for 44	FC-CHTH255: 55 for 44

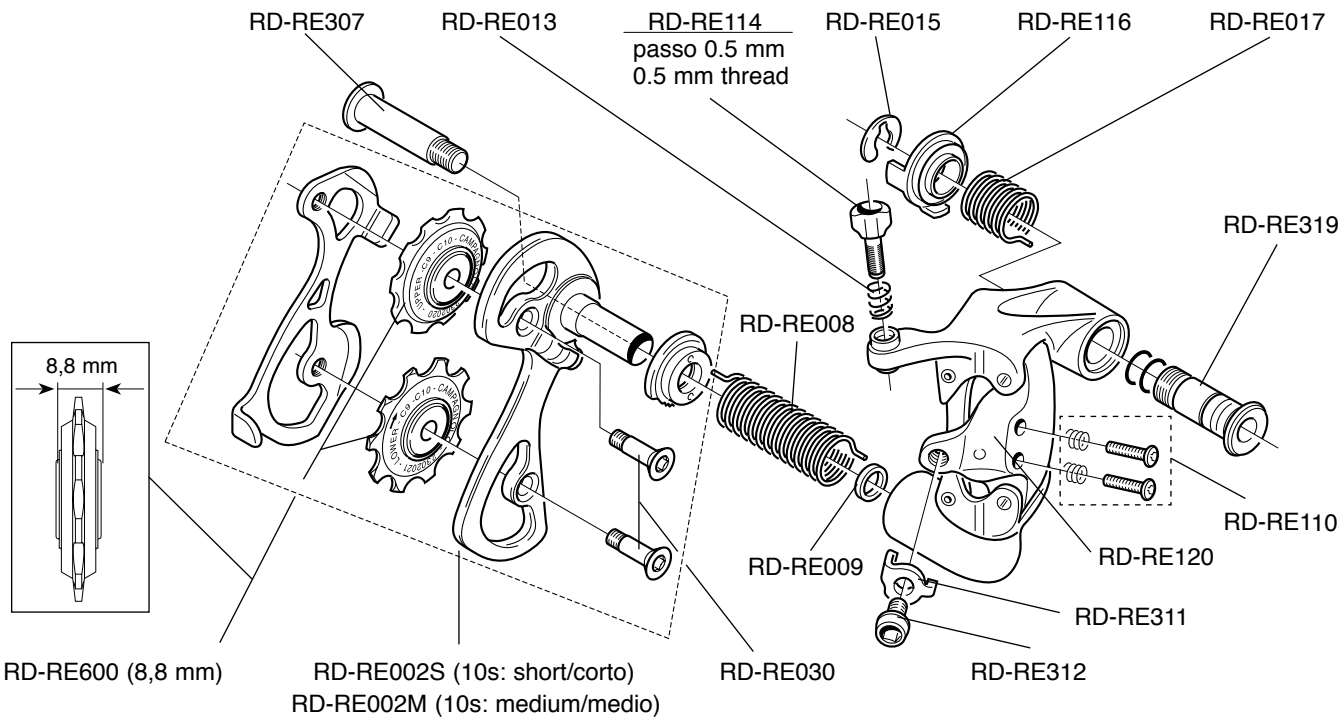
9s	RECORD™ 10s	CHORUS™ 10s
FC-TH154: 54 for 42	FC-RETH154: 54 for 42	FC-CHTH154: 54 for 42
FC-TH254: 54 for 44	FC-RETH254: 54 for 44	FC-CHTH254: 54 for 44



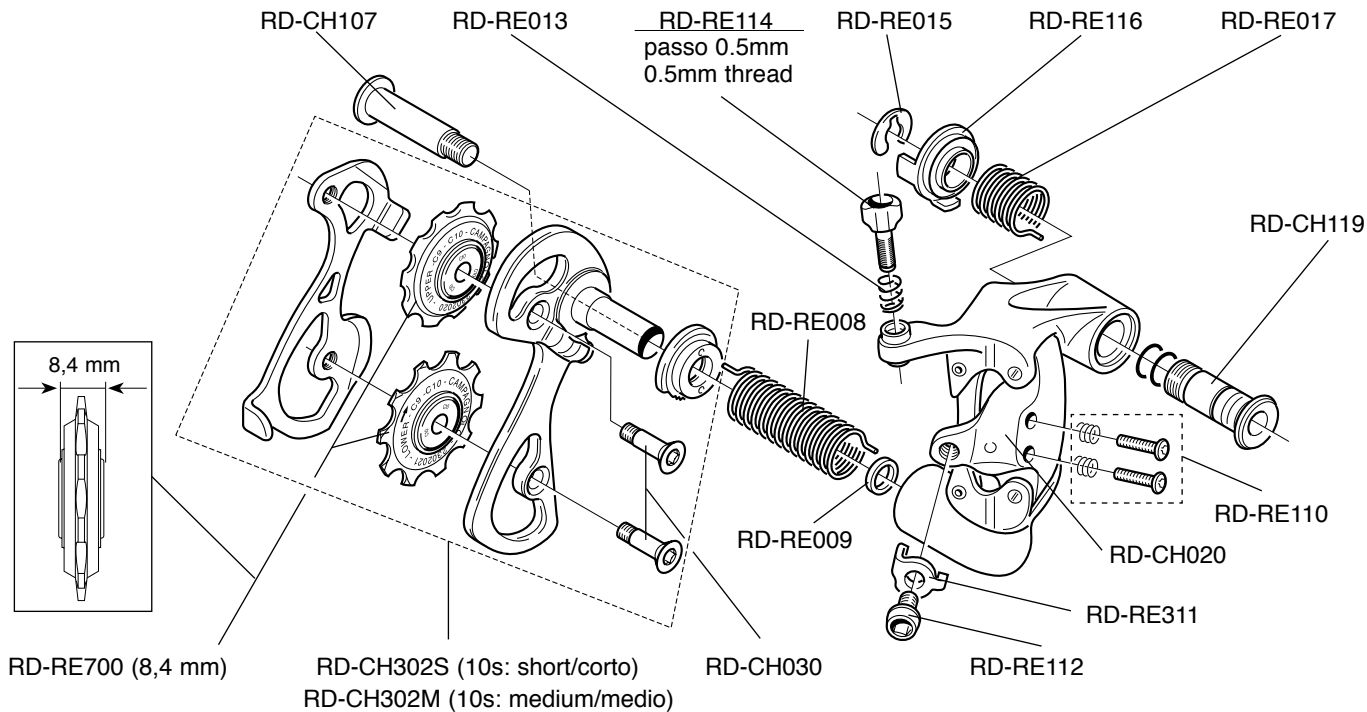
**9s / 10s**  
FC-TH144: Z44

**9s / 10s**  
FC-TH142: Z42

**RECORD™ 10s**  
**RD4-REXS**  
**RD4-REXM**

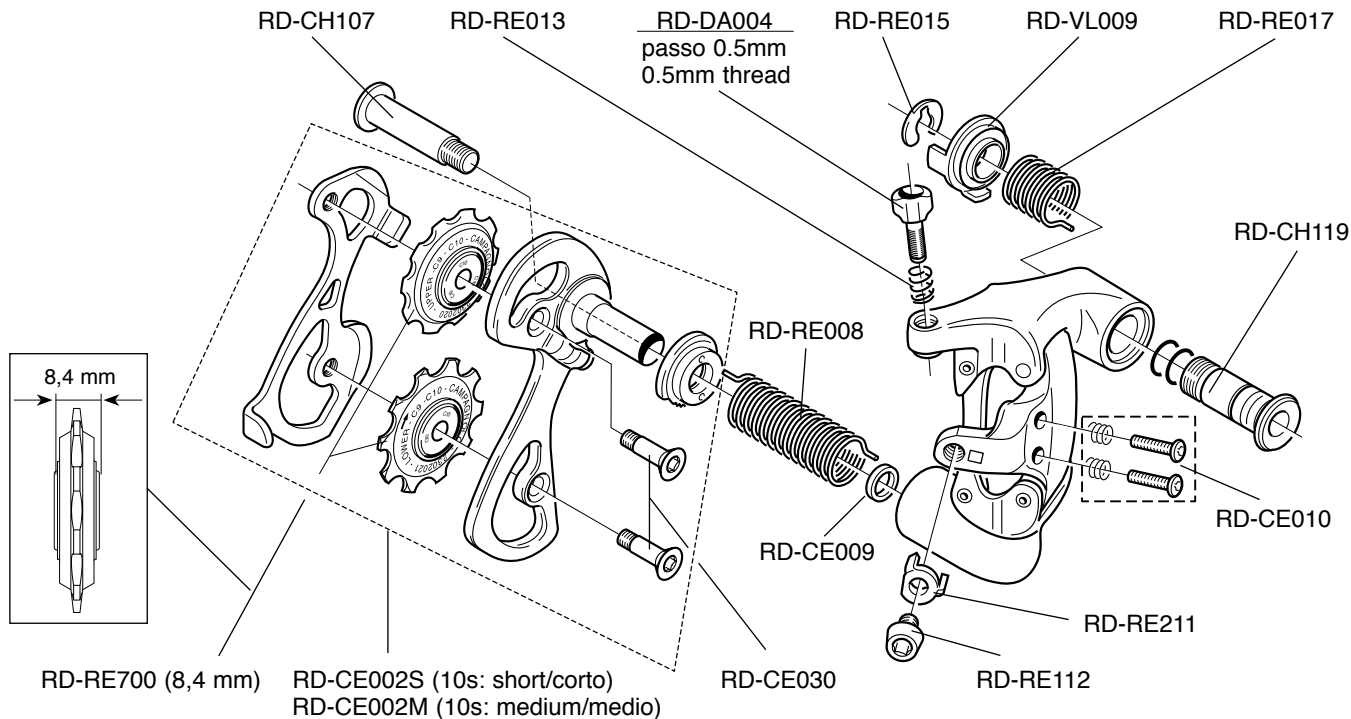


**CHORUS™ 10s**  
**RD4-CHXS**  
**RD4-CHXM**

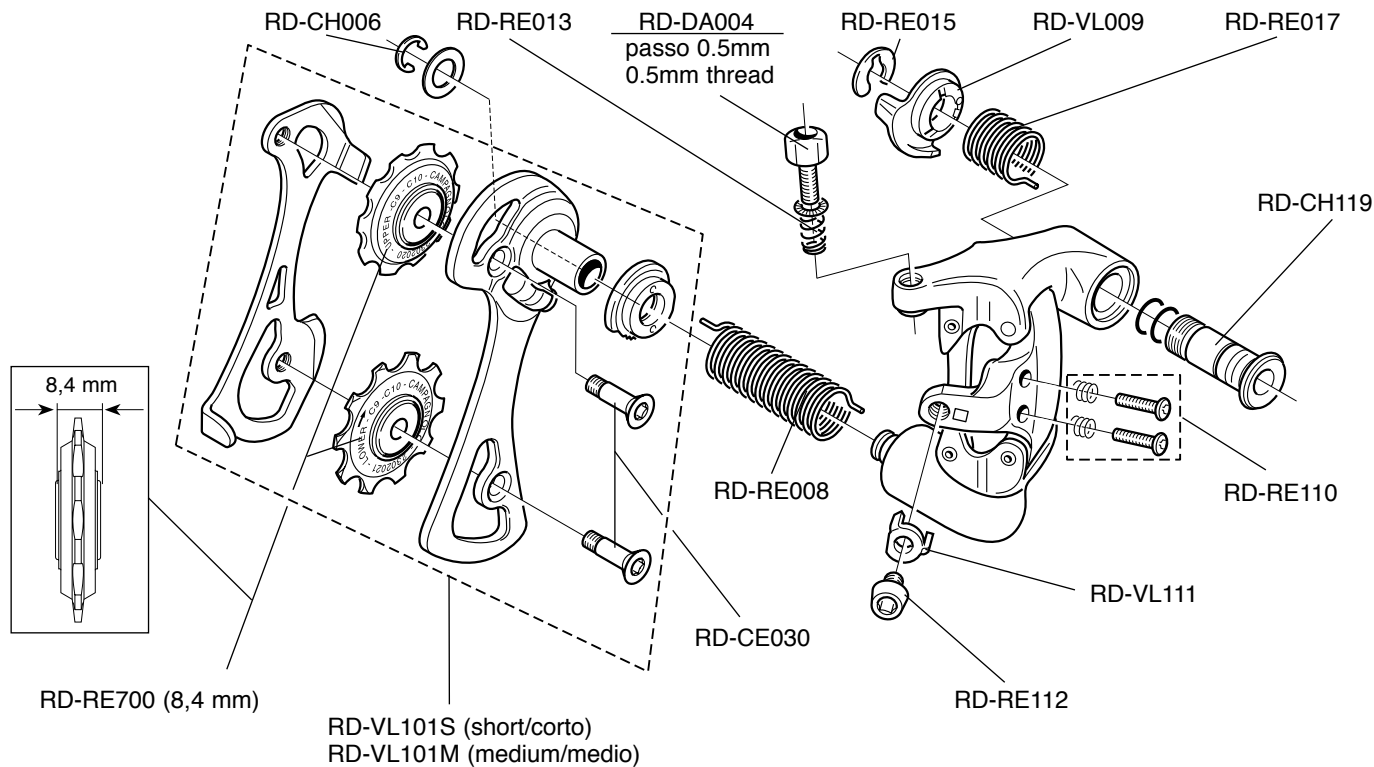




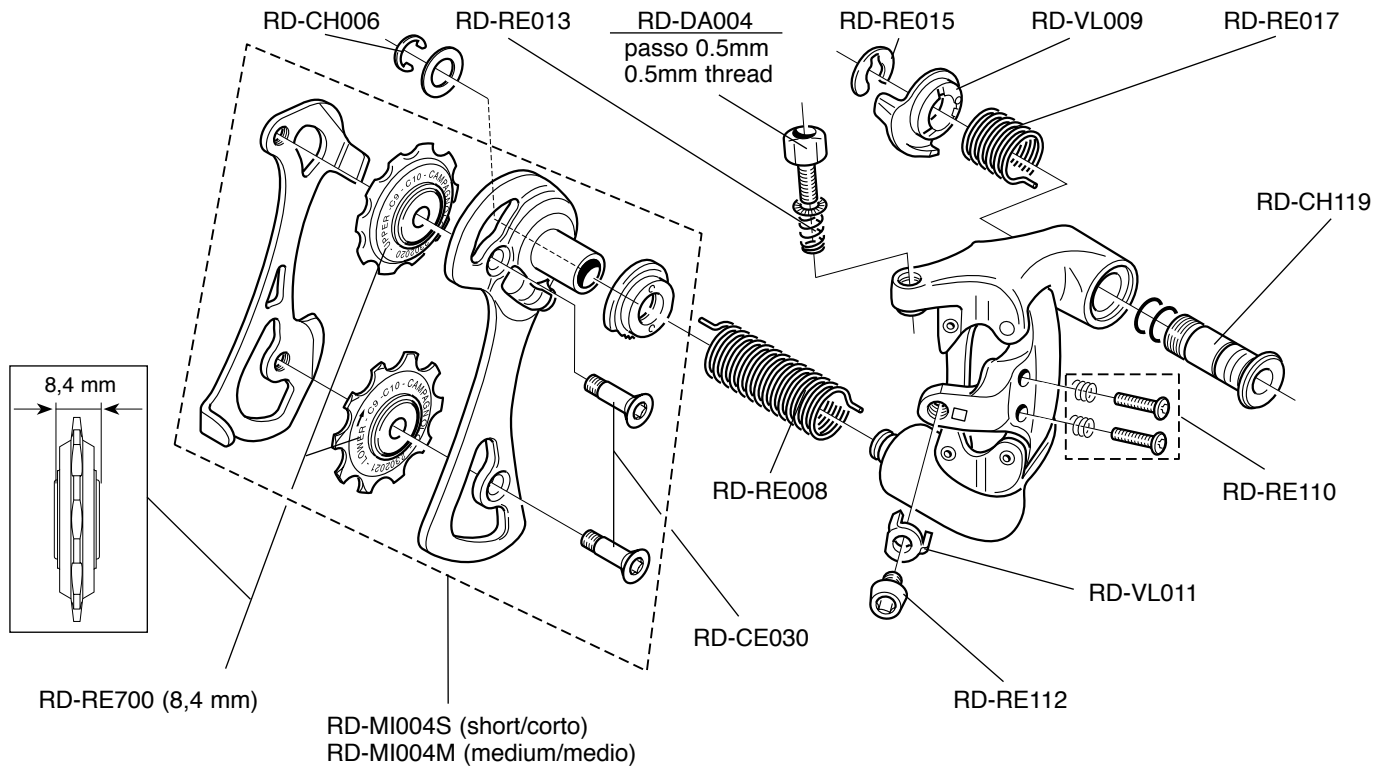
**CENTAUR™ 10s**  
**RD7-CEXS**  
**RD7-CEXM**



**VELOCE™ 10s**  
**RD7-VLXS - RD7-VLXM**  
**VELOCE™ INFINITE™ 10s**  
**RD7-VLNXS - RD7-VLNXM**



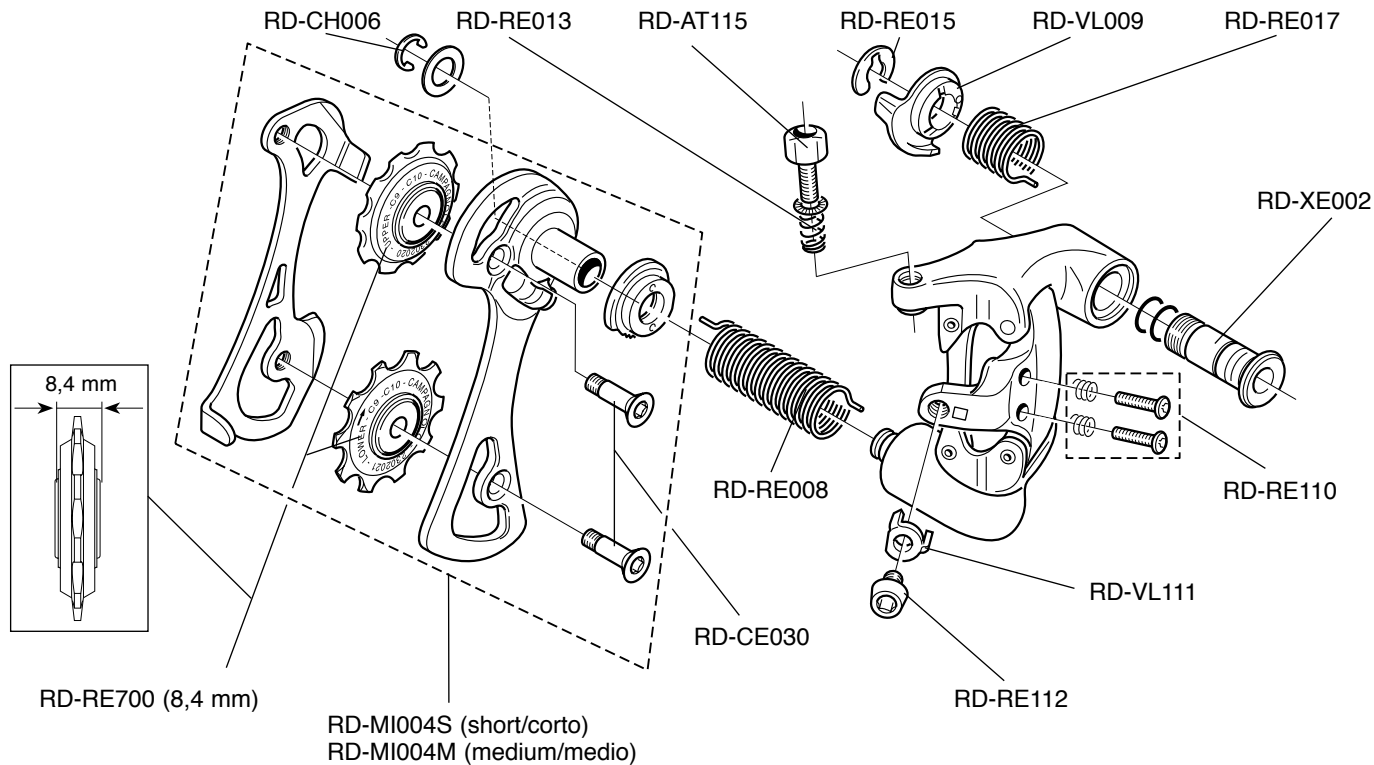
## MIRAGE™ 10s RD7-MIXS RD7-MIXM



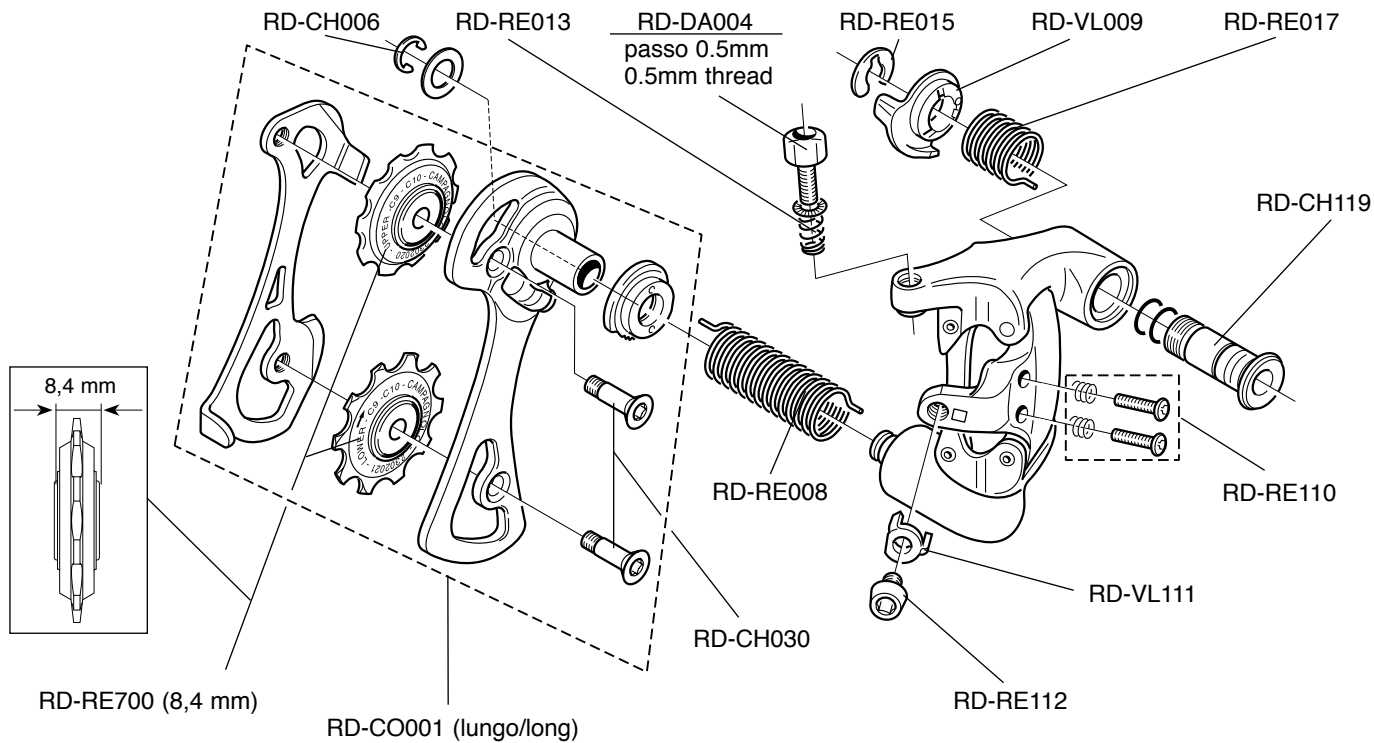
**XENON™ 10s**

**RD7-XEXS**

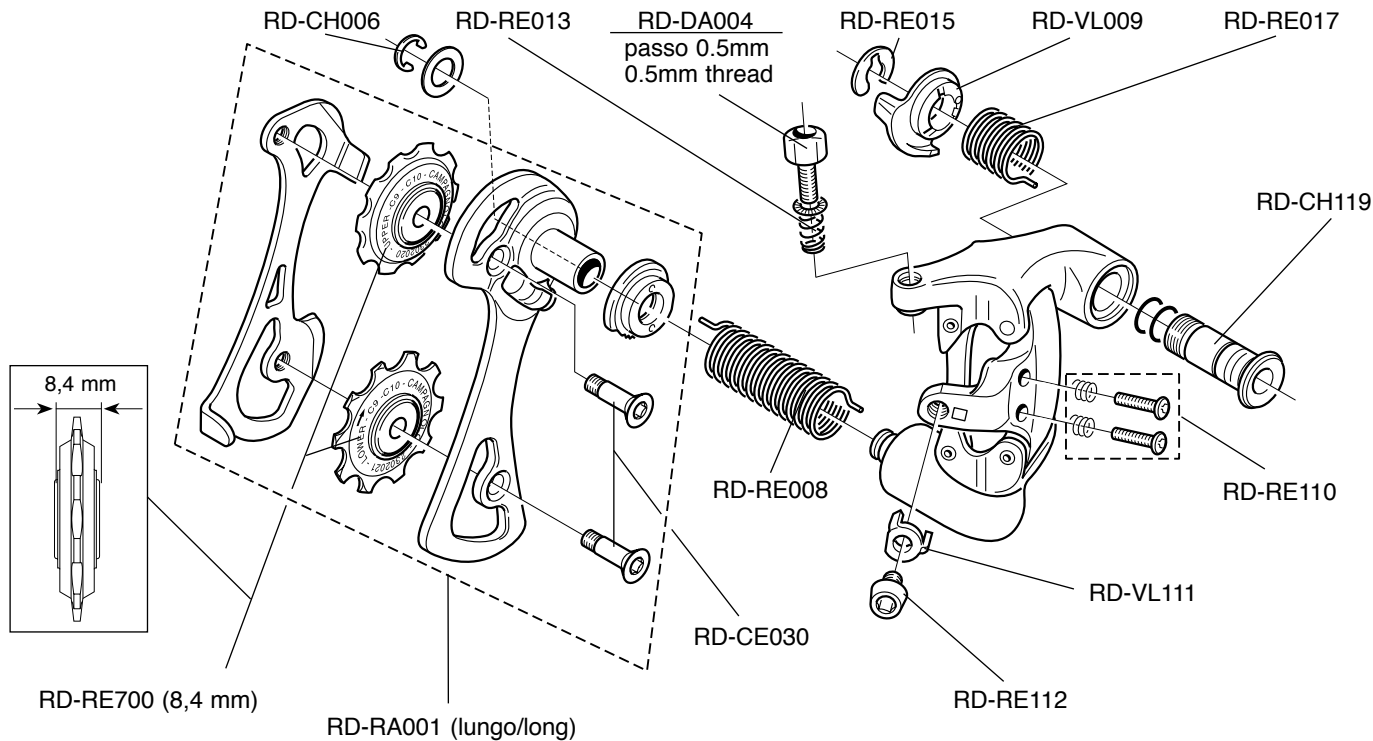
**RD7-XEXM**



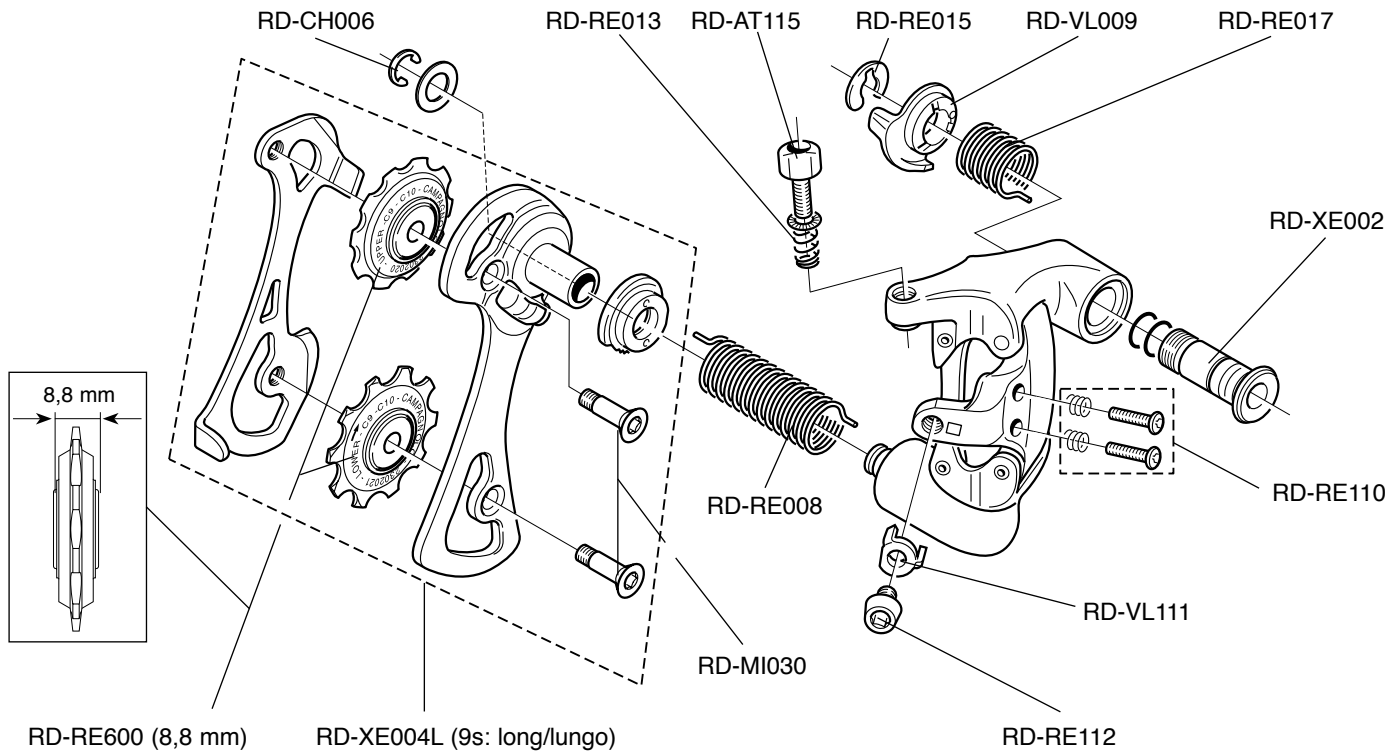
**COMP TRIPLE™**  
**10s**  
**RD7-COXL**



**RACE TRIPLE™ 10s**  
**RD7-RAXL**



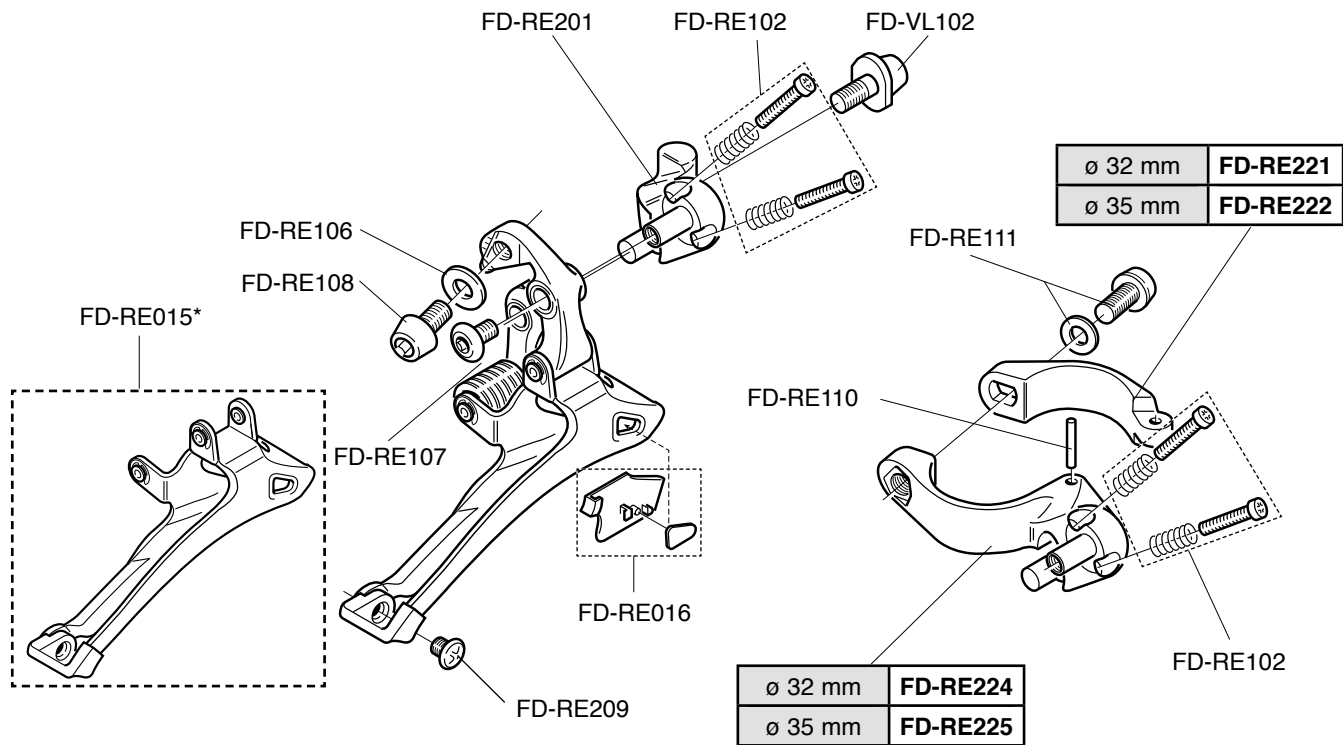
**CHAMP TRIPLE™**  
**9s**  
**RD7-CP9L**



**RECORD™ QS™**

**10s**

**FD7-RE2..**

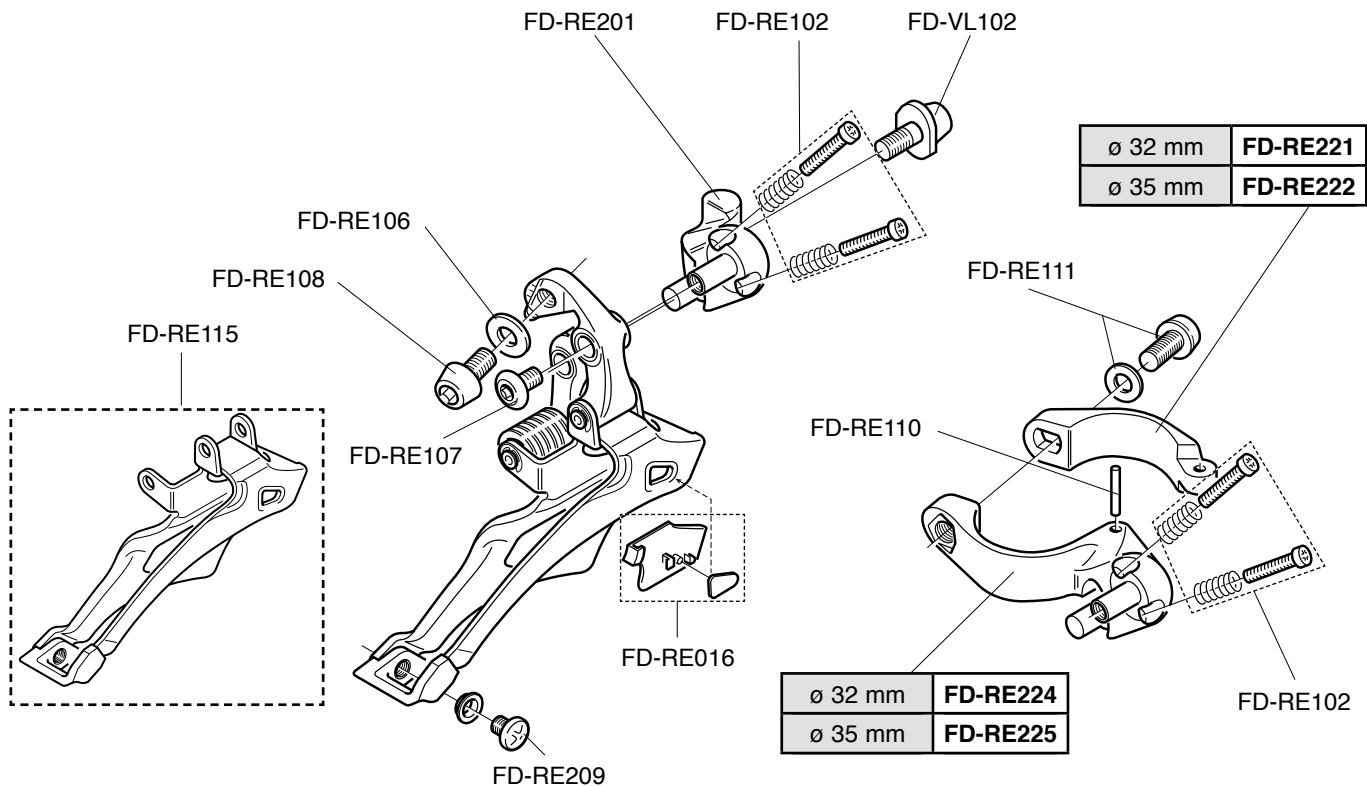


\* non compatibile con gamma 2003 e precedenti

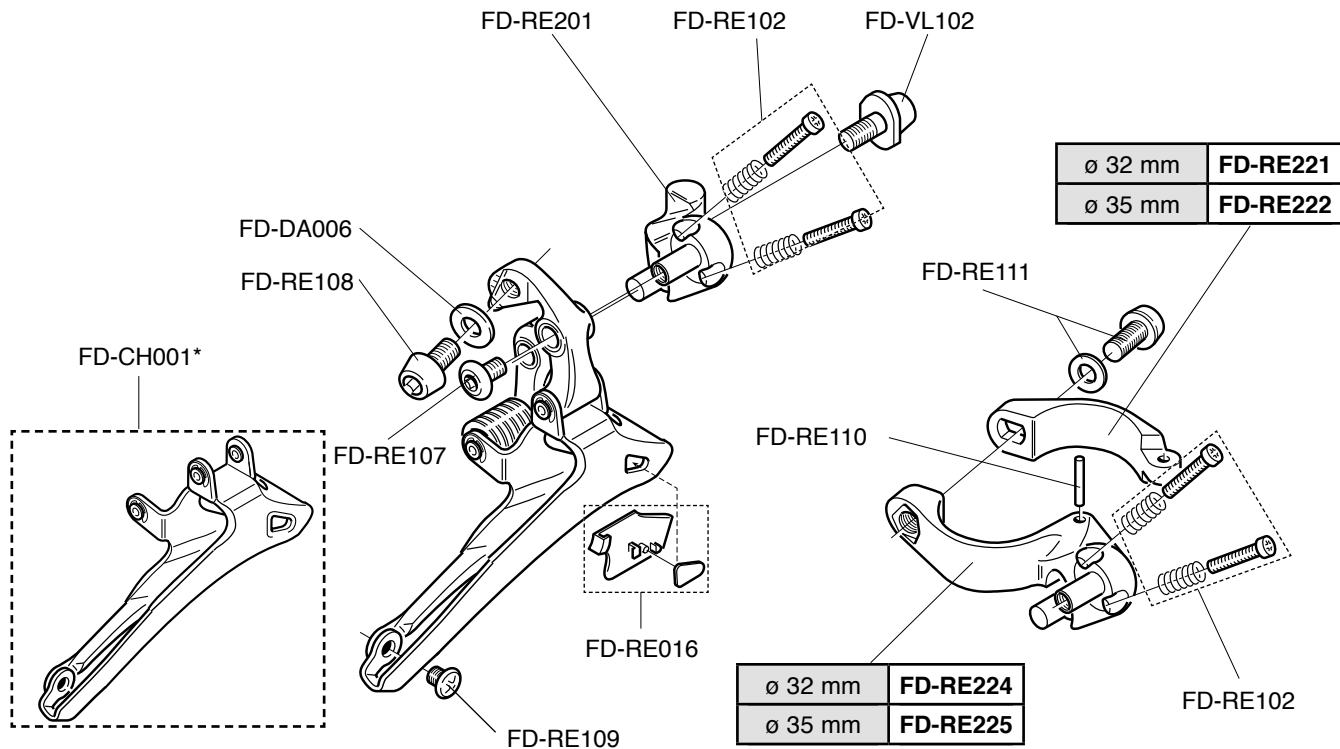
\* not compatible with 2003 range and previous



**RECORD™ QS™  
CT™ 10s  
FD7-RE2..CT**



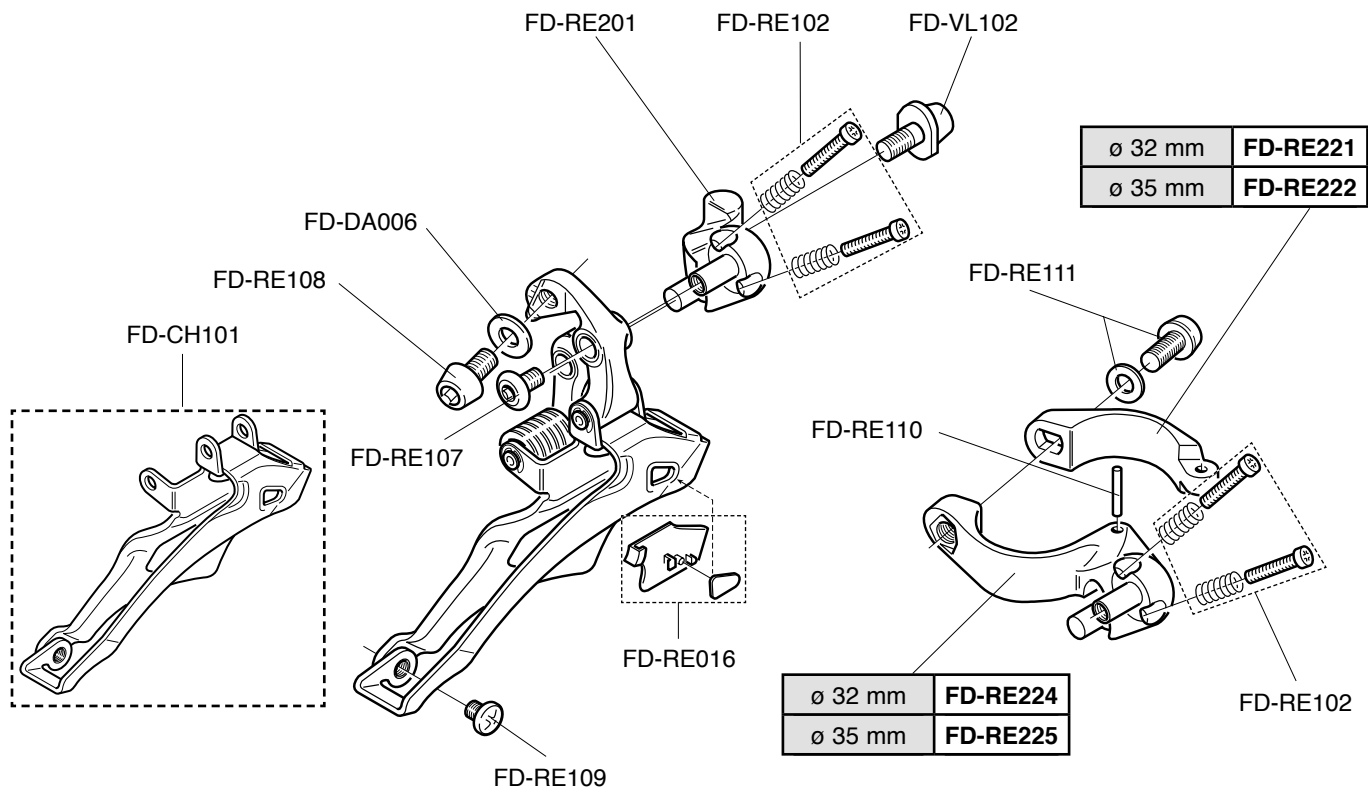
**CHORUS™ QS™**  
**10s**  
**FD7-CH2..**



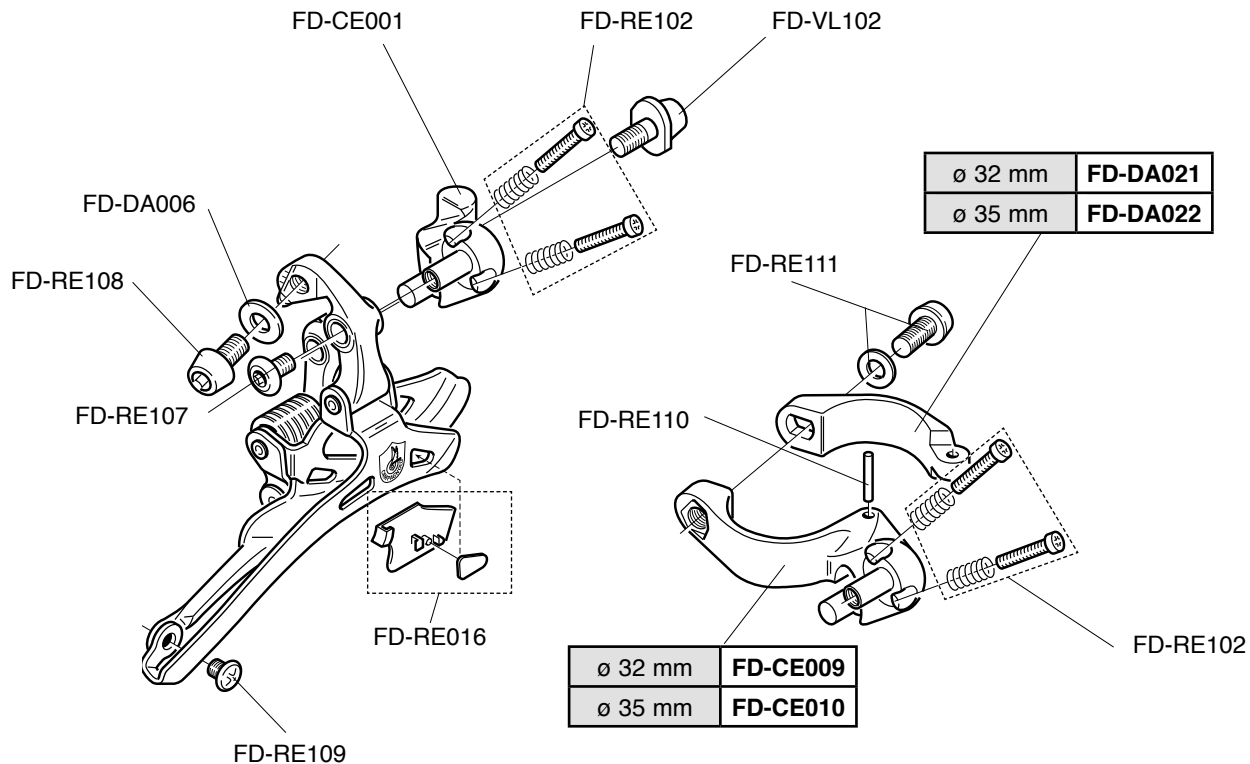
\* non compatibile con gamma 2003 e precedenti

\* not compatible with 2003 range and previous

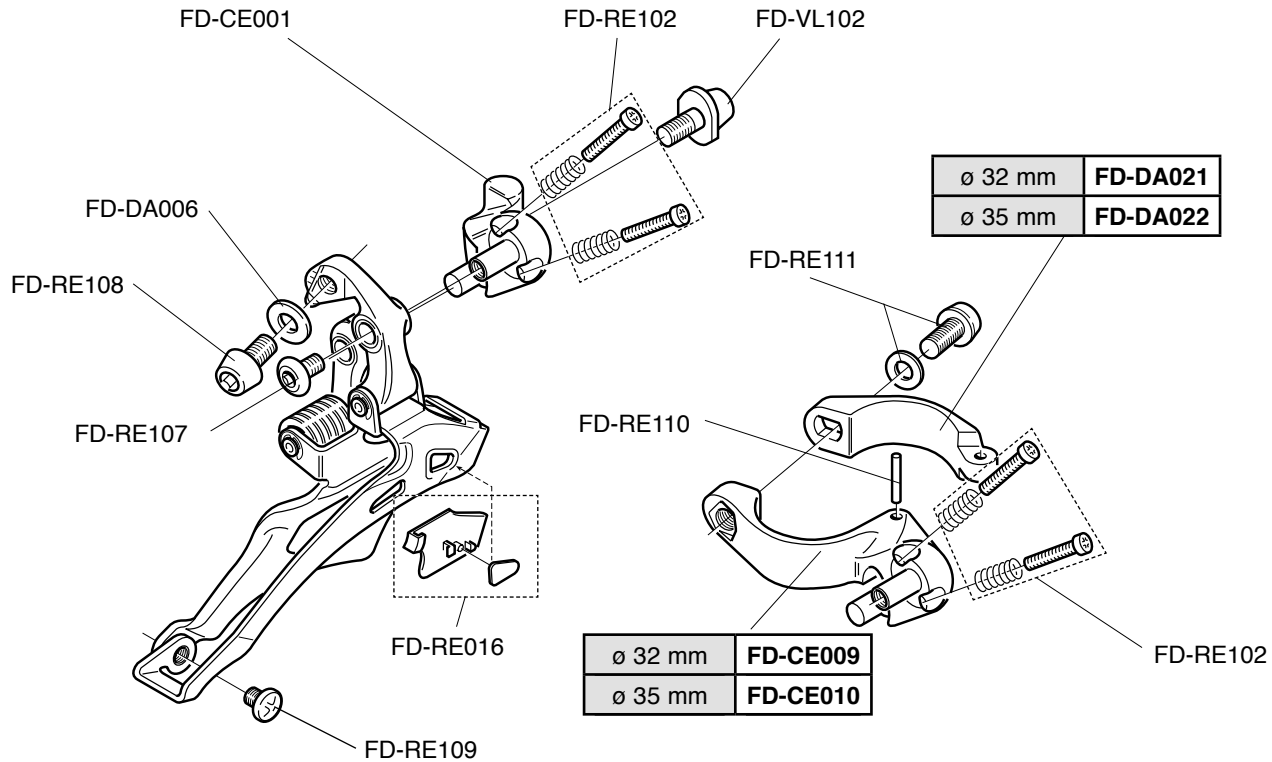
**CHORUS<sup>™</sup> QS<sup>™</sup>**  
**CT<sup>™</sup> 10s**  
**FD7-CH2..CT**



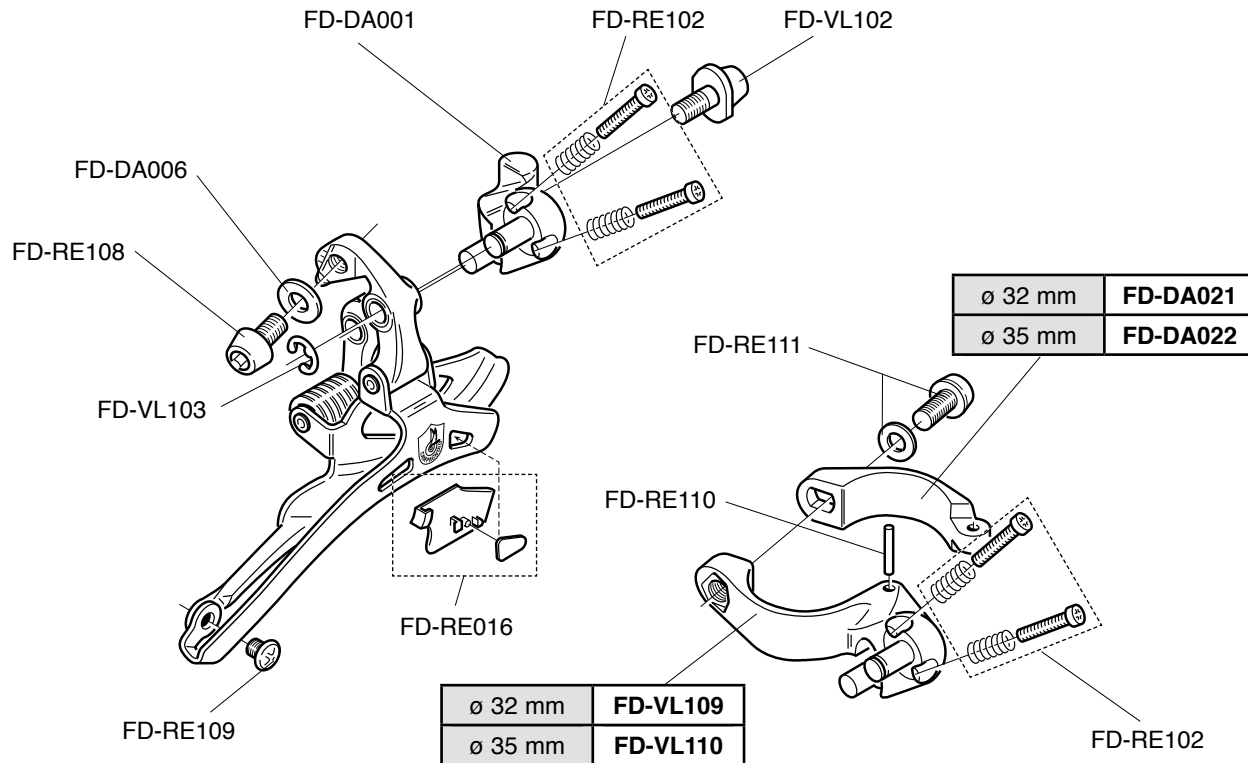
**CENTAUR™ QS™**  
**10s**  
**FD7-CE2..**



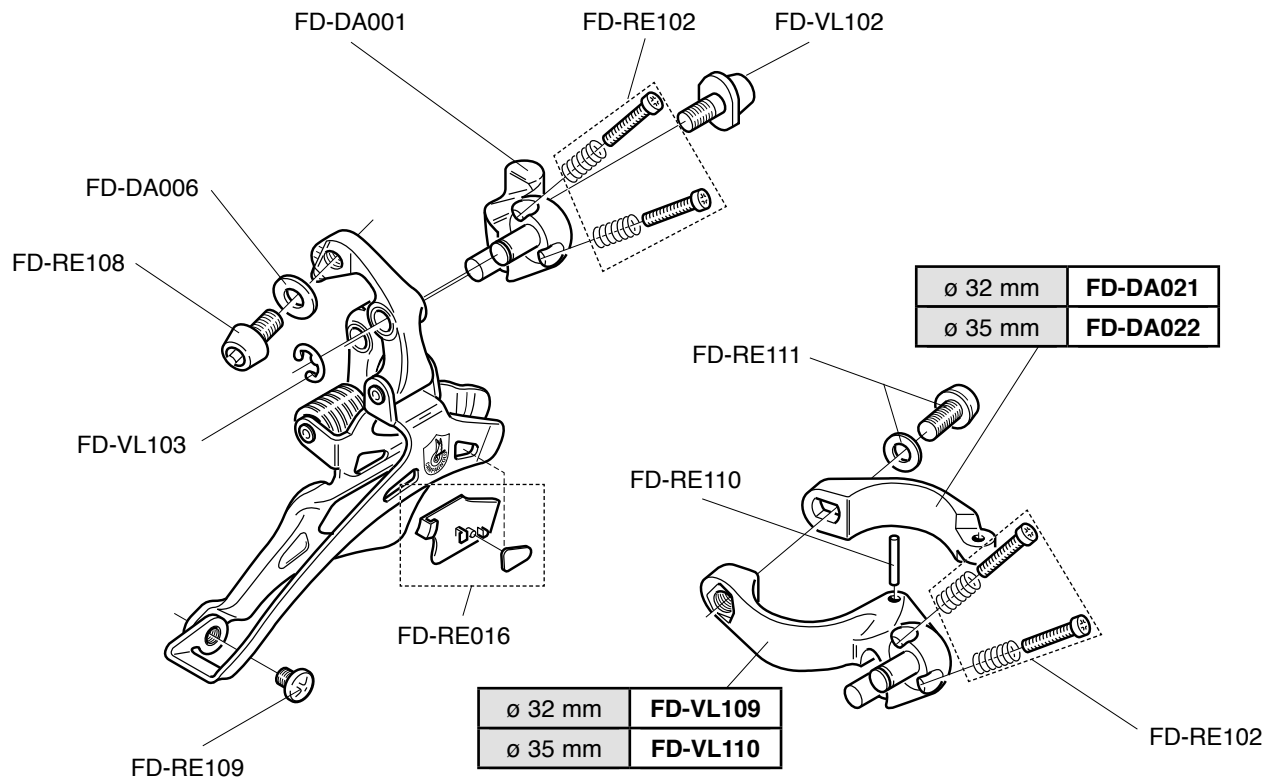
**CENTAUR™ QS™**  
**CT™ 10s**  
**FD7-CE2..CT**



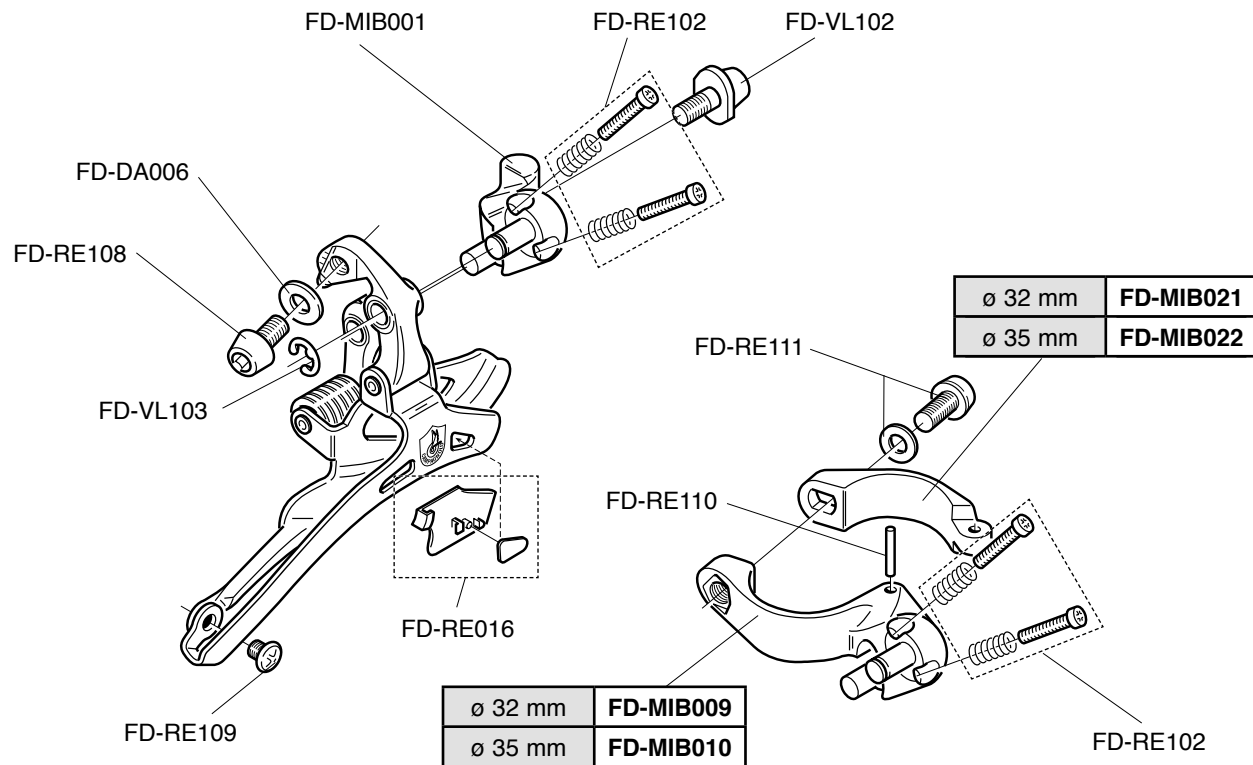
**VELOCE™ QS™ 10s**  
**FD7-VL2..**  
**VELOCE™ INFINITE™ QS™ 10s**  
**FD7-VLN2..**



**VELOCE™ QS™ CT™ 10s**  
**FD7-VL2..CT**  
**VELOCE™ INFINITE™ QS™ CT™ 10s**  
**FD7-VLN2..CT**

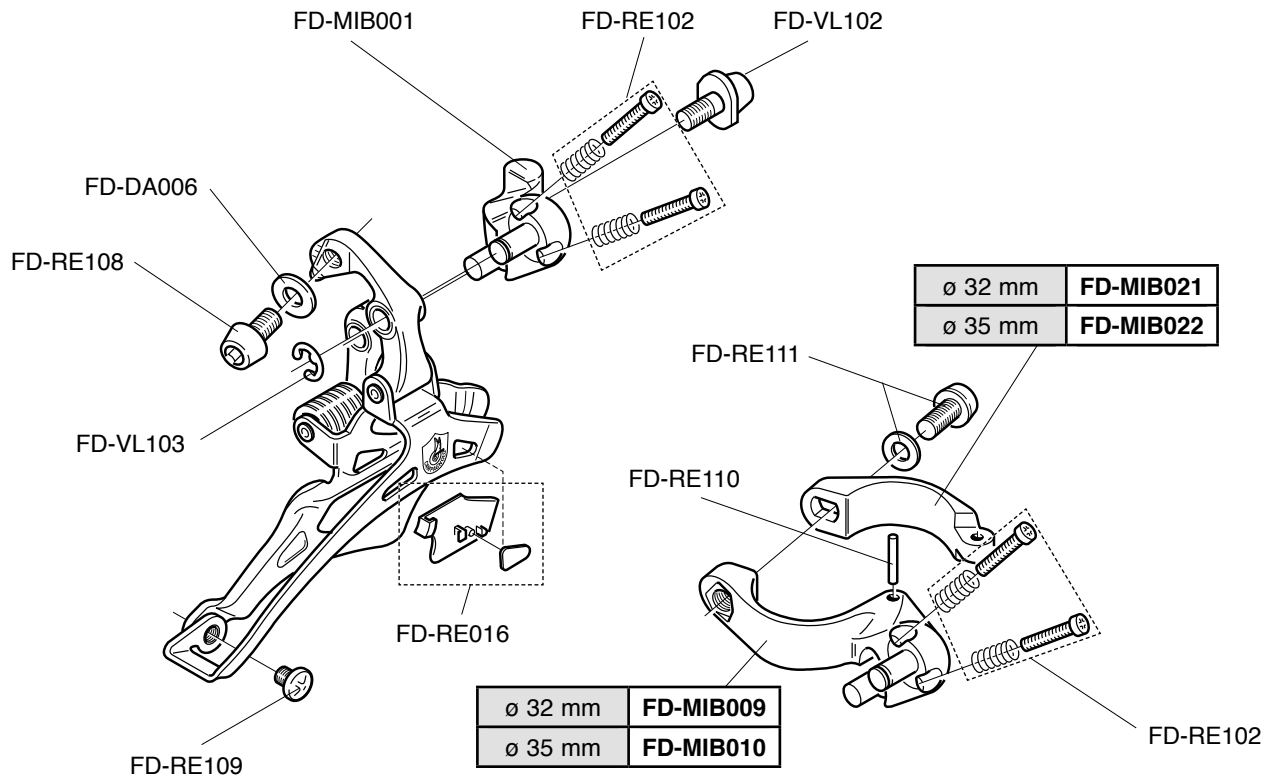


**MIRAGE™ QS™**  
**10s**  
**FD7-MI2..**

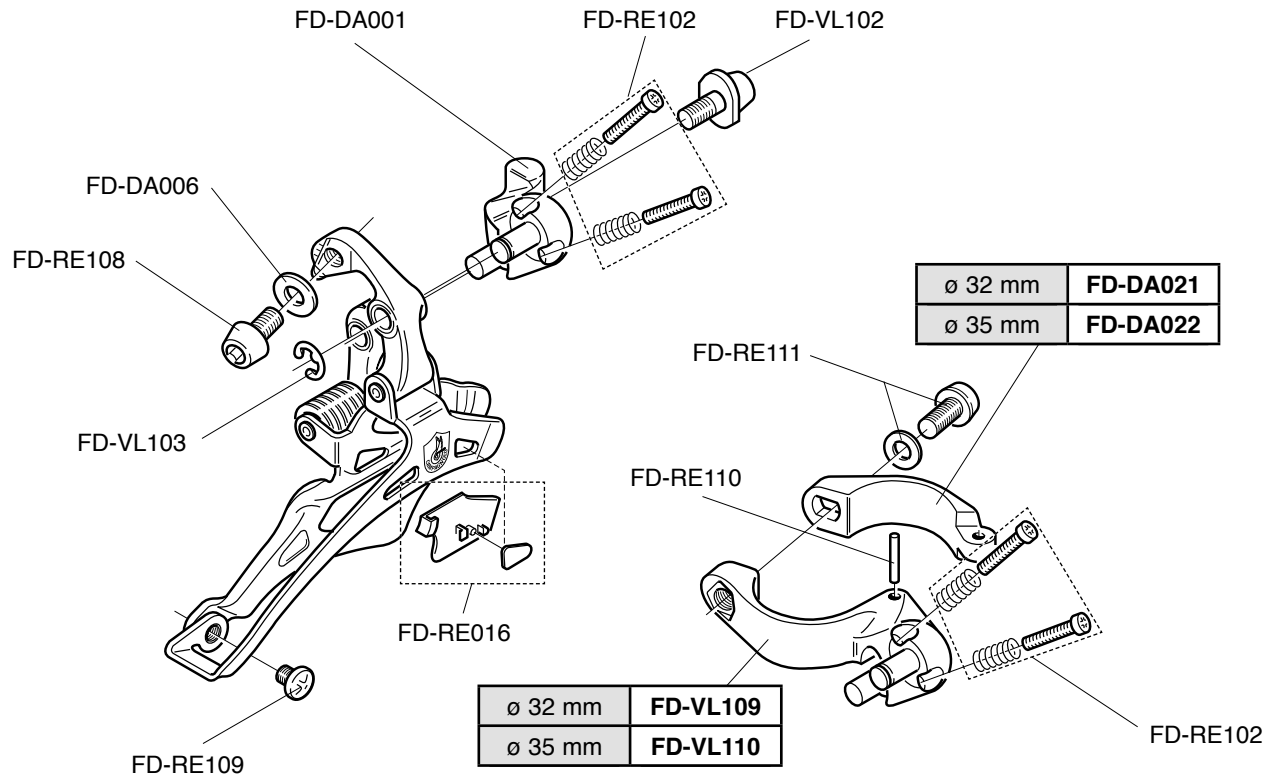




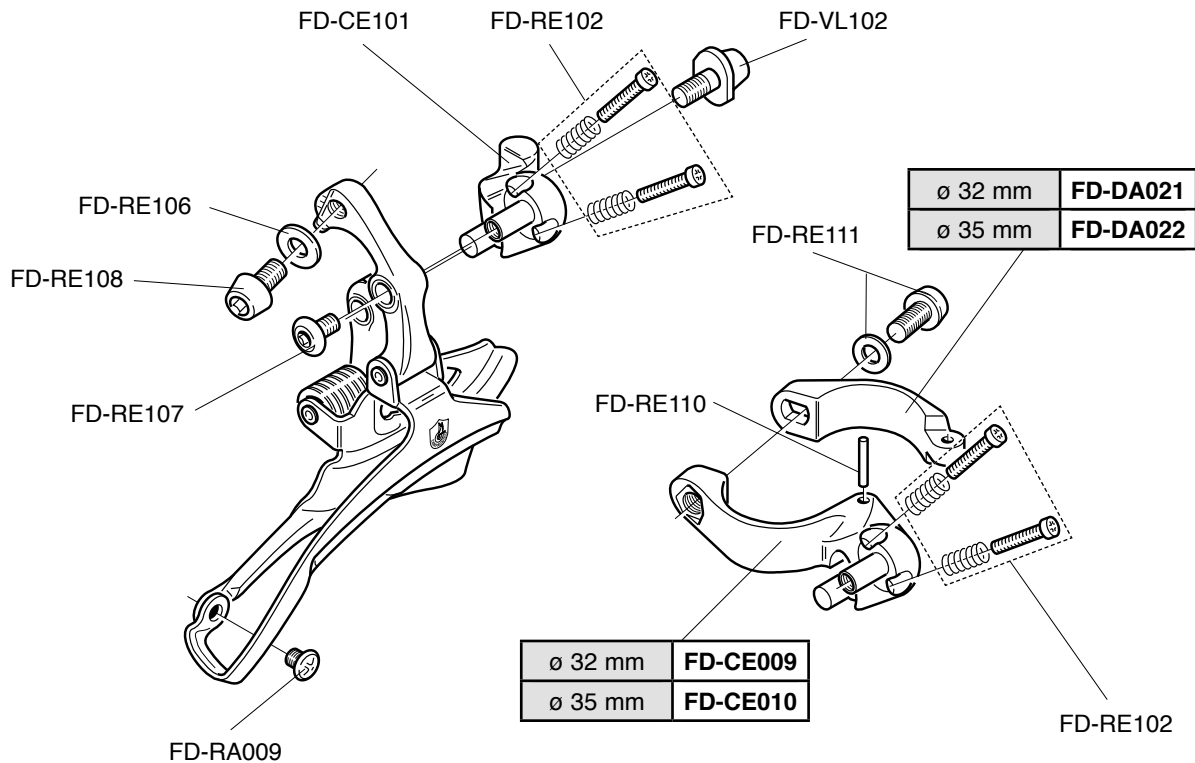
**MIRAGE™ QS™  
CT™ 10s  
FD7-MI2...CT**



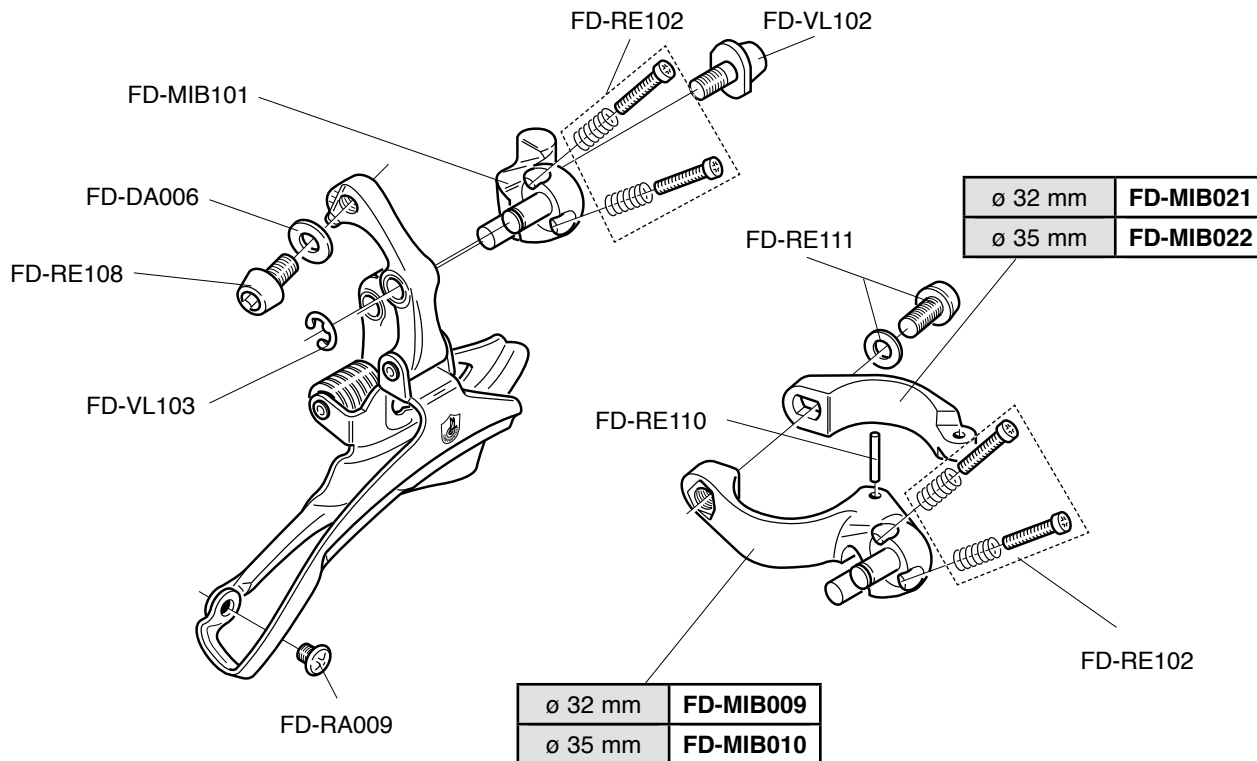
**XENON™ QS™**  
**CT™ 10s**  
**FD7-XE2...CT**



**COMP TRIPLE™**  
**10s**  
**FD7-CO3..**



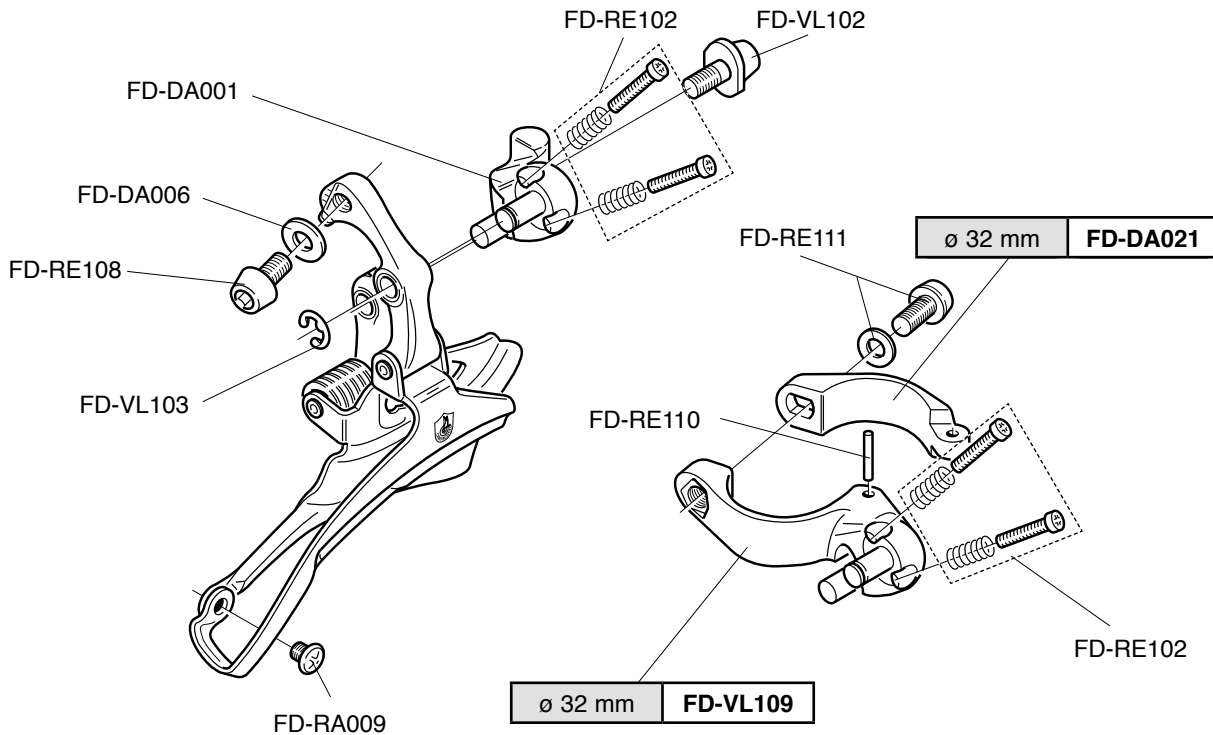
**RACE TRIPLE™**  
**10s**  
**FD7-RA3..**



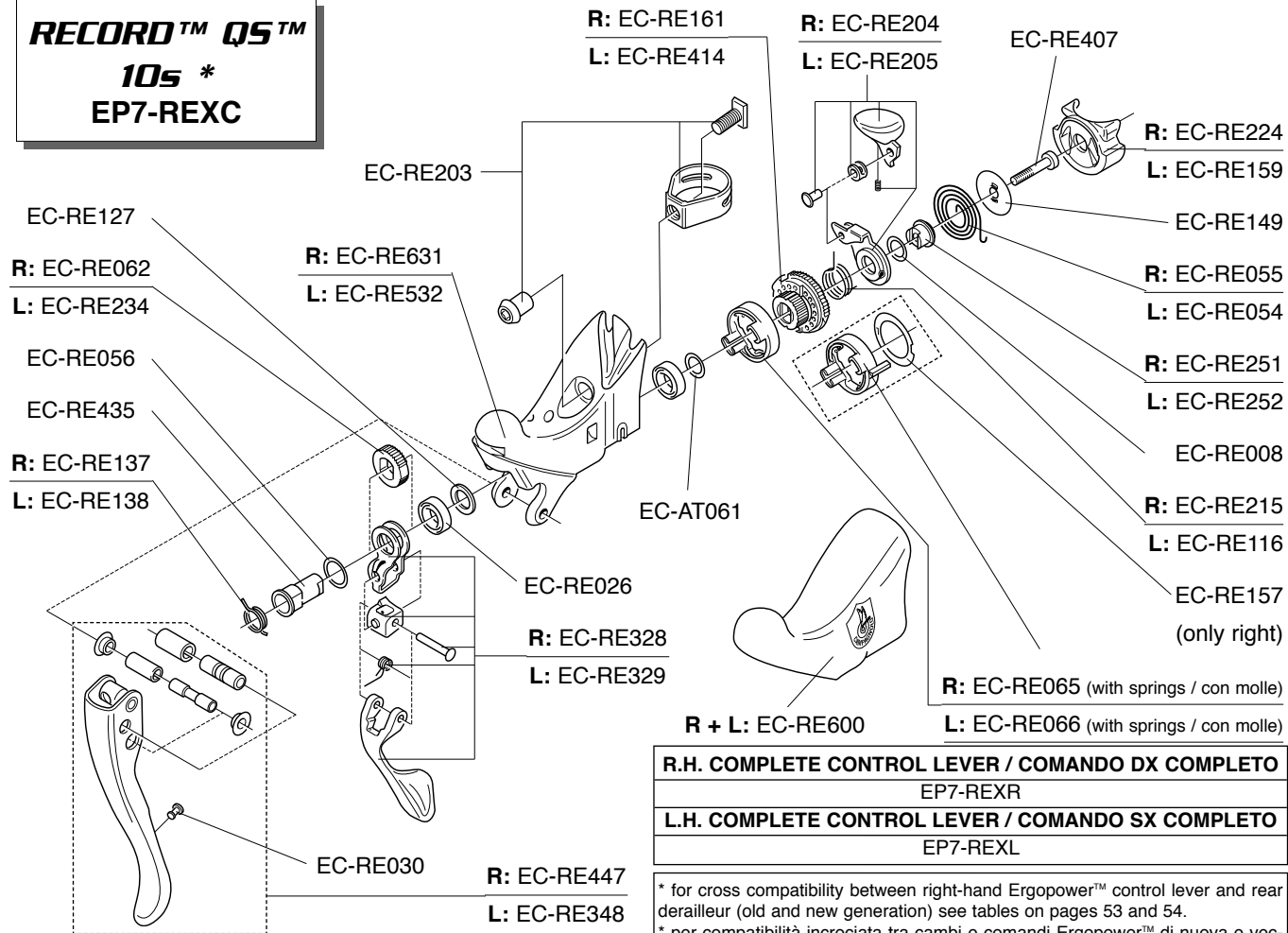
**CHAMP TRIPLE™**

**9s**

**FD7-CP3..**



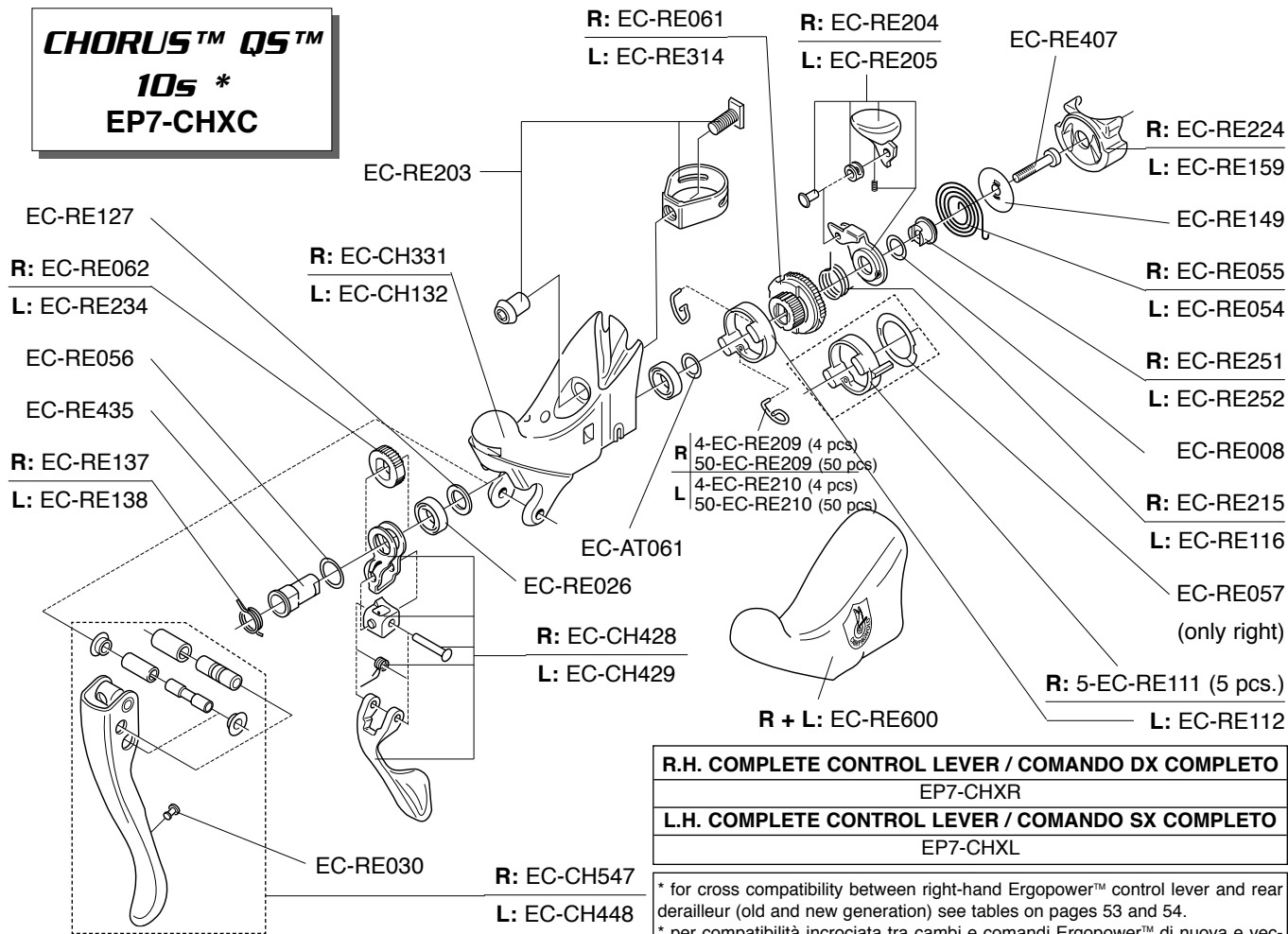
**RECORD™ QS™**  
**10s \***  
**EP7-REXC**



<b>R.H. COMPLETE CONTROL LEVER / COMANDO DX COMPLETO</b>
EP7-REXR
<b>L.H. COMPLETE CONTROL LEVER / COMANDO SX COMPLETO</b>
EP7-REXL

\* for cross compatibility between right-hand ErgoPower™ control lever and rear derailleur (old and new generation) see tables on pages 53 and 54.  
 \* per compatibilità incrociata tra cambi e comandi ErgoPower™ di nuova e vecchia generazione vedi tabelle alle pagg. 53 e 54.

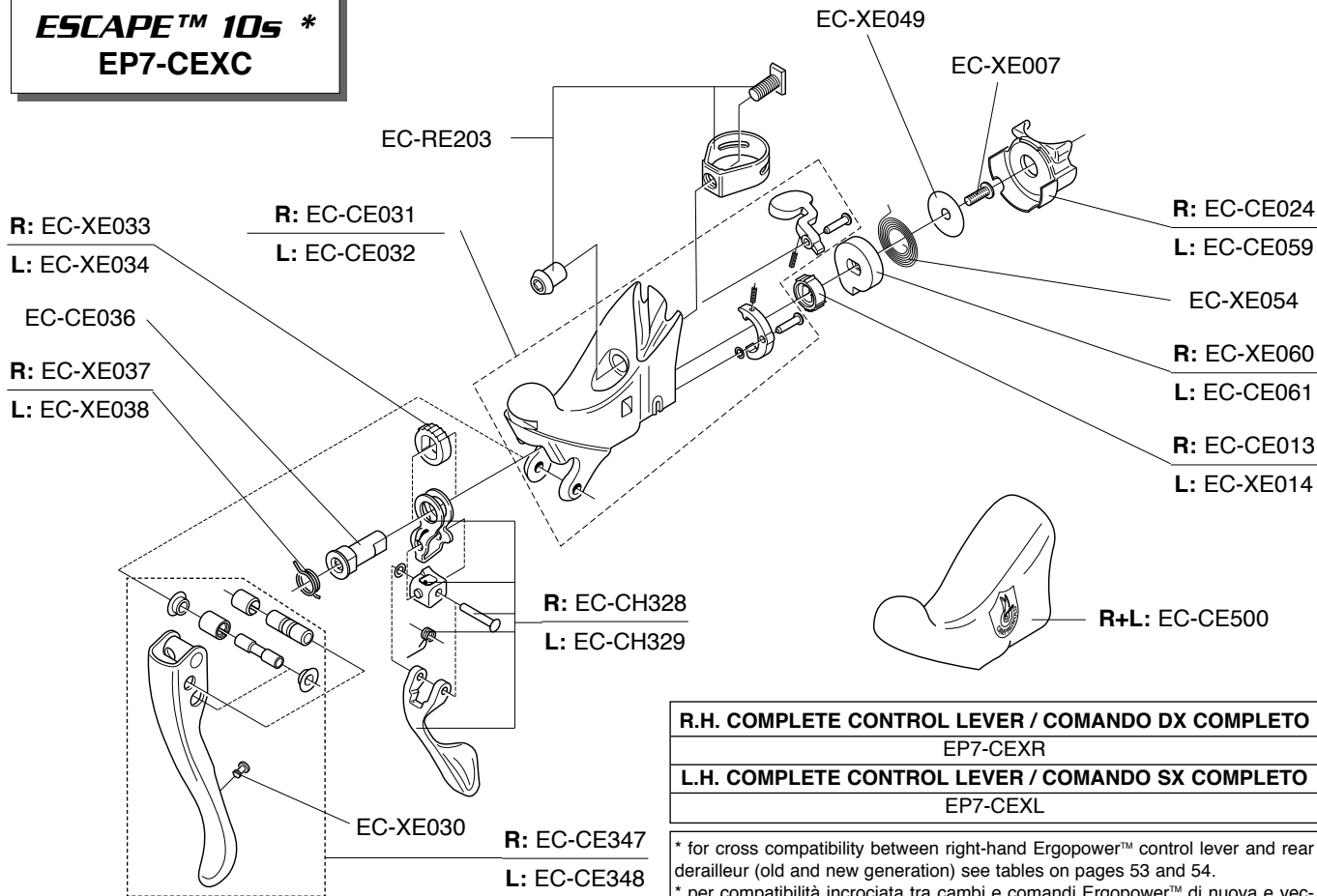
**CHORUS™ QS™**  
**10s \***  
**EP7-CHXC**



<b>R.H. COMPLETE CONTROL LEVER / COMANDO DX COMPLETO</b>
EP7-CHXR
<b>L.H. COMPLETE CONTROL LEVER / COMANDO SX COMPLETO</b>
EP7-CHXL

\* for cross compatibility between right-hand Ergopower™ control lever and rear derailleur (old and new generation) see tables on pages 53 and 54.  
 \* per compatibilità incrociata tra cambi e comandi Ergopower™ di nuova e vecchia generazione vedi tabelle alle pagg. 53 e 54.

**CENTAUR™ QS™**  
**ESCAPE™ 10s \***  
**EP7-CEXC**

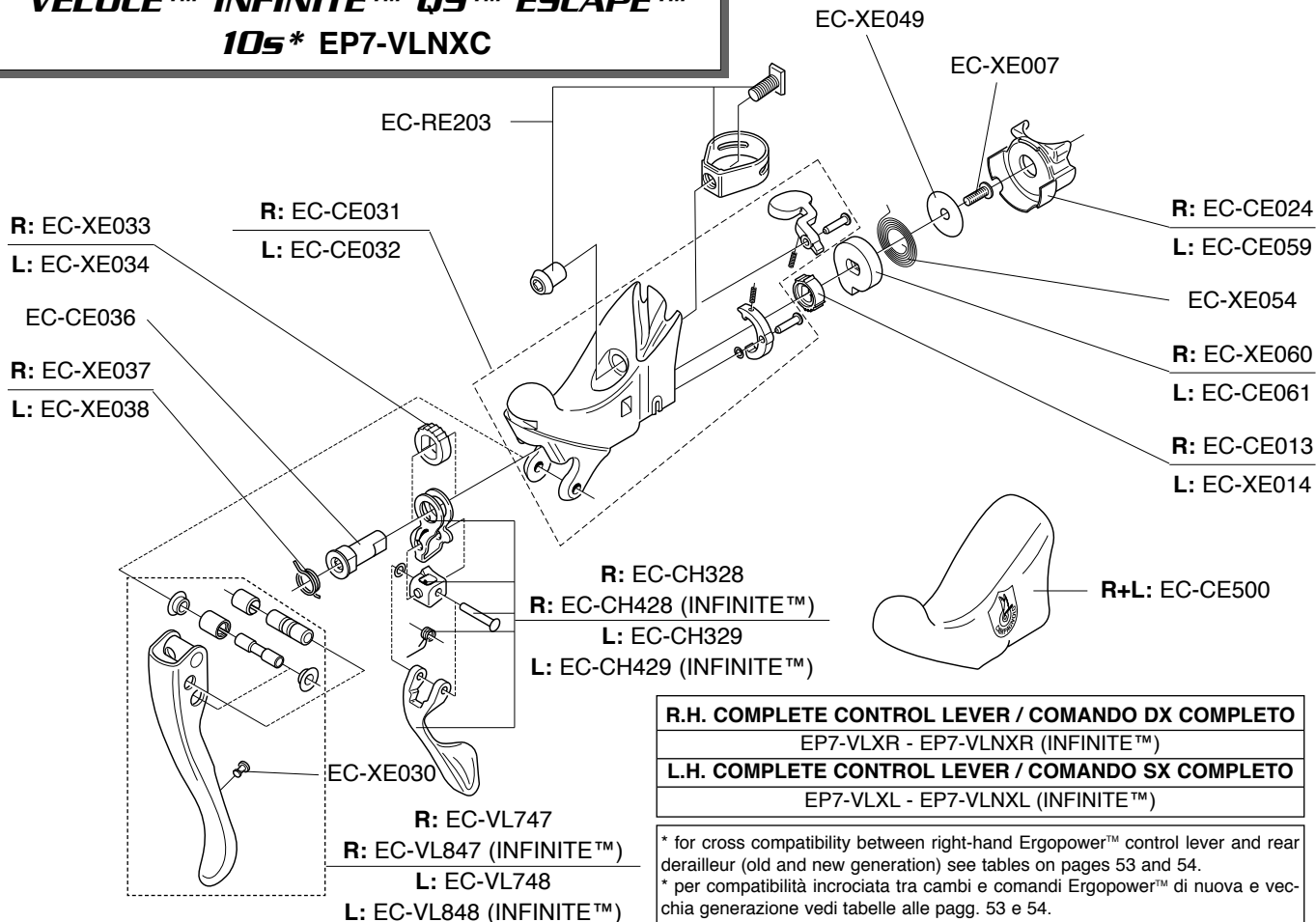


<b>R.H. COMPLETE CONTROL LEVER / COMANDO DX COMPLETO</b>
EP7-CEXR
<b>L.H. COMPLETE CONTROL LEVER / COMANDO SX COMPLETO</b>
EP7-CEXL

\* for cross compatibility between right-hand Ergopower™ control lever and rear derailleur (old and new generation) see tables on pages 53 and 54.  
 \* per compatibilità incrociata tra cambi e comandi Ergopower™ di nuova e vecchia generazione vedi tabelle alle pagg. 53 e 54.



**VELOCE™ QS™ ESCAPE™ 10s\* EP7-VLXC**  
**VELOCE™ INFINITE™ QS™ ESCAPE™**  
**10s\* EP7-VLNXC**



**R.H. COMPLETE CONTROL LEVER / COMANDO DX COMPLETO**

EP7-VLXR - EP7-VLNXR (INFINITE™)

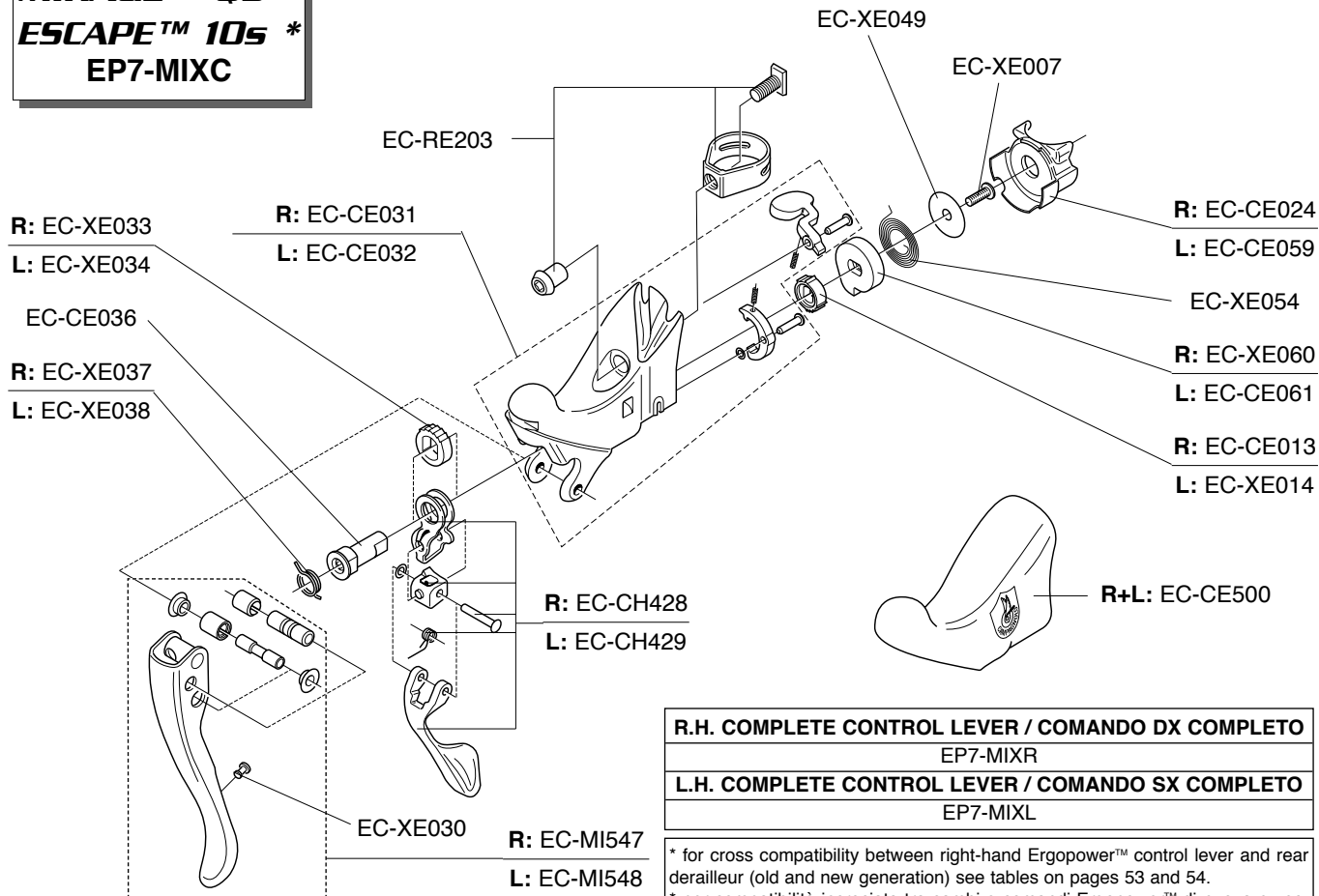
**L.H. COMPLETE CONTROL LEVER / COMANDO SX COMPLETO**

EP7-VLXL - EP7-VLNXL (INFINITE™)

\* for cross compatibility between right-hand ErgoPower™ control lever and rear derailleur (old and new generation) see tables on pages 53 and 54.

\* per compatibilità incrociata tra cambi e comandi ErgoPower™ di nuova e vecchia generazione vedi tabelle alle pagg. 53 e 54.

**MIRAGE™ QS™**  
**ESCAPE™ 10s \***  
**EP7-MIXC**



**R.H. COMPLETE CONTROL LEVER / COMANDO DX COMPLETO**

EP7-MIXR

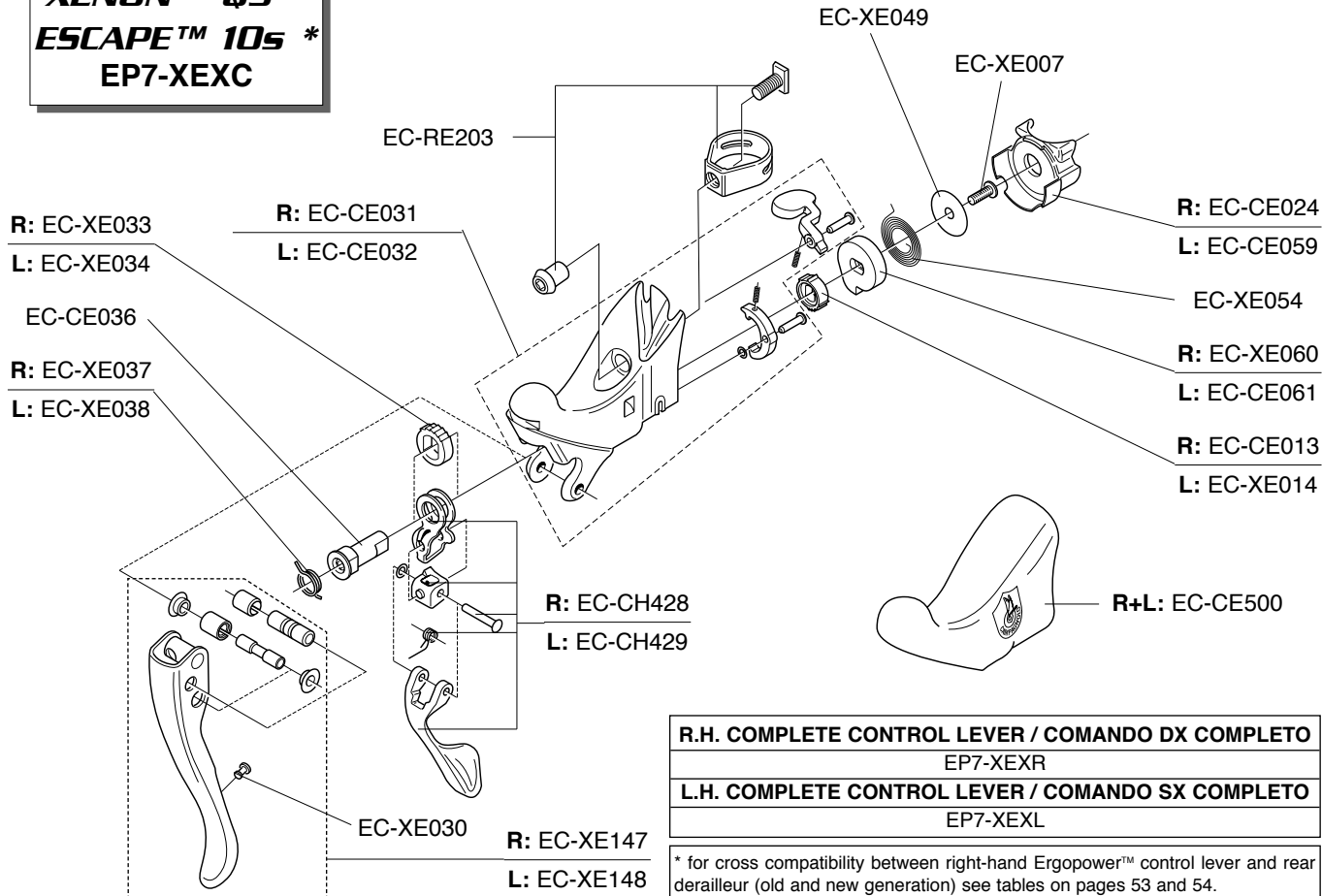
**L.H. COMPLETE CONTROL LEVER / COMANDO SX COMPLETO**

EP7-MIXL

\* for cross compatibility between right-hand Ergopower™ control lever and rear derailleur (old and new generation) see tables on pages 53 and 54.

\* per compatibilità incrociata tra cambi e comandi Ergopower™ di nuova e vecchia generazione vedi tabelle alle pagg. 53 e 54.

**XENON™ QS™**  
**ESCAPE™ 10s \***  
**EP7-XEXC**




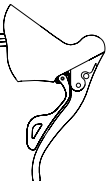
<b>R.H. COMPLETE CONTROL LEVER / COMANDO DX COMPLETO</b>
EP7-XEXR
<b>L.H. COMPLETE CONTROL LEVER / COMANDO SX COMPLETO</b>
EP7-XEXL

\* for cross compatibility between right-hand Ergopower™ control lever and rear derailleur (old and new generation) see tables on pages 53 and 54.  
 \* per compatibilità incrociata tra cambi e comandi Ergopower™ di nuova e vecchia generazione vedi tabelle alle pagg. 53 e 54.

**CROSS COMPATIBILITY BETWEEN RIGHT-HAND ERGOPOWER™  
CONTROL LEVERS AND REAR DERAILLEURS  
(old and new generation)**

**COMPATIBILITÀ INCROCIATA TRA COMANDI ERGOPOWER™ DX E CAMBI  
(nuova e vecchia generazione)**

**ERGOPOWER™ CONTROL LEVERS / COMANDI ERGOPOWER™**

SPEED / VELOCITÀ	YEAR / ANNO	FEATURES / CARATTERISTICHE		
8s	< 1988	"old style" (pointed) body / corpo a punta		<b>up to/ fino al 1997</b>
9s	1997	"old style" (pointed) body / corpo a punta		
9s	1998	"new style" (rounded) body / corpo arrotondato		
9s	1999-2000	"new style" (rounded) body, ErgoBrain computer ready / corpo arrotondato, predisposizione ErgoBrain		<b>from/dal 1998 to/al 2007</b>
9s	2001-2006	"9 speed" mark, "new style" (rounded) body, ErgoBrain™ computer ready / logo "9 speed" sul corpo, corpo arrotondato, compatibile con ErgoBrain™		
10s	2000-2006	"10 speed" mark, "new style" (rounded) body, ErgoBrain10™ computer ready / logo "10 speed" sul corpo, corpo arrotondato, compatibile con ErgoBrain10™		
10s RECORD™/CHORUS™	2007	"new style" body, "QS" mark on the left body, ErgoBrain10™ computer ready / logo "QS" sul corpo comando sinistro, compatibile con ErgoBrain10™		
10s CENTAUR™/VELOCE™/ MIRAGE™/XENON™	2007	"QS" mark on the left body, ESCAPE™ mechanism not compatible with ErgoBrain™ and ErgoBrain10™ computer/ logo "QS" sul corpo comando sinistro, meccanismo ESCAPE™ non compatibile con ErgoBrain™ e ErgoBrain10™		

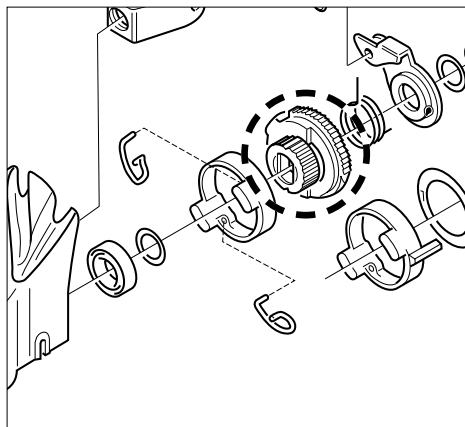
**REAR DERAILLEUR / CAMBIO**

SPEED / VELOCITÀ	YEAR / ANNO	FEATURES / CARATTERISTICHE
8s	< 1998	adjusting system on the upper body / sistema di registrazione sul corpo superiore
9s	1997-2000	adjusting system on the upper body / sistema di registrazione sul corpo superiore
9s	2001-2007	adjusting system on the lower body / sistema di registrazione sul corpo inferiore



**CROSS COMPATIBILITY BETWEEN RIGHT-HAND ERGOPOWER™  
CONTROL LEVERS AND REAR DERAILLEURS  
(old and new generation)**

**COMPATIBILITÀ INCROCIATA TRA COMANDI ERGOPOWER™ DX E CAMBI  
(nuova e vecchia generazione)**

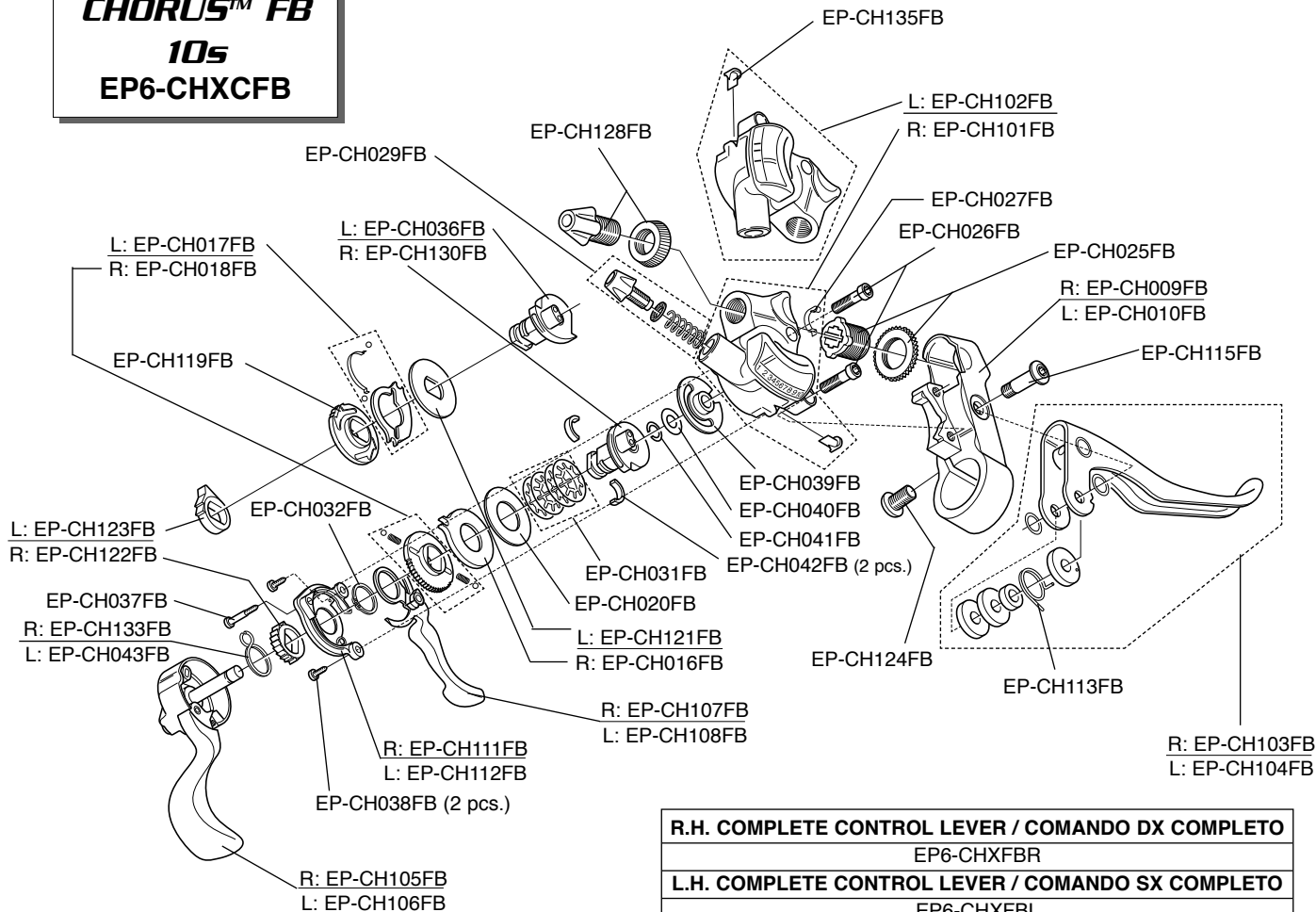


The codes in the table are referring to the indexing ratchet of the right-hand Ergopower™ (see the figure). To ensure the compatibility between replace the indexing ratchet with the one indicated in the table (referring to the rear derailleur / Ergopower™ control levers combination).

I codici in tabella si riferiscono alla bussola dentata (evidenziata in figura) del comando dx Ergopower™: per assicurare la compatibilità tra cambio ed Ergopower destro, va eventualmente sostituita la bussola dentata esistente con quella indicata in tabella (a seconda della combinazione cambio / comandi Ergopower™).

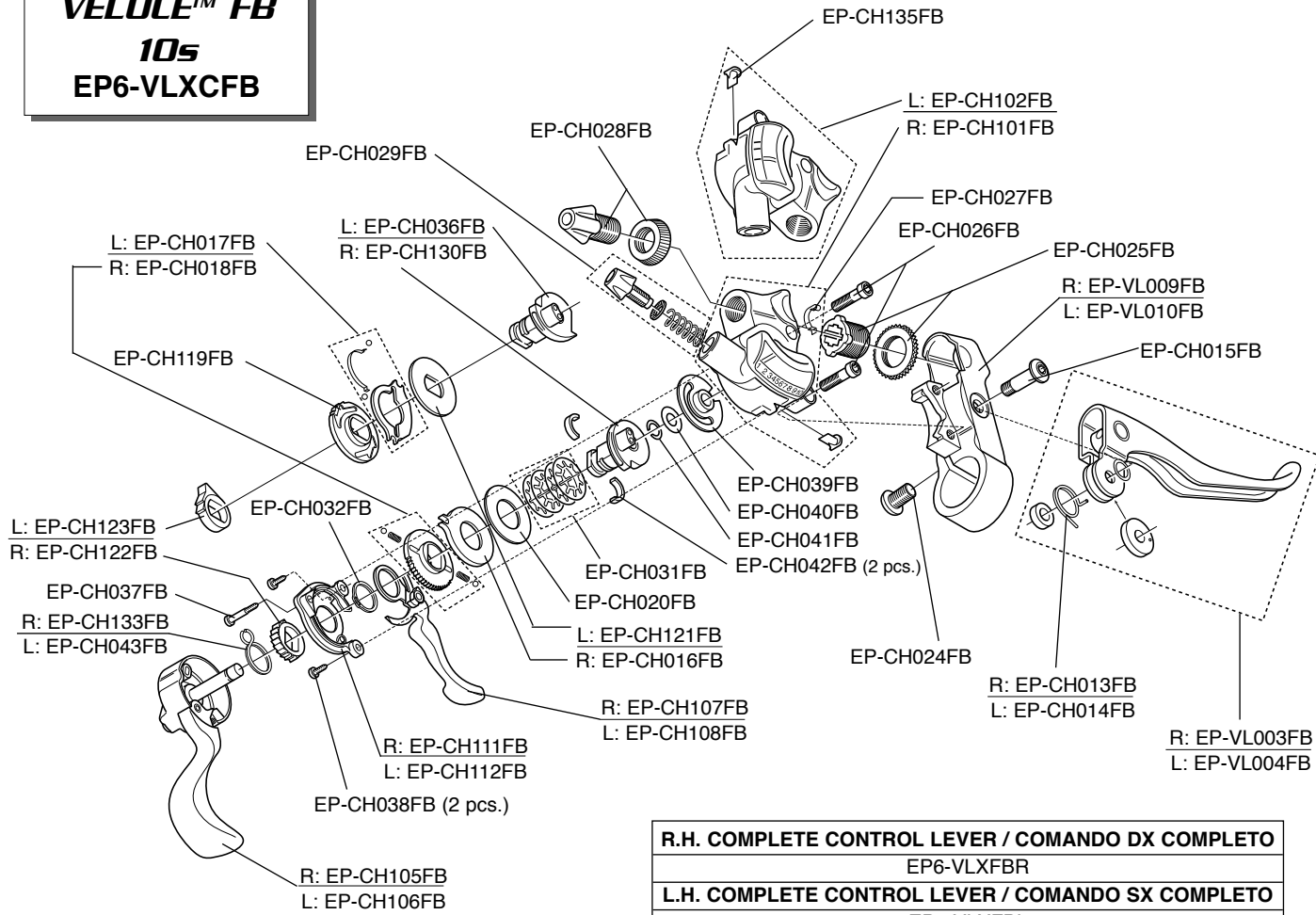
	9s 2001-2007 rear derailleur / cambio 9s 2001-2007	9s 1997-2000 rear derailleur / cambio 9s 1997-2000	8s rear derailleur / cambio 8s
Ergopower™ 8s	OK * (with C9 chain / con catena C9)	OK * (with C9 chain / con catena C9)	OK
Ergopower™ 9s 1999-2000	EC-RE063	OK	EC-RE060
Ergopower™ 9s 2001-2006	OK	EC-RE313	EC-RE060
Ergopower™ 10s 2000-2006	EC-RE063	EC-RE313	EC-RE060
Ergopower™ 10s 2007 RE-CH	EC-RE063	EC-RE313	EC-RE060

**CHORUS™ FB**  
**10s**  
**EP6-CHXCFB**



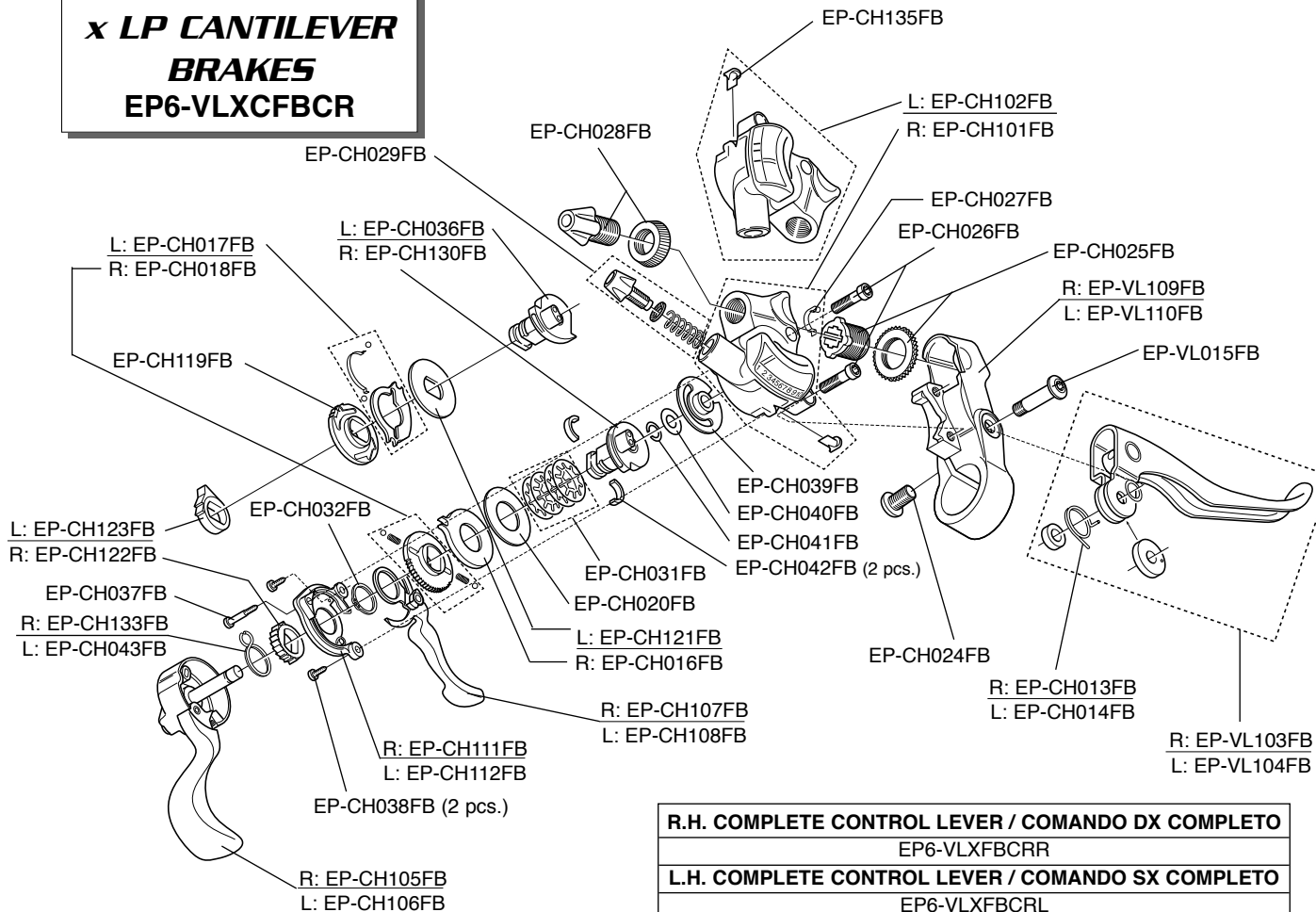
<b>R.H. COMPLETE CONTROL LEVER / COMANDO DX COMPLETO</b>
EP6-CHXFBR
<b>L.H. COMPLETE CONTROL LEVER / COMANDO SX COMPLETO</b>
EP6-CHXFBL

**VELOCE™ FB**  
**10s**  
**EP6-VLXCFB**



<b>R.H. COMPLETE CONTROL LEVER / COMANDO DX COMPLETO</b>
EP6-VLXFBR
<b>L.H. COMPLETE CONTROL LEVER / COMANDO SX COMPLETO</b>
EP6-VLXFBL

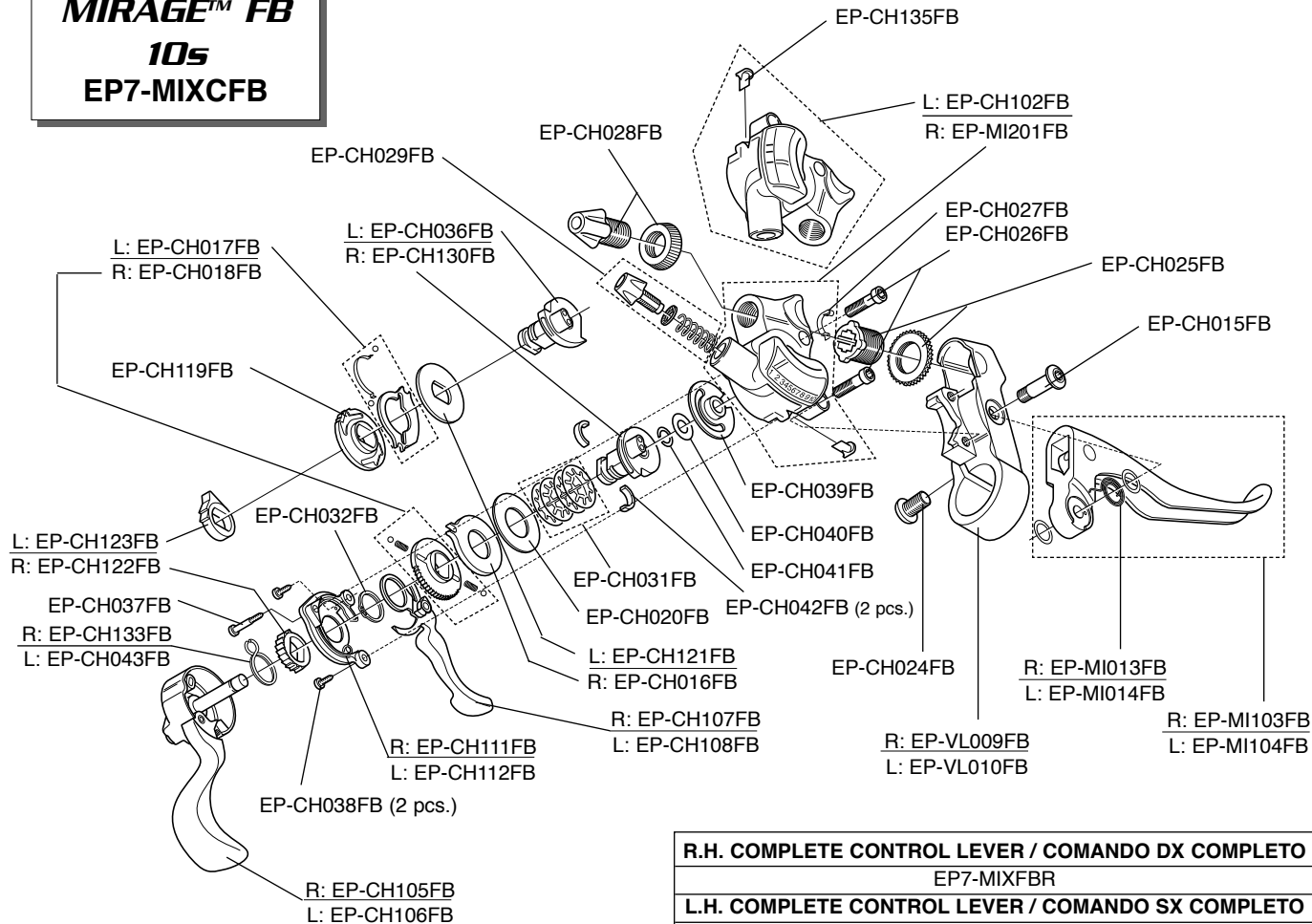
**VELOCE™ FB 10s  
x LP CANTILEVER  
BRAKES  
EP6-VLXCFCR**



<b>R.H. COMPLETE CONTROL LEVER / COMANDO DX COMPLETO</b>
EP6-VLXFBCRR
<b>L.H. COMPLETE CONTROL LEVER / COMANDO SX COMPLETO</b>
EP6-VLXFBCRL

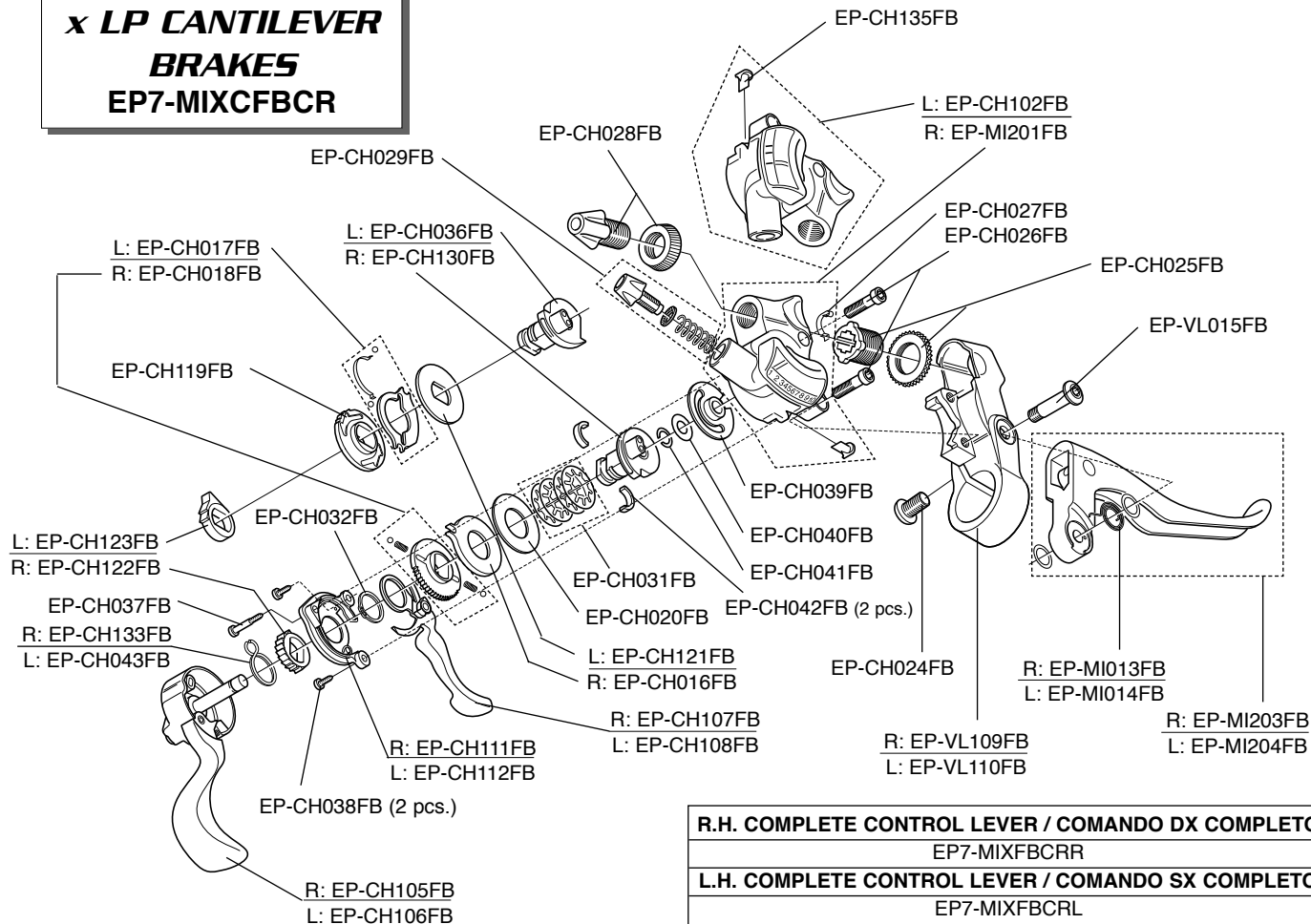


**MIRAGE™ FB  
10s  
EP7-MIXCFB**

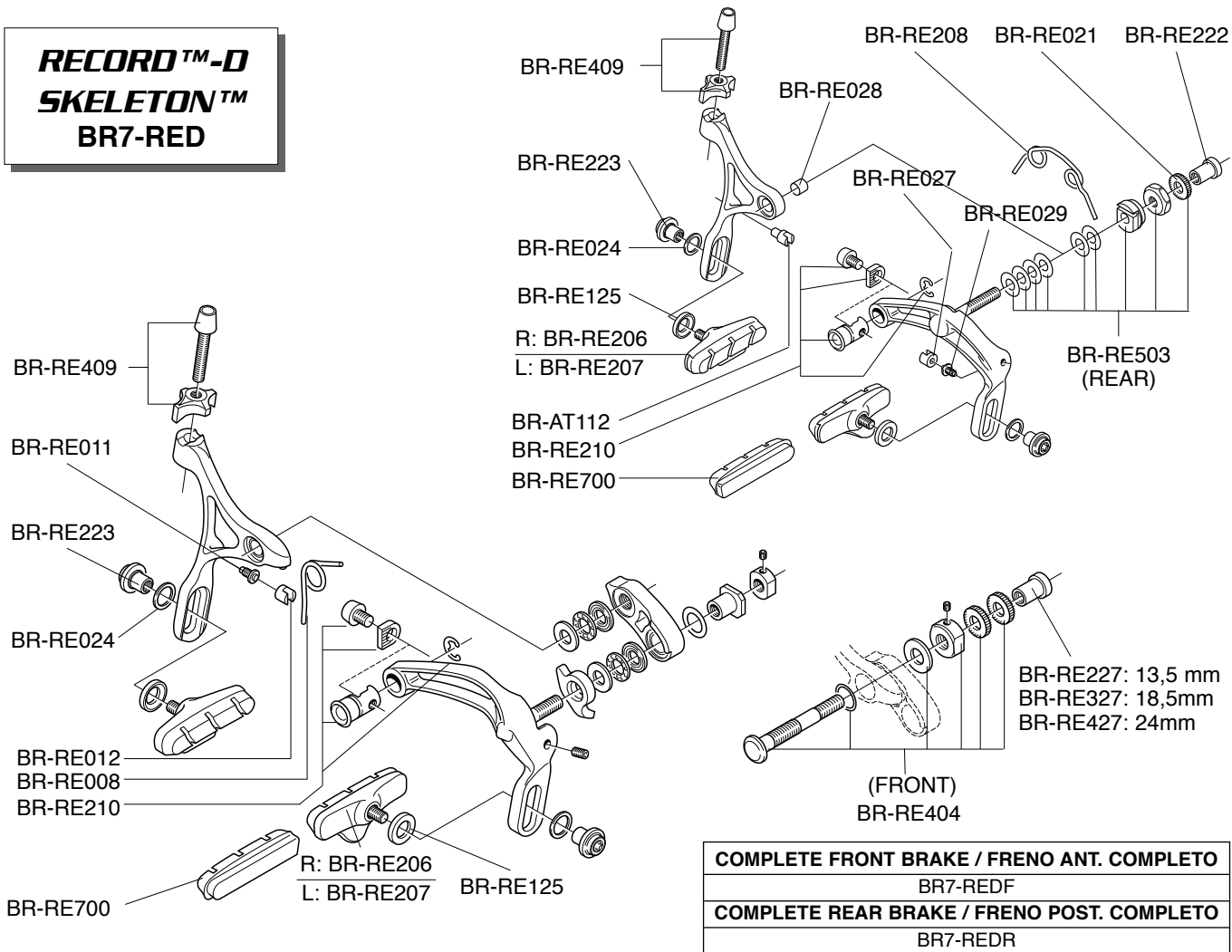


<b>R.H. COMPLETE CONTROL LEVER / COMANDO DX COMPLETO</b>
EP7-MIXFBR
<b>L.H. COMPLETE CONTROL LEVER / COMANDO SX COMPLETO</b>
EP7-MIXFBL

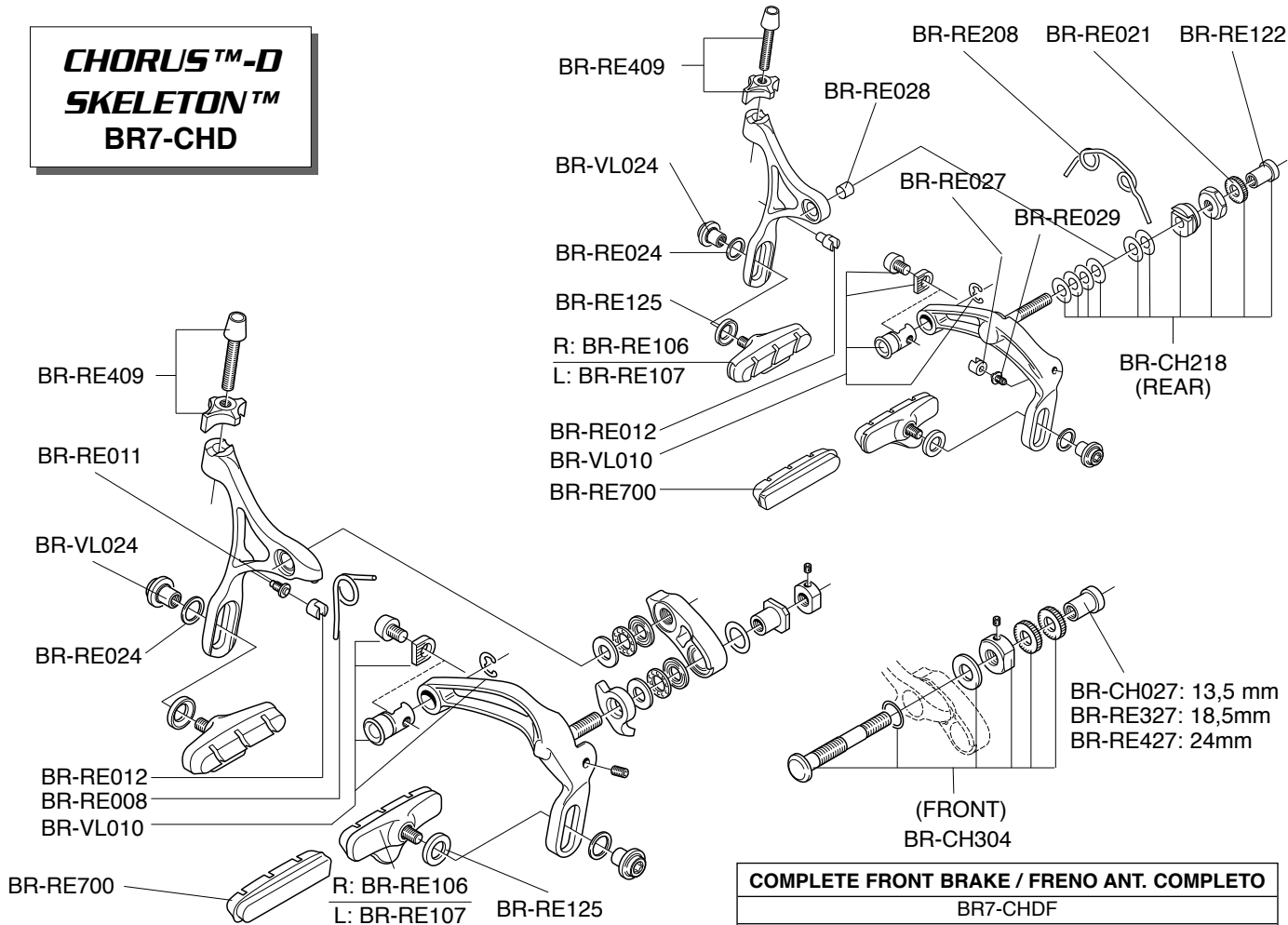
**MIRAGE™ FB 10s**  
**x LP CANTILEVER**  
**BRAKES**  
**EP7-MIXCFBCR**



## **RECORD™-D SKELETON™ BR7-RED**



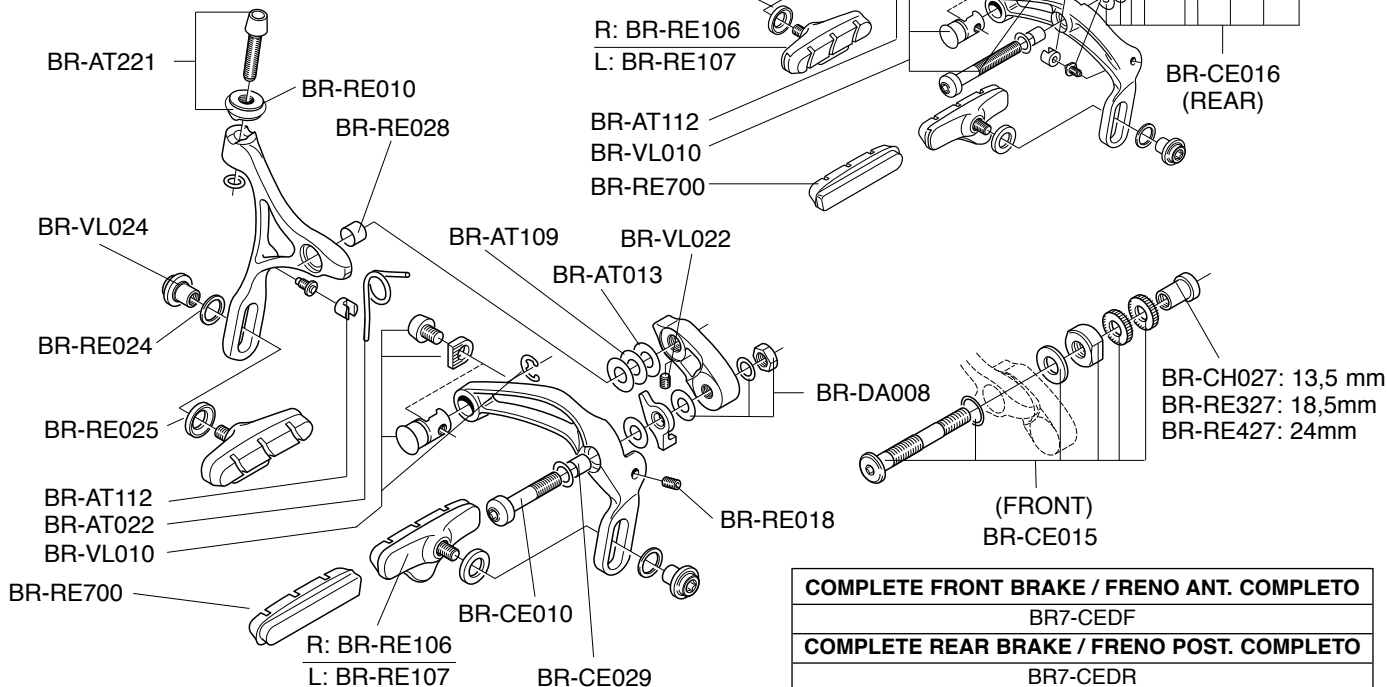
**CHORUS™-D**  
**SKELETON™**  
**BR7-CHD**



<b>COMPLETE FRONT BRAKE / FRENO ANT. COMPLETO</b>
BR7-CHDF
<b>COMPLETE REAR BRAKE / FRENO POST. COMPLETO</b>
BR7-CHDR

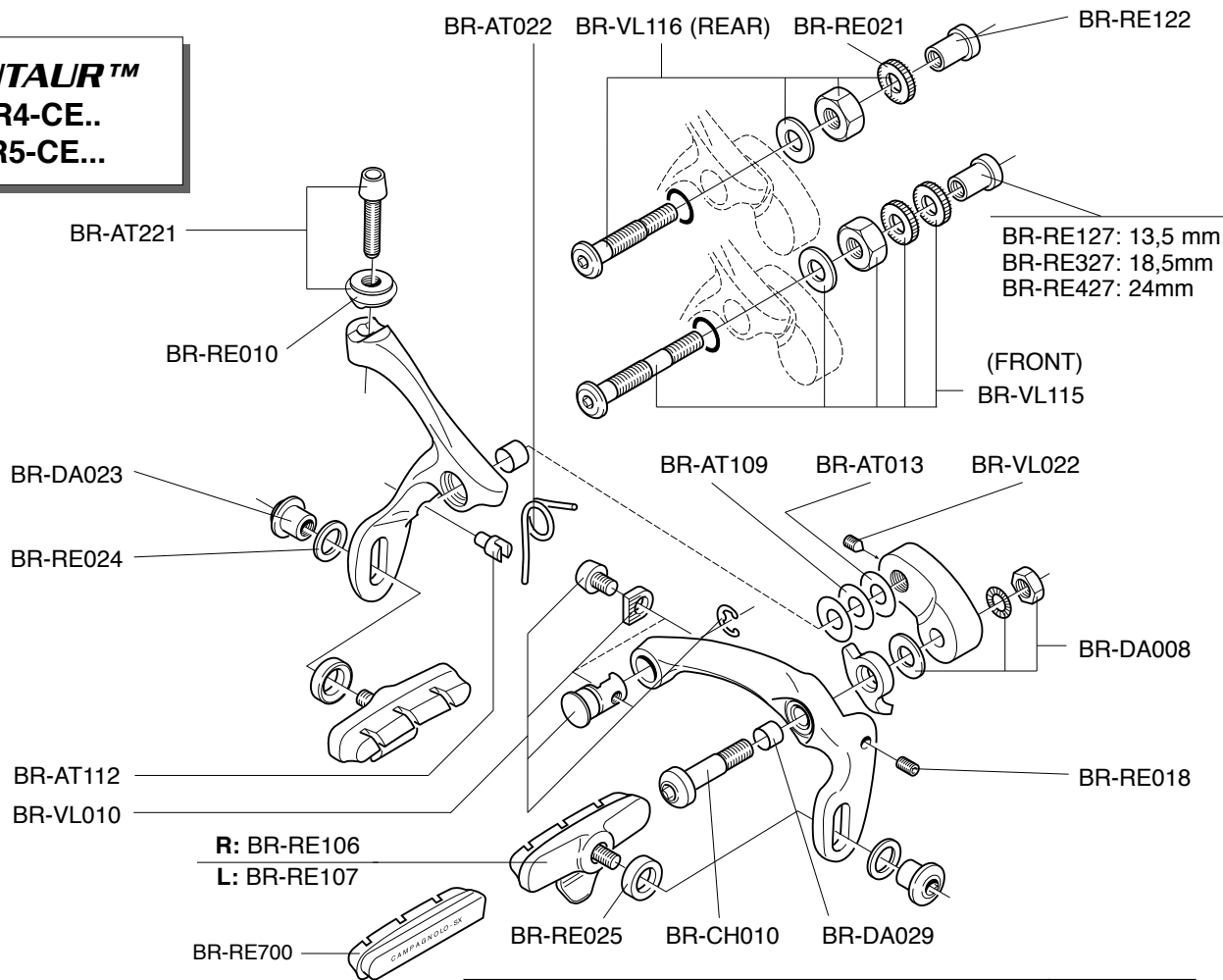
**BRAKES**

**CENTAUR™-D**  
**SKELETON™**  
**BR7-CE..**



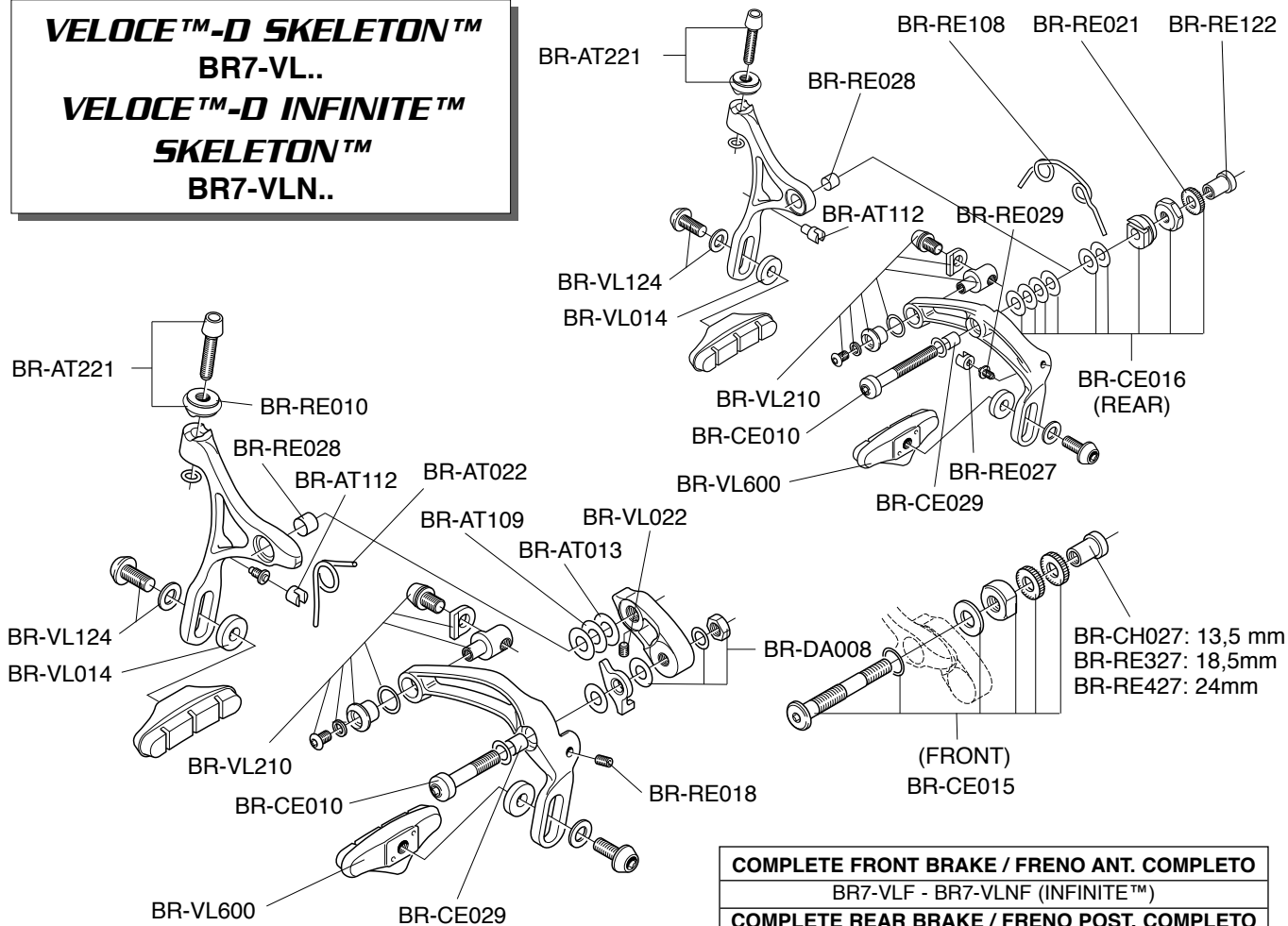
<b>COMPLETE FRONT BRAKE / FRENO ANT. COMPLETO</b>
BR7-CEDF
<b>COMPLETE REAR BRAKE / FRENO POST. COMPLETO</b>
BR7-CEDR

**CENTAUR™**  
**BR4-CE..**  
**BR5-CE...**



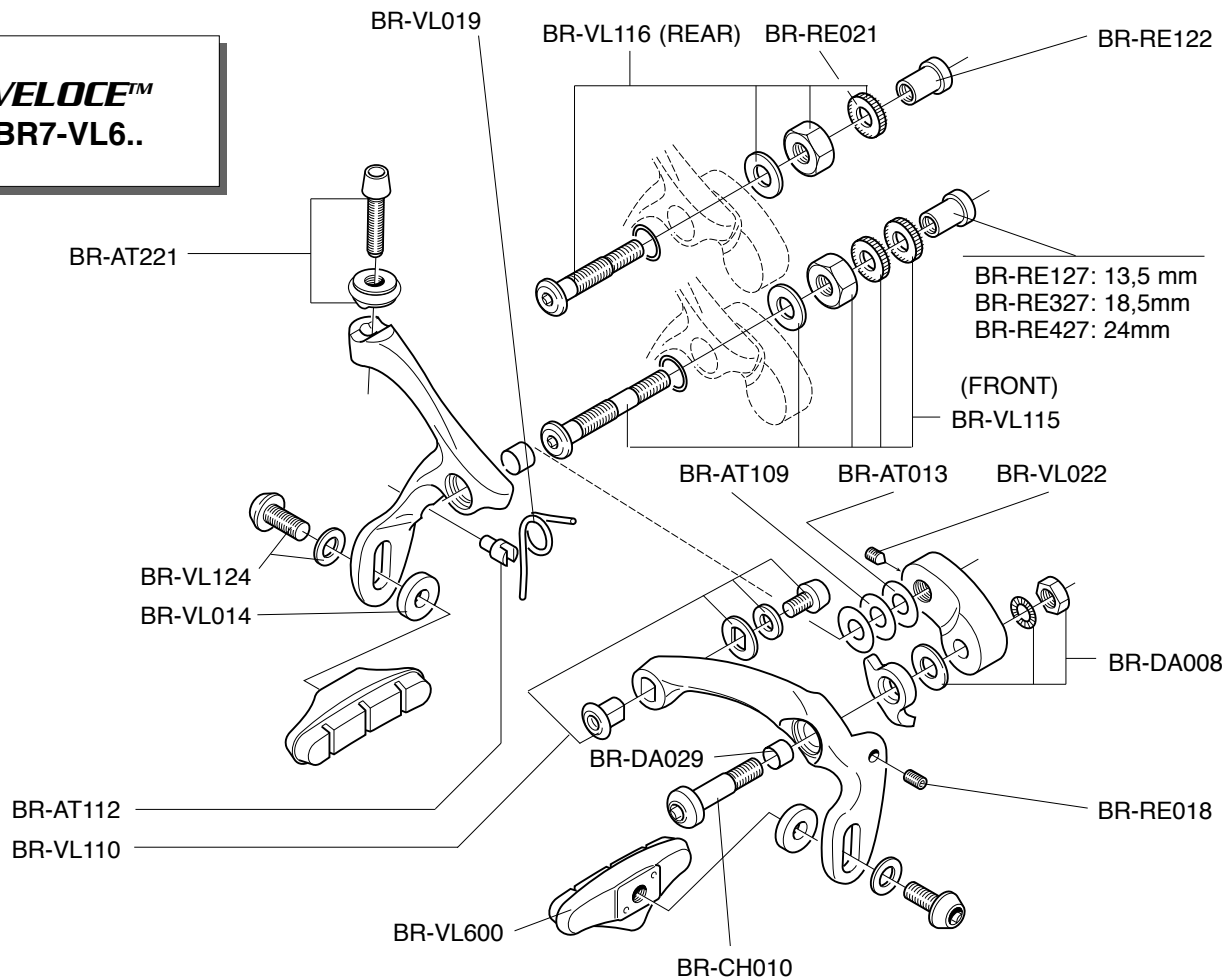
COMPLETE FRONT BRAKE / FRENO ANT. COMPLETO	BR4-CEF
COMPLETE REAR BRAKE / FRENO POST. COMPLETO	BR4-CER

**VELOCE™-D SKELETON™**  
**BR7-VL..**  
**VELOCE™-D INFINITE™**  
**SKELETON™**  
**BR7-VLN..**



<b>COMPLETE FRONT BRAKE / FRENO ANT. COMPLETO</b>
BR7-VLF - BR7-VLNF (INFINITE™)
<b>COMPLETE REAR BRAKE / FRENO POST. COMPLETO</b>
BR7-VLR - BR7-VLNR (INFINITE™)

**VELOCE™**  
**BR7-VL6..**



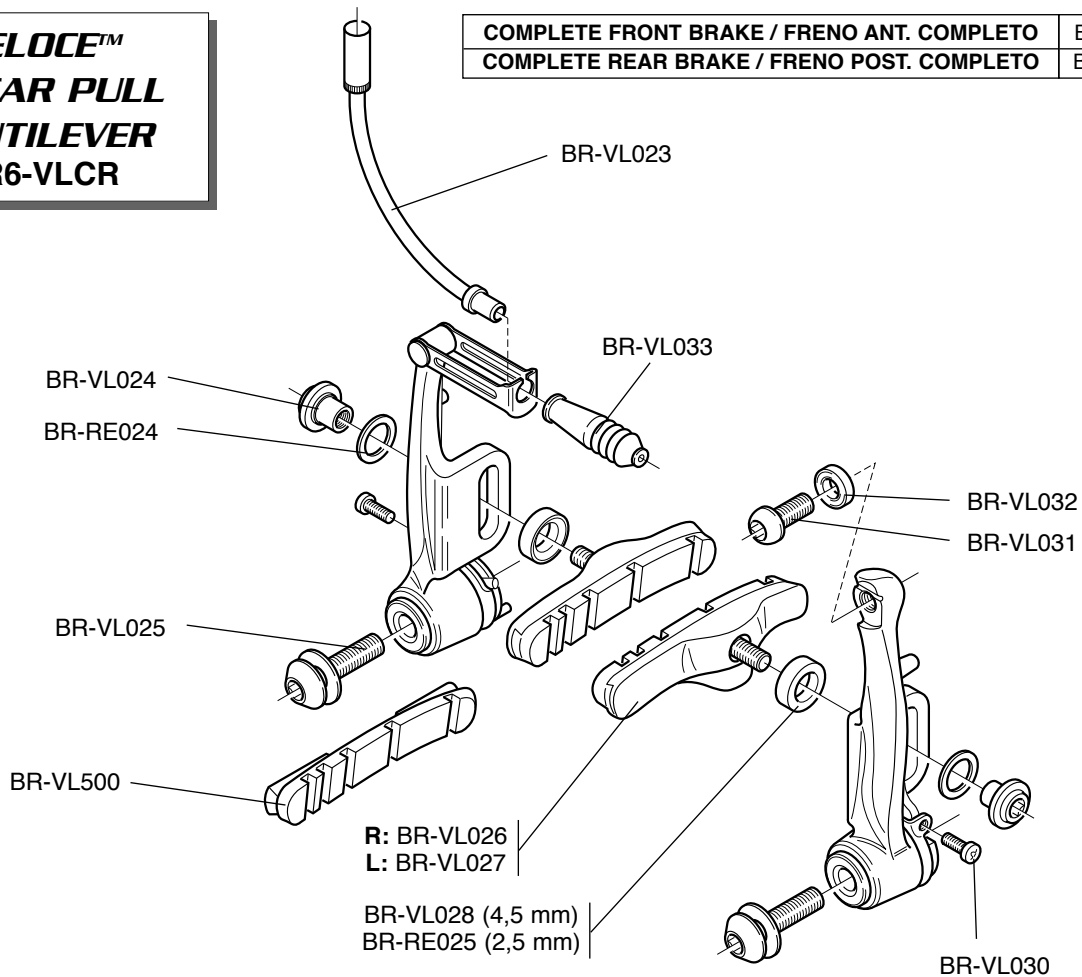
**COMPLETE FRONT BRAKE / FRENO ANT. COMPLETO**  
**COMPLETE REAR BRAKE / FRENO POST. COMPLETO**

BR7-VL6F  
BR7-VL6R

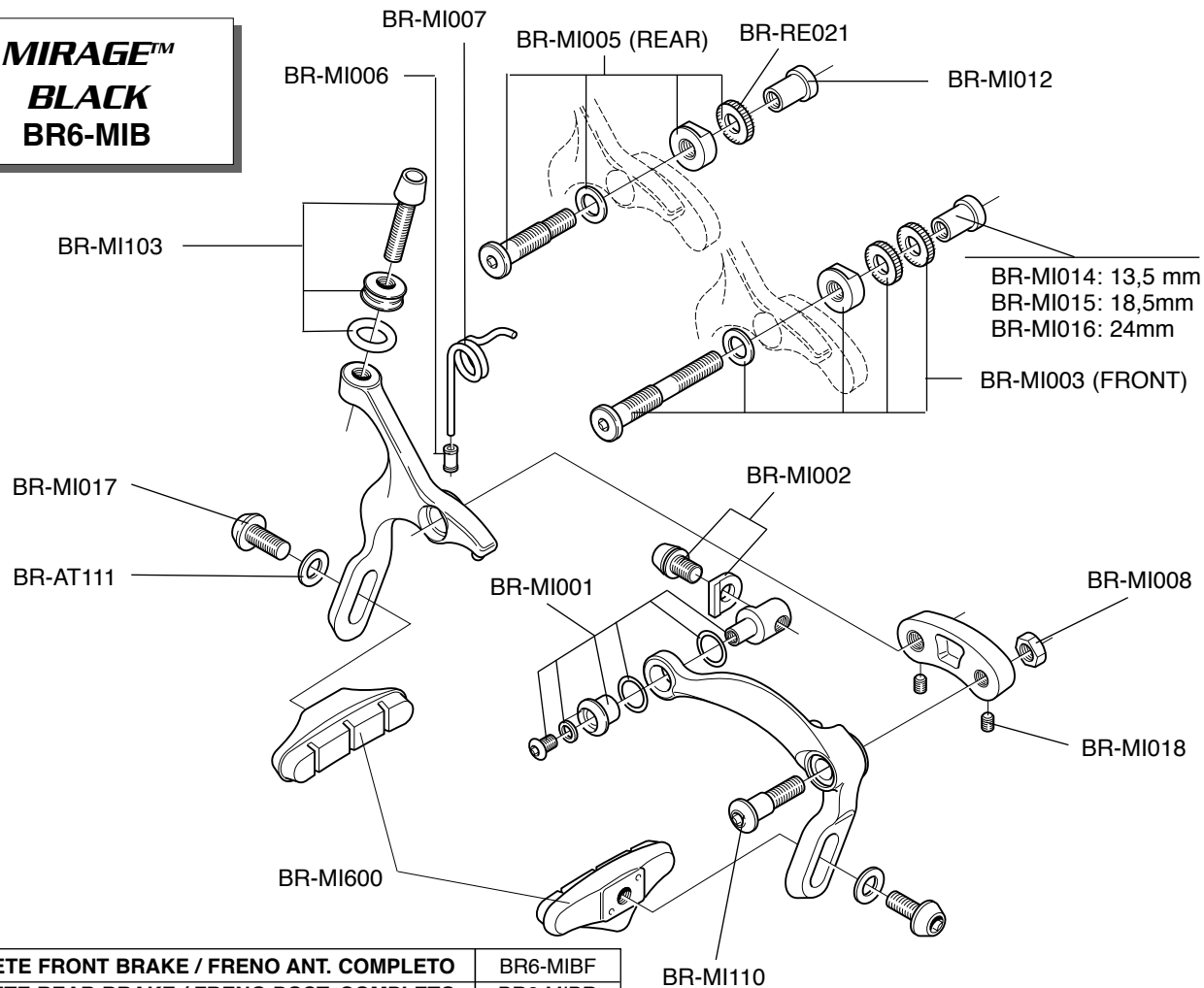


**VELOCE™**  
**LINEAR PULL**  
**CANTILEVER**  
**BR6-VLCR**

<b>COMPLETE FRONT BRAKE / FRENO ANT. COMPLETO</b>	<b>BR6-VLCRF</b>
<b>COMPLETE REAR BRAKE / FRENO POST. COMPLETO</b>	<b>BR6-VLCRR</b>



**MIRAGE™  
BLACK  
BR6-MIB**



COMPLETE FRONT BRAKE / FRENO ANT. COMPLETO

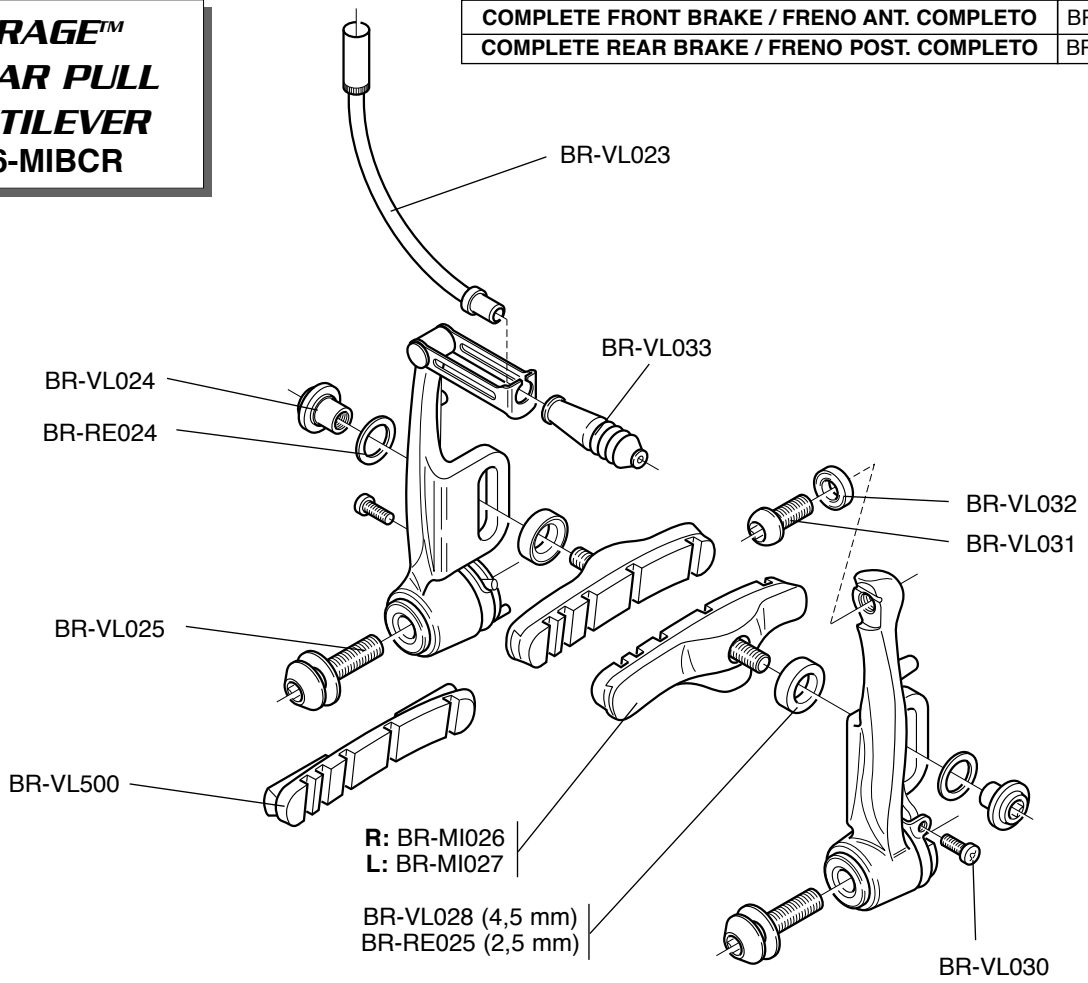
BR6-MIBF

COMPLETE REAR BRAKE / FRENO POST. COMPLETO

BR6-MIBR

**MIRAGE™  
LINEAR PULL  
CANTILEVER  
BR6-MIBCR**

COMPLETE FRONT BRAKE / FRENO ANT. COMPLETO	BR6-MIBCRF
COMPLETE REAR BRAKE / FRENO POST. COMPLETO	BR6-MIBCRR



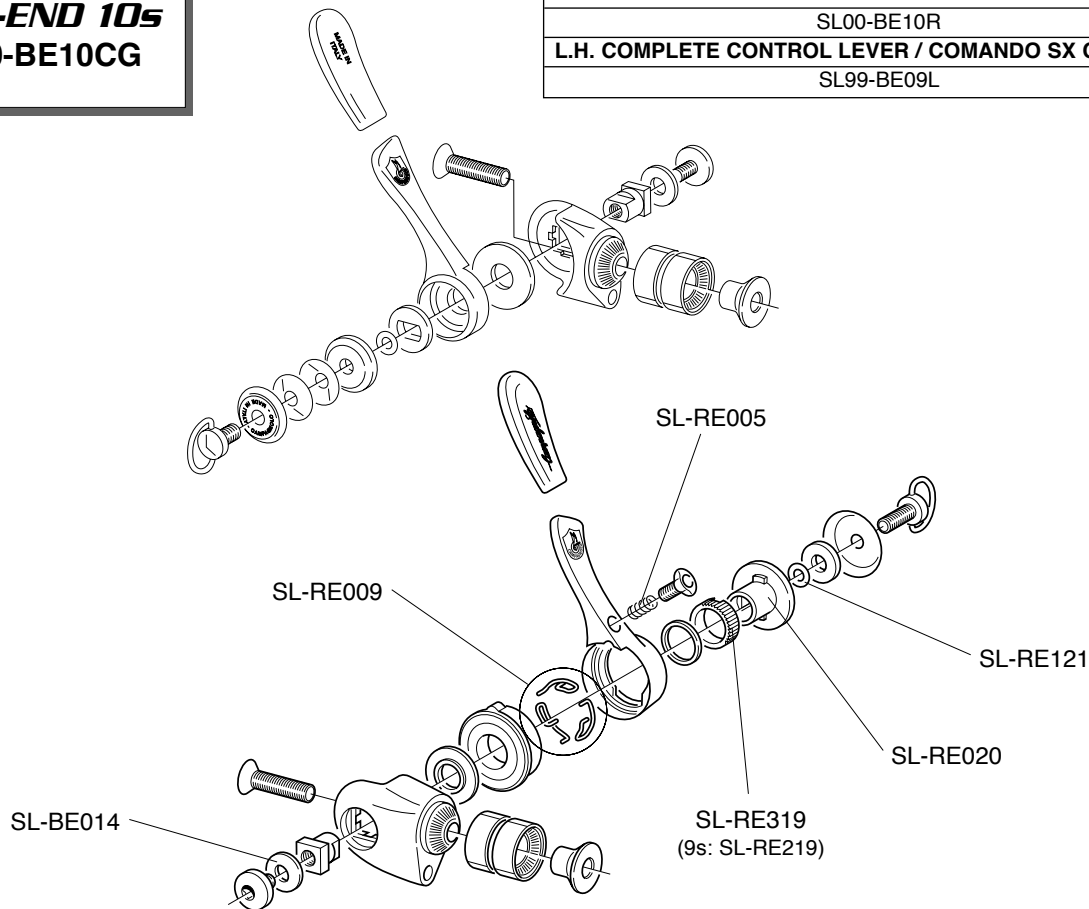
**BAR-END 10s**  
**SL00-BE10CG**

**R.H. COMPLETE CONTROL LEVER / COMANDO DX COMPLETO**

SL00-BE10R

**L.H. COMPLETE CONTROL LEVER / COMANDO SX COMPLETO**

SL99-BE09L



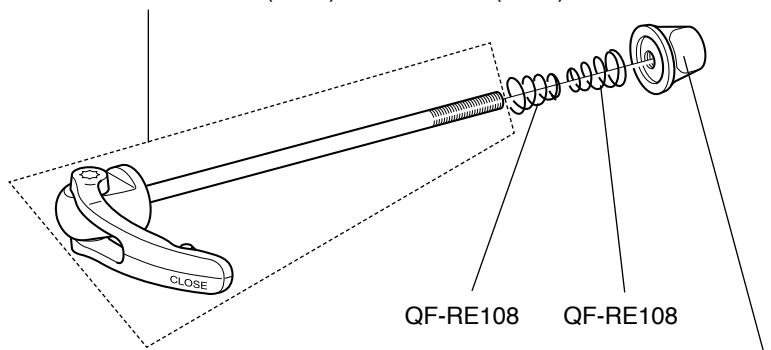


**SILVER**  
**QF6-20** (front)  
**QR6-20** (rear)  
**BLACK**  
**QF6-20B** (front)  
**QR6-20B** (rear)

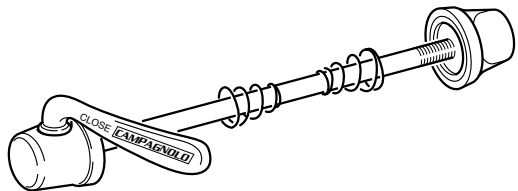
**SILVER**  
**QF6-30** (front)  
**QR6-30** (rear)  
**BLACK**  
**QF6-30B** (front)  
**QR6-30B** (rear)

**SILVER**  
**QF6-40** (front)  
**QR6-40** (rear)  
**BLACK**  
**QF6-40B** (front)  
**QR6-40B** (rear)

FRONT: QF-20001 (silver) - QF-20001B (black)  
 REAR: QR-20001 (silver) - QR-20001B (black)

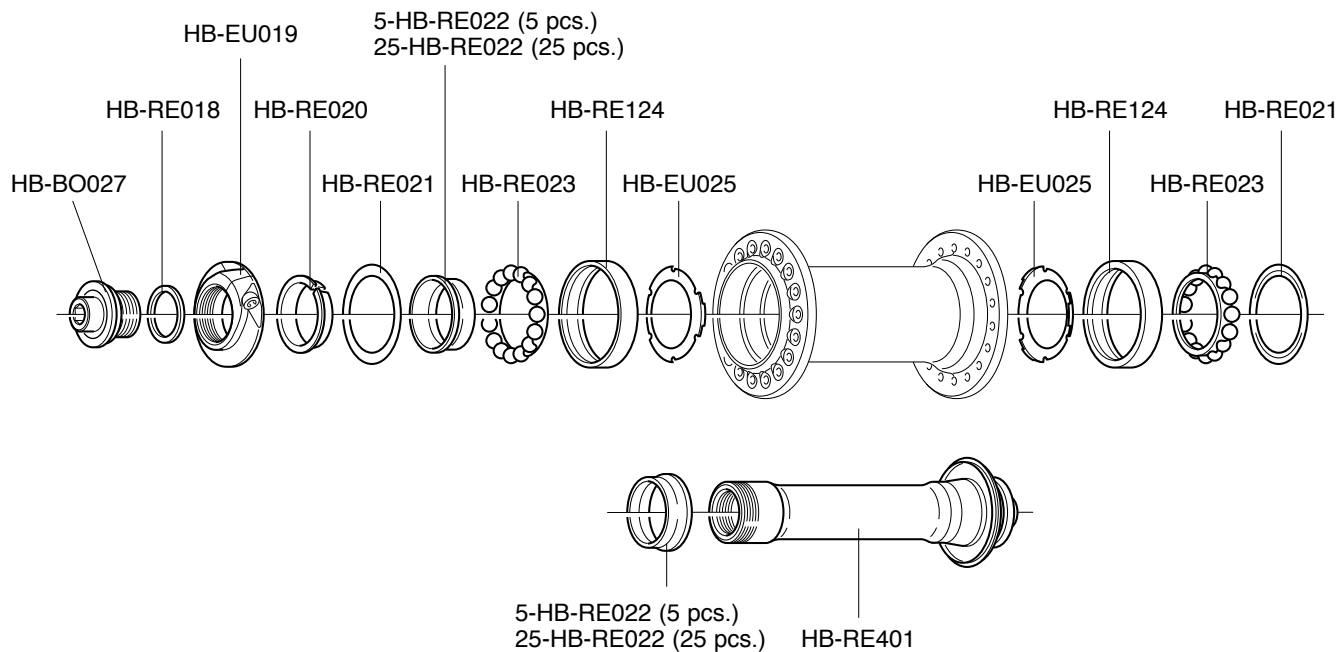


**20:** QF-20002 (silver) - QF-20002B (black)  
**30:** QF-30002 (silver) - QF-30002B (black)

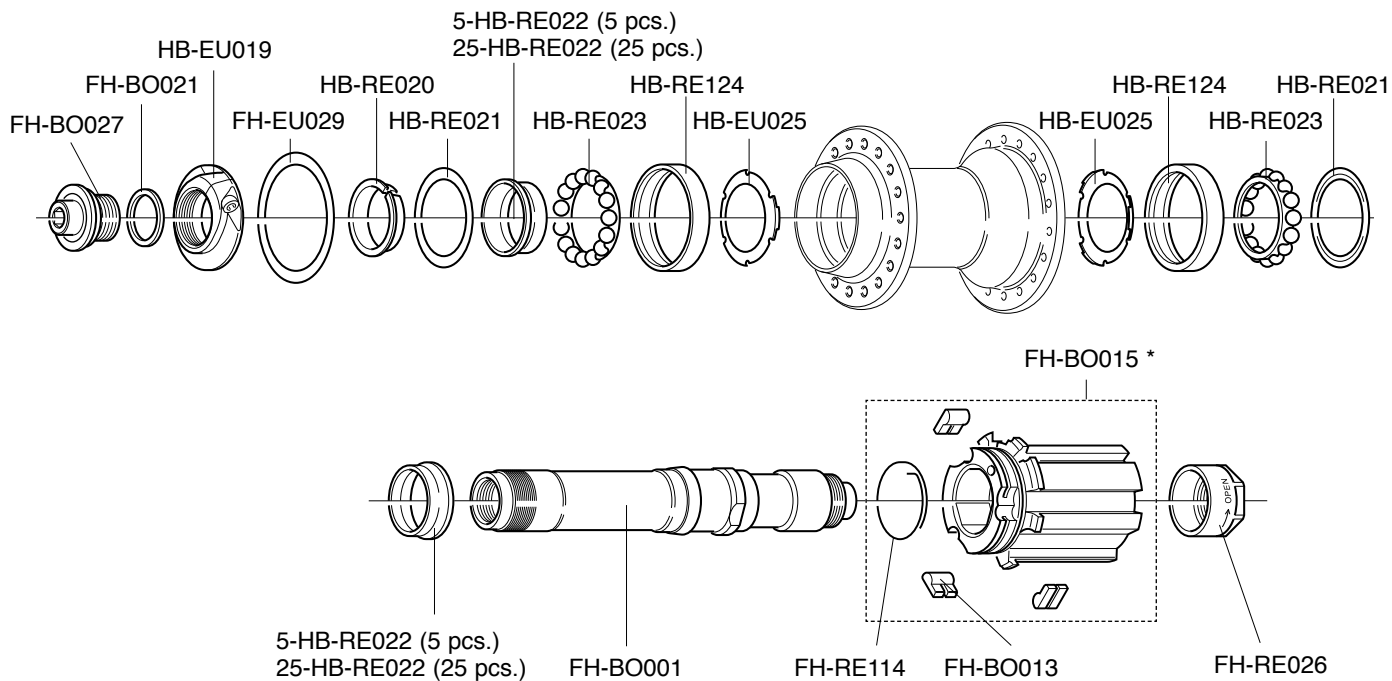


# FRONT HUB

**RECORD™**  
**HB7-RE..**



**RECORD™ 9s/10s**  
**FH7-RE..**



\* compatible only with new axle code FH-BO001

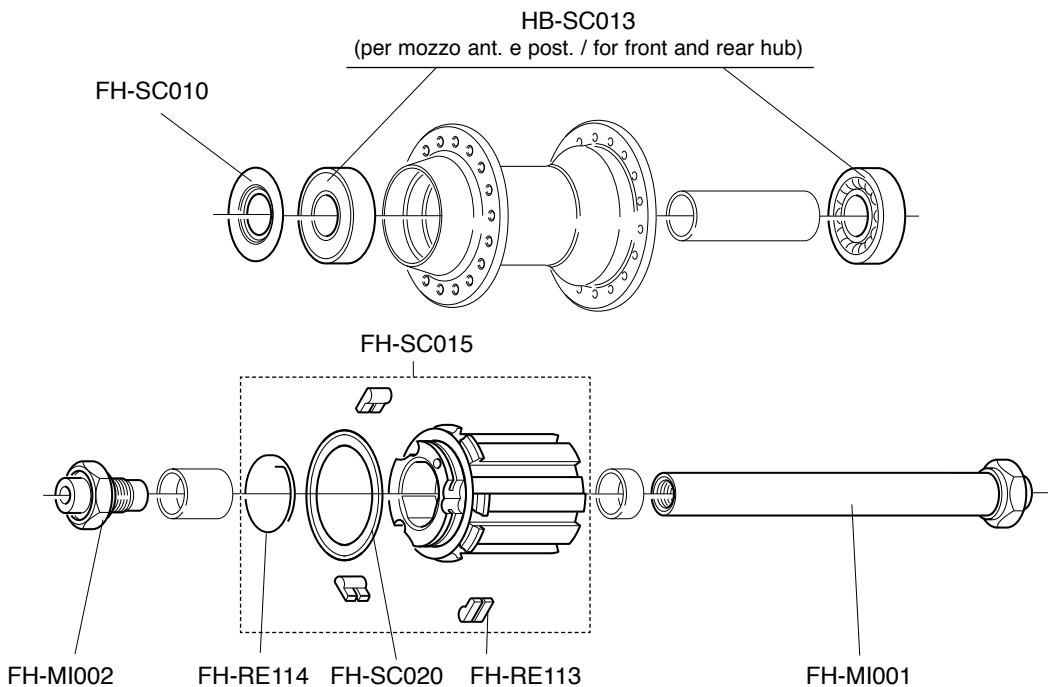


**CENTAUR™ 9s/10s**

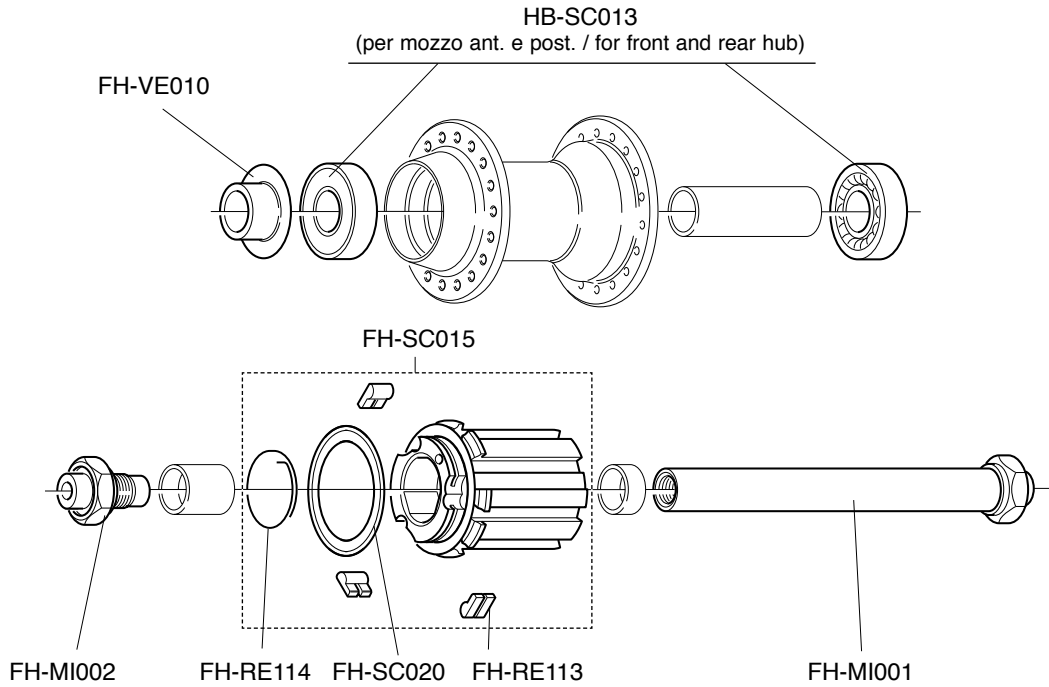
**FH7-CE.**

**VELOCE™ 9s/10s**

**FH7-VL..**

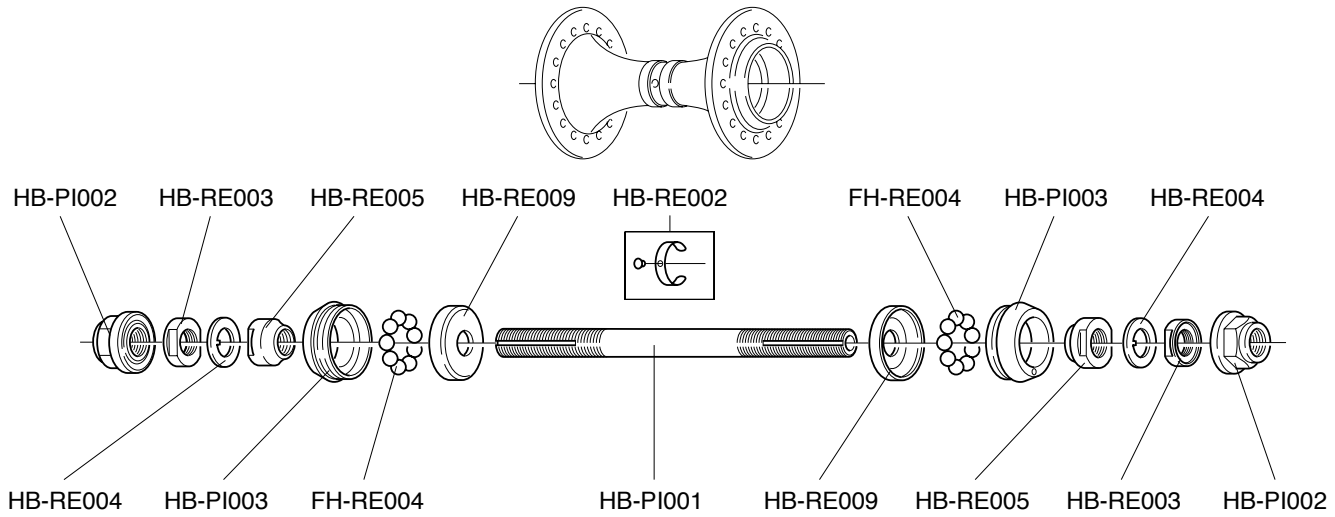


**MIRAGE™ 9s/10s**  
**FH7-MI..**

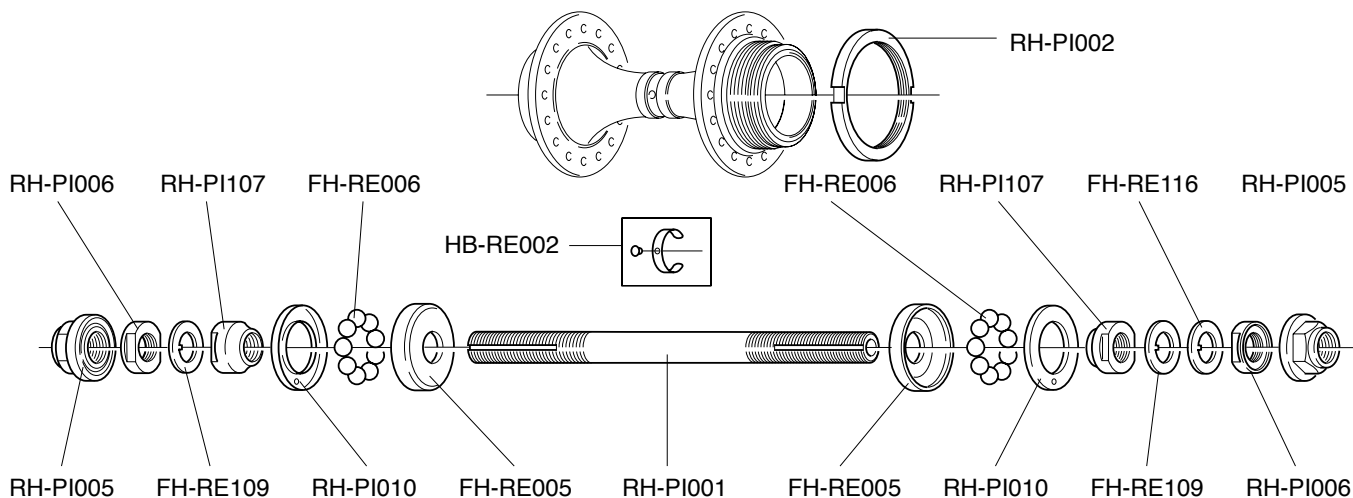


# FRONT HUB

**RECORD™**  
**PISTA™**  
**HB02-REPI..**

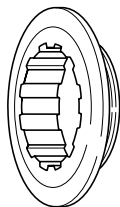


**RECORD™**  
**PISTA™**  
**FH02-REPI..**



**REAR HUB**

**ECROUS  
VERSCHLUSSRING**



**GHIERE  
LOCKRINGS**

CODE CODICE	TYPE TIPO	RANGE GAMMA	HUB COMPATIBILITY COMPATIBILITÀ MOZZI	
CS-401	<i>9s / 10s</i> "oversize" thread/fil.: 27 x 1	steel / acciaio	2000 e succ. <b>2000 and following</b>	<b>all groups / tutti i gruppi</b> all wheels / tutte le ruote
			1999	<b>RECORD™ - CHORUS™</b> all wheels / tutte le ruote
CS-501	<i>9s / 10s</i> "oversize" thread/fil.: 27 x 1	steel / acciaio (for Z. 11)	2000 e succ. <b>2000 and following</b>	<b>all groups / tutti i gruppi</b> all wheels / tutte le ruote
			1999	<b>RECORD™ - CHORUS™</b> all wheels / tutte le ruote
CS-101T	<i>9s / 10s</i> "oversize" thread/fil.: 27 x 1	titanium / titanio	2000 e succ. <b>2000 and following</b>	<b>all groups / tutti i gruppi</b> all wheels / tutte le ruote
			1999	<b>RECORD™ - CHORUS™</b> all wheels / tutte le ruote
CS-201	<i>9s</i> thread/fil.: 26 x 1	steel / acciaio	1999	<b>ATHENA™ - VELOCE™ - MIRAGE™</b>
			1998 / 1997	<b>9s groups / gruppi 9s</b> 9s wheels / ruote 9s
CS-001T	<i>9s</i> thread/fil.: 26 x 1	titanium / titanio	1999	<b>ATHENA - VELOCE™ - MIRAGE™</b>
			1998 / 1997	<b>9s groups / gruppi 9s</b> 9s wheels / ruote 9s '97 8s aluminum FW body / corpetto RL in alluminio 8s '97
CS-001V	<i>8s</i> thread/fil.: 29 x 1	steel / acciaio	1999 e prec. <b>1999 and previous</b>	<b>all 8s hubs (with steel FW body)</b> <b>tutti i mozzi 8s (con corpetto RL in acciaio)</b>
CS-701	for sprockets/ per pignoni <b>HG 10s</b> thread/fil.: 27 x 1	steel / acciaio	2006	all Campagnolo® wheels with HG 10 type FW body / tutte le ruote Campagnolo® con corpetto RL tipo HG 10
CS-801	for sprockets/ per pignoni <b>HG 10s</b> thread/fil.: 27 x 1	steel / acciaio (for Z. 11)	2006	all Campagnolo® wheels with HG 10 type FW body / tutte le ruote Campagnolo® con corpetto RL tipo HG 10

**RECORD™**  
**UD™ 10s**  
**CSK00-RE10..**

\* pre-assembled

**DISTANZIALI / SPACERS**

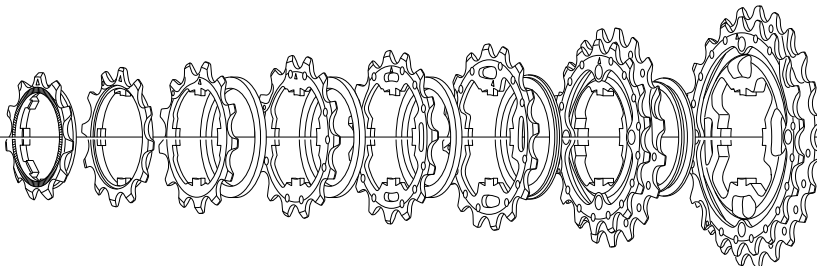
F = CS-601 (2,4 mm)

G = CS-602 (2,55 mm)

H = CS-603 (4,8 mm)

L = CS-605 (3,9 mm)

R = CS-611 (3,1 mm)



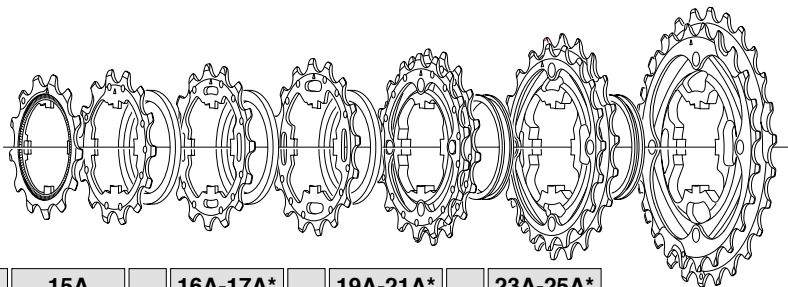
11 - 21	11A-1° 9S-011	12A-2° 10S-022		13A 10S-131	F	14A 10S-141	F	15A 10S-151	F	16A 10S-161	G	17A-18C* 10S-78CT	H	19C-21C* 10S-91CT
11 - 23	11A-1° 9S-011	12A-2° 10S-022		13A 10S-131	F	14A 10S-141	F	15A 10S-151	F	16A 10S-161	G	17A-19A* 10S-79AT	H	21A-23A* 10S-13AT
11 - 25	11A-1° 10S-011	12A-2° 10S-022		13A 10S-131	F	14A 10S-141	F	15A 10S-151	F	17G 10S-177	R	19G-21G* 10S-91GT	L	23G-25G* 10S-35GT
12 - 23	12A-1° 10S-012	13A 10S-131	F	14A 10S-141	F	15A 10S-151	F	16A 10S-161	F	17A 10S-171	G	18A-19A* 10S-89AT	H	21A-23A* 10S-113AT

**DISTANZIALI / SPACERS**

F = CS-601 (2,4 mm)

I = CS-604 (5 mm)

L = CS-605 (3,9 mm)



12 - 25	12A-1° 10S-012	13A 10S-131	F	14A 10S-141	F	15A 10S-151	F	16A-17A* 10S-67A	I	19A-21A* 10S-91AT	L	23A-25A* 10S-35AT
13 - 26	13A-1° 10S-013	14A 10S-141	F	15A 10S-151	F	16A 10S-161	F	17A-18C* 10S-78C	I	19C-21C* 10S-91CT	L	23C-26C* 10S-36CT
13 - 29	13A-1° 10S-013	14A 10S-141	F	15A 10S-151	F	16A 10S-161	F	17A-19A* 10S-79A	I	21A-23A* 10S-13AT	L	26A-29A* 10S-69AT

**RECORD™ UD™**  
**TITANIUM 10s**  
**CSK00-RE10..T**

**DISTANZIALI / SPACERS**

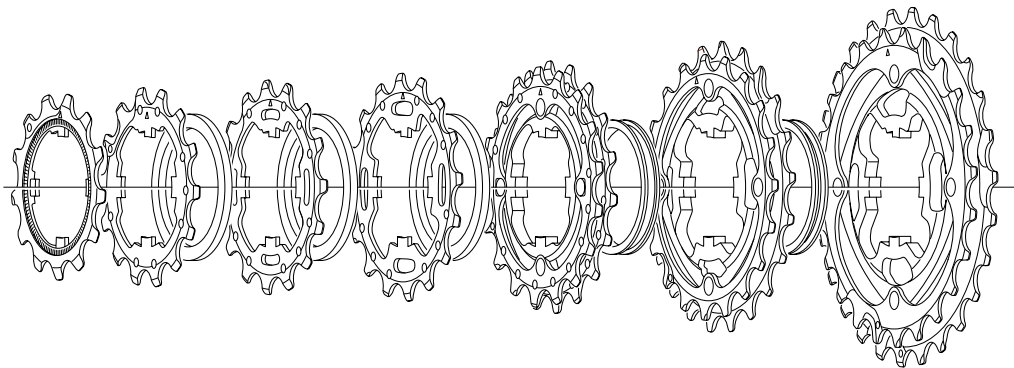
**F** = CS-601 (2,4 mm)

**G** = CS-602 (2,55 mm)

**H** = CS-603 (4,8 mm)

**I** = CS-604 (5 mm)

**L** = CS-605 (3,9 mm)



11 - 23	11A-1° 9S-011	12A-2° 10S-022T		13A 10S-131T	F	14A 10S-141T	F	15A 10S-151T	F	16A 10S-161T	G	17A-19A* 10S-79AT	H	21A-23A* 10S-13AT
12 - 25	12A-1° 10S-012T	13A 10S-131T	F	14A 10S-141T	F	15A 10S-151T	F	16A-17A* 10S-67AT	I	19A-21A* 10S-91AT	L	23A-25A* 10S-35AT		
13 - 26	13A-1° 10S-013T	14A 10S-141T	F	15A 10S-151T	F	16A 10S-161T	F	17A-18C* 10S-78CT	I	19C-21C* 10S-91CT	L	23C-26C* 10S-36CT		

\* pre-assembled

**CHORUS™**  
**UD™ 10s**  
**CSK00-CH10..**

**DISTANZIALI / SPACERS**

**F** = CS-601 (2,4 mm)

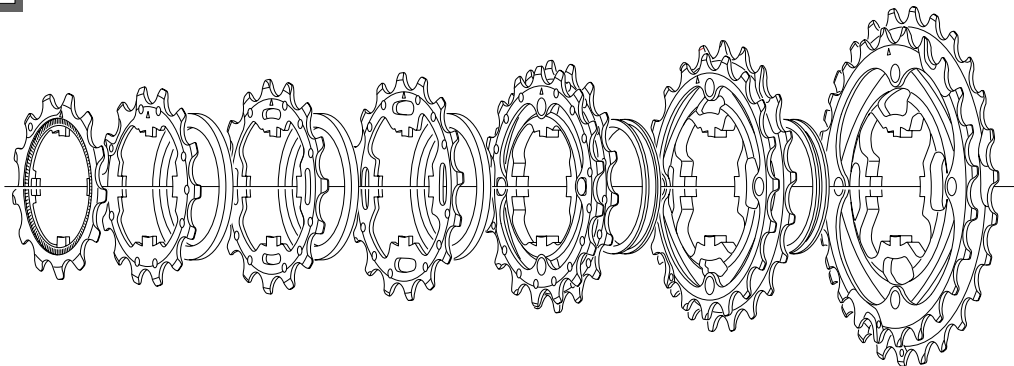
**G** = CS-602 (2,55 mm)

**H** = CS-603 (4,8 mm)

**I** = CS-604 (5 mm)

**L** = CS-605 (3,9 mm)

**R** = CS-611 (3,1 mm)



11 - 23	11A-1° 9S-011	12A-2° 10S-022		13A 10S-131	F	14A 10S-141	F	15A 10S-151	F	16A 10S-161	G	17A-19A* 10S-79A	H	21A-23A* 10S-13A
11 - 25	11A-1° 10S-011	12A-2° 10S-022		13A 10S-131	F	14A 10S-141	F	15AA 10S-151	F	17G 10S-177	R	19G-21G* 10S-91G	L	23G-25G* 10S-35G
12 - 25	12A-1° 10S-012	13A 10S-131	F	14A 10S-141	F	15A 10S-151	F	16A-17A* 10S-67A	I	19A-21A* 10S-91A	L	23A-25A* 10S-35A		
13 - 26	13A-1° 10S-013	14A 10S-141	F	15A 10S-151	F	16A 10S-161	F	17A-18C* 10S-78C	I	19C-21C* 10S-91C	L	23C-26C* 10S-36C		
13 - 29	13A-1° 10S-013	14A 10S-141	F	15A 10S-151	F	16A 10S-161	F	17A-19A* 10S-79A	I	21A-23A* 10S-13A	L	26A-29A* 10S-69A		

\* pre-assembled



**CENTAUR™**  
**UD™ 10s**  
**CS4-CEX..**

**DISTANZIALI / SPACERS**

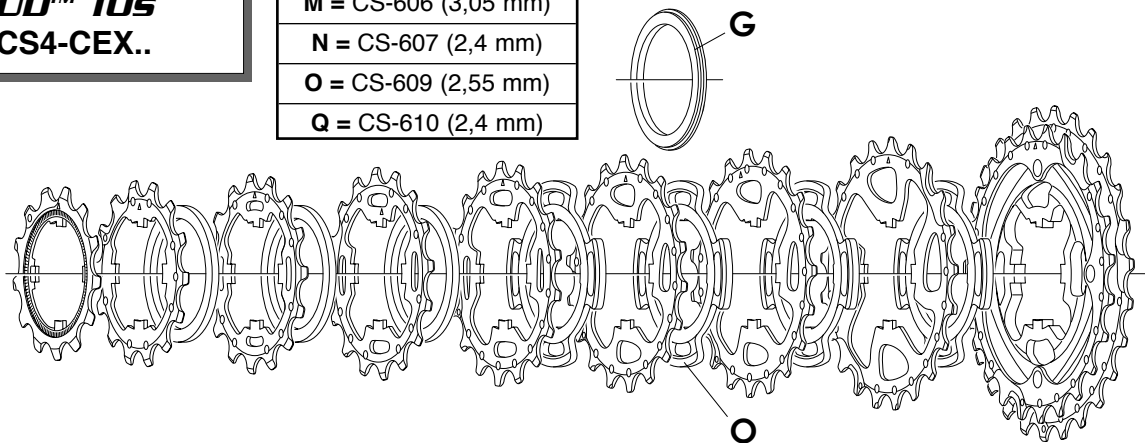
**G** = CS-602 (2,55 mm)

**M** = CS-606 (3,05 mm)

**N** = CS-607 (2,4 mm)

**O** = CS-609 (2,55 mm)

**Q** = CS-610 (2,4 mm)



11 -23	11A-1° 9S-011	12A-2° 10S-022		13A 10S-131	Q	14A 10S-141	Q	15A 10S-151	Q	16A 10S-161	G	17A 10S-171	N	19A 10S-191	M	21A-23A* 10S-13A
11 -25	11A-1° 10S-011	12A-2° 10S-022		13A 10S-131	Q	14A 10S-141	Q	15A 10S-151	Q	17G 10S-277	O	19GG 10S-197	N	21G 10S-217	M	23G-25G* 10S-35G
12 - 25	12A-1° 10S-032	13A 10S-131	Q	14A 10S-141	Q	15A 10S-151	Q	16A 10S-161	Q	17A 10S-171	O	19A 10S-191	N	21A 10S-211	M	23A-25A* 10S-35A
13 - 26	13A-1° 10S-023	14A 10S-141	Q	15A 10S-151	Q	16A 10S-161	Q	17A 10S-171	N	18C 10S-183	O	19C 10S-193	N	21C 10S-213	M	23C-26C* 10S-36C
13 - 29	13A-1° 10S-023	14A 10S-141	Q	15A 10S-151	Q	16A 10S-161	Q	17A 10S-171	N	19A 10S-191	O	21A 10S-211	N	23A 10S-231	M	26A-29A* 10S-69A

\* pre-assembled

**VELOCE™ UD™**  
**10s**  
**CS4-VLX..**

**DISTANZIALI / SPACERS**

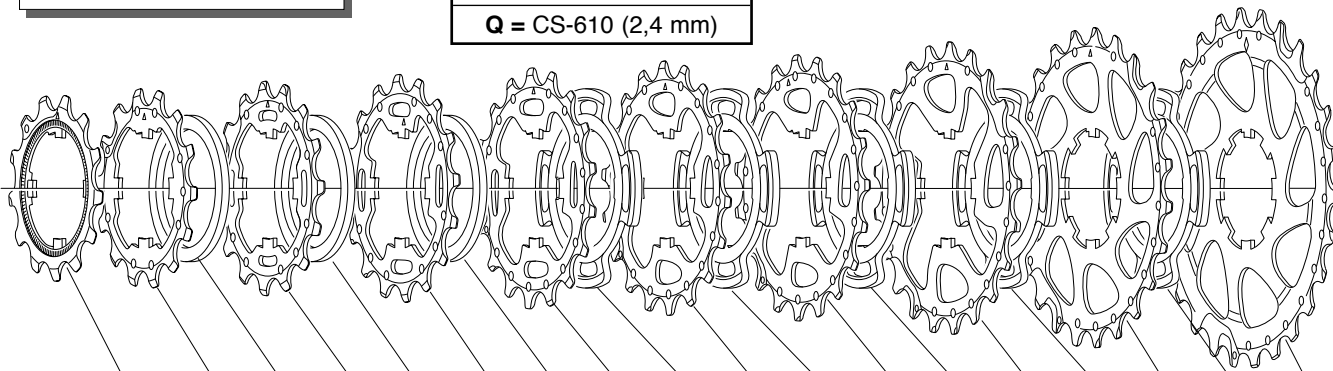
**N** = CS-607 (2,4 mm)

**O** = CS-609 (2,55 mm)

**P** = CS-608 (1,6 mm)

**Q** = CS-610 (2,4 mm)

**MIRAGE UD 10s compatible**



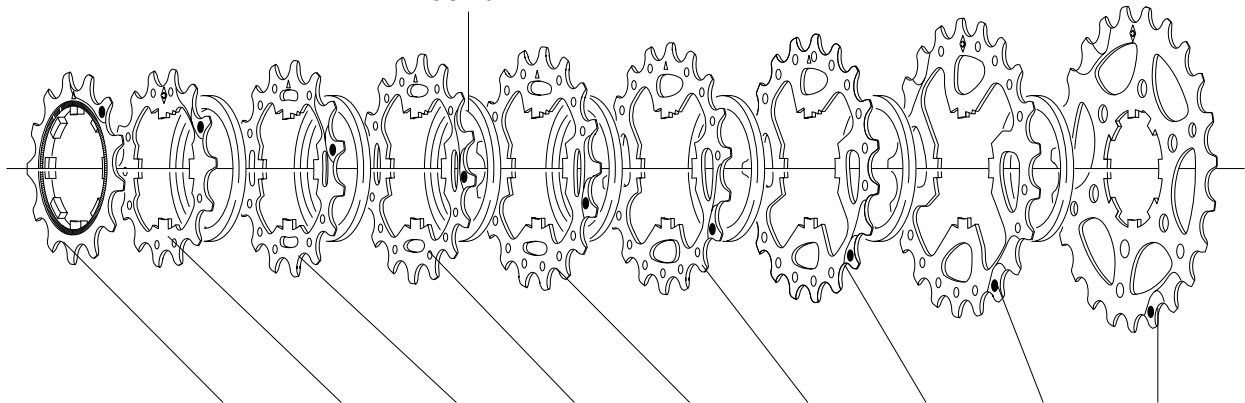
<b>11 - 25</b>	<b>11A-1°</b> 10S-011	<b>12A-2°</b> 10S-022		<b>13A</b> 10S-131	<b>Q</b>	<b>14A</b> 10S-141	<b>Q</b>	<b>15A</b> 10S-151	<b>Q</b>	<b>17G</b> 10S-277	<b>O</b>	<b>19G</b> 10S-197	<b>N</b>	<b>21G</b> 10S-217	<b>N</b>	<b>23G</b> 10S-237	<b>P</b>	<b>25G</b> 10S-237
<b>12 - 23</b>	<b>12A-1°</b> 10S-032	<b>13A</b> 10S-131	<b>Q</b>	<b>14A</b> 10S-141	<b>Q</b>	<b>15A</b> 10S-151	<b>Q</b>	<b>16A</b> 10S-161	<b>N</b>	<b>17A</b> 10S-171	<b>O</b>	<b>18C</b> 10S-183	<b>N</b>	<b>19C</b> 10S-193	<b>N</b>	<b>21C</b> 10S-213	<b>P</b>	<b>23C</b> 10S-233
<b>12 - 25</b>	<b>12A-1°</b> 10S-032	<b>13A</b> 10S-131	<b>Q</b>	<b>14A</b> 10S-141	<b>Q</b>	<b>15A</b> 10S-151	<b>Q</b>	<b>16A</b> 10S-161	<b>N</b>	<b>17A</b> 10S-171	<b>O</b>	<b>19A</b> 10S-191	<b>N</b>	<b>21A</b> 10S-211	<b>N</b>	<b>23A</b> 10S-231	<b>P</b>	<b>25A</b> 10S-251
<b>13 - 26</b>	<b>13A-1°</b> 10S-023	<b>14A</b> 10S-141	<b>Q</b>	<b>15A</b> 10S-151	<b>Q</b>	<b>16A</b> 10S-161	<b>Q</b>	<b>17A</b> 10S-171	<b>N</b>	<b>18C</b> 10S-183	<b>O</b>	<b>19C</b> 10S-193	<b>N</b>	<b>21C</b> 10S-213	<b>N</b>	<b>23C</b> 10S-333	<b>P</b>	<b>26C</b> 10S-263
<b>13 - 29</b>	<b>13A-1°</b> 10S-023	<b>14A</b> 10S-141	<b>Q</b>	<b>15A</b> 10S-151	<b>Q</b>	<b>16A</b> 10S-161	<b>Q</b>	<b>17A</b> 10S-171	<b>N</b>	<b>19A</b> 10S-191	<b>O</b>	<b>21A</b> 10S-211	<b>N</b>	<b>23A</b> 10S-231	<b>N</b>	<b>26A</b> 10S-261	<b>P</b>	<b>29A</b> 10S-291
<b>14 - 23</b>	<b>14A-1°</b> 10S-014	<b>15A</b> 10S-151	<b>Q</b>	<b>16A</b> 10S-161	<b>Q</b>	<b>17A</b> 10S-171	<b>Q</b>	<b>18C</b> 10S-183	<b>N</b>	<b>19C</b> 10S-193	<b>O</b>	<b>20D</b> 10S-204	<b>N</b>	<b>21D</b> 10S-214	<b>N</b>	<b>22D</b> 10S-224	<b>P</b>	<b>23D</b> 10S-234

**SPROCKETS**

**VELOCE™ UD 9s**  
CS01-EC09..

**MIRAGE UD 9s compatible**

CS-102



12 - 23	<b>12A-1°</b> 9S-113	<b>13A</b> 9S-131	<b>14A</b> 9S-141	<b>15A</b> 9S-151	<b>16A</b> 9S-161	<b>17A</b> 9S-171	<b>19A</b> 9S-191	<b>21A</b> 9S-211	<b>23A</b> 9S-231
13 - 23	<b>13A-1°</b> 9S-114	<b>14A</b> 9S-141	<b>15A</b> 9S-151	<b>16A</b> 9S-161	<b>17A</b> 9S-171	<b>18C</b> 9S-183	<b>19C</b> 9S-193	<b>21C</b> 9S-213	<b>23C</b> 9S-233
13 - 26	<b>13A-1°</b> 9S-114	<b>14A</b> 9S-141	<b>15A</b> 9S-151	<b>16A</b> 9S-161	<b>17A</b> 9S-171	<b>19A</b> 9S-191	<b>21A</b> 9S-211	<b>23A</b> 9S-231	<b>26A</b> 9S-261
13 - 28	<b>13B-1°</b> 9S-015	<b>14B</b> 9S-142	<b>15B</b> 9S-152	<b>17B</b> 9S-172	<b>19A</b> 9S-191	<b>21A</b> 9S-211	<b>23A</b> 9S-231	<b>25A</b> 9S-251	<b>28A</b> 9S-281
14 - 28	<b>14A-1°</b> 9S-016	<b>15A</b> 9S-151	<b>16A</b> 9S-161	<b>17A</b> 9S-171	<b>19A</b> 9S-191	<b>21A</b> 9S-211	<b>23A</b> 9S-231	<b>25A</b> 9S-251	<b>28A</b> 9S-281

**RECORD™**  
**PRO-FIT PLUS™**  
PD01-RE

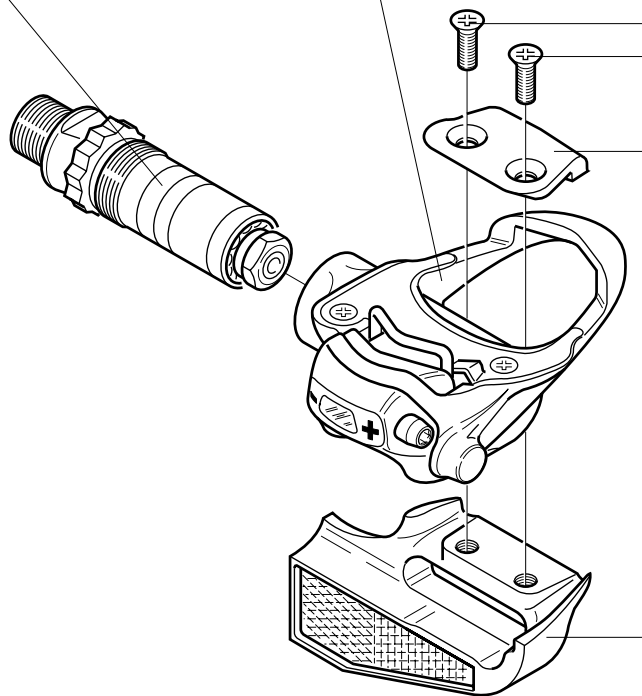
**CHORUS™**  
**PRO-FIT PLUS™**  
PD01-CH

<b>RECORD™</b>	R	PD-RE303
	L	PD-RE304

<b>CHORUS™</b>	R	PD-CH303
	L	PD-CH304

<b>RECORD™</b>	R	PD-RE301
	L	PD-RE302

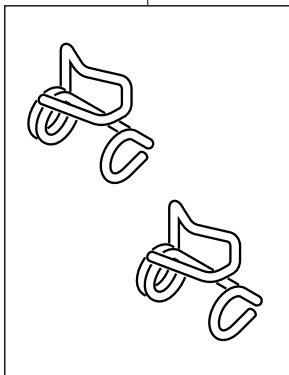
<b>CHORUS™</b>	R	PD-CH301
	L	PD-CH302



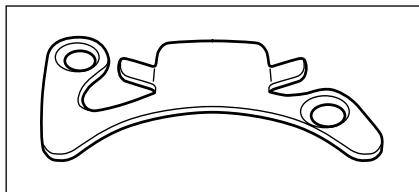
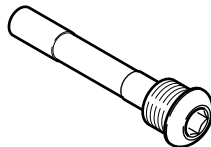
PD-RE108  
(2 pcs.)

**PRO-FIT™ /  
PRO-FIT PLUS™  
SPARE PARTS**

R + L: PD-RE105

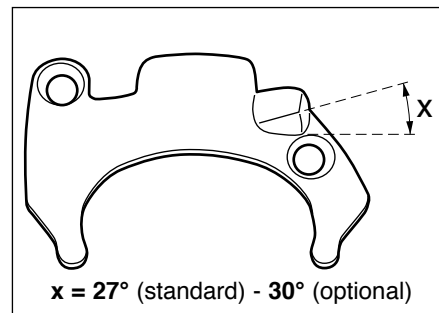
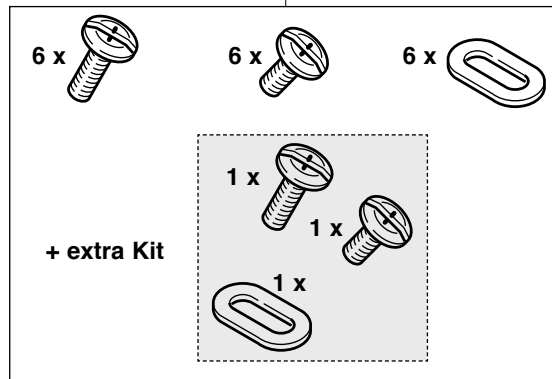


PD-RE107



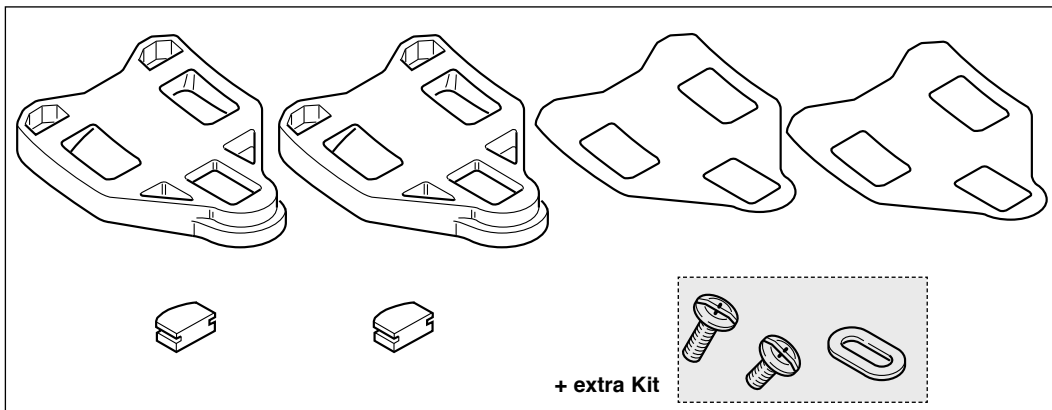
**PRO-FIT™  
PD-RE111**

PD-RE116



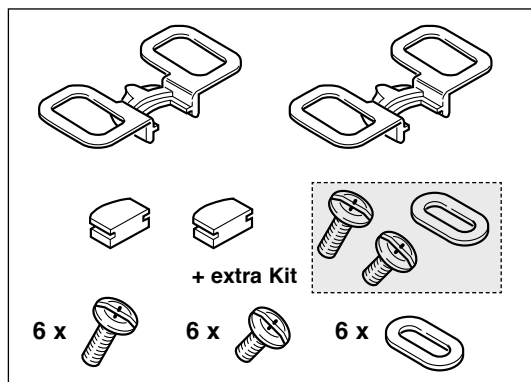
**PRO-FIT PLUS™**  
PD-RE110: standard - 27°  
PD-RE109: HRE - optional - 30°

**PRO-FIT™ /  
PRO-FIT PLUS™  
SPARE PARTS**



**FLOATING CLEATS  
PD-RE020**

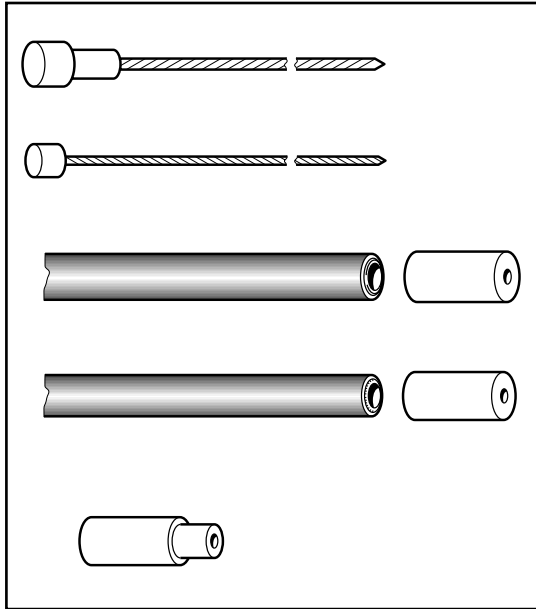
**FIXED CLEATS  
PD-RE021**



**PD-RE020**

# CABLES & CASINGS








## complete sets



<p><b>ERGOPOWER™ CONTROL LEVERS</b></p>	<p>CG-ER500 *</p> <p>CG-ER201BP (240 pcs. / pz.)</p>	
<p><b>TRADITIONAL</b></p>	<p><b>Brakes</b></p>	<p>CG-BR201</p>
	<p><b>Derailleurs</b></p>	<p>CG-DD101</p>

\* incl. brake housing ferrules / incl. capi guaina

## CABLES & CASINGS SPARE PARTS

		FRONT	REAR	
<b>BRAKES</b>		Ø 1,6 mm L. 800 mm <b>CG-CB003</b>	Ø 1,6 mm L. 1600 mm <b>10-CG-CB013</b> (10 pcs.) - <b>50-CG-CB013</b> (50 pcs.)	
		Ø 5 mm L. 580 mm <b>CG-CS014</b>	Ø 5 mm L. 1250 mm <b>CG-CS002</b>	
		Ø 6 mm <b>CG-CS011</b> (not sealed / senza guarnizione)		
<b>DERAILLEURS</b>	 Ø 1,2 mm	ERGOPOWER	L. 1600	<b>CG-CB014</b>
		ERGOPOWER	L. 2000	<b>10-CG-CB009</b> (10 pcs.) - <b>50-CG-CB009</b> (50 pcs.)
		SHIFTING LEVERS	L. 830	<b>CG-CB011</b>
		SHIFTING LEVERS	L. 1600	<b>CG-CB014</b>
	 Ø 4,5 mm	ERGOPOWER	L. 680	<b>CG-CS015</b>
		ERGOPOWER	L. 330	<b>CG-CS008</b>
		Ø 5,7 mm <b>CG-CS012</b> (sealed / con guarnizione)		
		Ø 5,7/4 mm <b>CG-CS013</b> (sealed / con guarnizione)		



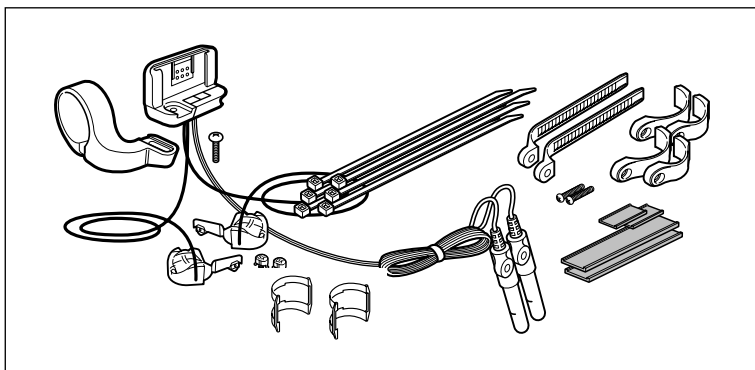
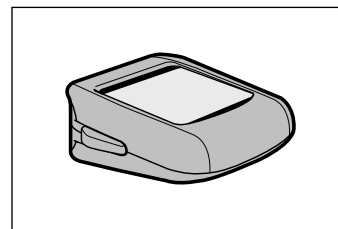
**ErgoBrain10™**

**MAIN UNIT / SOLO COMPUTER**

**ErgoBrain10™**

**CI03-EB10C3**

(triple compatible)

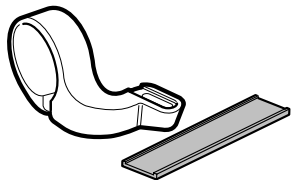


**ASSEMBLY KIT /  
KIT D'INSTALLAZIONE**

**ErgoBrain10™**

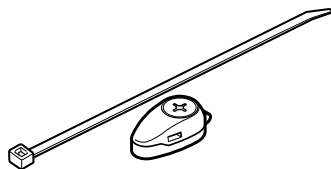
**CI00-EB10B2**

(for 10s drivetrain / per trasmissione 10s)



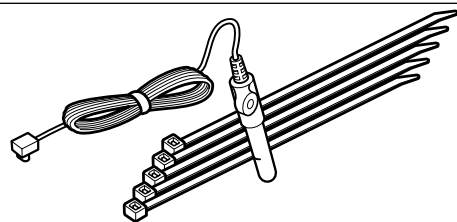
31,7 mm arm / fascetta 31,7 mm

**CI-EB001**



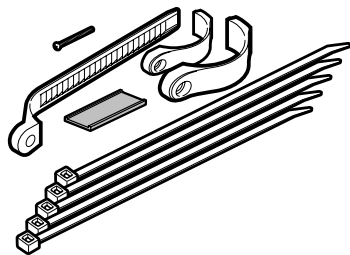
CDC magnet / magnete cadenza

**CI-EB003**



CDC sensor / sensore cadenza

**CI-EB006**



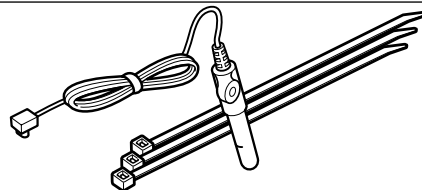
Sensor attachment / fascetta sensori

**CI-EB002**



CDC PRO-FIT pedal magnet /  
magnete cadenza pedale PRO-FIT

**CI-EB004**



SPD sensor / sensore velocità

**CI-EB007**



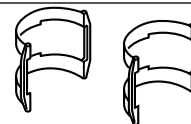
push buttons / copripulsanti

**CI-EB009**



SPD magnet / magnete velocità

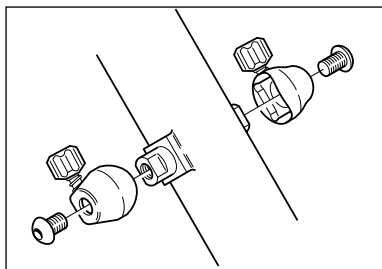
**CI-EB008**



spacers / distanziali

**CI-EB010**

**ERGOPOWER™  
ERGOPOWER™ FB  
CASING RETAINER CLAMPS**



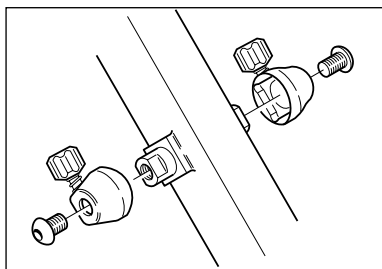
FOR ROUND DOWN TUBE

Aluminum:

**EC-RE001 (1 pc) - 25-EC-RE001 (25 pcs)**

Resin:

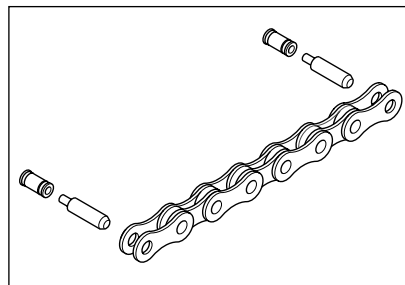
**EC-AT001 (1 pc) - 25-EC-AT001 (25 pcs)**



FOR FLAT DOWN TUBE

Aluminum:

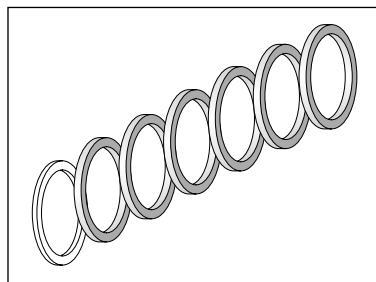
**EC-RE002 (1 pc) - 25-EC-RE002 (25 pcs)**



**CN-RE400**

***HD-Link™ Ultra Narrow™* (5,9 mm)**

for C10™ Ultra Narrow™ chains



**KIT-03**

Transforms a Veloce™ 9s sprocket set into a 8s cassette.

**Only for 9s/10s hub/wheels.**

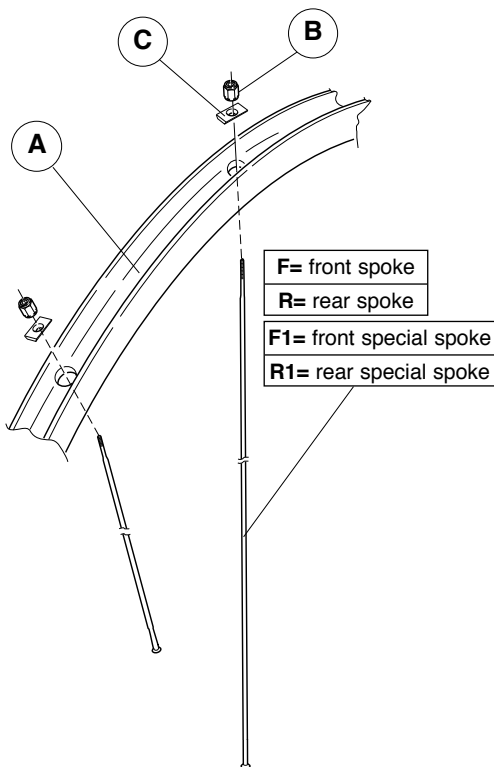


**WB-100**

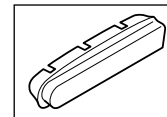
Bag for 1 wheel.

RD-RE700	rotelline cambio 10s (8,4 mm)	10s (8,4 mm) rear derailleur pulleys	jeu de galets dérail. arr. 10s (8,4 mm)
RD-RE600	rotelline cambio 9s (8,8 mm)	9s (8,8 mm) rear derailleur pulleys	jeu de galets dérail. arr. 9s (8,8 mm)
RD-RE500	rotelline cambio 8s (9,8 mm)	8s (9,8 mm) rear derailleur pulleys	jeu de galets dérail. arr. 8s (9,8 mm)
EC-RE600	coprisupporti EP dx + sx "new style"	right + left EP rubber hoods (new style)	repose-main EP droit + gauche "new style"
EC-RE500	coprisupporti EP dx + sx "old style"	right + left EP rubber hoods (old style)	repose-main EP droit + gauche "old style"
EC-CE500	coprisupporti EP ESCAPE™ dx + sx	right + left EP ESCAPE™ rubber hoods	repose-main EP ESCAPE™ droit + gauche
BR-RE701	pattini freno per HYPERON™ e BORA™ tub. per caliper Campagnolo®	brake pads for HYPERON™ and BORA™ 2003 tub. for Campagnolo® caliper brakes	patins de frein HYPERON™ et BORA™ 2003 boyaux pour caliper Campagnolo®
BR-RE702	pattini freno per HYPERON™ copertoncino per freni caliper Campagnolo®	brake pads for HYPERON™ clincher for Campagnolo® caliper brakes	patins de frein HYPERON™ pnéus étroits pour freins caliper Campagnolo®
BR-701X	pattini freno per HYPERON™ e BORA™ tubolare per freni Dura-Ace	brake pads for HYPERON™ and BORA™ 2003 tubular for Dura-Ace brakes	patins de frein HYPERON™ et BORA™ 2003 boyaux pour freins Dura-Ace
BR-702X	pattini freno per HYPERON™ copertoncino per freni Dura-Ace	brake pads for HYPERON™ clincher for Dura-Ace brakes	patins de frein HYPERON™ pnéus étroits pour freins Dura-Ace
BR-RE700	pattini freno per freni caliper	brake pads for caliper brakes	patins de frein pour freins caliper
BR-RE600	pattini freno per freni caliper	brake pads for caliper brakes	patins de frein pour freins caliper
BR-VL500	pattini freno per freni Linear Pull Cantilever	brake pads for Linear Pull Cantilever brakes	patins de frein pour freins Linear Pull Cantilever
BR-VL600	pattini freno compl. per freni caliper	compl. brake pads for caliper brakes	patins de frein compl. pour freins caliper
BR-MI600	pattini freno compl. per freni caliper	compl. brake pads for caliper brakes	patins de frein compl. pour freins caliper
BL-RE500	coprisupporti tradizionali dx + sx (gamma 2000 e prec.)	r + l traditional rubber hoods (2000 range and prev.)	repose-main trad. droit + gauche (gamme 2000 et préc.)
PD-RE020	tacchette pedali (con gioco)	self-aligning pedal cleats	plaques avec jeu pour pédales
PD-RE021	tacchette pedali (senza gioco)	fixed pedal cleats	plaques sans jeu pour pédales
PD-RE200	denti d'aggancio pedali + viti	pedal engaging hooks + screws	dispositifs d'accrochage pédales + vis
PD-RE116	viti fissaggio tacchette pedali	pedal cleats fixing screws	vis fixation plaques pédales
CG-ER500	cavi e guaine EP (con capi-guaina)	EP cables/casings (with brake housing ferrules)	câbles et gaines EP (avec butée de gaines)
CN-RE400	HD-LINK™ per catene C10™ Ultra Narrow™ (5,9 mm)	HD-LINK™ for C10™ Ultra Narrow™ (5,9 mm) chains	HD-LINK™ pour chaîne C10™ Ultra Narrow™ (5,9 mm)

## **HYPERON™ ULTRA™ clincher**



COMPLETE WHEELS	RIM (A)	SPOKE MINI-KIT
<b>FRONT</b>		
WH6-HYCFU clincher 28"	WH-103HYU	<b>KIT-400HYU</b> (1F+1F1+1R right+1R1 right+1R1 left+1R1 left+2C front+2C rear+6B)
<b>REAR</b>		
WH6-HYCRU WH6-HYCRXU clincher 28"	WH-104HYU	



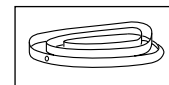
### **SPECIAL BRAKE PADS:** BR-RE702

(Campagnolo® brakes)

BR-702X

(Dura-Ace brakes of Shimano Inc.)

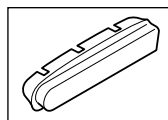
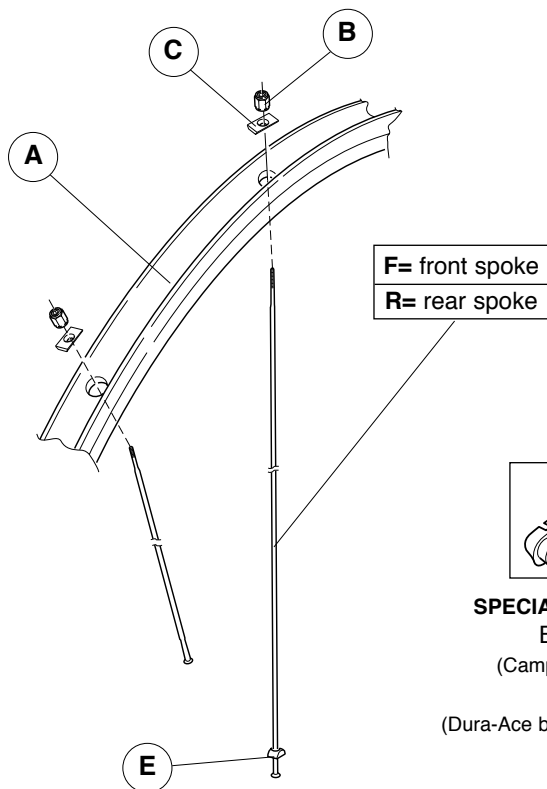
<b>Compl. SPOKE KIT</b>			
FRONT COMPLETE	REAR COMPLETE	REAR RIGHT COMPLETE	
<b>KIT-13HYU</b> (21F+2F1+23C+23B)	<b>KIT-14HYU</b> (12R right+1R1 right+ 12R left+1R1 left+26C+26B)	<b>KIT-14HYUR</b> (12R right+1R1 right+13C+13B)	
SPECIAL SPOKES	F1 + B	R1 right + B	R1 left + B
	L. 292 mm WH-205HYC (1 pc.)	L. 289 mm WH-206HYC (1 pc.)	L. 291 mm WH-207HYC (1 pc.)
B	C front	C rear	
10-WH-010BO (10 pcs.)	10-WH-011HY (10 pcs.)	10-WH-012HY (10 pcs.)	



### **RIM TAPE 16 mm:** WH-RT02

**COMPLETE LABEL KIT (front+rear): LAB-HYUC06**

**HYPERON™  
ULTRA™  
tubular**

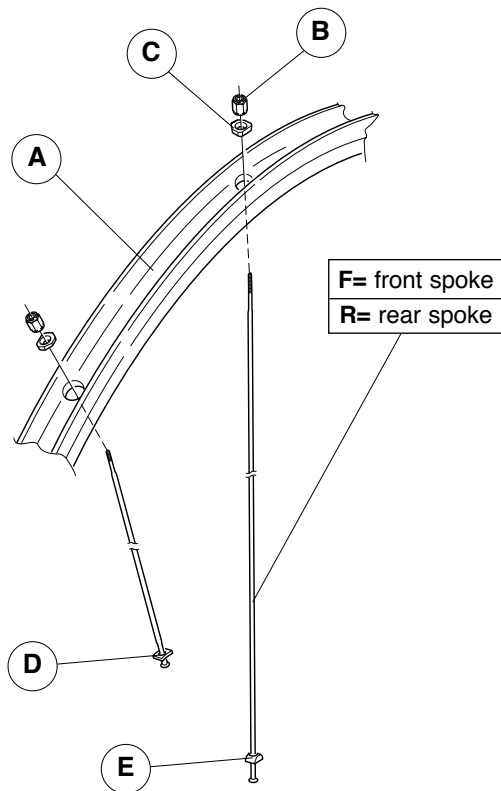


**SPECIAL BRAKE PADS:**  
BR-RE701  
(Campagnolo® brakes)  
BR-701X  
(Dura-Ace brakes of Shimano Inc.)

COMPLETE WHEELS	RIM (A)	SPOKE MINI-KIT
<b>FRONT</b>		
<b>WH7-HYTF</b> tubular 28"	<b>WH-101HY</b>	<b>KIT-100HY</b> (2F+2R right +2R left+6C +6B+2E)
<b>REAR</b>		
<b>WH7-HYTR</b> <b>WH7-HYTRX</b> tubular 28"	<b>WH-102HY</b>	
<b>Compl. SPOKE KIT</b>		
<b>FRONT COMPLETE</b>	<b>REAR COMPLETE</b>	<b>REAR RIGHT COMPLETE</b>
<b>KIT-01HY</b> (24F+24C+24B)	<b>KIT-02HY</b> (13R right+13R left+26C+26B+13E)	<b>KIT-02HYR</b> (13R right+ 13C+13B+13E)
<b>B</b>	<b>C</b>	
10-WH-010BO (10 pcs.)	10-WH-011HY (10 pcs.)	

**COMPLETE LABEL KIT (front+rear): LAB-HYT07**

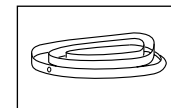
## NEUTRON™ clincher



COMPLETE WHEELS	A	MINI-KIT
<b>FRONT</b>		<b>KIT-300NE</b> (2F+2R right +2R left+6C +6B+4D+2E)
WH7-NECF clincher 28"	WH-303NE	
<b>REAR</b>		
WH7-NECR WH7-NECRX clincher 28"	WH-304NE	

Compl. SPOKE KIT		
FRONT COMPLETE	REAR COMPLETE	REAR RIGHT COMPLETE
<b>KIT-23NE</b> (24F+24C+24B+24D)	<b>KIT-24NE</b> (13R right+13R left +26C+26B+13D+13E)	<b>KIT-24NER</b> (13R right+13C+13B+13E)

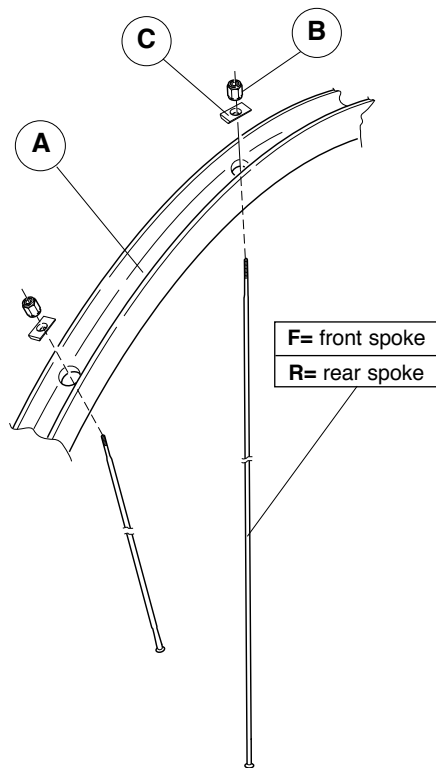
B	C
10-WH-010BO (10 pcs.)	10-WH-011EU (10 pcs.)



RIM TAPE 18 mm:  
WH-RT01

**COMPLETE LABEL KIT (front+rear): LAB-NEC07**

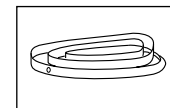
**NEUTRON™**  
**ULTRA™**  
*clincher*



COMPLETE WHEELS	A	MINI-KIT
<b>FRONT</b>		
WH7-NECFC clincher 28"	WH-403NE	<b>KIT-500NE</b> (2F+2R right +2R left+6C +6B)
<b>REAR</b>		
WH7-NECRC WH7-NECRXC clincher 28"	WH-404NE	

Compl. SPOKE KIT		
FRONT COMPLETE	REAR COMPLETE	REAR RIGHT COMPLETE
<b>KIT-33NE</b> (24F+24C+24B)	<b>KIT-34NE</b> (13R right+13R left +26C+26B)	<b>KIT-34NER</b> (13R right+13C+13B)

B	C
10-WH-010BO (10 pcs.)	10-WH-011EU (10 pcs.)

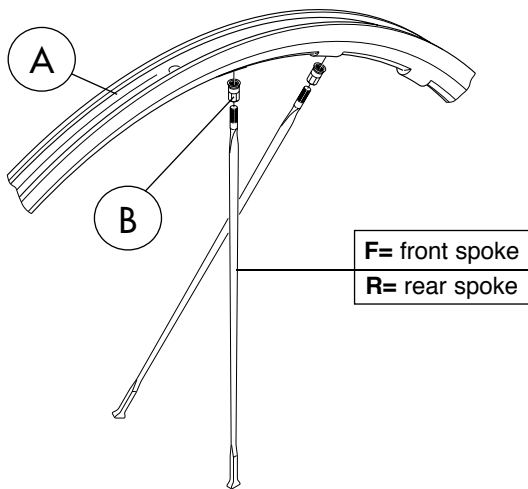


RIM TAPE 18 mm:  
 WH-RT01

**COMPLETE LABEL KIT (front+rear): LAB-NECC07**



## SHAMAL™ ULTRA™ clincher



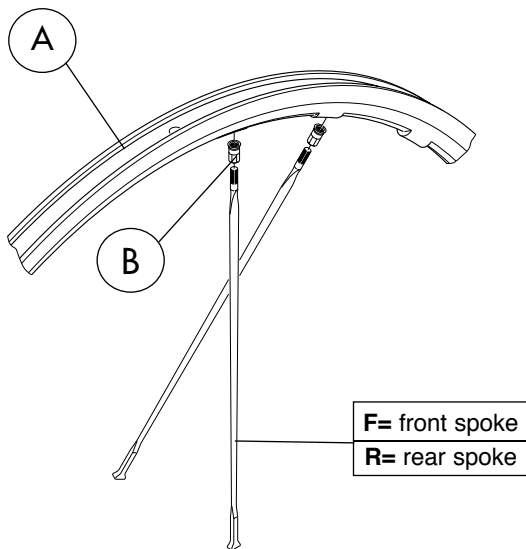
See page 133 for accessories  
Vedi pag. 133 per gli accessori

COMPLETE WHEELS	A	Compl. KIT	B
<b>FRONT</b>			
WH7-SHCF clincher 28"	WH-003SH	KIT-03SH (16F)	WH-N10SH (10 pcs.)
<b>REAR</b>			
WH7-SHCR WH7-SHCRX clincher 28"	WH-004SH	KIT-04SH (21R)	

COMPLETE WHEELS	F + B	R right + B	R left + B
WH7-SHCF clincher 28"	L. 278,5 mm WH-005SHC (1F+1B)		
WH7-SHCR WH7-SHCRX clincher 28"		L. 282 mm WH-006SHC (1R right+1B)	L. 275,8 mm WH-007SHC (1R left+1B)

COMPLETE LABEL KIT (front+rear):  
LAB-SHC07

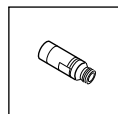
**SHAMAL™  
ULTRA™  
tubular**



See page 133 for accessories  
Vedi pag. 133 per gli accessori

COMPLETE WHEELS	A	Compl. KIT	B
<b>FRONT</b>			
WH7-SHTF tubular 28"	WH-001SH	KIT-03SH (16F)	<b>WH-N10SH</b> (10 pcs.)
<b>REAR</b>			
WH7-SHTR WH7-SHTRX tubular 28"	WH-002SH	KIT-04SH (21R)	

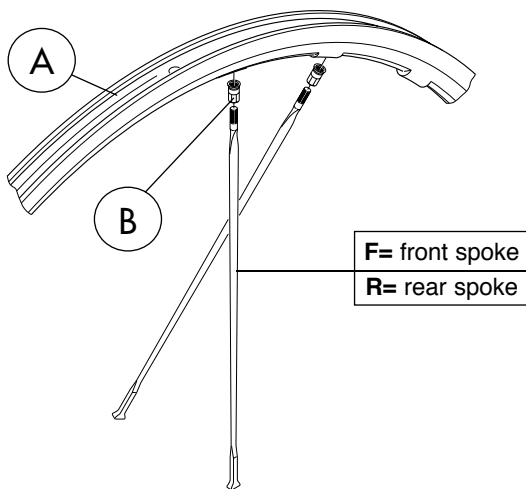
COMPLETE WHEELS	F + B	R right + B	R left + B
WH7-SHTF tubular 28"	L. 278,5 mm WH-005SHC (1F+1B)		
WH7-SHTR WH7-SHTRX tubular 28"		L. 282 mm WH-006SHC (1R right+1B)	L. 275,8 mm WH-007SHC (1R left+1B)



**VALVE ADAPTER  
PROLUNGA PER VALVOLA  
UT-HU110**

**COMPLETE LABEL KIT (front+rear):  
LAB-SHT07**

**EURUS™**  
*clincher*



See page 133 for accessories  
Vedi pag. 133 per gli accessori

COMPLETE WHEELS	A	Compl. KIT	B	
<b>FRONT</b>				
WH6-EUCF BLACK	WH-303EU	KIT-33EU (16F)	<b>WH-N10</b> (10 pcs.)	
WH6-EUCFS SILVER	WH-303EUS	KIT-33EUS (16F)		
<b>REAR</b>				
WH6-EUCR WH6-EUCRX BLACK	WH-304EU	KIT-34EU (21R)		
WH6-EUCRS WH6-EUCRXS SILVER	WH-304EUS	KIT-34EUS (21R)		

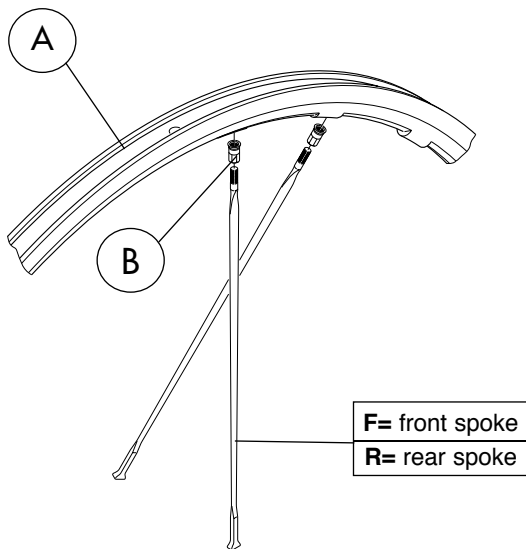
COMPLETE WHEELS	F + B	R right + B	R left + B
WH6-EUCF BLACK	L. 278,5 mm WH-305EUC (1F+1B)		
WH6-EUCFS SILVER	L. 278,5 mm WH-305EUCS (1F+1B)		
WH6-EUCR WH6-EUCRX BLACK		L. 282 mm WH-306EUC (1R right+1B)	L. 276 mm WH-307EUC (1R left+1B)
WH6-EUCRS WH6-EUCRXS SILVER		L. 282 mm WH-306EUCS (1R right+1B)	L. 276 mm WH-307EUCS (1R left+1B)

**COMPLETE LABEL KIT (front+rear)**

**Black: LAB-EUCB06**

**Silver: LAB-EUCS06**

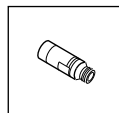
**EURUS™**  
**tubular**



See page 133 for accessories  
Vedi pag. 133 per gli accessori

COMPLETE WHEELS	A	Compl. KIT	B
<b>FRONT</b>			
WH6-EUTF tubular 28"	WH-001EU	KIT-33EUS (16F)	WH-N10 (10 pcs.)
<b>REAR</b>			
WH6-EUTR WH6-EUTRX tubular 28"	WH-002EU	KIT-34EUS (21R)	

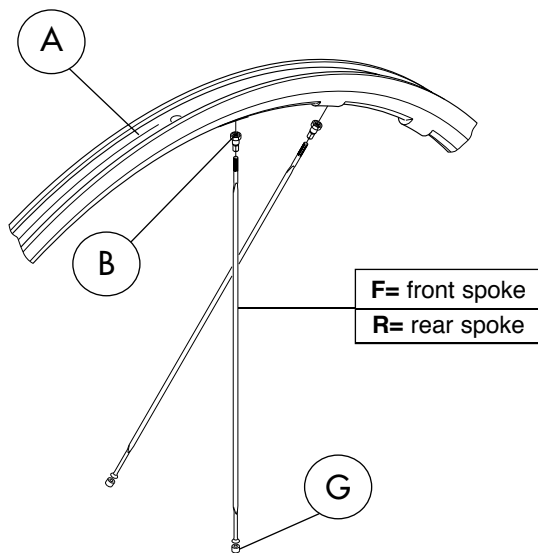
COMPLETE WHEELS	F + B	R right + B	R left + B
WH6-EUTF tubular 28"	L. 278,5 mm WH-305EUCS (1F+1B)		
WH6-EUTR WH6-EUTRX tubular 28"		L. 282 mm WH-306EUCS (1R right+1B)	L. 276 mm WH-307EUCS (1R left+1B)



**VALVE ADAPTER**  
**PROLUNGA PER VALVOLA**  
**UT-HU110**

**COMPLETE LABEL KIT (front+rear):**  
**LAB-EUT06**

**ZONDA™**  
*clincher*



See page 133 for accessories  
Vedi pag. 133 per gli accessori

**COMPLETE LABEL KIT (front+rear):**

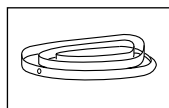
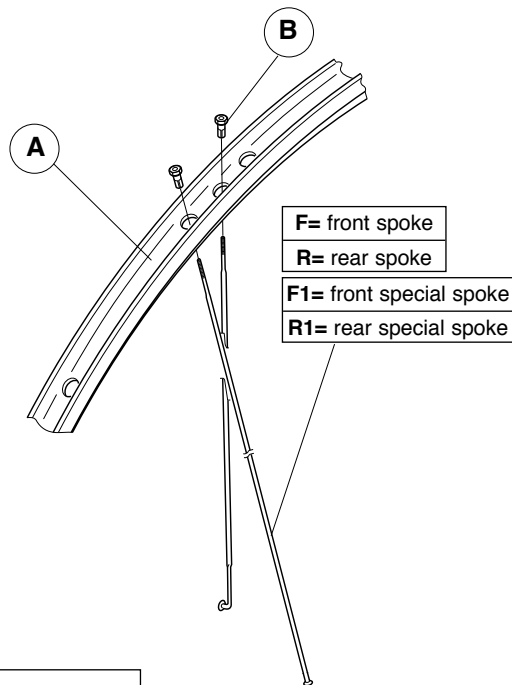
**LAB-ZOCB06 (black)**  
**LAB-ZOCS06 (silver)**

COMPLETE WHEELS	RIM (A)	SPOKE MINI-KIT
<b>FRONT</b>		
WH6-ZOCF clincher 28"	WH-203ZO	<b>BLACK</b> <b>KIT-400ZO</b> (2F+2R right +2R left+6B+2G)
WH6-ZOCFS clincher 28"	WH-203ZOS	
<b>REAR</b>		
WH6-ZOCR WH6-ZOCRX clincher 28"	WH-204ZO	
WH6-ZOCRS WH6-ZOCRXS clincher 28"	WH-204ZOS	<b>SILVER</b> <b>KIT-400ZOS</b> (2F+2R right +2R left+6B+2G)

**Compl. SPOKE KIT**

	FRONT COMPLETE	REAR COMPLETE	REAR RIGHT COMPLETE
<b>BLACK</b>	<b>KIT-23ZO</b> (17F+17B+17G)	<b>KIT-24ZO</b> (15R right+8R left+23B+8G)	<b>KIT-24ZOR</b> (15R right+15B)
<b>SILVER</b>	<b>KIT-23ZOS</b> (17F+17B+17G)	<b>KIT-24ZOS</b> (15R right+8R left+23B+8G)	<b>KIT-24ZOSR</b> (15R right+15B)
<b>G</b>	<b>WH-109ZOC</b> (10 pcs.)		

**SCIROCCO™**  
*clincher*

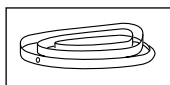
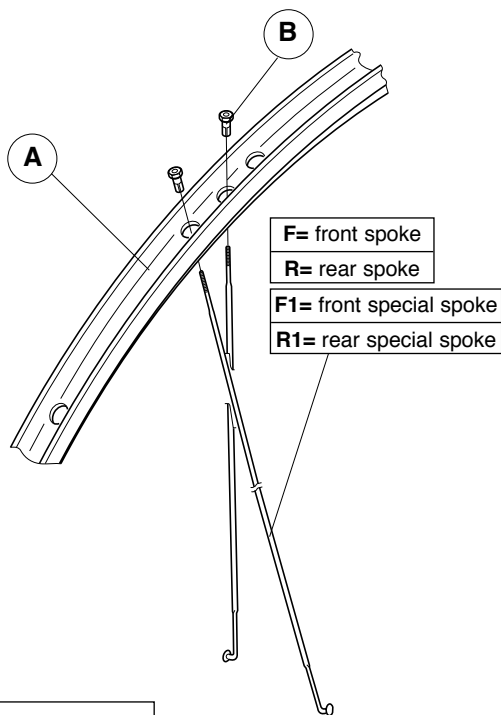


RIM TAPE 18 mm:  
WH-RT01

**COMPLETE LABEL KIT (front+rear):**  
**LAB-SCC06 (silver) - LAB-SCCB07 (black)**

	COMPLETE WHEELS	RIM (A)	SPOKE MINI-KIT
<b>FRONT</b>			
<b>SILVER</b>	<b>WH6-SCCF</b> clincher 28"	<b>WH-103SC</b>	<b>SILVER KIT-600SC</b> (1F+1F1+1R right +1R left+1R1 left+5B)
<b>BLACK</b>	<b>WH7-SCCFB</b> clincher 28"	<b>WH-103SCB</b>	
<b>REAR</b>			
<b>SILVER</b>	<b>WH6-SCCR</b> clincher 28"	<b>WH-104SC</b>	<b>BLACK KIT-600SCB</b> (1F+1F1+1R right +1R left+1R1 left+5B)
<b>BLACK</b>	<b>WH7-SCCRB</b> clincher 28"	<b>WH-104SCB</b>	
<b>Compl. SPOKE KIT</b>			
	FRONT COMPLETE	REAR COMPLETE	REAR RIGHT COMPLETE
<b>SILVER</b>	<b>KIT-33SC</b> (19F+2F1+21B)	<b>KIT-34SC</b> (18R right+10R left+1R1 left+29B)	<b>KIT-34SCR</b> (18R right+18B)
<b>BLACK</b>	<b>KIT-33SCB</b> (19F+2F1+21B)	<b>KIT-34SCB</b> (18R right+10R left+1R1 left+29B)	<b>KIT-34SCBR</b> (18R right+18B)
		F1 + B	R1 left + B
<b>SILVER</b>		L. 281 mm WH-205SCC (1 pc.)	L. 282 mm WH-207SCC (1 pc.)
<b>BLACK</b>		L. 281 mm WH-205SCCB (1 pc.)	L. 282 mm WH-207SCCB (1 pc.)

**VENTO™**  
*clincher*



**RIM TAPE 16 mm:**  
WH-RT02

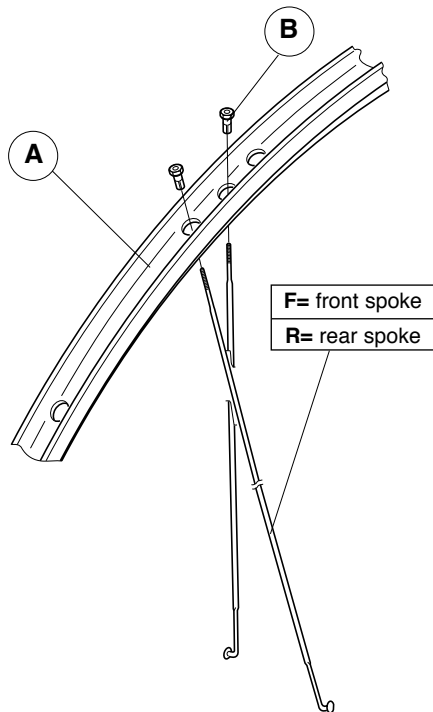
**COMPLETE LABEL KIT (front+rear):**  
LAB-VEC06 (silver) - LAB-VECB07 (black)

	COMPLETE WHEELS	RIM (A)	SPOKE MINI-KIT
<b>FRONT</b>			
<b>SILVER</b>	WH6-VECF clincher 28"	WH-203VE	<b>SILVER KIT-500VE</b> (1F Central+1F Lateral+1F1 +1R right +1R left+1R1 Left+6B)
<b>BLACK</b>	WH7-VECFB clincher 28"	WH-203VEB	
<b>REAR</b>			
<b>SILVER</b>	WH6-VECR clincher 28"	WH-204VE	<b>BLACK KIT-500VEB</b> (1F Central+1F Lateral+1F1 +1R right +1R left+1R1 Left+6B)
<b>BLACK</b>	WH7-VECRB clincher 28"	WH-204VEB	

<b>Compl. SPOKE KIT</b>			
	FRONT COMPLETE	REAR COMPLETE	REAR RIGHT COMPLETE
<b>SILVER</b>	<b>KIT-13VE</b> (19F+2F1+21B)	<b>KIT-14VE</b> (18R right+10R left+1R1 left+29B)	<b>KIT-14VER</b> (18R right+18B)
<b>BLACK</b>	<b>KIT-13VEB</b> (19F+2F1+21B)	<b>KIT-14VEB</b> (18R right+10R left+1R1 left+29B)	<b>KIT-14VEBR</b> (18R right+18B)

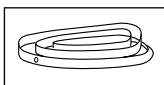
	<b>F1 + B / R1 left + B</b>
<b>SILVER</b>	L. 276 mm WH-305VEC (1 pc.)
<b>BLACK</b>	L. 276 mm WH-305VECB (1 pc.)

# KHAMSIN™ clincher



	COMPLETE WHEELS	RIM (A)	SPOKE MINI-KIT
	<b>FRONT</b>		<b>BLACK &amp; GOLD KIT-100KH</b> (2F+1R right +1R left+4B)
<b>BLACK</b>	<b>WH7-KHCFB</b> clincher 28"	<b>WH-003KHB</b>	
<b>GOLD</b>	<b>WH7-KHCFG</b> clincher 28"	<b>WH-003KHG</b>	
	<b>REAR</b>		
<b>BLACK</b>	<b>WH7-KHCFB</b> clincher 28"	<b>WH-004KHB</b>	
<b>GOLD</b>	<b>WH7-KHCFG</b> clincher 28"	<b>WH-004KHG</b>	

<b>Compl. SPOKE KIT</b>			
	FRONT COMPLETE	REAR COMPLETE	REAR RIGHT COMPLETE
<b>BLACK &amp; GOLD</b>	<b>KIT-03KH</b> (25F+25B)	<b>KIT-04KH</b> (19R right+10R left+29B)	<b>KIT-04KHR</b> (19R right+19B)

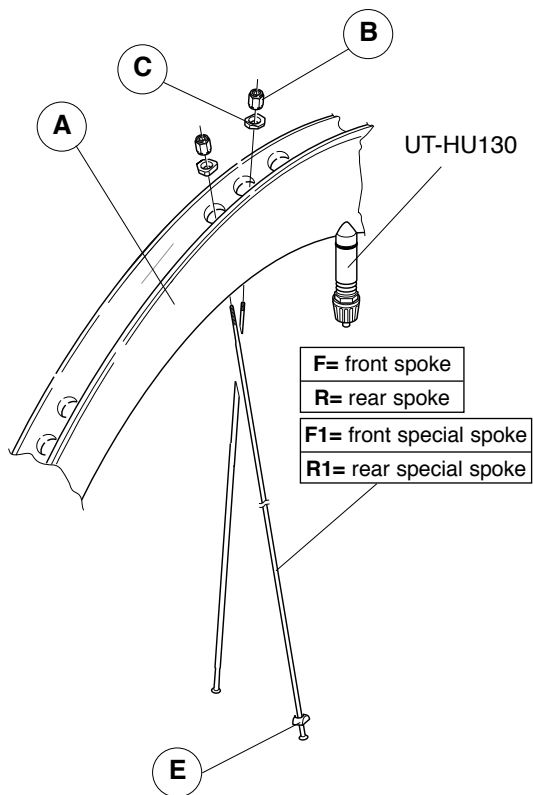


**RIM TAPE 18 mm:**  
WH-RT01

**COMPLETE LABEL KIT (front+rear):**  
LAB-KHCB07 (black) - LAB-KHCG07 (gold)



## **BORA™ ULTRA™** *tubular*

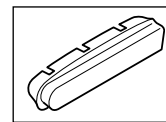


COMPLETE WHEELS	RIM (A)	SPOKE MINI-KIT
<b>FRONT</b>		
<b>WH6-BOTF</b> tubular 28"	<b>WH-501BO</b>	<b>KIT-300BO</b> (1F+1F1+1R right +1R left+1R1 right+5B+5C+2E)
<b>REAR</b>		
<b>WH6-BOTR</b> <b>WH6-BOTRX</b> tubular 28"	<b>WH-402BO</b>	

<b>Compl. SPOKE KIT</b>		
FRONT COMPLETE	REAR COMPLETE	REAR RIGHT COMPLETE
<b>KIT-31BO</b> (17F+2F1+19B+19C)	<b>KIT-32BO</b> (14R right+6R left+2R1 right+22C+22B+16E)	<b>KIT-32BOR</b> (14R right+2R1 right+16C+16B+16E)

SPECIAL SPOKES	F1 + B	R1 right + B
	L. 264 mm WH-205BOT (1 pc.)	L. 268 mm WH-206BOT (1 pc.)

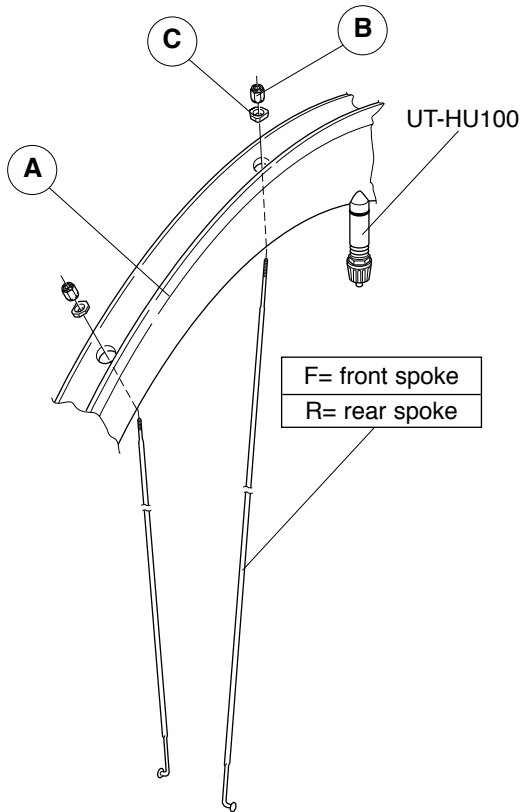
B	C
10-WH-010BO (10 pcs.)	10-WH-011BO (10 pcs.)



**SPECIAL BRAKE PADS:**  
BR-RE701  
(Campagnolo® brakes)  
BR-701X  
(Dura-Ace brakes of Shimano Inc.)

**COMPLETE LABEL KIT (front+rear): LAB-BOT06**

**PISTA™  
tubular**

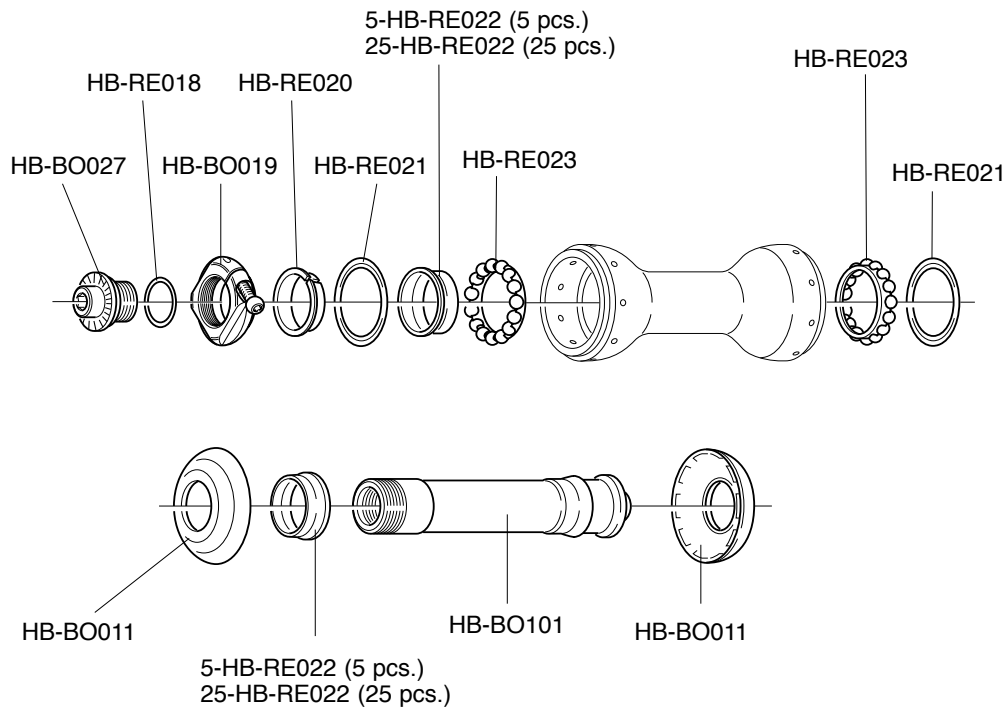


COMPLETE WHEELS	A	Compl. KIT	MINI-KIT
<b>FRONT</b>			<b>KIT-100PI</b> (3F+3R+6B+6C)
<b>WH02-PTF</b> tubular 28"	<b>WH-001PI</b>	<b>KIT-01PI</b> (22F+22B+22C)	
<b>REAR</b>			
<b>WH02-PTR</b> tubular 28"	<b>WH-002PI</b>	<b>KIT-02PI</b> (26R+26B+26C)	

B	C
10-WH-010BO (10 pcs.)	10-WH-011EU (10 pcs.)

**COMPLETE LABEL KIT (front+rear):  
LAB-PIT05**

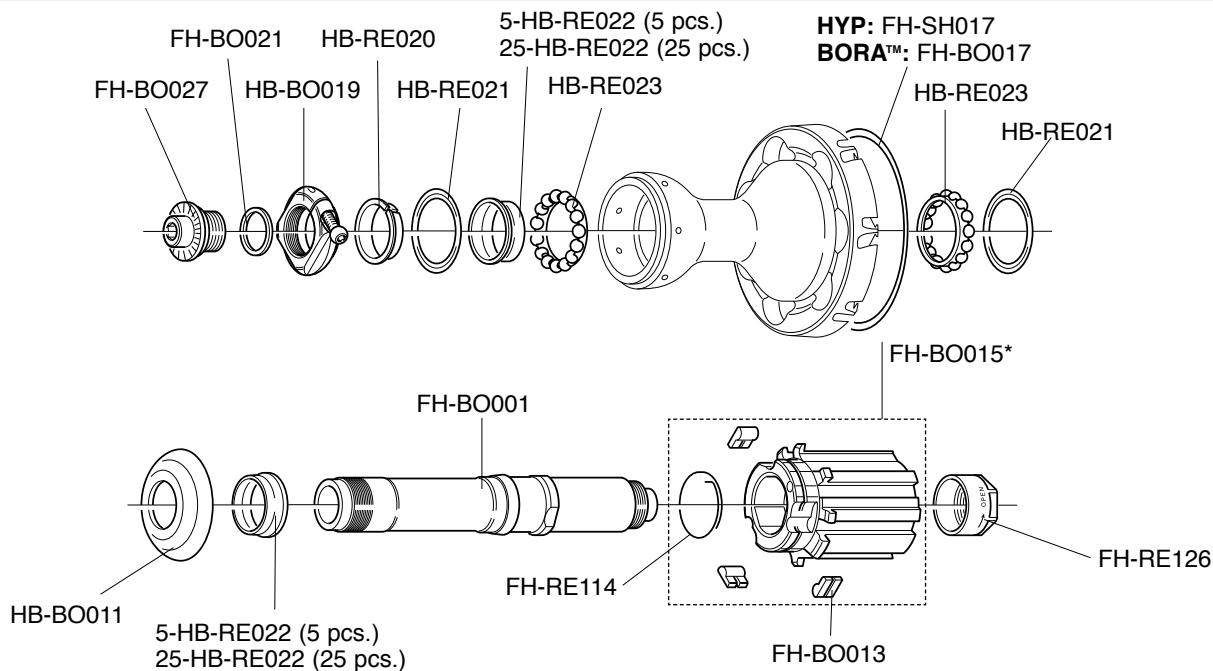
## MOZZO ANTERIORE *HYPERON™ ULTRA™ tub. and clincher* / *BORA™ ULTRA™ tub.* FRONT HUB



## MOZZO POSTERIORE

### *HYPERON™ ULTRA™ tub. and clincher / BORA™ ULTRA™ tub.*

### REAR HUB

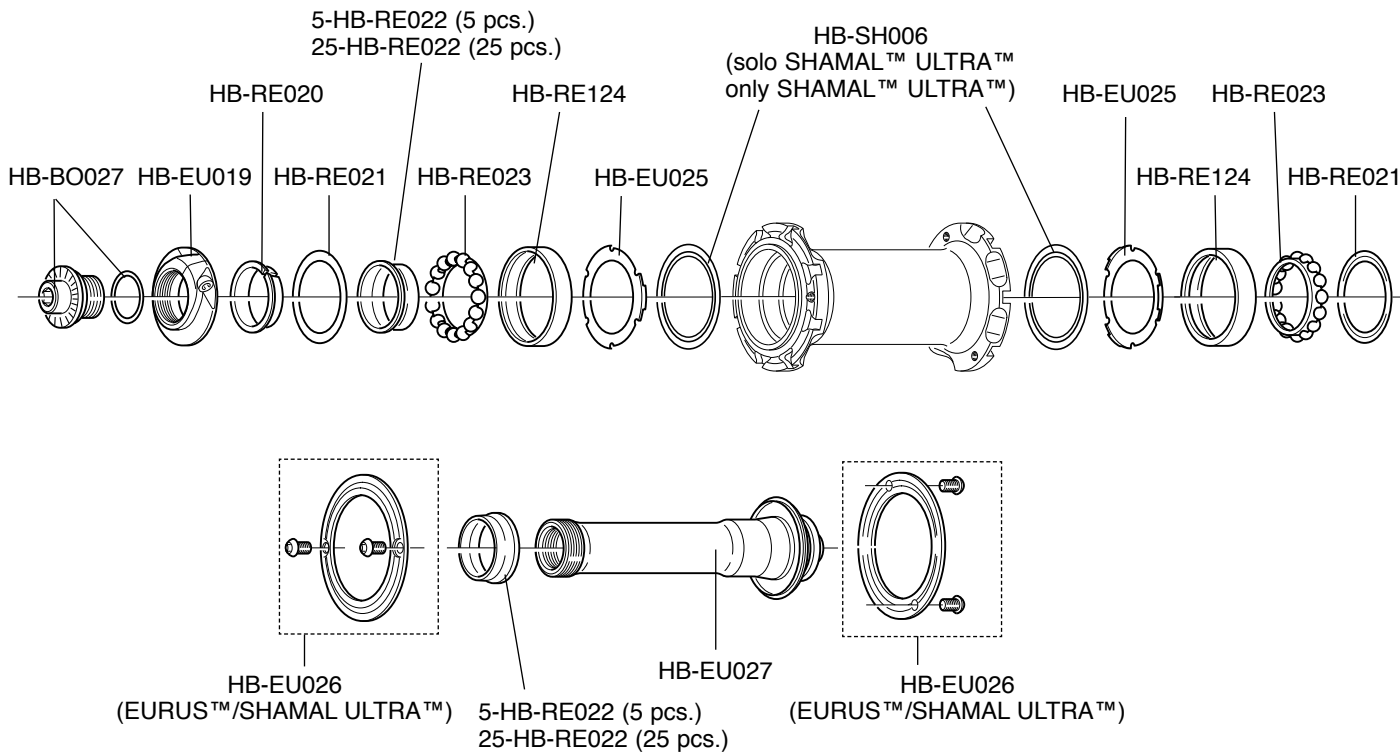


\* compatible only with new axle code FH-BO001

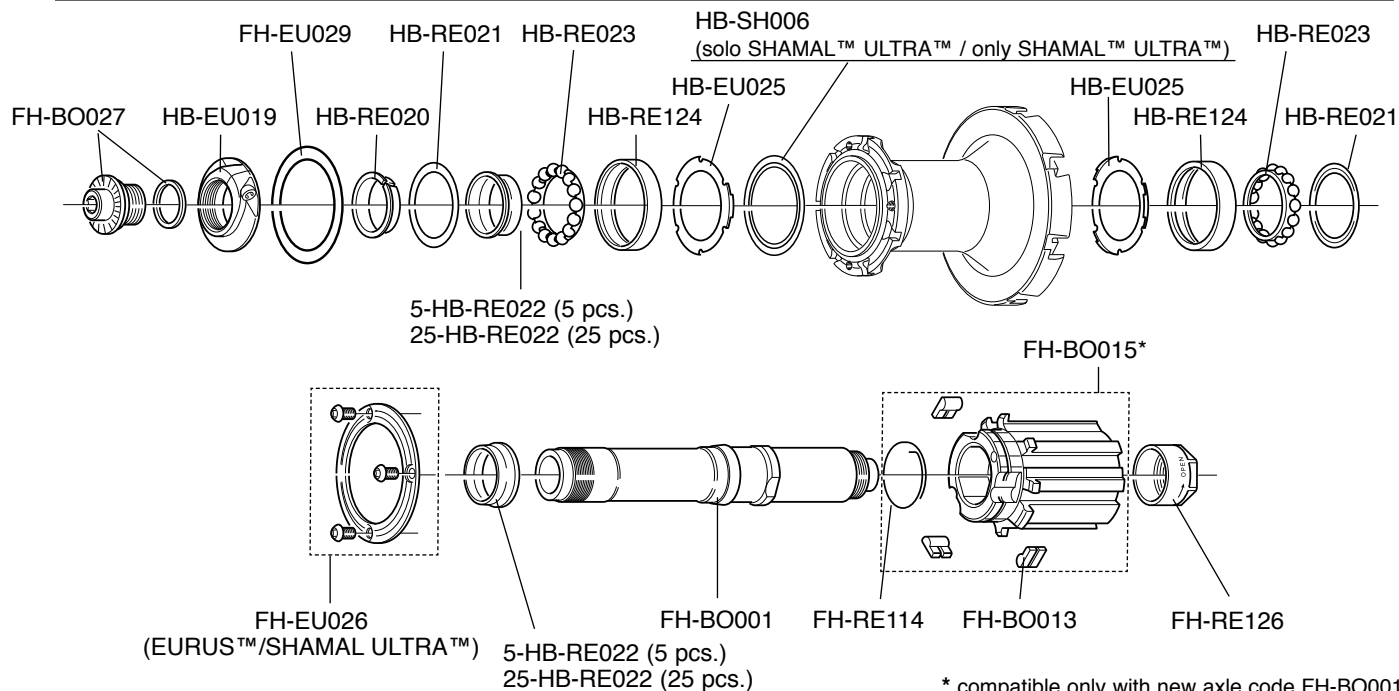
WH-KX10

**FW body for 10s sprockets starting from Z11 and Z12 of Shimano Inc.**  
 (compatible only with new axle code FH-BO001, requires special lockring code CS-701)  
**corpetto RL per pignoni 10s partenza Z11 e Z12 della Shimano Inc.**  
 (compatibile solo con nuovo perno cod. FH-BO001, richiede ghiera speciale cod. CS-701)

## MOZZO ANTERIORE EURUS™ / ZONDA™ / SHAMAL™ ULTRA™ FRONT HUB



## MOZZO POSTERIORE EURUS™ / ZONDA™ / SHAMAL™ ULTRA™ REAR HUB

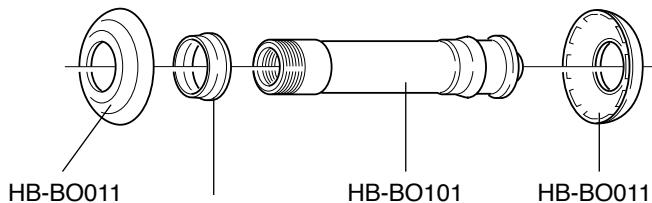
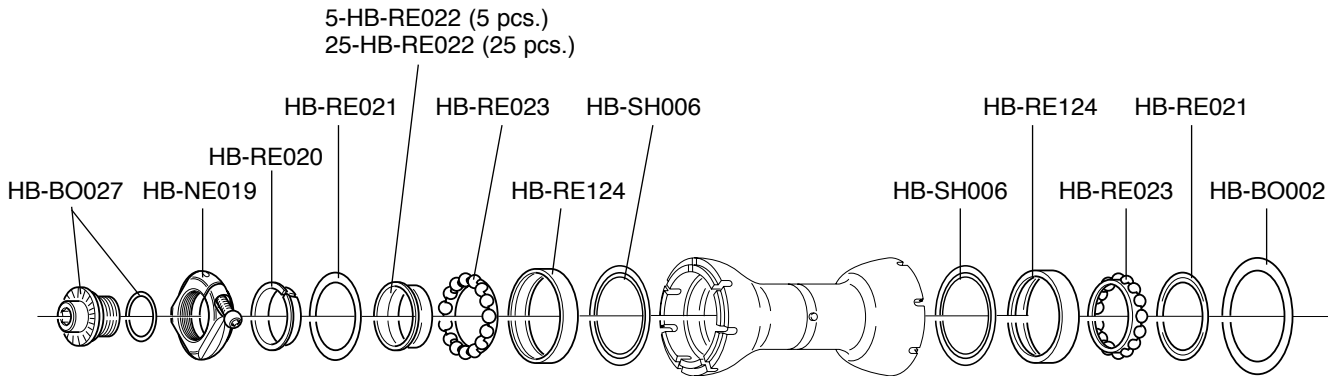


\* compatible only with new axle code FH-BO001

WH-KX10

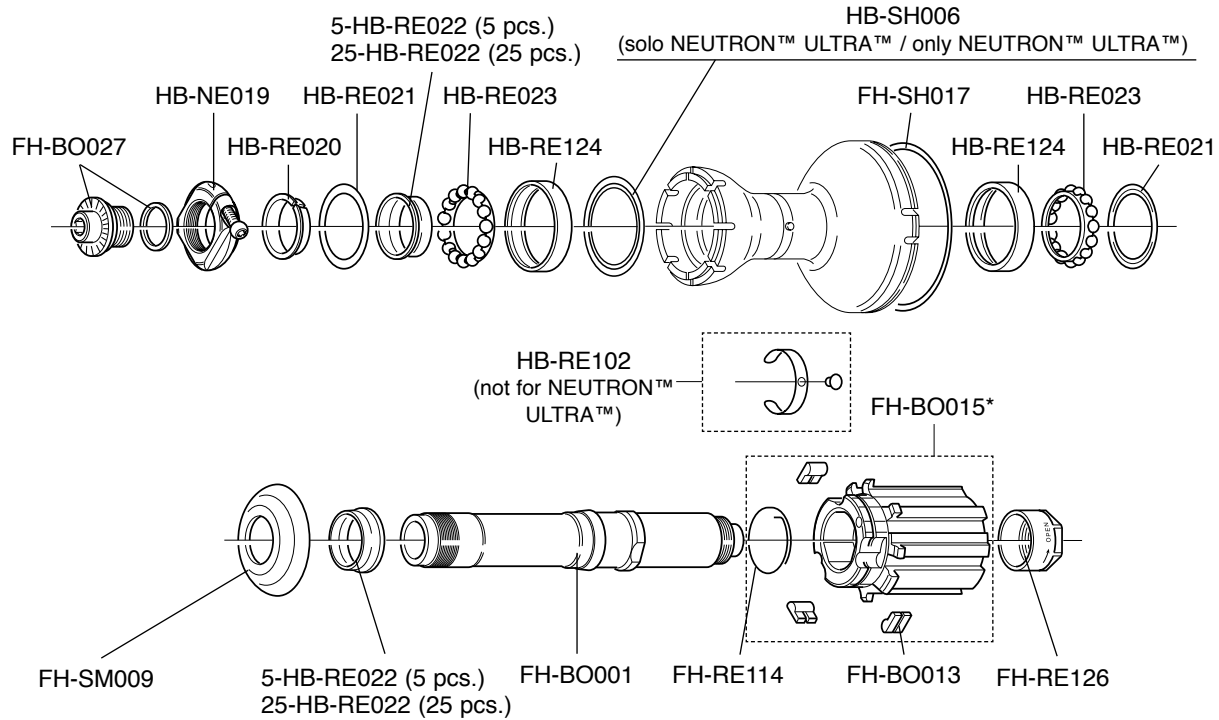
**FW body for 10s sprockets starting from Z11 and Z12 of Shimano Inc.**  
 (compatible only with new axle code FH-BO001, requires special lockring code CS-701)  
**corpetto RL per pignoni 10s partenza Z11 e Z12 della Shimano Inc.**  
 (compatibile solo con nuovo perno cod. FH-BO001, richiede ghiera speciale cod. CS-701)

## MOZZO ANTERIORE *NEUTRON™ / NEUTRON™ ULTRA™* FRONT HUB



5-HB-RE022 (5 pcs.)  
25-HB-RE022 (25 pcs.)

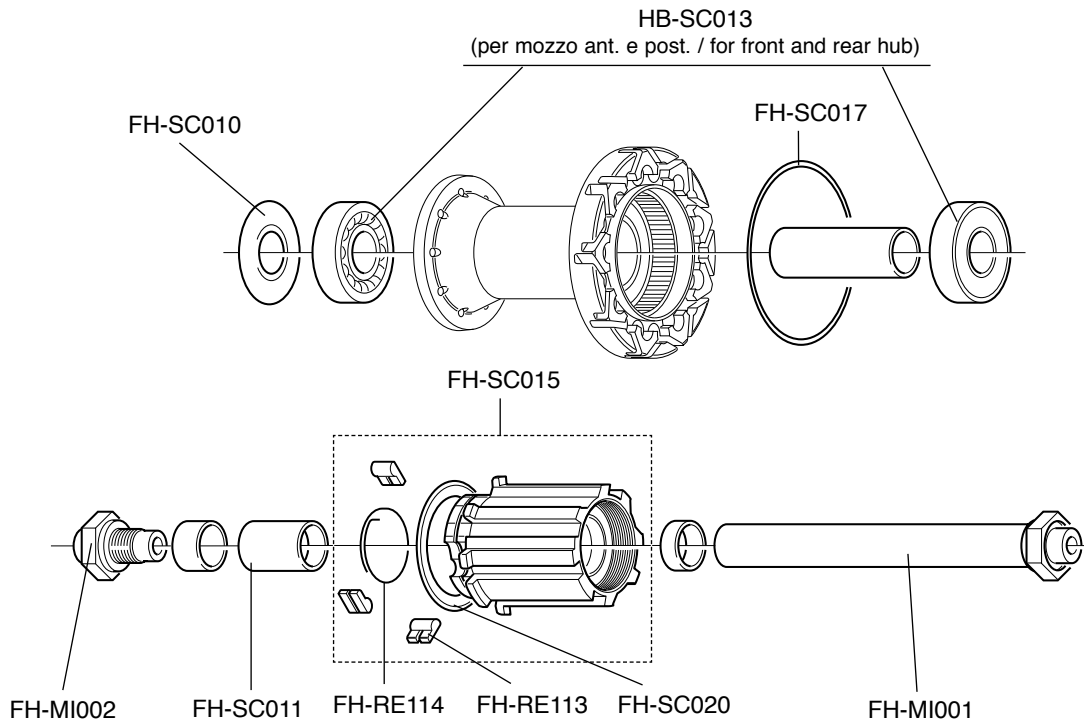
**MOZZO POSTERIORE**  
**NEUTRON™ / NEUTRON™ ULTRA™**  
**REAR HUB**



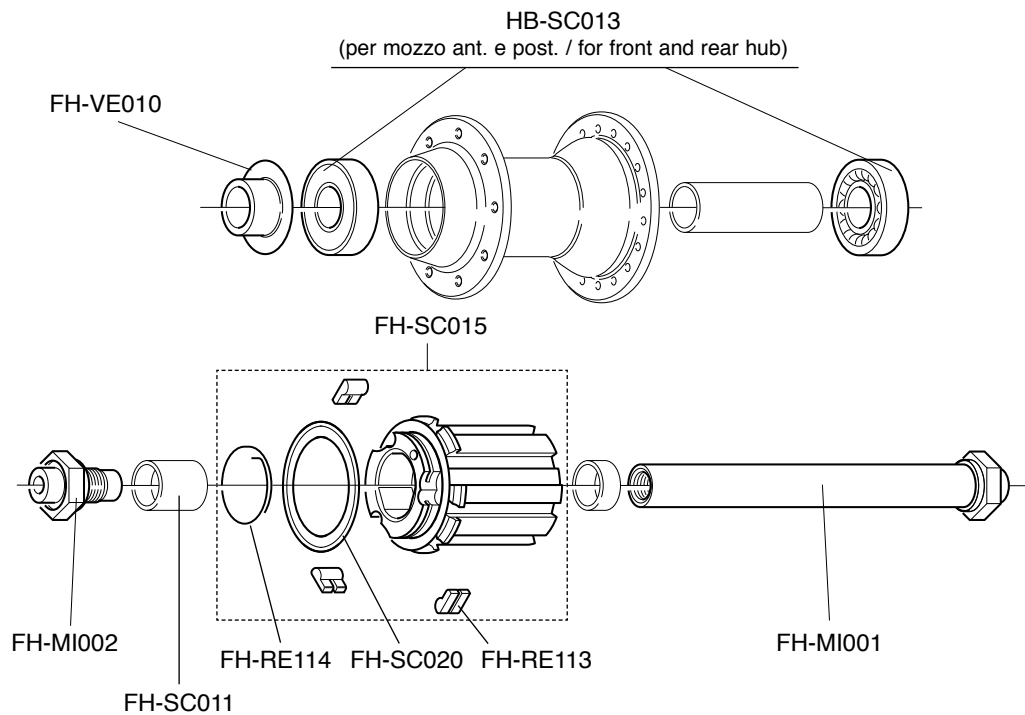
\* compatible only with new axle code FH-BO001



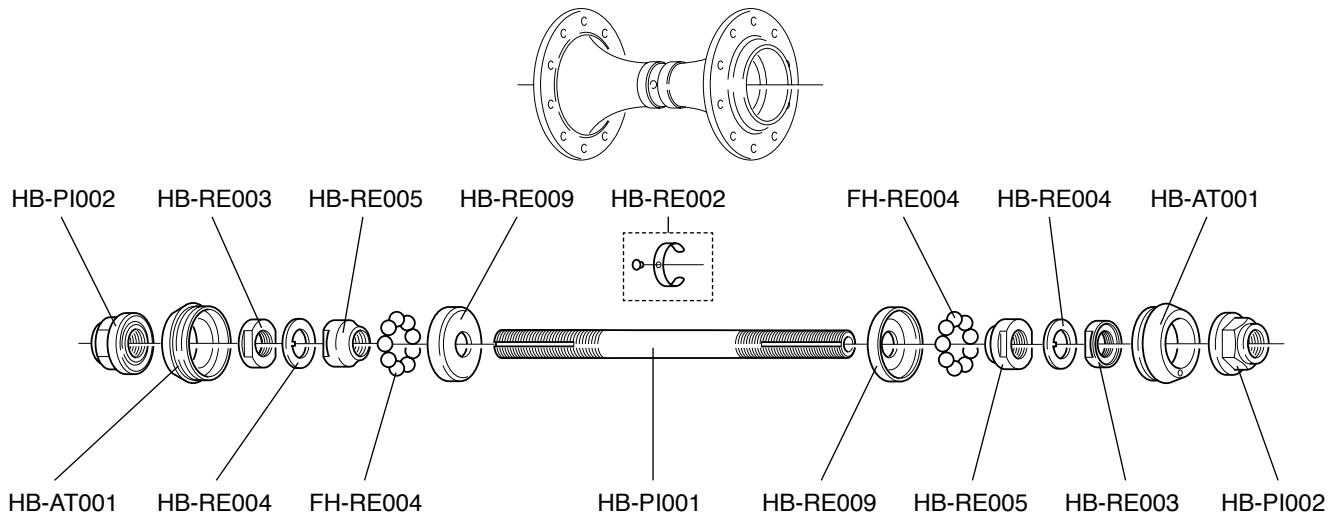
**MOZZO ANTERIORE  
e POSTERIORE  
*SCIROCCO™*  
FRONT and REAR HUB**



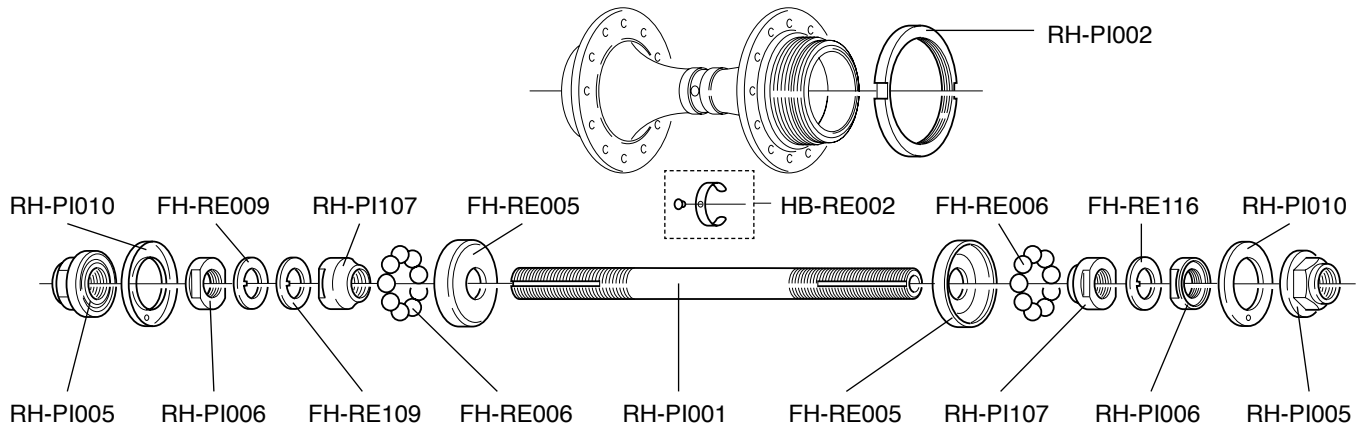
**MOZZO ANTERIORE  
e POSTERIORE  
VENTO™  
KHAM SIN™  
FRONT and REAR HUB**



**MOZZO ANTERIORE**  
***PISTA™***  
**FRONT HUB**



**MOZZO POSTERIORE**  
***PISTA™***  
**REAR HUB**



## Utensili raccomandati reperibili in commercio

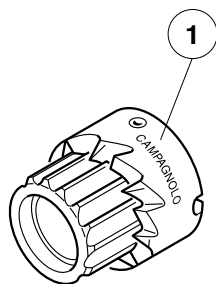
### Recommended tools, commercially available

---

- Cacciavite a croce PH 1 (Phillips)
- Chiave a manico di cacciavite con esagono da 5mm per raggi ruote
- Chiave a brugola da 2,5 mm per registrazione mozzi
- Chiave a brugola da 3 mm per blocchetti fermaguaine
- Chiave a brugola da 5 mm per freni, comandi Ergopower™, ecc.
- Chiave dinamometrica con chiave a brugola da 8 mm per montaggio viti pedivelle
- Chiave fissa da 17 mm per controdado mozzo posteriore
- Chiave a bussola da 24 mm per utensile fissaggio calotte mov. centrale Daytona/Centaur™, Veloce™, Mirage™ (UT-BB100 - pag. 126)
- Maschio M10 x 1 per ripasso occhiello attacco cambio su forcellini
- Chiave TORX per viti fissaggio ingranaggi guarniture RECORD™ e CHORUS™ CARBON (a partire da gamma 2004) e CENTAUR™ CARBON.

- 
- Phillips type screwdriver
  - 5 mm nut driver for wheel spokes
  - 2.5 mm allen key, for hub lock nut
  - 3 mm allen key, for downtube adjusters
  - 5 mm for brakes, Ergopower™ control levers, etc.
  - Torque wrench fitted with 8 mm allen key
  - 17 mm hexagonal wrench, for rear hub axle nut
  - 24 mm hexagonal wrench for Daytona/Centaur™, Veloce™, Mirage™ bottom bracket tool (UT-BB100 on page 126)
  - M10 x 1 tap for recutting rear derailleur hanger thread
  - TORX wrench to fix the chainrings of the RECORD™ and CHORUS™ CARBON cranksets (from 2004 range) and CENTAUR™ CARBON cranksets.

## HEADSET



Doppia fresa sedi calotte per attrezzo UT-HS090 (Ø 1")

**UT-HS093:** standard

**UT-HS094:** con inserti in metallo duro

Double cutter cup seats for tool UT-HS090 (Ø 1")

**UT-HS093:** standard

**UT-HS094:** with hard metal inserts

Fraise double pour sièges cuvettes pour outil UT-HS090 (Ø 1")

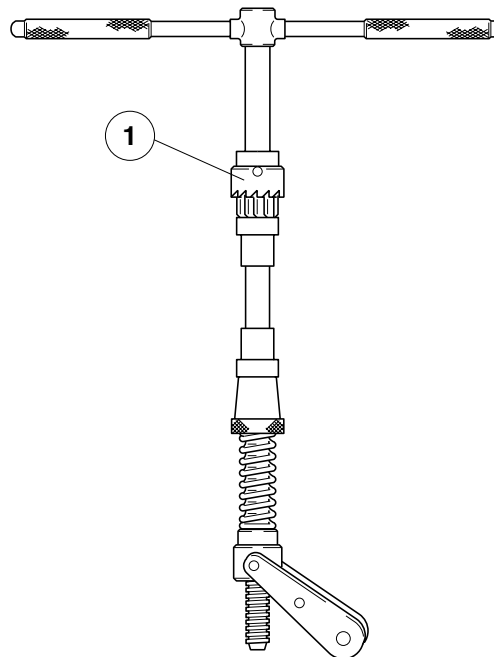
**UT-HS093:** standard

**UT-HS094:** avec inserts métal dur

Doppelfräser für Gabelkonus für Werkzeug UT-HS090 (Ø 1")

**UT-HS093:** Standard

**UT-HS094:** mit aufgetragenen Hartmetallplättchen



### UT-HS090

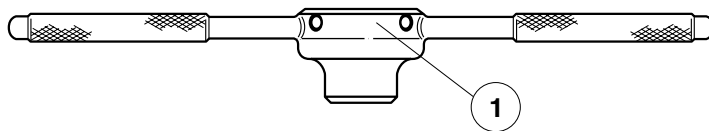
Attrezzo fresatura tubo sterzo, montaggio calotta inferiore e cono superiore serie sterzo 1" - completo di doppia fresa standard (1)

Tool for milling steering tube, for fitting bottom cup and top cone 1" headset - with standard double cutter (1)

Outil pour fraisage tube de direction, montage cuvette inférieure et cône supérieur jeux de directions 1" - avec fraise double standard (1)

Steuersatz-Fräswerkzeug - mit Standard-Doppelfräser (1) - für 1" Steuerschalensitz

**HEADSET**



**UT-HS020**

Attrezzo per ripasso filetto forcelle per sterzi 1", con filiera (1)

Tool for recutting fork thread for 1" Headsets, with threader (1)

Outil pour repassage filetage fourche pour jeux de directions 1", avec filière (1)

Werkzeug zum Nachschneiden von Gabelschaftgewinde, mit Gewinde-schneider (1), für Ø 1" Steuersatz

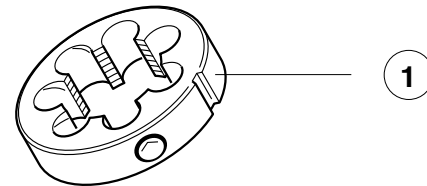
**UT-HS021**

Filiera per attrezzo ripasso forcella UT-HS020 (1")

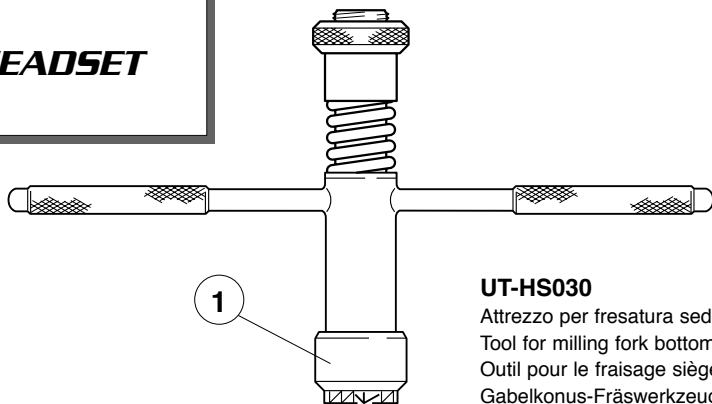
Cutter for recutting fork thread tool UT-HS020 (1")

Filière pour outil repassage fourche UT-HS020 (1")

Gewindeschneider für Werkzeug UT-HS020 (1") zum Nachschneiden für Gabelschaftrohr

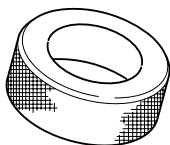


## HEADSET



### UT-HS030

Attrezzo per fresatura sede cono forcella per serie sterzo 1" con fresa standard (1)  
Tool for milling fork bottom cone seat for 1" headsets with standard cutter (1)  
Outil pour le fraisage siège cône de fourche pour directions 1" avec fraise standard (1)  
Gabelkonus-Fräswerkzeug für 1" Steuersitz mit Standardfräser (1)



### UT-HS110

Attrezzo mont. cono forcella, per s. sterzo Hiddenset 1"  
Tool for installing fork cone, for Ø 1" Hiddenset headset  
Outil pour montage cône de fourche, pour jeux de directions Hiddenset 1"  
Werkzeug zur Montage von Gabelkonus, für Ø 1" Hiddenset Steuersatz

### UT-HS120

Attrezzo mont. cono forcella, per s. sterzo Hiddenset 1-1/8"  
Tool for installing fork cone, for Ø 1-1/8" Hiddenset headset  
Outil pour montage cône de fourche, pour jeux de directions Hiddenset 1-1/8"  
Werkzeug zur Montage von Gabelkonus, für Ø 1-1/8" Hiddenset Steuersatz

Fresa per attrezzo UT-HS030 Ø 1"

**UT-HS031:** standard

**UT-HS032:** con inserti in metallo duro

Cutter for tool UT-HS030 Ø 1"

**UT-HS031:** standard

**UT-HS032:** with hard metal inserts

Fraise pour outil UT-HS030 Ø 1"

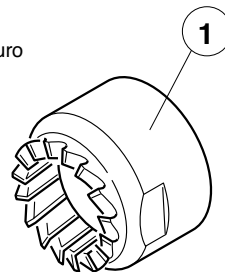
**UT-HS031:** standard

**UT-HS032:** avec inserts métal dur

Ø 1" Fräser für UT-HS030 Werkzeug

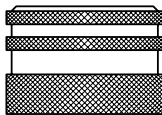
**UT-HS031:** Standard

**UT-HS032:** mit aufgetragenen Hartmetallplättchen



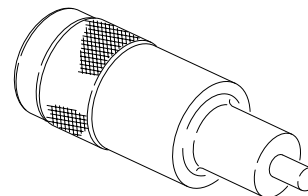


## HEADSET



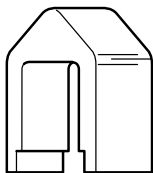
### UT-HS080

Calibro controllo sede cono forcelle Ø 26,4 mm  
 Gauge for checking fork cone seat 26,4 mm Ø  
 Calibre de contrôle siège cône de fourche Ø 26,4 mm  
 Kontrolllehre für Gabelkonussitz Ø 26,4 mm



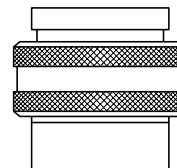
### UT-HS100

Attrezzo montaggio serie sterzo Ø 1" per canotto non filettato  
 Tool for installing Ø 1" headset for unthreaded steerers  
 Outil pour montage jeu de direction Ø 1" pour tube de fourche non fileté  
 Werkzeug zur Ø 1" Steuersatzmontage für gewindelosen Gabelschaft



### UT-HS060

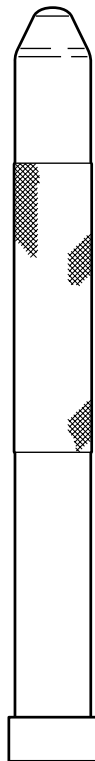
Estrattore cono forcella serie sterzo  
 Headset crown race remover  
 Extracteur cône de fourche pour jeux de directions  
 Abschläger für Gabelkonus für Steuersatz



### UT-HS070

Calibro controllo sedi coni e calotte sterzi 1"  
 Gauge for checking cone and cup seats 1" headsets  
 Calibre de contrôle sièges cônes et cuvettes jeux de directions 1"  
 Kontrolllehre für Gabelkonus und 1" Steuerschalensitz

## HEADSET



### UT-HS040

Punzone per montaggio cono forcella, per serie sterzo Ø 1"

Punch for installing fork cone, for Ø 1" headset

Outil pour montage cône de fourche, pour jeux de directions Ø 1"

Aufschläger für Montage von Gabelkonus, für Ø 1" Steuersatz

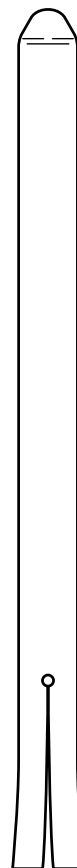
### UT-HS050

Estrattore calotta inferiore e cono superiore, per serie sterzo Ø 1"

Extractor for lower headset cup and race, for Ø 1" headset

Extracteur cuvette inférieure et cône supérieur, pour jeux de directions Ø 1"

Austreiber für oberen Konus und untere Lagerschale, für Ø 1" Steuersatz



## ***BOTTOM BRACKET***

### **UT-BB045**

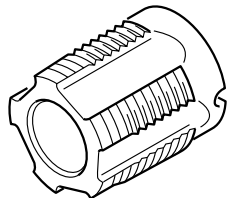
Maschio filetto italiano (1 pz.)  
Tap for Italian thread (1pc.)  
Taraud filetage italien (1 pc.)  
ITA Gewindeschneider (1 St.)

### **UT-BB046**

Maschio filetto inglese destro (1 pz.)  
Tap for English thread right-hand (1pc.)  
Taraud filetage anglais droit (1 pc.)  
BSA Gewindeschneider rechts (1 St.)

### **UT-BB047**

Maschio filetto inglese sinistro (1 pz.)  
Tap for English thread left-hand (1pc.)  
Taraud filetage anglais gauche (1 pc.)  
BSA Gewindeschneider links (1 St.)



Attrezzo per filettatura scatola movimento centrale con 2 maschi

**UT-BB040:** Filetto italiano

**UT-BB041:** Filetto inglese

Tool for threading bottom bracket housing with 2 taps

**UT-BB040:** Italian thread

**UT-BB041:** English thread

Outil pour le filetage de la boîte de pédalier avec 2 tarauds

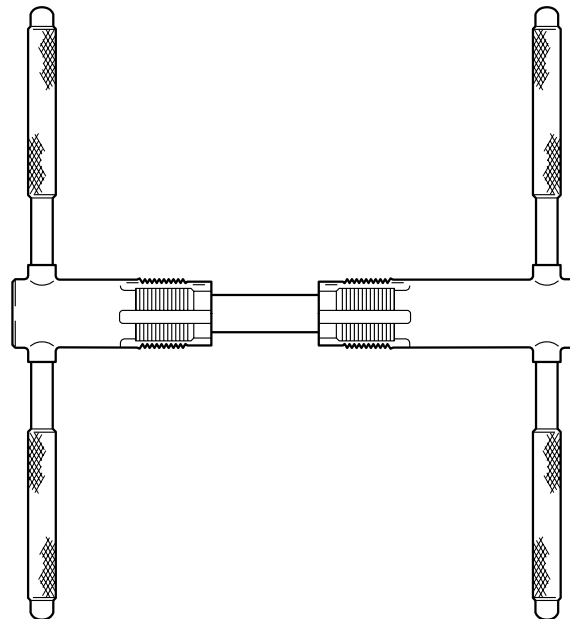
**UT-BB040:** filetage italien

**UT-BB041:** filetage anglais

Tretlager-Gewindeschneid-Werkzeug mit 2 Gewindeschneider mit:

**UT-BB040:** ITA Gewinde

**UT-BB041:** BSA Gewinde



## **BOTTOM BRACKET**

**UT-BB052:** 2 manicotti filettati di guida per attrezzo UT-BB050, italiano

**UT-BB053:** 2 manicotti filettati di guida per attrezzo UT-BB051, inglese

**UT-BB052:** Inner and outer thread guide for UT-BB050, IT thread

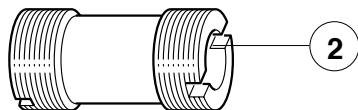
**UT-BB053:** Inner and outer thread guide for UT-BB051, BSC thread

**UT-BB052:** 2 manchons filetés de guide pour outils UT-BB050 fil. Italien

**UT-BB053:** 2 manchons filetés de guide pour outils UT-BB051 fil. anglais

**UT-BB052:** 2 Gewindemuffen zur Führung Werkzeuge UT-BB050, ITA

**UT-BB053:** 2 Gewindemuffen zur Führung Werkzeuge UT-BB051, BSA



Fresa per attrezzi UT-BB050 e UT-BB051

**UT-BB054:** Fresa standard

**UT-BB055:** Fresa con inserti metallo duro

Cutter for tools UT-BB050 and UT-BB051

**UT-BB054:** standard cutter

**UT-BB055:** cutter with hard metal inserts

Attrezzo fresatura piani scatola movimento centrale con fresa standard (1) e 2 manicotti filettati (2)

**UT-BB050:** Filetto italiano

**UT-BB051:** Filetto inglese

Bottom bracket facing set with standard cutter (1) and 2 - inner and outer - thread guide (2)

**UT-BB050:** Italian thread

**UT-BB051:** English thread

Outil fraisage faces boîte de pédalier avec fraise standard (1) et 2 manchons filetés de guide (2)

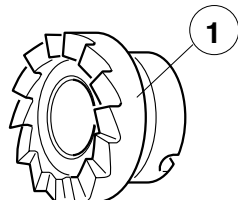
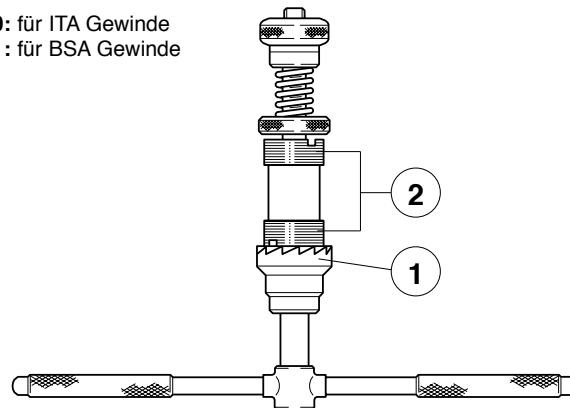
**UT-BB050:** filetage italien

**UT-BB051:** filetage anglais

Werkzeug zum Planfräsen des Tretlager-gehäuses mit Standardfräse (1) und 2 Gewindemuffen (2)

**UT-BB050:** für ITA Gewinde

**UT-BB051:** für BSA Gewinde



Fresa per attrezzi UT-BB050 e UT-BB051

**UT-BB054:** Fresa standard

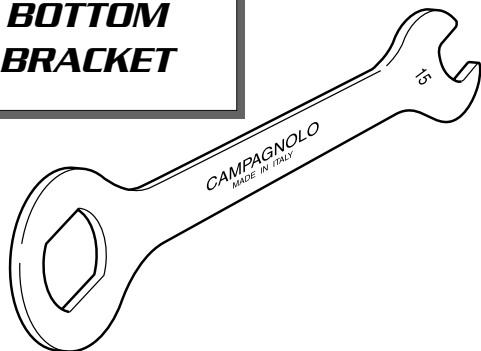
**UT-BB055:** Fresa con inserti metallo duro

Cutter for tools UT-BB050 and UT-BB051

**UT-BB054:** standard cutter

**UT-BB055:** cutter with hard metal inserts

**BOTTOM  
BRACKET**

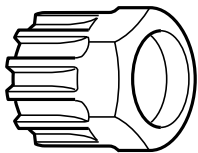
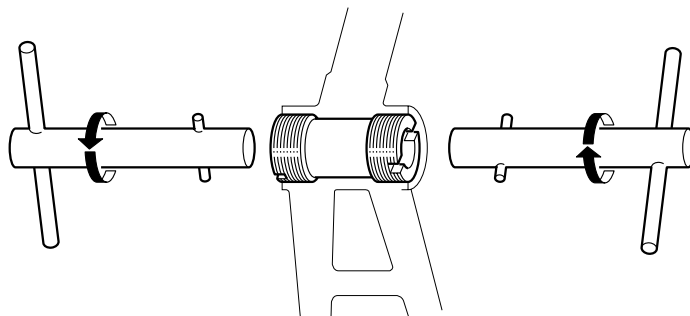


**UT-BB030**

Chiave per calotta destra movimenti centrali e per montaggio pedali  
Spanner for bottom bracket right-hand cup and installing pedals  
Clé pour cuvette droite jeu de pédalier et montage pédales  
Schlüssel für rechte Innenlagerschalen und Pedal-Montage

**UT-BB060**

Chiave per montaggio manicotti attrezzi UT-BB050/UT-BB051 (1 pz.)  
Key for BB-thread guides UT-BB050/UT-BB051 (1 pcs.)  
Clé pour montage guides pour outils UT-BB050/UT-BB051 (1 pcs.)  
Rohrschlüssel für Tretlagergewinde-Führungsteile UT-BB050/UT-BB051 (1 Stück)

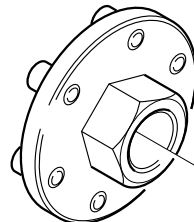


**UT-BB080 (1 pz.) - 10-UT-BB080 (10 pz.):**

Chiave per montaggio movimenti centrali CART e ghiera di chiusura pacchi pignoni  
Cartridge bottom bracket and sprocket cassette- lock ring remover  
Clé pour montage jeux de pédalier CART et roues-libres à cassette  
Schlüssel zur Montage von Patronen-Tretlager und Schließring für Freilaufzahnkranz

**UT-BB100**

Utensile per movimenti a cartuccia Daytona/Centaur™, Veloce™ e Mirage™  
Tool for Daytona/Centaur™, Veloce™ and Mirage™ cartridge bottom bracket  
Clé pour jeux de pédalier à cartouche Daytona/Centaur™, Veloce™ et Mirage™  
Montageschlüssel für Daytona/Centaur™, Veloce™ und Mirage™ Patronen-Tretlager

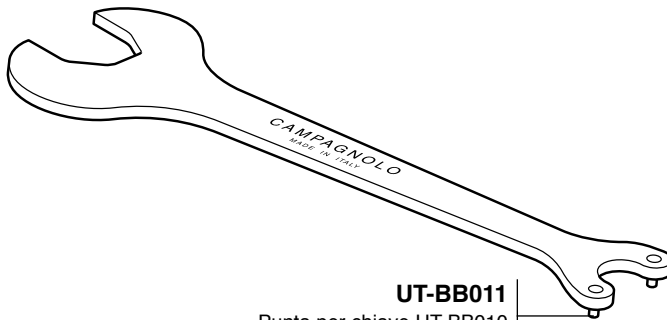


**HEADSET /  
BOTTOM  
BRACKET**



**UT-HS010**

Chiave per serie sterzo Ø 1" e contranello movimento centrale Pista™  
Spanner for Ø 1" head sets and Pista™ bottom bracket counter ring  
Clé pour direction Ø 1" et contre-écrou du jeu de pédalier Pista™  
Schlüssel für Ø 1" Steuersatz und Pista™ Tretlager-Konterring

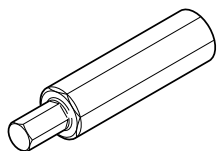


**UT-BB011**

Punta per chiave UT-BB010  
Pin for UT-BB010  
Grain pour clé UT-BB010  
Stift für Schlüssel UT-BB010

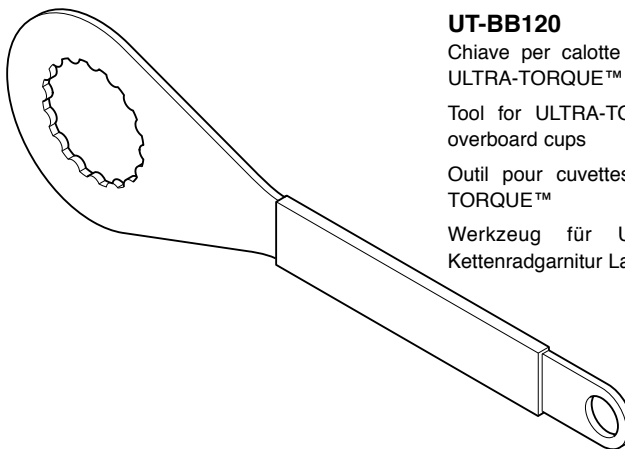
**UT-BB010**

Chiave per serie sterzo Ø 1" e calotta sinistra movimento centrale Pista™  
Spanner for Ø 1" head sets and Pista™ bottom bracket left hand cup  
Clé pour direction Ø 1" et cuvette réglable jeu de pédalier Pista™  
Schlüssel für Ø 1" Steuersatz und Stiftschlüssel für Pista™ Tretlagerschale



**UT-BB110**

Utensile per vite fissaggio guarnitura ULTRA-TORQUE™  
Tool for ULTRA-TORQUE™ crankset fixing screw  
Outil pour vis de fixation pédalier ULTRA-TORQUE™  
Werkzeug für ULTRA-TORQUE™ Kettenradgarnitur Befestigungsschraube



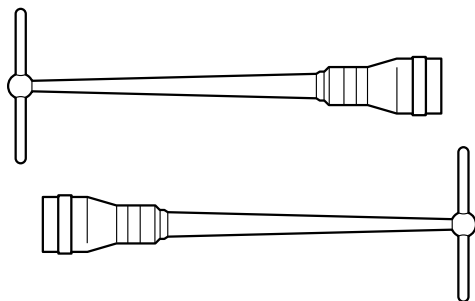
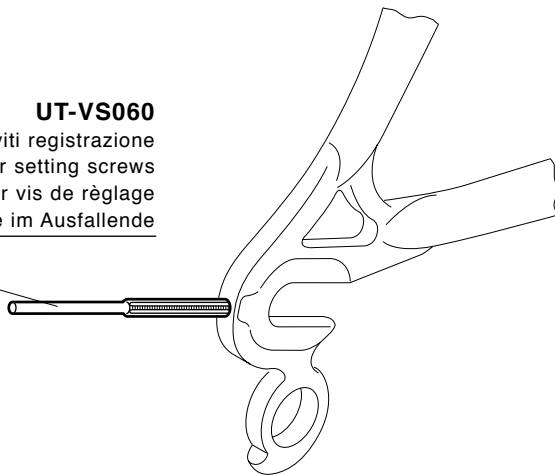
**UT-BB120**

Chiave per calotte esterne guarnitura ULTRA-TORQUE™  
Tool for ULTRA-TORQUE™ crankset overboard cups  
Outil pour cuvettes pédalier ULTRA-TORQUE™  
Werkzeug für ULTRA-TORQUE™ Kettenradgarnitur Lagerschalen

**FRAME  
PREPARATION**

**UT-VS060**

Maschio M3 x 0,5 per ripasso filetti forcellini per viti registrazione  
 M3 x 0,5 tap for recutting rear drop-out threads for setting screws  
 Taraud M3 x 0,5 pour repassage filetage pattes de cadre pour vis de réglage  
M3 x 0,5 Gewindebohrer zum Nachschneiden von Stellschraubengewinde im Ausfallende



**UT-VS120**

Calibro per controllo allineamento forcellini e punte forcelle (2 pz.)  
 Drop-out alignment set (2 pcs.)  
 Calibre pour contrôle alignement pattes de cadres et pattes de fourches (2 pcs.)  
 Werkzeug zum Ausrichten von Gabel- und Ausfallenden (2 St.)

## **FRAME PREPARATION**

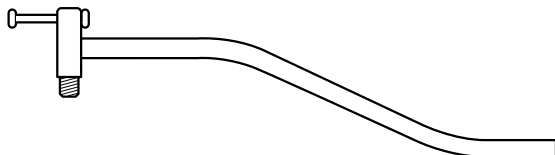
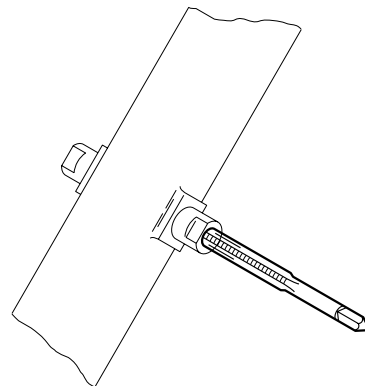
### **UT-VS050**

Maschio M5 x 0,8 per ripasso filetti attacchi quadri comandi e attacchi borracce

M5 x 0,8 tap for recutting shifting lever- and bottle cage threads

Taraud M5 x 0,8 pour repassage filetage plots de manettes et attaches bidons

M5 x 0,8 Gewindebohrer zum Nachschneiden der Gewinde für Schalthebel und Trinkflaschenhalter



### **UT-VS030**

Riscontro allineamento occhiello attacco cambio

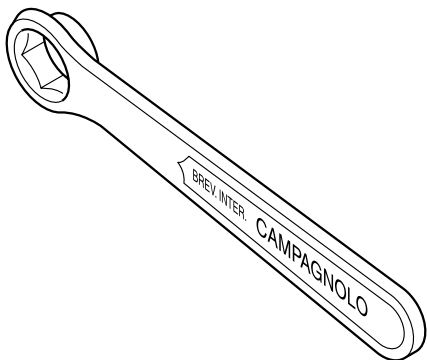
Rear derailleur hanger alignment tool

Calibre de contrôle attache de dérailleur arrière

Richtwerkzeug zur Kontrolle von Ausfallende mit Schaltauge



## **CRANKS / CHAINRINGS**



### **UT-FC050**

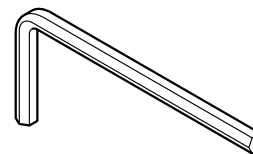
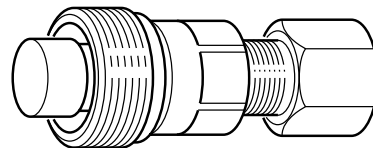
Chiave con esagono da 15 mm per estrattore pedivelle  
 15 mm crank bolt spanner  
 Clé avec hexagone de 15 mm pour extraire manivelles  
 15 mm Schlüssel für Tretkurbelabzieher

### **UT-FC060**

Estrattore pedivelle standard  
 Extractor for standard cranks  
 Extracteur manivelles standards  
 Standard - Tretkurbelabzieher

### **UT-FC070**

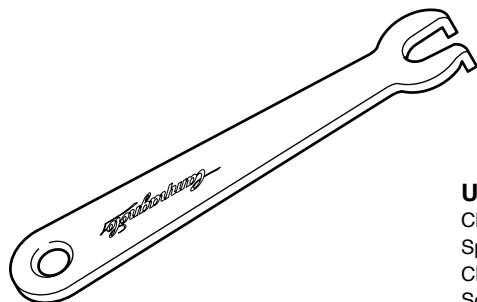
Estrattore pedivelle con filetto a sinistra  
 Extractor for cranks with l.h. thread  
 Extracteur manivelles avec filetage à gauche  
 Tretkurbelabzieher mit Linksgewinde



### **UT-FC030**

Chiave a brugola da 5 mm  
 5 mm allen key  
 Clé à pans creux de 5 mm  
 5 mm L-Schlüssel

**CRANKS /  
CHAINRINGS /  
BRAKES**



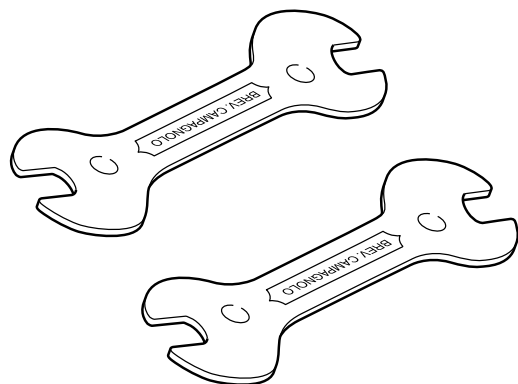
**UT-FC040**

Chiave per dadi fissaggio ingranaggi

Spanner for chainring retaining nuts

Clé pour écrous de fixation plateaux de pédaliers

Schlüssel zur Befestigung von Kettenblattbolzen



**UT-BR010**

Coppia chiavi 13-14 per registrazione freni e coni mozzi

Pair of 13-14 mm spanners for adjusting brakes and hub cones

Paire clés 13-14 pour réglage freins et cônes de moyeux

13-14 mm Schlüssel (2 Stücke) zum Einstellen von Bremsen und Nabelkonen

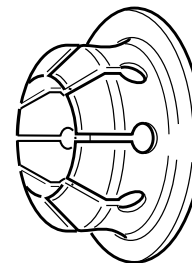
**HUBS &  
WHEELS**

**UT-HU090**

Attrezzo per montaggio cricchetti ruota libera su mozzi standard e HPW™  
 Freewheel-pawl assembling tool (standard and HPW™-hubs)

Outil pour montage cliquets de roue-libre sur moyeux standard et HPW™

Werkzeug zur Montage der Kassettenkörper-Sperrklinken (Standard- und HPW™-Nabe)



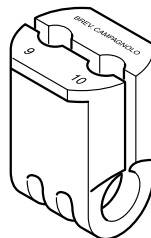
**UT-HU020**

Pinza per perni filettati mozzi

Hub axle vise

Pince pour axes filetés de moyeux

Klemmvorrichtung für Naben-Achsgewinde



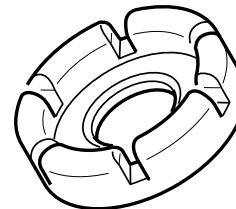
**UT-HU050**

Tiraraggi

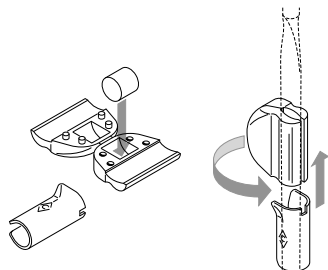
Spoke wrench

Clé à rayons

Speichenschlüssel



## HUBS & WHEELS

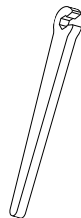


### UT-WH060

Magnete velocità per raggi EURUS™ 06 / SHAMAL™ ULTRA™

SPD magnet for EURUS™ 06 / SHAMAL™ ULTRA™ spokes

Aimant vitesse pour rayons EURUS™ 06 / SHAMAL™ ULTRA™

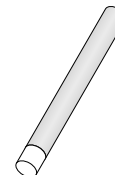


### UT-WH040

Chiave tiraraggi EURUS™ 06  
Spoke wrench EURUS™ 06  
Clé à rayons EURUS™ 06

### UT-WH070

Chiave tiraraggi SHAMAL™ ULTRA™  
Spoke wrench SHAMAL™ ULTRA™  
Clé à rayons SHAMAL™ ULTRA™



### UT-WH050

Magnete guida-niplo  
Nipple guide magnet  
Aimant de guidage écrou



### UT-WH020

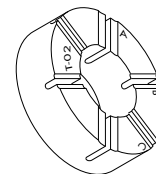
Inserto niplo attira-magnete per EURUS™ 06 / SHAMAL™ ULTRA™

Magnet-attracting nipple insert for EURUS™ 06 / SHAMAL™ ULTRA™

Insert d'écrou pour attirer l'aimant EURUS™ 06 / SHAMAL™ ULTRA™

### UT-WH030

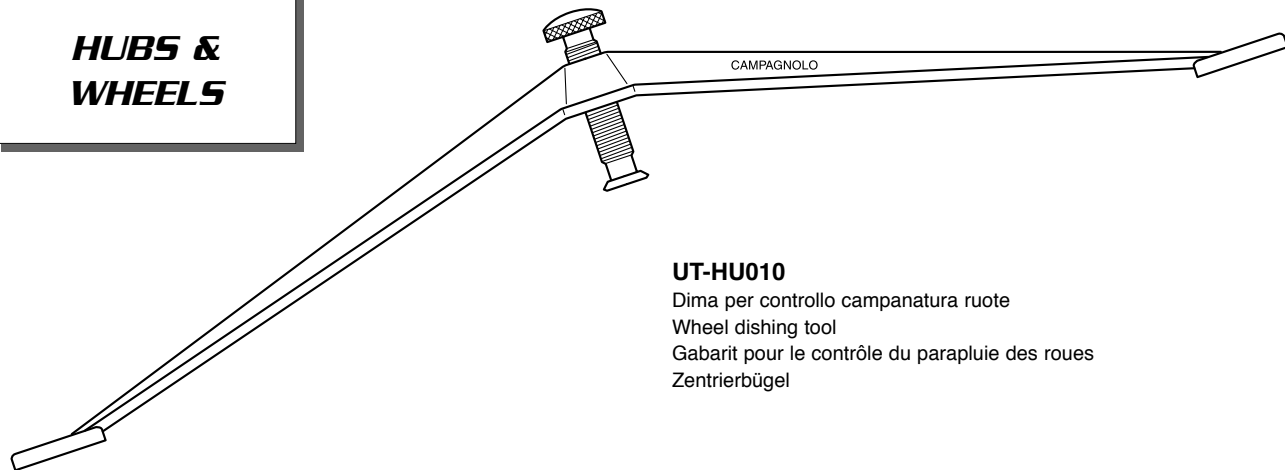
Inserto niplo attira-magnete per ZONDA™ 06  
Magnet-attracting nipple insert for ZONDA™ 06  
Insert d'écrou pour attirer l'aimant ZONDA™ 06



### UT-WH010

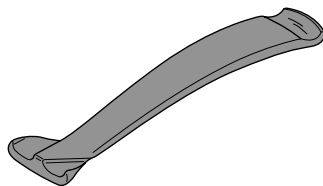
Anello anti-rotazione raggi  
Spoke antirotation ring  
Bague antirotation des rayons

**HUBS &  
WHEELS**



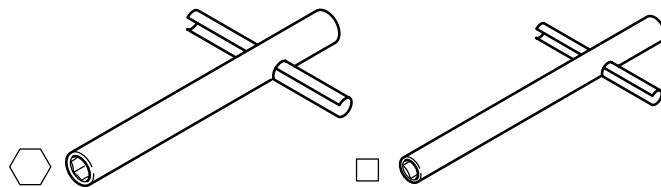
**UT-HU010**

Dima per controllo campanatura ruote  
Wheel dishing tool  
Gabarit pour le contrôle du parapluie des roues  
Zentrierbügel



**WH-009HYC**

Leva in composito per rimozione copertoncino  
Composite lever for removing clinchers  
Démonte-pneus en composite  
Reifenheber aus Verbundwerkstoff zum Abnehmen des Drahtreifens



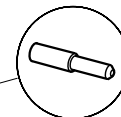
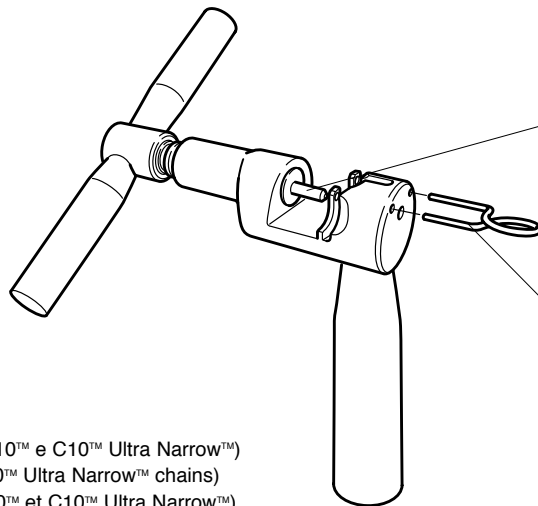
**UT-HU070**

Chiave con esagono da 5,5 mm per raggi ruote  
5,5 mm nut driver for wheel spokes  
Clé à rayons de 5,5 mm  
5,5 mm Nippelspanner

**UT-HU060**

Chiave per raggi ruote Bora™ (fino a gamma '02 - per gamma '03 e succ. vedi pag. 118)  
Bora™ wheel truing tool (till '02 range - from '03 range see page 118)  
Clé à rayons pour Bor™a (jusqu'à la gamme '02 - pour gamme '03 et suivantes p. 118)  
Vierkant-Nippelspanner für Bora™ (bis '02 Produktlinie - ab '03 Produktlinie siehe S. 118)

## **SPROCKETS / CHAIN**



### **UT-CN201**

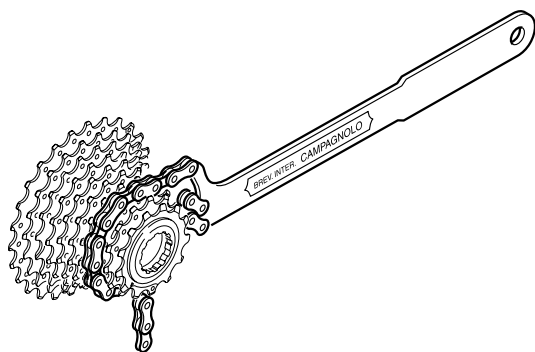
Spintore per UT-CN200  
Pusher for UT-CN200  
Poinçon pour UT-CN200  
Schieber für UT-CN200

### **CAMPY™ UT-CN200**

Utensile per **HD-Link™** (catene C10™ e C10™ Ultra Narrow™)  
Tool for **HD-Link™** (C10™ and C10™ Ultra Narrow™ chains)  
Outil pour **HD-Link™** (chaînes C10™ et C10™ Ultra Narrow™)  
Werkzeug für **HD-Link™** (C10™ und C10™ Ultra Narrow™ Kette)

### **UT-CN202**

Dispositivo di blocco per UT-CN200  
Clamping device for UT-CN200  
Dispositif de blocage pour UT-CN200  
Sperrvorrichtung für UT-CN200



### **UT-CS060**

Chiave con catena 10s per smontaggio pignoni 10s, 9s e 8s  
Spanner with 10s chain for 10, 9 and 8s sprockets  
Fouet à chaîne 10s pour pignons 10s, 9s et 8s  
Zahnkranzabnehmer mit Rennkette 10s für 10-, 9- und 8s Ritzeln

ENGLISH	ITALIANO	FRANCAIS	DEUTSCH
BRAKE HOUSING FERRULES	CAPIGUAINA FRENO	BUTEE DE GAINE FREINS	BREMSZUG-ENDKAPPE
CLINCHER	COPERTONCINO	PNEUS ETROIT	DRAHTREIFEN
COMPATIBLE	COMPATIBILE	COMPATIBLE	KOMPATIBEL
FIXED CLEAT	TACCHETTA SENZA GIOCO	CALES SANS JEU	SCHUHPLATTE OHNE SPIEL
FLOATING CLEAT	TACCHETTA CON GIOCO	CALES AVEC JEU	SCHUHPLATTE MIT SPIEL
FRONT (F)	ANTERIORE	AVANT	VORDER
FRONT HUB	MOZZO ANTERIORE	MOYEU AVANT	VR-NABE
FW BODY	CORPO RL	CORPS RL	FREILAUFKÖRPER
LEFT (L)	SINISTRO	GAUCHE	LINKS
LONG	LUNGO	LONGUE	LANG
MEDIUM	MEDIO	MOYEN	MITTELANG
NOT COMPATIBLE	NON COMPATIBILE	NON COMPATIBLE	NICHT KOMPATIBEL
ONLY	SOLO	SEULEMENT	NUR
PREVIOUS	PRECEDENTE	PRECEDENT	VORHERGEHEND
PRODUCT RANGE	GAMMA PRODOTTI	GAMME PRODUITS	PRODUKTLINIE
REAR (R)	POSTERIORE	ARRIERE	HINTER
REAR HUB	MOZZO POSTERIORE	MOYEU ARRIERE	HR-NABE
RIGHT (R)	DESTRO	DROIT	RECHTS
SHORT	CORTO	COURT	KURZ
SPRING	MOLLA	RESSORT	FEDER
SPACER	DISTANZIALE	ENTRETOISE	DISTANZRINGE
SPOKE	RAGGIO	RAYON	SPEICHE
THREAD	FILETTO	FILETAGE	GEWINDE
TUBULAR	TUBOLARE	BOYAU	SCHLAUCHREIFEN

---

**ITALY - Central Service Center**

---

**CAMPAGNOLO SRL HEADQUARTERS**

Via della Chimica, 4 - 36100 VICENZA

Phone: +39-0444-225605

Fax: +39-0444-225606

E-mail: service@campagnolo.com

---

**AUSTRALIA**

---

**CYCLING PROJECTS**

Shop 1 - 86 King Street,

NSW 2193 Ashbury

Phone: +61-2-97992407

Fax: +61-2-97992107

---

**AUSTRIA**

---

**CAMPAGNOLO DEUTSCHLAND GMBH**

Alte Garten 60-62

51371 LEVERKUSEN - DEUTSCHLAND

Phone: +49-214-206953-20

Fax: +49-214-206953-15

---

**BENELUX**

---

**I.C.C. - INTERNATIONAL CYCLE CONNECTION**

Handelspoort, 3A

4538 BN TERNEUZEN - Netherlands

Phone: +31-115-649321

Fax: +31-115-649110

---

**CANADA**

---

**CYCLES MARINONI INC**

1067, Levis - LACHENAIE - QUEBEC J6W 4L2

Phone: +1-450-4717133

Fax: +1-450-4719887

**GREAT WESTERN BICYCLE CO. LTD.**

232 West 7th Ave.

VANCOUVER BC V5Y 1M1

Phone: +1-604-8722424

Fax: +1-604-87202226

---

**CZECH REPUBLIC**

---

**KOLA SIRER**

V Plzenske Brane 1 - 26601 BEROUN 1

Phone: 00420-311-621355

Fax: 00420-311-625492

---

**DENMARK**

---

**MARKER SCANDINAVIA**

Industrivej 1D - DK-4000

Roskilde - DENMARK

Phone: +45-70228075

Fax: +45-46498088

---

**FINLAND**

---

**MARKER SCANDINAVIA**

Industrivej 1D - DK-4000

Roskilde - DENMARK

Phone: +45-70228075

Fax: +45-46498088

---

**FRANCE**

---

**CAMPAGNOLO FRANCE EURL**

ZA du Tissot - 42530 St Genest - Lerpt

Phone: +33-(0)477-556305

Fax: +33-(0)477-556345

---

**GERMANY**

---

**CAMPAGNOLO DEUTSCHLAND GMBH**

Alte Garten 60-62

51371 LEVERKUSEN - DEUTSCHLAND

Phone: +49-214-206953-20

Fax: +49-214-206953-15

---

**GREECE**

---

**CYCLES FIDUSA - GIORGIO VOYATZIS & CO.**

Th. Sofuli 97 - 85100 RHODOS

Phone: +30-241-021264

Fax: +30-241-021519

---

**JAPAN**

---

**CAMPAGNOLO JAPAN LTD**

65 Yoshida-cho, Naka-ku, Yokohama

231-0041 JAPAN

Phone: +81-45-264-2780

Fax: +81-45-241-8030

---

**NEW ZEALAND**

---

**WH WORRALL CO. LTD.**

43 Felix St./Penrose - P.O. Box 12481

AUCKLAND

Phone: +64-9-6360641

Fax: +64-9-6360631



**NORWAY****MARKER SCANDINAVIA**

Industrivej 1D - DK-4000  
Roskilde - DENMARK  
Phone: +45-70228075  
Fax: +45-46498088

**SINGAPORE****TRIMEN VENTURES PTE LTD**

705 Sims Drive  
#01-16 Shun Li Industrial Complex  
Singapore 387384  
Tel: +65 6354 3030  
Fax: +65 6354 3020

**SLOVAC REPUBLIC****ZANZO S.R.O.**

Kysucky Lieskovec 421  
02334 BRATISLAVA  
Tel. +421-245-523721  
Fax +421-245-249404

**SOUTH AFRICA****CYCLING J&J (PTY) LTD.**

169 Meerlust Street  
Willow Glen - PRETORIA  
Tel. +27-012-8075570  
Fax +27-012-8074267

**SPAIN****CAMPAGNOLO IBERICA S.L.**

Avda. de Los Huetos 46 Pab. 31  
01010 VITORIA  
Phone: +34-945-217195  
Fax: +34-945-217198

**SWEDEN****MARKER SCANDINAVIA**

Industrivej 1D - DK-4000  
Roskilde - DENMARK  
Phone: +45-70228075  
Fax: +45-46498088

**SWITZERLAND****PIERO ZURINO AG**

Flawilerstrasse 3a  
9500 WIL SG  
Phone: +41-71-9236001  
Fax: +41-71-9236353

**U.G.D. SPORT DIFFUSION S.A.**

La Taille - 2053 CERNIER  
Phone: +41-32-8536363  
Fax: +41-32-8536464

**TAIWAN, MAINLAND CHINA,  
VIETNAM****COLMAX INTERNATIONAL LTD**

No. 42, Alley 30, Lane 300  
Section 2, Jhong Hwa S. Road  
Tainan 702, TAIWAN  
Phone: +886-6-265 6001  
Fax: +886-6-265 1388

**UNITED KINGDOM****ITALIAN CYCLE PRODUCTS LIMITED**

Unit 3, Napoleon Business Park  
Wheterby Road - DERBY - DE24 8HL  
Phone: +44-01332-371176  
Fax: +44-01332-371179

**UNITED STATES****CAMPAGNOLO NORTH AMERICA INC.**

5431 Avenida Encinas, Suite C  
CARLSBAD, CA 92008  
Phone: +1-760-9310106  
Fax: +1-760-9310991

**OCHSNER INT. INC.**

246 E. Marquardt Drive  
WHEELING - IL 60090-6430  
Phone: +1-760-9310106  
Fax: +1-760-9310991

**QUALITY BICYCLES PRODUCTS**

6400 W. 105th Street  
BLOOMINGTON - MN 55438-2554  
Phone: +1-952-941-9391  
Fax: +1-952-941-9799

**THE HAWLEY COMPANY, INC.**

1181 South Lake Drive  
LEXINGTON - SC 29073-7744  
Tel. +1-803.359.3492 x 192  
Fax +1-803.359.1343