

Campagnolo®

2006

SPARE PARTS AND TOOLS CATALOGUE

SERIE STERZO • HEADSET • STEUERSATZ • JEU DE DIRECTION

Record™ - Record™ Threadless™ 1" - 1-1/8"	1
Record™ Hiddenset™ 1-1/8" - 1-1/8" TTC	2
Chorus™ - Chorus™ Threadless™	3
Chorus™ Hiddenset™ 1-1/8" - 1-1/8" TTC™ - Centaur™ Hiddenset™ 1-1/8"	4

REGGISSELLA • SEAT POST • SATTELSTÜTZE • TIGE DE SELLE

Record™ Carbon - Chorus™ Carbon - Centaur™	5
--	---

MOVIMENTO CENTRALE • BOTTOM BRACKET • INNENLAGER • JEU DE PEDALIER

Record™ - Chorus™ - Record™ Pista™	6
Centaur™	7
Veloce™ - Mirage™	8

GUARNITURA • CRANKSET • KETTENRADGARNITUR • PEDALIER

Record™ 10s	9
Record™ Carbon 10s	10
Record™ Carbon 10s CT™	11
Record™ Triple 10s	12
Record™ Pista™	13
Chorus™ 10s	14
Chorus™ Carbon 10s	15
Chorus™ Carbon 10s CT™	16
Chorus™ Triple 10s	17
Centaur™ 10s - Centaur™ C-GREY 10s	18
Centaur™ 10s CT™ - Centaur™ C-GREY 10s CT™	19
Centaur™ Carbon 10s	20
Centaur™ Carbon 10s CT™	21
Centaur™ Triple 10s - Centaur™ Triple C-GREY 10s	22
Veloce™ 10s	23
Veloce™ 10s CT™	24
Veloce™ Triple 10s	25
Mirage™ Black 9s	26
Mirage™ Triple Black 9s	28

Xenon™ 9s	29
Xenon™ Triple 9s	30
Time Trial™ chainrings	31

CAMBIO • REAR DERAILLEUR • SCHALTUNG • DERAILLEUR ARRIERE

Record™ 10s	32
Chorus™ 10s	33
Centaur™ 10s	34
Centaur™ C-GREY 10s	35
Veloce™ 10s	36
Mirage™ Black 9s	37
Xenon™ 9s	38

DERAGLIATORE • FRONT DERAILLEUR • UMWERFER • DERAILLEUR AVANT

Record™ 10s	39
Record™ CT™ 10s	40
Chorus™ 10s	41
Chorus™ CT™ 10s	42
Chorus™ CT™ 10s for FLAT-BAR	43
Chorus™ 10s for FLAT-BAR	44
Record™ Triple 10 - Chorus™ Triple 10s	45
Chorus™ Triple for FLAT-BAR 10s	46
Centaur™ 10s - Centaur™ C-GREY 10s	47
Centaur™ CT™ 10s - Centaur™ C-GREY CT™ 10s	48
Centaur™ CT™ 10s for FLAT-BAR - Centaur™ C-GREY CT™ 10s for FLAT-BAR	49
Centaur™ 10s for FLAT-BAR - Centaur™ C-GREY 10s for FLAT-BAR	50
Centaur™ Triple 10s - Centaur™ Triple C-GREY 10s	51
Centaur™ Triple 10s for FLAT-BAR - Centaur™ C-GREY Triple 10s for FLAT-BAR	52
Veloce™ 10s	53
Veloce™ CT 10s	54
Veloce™ 10s for FLAT-BAR	55
Veloce™ CT 10s for FLAT-BAR	56
Veloce™ Triple 10s for FLAT-BAR	57

Veloce™ Triple 10s - Mirage™ Black 9s - Mirage™ Triple Black 9s	58
Mirage™ CT 9s	59
Mirage™ CT 9s for FLAT-BAR	60
Mirage™ Triple Black 9s for FLAT-BAR	61
Xenon™ 9s - Xenon™ Triple 9s	62

ERGOPOWER™

Record™ 10s	63
Chorus™ 10s	64
Centaur™ 10s - Centaur™ C-GREY 10s	65
Veloce™ 10s	66
Mirage™ 9s	67
Xenon™ 9s	68
Ergopowers / rear derailleurs cross compatibility	69

ERGOPOWER™ FLAT-BAR

Chorus™ FB 10s	71
Centaur™ FB 10s - Centaur™ C-GREY FB 10s	72
Veloce™ FB 10s	73
Veloce™ FB 10s for Linear Pull Cantilever brakes	74
Mirage™ FB 9s	75
Mirage™ FB 9s for Linear Pull Cantilever brakes	76

FRENI • BRAKES • BREMSEN • FREINS

Record-D™ “black” - Record-D™ “silver”	77
Chorus-D™	78
Centaur™ - Centaur™ C-GREY	79
Veloce™	80
Veloce™ Linear Pull Cantilever	81
Mirage™ Black	82
Mirage™ Black Linear Pull Cantilever	83
Xenon™	84

BAR-END

Time Trial™ Bar-End	85
---------------------------	----

COMANDI FRENO • BRAKE LEVERS • BREMSHEBEL • POIGNEES DE FREINS

Record™ Carbon	86
----------------------	----

BLOCCAGGI • QUICK RELEASES • SCHNELLSPANNER • BLOCAGES

Record™	87
Chorus™	87
Centaur™	88
Veloce™	88
QF6-20 / QR6-20	89
QF6-30 / QR6-30	89
QF6-40 / QR6-40	89

MOZZI • HUBS • NABEN • MOYEUX

Record™ / Chorus™ / Centaur™ / Centaur™ C-GREY front hub	90
Record™ / Chorus™ / Centaur™ / Centaur™ C-GREY rear hub	91
Veloce™ / Mirage™ front and rear hub	92
Record™ Pista™ front hub	93
Record™ Pista™ rear hub	94

GHIERE • LOCKRINGS • VERSCHLUSSRING • ECROUS

Complete range	95
----------------------	----

PIGNONI • SPROCKETS • RITZEL • CASSETTES

Record™ UD™ 10s	96
Record™ UD™ 10s Titanium	97
Chorus™ UD™ 10s	98

Centaur™ UD™ 10s	99
Veloce™ UD™ 10s	100

PEDALI • PEDALS • PEDALE • PEDALES

Record™ Pro-Fit PLUS	101
Chorus™ Pro-Fit PLUS	101
Centaur™ Pro-Fit PLUS	101
Other spares	102

CAVI E GUAINE • CABLES AND CASINGS • KABEL UND HÜLLEN • CABLES ET GAINES

Complete sets	104
Single parts	105

ERGOBRAIN™

Parts	106
-------------	-----

VARI • VARIOUS • VERSCHIEDENES • DIVERSES

Ergopower™ blocks / 8s adapter kit for 9/10s / HD-Link™ / Wheel bag	108
Original spare parts	109

RUOTE • WHEELS • LAUFRÄDER • ROUES

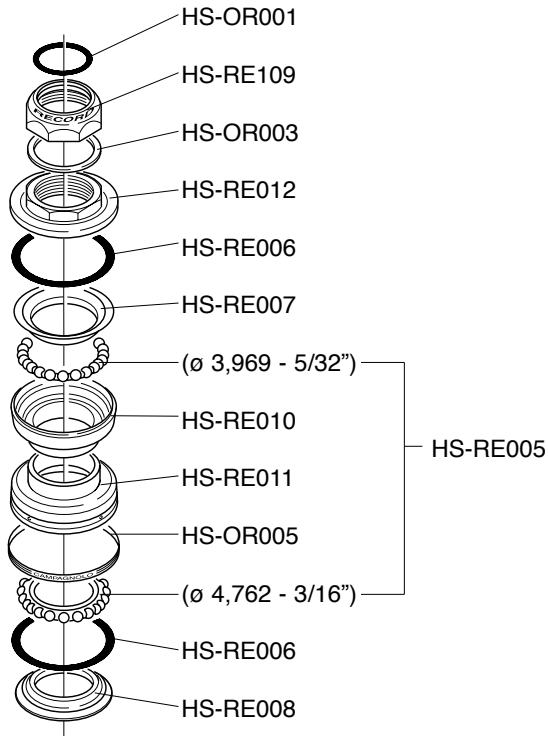
LOW-PROFILE WHEEL - Hyperon™ Ultra™ clincher 9s / 10s	110
LOW-PROFILE WHEEL - Hyperon™ tubular 9s / 10s	111
LOW-PROFILE WHEEL - Neutron™ 9s / 10s	112
LOW-PROFILE WHEEL - Proton™ 9s / 10s	113
MEDIUM-PROFILE WHEEL - Eurus™ clincher 9s / 10s	114
MEDIUM-PROFILE WHEEL - Eurus™ tubular 9s / 10s	115
MEDIUM-PROFILE WHEEL - Zonda™ 9s / 10s	116
MEDIUM-PROFILE WHEEL - Scirocco™ 9s / 10s	117
MEDIUM-PROFILE WHEEL - Vento™ 9s / 10s	118
HIGH-PROFILE WHEEL - Bora™ Ultra™ 9s / 10s	119
HIGH-PROFILE WHEEL - Pista™	120
Bora™ Ultra™ / Hyperon™ tubular / Hyperon™ Ultra™ clincher front hub	121

Bora™ Ultra™ / Hyperon™ tubular / Hyperon™ Ultra™ clincher rear hub	122
Eurus™ / Zonda™ front hub	123
Eurus™ / Zonda™ rear hub	124
Neutron™ front hub	125
Neutron™ rear hub	126
Proton™ front hub	127
Proton™ rear hub	128
Scirocco™ front and rear hub	129
Vento™ front and rear hub	130
Pista™ front hub	131
Pista™ rear hub	132

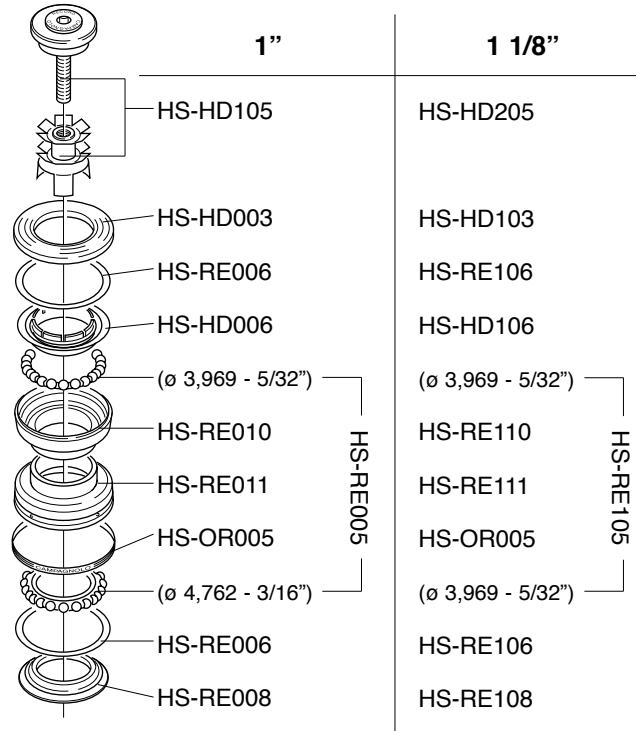
UTENSILI • TOOLS • WERKZEUGE • OUTILS

Recommended tools	133
Headset	134
Bottom bracket	139
Frame preparation	142
Cranks / chainrings	145
Hubs & wheels	147
Sprockets / chains	150
Glossary	151
Service Centers	153

RECORD™
HS00-RE

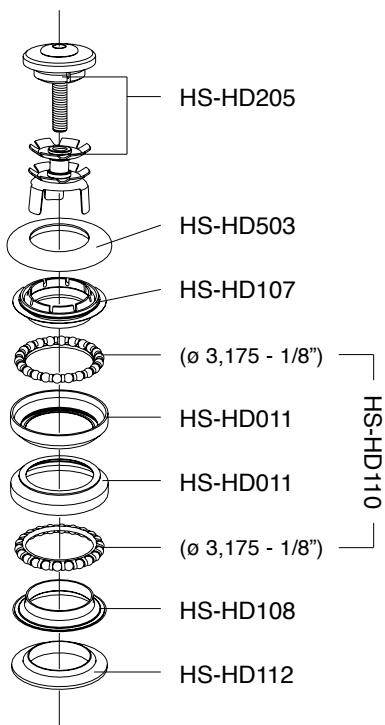


RECORD™ Threadless™
1": HS00-RETH
1 1/8": HS00-RETHOS

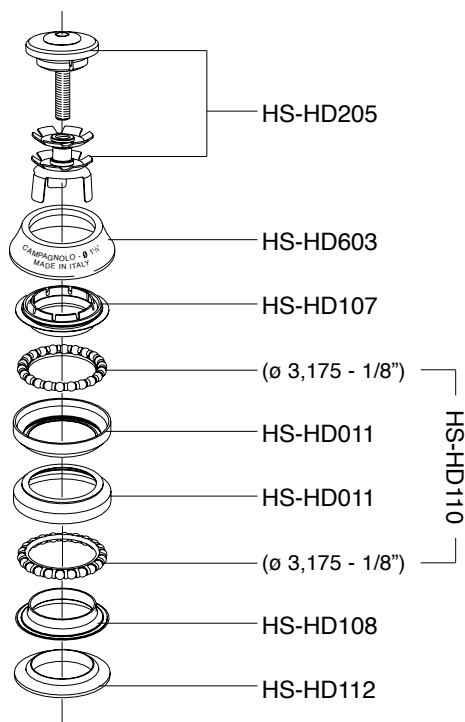


HEADSET

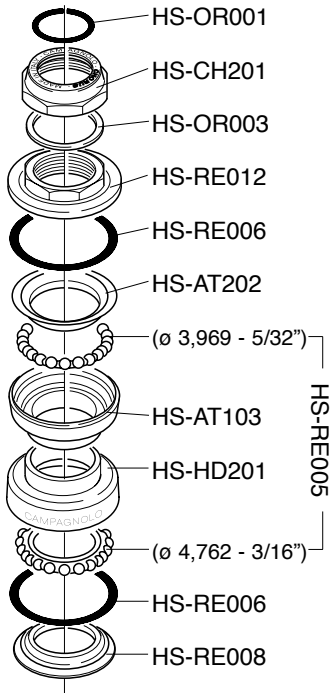
RECORD™
Hiddenset™
1 1/8": HS03-REHIOS



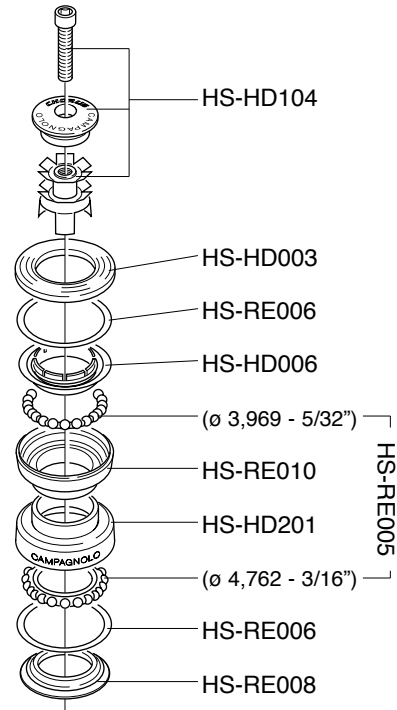
RECORD™
Hiddenset™ TTC™
1 1/8": HS03-REHIOST



**CHORUS™
HS00-CH**



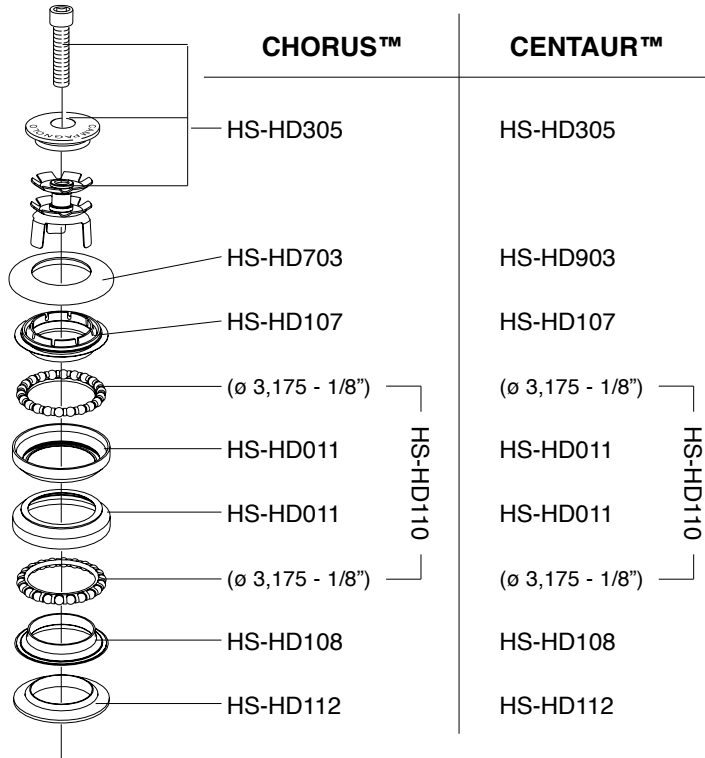
**CHORUS™
THREADLESS™
HS00-CHTH**



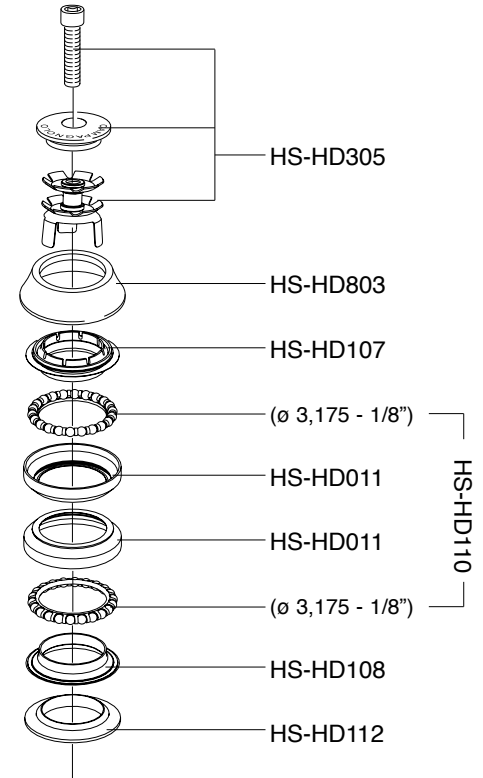
HEADSET

CHORUS™ Hiddenset™
1 1/8": HS03-CHHIOS

CENTAUR™ Hiddenset™
1 1/8": HS4-CEH8



CHORUS™ Hiddenset™
TTC™
1 1/8": HS03-CHHIOST



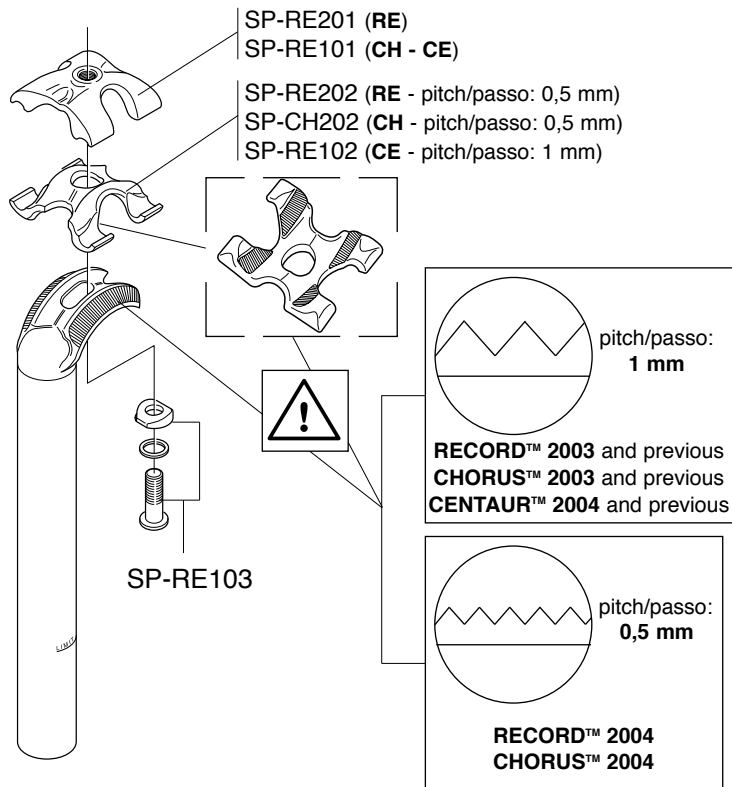
RECORD™

Carbon
SP4-RE27C
SP4-RE31CL
SP4-RE32CL

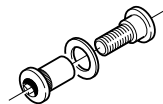
CHORUS™

Carbon
SP4-CH27C
SP4-CH31CL
SP4-CH32CL

CENTAUR™
SP4-CE27



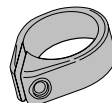
5-SP-RE104 (5 pcs.)
50-SP-RE104 (50 pcs.)



SP-RE106 (1 pc.)
5-SP-RE106 (5 pcs.)
per tubi Ø 31,6 / 31,9 mm
for tubes Ø 31,6 / 31,9 mm

SP-RE108 (1 pc.)
5-SP-RE108 (5 pcs.)
per tubi Ø 34,9 / 35,2 mm
for tubes Ø 34,9 / 35,2 mm

SP-RE107 (1 pc.)
5-SP-RE107 (5 pcs.)
per tubi Ø 35,5 / 35,8 mm
for tubes Ø 35,5 / 35,8 mm



! WARNING!

With the 2004 product range the pitch of all the heads (5 - Fig. 1) on the RECORD™ and CHORUS™ seat post tubes and the relevant seat clamps (1 - Fig. 1) has been reduced from 1 mm to 0.5 mm. A seat clamp (1 - Fig. 1) with 0.5 mm pitch is not compatible with heads (5 - Fig. 1) with a 1-mm pitch and vice versa. NEVER use seat clamps and heads that are not compatible with one another; the seat clamp could slip causing you to lose control of your bicycle, resulting in an accident, personal injury or death.

! ATTENZIONE!

A partire dalla gamma 2004 è stato dimezzato il passo (da 1 mm a 0,5 mm) di tutte le teste (5 - Fig. 1) e delle relative staffe inferiori (1 - Fig. 1) dei reggisella RECORD™ e CHORUS™. Una staffa (1 - Fig. 1) con passo da 0,5 mm non è compatibile con le teste (5 - Fig. 1) con passo da 1 mm e viceversa. Non utilizzate MAI staffe e teste non compatibili tra loro; la staffa potrebbe slittare e potreste incorrere in incidenti, lesioni fisiche o morte.

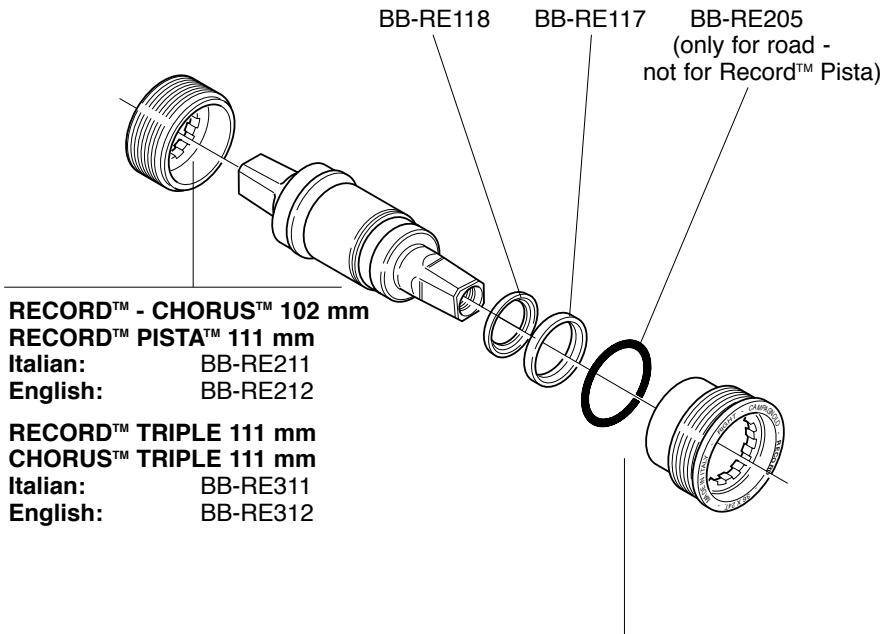
RECORD™ 102 mm
BB99-RE02IT
BB99-RE02BC

RECORD™ TRIPLE
 111 mm
 asymmetrical
BB02-RE11IT
BB02-RE11BC

CHORUS™ TRIPLE
 111 mm
 asymmetrical
BB03-CH11IT
BB03-CH11BC

CHORUS™ 102 mm
BB99-CH02IT
BB99-CH02BC

RECORD™ PISTA™
 111 mm
BB01-REPIIT
BB01-REPIBC



RECORD™ - CHORUS™ 102 mm
RECORD™ PISTA™ 111 mm
 Italian: BB-RE211
 English: BB-RE212

RECORD™ TRIPLE 111 mm
CHORUS™ TRIPLE 111 mm
 Italian: BB-RE311
 English: BB-RE312

RECORD™ 102 mm / **RECORD™ PISTA™** 111 mm
 Italian: BB-RE213
 English: BB-RE214

RECORD™ TRIPLE 111 mm
 Italian: BB-RE313
 English: BB-RE314

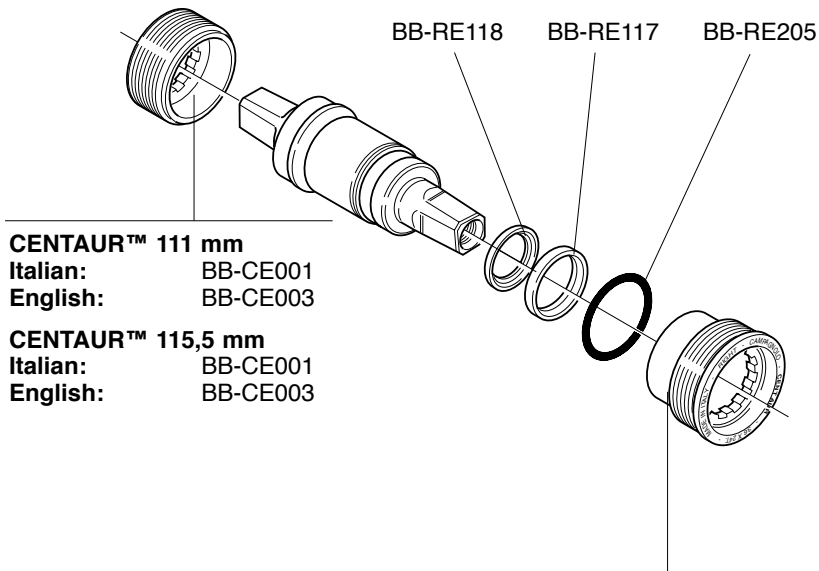
CHORUS™ TRIPLE 111 mm
 Italian: BB-CH313
 English: BB-CH314

CHORUS™ 102 mm
 Italian: BB-CH213
 English: BB-CH214

CENTAUR™

111 mm
BB5-CE1I
BB5-CE1G

115,5 mm
BB6-CE5I
BB6-VE5G



CENTAUR™ 111 mm
Italian: BB-CE001
English: BB-CE003

CENTAUR™ 115,5 mm
Italian: BB-CE001
English: BB-CE003

CENTAUR™ 111 mm
Italian: BB-CE002
English: BB-CE004

CENTAUR™ 115,5 mm
Italian: BB-CE102
English: BB-CE104

VELOCE™

111 mm
BB6-VL1I
BB6-VL1G

115,5 mm
BB6-VL5I
BB6-VL5G

MIRAGE™

111 mm
BB6-MI1I
BB6-MI1G

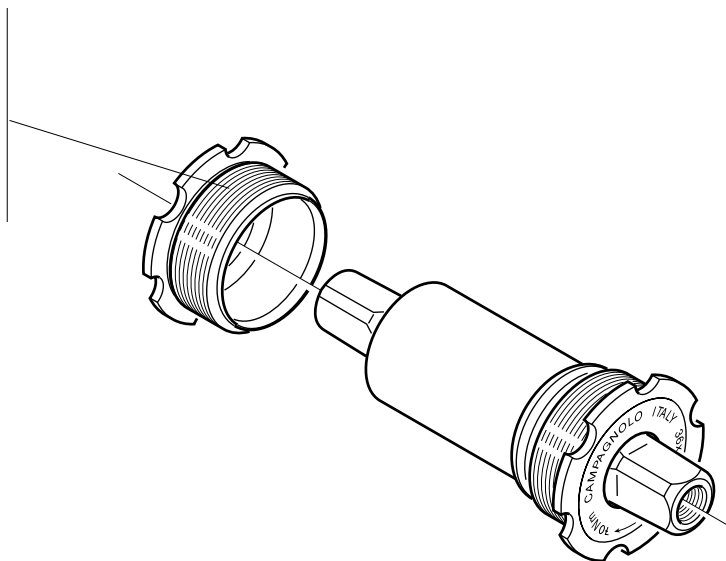
115,5 mm
BB6-MI5I
BB6-MI5G

ITALIAN:

BB-VL101 (VELOCE™)
BB-MI101 (MIRAGE™)

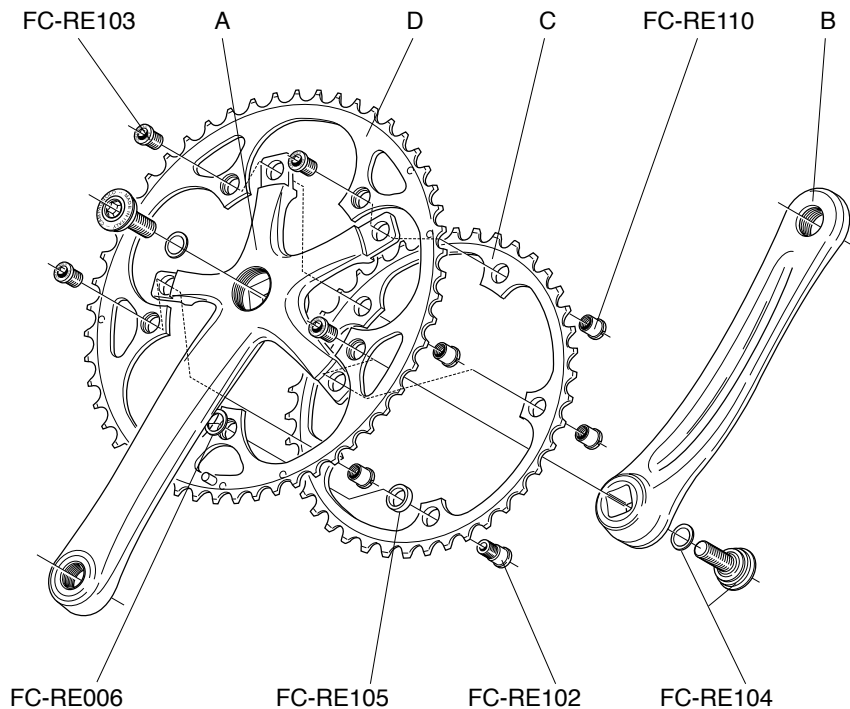
ENGLISH:

BB-VL103 (VELOCE™)
BB-MI103 (MIRAGE™)



RECORD™ 10s
FC4-RE...X

A	170 mm	FC-RE960
	172,5 mm	FC-RE962
	175 mm	FC-RE964
	177,5 mm	FC-RE966
	180 mm	FC-RE968
B	170 mm	FC-RE961
	172,5 mm	FC-RE963
	175 mm	FC-RE965
	177,5 mm	FC-RE967
	180 mm	FC-RE969
C	Z39	FC-RE139
	Z42	FC-RE342
D	Z52 for 39	FC-RE752
	Z52 for 42	FC-RE852
	Z53 for 39	FC-RE553



CRANKSET

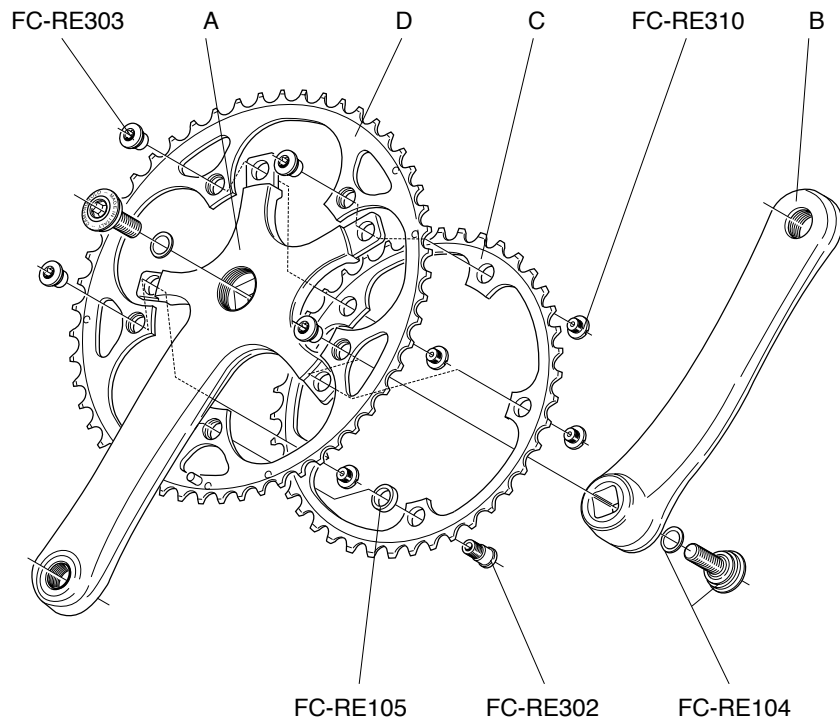
RECORD™
Carbon 10s
FC4-RE...C

A	170 mm	FC-RE860C
	172,5 mm	FC-RE862C
	175 mm	FC-RE864C

B	170 mm	FC-RE861C
	172,5 mm	FC-RE863C
	175 mm	FC-RE865C

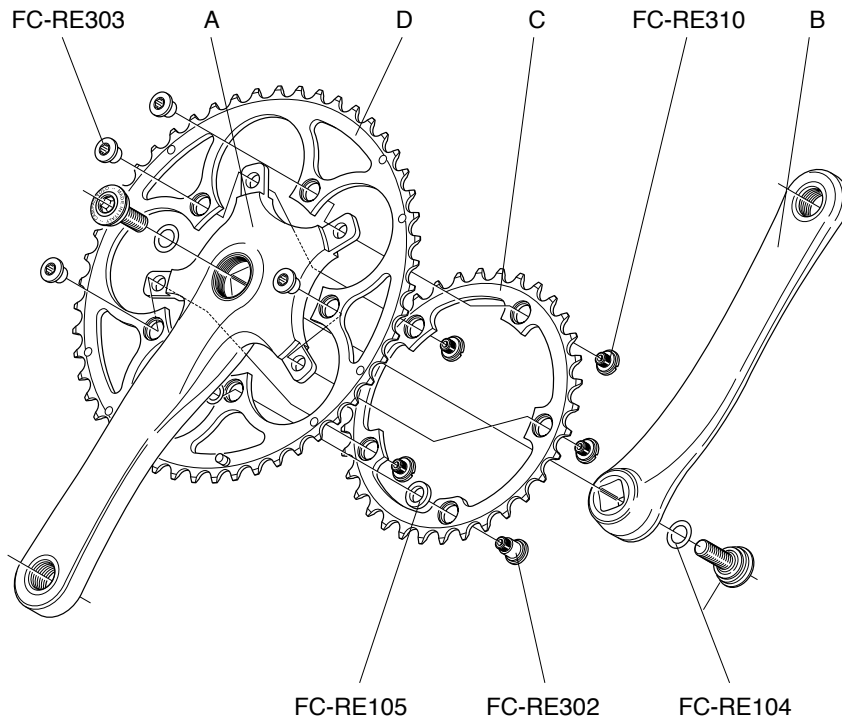
C	Z39	FC-RE139
	Z42	FC-RE342

D	Z52 for 39	FC-RE752
	Z52 for 42	FC-RE852
	Z53 for 39	FC-RE553



RECORD™
Carbon 10s CT™
FC5-RE...C

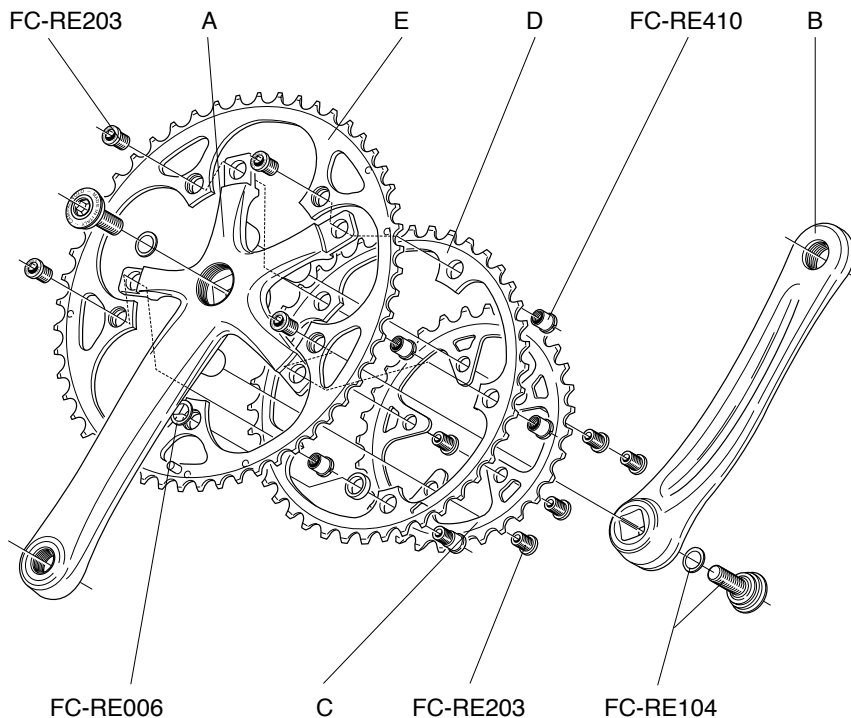
A	170 mm	FC-RE930C
	172,5 mm	FC-RE932C
	175 mm	FC-RE934C
B	170 mm	FC-RE861C
	172,5 mm	FC-RE863C
	175 mm	FC-RE865C
C	Z34	FC-RE034
	Z36	FC-RE036
D	Z48 for 34	FC-RE048
	Z50 for 34	FC-RE250
	Z50 for 36	FC-RE350



CRANKSET

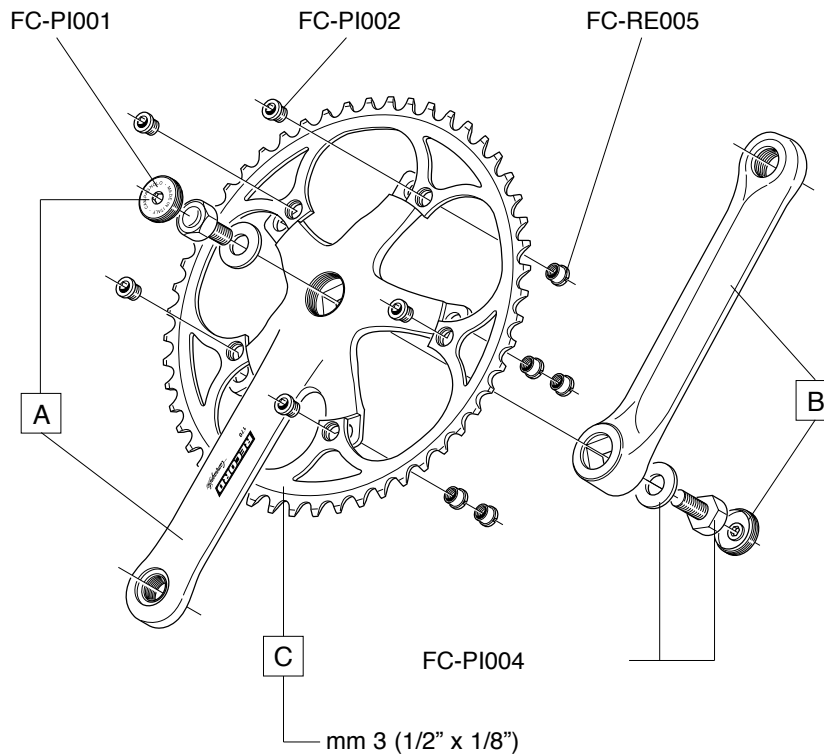
RECORD™
TRIPLE 10s
FC4-RE....X

A	170 mm	FC-RE970
	172,5 mm	FC-RE972
	175 mm	FC-RE974
B	170 mm	FC-RE971
	172,5 mm	FC-RE973
	175 mm	FC-RE975
C	Z30	FC-RE130
D	Z40 for 30	FC-RE140
	Z42 for 30	FC-RE642
E	Z50 for 40	FC-RE150
	Z53 for 42	FC-RE653



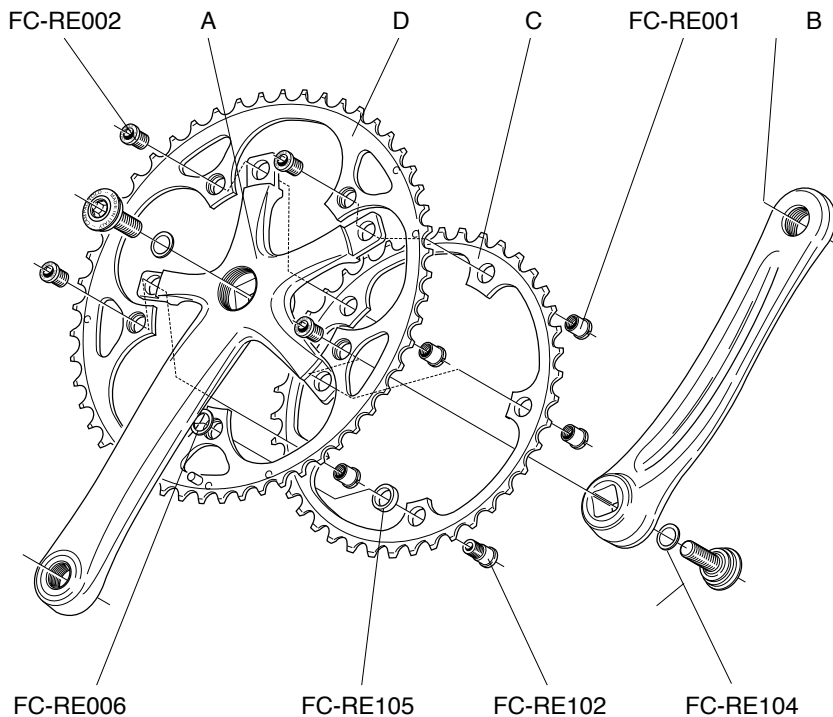
RECORD™
PISTA™
FC01-REPL...

A	165 mm	FC-PI365
	170 mm	FC-PI370
B	165 mm	FC-PI465
	170 mm	FC-PI470
C	Z47	FC-PI047
	Z48	FC-PI048
	Z49	FC-PI049
	Z50	FC-PI050
	Z51	FC-PI051
	Z52	FC-PI052



CHORUS™ 10s **FC4-CH...X**

A	170 mm	FC-CH020
	172,5 mm	FC-CH022
	175 mm	FC-CH024
B	170 mm	FC-CH021
	172,5 mm	FC-CH023
	175 mm	FC-CH025
C	Z39	FC-RE039
	Z42	FC-RE142
D	Z52 for 39	FC-RE652
	Z52 for 42	FC-RE552
	Z53 for 39	FC-RE453



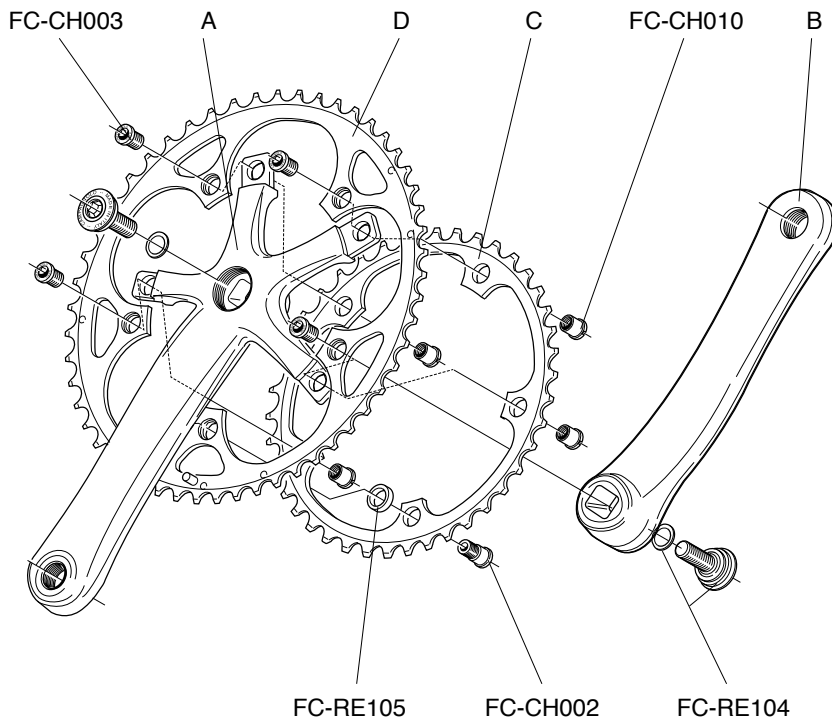
CHORUS™
Carbon 10s
FC4-CH...C

A	170 mm	FC-CH870C
	172,5 mm	FC-CH872C
	175 mm	FC-CH874C

B	170 mm	FC-CH871C
	172,5 mm	FC-CH873C
	175 mm	FC-CH875C

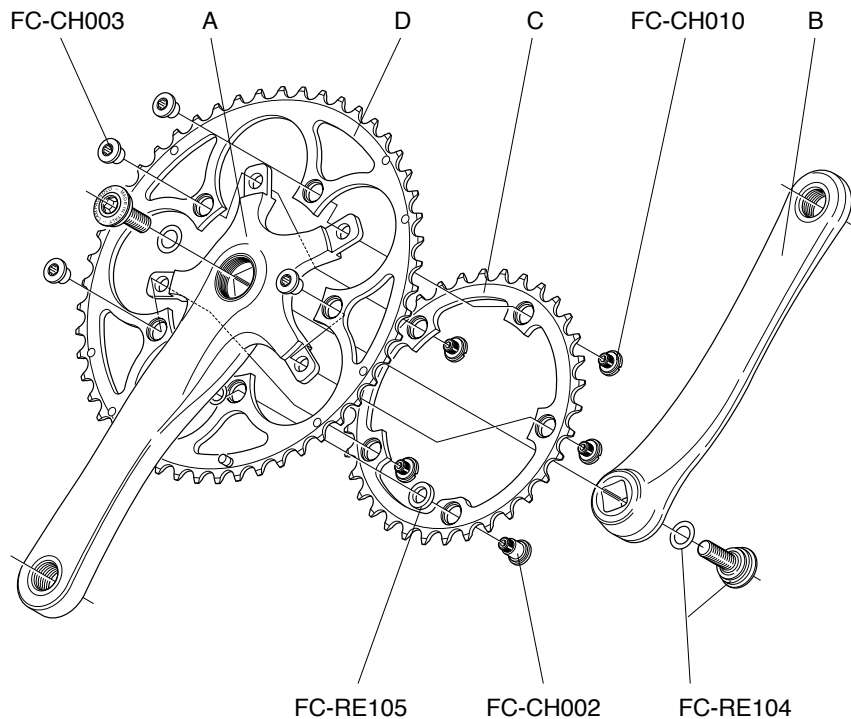
C	Z39	FC-RE039
	Z42	FC-RE142

D	Z52 for 39	FC-RE652
	Z52 for 42	FC-RE552
	Z53 for 39	FC-RE453



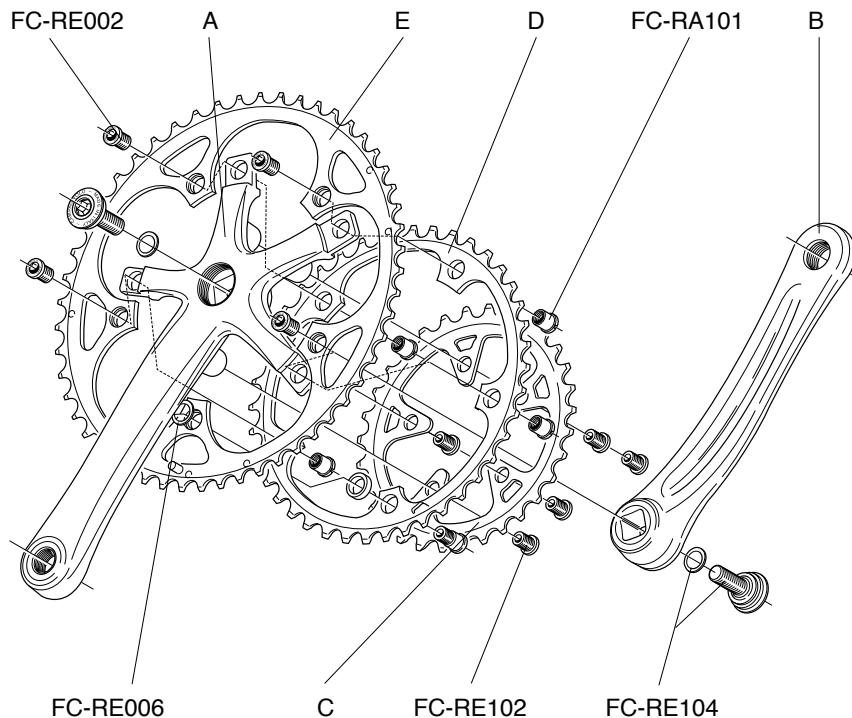
CHORUS™
Carbon 10s CT
FC5-CH...C

A	170 mm	FC-CH940C
	172,5 mm	FC-CH942C
	175 mm	FC-CH944C
B	170 mm	FC-CH871C
	172,5 mm	FC-CH873C
	175 mm	FC-CH875C
C	Z34	FC-CH134
	Z36	FC-CH036
D	Z48 for 34	FC-CH048
	Z50 for 34	FC-CH050
	Z50 for 36	FC-CH150



CHORUS™
TRIPLE 10s
FC4-CH....X

A	170 mm	FC-CH030
	172,5 mm	FC-CH032
	175 mm	FC-CH034
B	170 mm	FC-CH031
	172,5 mm	FC-CH033
	175 mm	FC-CH035
C	Z30	FC-RE030
D	Z40 for 30	FC-RE040
	Z42 for 30	FC-RE442
E	Z50 for 40	FC-RE050
	Z53 for 42	FC-RE053

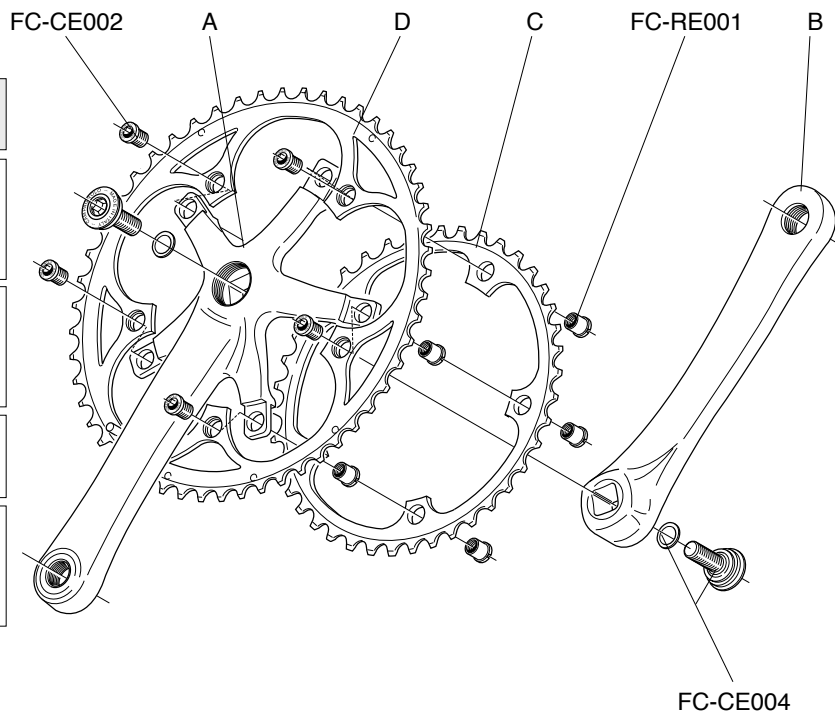


CRANKSET

CENTAUR™ 10s
FC4-CE...X

CENTAUR™ CENTURY GREY™ 10s
FC4-CEG...X

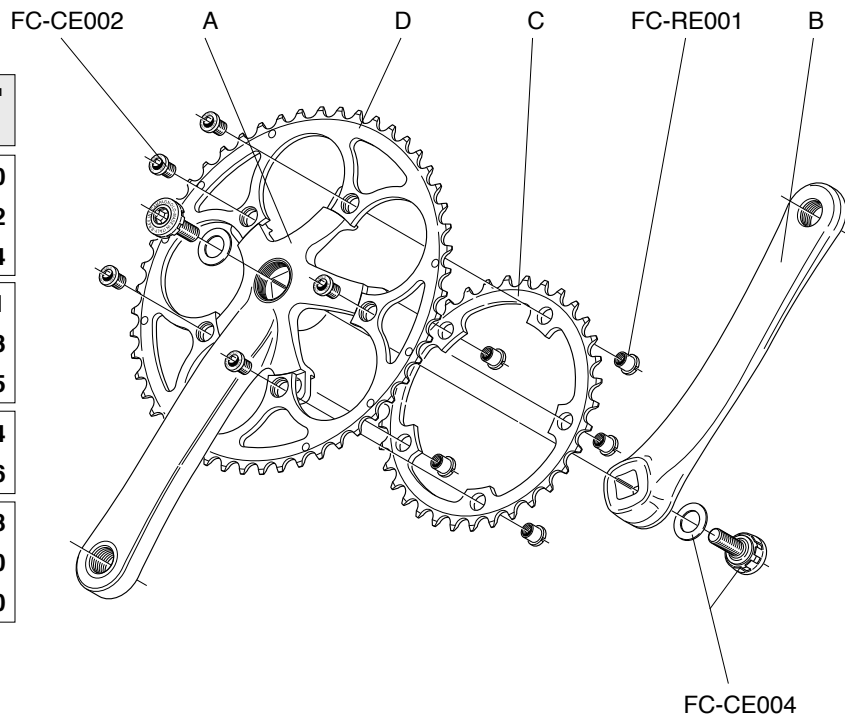
		CENTAUR™	CENTAUR™ C-GREY
A	170 mm	FC-CE920	FC-CEG910
	172,5 mm	FC-CE922	FC-CEG912
	175 mm	FC-CE924	FC-CEG914
B	170 mm	FC-CE921	FC-CEG911
	172,5 mm	FC-CE923	FC-CEG913
	175 mm	FC-CE925	FC-CEG915
C	Z39	FC-RE039	FC-CEG039
	Z42	FC-RE142	FC-CEG042
D	Z52 for 39	FC-CH252	FC-CEG052
	Z52 for 42	FC-CH452	FC-CEG152
	Z53 for 39	FC-CH253	FC-CEG053



CENTAUR™ CT™ 10s
FC6-CE...

CENTAUR™ CENTURY GREY CT™ 10s
FC6-CEG...

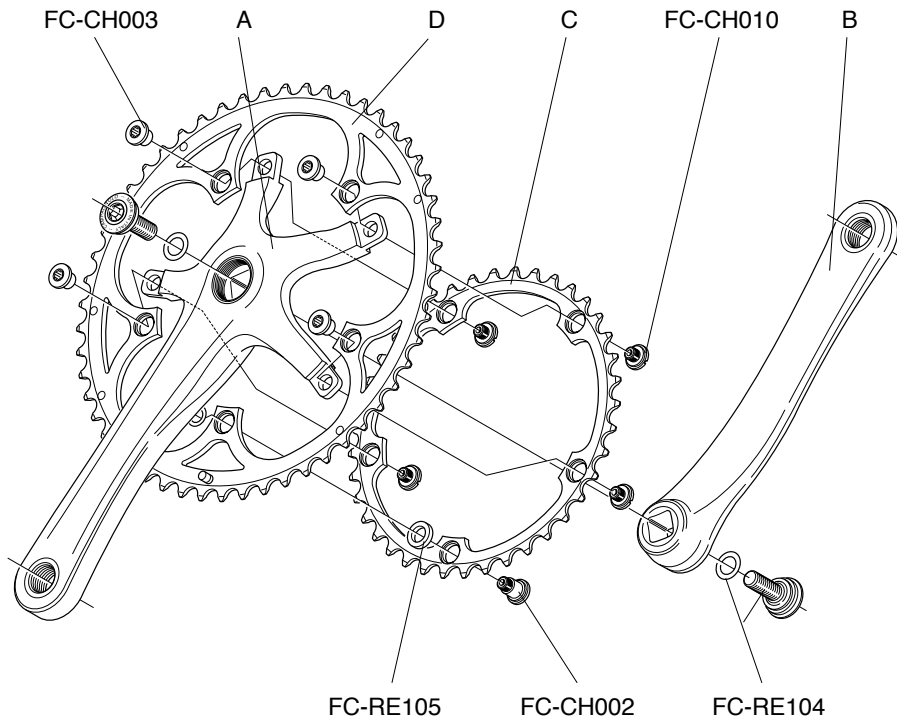
		CENTAUR™	CENTAUR™ C-GREY
A	170 mm	FC-CE200	FC-CEG190
	172,5 mm	FC-CE202	FC-CEG192
	175 mm	FC-CE204	FC-CEG194
B	170 mm	FC-CE921	FC-CEG911
	172,5 mm	FC-CE923	FC-CEG913
	175 mm	FC-CE925	FC-CEG915
C	Z34	FC-CE034	FC-CEG034
	Z36	FC-CE036	FC-CEG036
D	Z48 for 34	FC-CE048	FC-CEG048
	Z50 for 34	FC-CE150	FC-CEG150
	Z50 for 36	FC-CE250	FC-CEG250



CRANKSET

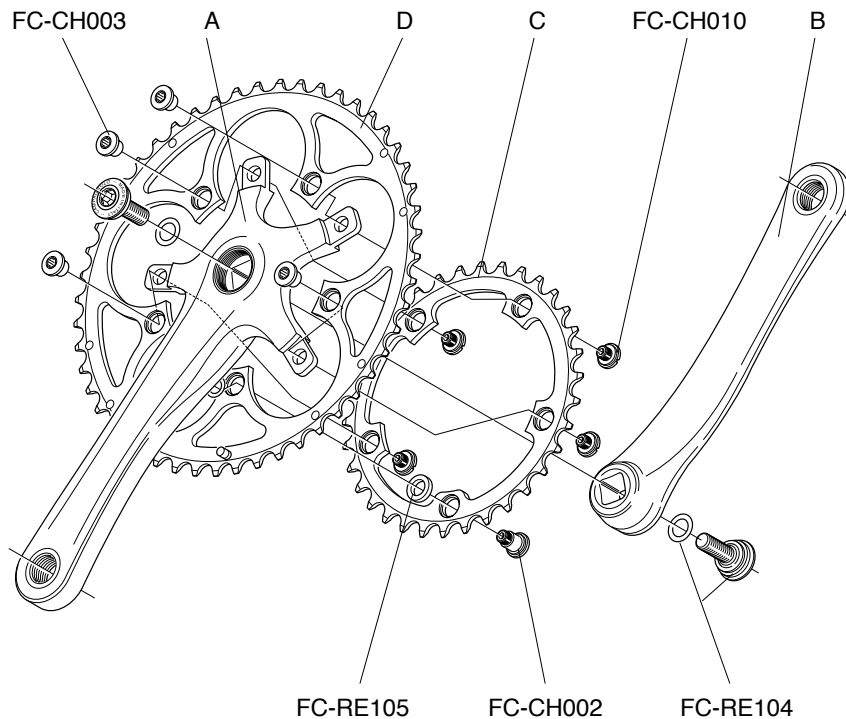
CENTAUR™
Carbon 10s
FC5-CE...C

A	170 mm	FC-CE992C
	172,5 mm	FC-CE994C
	175 mm	FC-CE996C
B	170 mm	FC-CE993C
	172,5 mm	FC-CE995C
	175 mm	FC-CE997C
C	Z39	FC-RE039
	Z42	FC-RE142
D	Z52 for 39	FC-RE652
	Z52 for 42	FC-RE552
	Z53 for 39	FC-RE453



CENTAUR™
Carbon 10s CT™
FC5-CE...C

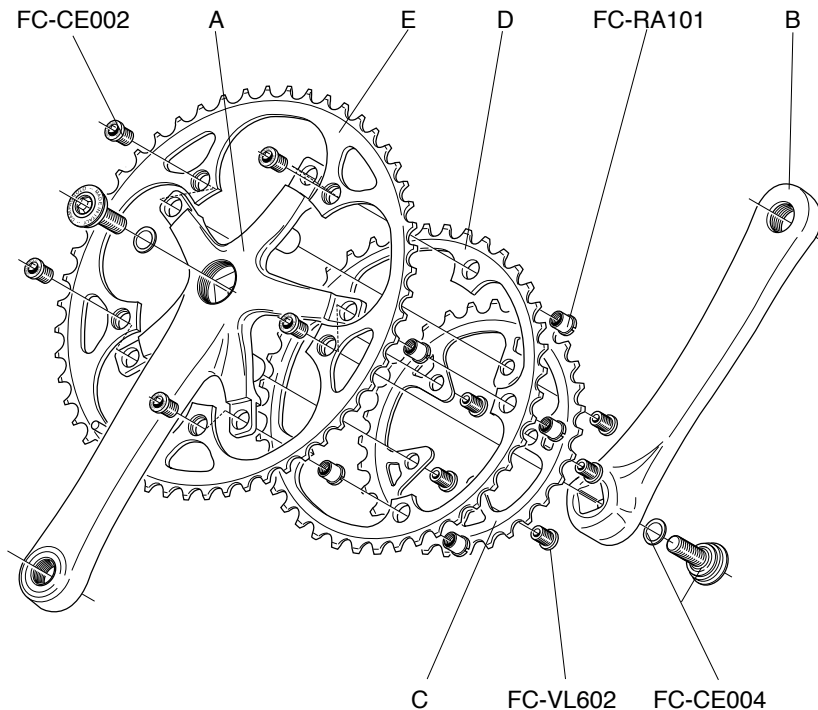
A	170 mm	FC-CE040C
	172,5 mm	FC-CE042C
	175 mm	FC-CE044C
B	170 mm	FC-CE993C
	172,5 mm	FC-CE995C
	175 mm	FC-CE997C
C	Z34	FC-CH134
	Z36	FC-CH036
D	Z48 for 34	FC-CH048
	Z50 for 34	FC-CH050
	Z50 for 36	FC-CH150



CENTAUR™ TRIPLE 10s
FC4-CE....X

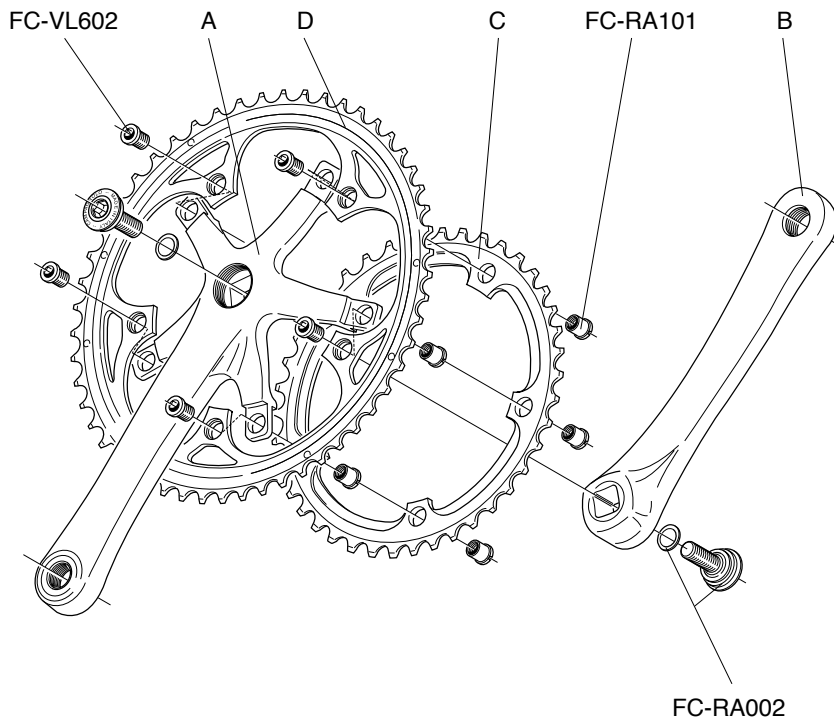
CENTAUR™ TRIPLE CENTURY GREY™ 10s
FC4-CEG....X

		CENTAUR™	CENTAUR™ C-GREY
A	170 mm	FC-CE950	FC-CEG916
	175 mm	FC-CE952	FC-CEG918
B	170 mm	FC-CE951	FC-CEG917
	175 mm	FC-CE953	FC-CEG919
C	Z30	FC-RE030	FC-CEG030
D	Z40 for 30	FC-CE040	FC-CEG040
	Z42 for 30	FC-CE042	FC-CEG142
E	Z50 for 40	FC-CE050	FC-CEG050
	Z53 for 42	FC-CE053	FC-CEG153



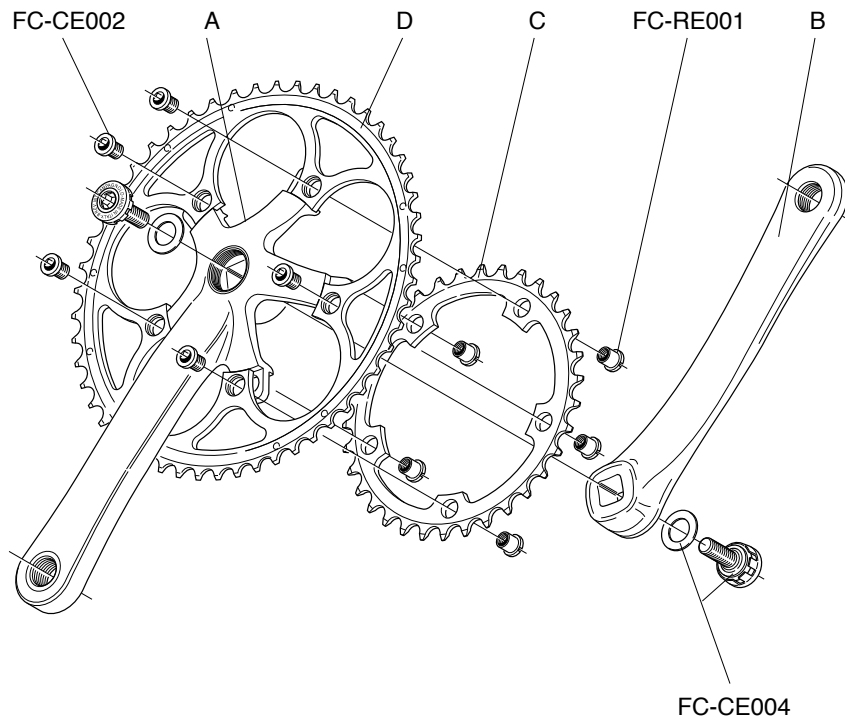
VELOCE™ 10s
FC4-VL...X

A	170 mm	FC-VL852
	172,5 mm	FC-VL854
	175 mm	FC-VL856
B	170 mm	FC-VL853
	172,5 mm	FC-VL855
	175 mm	FC-VL857
C	Z39	FC-VL039
	Z42	FC-VL242
D	Z52 for 42	FC-VL252
	Z53 for 39	FC-VL053



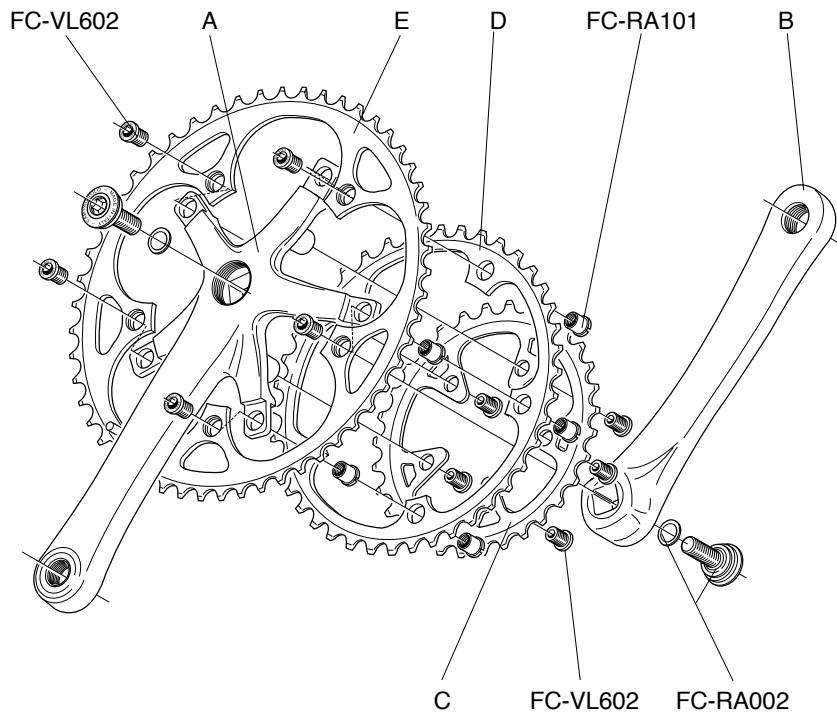
VELOCE™
10s CT™
FC6-VL...

A	170 mm	FC-VL206
	172,5 mm	FC-VL208
	175 mm	FC-VL210
B	170 mm	FC-VL853
	172,5 mm	FC-VL855
	175 mm	FC-VL857
C	Z34	FC-VL034
D	Z48 for 34	FC-VL048
	Z50 for 34	FC-VL050



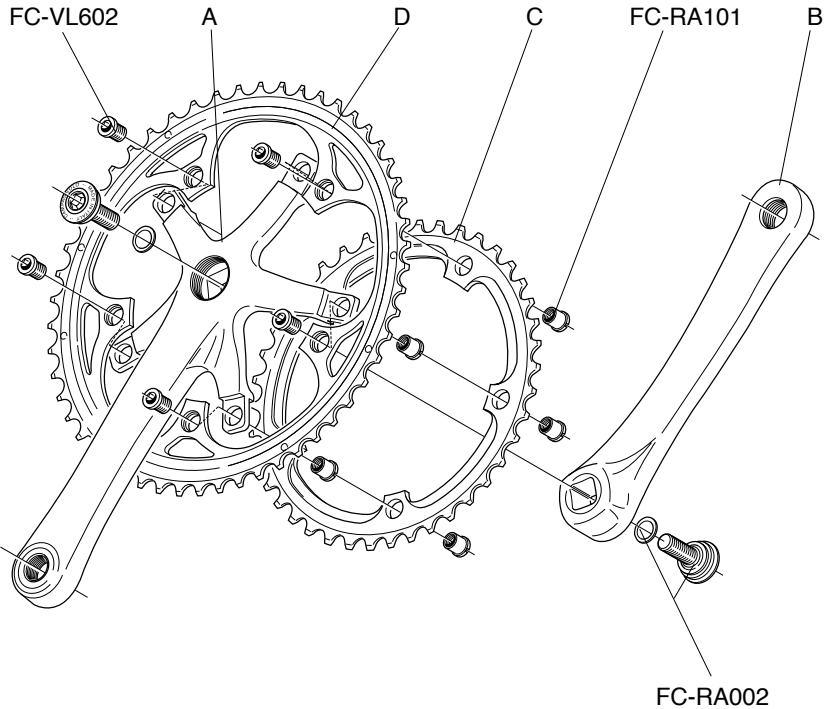
VELOCE™ TRIPLE
10s
FC4-VL....X

A	170 mm	FC-VL880
	175 mm	FC-VL882
B	170 mm	FC-VL881
	175 mm	FC-VL883
C	Z30	FC-VL030
D	Z42 for 30	FC-VL342
E	Z52 for 42	FC-VL252



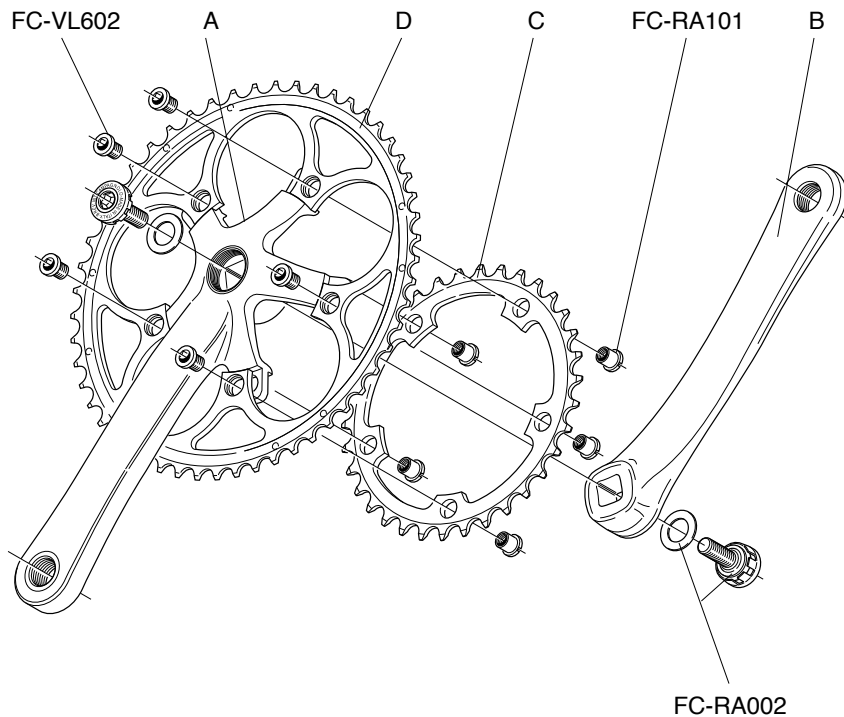
MIRAGE™ BLACK
95
FC4-MIB...

A	170 mm	FC-MIB894
	172,5 mm	FC-MIB896
	175 mm	FC-MIB898
B	170 mm	FC-MIB895
	172,5 mm	FC-MIB897
	175 mm	FC-MIB899
C	Z39	FC-MIB039
	Z42	FC-MIB042
D	Z52 for 42	FC-MIB052
	Z53 for 39	FC-MIB053



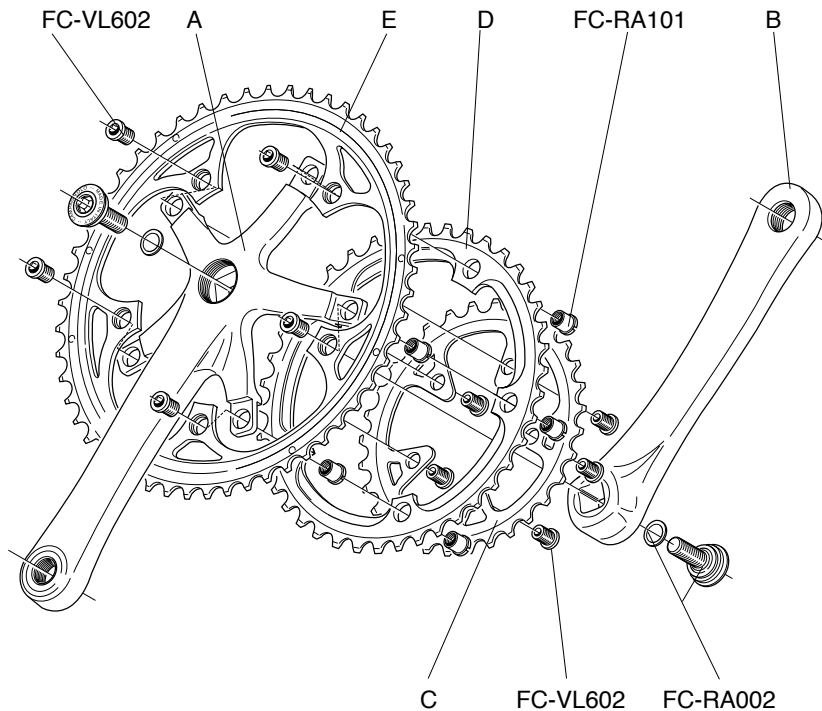
MIRAGE™
9s CT™
FC6-MIB...

A	170 mm	FC-MIB212
	172,5 mm	FC-MIB214
	175 mm	FC-MIB216
B	170 mm	FC-MIB895
	172,5 mm	FC-MIB897
	175 mm	FC-MIB899
C	Z34	FC-MIB034
D	Z48 for 34	FC-MIB048
	Z50 for 34	FC-MIB050



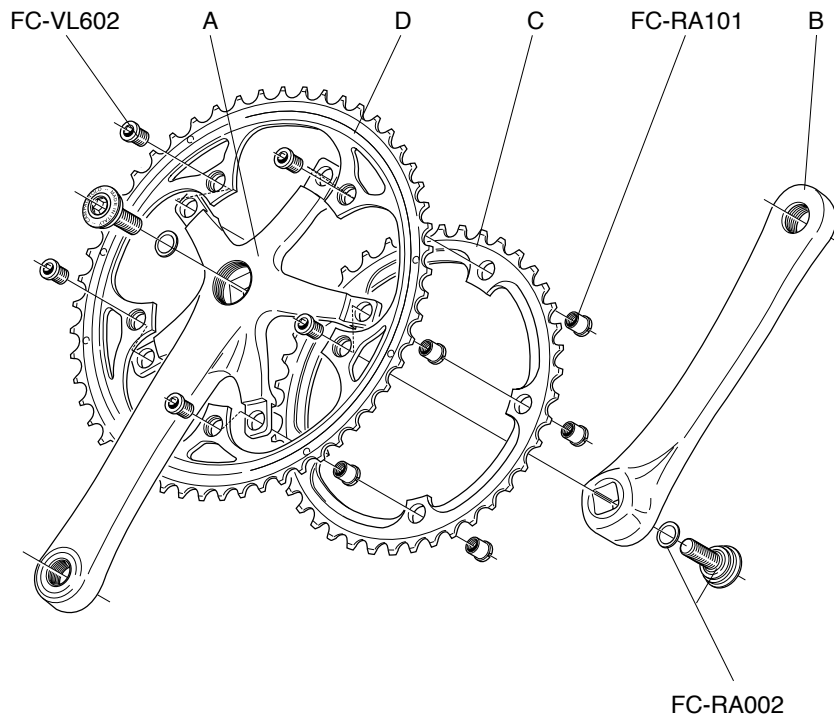
**MIRAGE™ TRIPLE
BLACK 95
FC4-MIB....**

A	170 mm	FC-MIB900
	175 mm	FC-MIB902
B	170 mm	FC-MIB901
	175 mm	FC-MIB903
C	Z30	FC-MIB030
D	Z42 for 30	FC-MIB142
E	Z52 for 42	FC-MIB052



XENON™ 9s
FC02-XE...

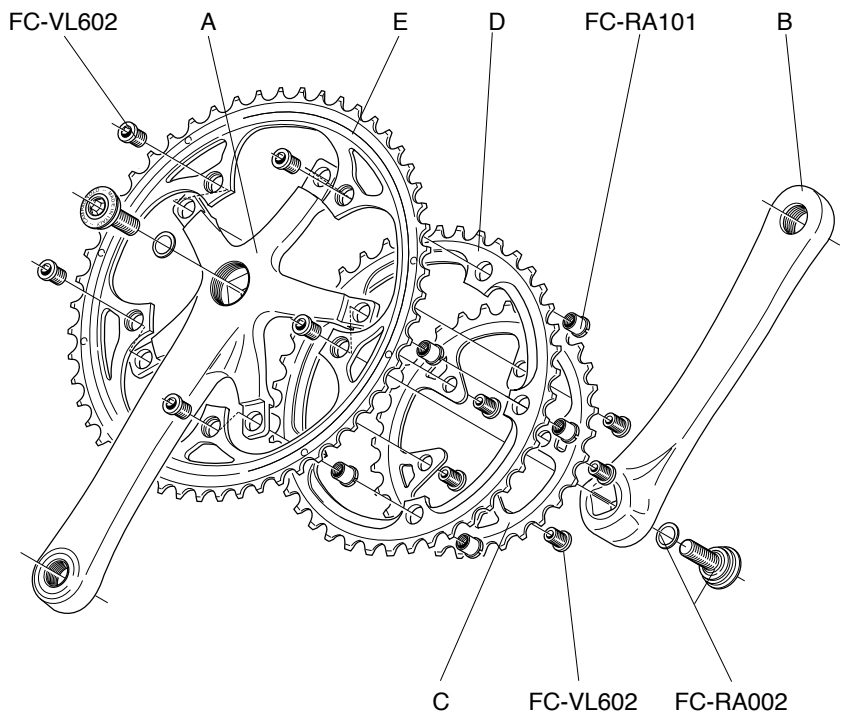
A	170 mm	FC-XE800
	175 mm	FC-XE804
B	170 mm	FC-XE801
	175 mm	FC-XE805
C	Z39	FC-MI139
D	Z52 for 39	FC-XE052



CRANKSET

XENON™ TRIPLE 9s FC02-XE....

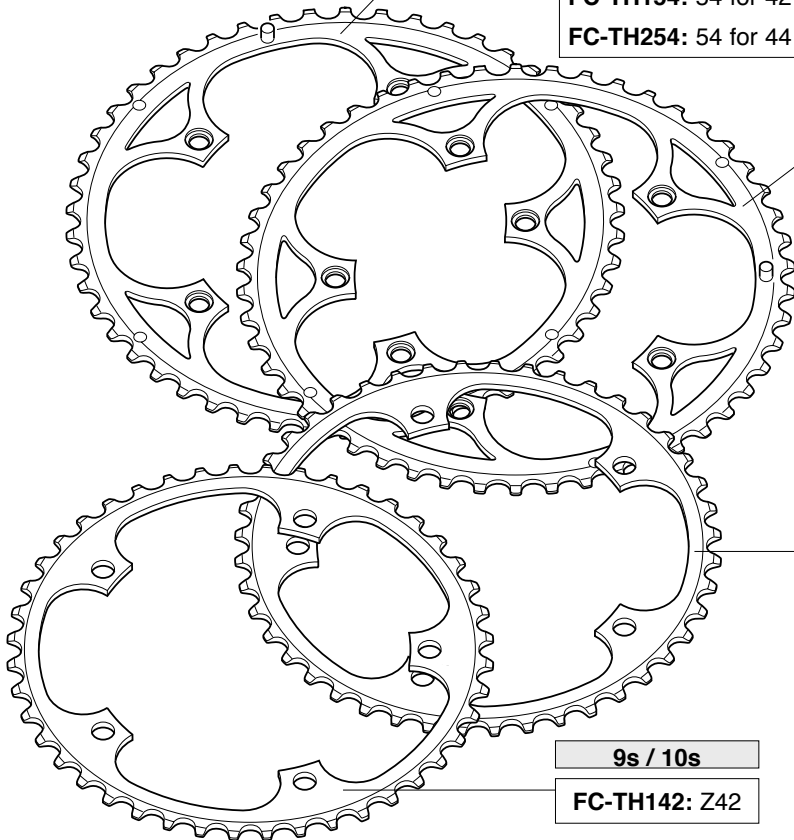
A	170 mm	FC-XE806
	175 mm	FC-XE808
B	170 mm	FC-XE807
	175 mm	FC-XE809
C	Z30	FC-MI030
D	Z42 for 30	FC-XE142
E	Z52 for 42	FC-XE252



**TIME TRIAL™
CHAINRINGS**

9s	RECORD™ 10s	CHORUS™ 10s
FC-TH155: 55 for 42	FC-RETH155: 55 for 42	FC-CHTH155: 55 for 42
FC-TH255: 55 for 44	FC-RETH255: 55 for 44	FC-CHTH255: 55 for 44

9s	RECORD™ 10s	CHORUS™ 10s
FC-TH154: 54 for 42	FC-RETH154: 54 for 42	FC-CHTH154: 54 for 42
FC-TH254: 54 for 44	FC-RETH254: 54 for 44	FC-CHTH254: 54 for 44



9s / 10s
FC-TH144: Z44

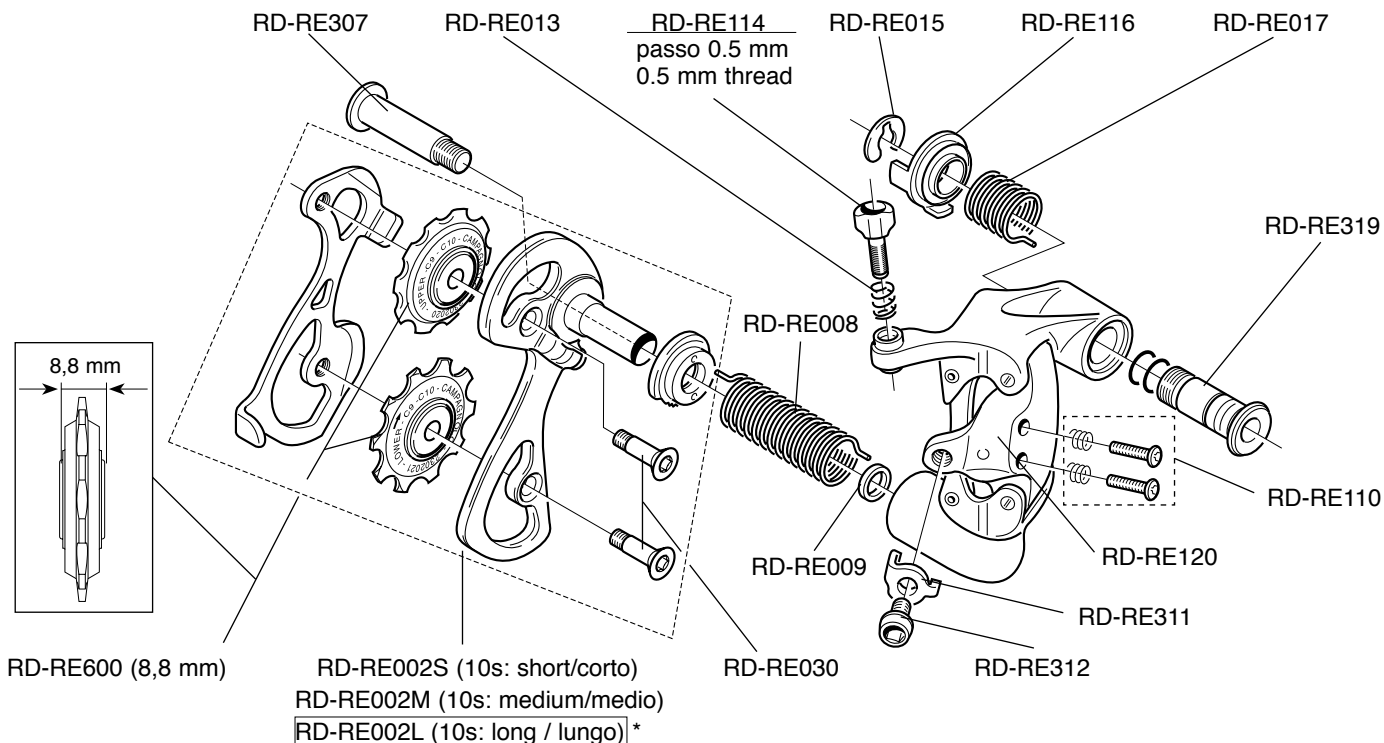
9s / 10s
FC-TH142: Z42

RECORD™ 10s

RD4-REXS

RD4-REXM

RD4-REXL



* solo per RD4-REXL - non compatibile con RD4-REXS e RD4-REXM

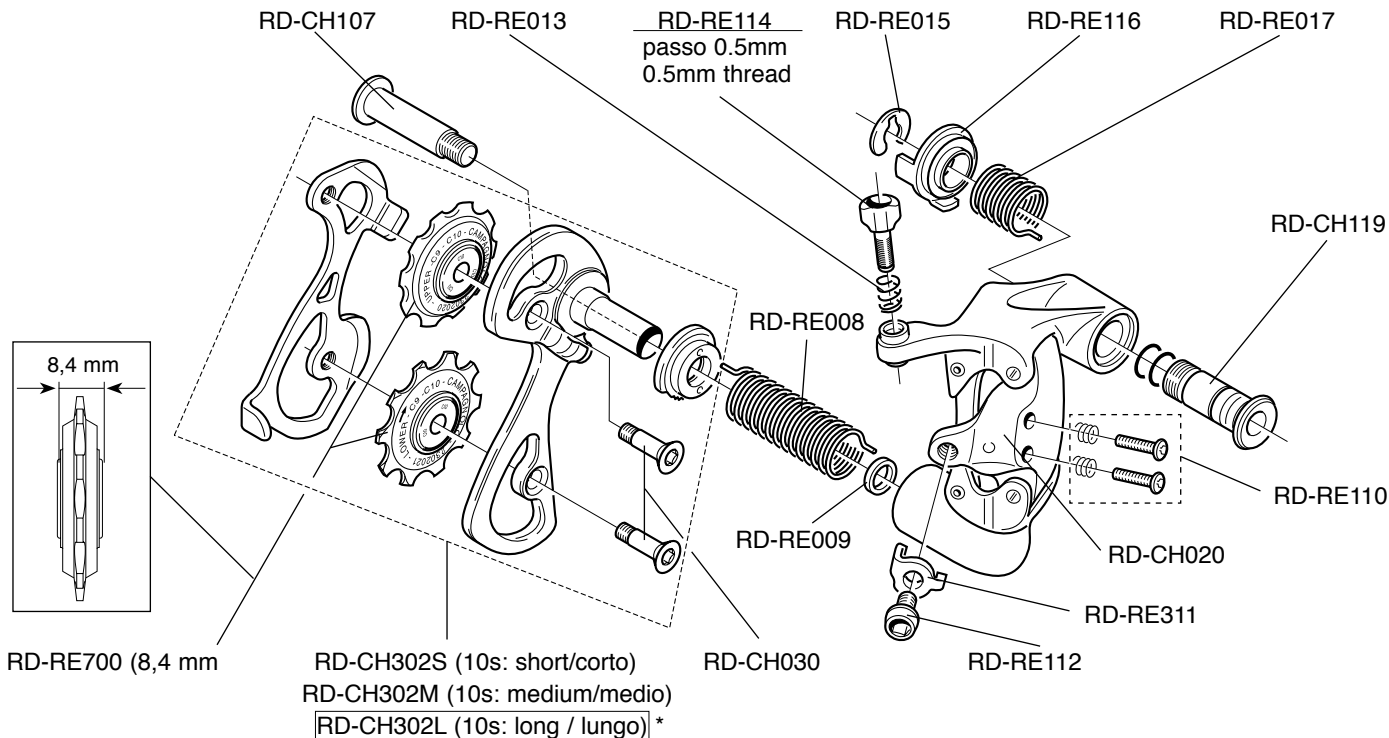
* only for RD4-REXL - not compatible with RD4-REXS and RD4-REXM

CHORUS™ 10s

RD4-CHXS

RD4-CHXM

RD4-CHXL



* solo per RD4-CHXL - non compatibile con RD4-CHXS e RD4-CHXM

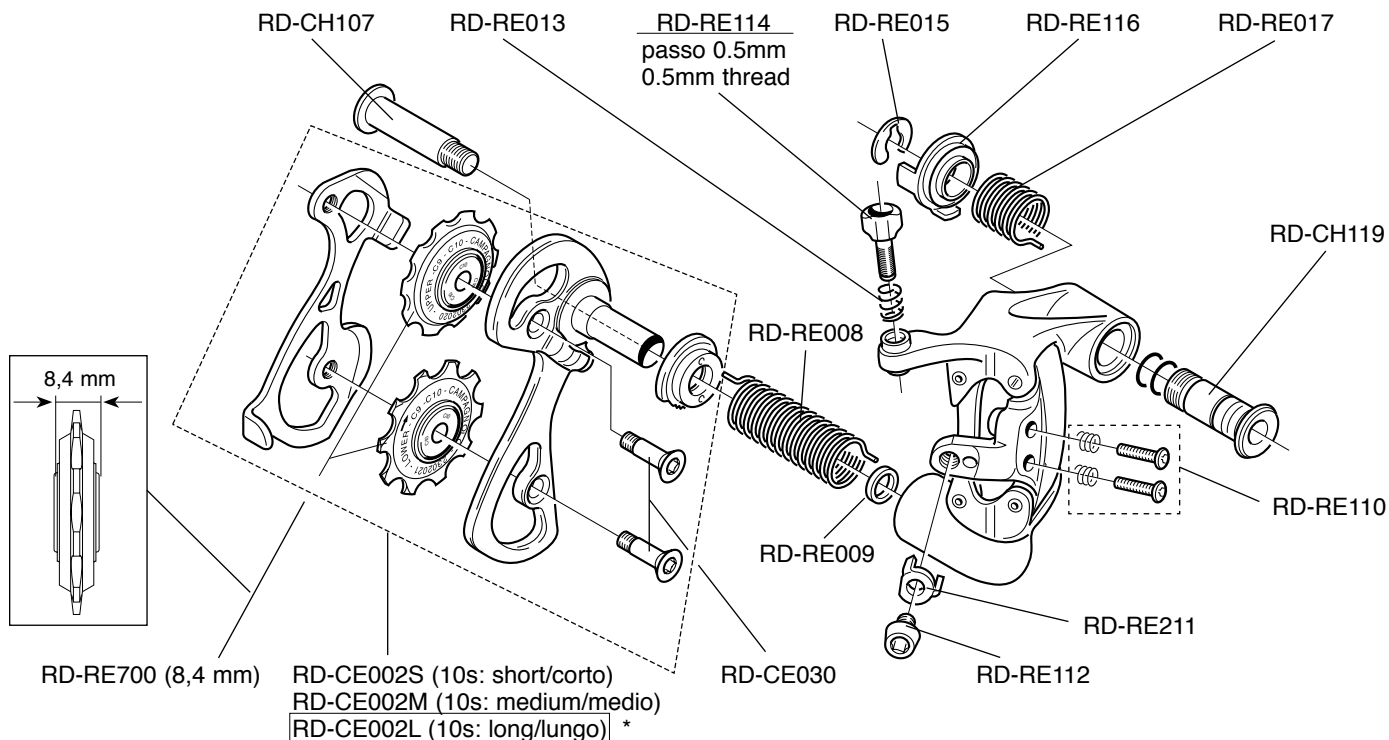
* only for RD4-CHXL - not compatible with RD4-CHXS and RD4-CHXM

CENTAUR™ 10s

RD4-CEXS

RD4-CEXM

RD4-CEXL



* solo per RD4-CEXL - non compatibile con RD4-CEXS e RD4-CEXM

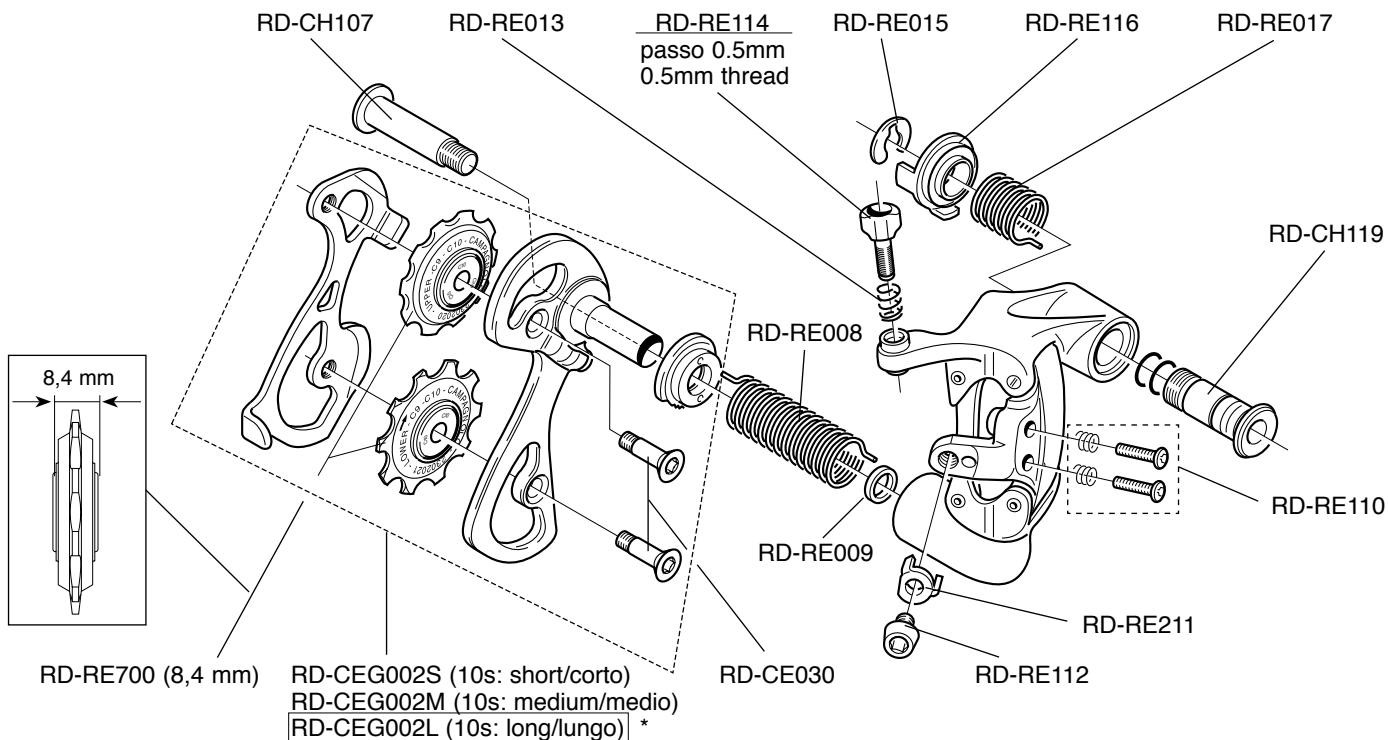
* only for RD4-CEXL - not compatible with RD4-CEXS and RD4-CEXM

CENTAUR™ CENTURY GREY 10s

RD4-CEGXS

RD4-CEGXM

RD4-CEGXL



* solo per RD4-CEGXL - non compatibile con RD4-CEGXS e RD4-CEGXM

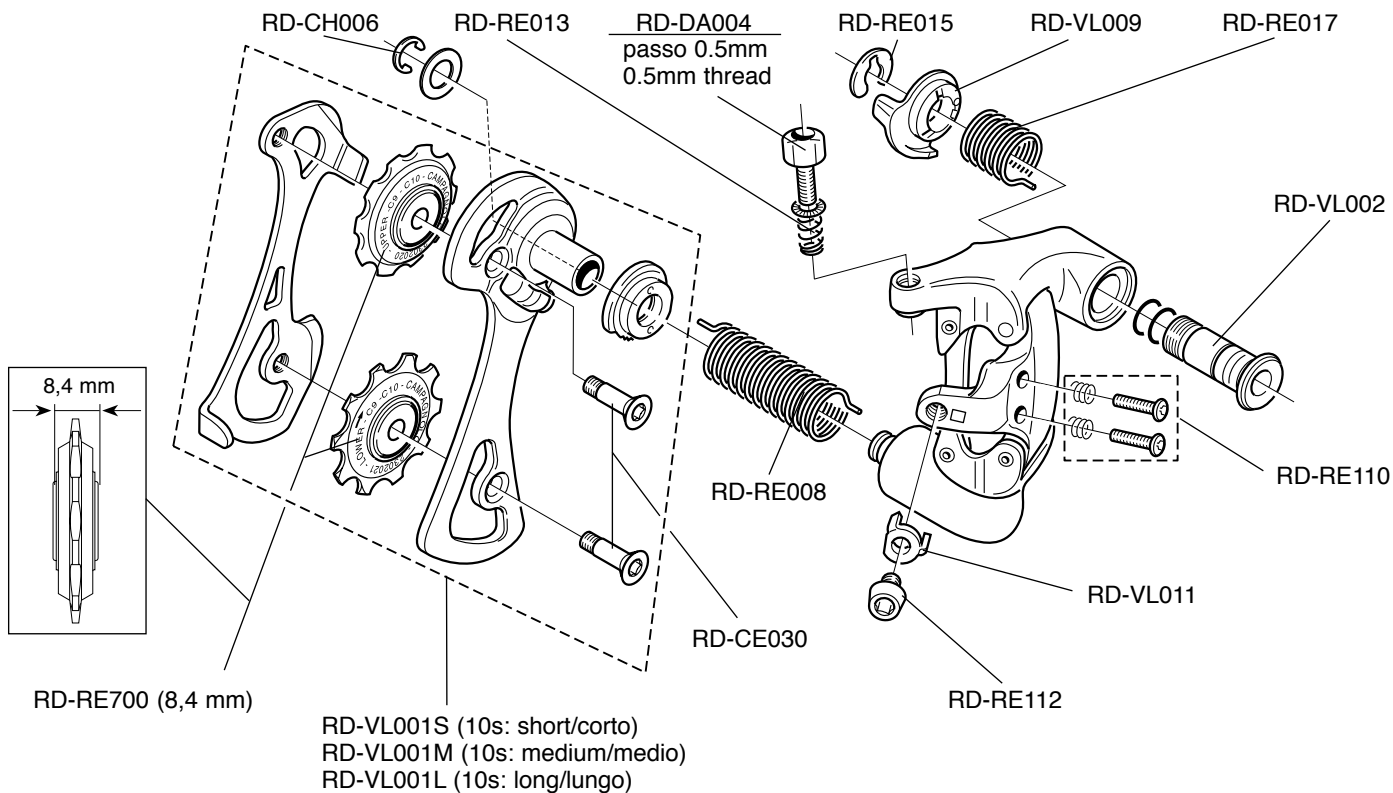
* only for RD4-CEGXL - not compatible with RD4-CEGXS and RD4-CEGXM

VELOCE™ 10s

RD4-VLXS

RD4-VLXM

RD4-VLXL

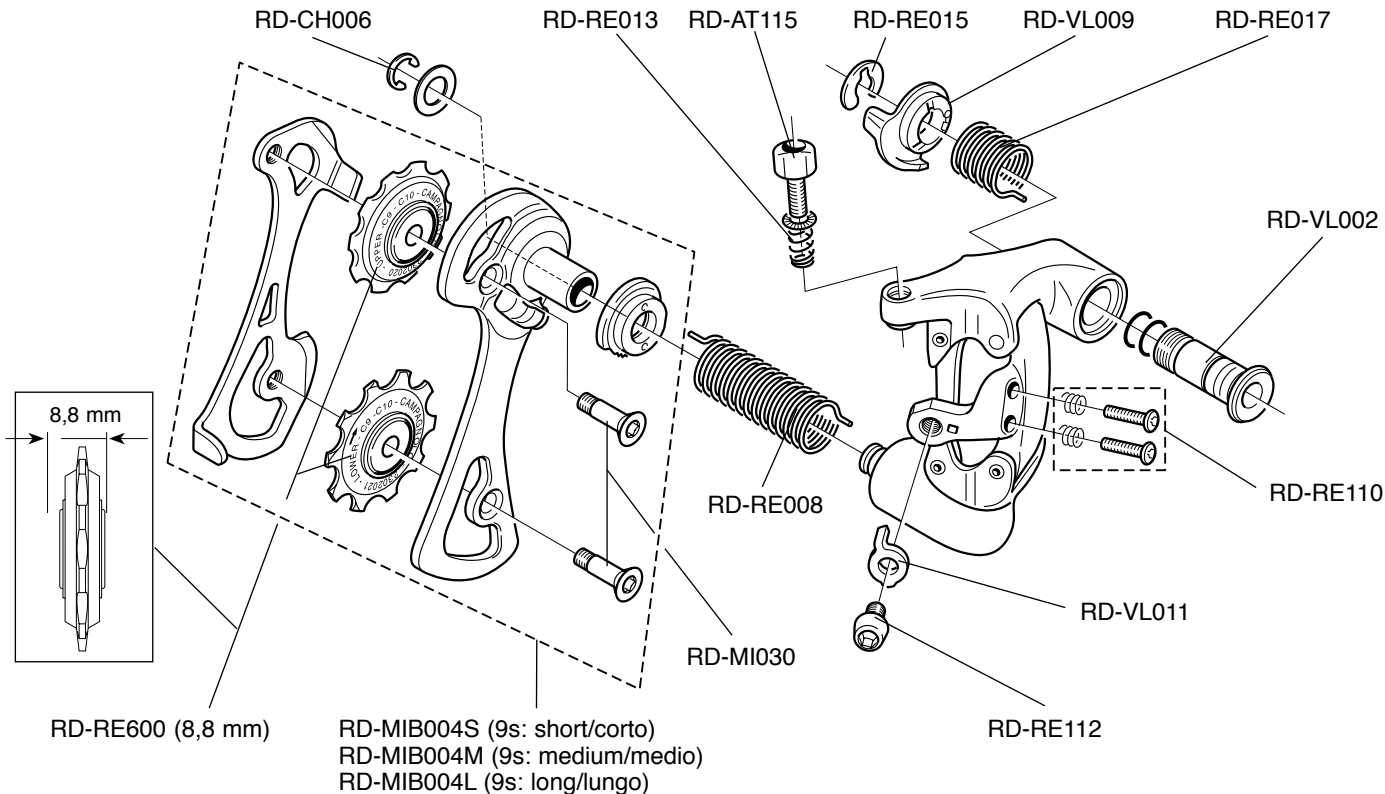


MIRAGE™ BLACK 9s

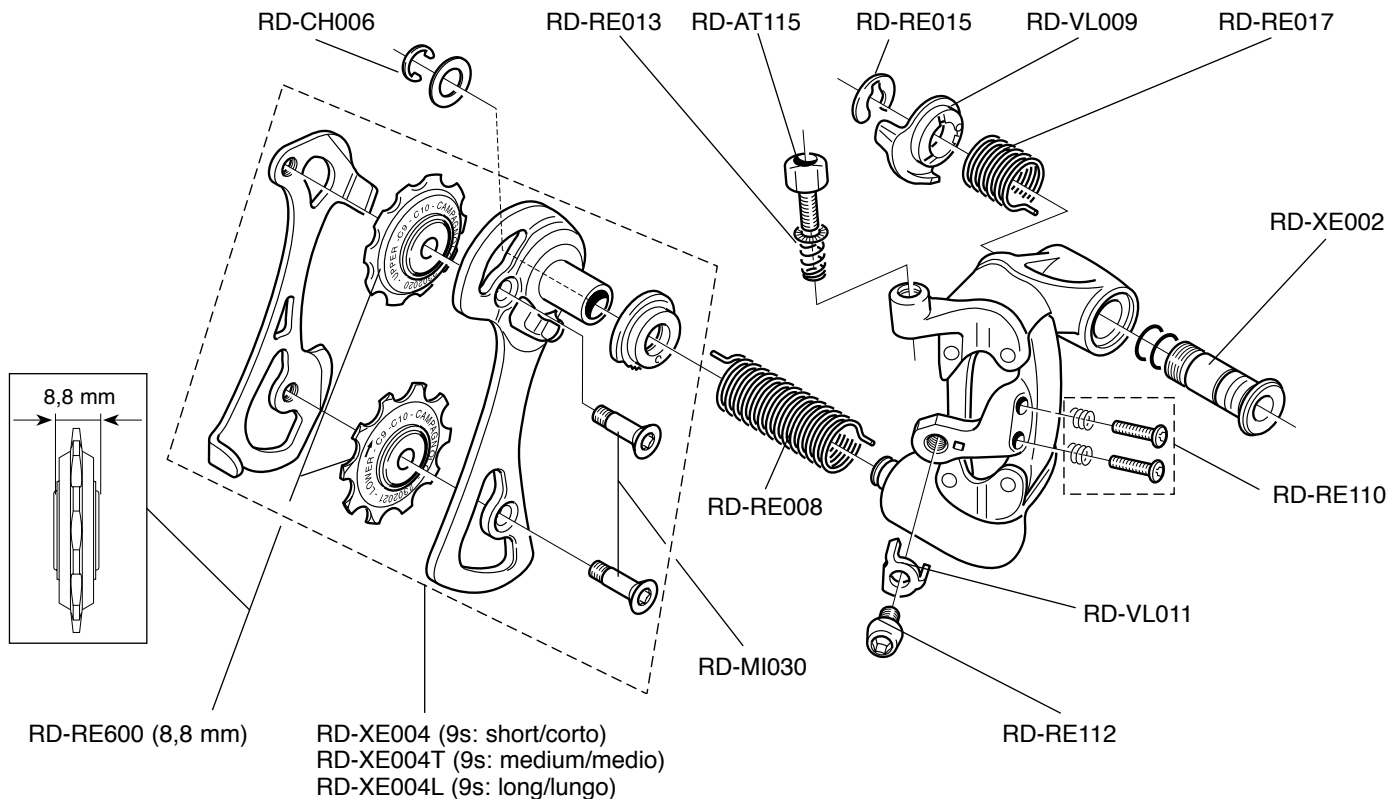
RD4-MI9S

RD4-MI9M

RD4-MI9L

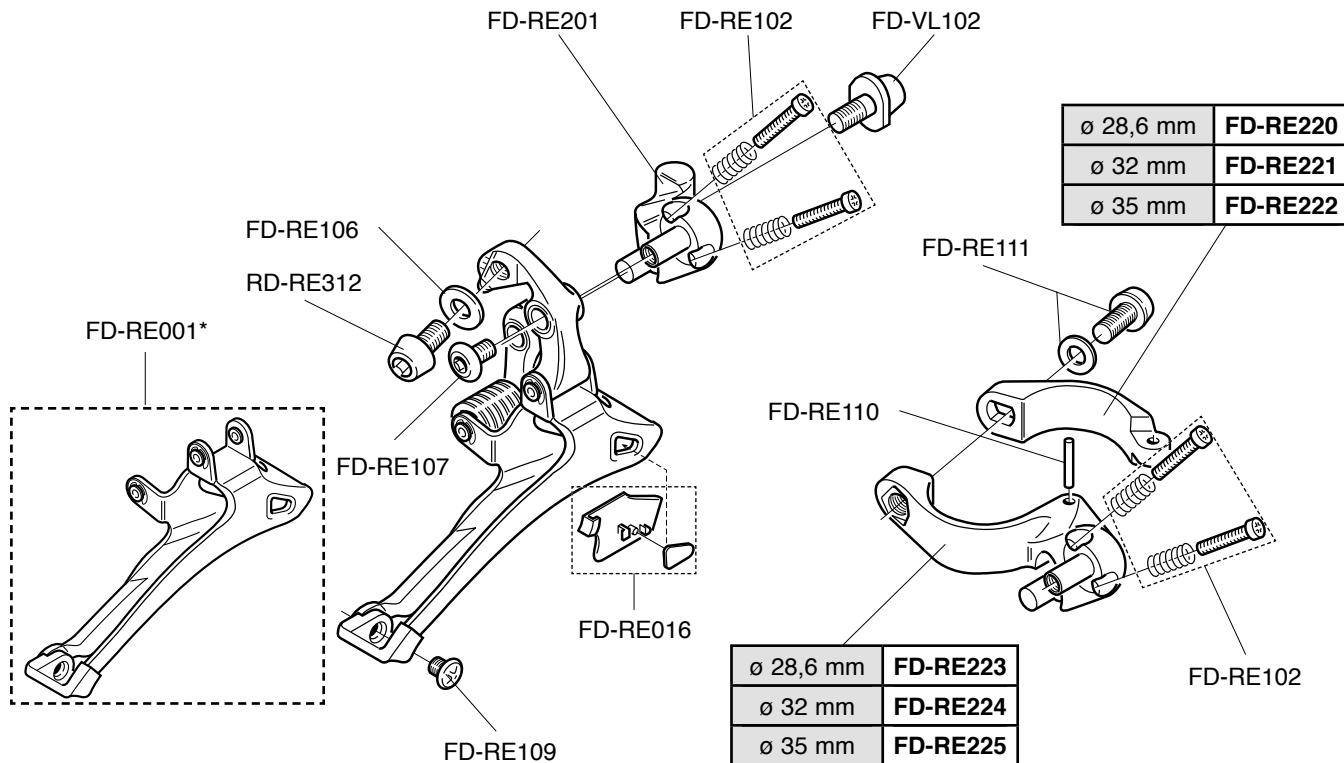


XENON™ 9s
RD02-XE209
RD02-XE309
RD4-XE9L



RECORD™ 10s
FD4-RE2..

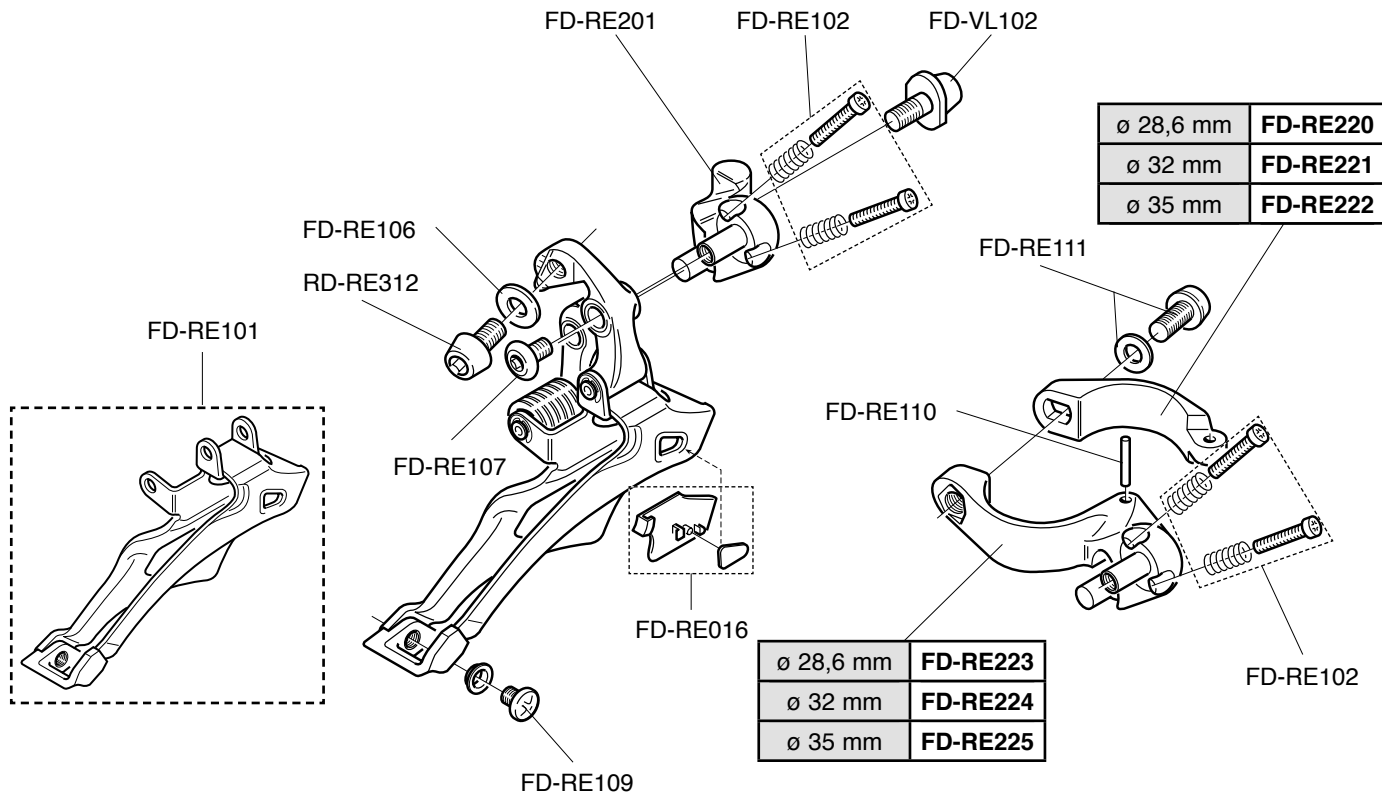
9s compatible



* non compatibile con gamma 2003 e precedenti

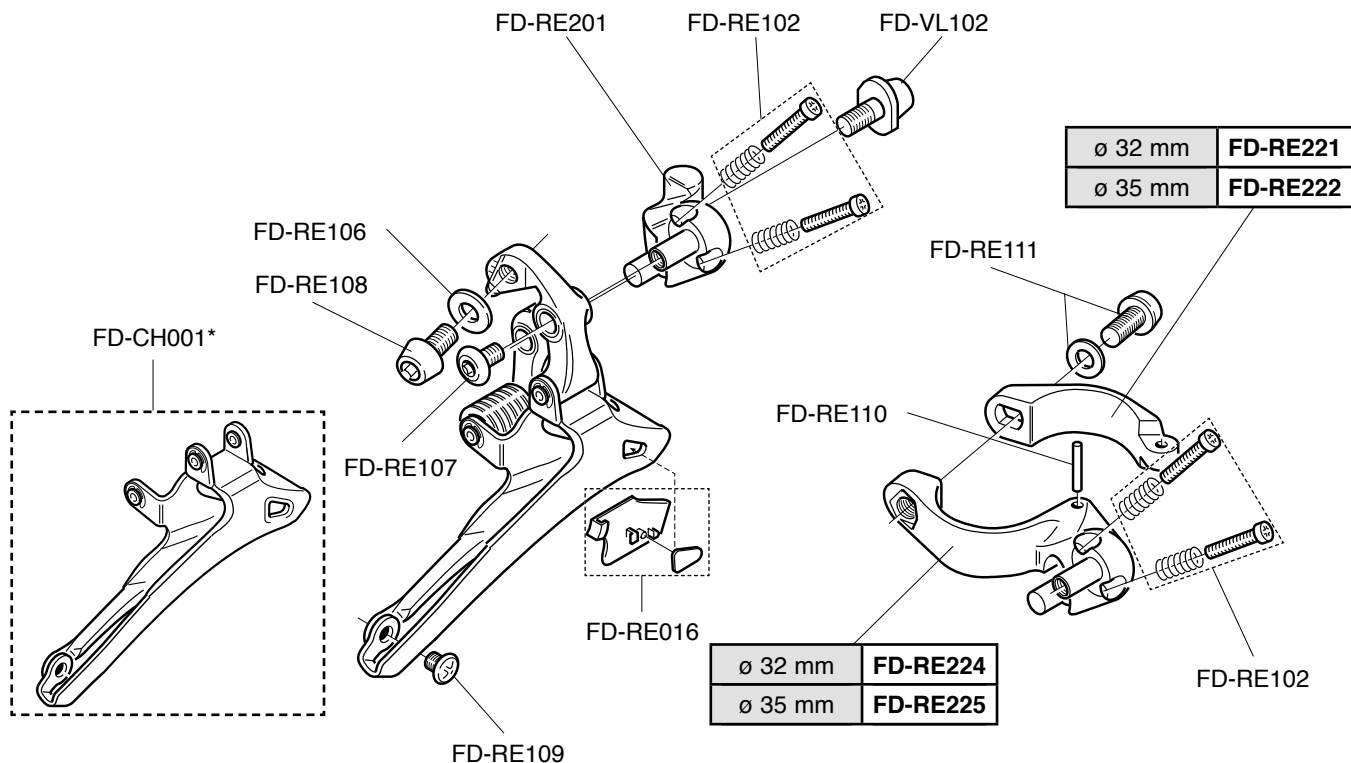
* not compatible with 2003 range and previous

RECORD™ CT™
10s
FD5-RE2...CT



CHORUS™ 10s
FD4-CH2..

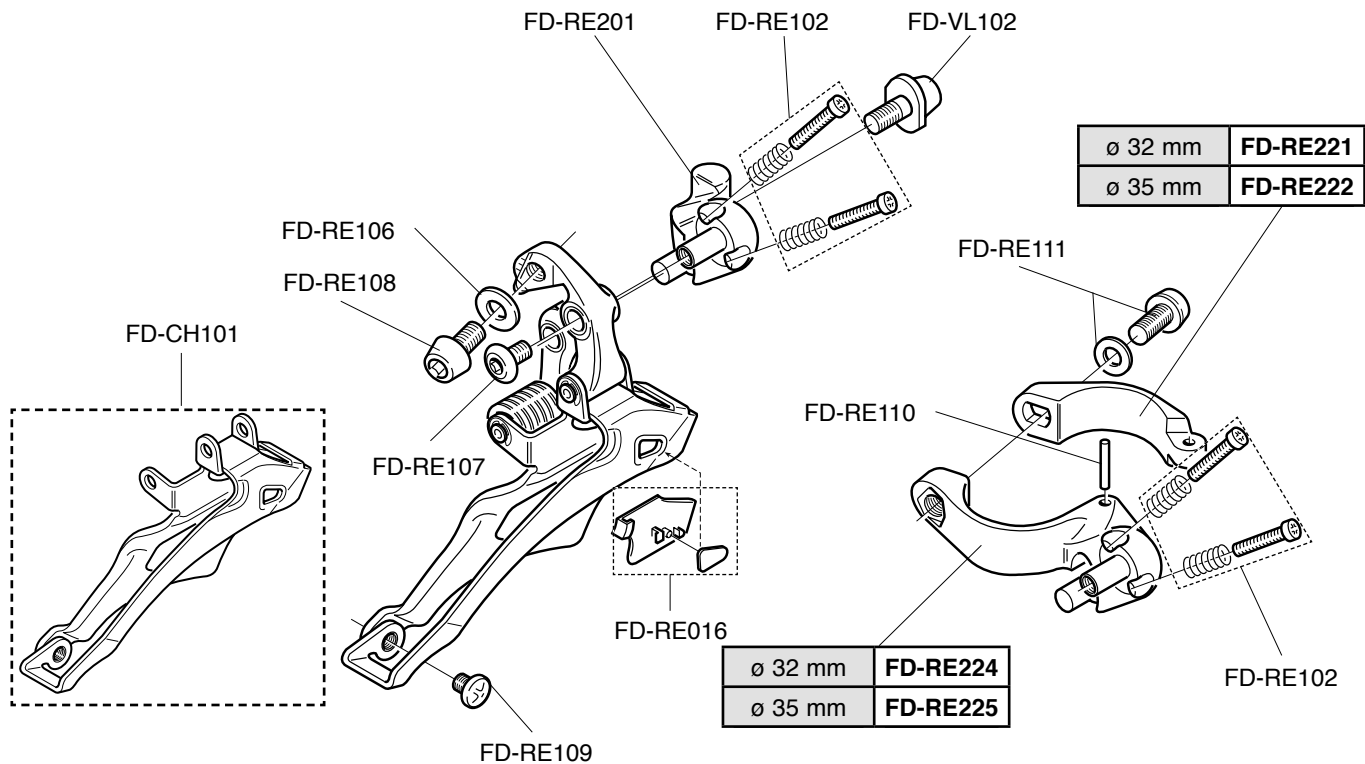
9s compatible



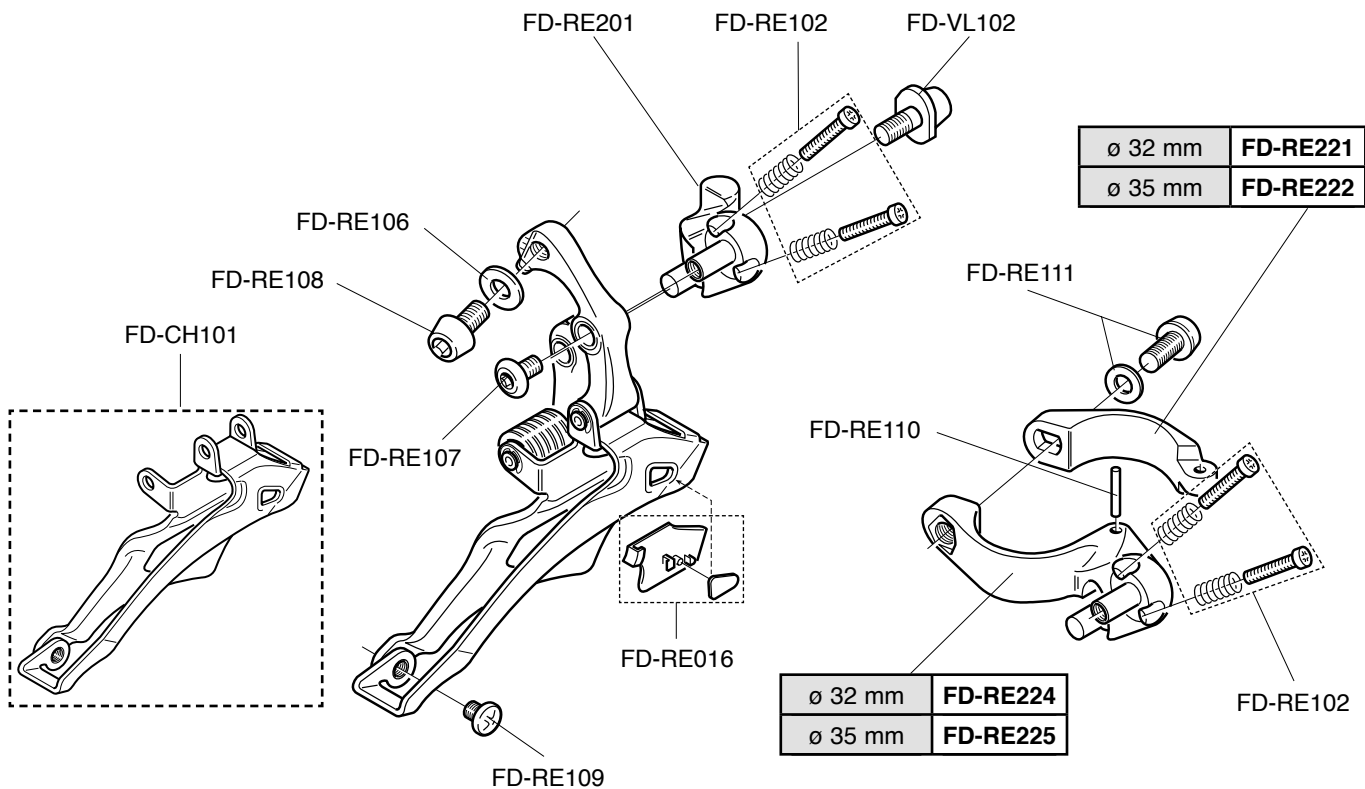
* non compatibile con gamma 2003 e precedenti

* not compatible with 2003 range and previous

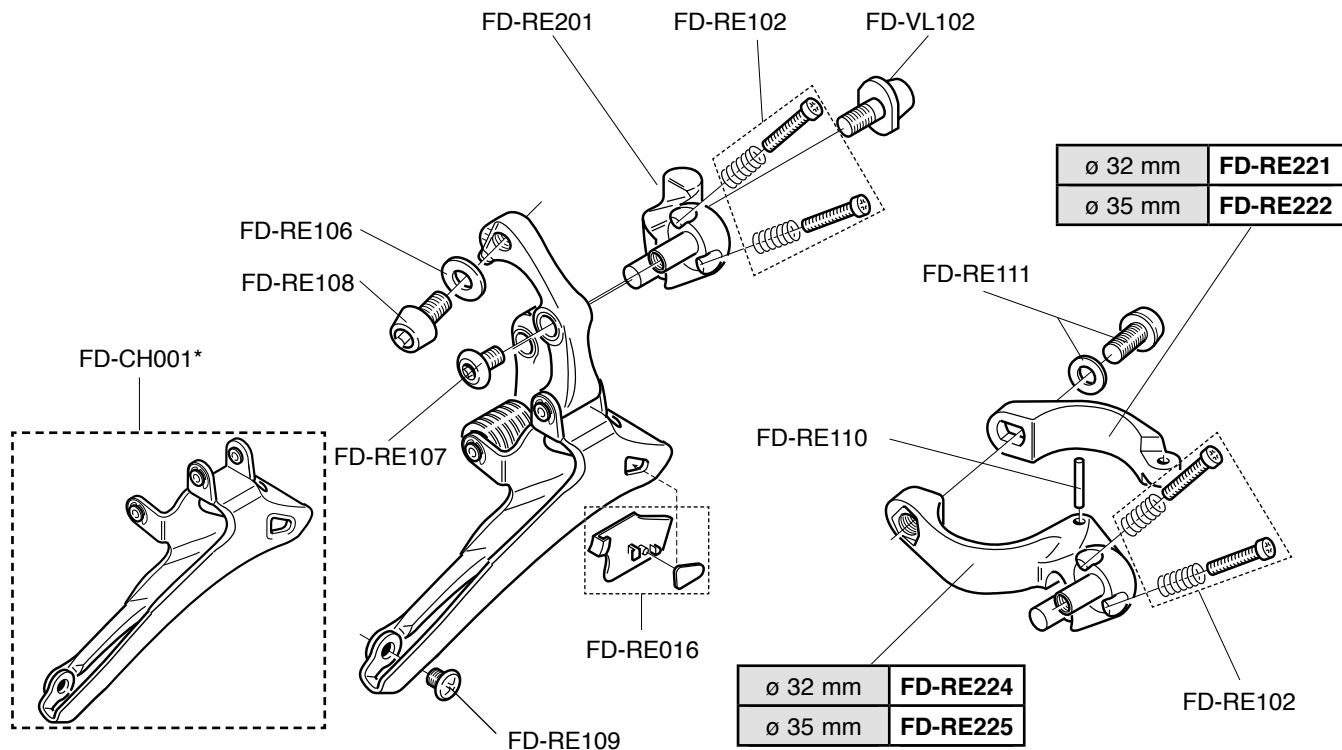
CHORUS™ CT™
10s
FD5-CH2..CT



CHORUS™ CT™
X FLAT-BAR 10s
FD5-CH2..CTFB

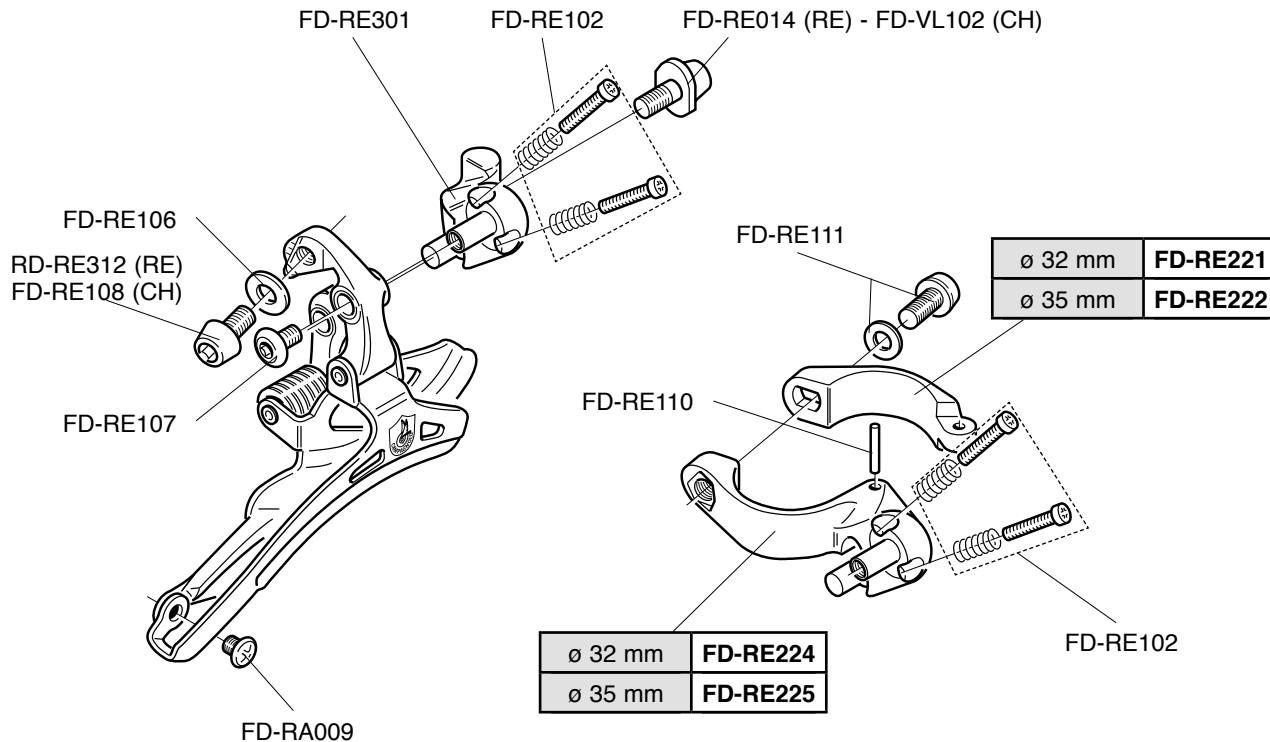


CHORUS™
X FLAT-BAR 10s
FD5-CH2..FB

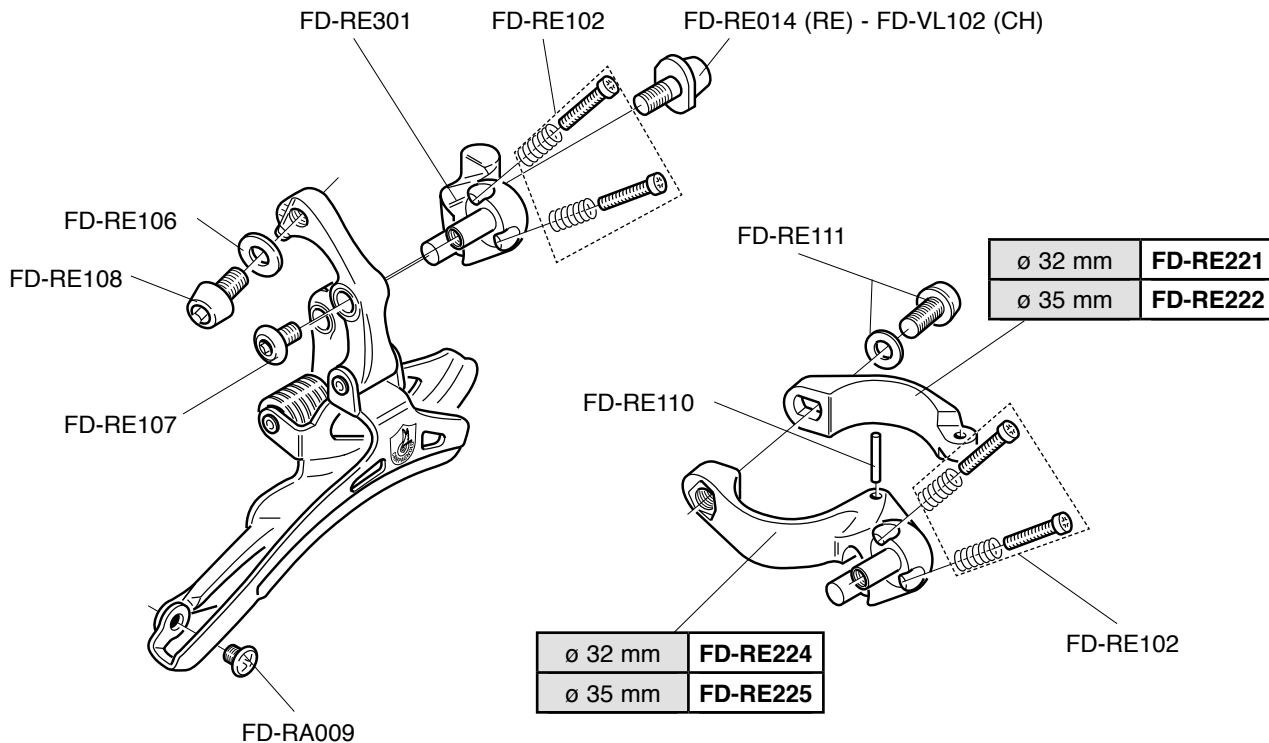


* non compatibile con gamma 2003 e precedenti
 * not compatible with 2003 range and previous

RECORD™ TRIPLE 10s
FD4-RE3..
CHORUS™ TRIPLE 10s
FD4-CH3..



CHORUS™ TRIPLE 10s
X FLAT-BAR
FD5-CH3..FB



CENTAUR™ 10s
FD4-CE2..
CENTAUR™ CENTURY GREY 10s
FD4-CEG2...

9s compatible

FD-CE001 (CENTAUR™)
 FD-CEG001 (CENTAUR™ C-GREY)

FD-RE102

FD-VL102

FD-RE106

FD-RE108

FD-RE107

FD-RE016

FD-RE109

	CENTAUR™	C-GREY
ø 28,6 mm	FD-DA020	FD-CEG020
ø 32 mm	FD-DA021	FD-CEG021
ø 35 mm	FD-DA022	FD-CEG022

FD-RE111

FD-RE110

FD-RE102

	CENTAUR™	C-GREY
ø 28,6 mm	FD-CE008	FD-CEG008
ø 32 mm	FD-CE009	FD-CEG009
ø 35 mm	FD-CE010	FD-CEG010

CENTAUR™ CT™ 10s
FD5-CE2..CT
CENTAUR™ CENTURY GREY CT™ 10s
FD5-CEG2...CT

FD-CE001 (CENTAUR™)
 FD-CEG001 (CENTAUR™ C-GREY)

FD-RE102

FD-VL102

FD-RE106

FD-RE108

FD-RE107

FD-RE111

FD-RE110

FD-RE016

FD-RE109

FD-RE102

	CENTAUR™	C-GREY
ø 28,6 mm	FD-DA020	FD-CEG020
ø 32 mm	FD-DA021	FD-CEG021
ø 35 mm	FD-DA022	FD-CEG022

	CENTAUR™	C-GREY
ø 28,6 mm	FD-CE008	FD-CEG008
ø 32 mm	FD-CE009	FD-CEG009
ø 35 mm	FD-CE010	FD-CEG010

CENTAUR™ CT™ X FLAT-BAR 10s
FD5-CE2..CTFB
CENTAUR™ CENTURY GREY CT™
X FLAT-BAR 10s
FD5-CEG2...CTFB

FD-CE001 (CENTAUR™)
 FD-CEG001 (CENTAUR™ C-GREY)

FD-RE102

FD-VL102

FD-RE106

FD-RE108

FD-RE107

FD-RE016

FD-RE109

FD-RE111

FD-RE110

FD-RE102

	CENTAUR™	C-GREY
ø 28,6 mm	FD-DA020	FD-CEG020
ø 32 mm	FD-DA021	FD-CEG021
ø 35 mm	FD-DA022	FD-CEG022

	CENTAUR™	C-GREY
ø 28,6 mm	FD-CE008	FD-CEG008
ø 32 mm	FD-CE009	FD-CEG009
ø 35 mm	FD-CE010	FD-CEG010

CENTAUR™ X FLAT-BAR 10s
FD5-CE2..FB
CENTAUR™ CENTURY GREY
X FLAT-BAR 10s
FD5-CEG2...FB

FD-CE001 (CENTAUR™)
 FD-CEG001 (CENTAUR™ C-GREY)

FD-RE102

FD-VL102

FD-RE106

FD-RE108

FD-RE107

FD-RE016

FD-RE109

FD-RE111

FD-RE110

FD-RE102

	CENTAUR™	C-GREY
ø 28,6 mm	FD-DA020	FD-CEG020
ø 32 mm	FD-DA021	FD-CEG021
ø 35 mm	FD-DA022	FD-CEG022

	CENTAUR™	C-GREY
ø 28,6 mm	FD-CE008	FD-CEG008
ø 32 mm	FD-CE009	FD-CEG009
ø 35 mm	FD-CE010	FD-CEG010

CENTAUR™ TRIPLE 10s

FD4-CE3..

CENTAUR™ CENTURY GREY TRIPLE 10s

FD4-CEG3..

9s compatible

FD-CE101 (CENTAUR™)
FD-CEG101 (CENTAUR™ C-GREY)

FD-RE102

FD-VL102

FD-RE106

FD-RE108

FD-RE107

FD-RE111

FD-RE110

FD-RA009

FD-RE102

	CENTAUR™	C-GREY
ø 32 mm	FD-DA021	FD-CEG021
ø 35 mm	FD-DA022	FD-CEG022

	CENTAUR™	C-GREY
ø 32 mm	FD-CE009	FD-CEG009
ø 35 mm	FD-CE010	FD-CEG010

CENTAUR™ TRIPLE X FLAT-BAR 10s

FD5-CE3..FB

CENTAUR™ CENTURY GREY TRIPLE

X FLAT-BAR 10s

FD5-CEG3..FB

FD-CE101 (CENTAUR™)
FD-CEG101 (CENTAUR™ C-GREY)

FD-RE102

FD-VL102

FD-RE106

FD-RE108

FD-RE107

FD-RE111

FD-RE110

FD-RA009

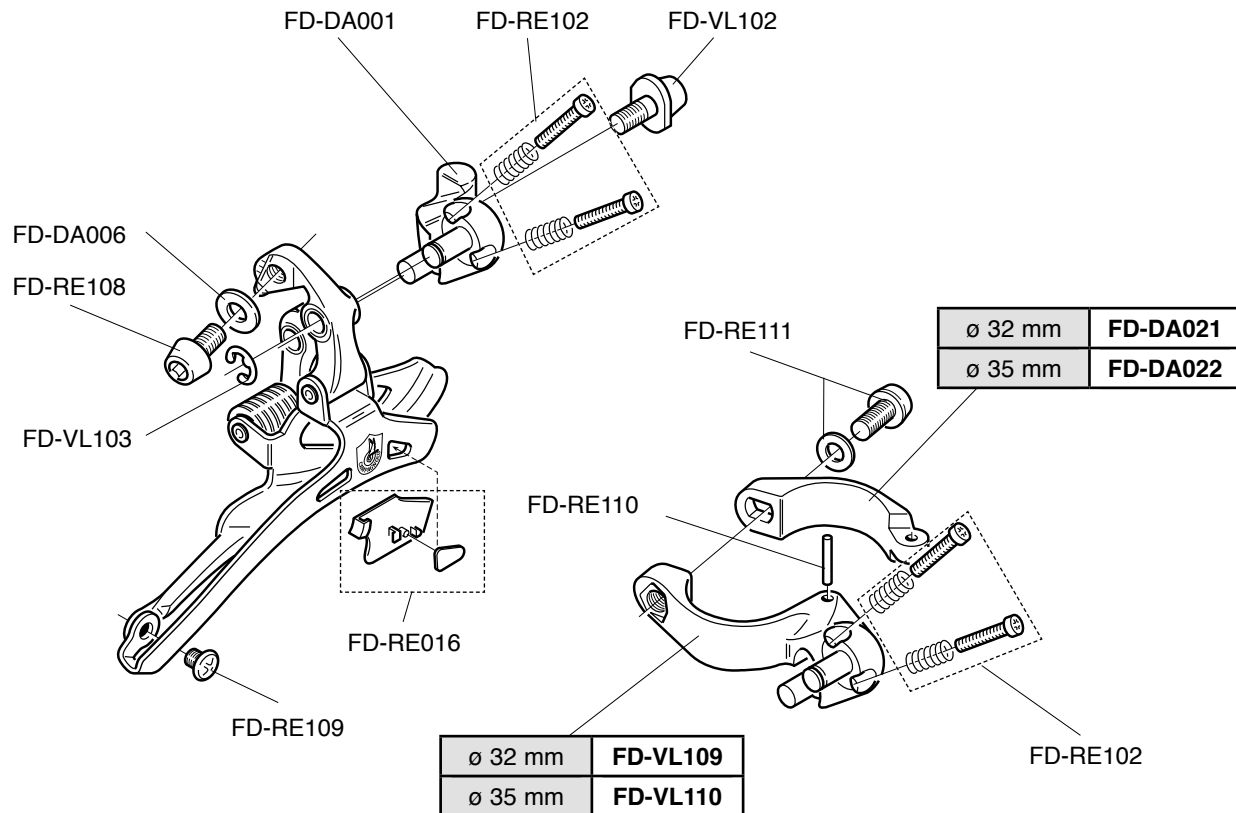
	CENTAUR™	C-GREY
ø 32 mm	FD-DA021	FD-CEG021
ø 35 mm	FD-DA022	FD-CEG022

	CENTAUR™	C-GREY
ø 32 mm	FD-CE009	FD-CEG009
ø 35 mm	FD-CE010	FD-CEG010

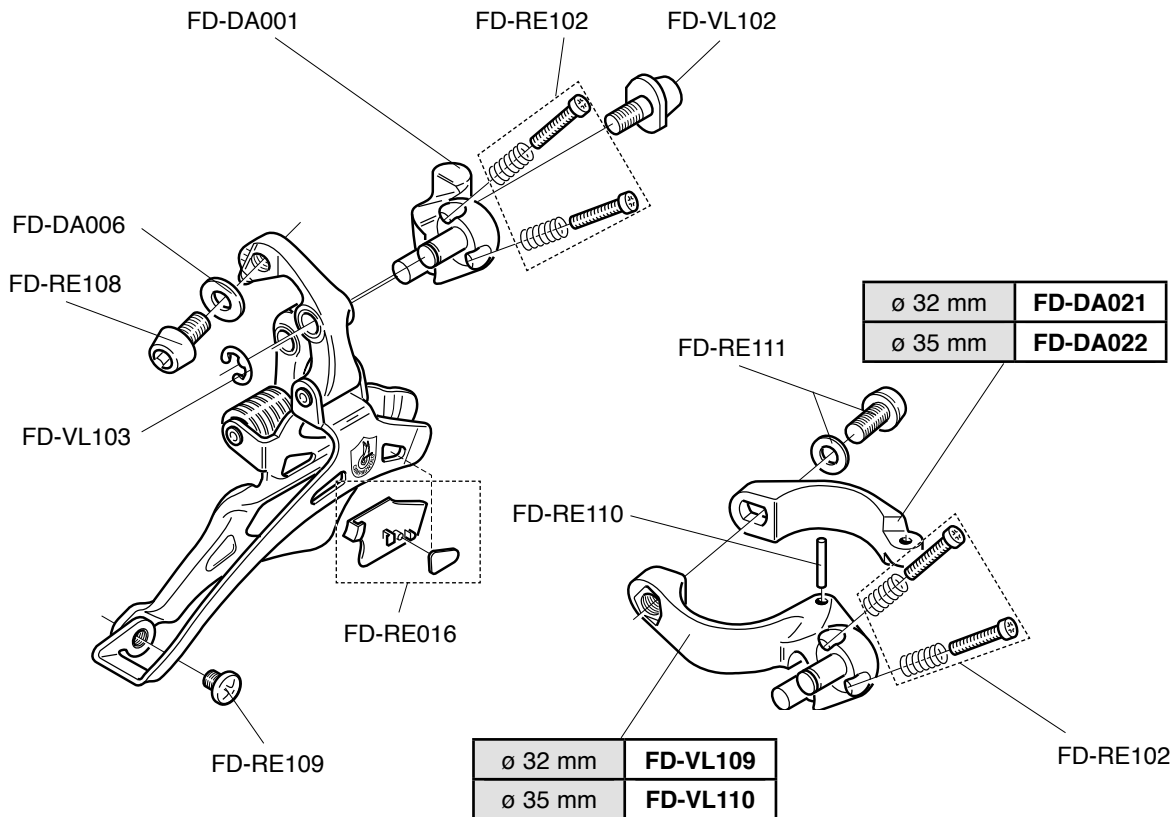
FD-RE102

VELOCE™ 10s
FD4-VL2..

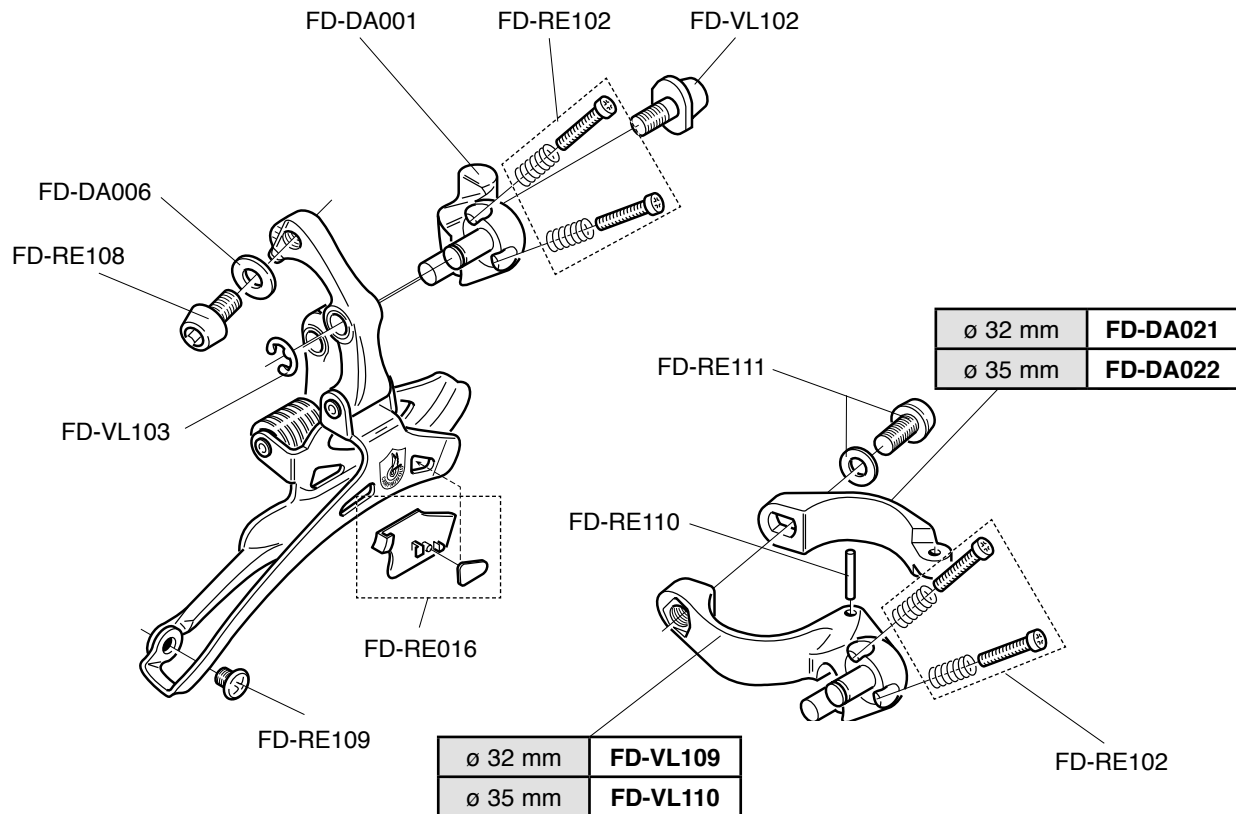
9s compatible



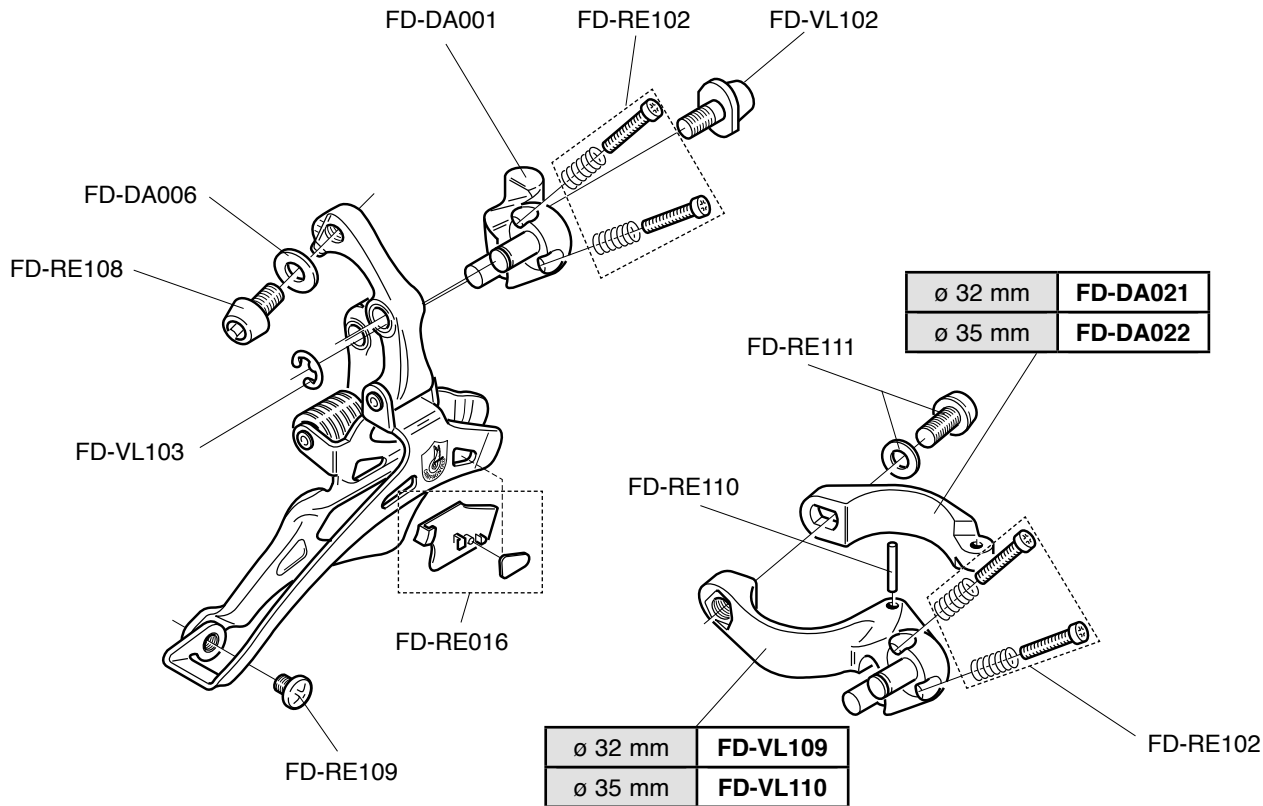
VELOCE™ CT™
10s
FD6-VL2...CT



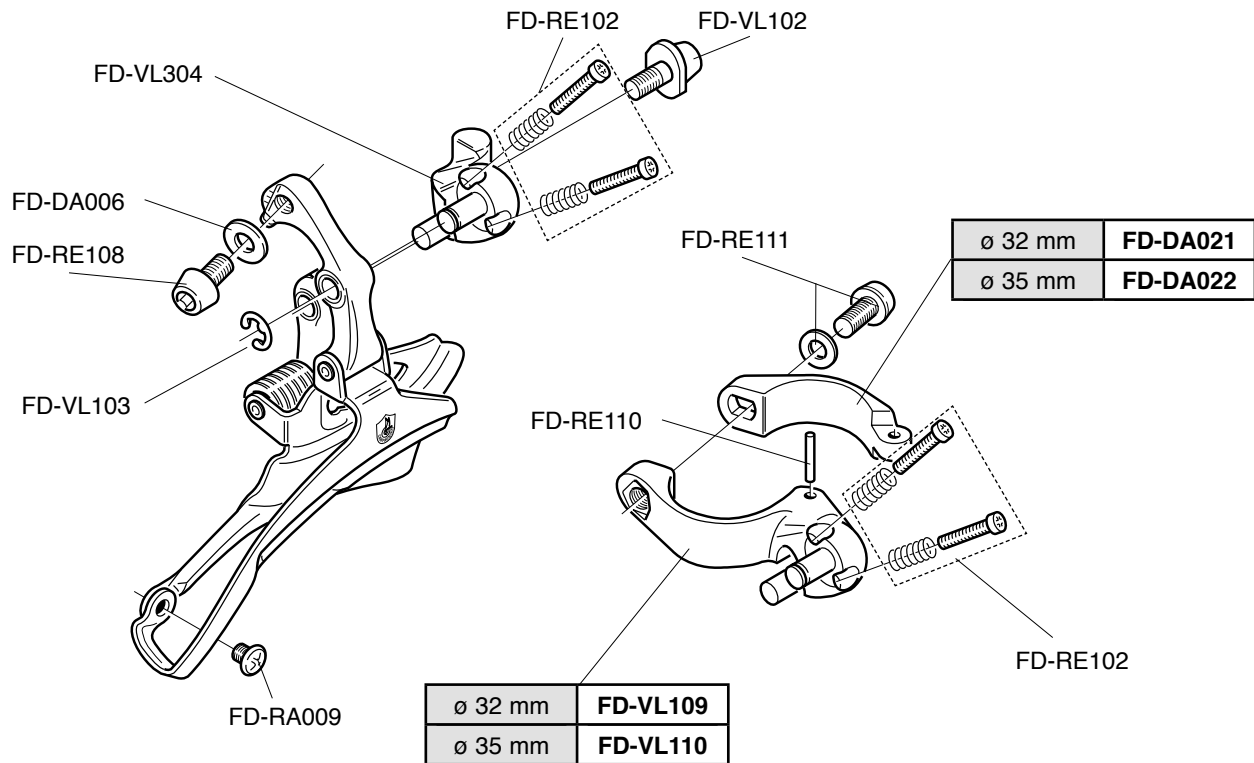
VELOCE™ 10s
X FLAT-BAR
FD5-VL2..FB



VELOCE™ CT™ 10s
x FLAT-BAR 10s
FD6-VL2...CTFB



**VELOCE™ TRIPLE X
FLAT-BAR 10s
FD5-VL3..FB**



**VELOCE™
TRIPLE 10s
FD4-MI2..**

9s compatible

**MIRAGE™ BLACK 9s
FD4-MIB2..
MIRAGE™ TRIPLE BLACK 9s
FD4-MIB3..**

FD-VL304 (VELOCE™ TRIPLE)
FD-MIB001 (MIRAGE™ BLACK)
FD-MIB101 (MIRAGE™ BLACK TRIPLE)

FD-DA006

FD-RE108

FD-VL103

FD-RE109
FD-RA009 (TRIPLE)

FD-RE102

FD-VL102

FD-RE111

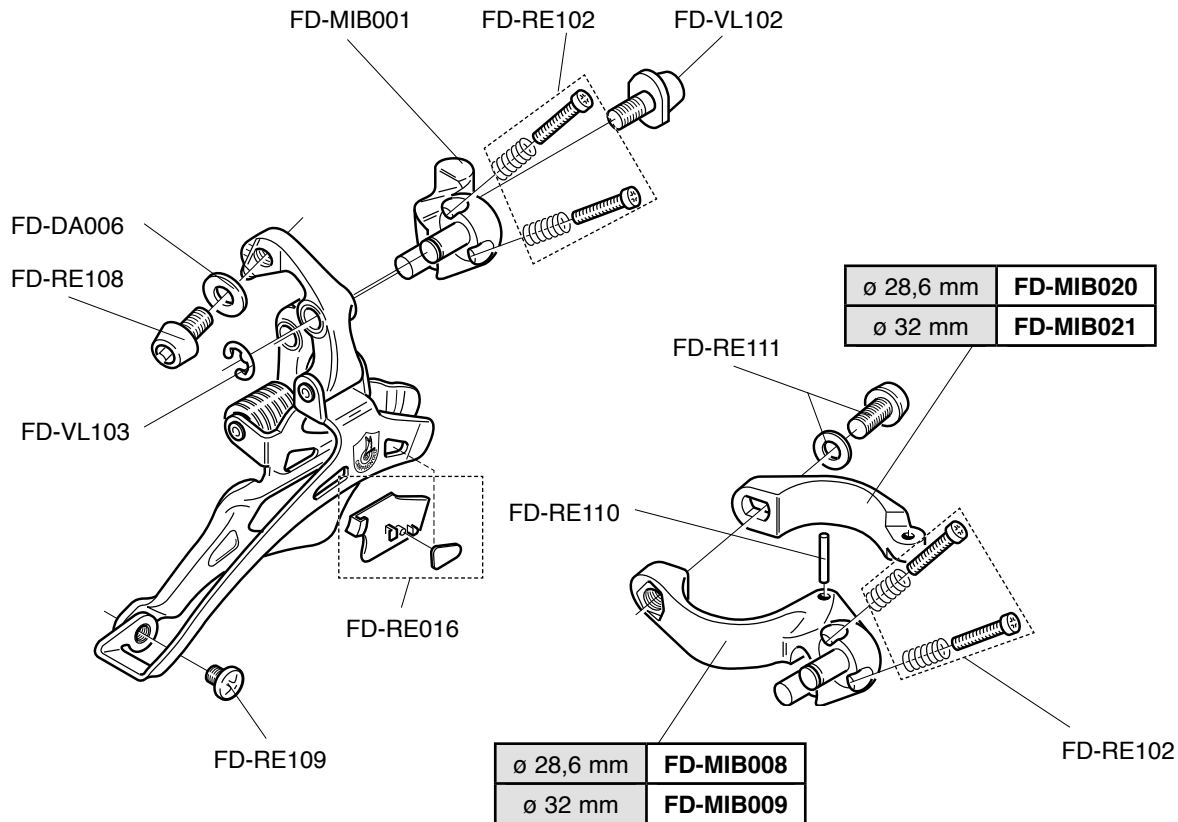
FD-RE110

FD-RE102

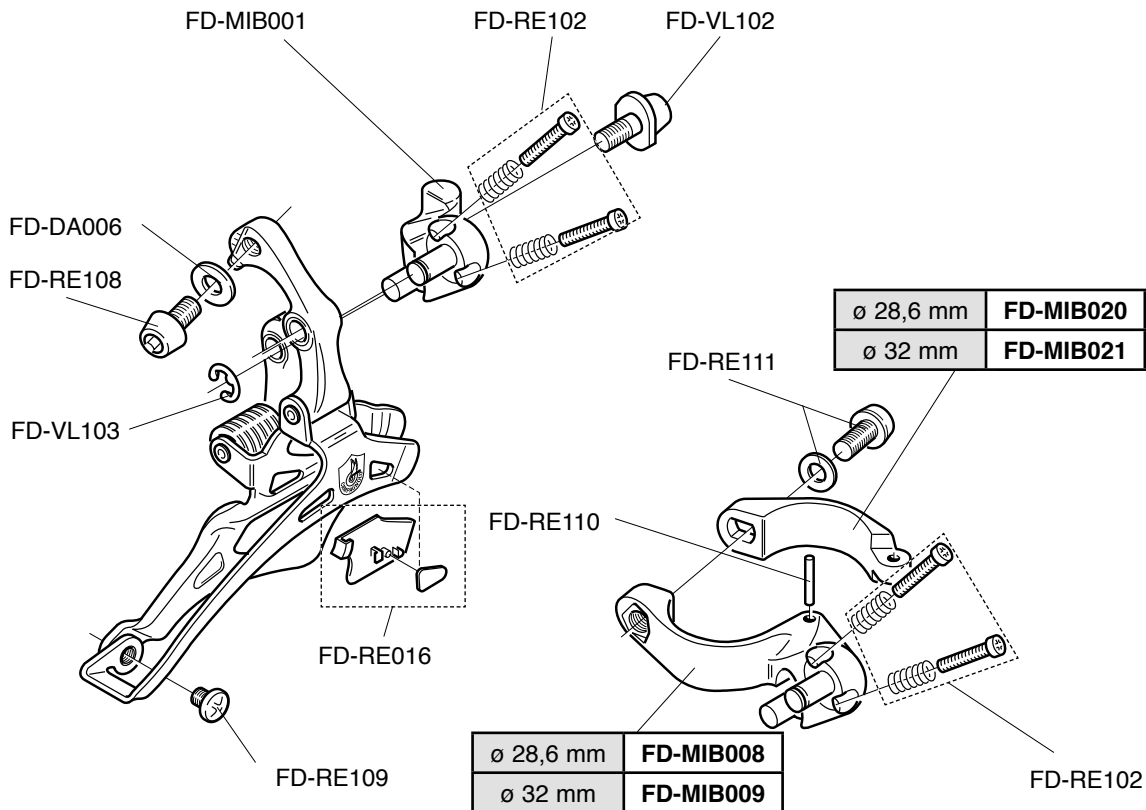
	VELOCE™	MIR™ BLACK
ø 28,6 mm	-	FD-MIB020
ø 32 mm	FD-DA021	FD-MIB021
ø 35 mm	FD-DA022	-

	VELOCE™	MIR™ BLACK
ø 28,6 mm	-	FD-MIB008
ø 32 mm	FD-VL109	FD-MIB009
ø 35 mm	FD-VL110	-

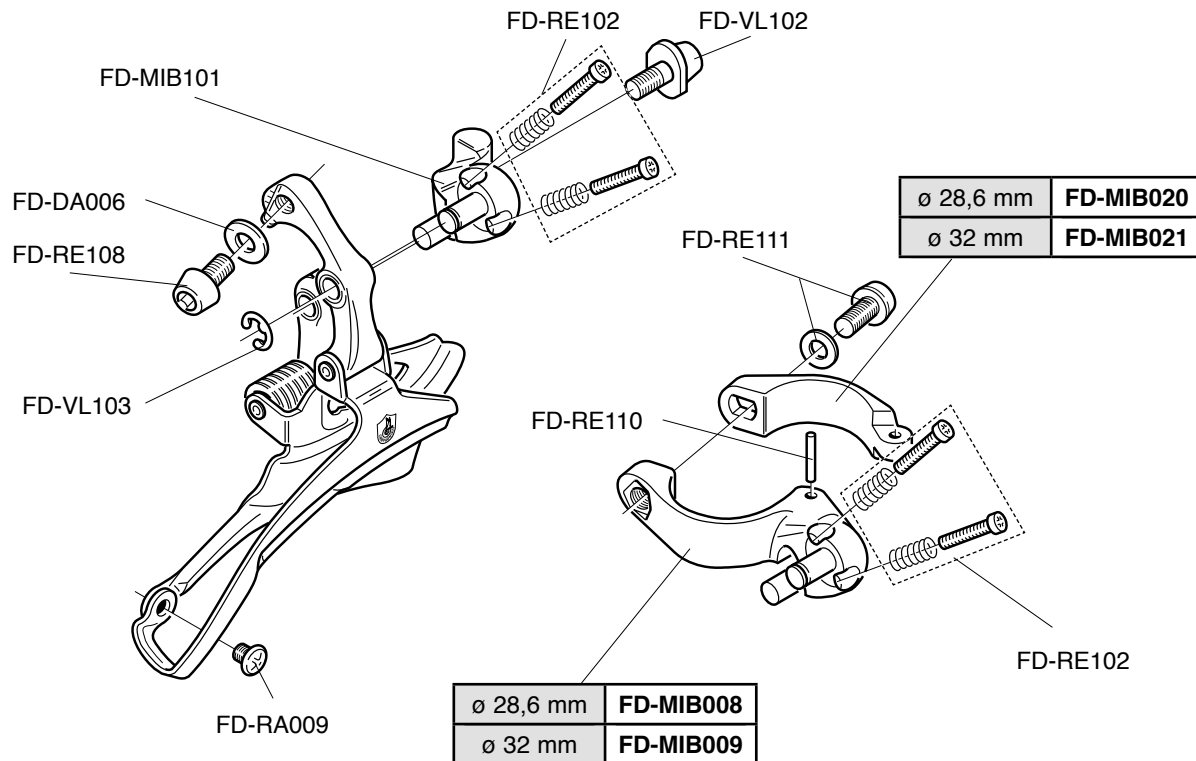
MIRAGE™ CT™
9s
FD6-MI2...CT



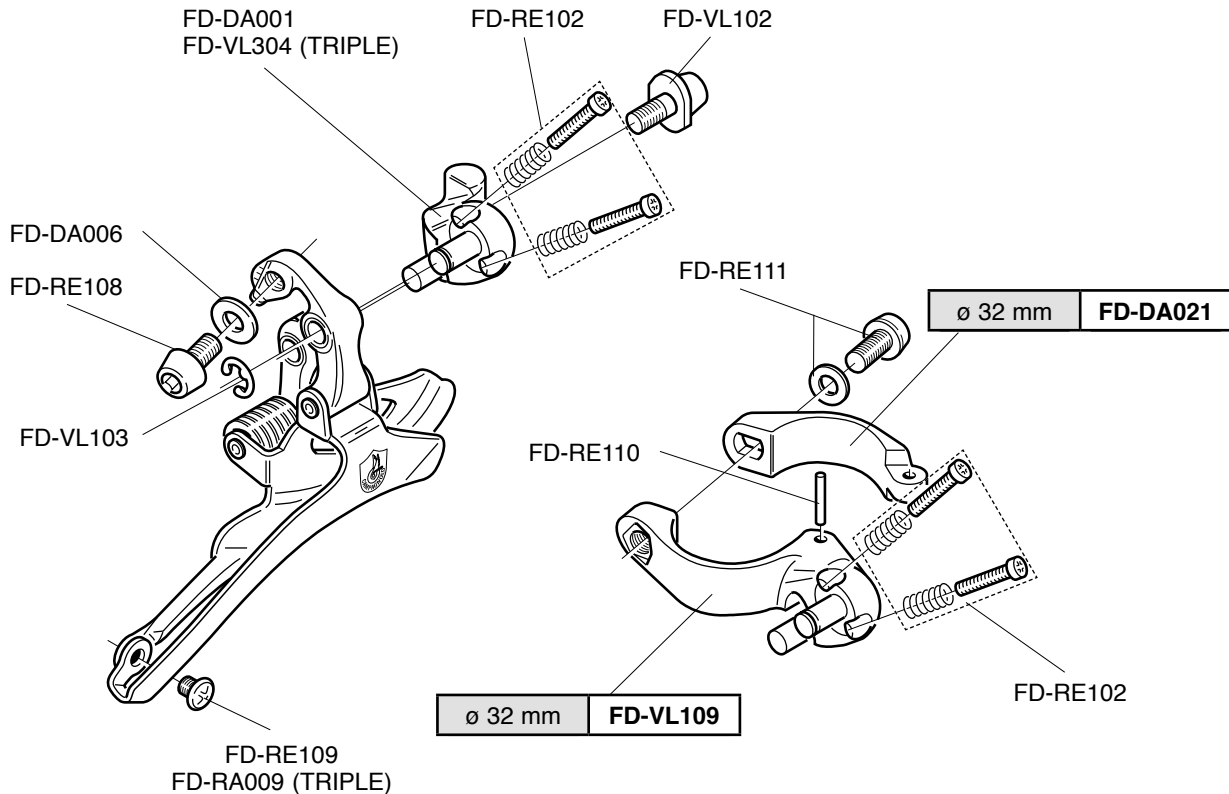
MIRAGE™ CT™ 9s
x FLAT-BAR
FD6-MI2...CTFB



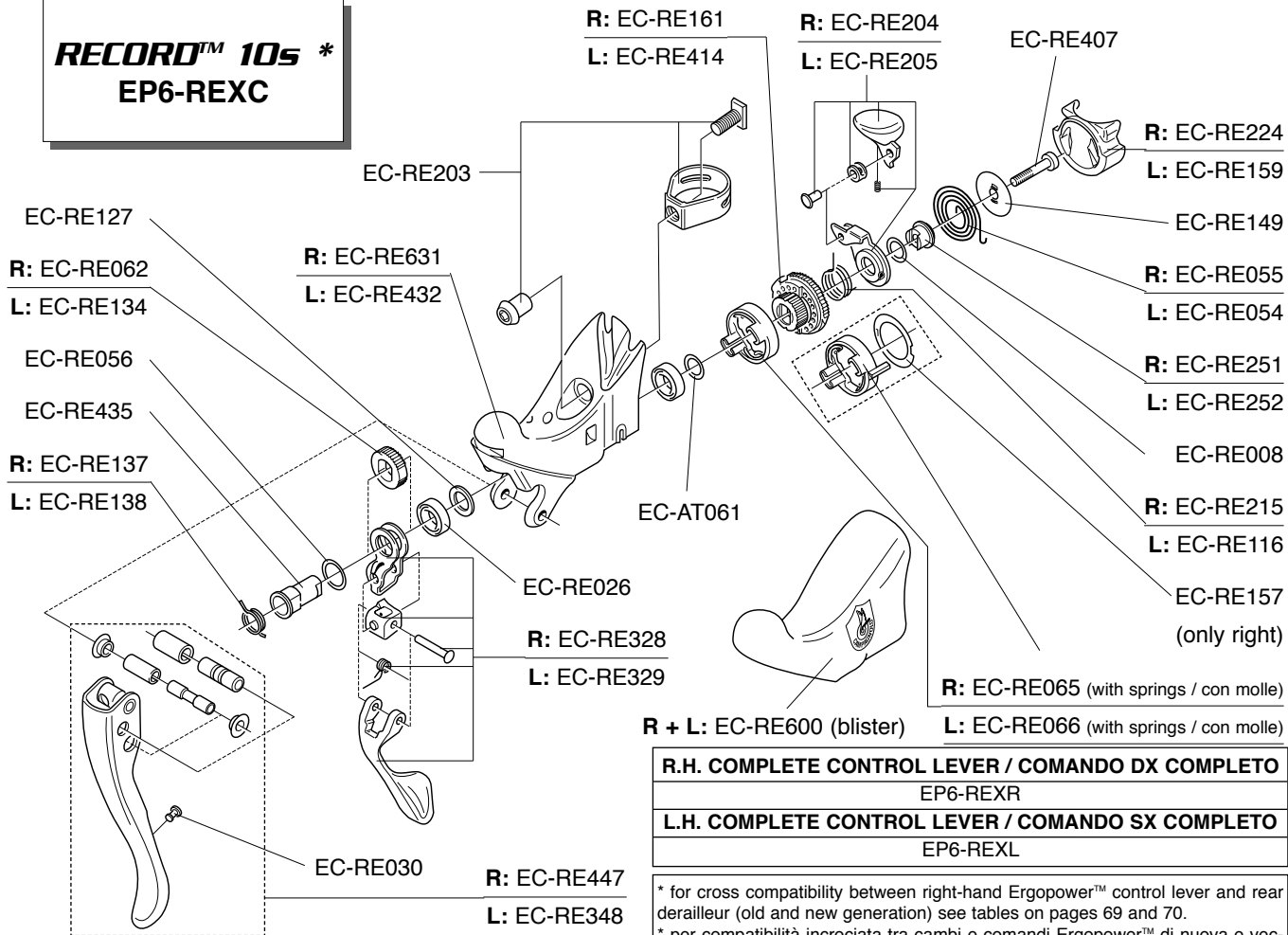
MIRAGE™ TRIPLE BLACK
X FLAT-BAR 9s
FD5-MIB3..FB



XENON™ 9s
FD4-XE2..
XENON™ TRIPLE 9s
FD4-XE3..



RECORD™ 10s *
EP6-REXC

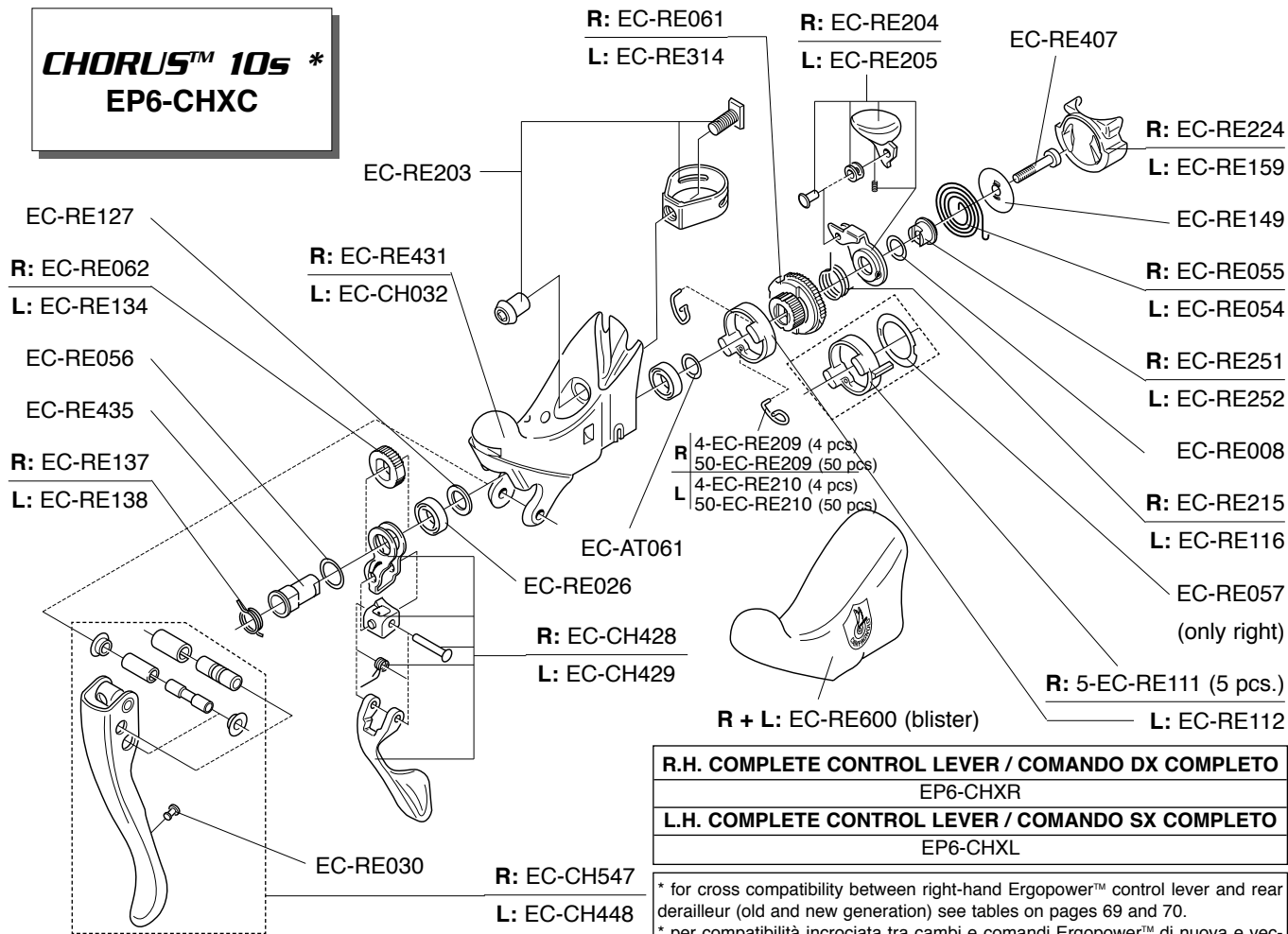


R + L: EC-RE600 (blister) L: EC-RE066 (with springs / con molle)

R.H. COMPLETE CONTROL LEVER / COMANDO DX COMPLETO
EP6-REXR
L.H. COMPLETE CONTROL LEVER / COMANDO SX COMPLETO
EP6-REXL

* for cross compatibility between right-hand Ergopower™ control lever and rear derailleur (old and new generation) see tables on pages 69 and 70.
* per compatibilità incrociata tra cambi e comandi Ergopower™ di nuova e vecchia generazione vedi tabelle alle pagg. 69 e 70.

CHORUS™ 10s * EP6-CHXC



R.H. COMPLETE CONTROL LEVER / COMANDO DX COMPLETO
EP6-CHXR
L.H. COMPLETE CONTROL LEVER / COMANDO SX COMPLETO
EP6-CHXL

* for cross compatibility between right-hand Ergopower™ control lever and rear derailleur (old and new generation) see tables on pages 69 and 70.
* per compatibilità incrociata tra cambi e comandi Ergopower™ di nuova e vecchia generazione vedi tabelle alle pagg. 69 e 70.

CENTAUR™ 10s *
EP6-CEXC
CENTAUR™ C-GREY 10s *
EP6-CEGXC

R: EC-RE061
 L: EC-RE314

R: EC-RE204
 L: EC-RE205

EC-RE407

R: EC-RE224
 L: EC-RE159

R: EC-RE055
 L: EC-RE054

R: EC-RE251
 L: EC-RE252

R: EC-RE215
 L: EC-RE116

EC-RE057
 (only right)

R: 5-EC-RE111 (5 pcs.)

L: EC-RE112

R + L: EC-RE600 (blister)

CENTAUR™	
R	EC-DA231
L	EC-DA032
C-GREY	
R	EC-CEG031
L	EC-CEG032

CENTAUR™	
R	EC-CH328
L	EC-CH329
C-GREY	
R	EC-CEG028
L	EC-CEG029

	CENTAUR™	C-GREY
R	EC-CE247	EC-CEG147
L	EC-CE248	EC-CEG148

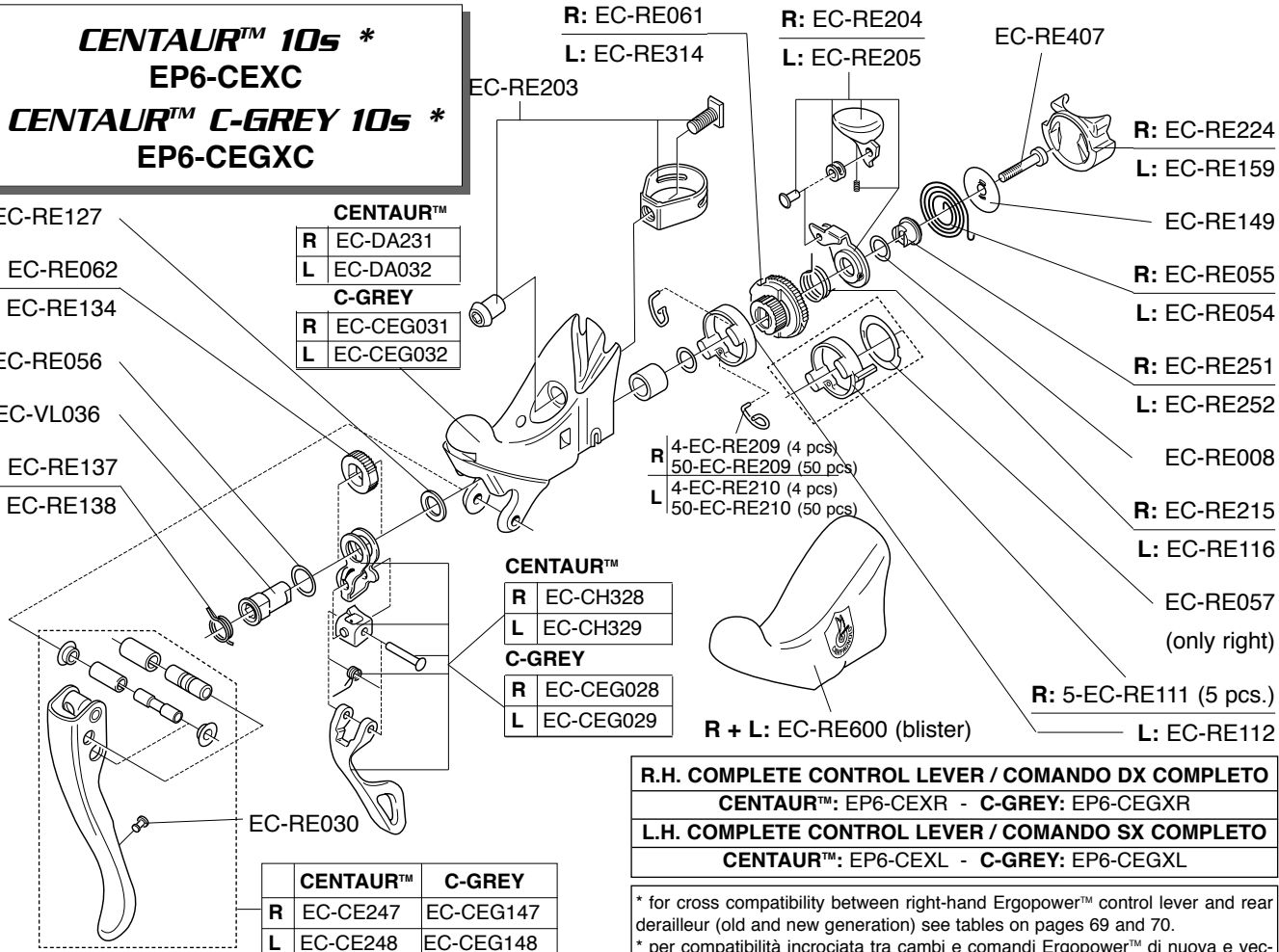
R.H. COMPLETE CONTROL LEVER / COMANDO DX COMPLETO
CENTAUR™: EP6-CEXR - C-GREY: EP6-CEGXR
L.H. COMPLETE CONTROL LEVER / COMANDO SX COMPLETO
CENTAUR™: EP6-CEXL - C-GREY: EP6-CEGXL

* for cross compatibility between right-hand Ergopower™ control lever and rear derailleur (old and new generation) see tables on pages 69 and 70.
 * per compatibilità incrociata tra cambi e comandi Ergopower™ di nuova e vecchia generazione vedi tabelle alle pagg. 69 e 70.

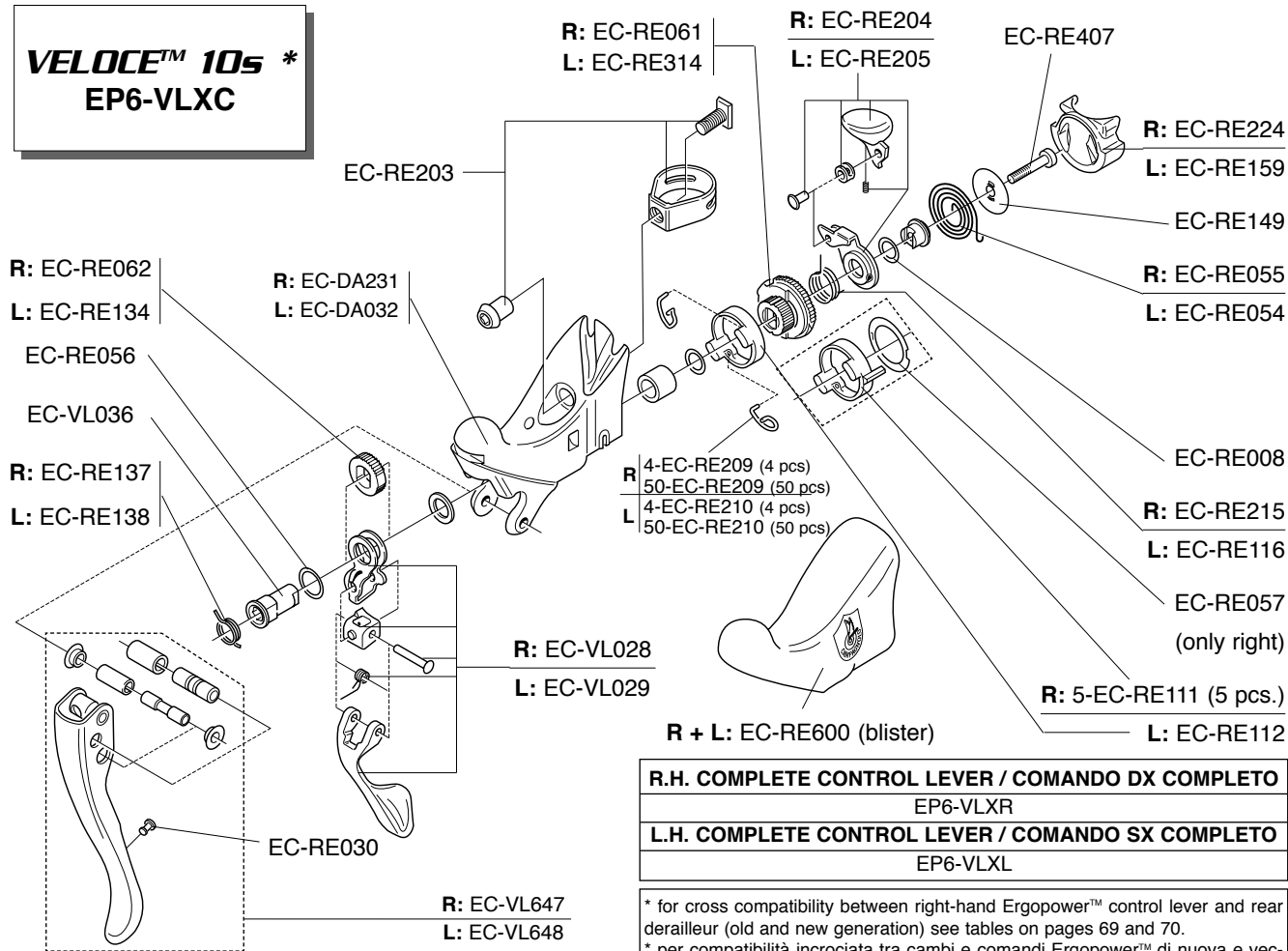
EC-RE127
 R: EC-RE062
 L: EC-RE134
 EC-RE056
 EC-VL036
 R: EC-RE137
 L: EC-RE138

EC-RE203

R 4-EC-RE209 (4 pcs)
 50-EC-RE209 (50 pcs)
 L 4-EC-RE210 (4 pcs)
 50-EC-RE210 (50 pcs)



VELOCE™ 10s * EP6-VLXC



R.H. COMPLETE CONTROL LEVER / COMANDO DX COMPLETO

EP6-VLXR

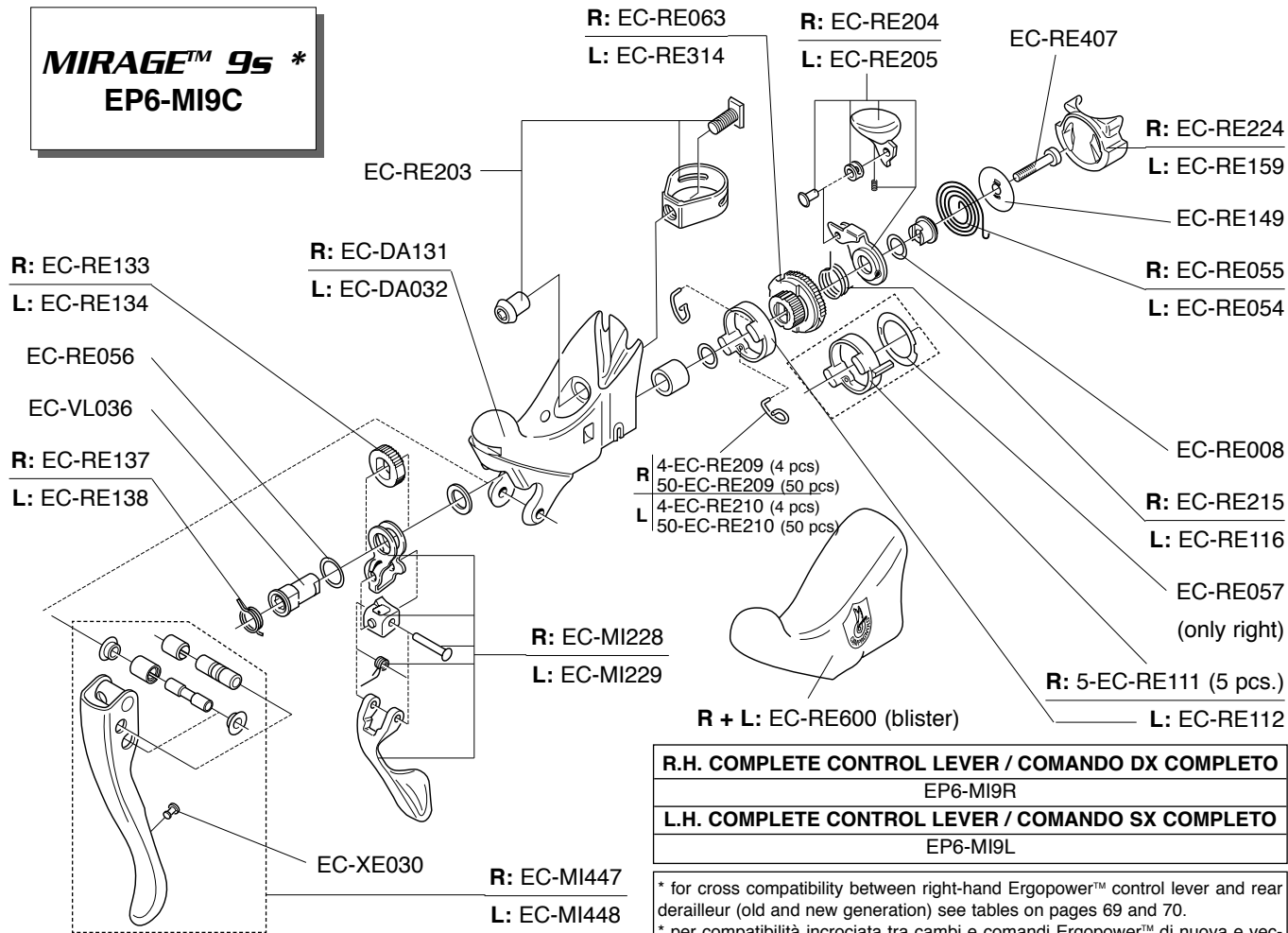
L.H. COMPLETE CONTROL LEVER / COMANDO SX COMPLETO

EP6-VLXL

* for cross compatibility between right-hand ErgoPower™ control lever and rear derailleur (old and new generation) see tables on pages 69 and 70.

* per compatibilità incrociata tra cambi e comandi ErgoPower™ di nuova e vecchia generazione vedi tabelle alle pagg. 69 e 70.

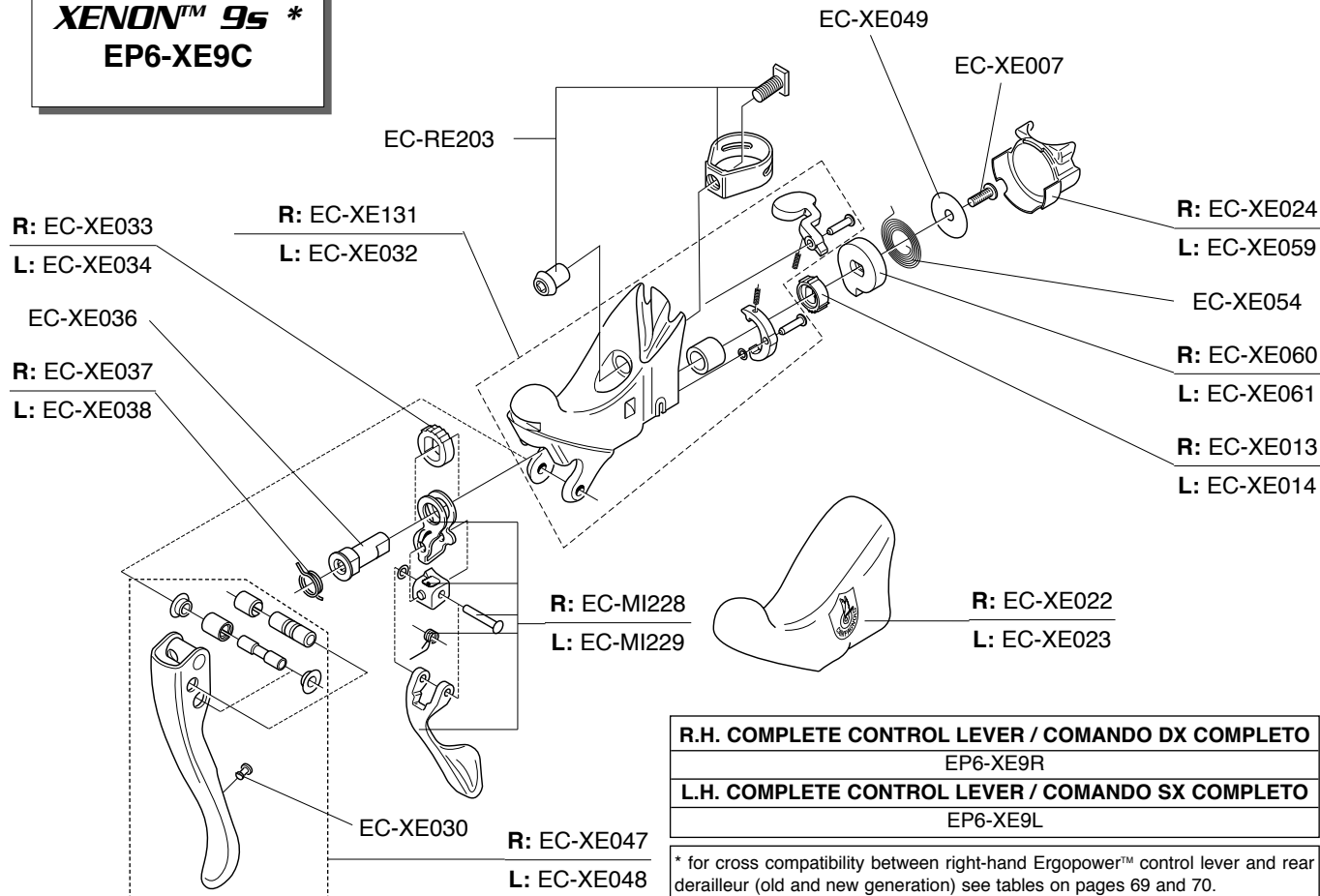
MIRAGE™ 9s *
EP6-MI9C



R.H. COMPLETE CONTROL LEVER / COMANDO DX COMPLETO
EP6-MI9R
L.H. COMPLETE CONTROL LEVER / COMANDO SX COMPLETO
EP6-MI9L

* for cross compatibility between right-hand ErgoPower™ control lever and rear derailleur (old and new generation) see tables on pages 69 and 70.
* per compatibilità incrociata tra cambi e comandi ErgoPower™ di nuova e vecchia generazione vedi tabelle alle pagg. 69 e 70.

XENON™ 9s *
EP6-XE9C




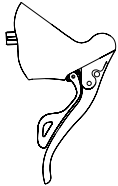
R.H. COMPLETE CONTROL LEVER / COMANDO DX COMPLETO
EP6-XE9R
L.H. COMPLETE CONTROL LEVER / COMANDO SX COMPLETO
EP6-XE9L

* for cross compatibility between right-hand Ergopower™ control lever and rear derailleur (old and new generation) see tables on pages 69 and 70.
* per compatibilità incrociata tra cambi e comandi Ergopower™ di nuova e vecchia generazione vedi tabelle alle pagg. 69 e 70.

**CROSS COMPATIBILITY BETWEEN RIGHT-HAND ERGOPOWER™
CONTROL LEVERS AND REAR DERAILLEURS
(old and new generation)**

**COMPATIBILITÀ INCROCIATA TRA COMANDI ERGOPOWER™ DX E CAMBI
(nuova e vecchia generazione)**

ERGOPOWER™ CONTROL LEVERS / COMANDI ERGOPOWER™

SPEED / VELOCITÀ	YEAR / ANNO	FEATURES / CARATTERISTICHE		
8s	< 1988	"old style" (pointed) body / corpo a punta		OLD STYLE
9s	1997	"old style" (pointed) body / corpo a punta		
9s	1998	"new style" (rounded) body / corpo arrotondato		
9s	1999-2000	"new style" (rounded) body, ErgoBrain computer ready / corpo arrotondato, predisposizione ErgoBrain (pulsantino sul coprisupporto)		NEW STYLE
9s	2001-2006	"9 speed" mark, "new style" (rounded) body, ErgoBrain computer ready / logo "9 speed" sul corpo, corpo arrotondato, predisposizione ErgoBrain (pulsantino sul coprisupporto)		
10s	2000-2006	"10 speed" mark, "new style" (rounded) body, ErgoBrain computer ready / logo "10 speed" sul corpo, corpo arrotondato, predisposizione ErgoBrain (pulsantino sul coprisupporto)		

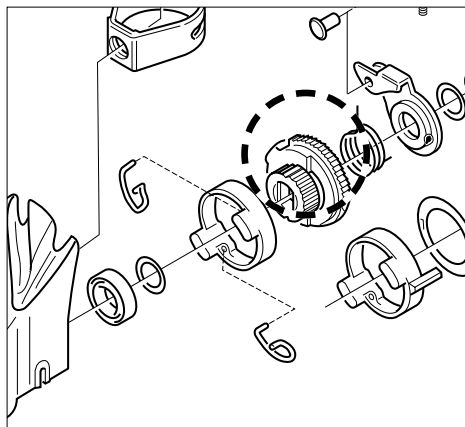
REAR DERAILLEUR / CAMBIO

SPEED / VELOCITÀ	YEAR / ANNO	FEATURES / CARATTERISTICHE
8s	< 1998	adjusting system on the upper body / sistema di registrazione sul corpo superiore
9s	1997-2000	adjusting system on the upper body / sistema di registrazione sul corpo superiore
9s	2001-2006	adjusting system on the lower body / sistema di registrazione sul corpo inferiore



**CROSS COMPATIBILITY BETWEEN RIGHT-HAND ERGOPOWER™
CONTROL LEVERS AND REAR DERAILLEURS
(old and new generation)**

**COMPATIBILITÀ INCROCIATA TRA COMANDI ERGOPOWER™ DX E CAMBI
(nuova e vecchia generazione)**

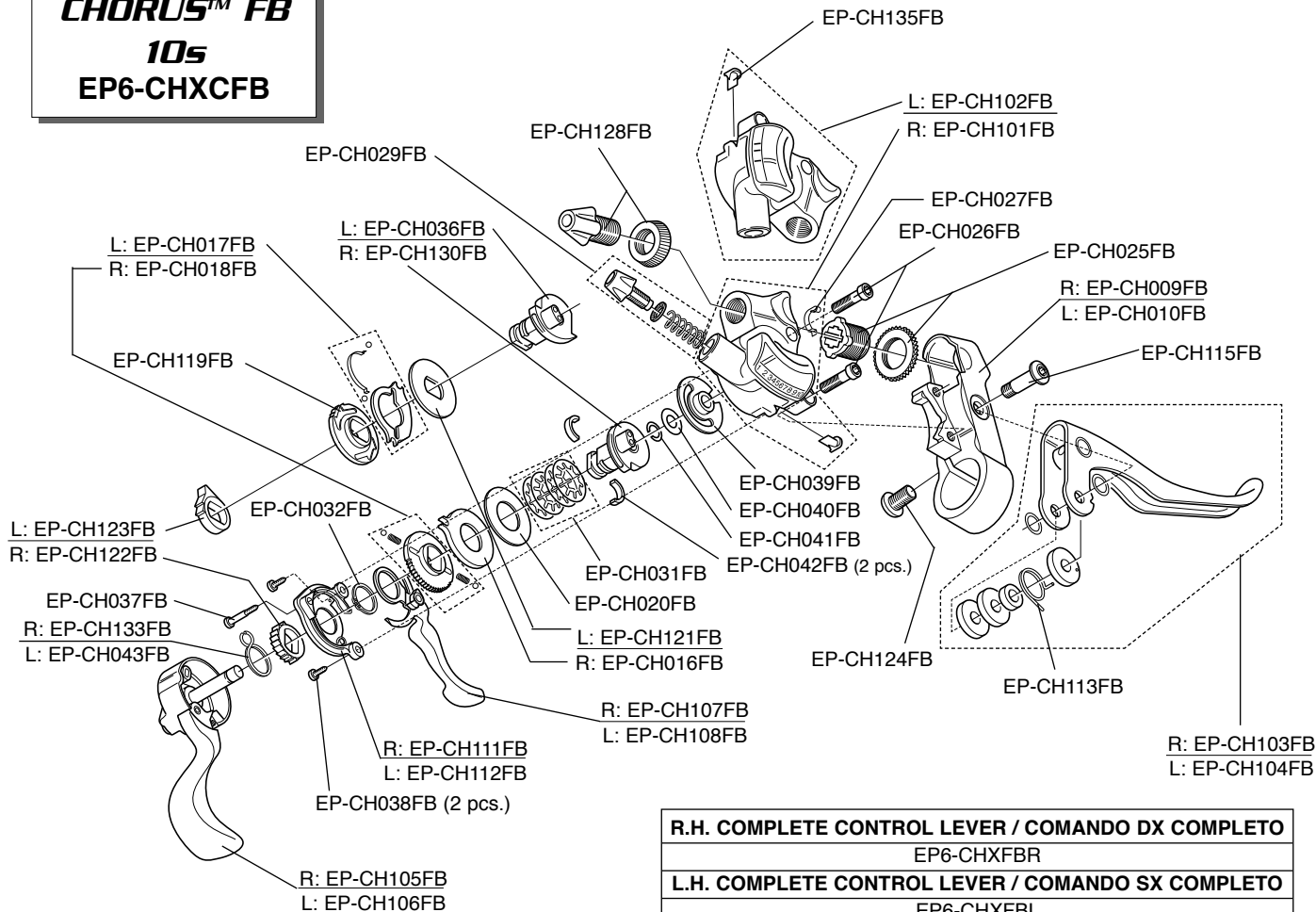


The codes in the table are referring to the indexing ratchet of the right-hand Ergopower™ (see the figure). To ensure the compatibility between replace the indexing ratchet with the one indicated in the table (referring to the rear derailleur / Ergopower™ control levers combination).

I codici in tabella si riferiscono alla bussola dentata (evidenziata in figura) del comando dx Ergopower™: per assicurare la compatibilità tra cambio ed Ergopower destro, va eventualmente sostituita la bussola dentata esistente con quella indicata in tabella (a seconda della combinazione cambio / comandi Ergopower™).

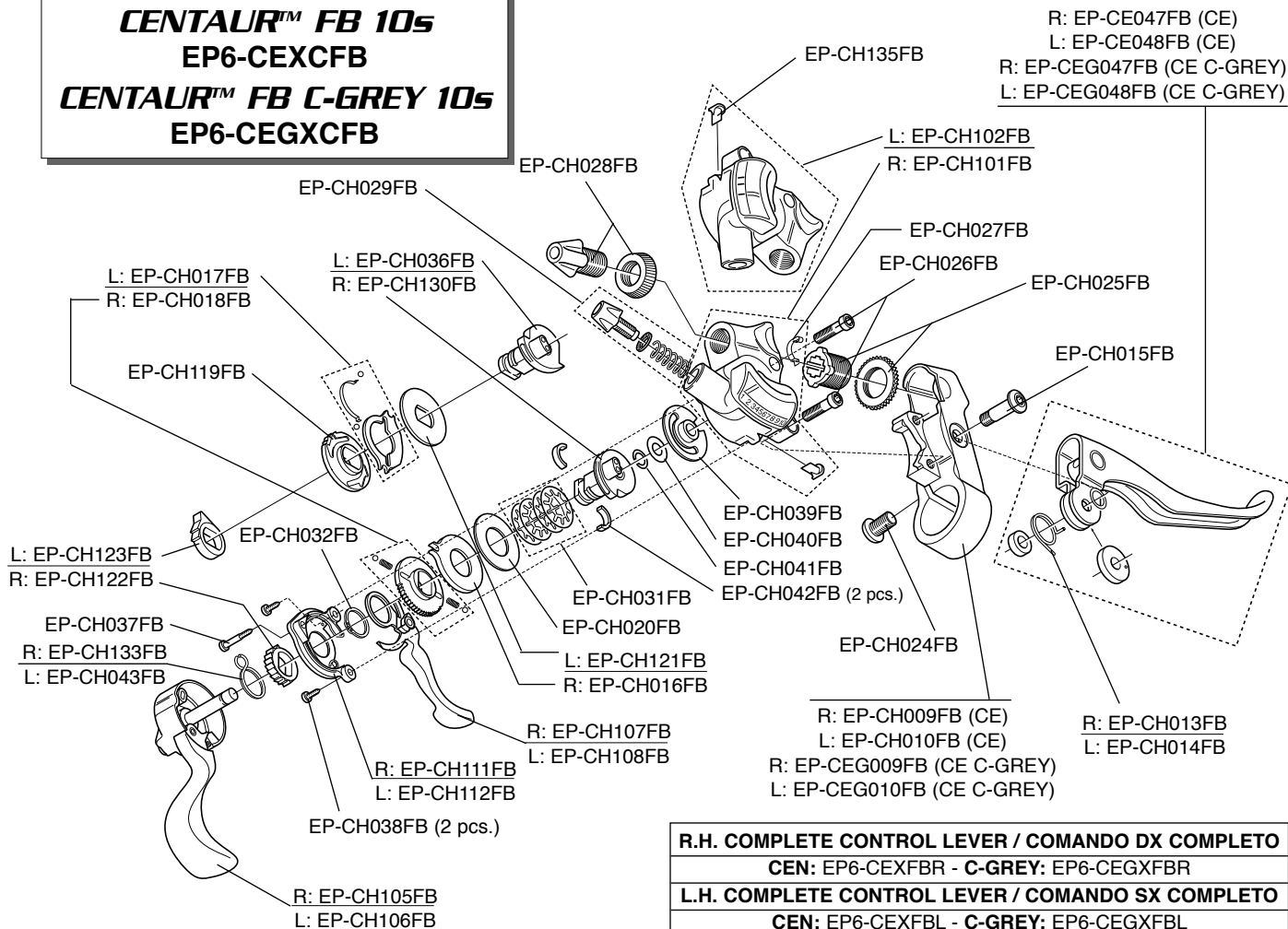
	9s 2001-2006 rear derailleur / cambio 9s 2001-2006	9s 1997-2000 rear derailleur / cambio 9s 1997-2000	8s rear derailleur / cambio 8s
Ergopower™ 8s	OK * (with C9 chain / con catena C9)	OK * (with C9 chain / con catena C9)	OK
Ergopower™ 9s 1999-2000	EC-RE063	OK	EC-RE060
Ergopower™ 9s 2001-2006	OK	EC-RE313	EC-RE060
Ergopower™ 10s 2000-2006	EC-RE063	EC-RE313	EC-RE060

CHORUS™ FB
10s
EP6-CHXCFB

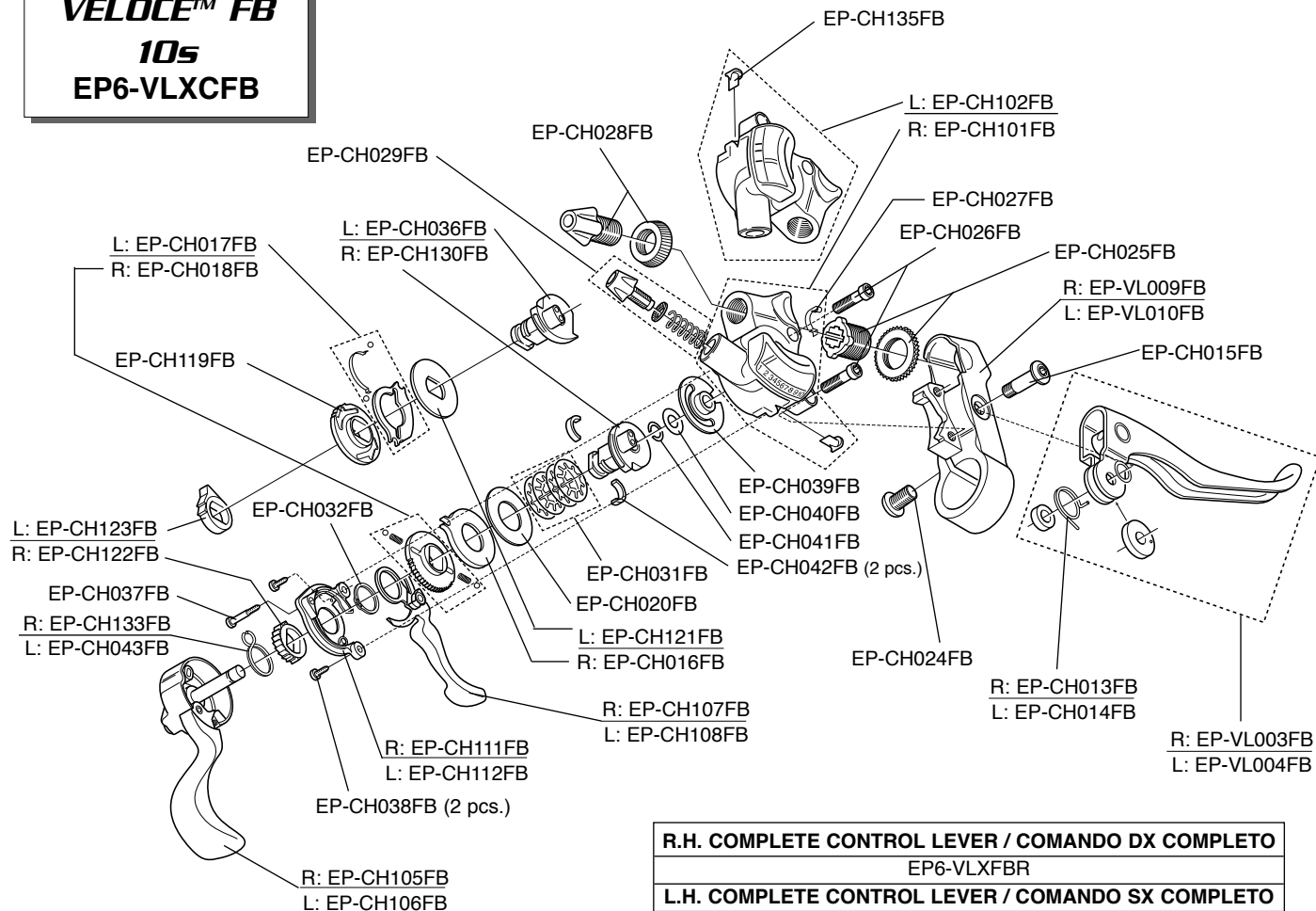


R.H. COMPLETE CONTROL LEVER / COMANDO DX COMPLETO
EP6-CHXFBR
L.H. COMPLETE CONTROL LEVER / COMANDO SX COMPLETO
EP6-CHXFBL

**CENTAUR™ FB 10s
EP6-CEXCFB
CENTAUR™ FB C-GREY 10s
EP6-CEGXCFB**

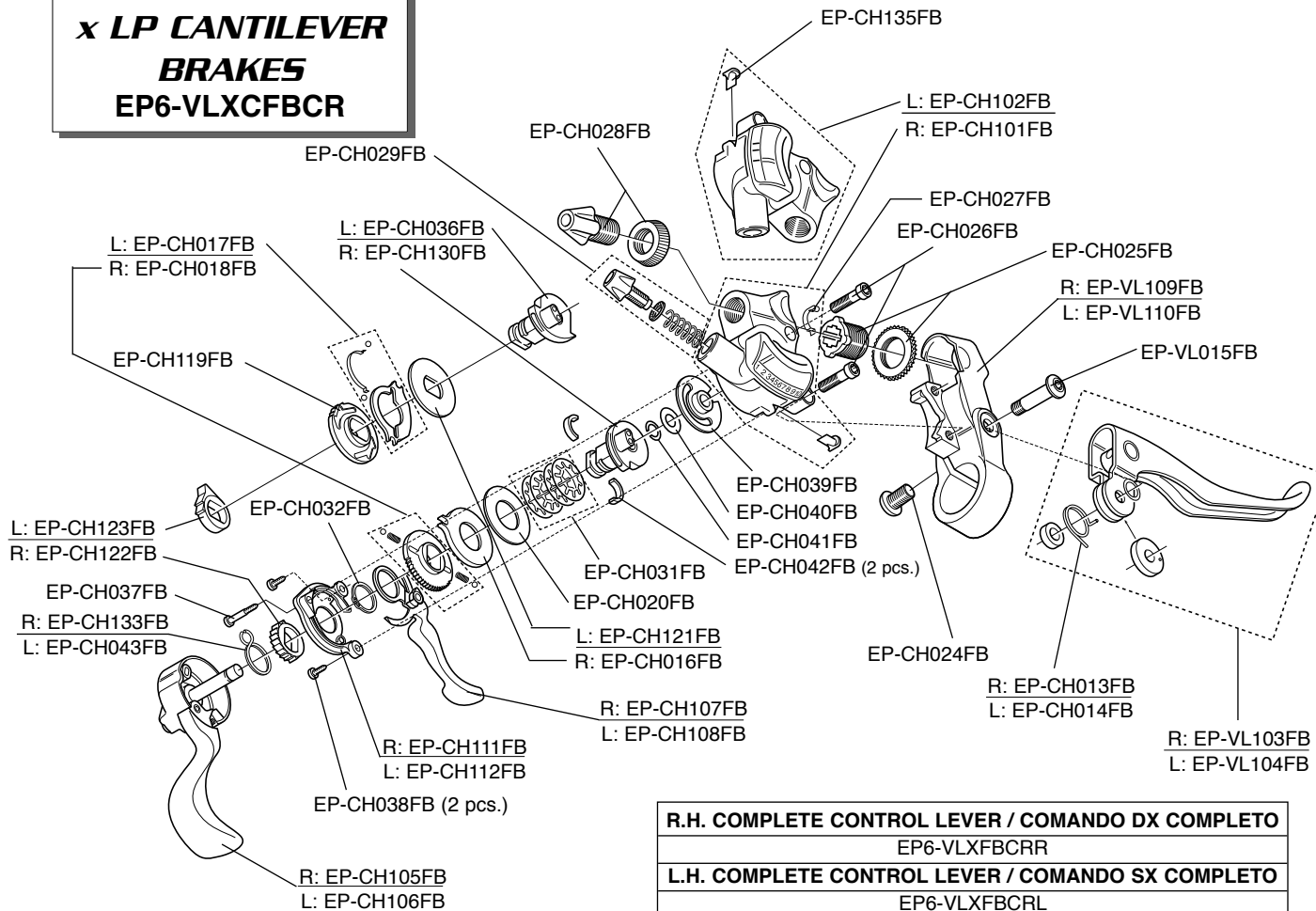


VELOCE™ FB
10s
EP6-VLXCFB



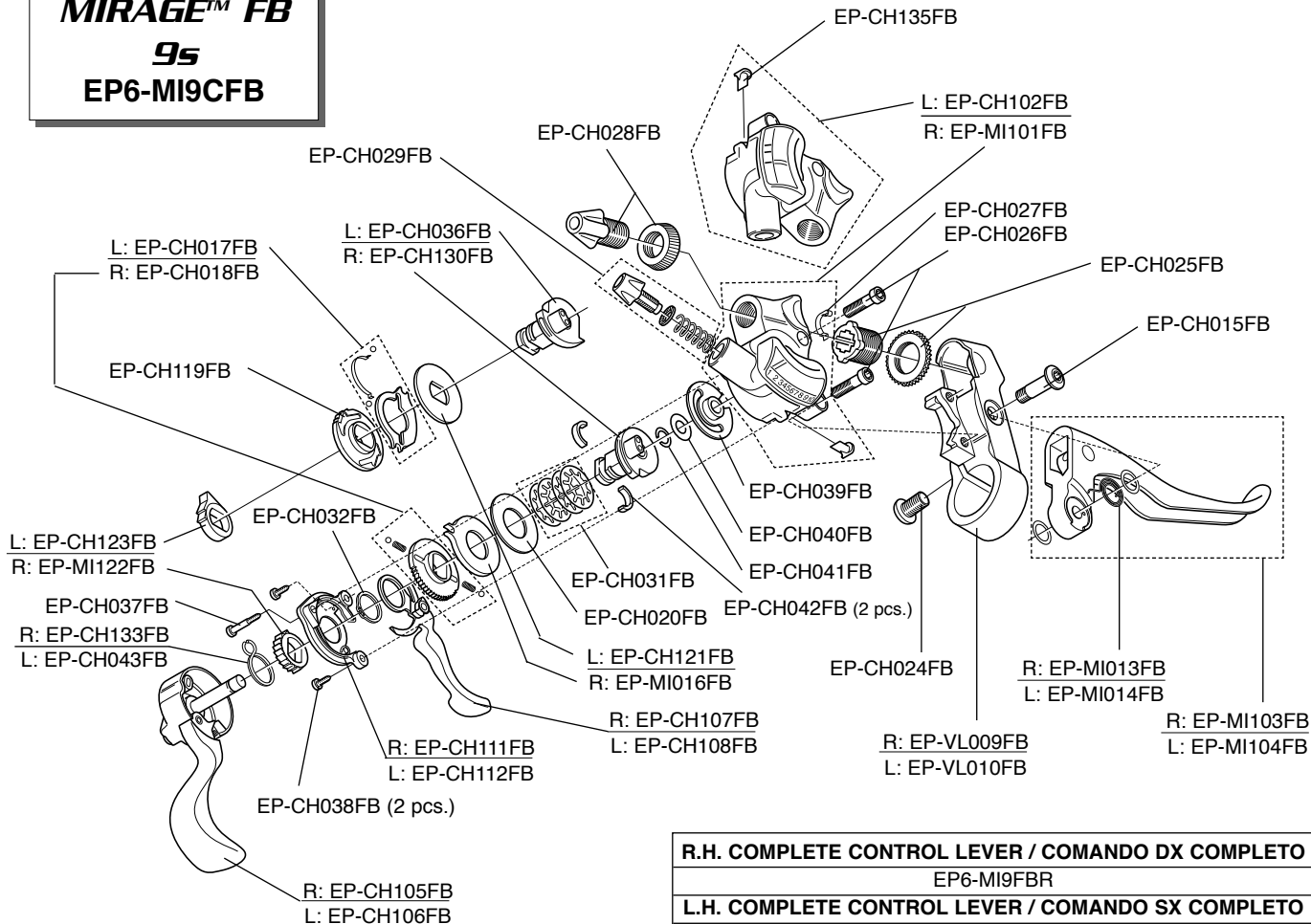
R.H. COMPLETE CONTROL LEVER / COMANDO DX COMPLETO
EP6-VLXFBR
L.H. COMPLETE CONTROL LEVER / COMANDO SX COMPLETO
EP6-VLXFBL

**VELOCE™ FB 10s
x LP CANTILEVER
BRAKES
EP6-VLXCFBCR**



R.H. COMPLETE CONTROL LEVER / COMANDO DX COMPLETO
EP6-VLXFCBRR
L.H. COMPLETE CONTROL LEVER / COMANDO SX COMPLETO
EP6-VLXFCBRL

MIRAGE™ FB
9s
EP6-MI9CFB



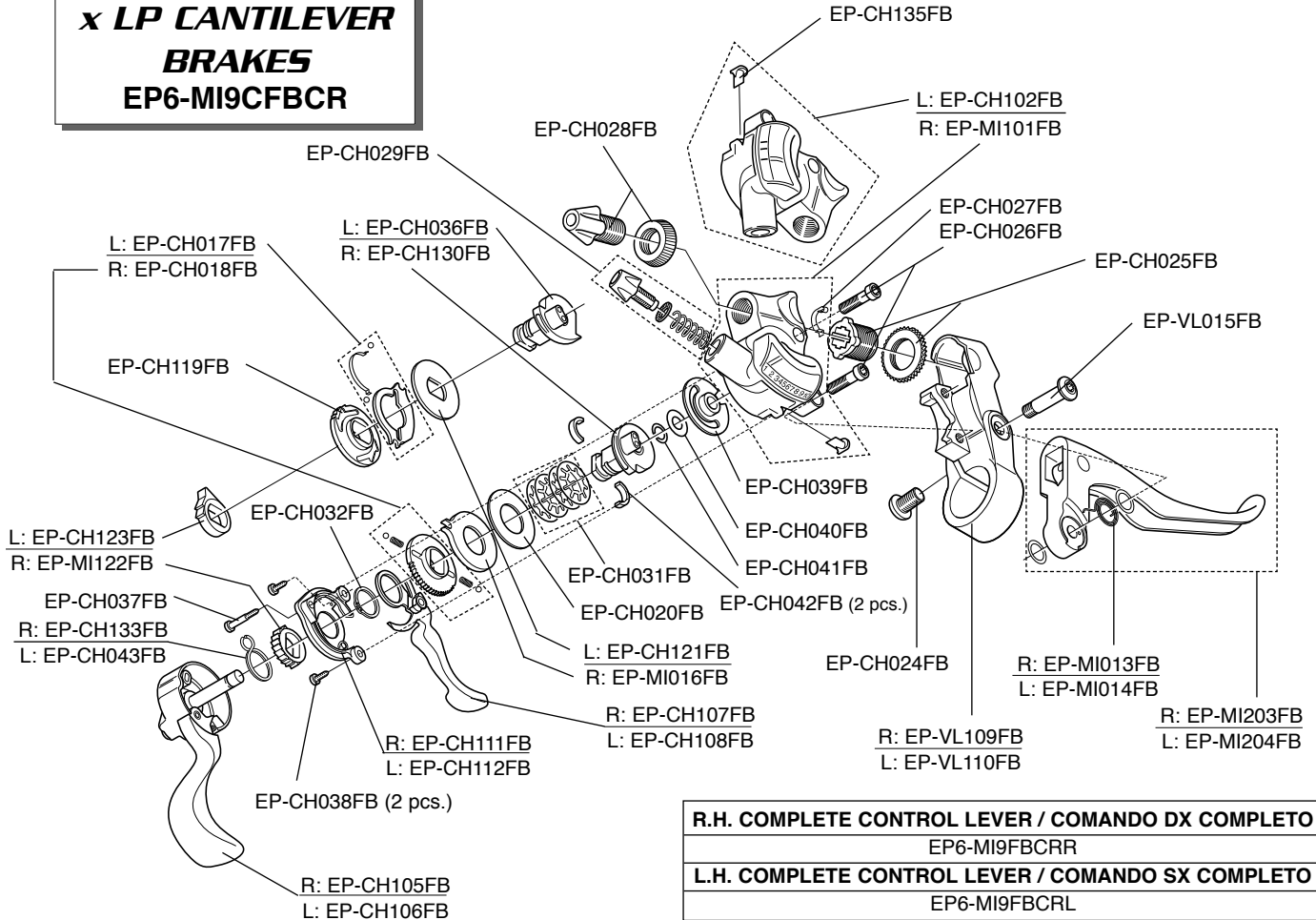
R.H. COMPLETE CONTROL LEVER / COMANDO DX COMPLETO

EP6-MI9FBR

L.H. COMPLETE CONTROL LEVER / COMANDO SX COMPLETO

EP6-MI9FBL

**MIRAGE™ FB 10s
x LP CANTILEVER
BRAKES
EP6-MI9CFBCR**

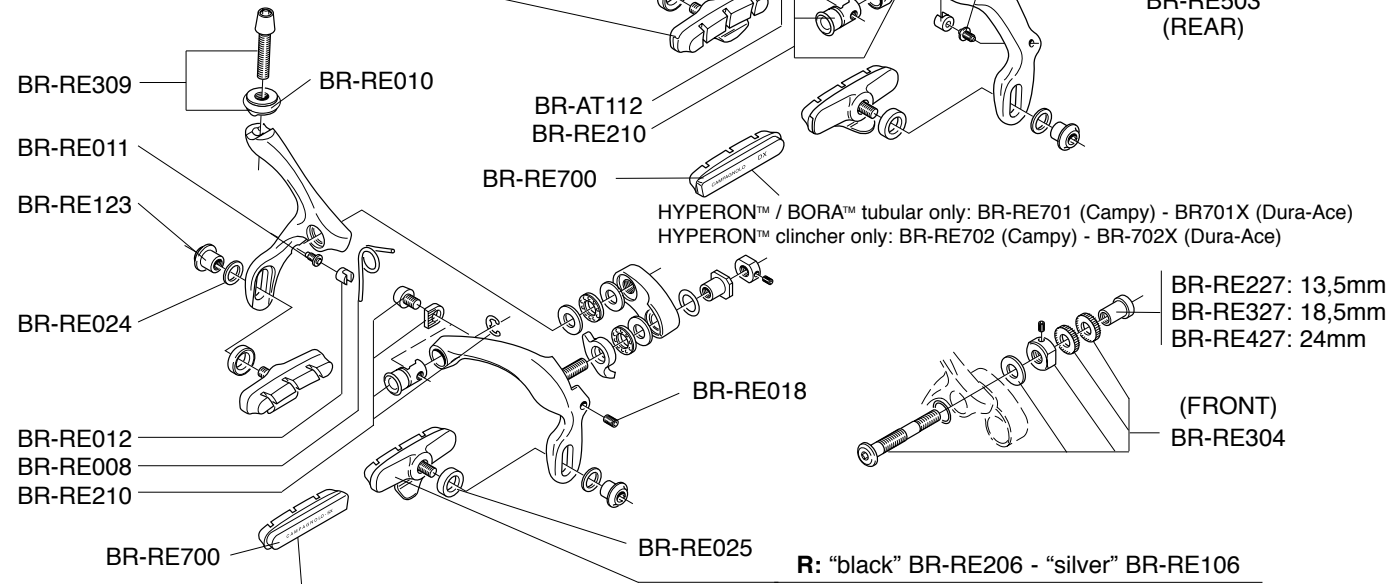


R.H. COMPLETE CONTROL LEVER / COMANDO DX COMPLETO
EP6-MI9FBCRR
L.H. COMPLETE CONTROL LEVER / COMANDO SX COMPLETO
EP6-MI9FBCRL

RECORD™-D
BR4-RED “black”
BR02-RED “silver”

R: “black” BR-RE206 - “silver” BR-RE106

L: “black” BR-RE207 - “silver” BR-RE107

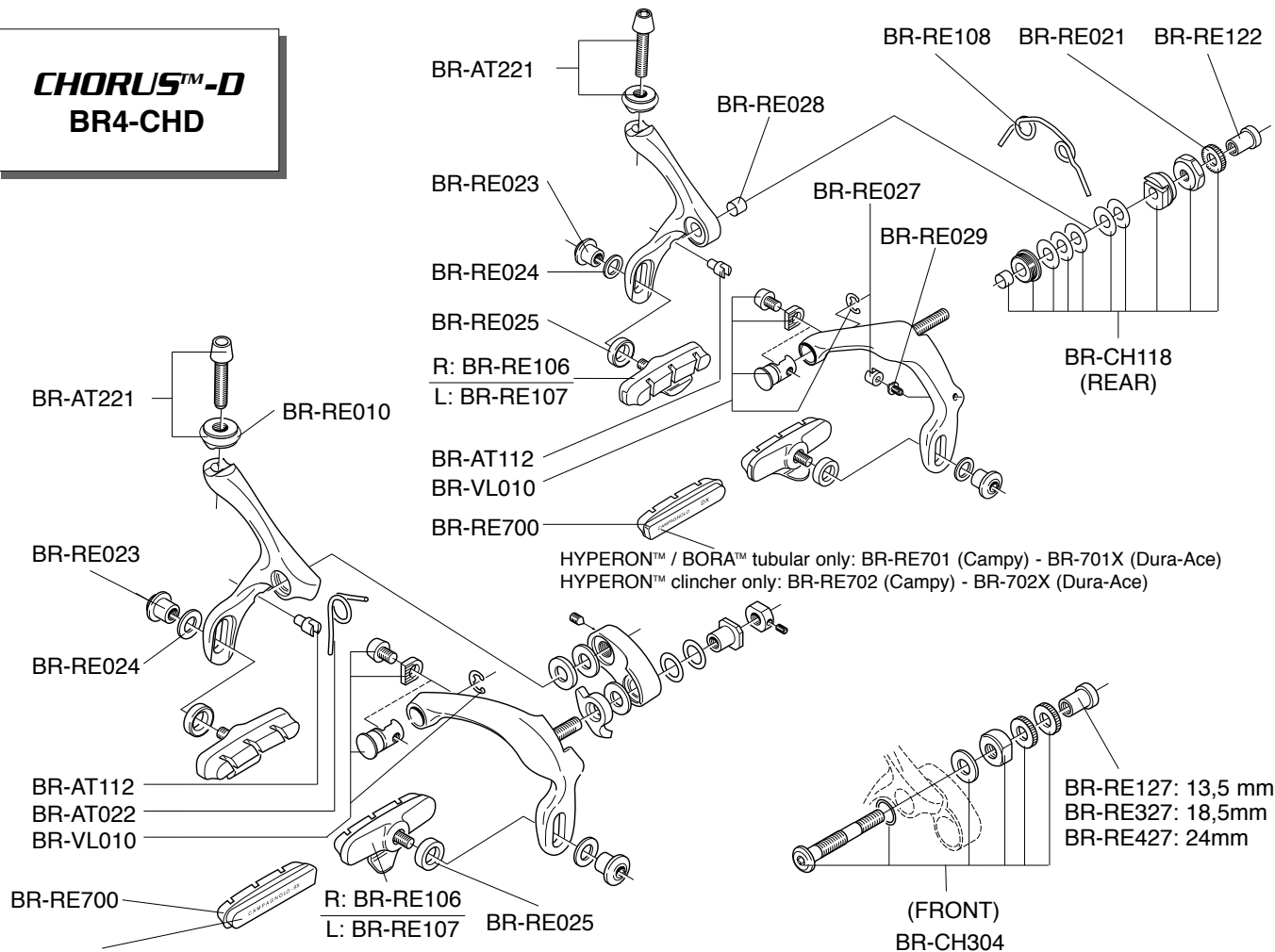


R: “black” BR-RE206 - “silver” BR-RE106

L: “black” BR-RE207 - “silver” BR-RE107

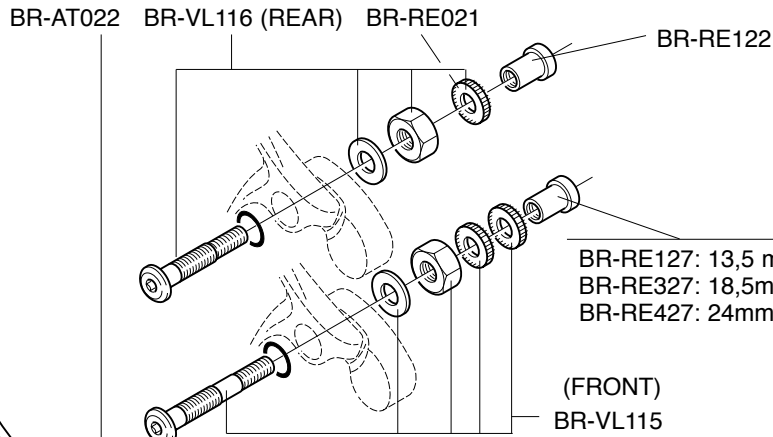
HYPERON™ / BORA™ tubular only: BR-RE701 (Campy) - BR-701X (Dura-Ace)
 HYPERON™ clincher only: BR-RE702 (Campy) - BR-702X (Dura-Ace)

CHORUS™-D BR4-CHD

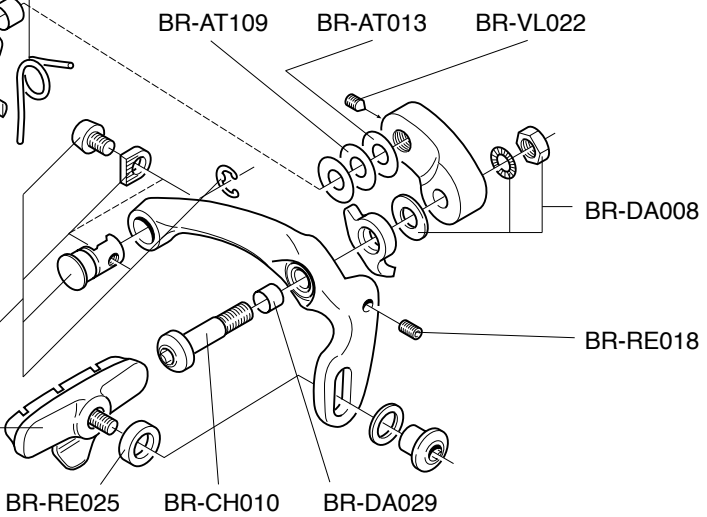
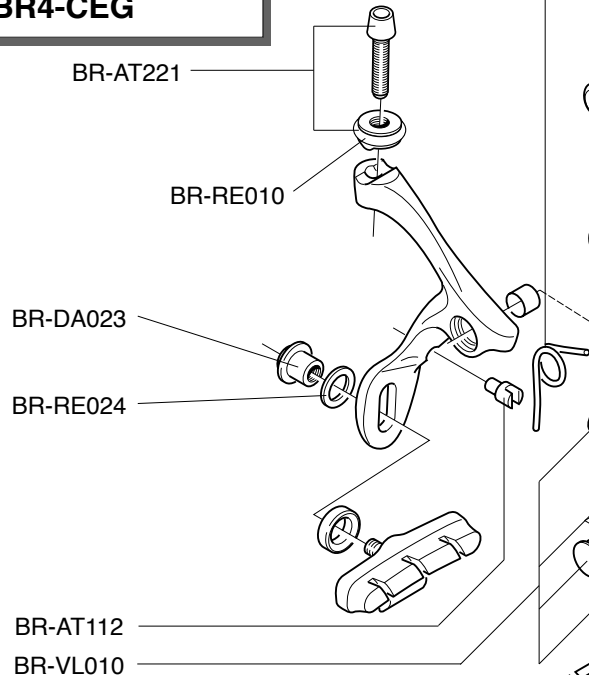


HYPERON™ / BORA™ tubular only: BR-RE701 (Campy) - BR-701X (Dura-Ace)
HYPERON™ clincher only: BR-RE702 (Campy) - BR-702X (Dura-Ace)

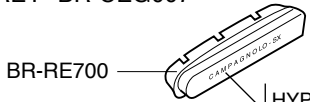
CENTAUR™
BR4-CE
CENTAUR™ C-GREY
BR4-CEG



BR-RE127: 13,5 mm
 BR-RE327: 18,5mm
 BR-RE427: 24mm



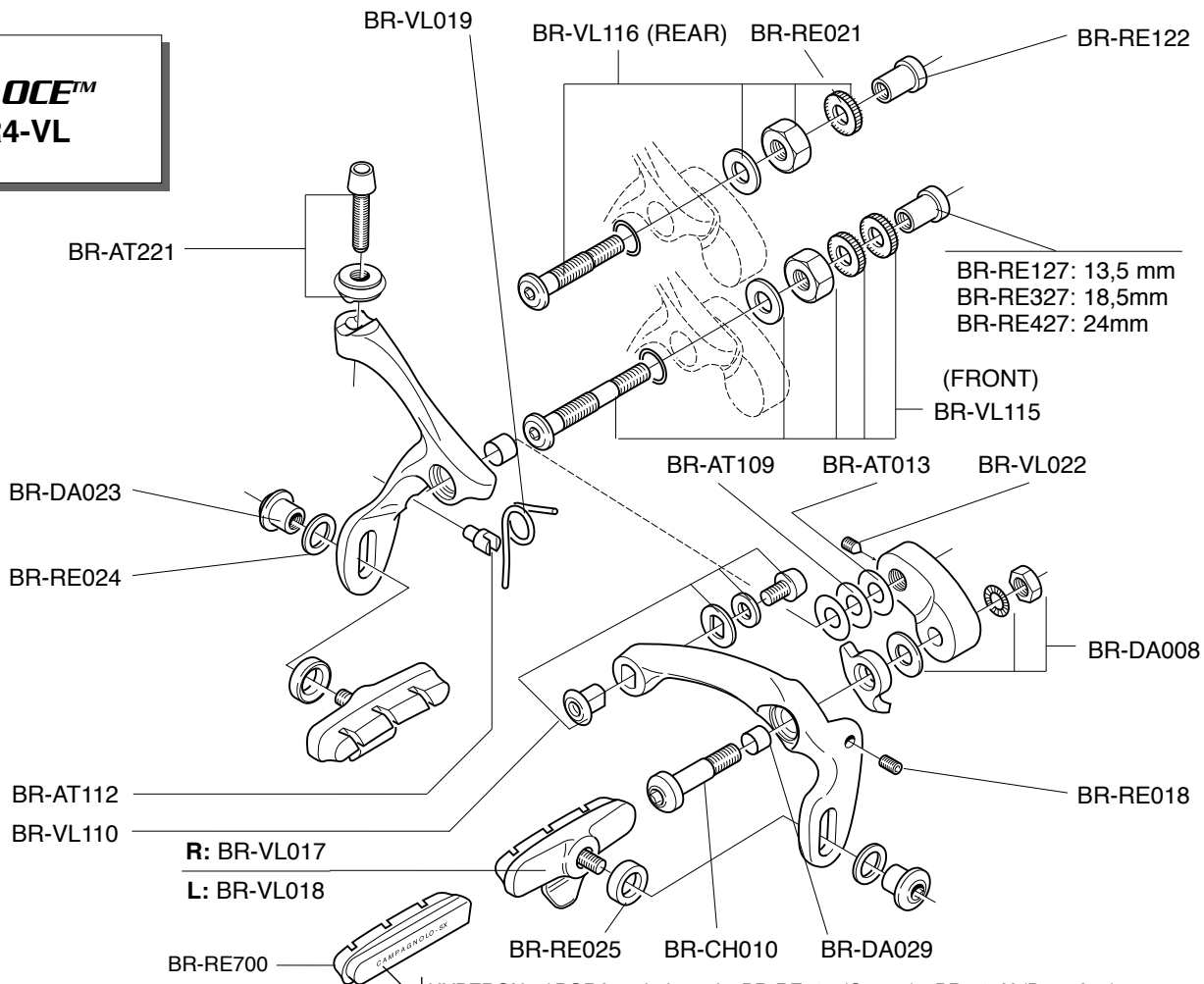
R: "CEN" BR-RE106 - "C-GREY" BR-CEG006
 L: "CEN" BR-RE107 - "C-GREY" BR-CEG007



HYPERON™ / BORA™ tubular only: BR-RE701 (Campy) - BR-701X (Dura-Ace)
 HYPERON™ clincher only: BR-RE702 (Campy) - BR-702X (Dura-Ace)

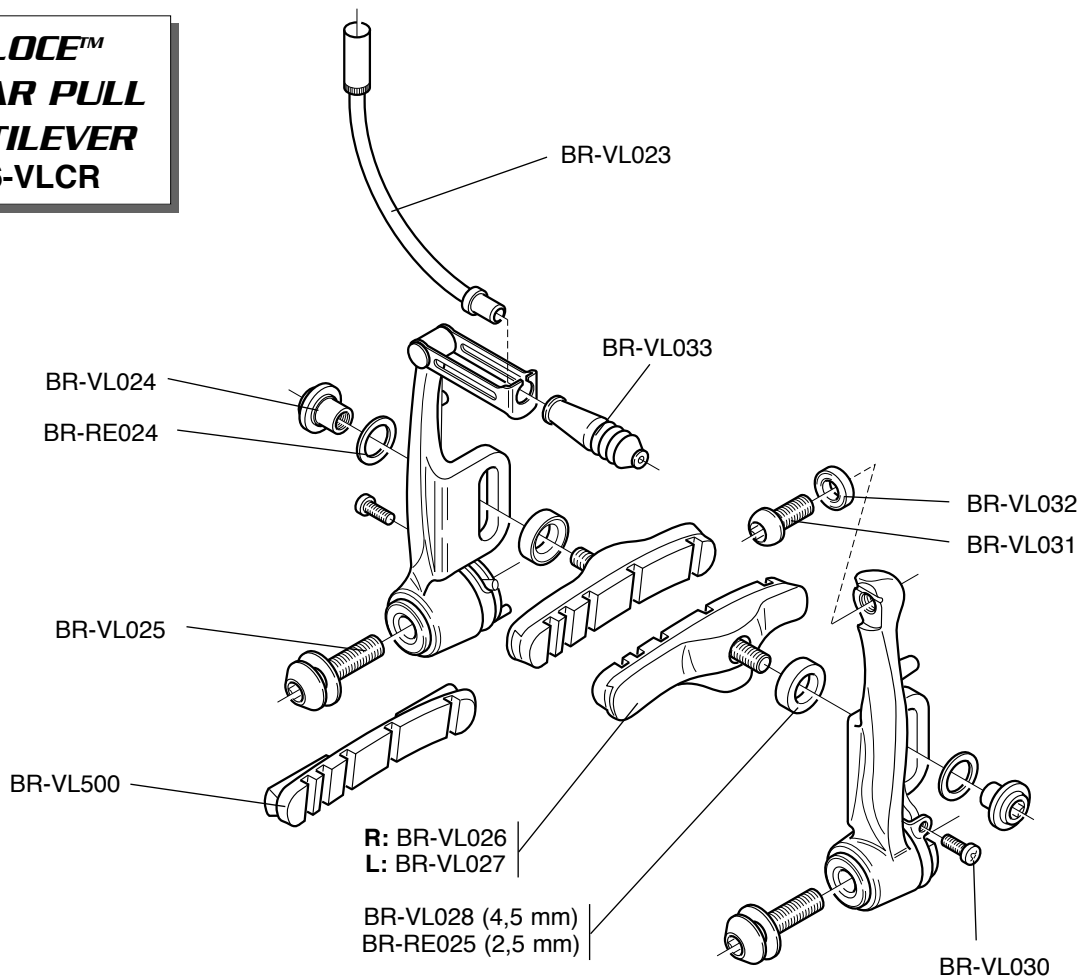
BRAKES

VELOCE™ BR4-VL

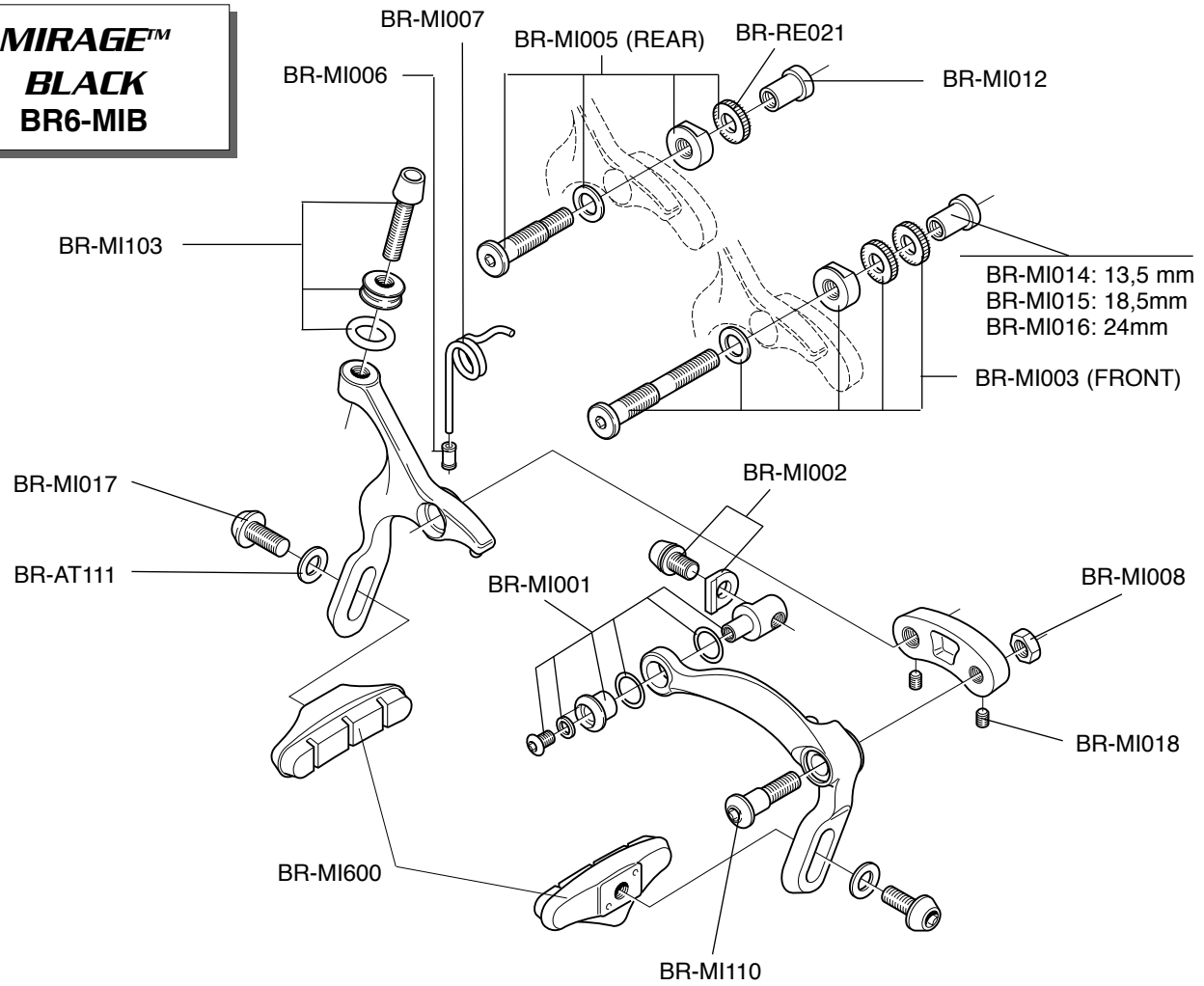


HYPERON™ / BORA™ tubular only: BR-RE701 (Campy) - BR-701X (Dura-Ace)
HYPERON™ clincher only: BR-RE702 (Campy) - BR-702X (Dura-Ace)

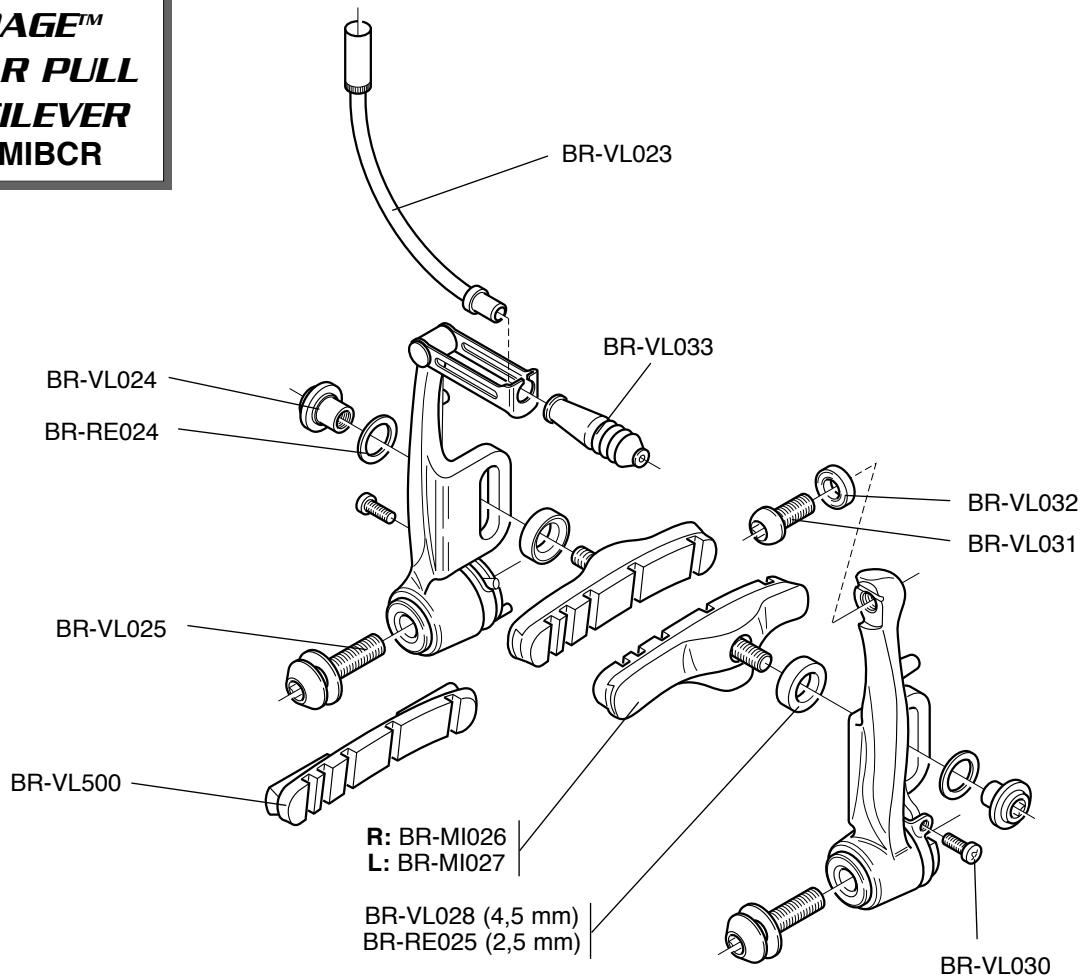
VELOCE™
LINEAR PULL
CANTILEVER
BR6-VLCR



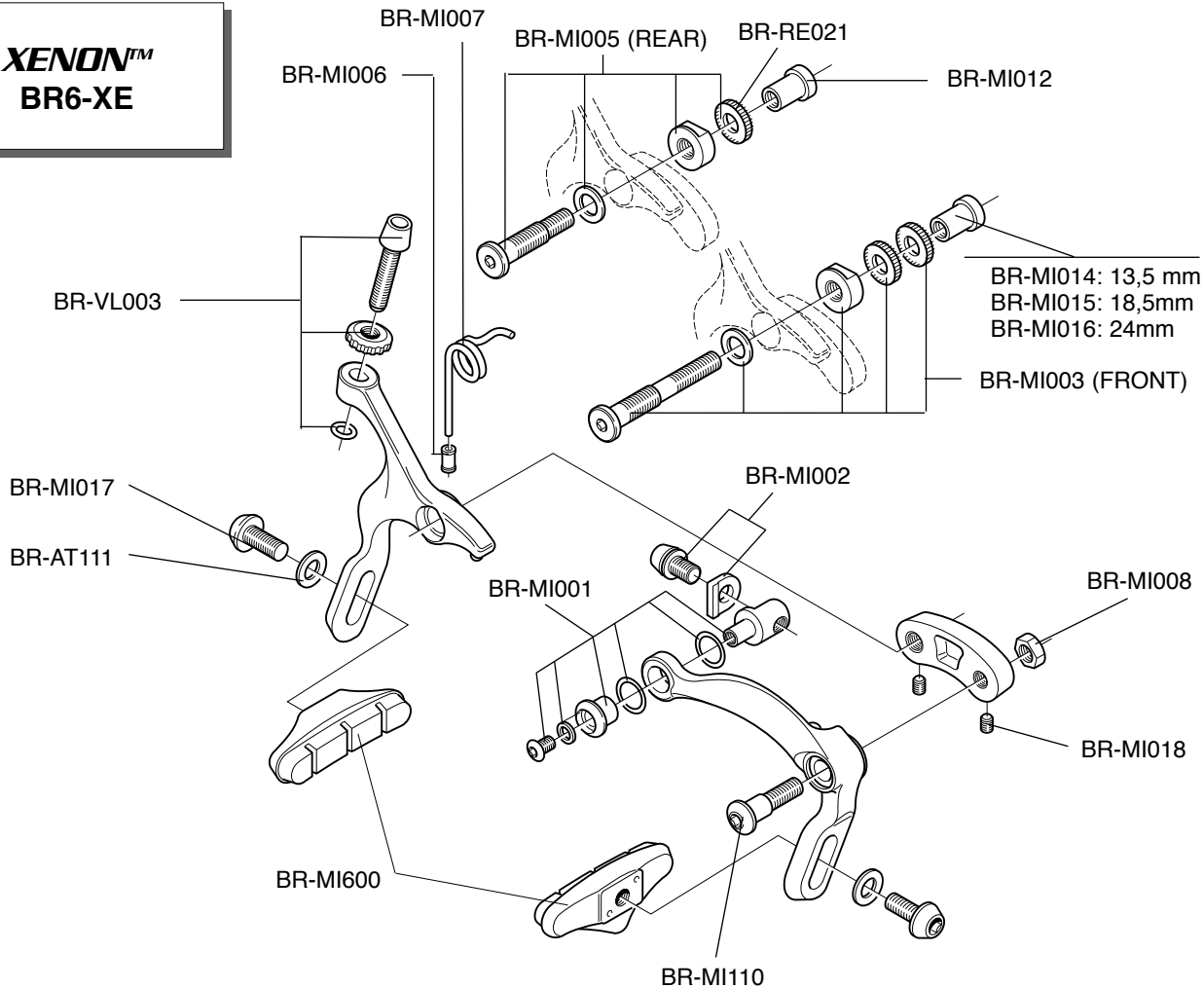
MIRAGE™
BLACK
BR6-MIB



**MIRAGE™
LINEAR PULL
CANTILEVER
BR6-MIBCR**



XENON™ BR6-XE



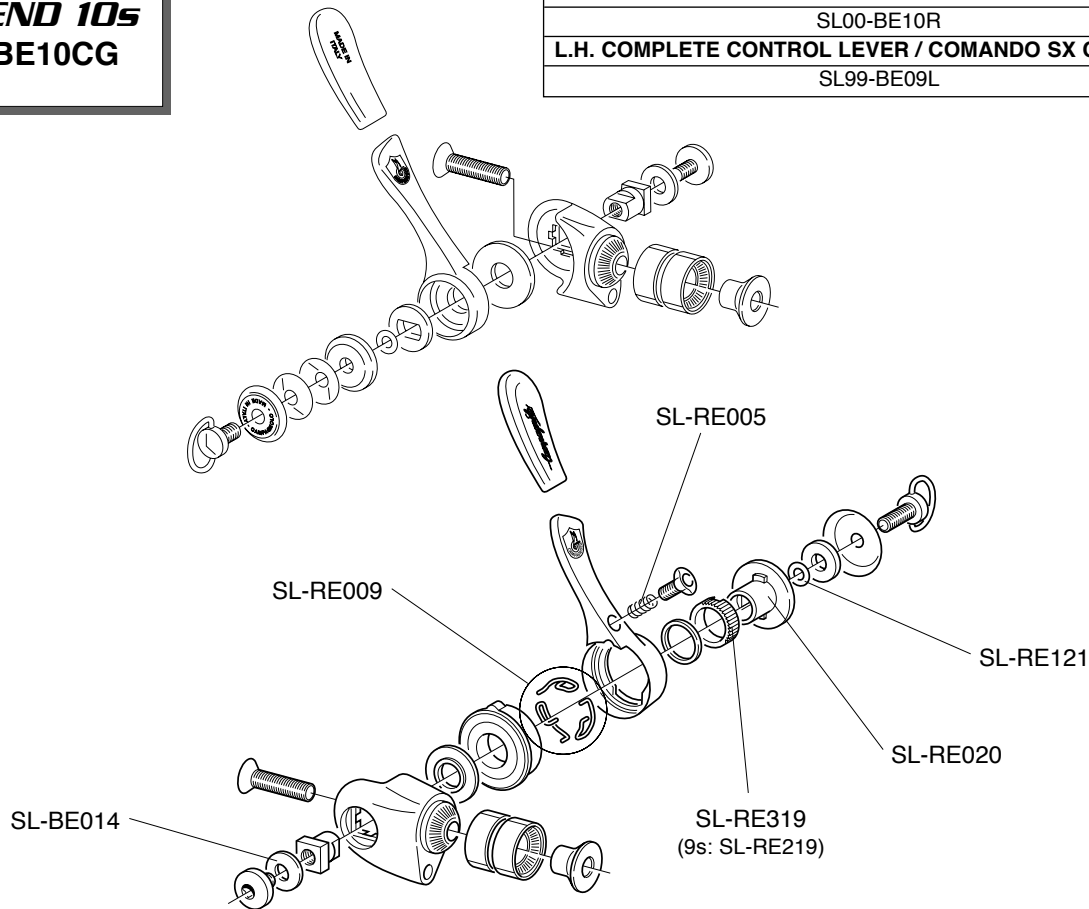
BAR-END 10s
SL00-BE10CG

R.H. COMPLETE CONTROL LEVER / COMANDO DX COMPLETO

SL00-BE10R

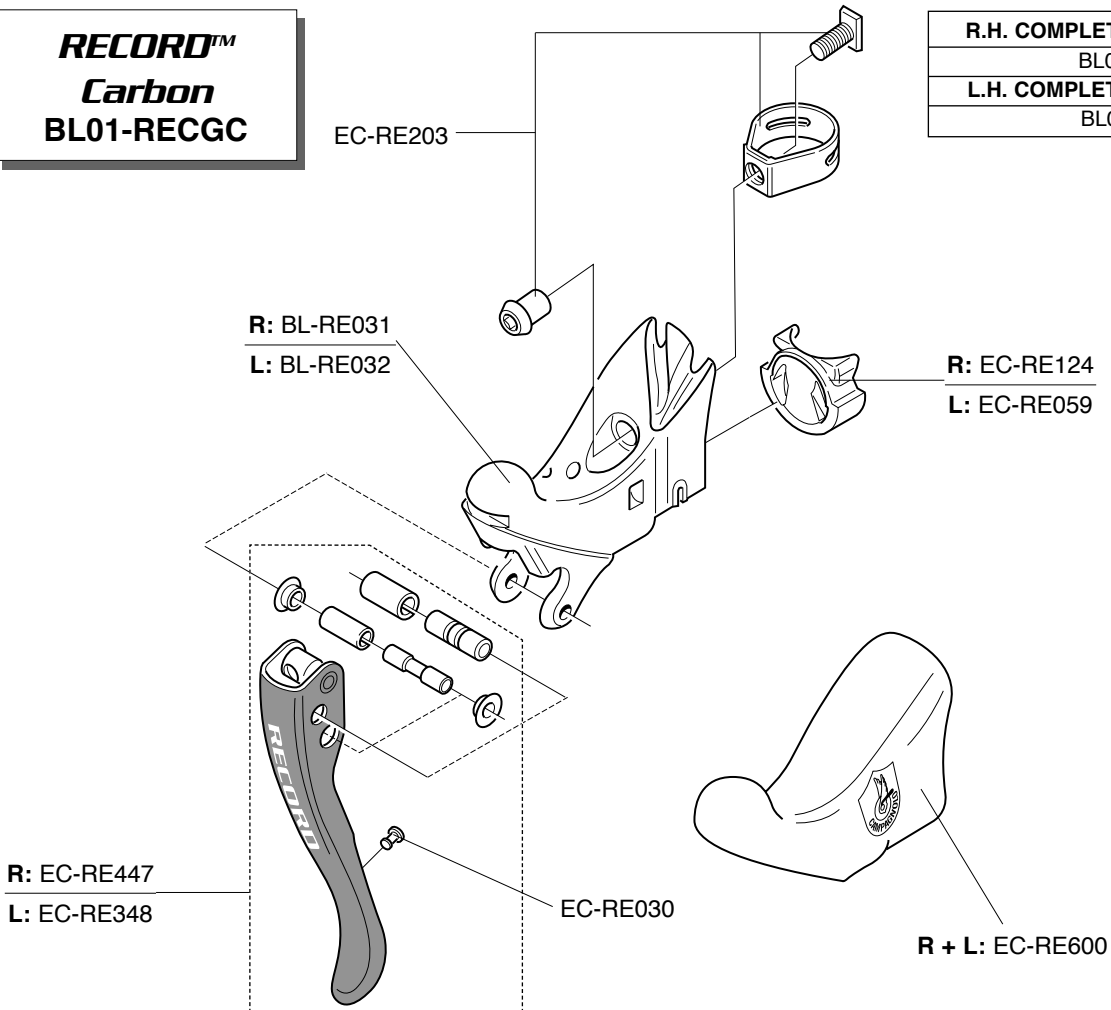
L.H. COMPLETE CONTROL LEVER / COMANDO SX COMPLETO

SL99-BE09L



RECORD™
Carbon
BL01-RECGC

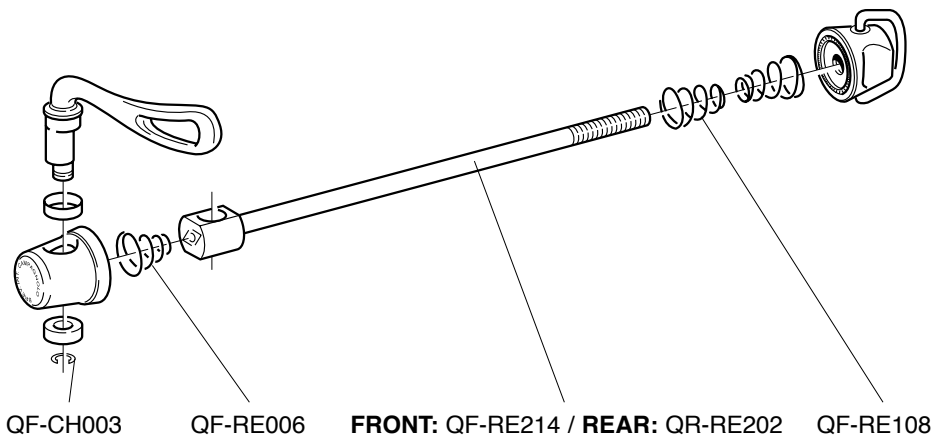
R.H. COMPLETE / DX COMPLETO
BL01-RECR
L.H. COMPLETE / SX COMPLETO
BL01-RECL



RECORD™

front: QF-RE121

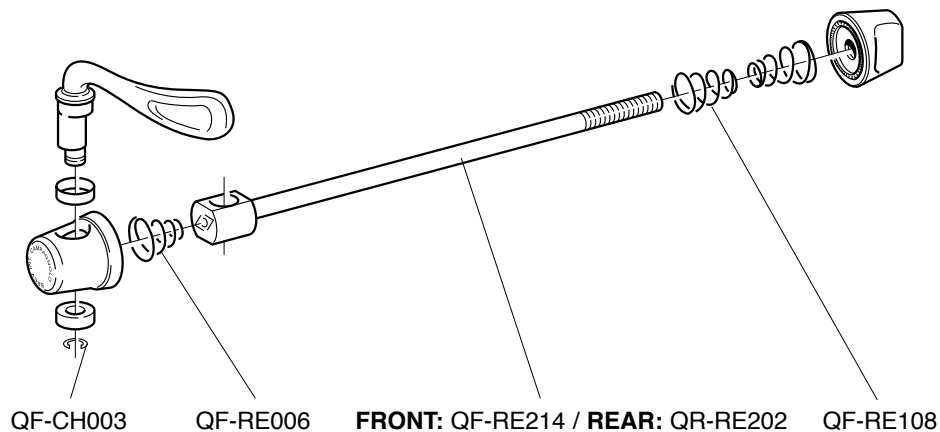
rear: QR-RE121



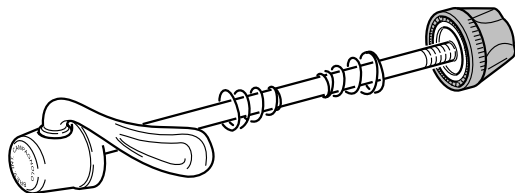
CHORUS™

front: QF-CH111

rear: QR-CH111



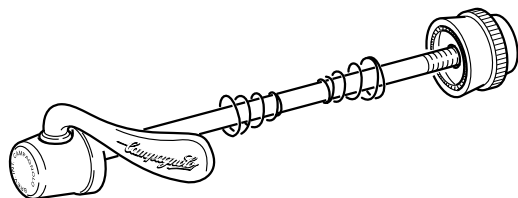
CENTAUR™



FRONT: QF-AT101

REAR: QR-AT101

VELOCE™

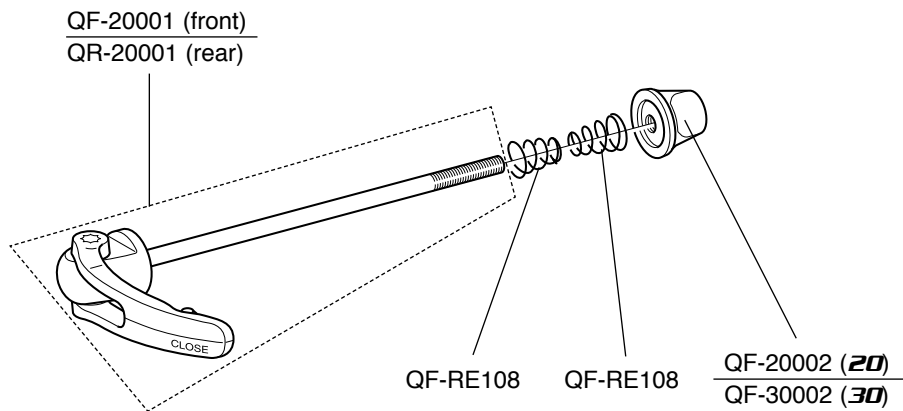


FRONT: QF-VL001

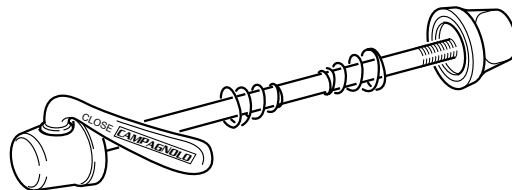
REAR: QR-VL001

QF6-20 (front)
QR6-20 (rear)

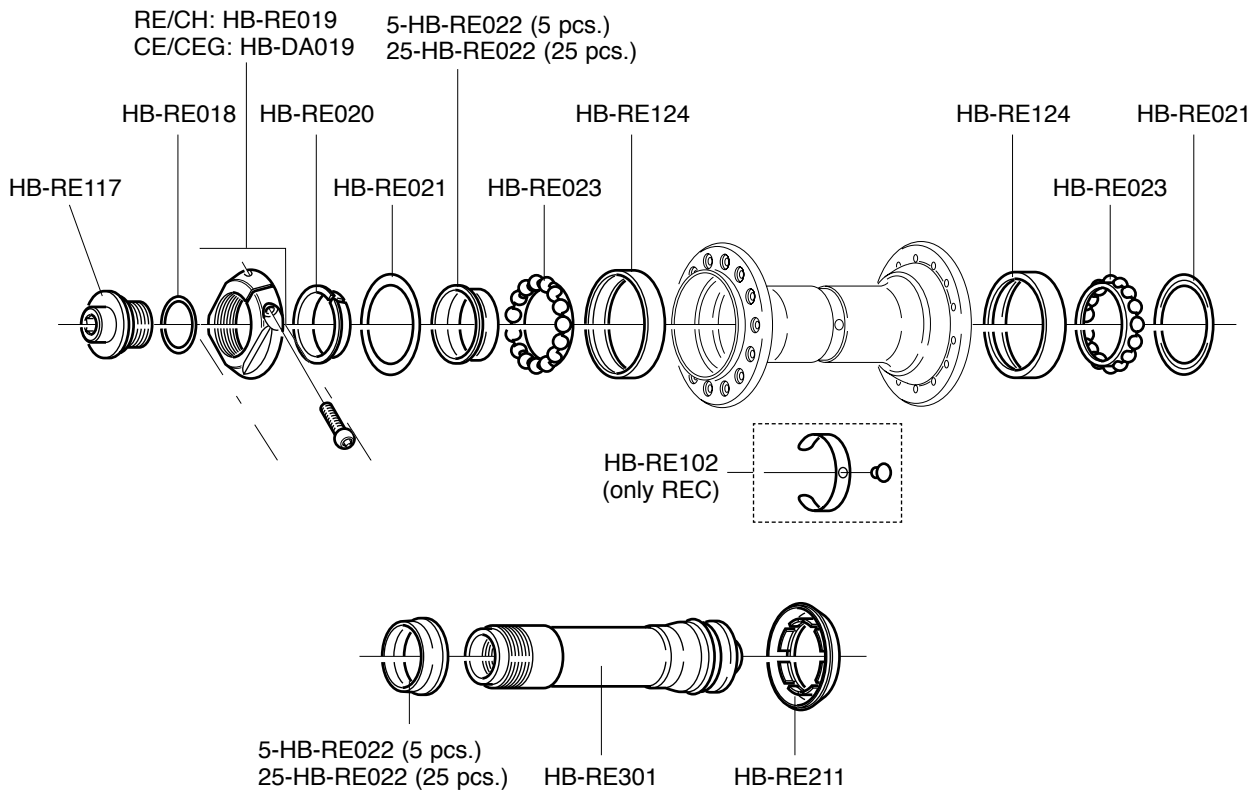
QF6-30 (front)
QR6-30 (rear)



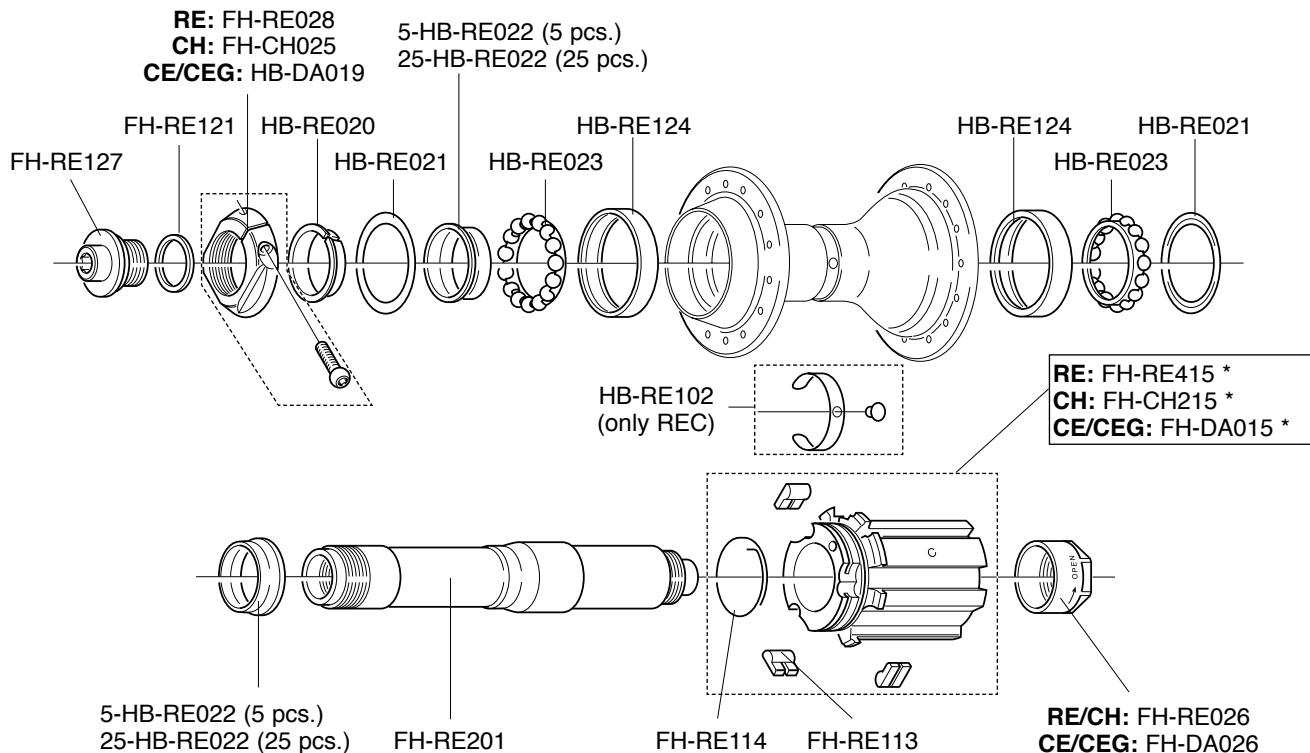
QF6-40 (front)
QR6-40 (rear)



RECORD™ HB02-RE..
CHORUS™ HB02-CH..
CENTAUR™ HB02-CE..
CENTAUR™ CENTURY GREY HB4-CEG.

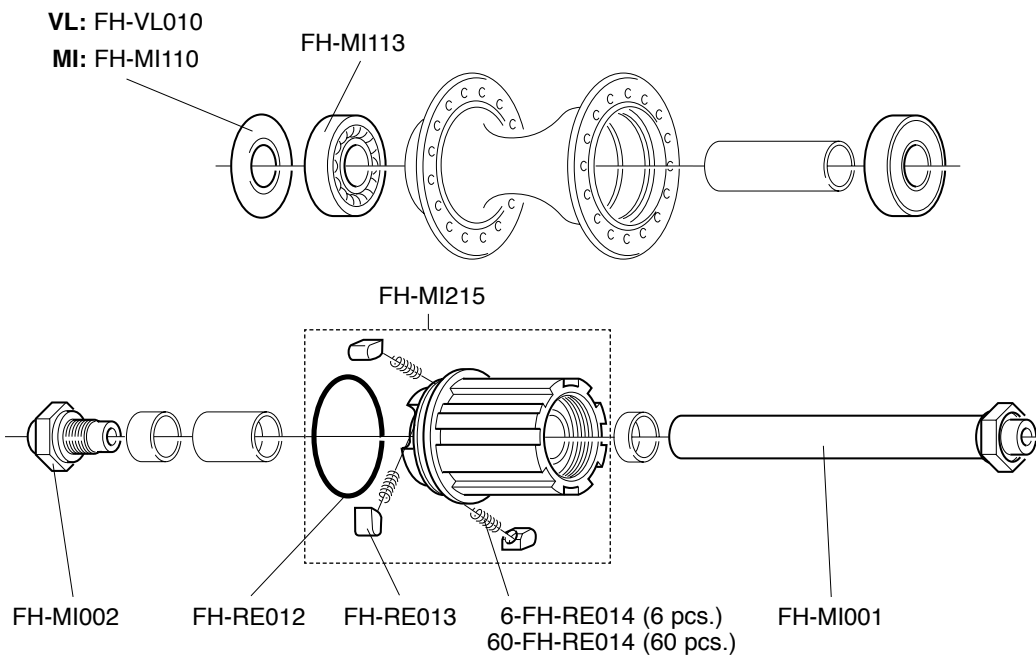
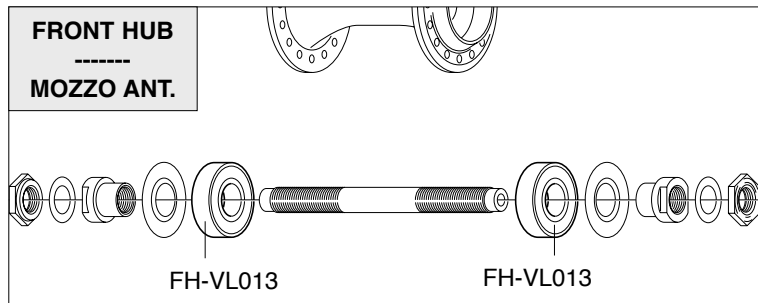


RECORD™ 9s/10s FH02-RE..
CHORUS™ 9s/10s FH02-CH..
CENTAUR™ 9s/10s FH02-CE..
CENTAUR™ CENTURY GREY 9s/10s FH4-CE.



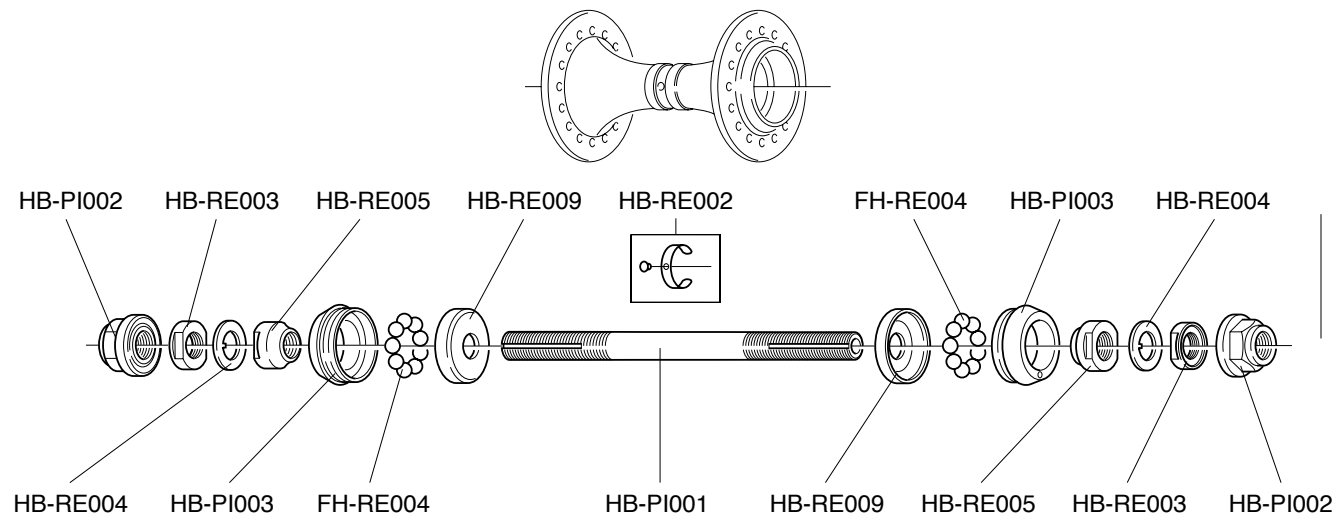
* HG 8/9/10 type FW body / corpetto RL tipo HG 8/9/10: **WH-KX1** (RECORD™ type) **WH-KX2** (CHORUS™ type)

VELOCE™ 9s/10s FH02-VL..
MIRAGE™ 9s FH4-MIB.



* HG 8/9/10 type FW body / corpetto RL tipo HG 8/9/10: **WH-KX3**

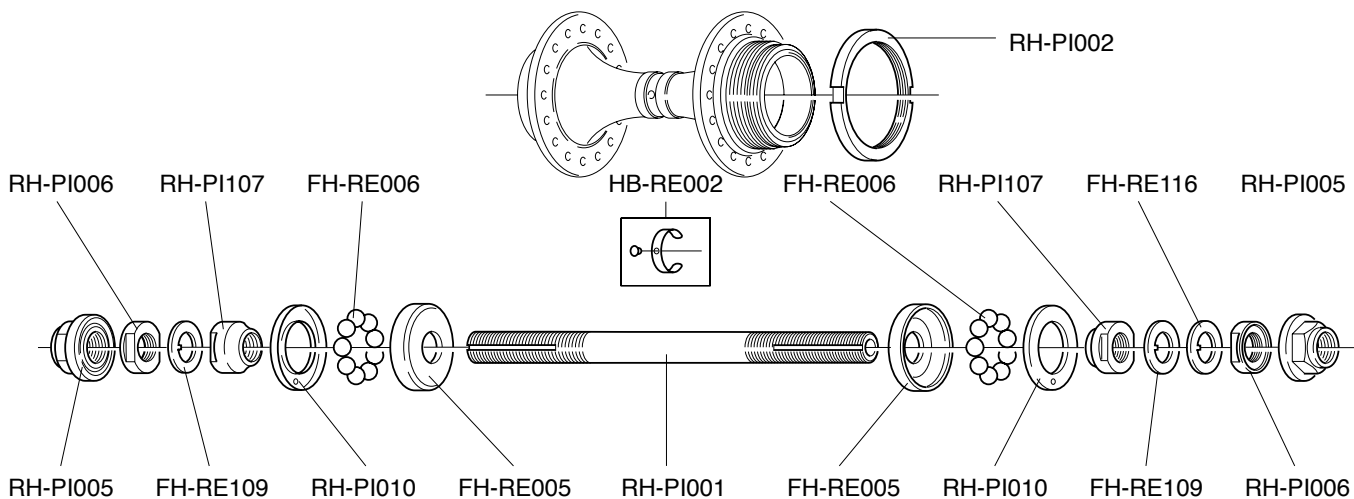
RECORD™
PISTA™
HB02-REPL.

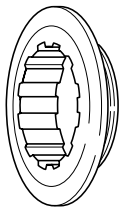


FRONT HUB

REAR HUB

RECORD™
PISTA™
FH02-REPI..





CODE CODICE	TYPE TIPO	RANGE GAMMA	HUB COMPATIBILITY COMPATIBILITÀ MOZZI	
CS-401	9s / 10s "oversize" thread/fil.: 27 x 1	steel / acciaio	2000 e succ. 2000 and following	all groups / tutti i gruppi all wheels / tutte le ruote
			1999	RECORD™ - CHORUS™ all wheels / tutte le ruote
CS-501	9s / 10s "oversize" thread/fil.: 27 x 1	steel / acciaio (for Z. 11)	2000 e succ. 2000 and following	all groups / tutti i gruppi all wheels / tutte le ruote
			1999	RECORD™ - CHORUS™ all wheels / tutte le ruote
CS-101T	9s / 10s "oversize" thread/fil.: 27 x 1	titanium / titanio	2000 e succ. 2000 and following	all groups / tutti i gruppi all wheels / tutte le ruote
			1999	RECORD™ - CHORUS™ all wheels / tutte le ruote
CS-201	9s thread/fil.: 26 x 1	steel / acciaio	1999	ATHENA™ - VELOCE™ - MIRAGE™
			1998 / 1997	9s groups / gruppi 9s 9s wheels / ruote 9s
CS-001T	9s thread/fil.: 26 x 1	titanium / titanio	1999	ATHENA - VELOCE™ - MIRAGE™
			1998 / 1997	9s groups / gruppi 9s 9s wheels / ruote 9s '97 8s aluminum FW body / corpetto RL in alluminio 8s '97
CS-001V	8s thread/fil.: 29 x 1	steel / acciaio	1999 e prec. 1999 and previous	all 8s hubs (with steel FW body) tutti i mozzi 8s (con corpetto RL in acciaio)
CS-701	for sprockets/ per pignoni HG 10s thread/fil.: 27 x 1	steel / acciaio	2006	all Campagnolo® wheels with HG 10 type FW body / tutte le ruote Campagnolo® con corpetto RL tipo HG 10
CS-801	for sprockets/ per pignoni HG 10s thread/fil.: 27 x 1	steel / acciaio (for Z. 11)	2006	all Campagnolo® wheels with HG 10 type FW body / tutte le ruote Campagnolo® con corpetto RL tipo HG 10

RECORD™
UD™ 10s
CSK00-RE10..

DISTANZIALI / SPACERS

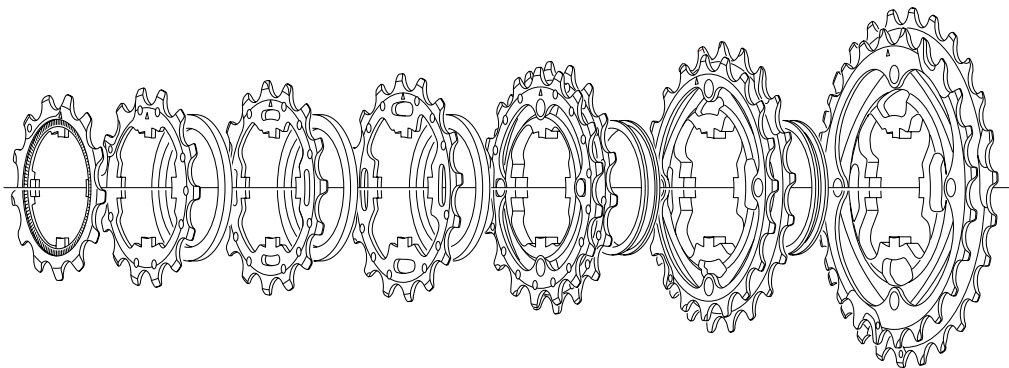
F = CS-601 (2,4 mm)

G = CS-602 (2,5 mm)

H = CS-603 (4,8 mm)

I = CS-604 (5 mm)

L = CS-605 (3,9 mm)



11 - 21	11A-1° 9S-011	12A-2° 10S-022		13A 10S-131	F	14A 10S-141	F	15A 10S-151	F	16A 10S-161	G	17A-18C* 10S-78CT	H	19C-21C* 10S-91CT
11 - 23	11A-1° 9S-011	12A-2° 10S-022		13A 10S-131	F	14A 10S-141	F	15A 10S-151	F	16A 10S-161	G	17A-19A* 10S-79AT	H	21A-23A* 10S-13AT
12 - 23	12A-1° 10S-012	13A 10S-131	F	14A 10S-141	F	15A 10S-151	F	16A 10S-161	F	17A 10S-171	G	18A-19A* 10S-89AT	H	21A-23A* 10S-113AT
12 - 25	12A-1° 10S-012	13A 10S-131	F	14A 10S-141	F	15A 10S-151	F	16A-17A* 10S-67A	I	19A-21A* 10S-91AT	L	23A-25A* 10S-35AT		
13 - 26	13A-1° 10S-013	14A 10S-141	F	15A 10S-151	F	16A 10S-161	F	17A-18C* 10S-78C	I	19C-21C* 10S-91CT	L	23C-26C* 10S-36CT		
13 - 29	13A-1° 10S-013	14A 10S-141	F	15A 10S-151	F	16A 10S-161	F	17A-19A* 10S-79A	I	21A-23A* 10S-13AT	L	26A-29A* 10S-69AT		

* pre-assembled

RECORD™ UD™
TITANIUM 10s
CSK00-RE10..T

DISTANZIALI / SPACERS

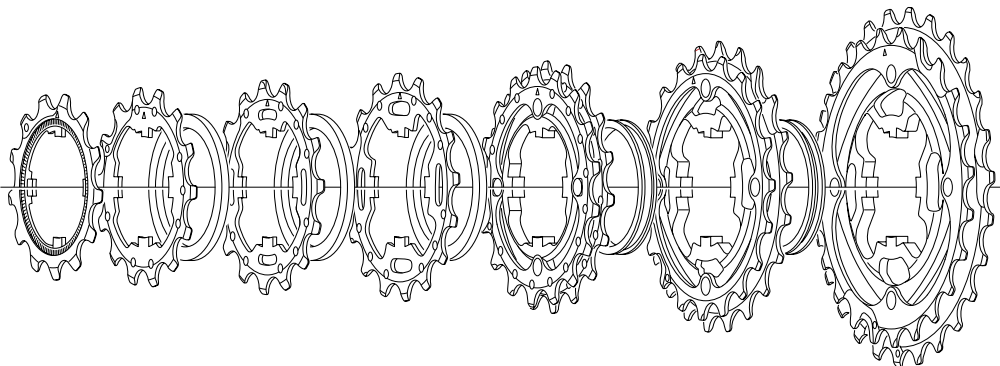
F = CS-601 (2,4 mm)

G = CS-602 (2,5 mm)

H = CS-603 (4,8 mm)

I = CS-604 (5 mm)

L = CS-605 (3,9 mm)



11 - 23	11A-1° 9S-011	12A-2° 10S-022T		13A 10S-131T	F	14A 10S-141T	F	15A 10S-151T	F	16A 10S-161T	G	17A-19A* 10S-79AT	H	21A-23A* 10S-13AT
12 - 25	12A-1° 10S-012T	13A 10S-131T	F	14A 10S-141T	F	15A 10S-151T	F	16A-17A* 10S-67AT	I	19A-21A* 10S-91AT	L	23A-25A* 10S-35AT		
13 - 26	13A-1° 10S-013T	14A 10S-141T	F	15A 10S-151T	F	16A 10S-161T	F	17A-18C* 10S-78CT	I	19C-21C* 10S-91CT	L	23C-26C* 10S-36CT		

* pre-assembled

CHORUS™
UD™ 10s
CSK00-CH10..

DISTANZIALI / SPACERS

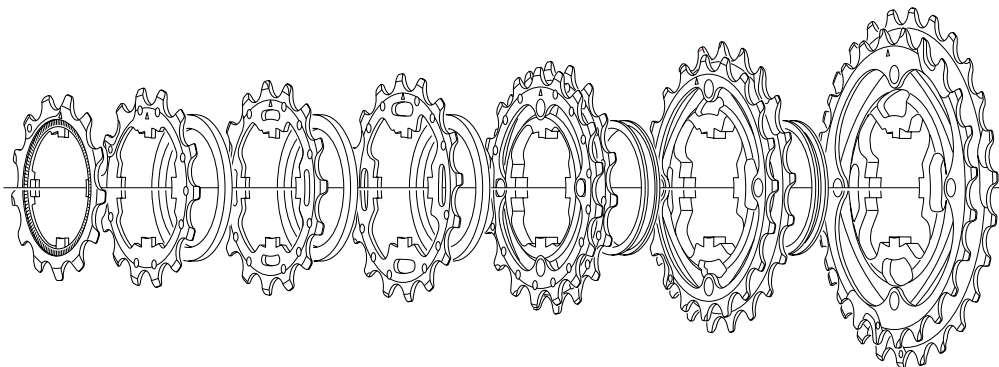
F = CS-601 (2,4 mm)

G = CS-602 (2,5 mm)

H = CS-603 (4,8 mm)

I = CS-604 (5 mm)

L = CS-605 (3,9 mm)



11 - 23	11A-1° 9S-011	12A-2° 10S-022		13A 10S-131	F	14A 10S-141	F	15A 10S-151	F	16A 10S-161	G	17A-19A* 10S-79A	H	21A-23A* 10S-13A
12 - 25	12A-1° 10S-012	13A 10S-131	F	14A 10S-141	F	15A 10S-151	F	16A-17A* 10S-67A	I	19A-21A* 10S-91A	L	23A-25A* 10S-35A		
13 - 26	13A-1° 10S-013	14A 10S-141	F	15A 10S-151	F	16A 10S-161	F	17A-18C* 10S-78C	I	19C-21C* 10S-91C	L	23C-26C* 10S-36C		
13 - 29	13A-1° 10S-013	14A 10S-141	F	15A 10S-151	F	16A 10S-161	F	17A-19A* 10S-79A	I	21A-23A* 10S-13A	L	26A-29A* 10S-69A		

* pre-assembled

CENTAUR™
UD™ 10s
CS4-CEX..

DISTANZIALI / SPACERS

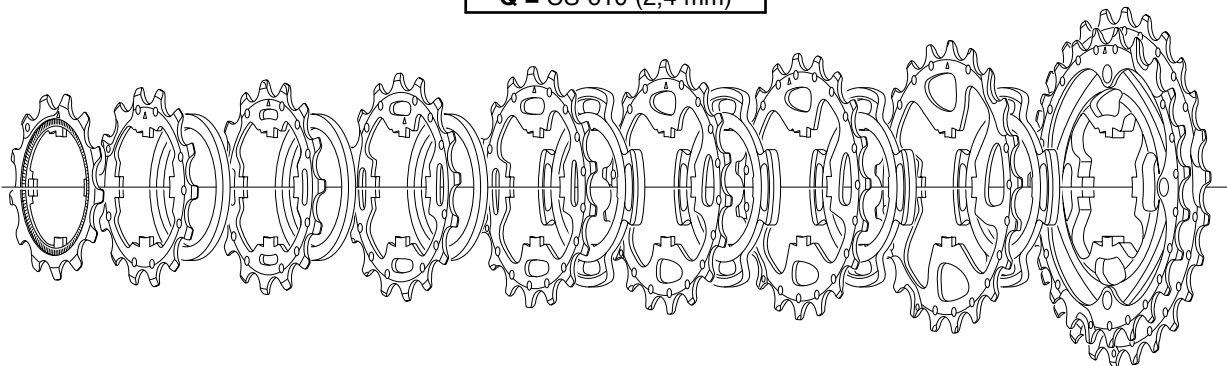
G = CS-602 (2,5 mm)

M = CS-606 (3,05 mm)

N = CS-607 (2,4 mm)

O = CS-609 (2,55 mm)

Q = CS-610 (2,4 mm)



11 - 23	11A-1° 9S-011	12A-2° 10S-022		13A 10S-131	Q	14A 10S-141	Q	15A 10S-151	Q	16A 10S-161	G	17A 10S-171	N	19A 10S-191	M	21A-23A* 10S-13A
12 - 25	12A-1° 10S-032	13A 10S-131	Q	14A 10S-141	Q	15A 10S-151	Q	16A 10S-161	Q	17A 10S-171	O	19A 10S-191	N	21A 10S-211	M	23A-25A* 10S-35A
13 - 26	13A-1° 10S-023	14A 10S-141	Q	15A 10S-151	Q	16A 10S-161	Q	17A 10S-171	N	18C 10S-183	O	19C 10S-193	N	21C 10S-213	M	23C-26C* 10S-36C
13 - 29	13A-1° 10S-023	14A 10S-141	Q	15A 10S-151	Q	16A 10S-161	Q	17A 10S-171	N	19A 10S-191	O	21A 10S-211	N	23A 10S-231	M	26A-29A* 10S-69A

* pre-assembled

VELOCE™ UD™

**10s
CS4-VLX..**

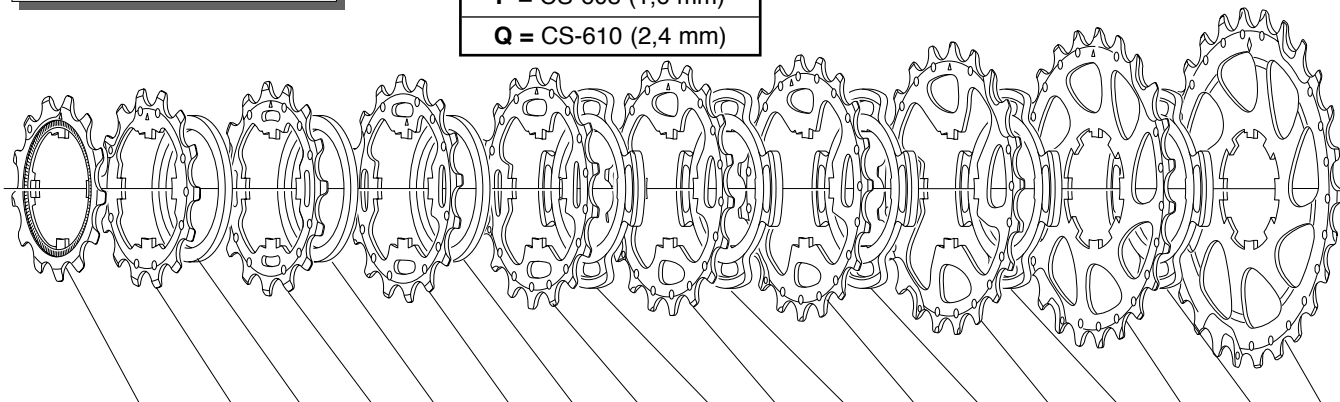
DISTANZIALI / SPACERS

N = CS-607 (2,4 mm)

O = CS-609 (2,55 mm)

P = CS-608 (1,6 mm)

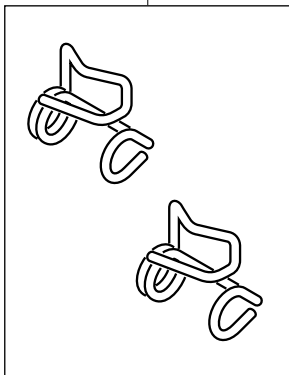
Q = CS-610 (2,4 mm)



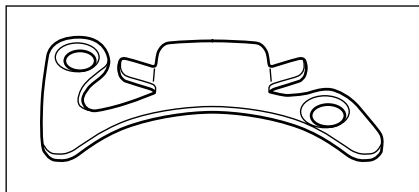
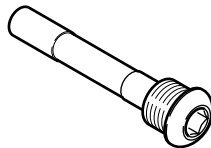
12 - 23	12A-1° 10S-032	13A 10S-131	Q	14A 10S-141	Q	15A 10S-151	Q	16A 10S-161	N	17A 10S-171	O	18C 10S-183	N	19C 10S-193	N	21C 10S-213	P	23C 10S-233
12 - 25	12A-1° 10S-032	13A 10S-131	Q	14A 10S-141	Q	15A 10S-151	Q	16A 10S-161	N	17A 10S-171	O	19A 10S-191	N	21A 10S-211	N	23A 10S-231	P	25A 10S-251
13 - 26	13A-1° 10S-023	14A 10S-141	Q	15A 10S-151	Q	16A 10S-161	Q	17A 10S-171	N	18C 10S-183	O	19C 10S-193	N	21C 10S-213	N	23C 10S-233	P	26C 10S-263
13 - 29	13A-1° 10S-023	14A 10S-141	Q	15A 10S-151	Q	16A 10S-161	Q	17A 10S-171	N	19A 10S-191	O	21A 10S-211	N	23A 10S-231	N	26A 10S-261	P	29A 10S-291
14 - 23	14A-1° 10S-014	15A 10S-151	Q	16A 10S-161	Q	17A 10S-171	Q	18C 10S-183	N	19C 10S-193	O	20D 10S-204	N	21D 10S-214	N	22D 10S-224	P	23D 10S-234

**PRO-FIT™ /
PRO-FIT PLUS™
SPARE PARTS**

R + L: PD-RE105

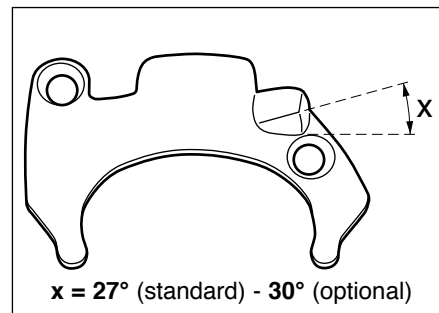
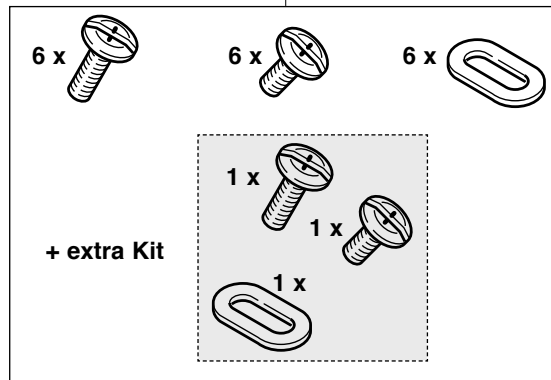


PD-RE107



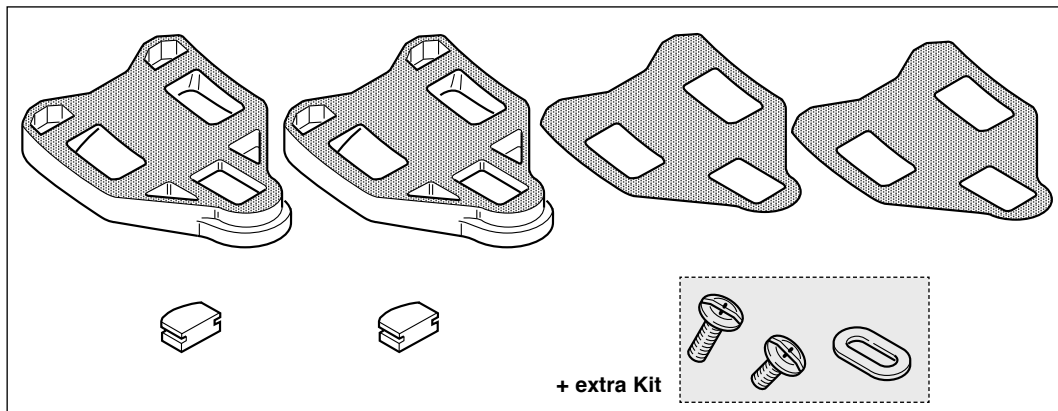
**PRO-FIT™
PD-RE111**

PD-RE116



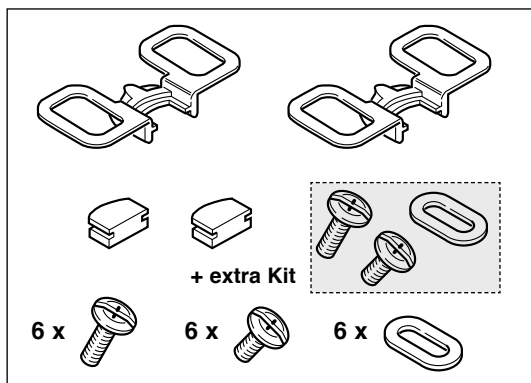
PRO-FIT PLUS™
PD-RE110: standard - 27°
PD-RE109: HRE - optional - 30°

**PRO-FIT™ /
PRO-FIT PLUS™
SPARE PARTS**



**FLOATING CLEATS
PD-RE020**

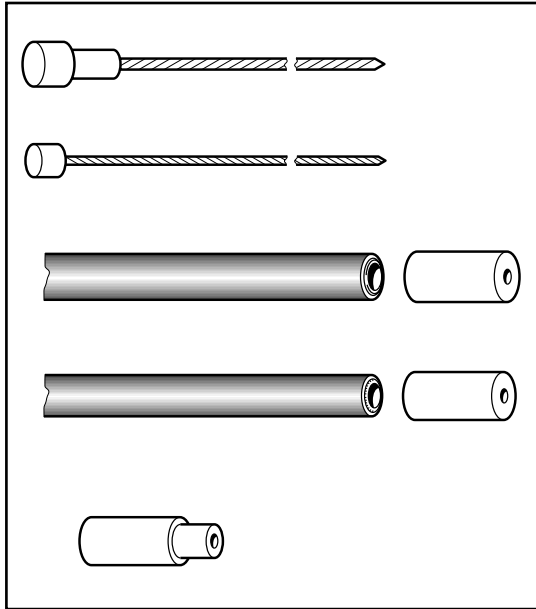
**FIXED CLEATS
PD-RE021**



PD-RE200

CABLES & CASINGS

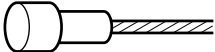




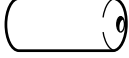

complete sets



<p>ERGOPOWER™ CONTROL LEVERS</p>	<p>CG-ER500 *</p> <p>CG-ER201BP (240 pcs. / pz.)</p>	
<p>TRADITIONAL</p>	<p>Brakes</p>	<p>CG-BR201</p>
	<p>Derailleurs</p>	<p>CG-DD101</p>

* incl. brake housing ferrules / incl. capi guaina

CABLES & CASINGS SPARE PARTS

		FRONT	REAR	
BRAKES		Ø 1,6 mm L. 800 mm CG-CB003	Ø 1,6 mm L. 1600 mm 10-CG-CB013 (10 pcs.) - 50-CG-CB013 (50 pcs.)	
		Ø 5 mm L. 580 mm CG-CS014	Ø 5 mm L. 1250 mm CG-CS002	
		Ø 6 mm CG-CS011 (not sealed / senza guarnizione)		
DERAILLEURS	 Ø 1,2 mm	ERGOPOWER	L. 1600	CG-CB014
		ERGOPOWER	L. 2000	10-CG-CB009 (10 pcs.) - 50-CG-CB009 (50 pcs.)
		SHIFTING LEVERS	L. 830	CG-CB011
		SHIFTING LEVERS	L. 1600	CG-CB014
	 Ø 4,5 mm	ERGOPOWER	L. 680	CG-CS015
		ERGOPOWER	L. 330	CG-CS008
		Ø 5,7 mm CG-CS012 (sealed / con guarnizione)		
		Ø 5,7/4 mm CG-CS013 (sealed / con guarnizione)		

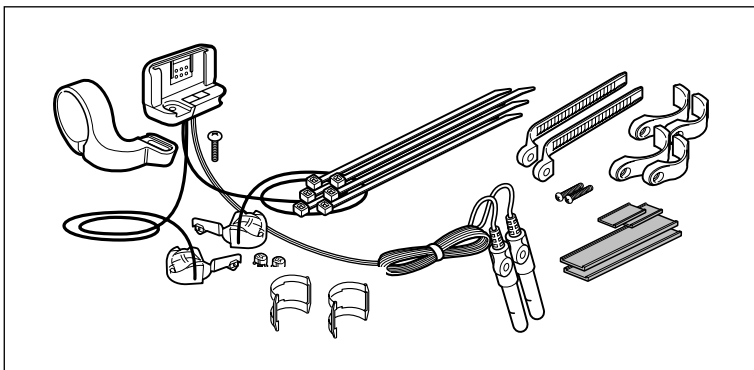
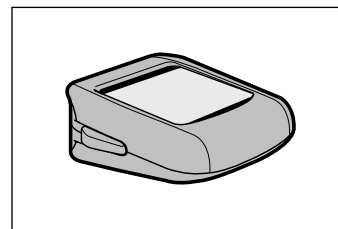


MAIN UNIT / SOLO COMPUTER

ErgoBrain10™

CI03-EB10C3

(triple compatible)



**ASSEMBLY KIT /
KIT D'INSTALLAZIONE**

ErgoBrain™

CI00-EB09B1

(for 9s drivetrain / per trasmissione 9s)

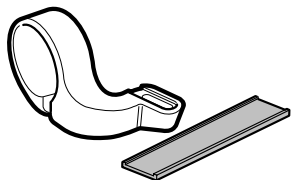
ErgoBrain10™

CI00-EB10B2

(for 10s drivetrain / per trasmissione 10s)

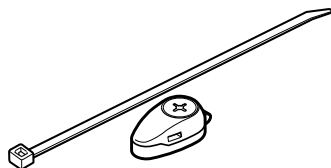
ErgoBrain™

ErgoBrain10™



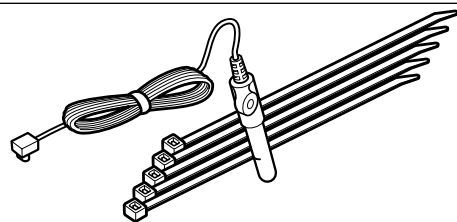
31,7 mm arm / fascetta 31,7 mm

CI-EB001



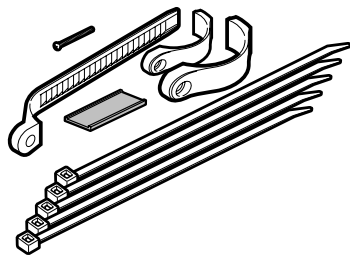
CDC magnet / magnete cadenza

CI-EB003



CDC sensor / sensore cadenza

CI-EB006



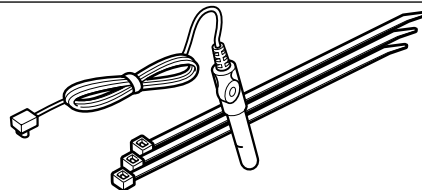
Sensor attachment / fascetta sensori

CI-EB002



CDC PRO-FIT pedal magnet /
magnete cadenza pedale PRO-FIT

CI-EB004



SPD sensor / sensore velocità

CI-EB007



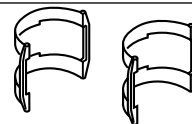
push buttons / copripulsanti

CI-EB009



SPD magnet / magnete velocità

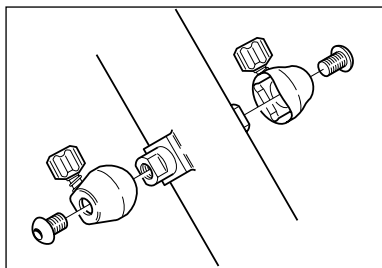
CI-EB008



spacers / distanziali

CI-EB010

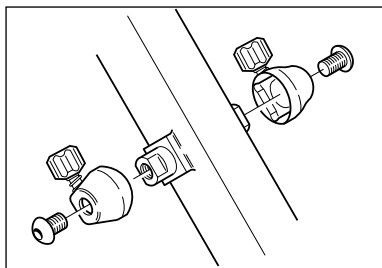
**ERGOPOWER™
ERGOPOWER™ FB
CASING RETAINER CLAMPS**



FOR ROUND DOWN TUBE

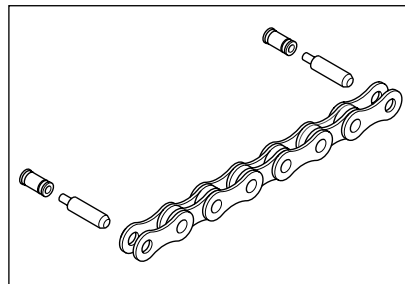
Aluminum: **EC-RE001**

Resin: **EC-AT001**



FOR FLAT DOWN TUBE

Aluminum: **EC-RE002**

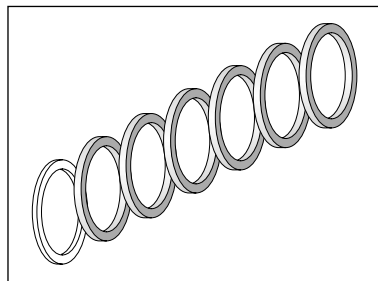


CN-RE200 *HD-Link™*

for C10™ and C10™ Ultra chains

CN-RE400 *HD-Link™ Ultra Narrow™* (5,9 mm)

for C10™ Ultra Narrow™ chains



KIT-03

Transforms a Veloce™ 9s sprocket set into a 8s cassette.

Only for 9s/10s hub/wheels.

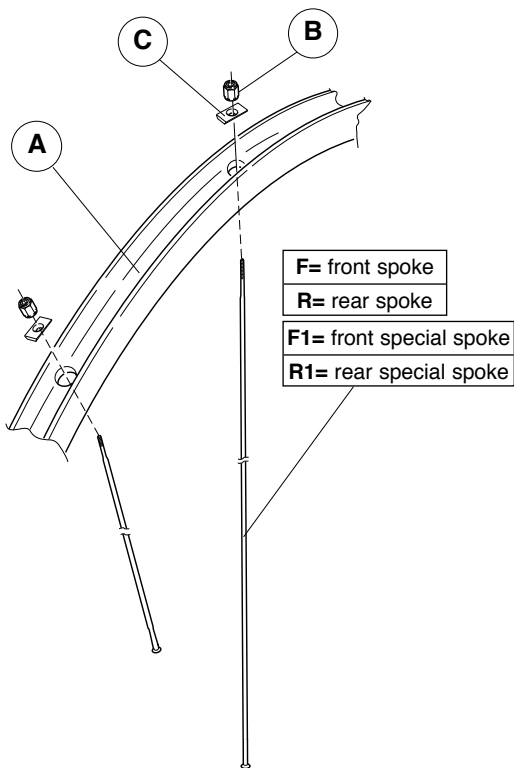


WB-100

Bag for 1 wheel.

RD-RE700	rotelline cambio 10s (8,4 mm)	10s (8,4 mm) rear derailleur pulleys	jeu de galets dérail. arr. 10s (8,4 mm)
RD-RE600	rotelline cambio 9s (8,8 mm)	9s (8,8 mm) rear derailleur pulleys	jeu de galets dérail. arr. 9s (8,8 mm)
RD-RE500	rotelline cambio 8s (9,8 mm)	8s (9,8 mm) rear derailleur pulleys	jeu de galets dérail. arr. 8s (9,8 mm)
EC-RE600	coprisupporti EP dx + sx "new style"	right + left EP rubber hoods (new style)	repose-main EP droit + gauche "new style"
EC-RE500	coprisupporti EP dx + sx "old style"	right + left EP rubber hoods (old style)	repose-main EP droit + gauche "old style"
BR-RE701	pattini freno per ruote HYPERON™ e BORA™ tubolare per freni caliper Campagnolo	brake pads for HYPERON™ and BORA™ 2003 tubular wheels for Campagnolo caliper brakes	patins de frein roues HYPERON™ et BORA™ 2003 boyaux pour freins caliper Campagnolo
BR-RE702	pattini freno per ruote HYPERON™ copertoncino per freni caliper Campagnolo	brake pads for HYPERON™ clincher wheels for Campagnolo caliper brakes	patins de frein roues HYPERON™ pnéus étroits pour freins caliper Campagnolo
BR-701X	pattini freno per ruote HYPERON™ e BORA™ tubolare per freni Dura-Ace	brake pads for HYPERON™ and BORA™ 2003 tubular wheels for Dura-Ace brakes	patins de frein roues HYPERON™ et BORA™ 2003 boyaux pour freins Dura-Ace
BR-702X	pattini freno per ruote HYPERON™ copertoncino per freni Dura-Ace	brake pads for HYPERON™ clincher wheels for Dura-Ace brakes	patins de frein roues HYPERON™ pnéus étroits pour freins Dura-Ace
BR-RE700	pattini freno per freni caliper	brake pads for caliper brakes	patins de frein pour freins caliper
BR-RE600	pattini freno per freni caliper	brake pads for caliper brakes	patins de frein pour freins caliper
BR-VL500	pattini freno per freni Linear Pull Cantilever	brake pads for Linear Pull Cantilever brakes	patins de frein pour freins Linear Pull Cantilever
BR-MI600	pattini freno compl. per freni caliper	compl. brake pads for caliper brakes	patins de frein compl. pour freins caliper
BL-RE500	coprisupporti tradizionali dx + sx (gamma 2000 e prec.)	r + l traditional rubber hoods (2000 range and prev.)	repose-main trad. droit + gauche (gamme 2000 et préc.)
PD-RE020	tacchette pedali (con gioco)	self-aligning pedal cleats	plaques avec jeu pour pédales
PD-RE021	tacchette pedali (senza gioco)	fixed pedal cleats	plaques sans jeu pour pédales
PD-RE200	denti d'aggancio pedali + viti	pedal engaging hooks + screws	dispositifs d'accrochage pédales + vis
PD-RE116	viti fissaggio tacchette pedali	pedal cleats fixing screws	vis fixation plaques pédales
CG-ER500	cavi e guaine EP (con capi-guaina)	EP cables and casings (with brake housing ferrules)	câbles et gaines EP (avec butée de gaines)
CN-RE200	HD-LINK™ per catene C10™ e C10™ Ultra	HD-LINK™ for C10™ e CD™ Ultra chains	HD-LINK™ pour chaîne C10™ e C10™ Ultra
CN-RE400	HD-LINK™ per catene C10™ Ultra Narrow (5,9 mm)	HD-LINK™ for C10™ Ultra Narrow (5,9 mm) chains	HD-LINK™ pour chaîne C10™ Ultra Narrow (5,9 mm)

HYPERON™ Ultra™ **clincher** **9s / 10s**

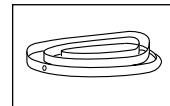


COMPLETE WHEELS	A	Compl. KIT	MINI-KIT
FRONT			KIT-400HYU (1F+1F1+1R right+1R1 right+1R left+1R1 left+2C front+2C rear+6B)
WH6-HYCFU clincher 28"	WH-103HYU	KIT-13HYU (21F+2F1+23C+23B)	
REAR			
WH6-HYCRU WH6-HYCRXU clincher 28"	WH-104HYU	KIT-14HYU (12R right+1R1 right+ 12R left+1R1 left+26C+26B)	

FRONT WHEEL	F + B	F1 + B
WH6-HYCFU clincher 28"	L. 292 mm WH-105HYC (10 pcs.)	L. 292 mm WH-205HYC (1 pc.)

REAR WHEELS	R right + B	R1 right + B	R left + B	R1 left + B
WH6-HYCRU WH6-HYCRXU clincher 28"	L. 289 mm WH-106HYC (10 pcs.)	L. 289 mm WH-206HYC (1 pc.)	L. 291 mm WH-107HYC (10 pcs.)	L. 291 mm WH-207HYC (1 pc.)

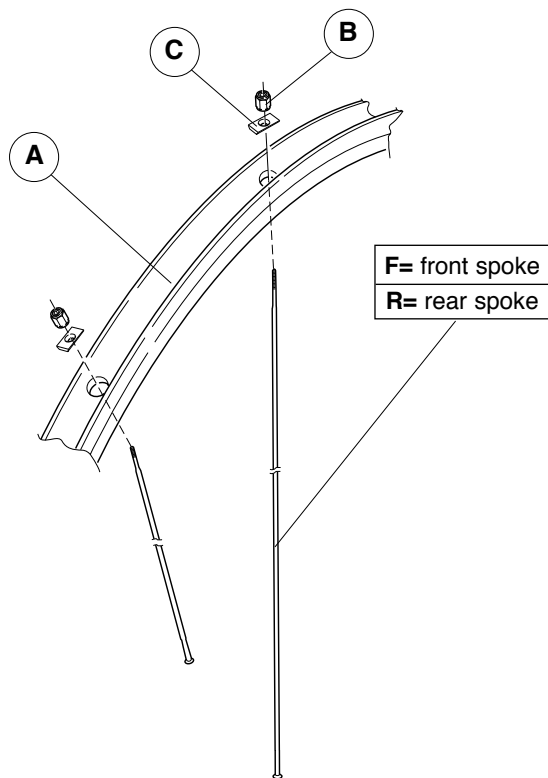
B	C front	C rear
10-WH-010BO (10 pcs.)	10-WH-011HY (10 pcs.)	10-WH-012HY (10 pcs.)



RIM TAPE 16 mm:
WH-RT02

COMPLETE LABEL KIT (front+rear): LAB-HYC06

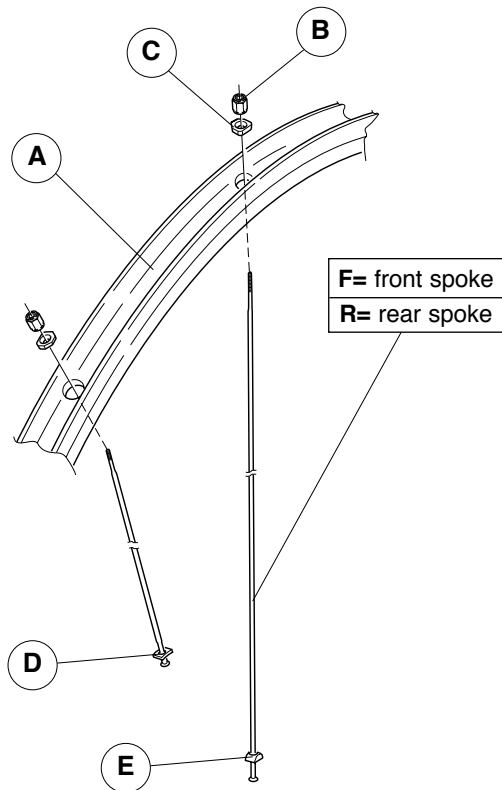
HYPERON™
tubular
9s / 10s

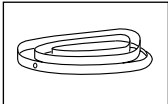


COMPLETE WHEELS	A	Compl. KIT	MINI-KIT
FRONT			
WH6-HYTF tubular 28"	WH-001HY	KIT-01HY (24F+24C+24B)	KIT-100HY (2F+2R right +2R left+6C +6B)
REAR			
WH6-HYTR WH6-HYTRX tubular 28"	WH-002HY	KIT-02HY (13R right+13R left+26C+26B)	
COMPLETE WHEELS	F + B	R right + B	R left + B
WH6-HYTF tubular 28"	L. 294,5 mm WH-005HYT (10 pcs.)		
WH6-HYTR WH6-HYTRX tubular 28"		L. 295 mm WH-006HYT (10 pcs.)	L. 294,5 mm WH-007HYT (10 pcs.)
B	C		
10-WH-010BO (10 pcs.)	10-WH-011HY (10 pcs.)		

COMPLETE LABEL KIT (front+rear): LAB-HYT05

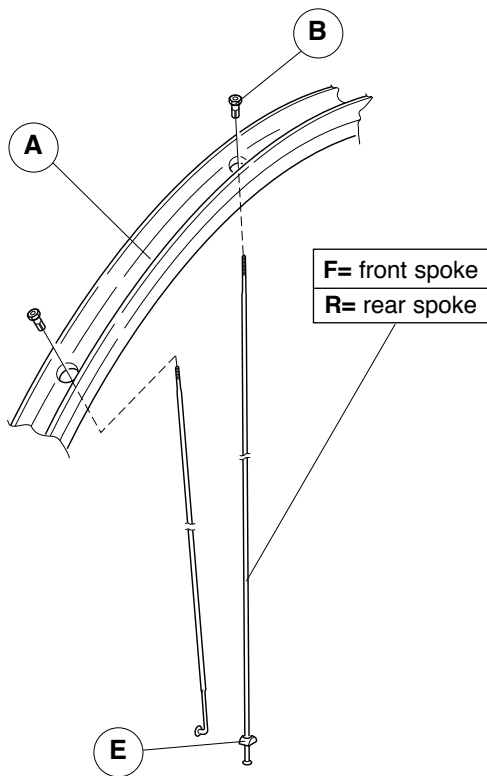
NEUTRON™ 9s / 10s



COMPLETE WHEELS	A	Compl. KIT	MINI-KIT
FRONT			
WH6-NECF clincher 28"	WH-103NE	KIT-03NE (24F+24C+24B+24D)	KIT-200NE (2F+2R right +2R left+6C +6B+4D+2E)
REAR			
WH6-NECR WH6-NECRX clincher 28"	WH-104NE	KIT-04NE (13R right+13R left +26C+26B+13D+13E)	
COMPLETE WHEELS	F + B	R right + B	R left + B
WH6-NECF clincher 28"	L. 294,25 mm WH-005NEC (10 pcs.)		
WH6-NECR WH6-NECRX clincher 28"		L. 296,5 mm WH-006NEC (10 pcs.)	L. 294,75 mm WH-007NEC (10 pcs.)
B	C	 RIM TAPE 18 mm: WH-RT01	
10-WH-010BO (10 pcs.)	10-WH-011EU (10 pcs.)		

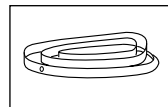
COMPLETE LABEL KIT (front+rear): LAB-NEC05

PROTON™
9s / 10s



COMPLETE WHEELS	A	Compl. KIT	MINI-KIT
FRONT			KIT-400PR (2F+2R right +2R left+6B+2E)
WH6-PRCF clincher 28"	WH-201PR	KIT-03PR (24F+24B)	
REAR			
WH6-PRCR WH6-PRCRX clincher 28"	WH-202PR	KIT-04PR (13R right+13R left+26B+13E)	

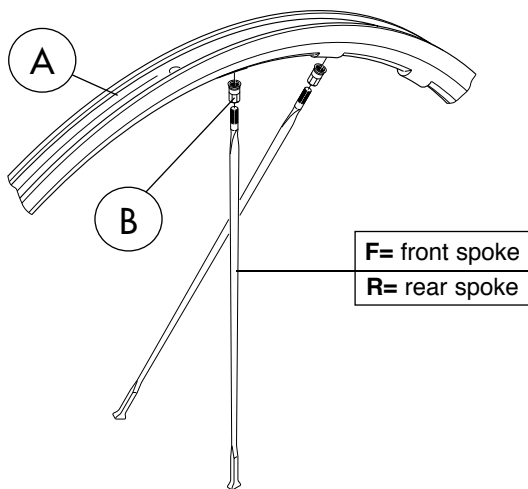
COMPLETE WHEELS	F + B	R right + B	R left + B
WH6-PRCF clincher 28"	L. 283 mm WH-005PRC (10 pcs.)		
WH6-PRCR WH6-PRCRX clincher 28"		L. 292 mm WH-006PRC (10 pcs.)	L. 283 mm WH-005PRC (10 pcs.)



RIM TAPE 18 mm:
WH-RT01

COMPLETE LABEL KIT (front+rear): LAB-PRC05

EURUS™ clincher 9s / 10s



See page 148 for accessories
Vedi pag. 148 per gli accessori

COMPLETE WHEELS	A	Compl. KIT	B	
FRONT				
WH6-EUCF BLACK	WH-303EU	KIT-33EU (16F)	WH-N10 (10 pcs.)	
WH6-EUCFS SILVER	WH-303EUS	KIT-33EUS (16F)		
REAR				
WH6-EUCR WH6-EUCRX BLACK	WH-304EU	KIT-34EU (21R)		
WH6-EUCRS WH6-EUCRXS SILVER	WH-304EUS	KIT-34EUS (21R)		

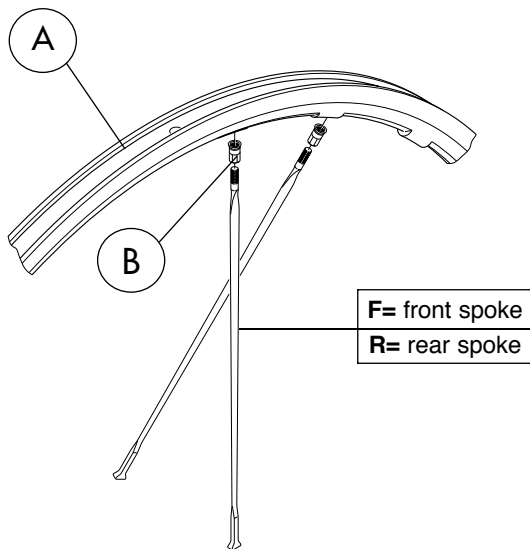
COMPLETE WHEELS	F + B	R right + B	R left + B
WH6-EUCF BLACK	L. 278,5 mm WH-305EUC (1F+1B)		
WH6-EUCFS SILVER	L. 278,5 mm WH-305EUCS (1F+1B)		
WH6-EUCR WH6-EUCRX BLACK		L. 282 mm WH-306EUC (1R right+1B)	L. 276 mm WH-307EUC (1R left+1B)
WH6-EUCRS WH6-EUCRXS SILVER		L. 282 mm WH-306EUCS (1R right+1B)	L. 276 mm WH-307EUCS (1R left+1B)

COMPLETE LABEL KIT (front+rear)

Black: LAB-EUCB06

Silver: LAB-EUCS06

EURUS™
tubular
9s / 10s



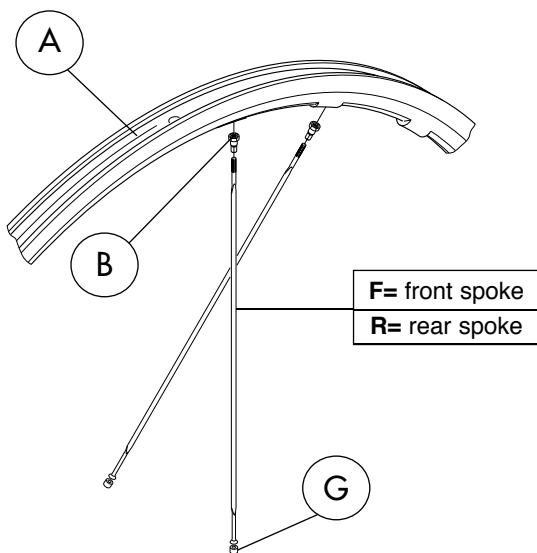
See page 148 for accessories
 Vedi pag. 148 per gli accessori

COMPLETE WHEELS	A	Compl. KIT	B
FRONT			
WH6-EUTF tubular 28"	WH-001EU	KIT-33EUS (16F)	WH-108EUC (10 pcs.)
REAR			
WH6-EUTR WH6-EUTRX tubular 28"	WH-002EU	KIT-34EUS (21R)	

COMPLETE WHEELS	F + B	R right + B	R left + B
WH6-EUTF tubular 28"	L. 278,5 mm WH-305EUCS (1F+1B)		
WH6-EUTR WH6-EUTRX tubular 28"		L. 282 mm WH-306EUCS (1R right+1B)	L. 276 mm WH-307EUCS (1R left+1B)

COMPLETE LABEL KIT (front+rear):
LAB-EUT06

ZONDA™
9s / 10s



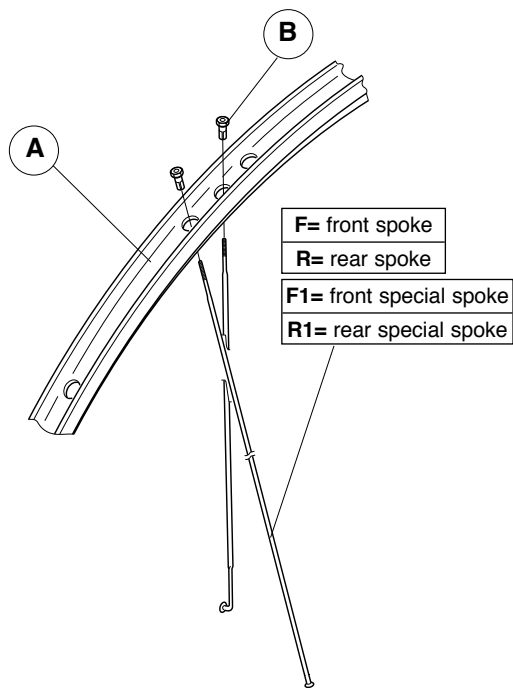
See page 148 for accessories
Vedi pag. 148 per gli accessori

COMPLETE LABEL KIT (front+rear):
LAB-ZOCB06 (black)
LAB-ZOCS06 (silver)

COMPLETE WHEELS	A	Compl. KIT	MINI-KIT
FRONT			
WH6-ZOCF clincher 28"	WH-203ZO	KIT-23ZO (17F+17B+17G)	BLACK KIT-400ZO (2F+2R right +2R left+6B+2G)
WH6-ZOCFS clincher 28"	WH-203ZOS	KIT-23ZOS (17F+17B+17G)	
REAR			
WH6-ZOCR WH6-ZOCRX clincher 28"	WH-204ZO	KIT-24ZO (15R right+8R left+21B+8G)	SILVER KIT-400ZOS (2F+2R right +2R left+6B+2G)
WH6-ZOCRS WH6-ZOCRXS clincher 28"	WH-204ZOS	KIT-24ZOS (15R right+8R left+21B+8G)	

COMPLETE WHEELS	F + B	R right + B	R left + B	G
WH6-ZOCF clincher 28"	L. 278 mm WH-105ZOC (10 pcs.)			WH-109ZOC (10 pcs.)
WH6-ZOCFS clincher 28"	L. 278 mm WH-105ZOCs (10 pcs.)			
WH6-ZOCR WH6-ZOCRX clincher 28"		L. 280 mm WH-106ZOC (10 pcs.)	L. 275 mm WH-107ZOC (10 pcs.)	
WH6-ZOCRS WH6-ZOCRXS clincher 28"		L. 280 mm WH-106ZOCs (10 pcs.)	L. 275 mm WH-107ZOCs (10 pcs.)	

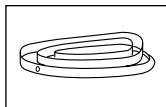
SCIROCCO™
9s / 10s



COMPLETE WHEELS	A	Compl. KIT	MINI-KIT
FRONT			KIT-600SC (1F+1F1+1R right +1R left+1R1 left+5B)
WH6-SCCF clincher 28"	WH-103SC	KIT-33SC (19F+2F1+21B)	
REAR			
WH6-SCCR WH6-SCCRX clincher 28"	WH-104SC	KIT-34SC (18R right+10R left+1R1 left+29B)	

FRONT WHEEL	F + B	F1 + B
WH6-SCCF clincher 28"	L. 281 mm WH-105SCC (10 pcs.)	L. 281 mm WH-205SCC (1 pc.)

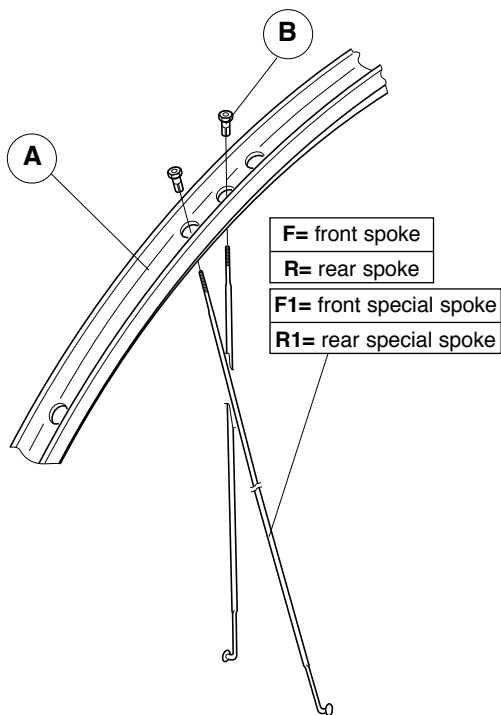
REAR WHEELS	R right + B	R left + B	R1 left + B
WH6-SCCR WH6-SCCRX clincher 28"	L. 280 mm WH-106SCC (10 pcs.)	L. 282 mm WH-107SCC (10 pcs.)	L. 282 mm WH-207SCC (1 pc.)



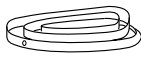
RIM TAPE 18 mm:
WH-RT01

COMPLETE LABEL KIT (front+rear):
LAB-SCC06

VENTO™
9s / 10s



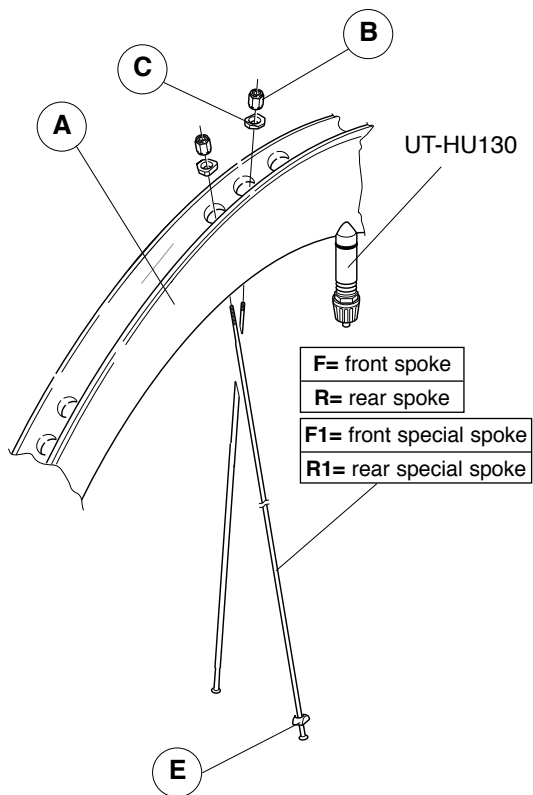
COMPLETE WHEELS	A	Compl. KIT	MINI-KIT
FRONT			
WH6-VECF clincher 28"	WH-203VE	KIT-13VE (8 FC+17 FL+ 1 F1+26 B)	KIT-500VE (1FC+1FL+1F1 +1R right +1R left+1R1L+5B)
REAR			
WH6-VECR WH6-VECRX clincher 28"	WH-204VE	KIT-14VE (19R right+9R left+1R1+29B)	
FRONT WHEEL	F central + B	F1 + B	F lateral + B
WH6-VECF clincher 28"	L. 276 mm WH-105VEC (10 pcs.)	L. 276 mm WH-305VEC (1 pc.)	L. 273 mm WH-205VEC (10 pcs.)
REAR WHEELS	R right + B	R left + B	R1 left + B
WH6-VECR WH6-VECRX clincher 28"	L. 287 mm WH-106VEC (10 pcs.)	L. 276 mm WH-105VEC (10 pcs.)	L. 276 mm WH-305VEC (1 pc.)



RIM TAPE 16 mm:
WH-RT02

COMPLETE LABEL KIT (front+rear):
LAB-VEC06

BORA™ ULTRA™
9s / 10s



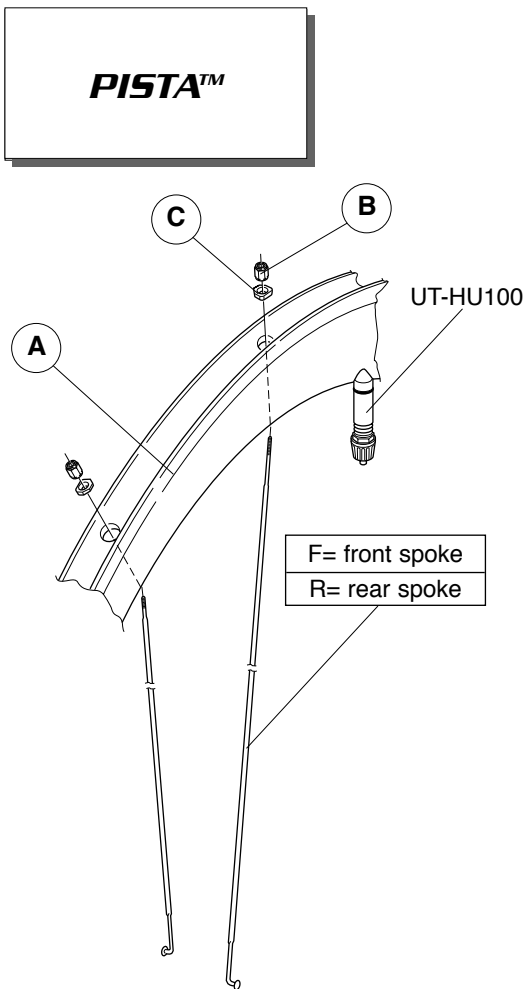
COMPLETE WHEELS	A	Compl. KIT	MINI-KIT
FRONT			KIT-300BO (1F+1F1+1R right +1R left+1R1 left+5B+5C+2E)
WH6-BOTF tubular 28"	WH-501BO	KIT-31BO (17F+2F1+19B+19C)	
REAR			
WH6-BOTR WH6-BOTRX tubular 28"	WH-402BO	KIT-32BO (14R right+6R left+2R1 left+22C+15E)	

FRONT WHEEL	F + B	F1 + B
WH6-BOTF tubular 28"	L. 264 mm WH-105BOT (10 pcs.)	L. 264 mm WH-205BOT (1 pc.)

REAR WHEELS	R right + B	R left + B	R1 right + B
WH6-BOTR WH6-BOTRX tubular 28"	L. 268 mm WH-106BOT (10 pcs.)	L. 268 mm WH-107BOT (10 pcs.)	L. 268 mm WH-206BOT (1 pc.)

B	C
10-WH-010BO (10 pcs.)	10-WH-011BO (10 pcs.)

COMPLETE LABEL KIT (front+rear):
LAB-BOT06



COMPLETE WHEELS	A	Compl. KIT	MINI-KIT
FRONT			
WH02-PTF tubular 28"	WH-001PI	KIT-01PI (22F+22B+22C)	KIT-100PI (3F+3R+6B+6C)
REAR			
WH02-PTR tubular 28"	WH-002PI	KIT-02PI (26R+26B+26C)	

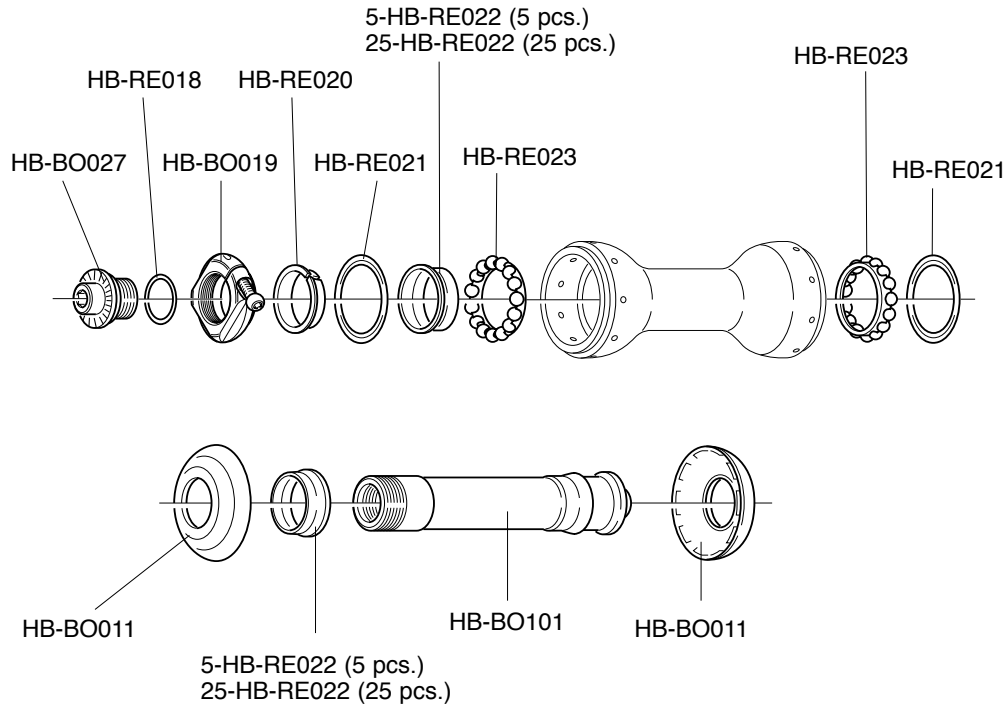
COMPLETE WHEELS	F + B	R + B
WH02-PTF tubular 28"	L. 278 mm WH-005PIT (10 pcs.)	
WH02-PTR tubular 28"		L. 287 mm WH-006PIT (10 pcs.)

B	C
10-WH-010BO (10 pcs.)	10-WH-011EU (10 pcs.)

**COMPLETE LABEL KIT (front+rear):
LAB-PIT05**

MOZZO ANTERIORE

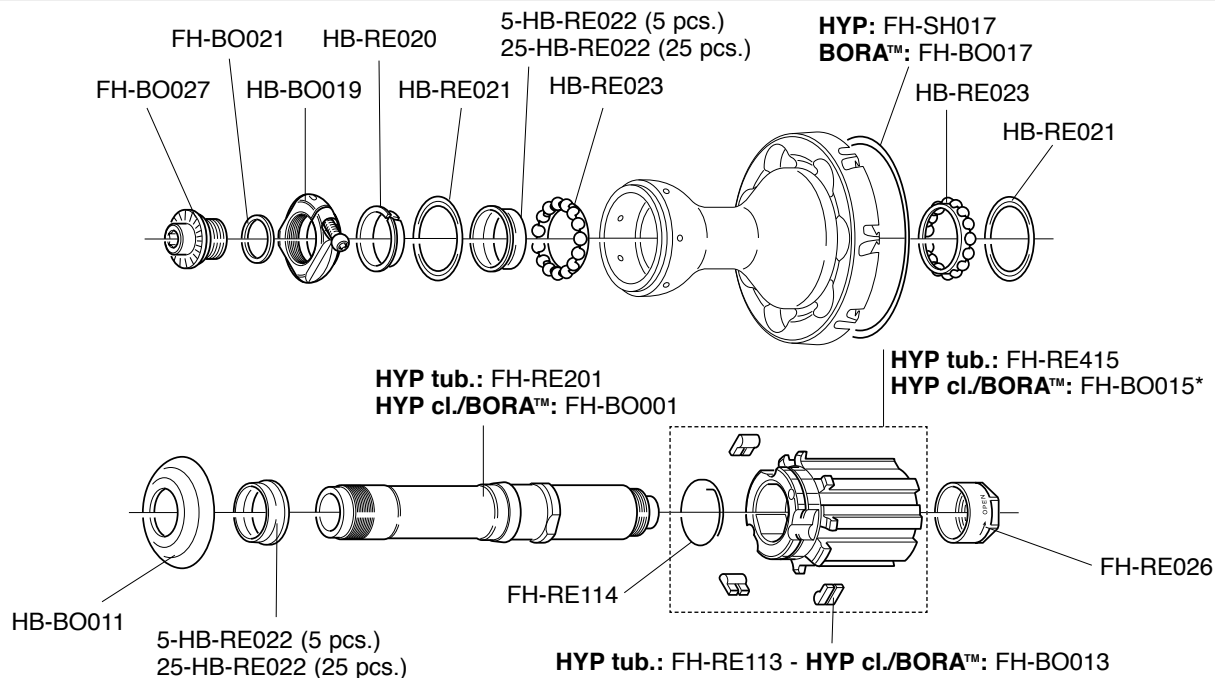
HYPERON™ ULTRA™ clincher / HYPERON™ tub. / BORA™ ULTRA™ tub.
FRONT HUB



MOZZO POSTERIORE 9s / 10s

HYPERON™ tub. / HYPERON™ ULTRA™ clincher / BORA™ ULTRA™ tub.

9s / 10s REAR HUB

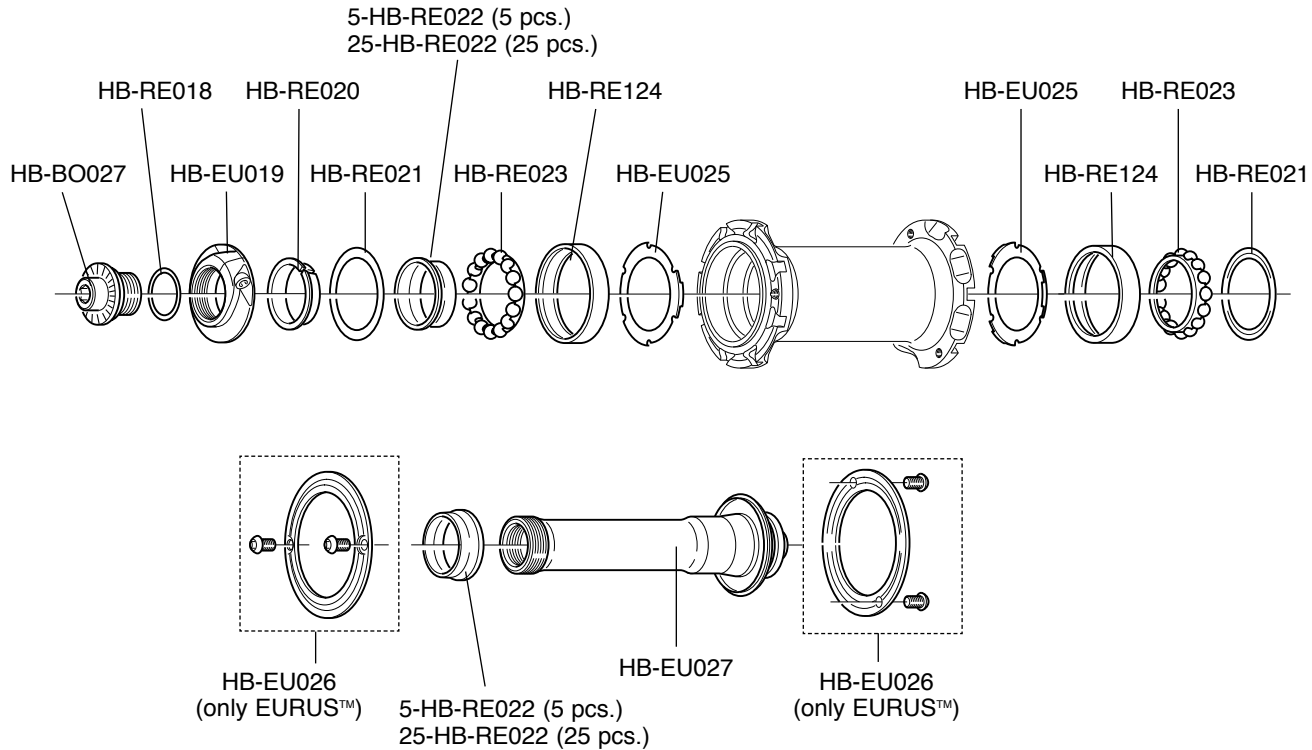


HG 10 type FW body / corpetto RL tipo HG 10: WH-KX10
 (compatible only with new axle code FH-BO001, requires special locking code CS-701 /
 compatibile solo con nuovo perno cod. FH-BO001, richiede ghiera speciale cod. CS-701)

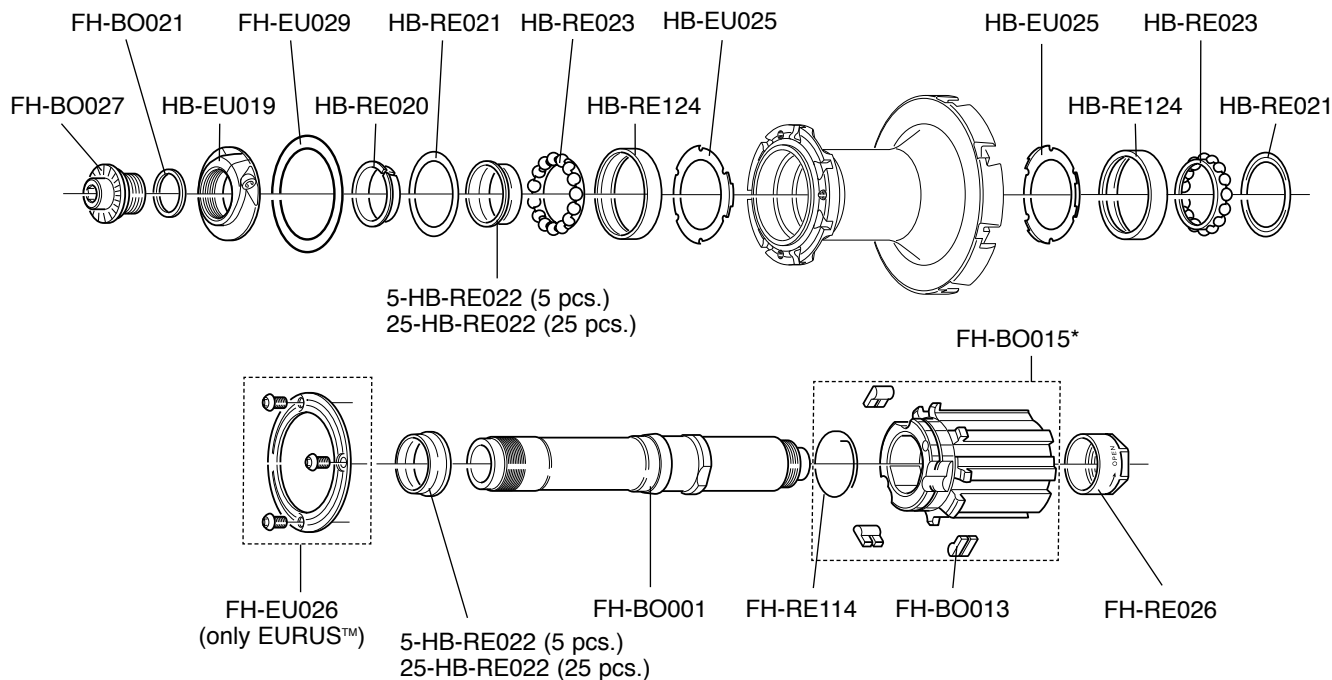
HG 8/9 type FW body / corpetto RL tipo HG 8/9:
WH-KX1 (RECORD type) - WH-KX2 (CHORUS type)

* compatible only with new axle code FH-BO001

MOZZO ANTERIORE
EURUS™ / ZONDA™
FRONT HUB



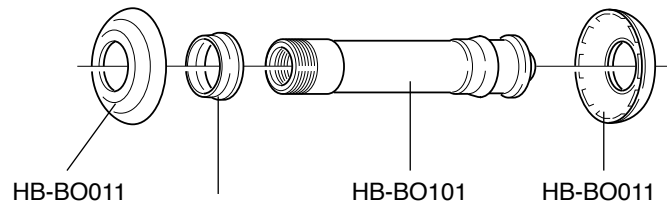
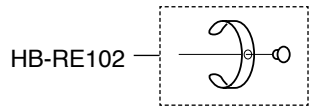
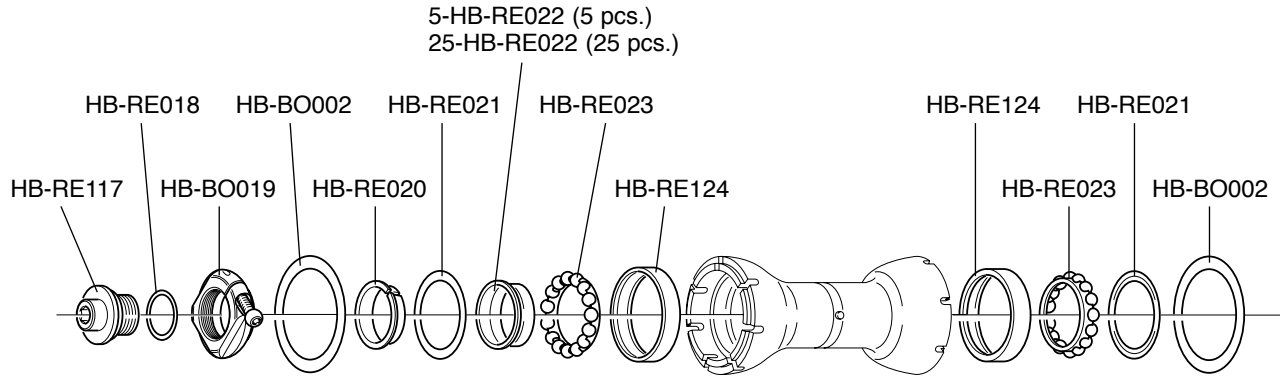
MOZZO POSTERIORE EURUS™ / ZONDA™ REAR HUB



HG 10 type FW body / corpetto RL tipo HG 10: WH-KX10
 (compatible only with new axle code FH-BO001, requires special lockring code CS-701 /
 compatibile solo con nuovo perno cod. FH-BO001, richiede ghiera speciale cod. CS-701)

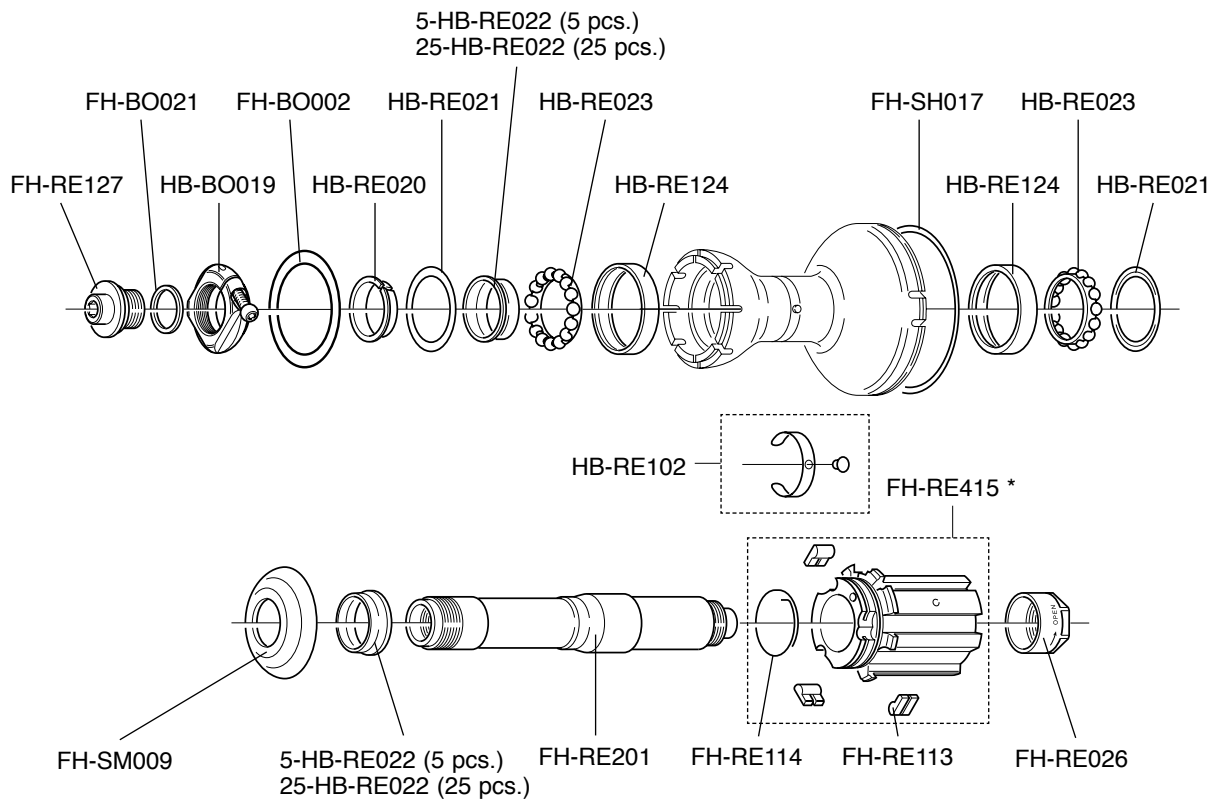
* compatible only with new axle code FH-BO001

MOZZO ANTERIORE
NEUTRON™
FRONT HUB



5-HB-RE022 (5 pcs.)
 25-HB-RE022 (25 pcs.)

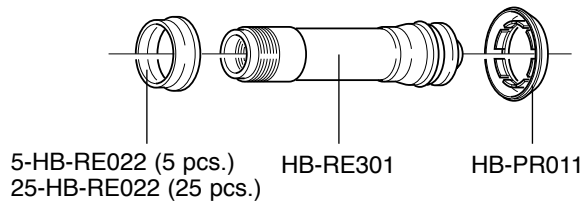
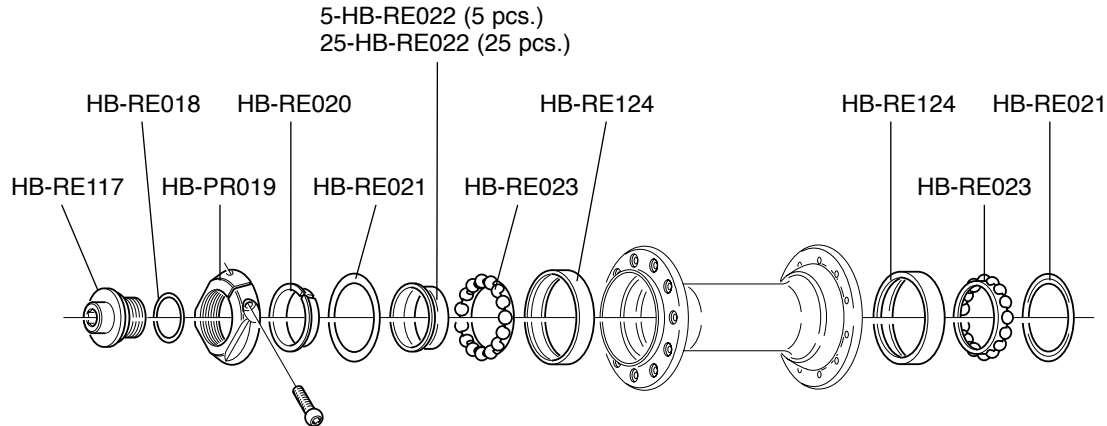
MOZZO POSTERIORE 9s / 10s NEUTRON™ 9s / 10s REAR HUB



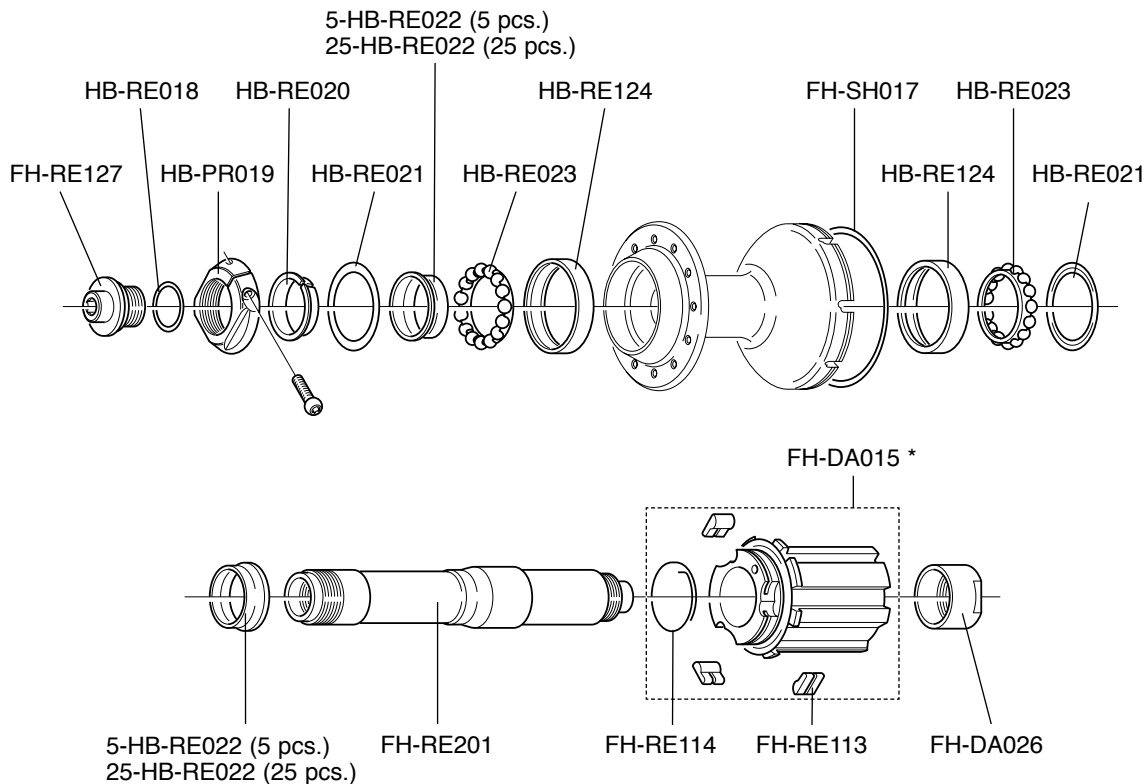
* HG 8/9 type FW body / corpetto RL tipo HG 8/9: **WH-KX1** (RECORD type)

WH-KX2 (CHORUS type)

MOZZO ANTERIORE
PROTON™
FRONT HUB



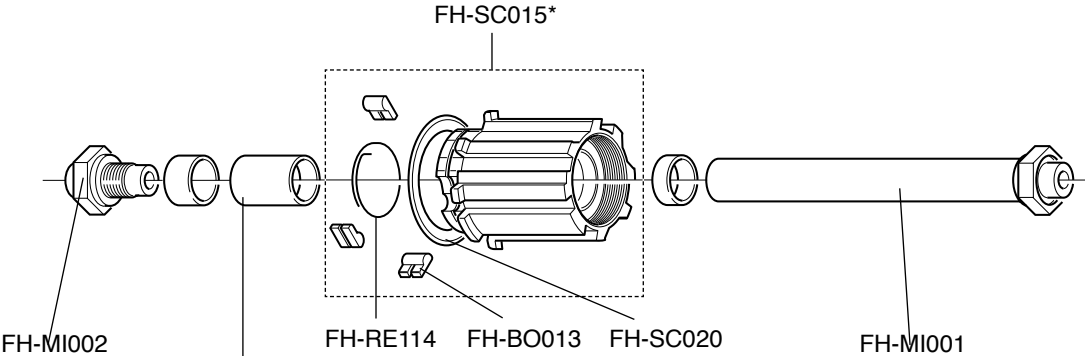
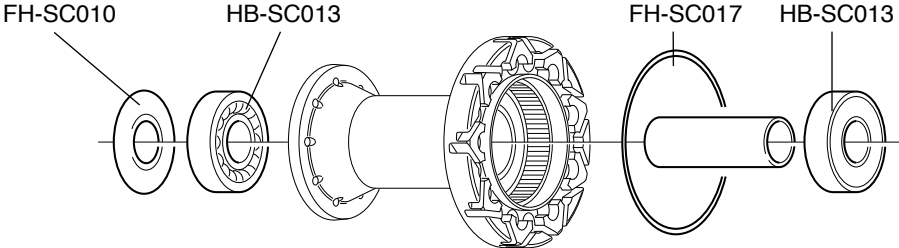
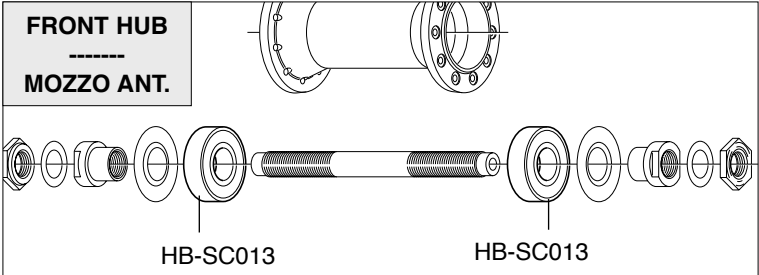
MOZZO POSTERIORE 9s / 10s *PROTON™* 9s / 10s REAR HUB



* HG 8/9 type FW body / corpetto RL tipo HG 8/9: **WH-KX1** (RECORD type)

WH-KX2 (CHORUS type)

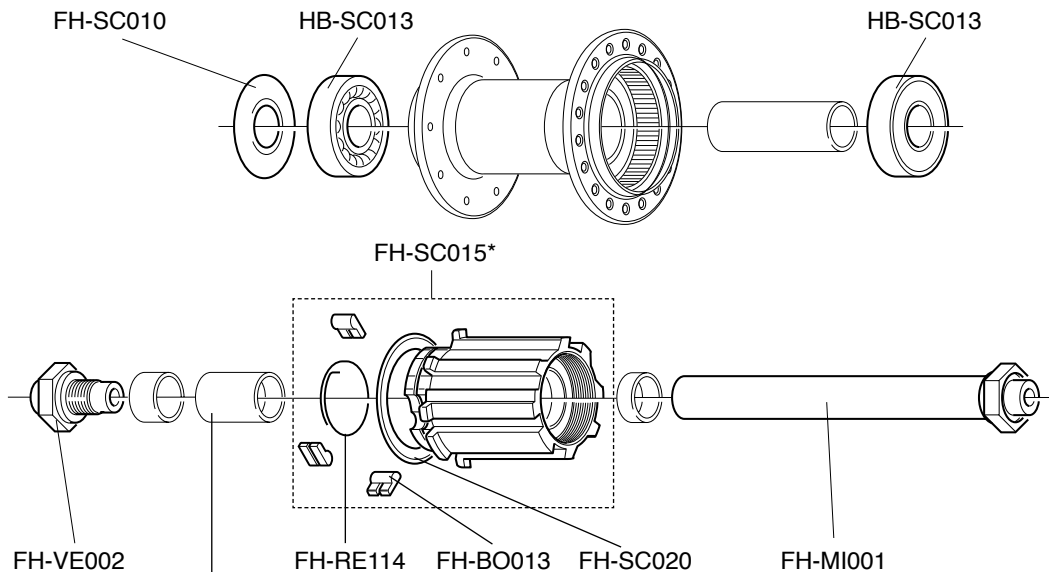
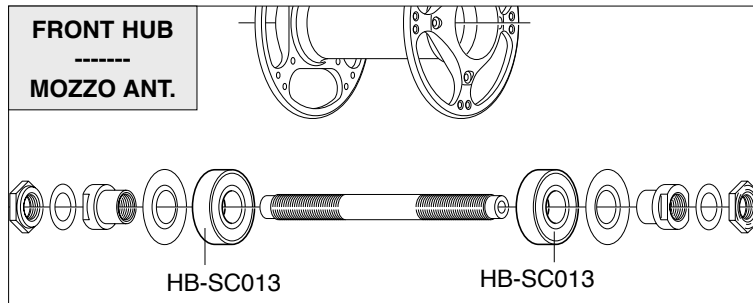
**MOZZO ANTERIORE
e POSTERIORE
SCIROCCO™
FRONT and REAR HUB**



FH-SC011 (per RL tipo Campy / for Campy type FW)
FH-SC012 (per RL tipo HG 8/9/10 / for HG 8/9/10 type FW)

* HG 8/9/10 type FW body / corpetto RL tipo HG 8/9/10: **WH-KX9**

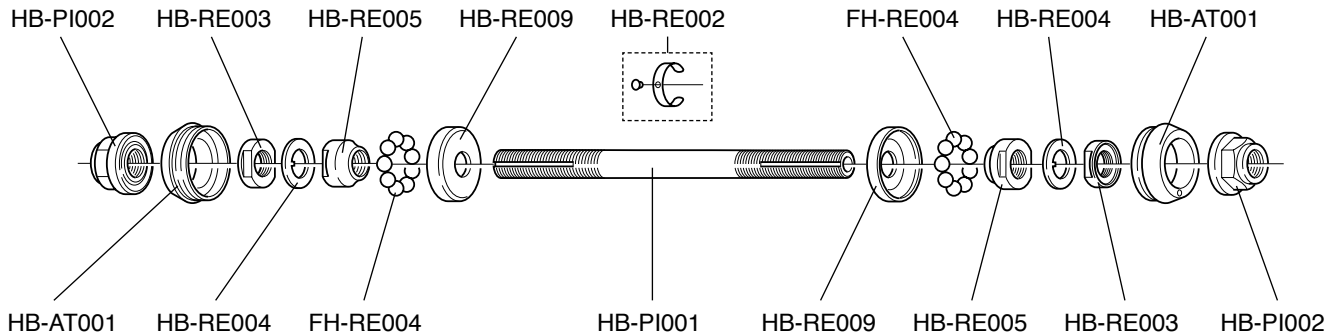
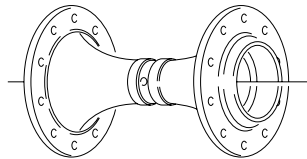
**MOZZO ANTERIORE
e POSTERIORE
VENTO™
FRONT and REAR HUB**



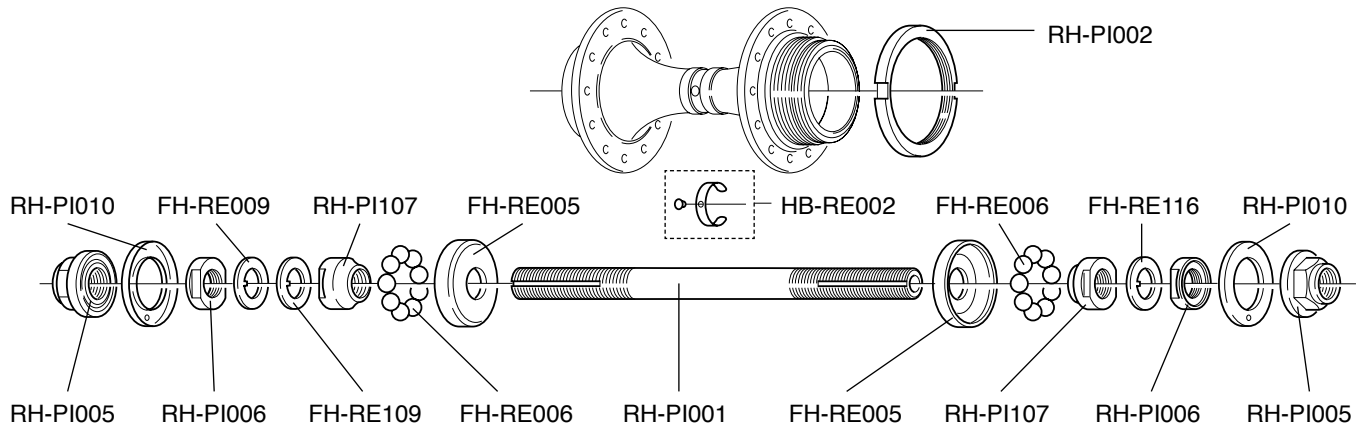
FH-SC011 (per RL tipo Campy / for Campy type FW)
FH-SC012 (per RL tipo HG 8/9/10 / for HG 8/9/10 type FW)

* HG 8/9/10 type FW body / corpetto RL tipo HG 8/9/10: **WH-KX9**

MOZZO ANTERIORE
PISTA™
FRONT HUB



MOZZO POSTERIORE *PISTA™* REAR HUB



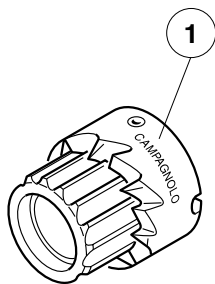
Utensili raccomandati reperibili in commercio

Recommended tools, commercially available

- Cacciavite a croce PH 1 (Phillips)
- Chiave a manico di cacciavite con esagono da 5mm per raggi ruote
- Chiave a brugola da 2,5 mm per registrazione mozzi
- Chiave a brugola da 3 mm per blocchetti fermaguaine
- Chiave a brugola da 5 mm per freni, comandi Ergopower™, ecc.
- Chiave dinamometrica con chiave a brugola da 8 mm per montaggio viti pedivelle
- Chiave fissa da 17 mm per controdado mozzo posteriore
- Chiave a bussola da 24 mm per utensile fissaggio calotte mov. centrale Daytona/Centaur™, Veloce™, Mirage™ (UT-BB100 - pag. 141)
- Maschio M10 x 1 per ripasso occhiello attacco cambio su forcellini
- Chiave TORX per viti fissaggio ingranaggi guarniture RECORD™ e CHORUS™ CARBON (a partire da gamma 2004) e CENTAUR™ CARBON.

-
- Phillips type screwdriver
 - 5 mm nut driver for wheel spokes
 - 2.5 mm allen key, for hub lock nut
 - 3 mm allen key, for downtube adjusters
 - 5 mm for brakes, Ergopower™ control levers, etc.
 - Torque wrench fitted with 8 mm allen key
 - 17 mm hexagonal wrench, for rear hub axle nut
 - 24 mm hexagonal wrench for Daytona/Centaur™, Veloce™, Mirage™ bottom bracket tool (UT-BB100 on page 141)
 - M10 x 1 tap for recutting rear derailleur hanger thread
 - TORX wrench to fix the chainrings of the RECORD™ and CHORUS™ CARBON cranksets (from 2004 range) and CENTAUR™ CARBON cranksets.

HEADSET



Doppia fresa sedi calotte per attrezzo UT-HS090 (Ø 1")

UT-HS093: standard

UT-HS094: con inserti in metallo duro

Double cutter cup seats for tool UT-HS090 (Ø 1")

UT-HS093: standard

UT-HS094: with hard metal inserts

Fraise double pour sièges cuvettes pour outil UT-HS090 (Ø 1")

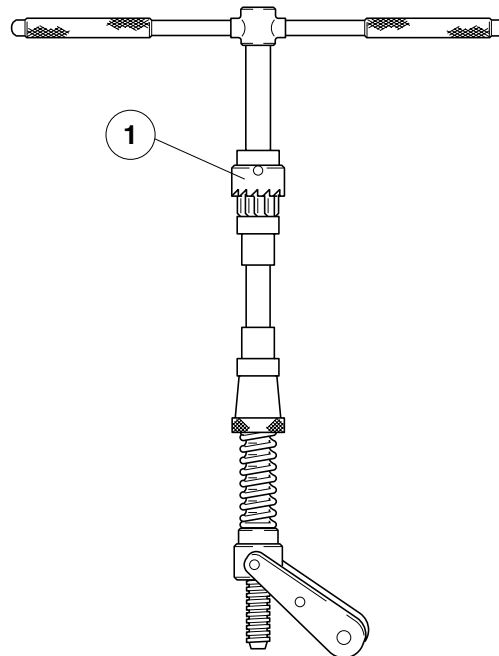
UT-HS093: standard

UT-HS094: avec inserts métal dur

Doppelfräser für Gabelkonus für Werkzeug UT-HS090 (Ø 1")

UT-HS093: Standard

UT-HS094: mit aufgetragenen Hartmetallplättchen



UT-HS090

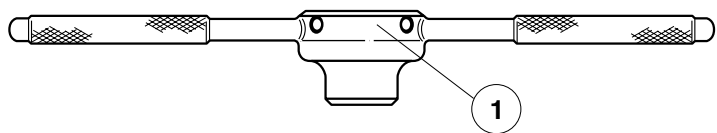
Attrezzo fresatura tubo sterzo, montaggio calotta inferiore e cono superiore serie sterzo 1" - completo di doppia fresa standard (1)

Tool for milling steering tube, for fitting bottom cup and top cone 1" headset - with standard double cutter (1)

Outil pour fraisage tube de direction, montage cuvette inférieure et cône supérieur jeux de directions 1" - avec fraise double standard (1)

Steuersatz-Fräswerkzeug - mit Standard-Doppelfräser (1) - für 1" Steuerschalensitz

HEADSET



UT-HS020

Atrezzo per ripasso filetto forcelle per sterzi 1", con filiera (1)

Tool for recutting fork thread for 1" Headsets, with threader (1)

Outil pour repassage filetage fourche pour jeux de directions 1", avec filière (1)

Werkzeug zum Nachschneiden von Gabelschaftgewinde, mit Gewinde-schneider (1), für Ø 1" Steuersatz

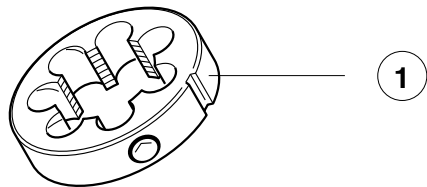
UT-HS021

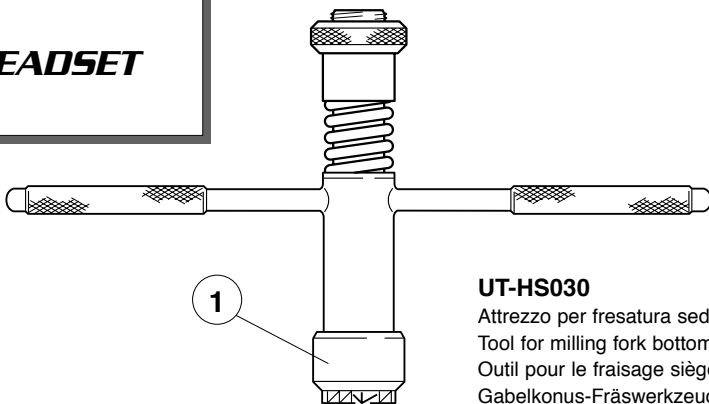
Filiera per attrezzo ripasso forcella UT-HS020 (1")

Cutter for recutting fork thread tool UT-HS020 (1")

Filière pour outil repassage fourche UT-HS020 (1")

Gewindeschneider für Werkzeug UT-HS020 (1") zum Nachschneiden für Gabelschaftrohr





UT-HS030

Attrezzo per fresatura sede cono forcella per serie sterzo 1" con fresa standard (1)
 Tool for milling fork bottom cone seat for 1" headsets with standard cutter (1)
 Outil pour le fraisage siège cône de fourche pour directions 1" avec fraise standard (1)
 Gabelkonus-Fräswerkzeug für 1" Steuersitz mit Standardfräser (1)



UT-HS110

Attrezzo mont. cono forcella, per s. sterzo Hiddenset 1"
 Tool for installing fork cone, for Ø 1" Hiddenset headset
 Outil pour montage cône de fourche, pour jeux de directions Hiddenset 1"
 Werkzeug zur Montage von Gabelkonus, für Ø 1" Hiddenset Steuersatz

UT-HS120

Attrezzo mont. cono forcella, per s. sterzo Hiddenset 1-1/8"
 Tool for installing fork cone, for Ø 1-1/8" Hiddenset headset
 Outil pour montage cône de fourche, pour jeux de directions Hiddenset 1-1/8"
 Werkzeug zur Montage von Gabelkonus, für Ø 1-1/8" Hiddenset Steuersatz

Fresa per attrezzo UT-HS030 Ø 1"

UT-HS031: standard

UT-HS032: con inserti in metallo duro

Cutter for tool UT-HS030 Ø 1"

UT-HS031: standard

UT-HS032: with hard metal inserts

Fraise pour outil UT-HS030 Ø 1"

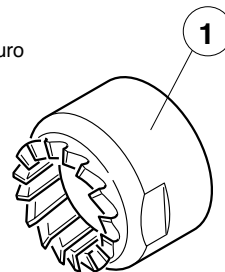
UT-HS031: standard

UT-HS032: avec inserts métal dur

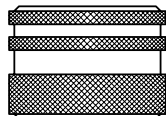
Ø 1" Fräser für UT-HS030 Werkzeug

UT-HS031: Standard

UT-HS032: mit aufgetragenen Hartmetallplättchen

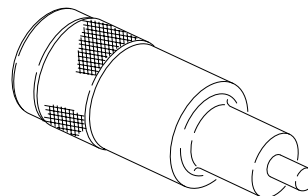


HEADSET



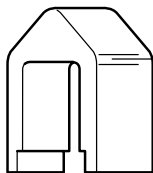
UT-HS080

Calibro controllo sede cono forcelle Ø 26,4 mm
Gauge for checking fork cone seat 26,4 mm Ø
Calibre de contrôle siège cône de fourche Ø 26,4 mm
Kontrollehre für Gabelkonussitz Ø 26,4 mm



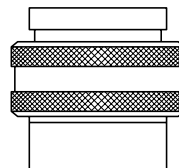
UT-HS100

Attrezzo montaggio serie sterzo Ø 1" per cannotto non filettato
Tool for installing Ø 1" headset for unthreaded steerers
Outil pour montage jeu de direction Ø 1" pour tube de fourche non fileté
Werkzeug zur Ø 1" Steuersatzmontage für gewindelosen Gabelschaft



UT-HS060

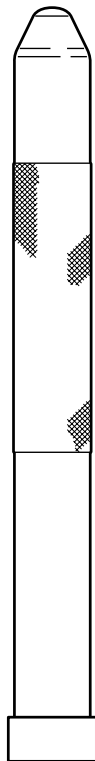
Estrattore cono forcella serie sterzo
Headset crown race remover
Extracteur cône de fourche pour jeux de directions
Abschläger für Gabelkonus für Steuersatz



UT-HS070

Calibro controllo sedi coni e calotte sterzi 1"
Gauge for checking cone and cup seats 1" headsets
Calibre de contrôle sièges cônes et cuvettes jeux de directions 1"
Kontrollehre für Gabelkonus und 1" Steuerschalensitz

HEADSET



UT-HS040

Punzone per montaggio cono forcella, per serie sterzo Ø 1"

Punch for installing fork cone, for Ø 1" headset

Outil pour montage cône de fourche, pour jeux de directions Ø 1"

Aufschläger für Montage von Gabelkonus, für Ø 1" Steuersatz

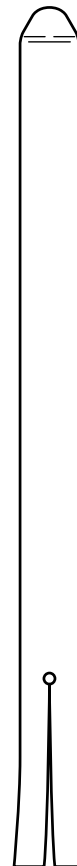
UT-HS050

Estrattore calotta inferiore e cono superiore, per serie sterzo Ø 1"

Extractor for lower headset cup and race, for Ø 1" headset

Extracteur cuvette inférieure et cône supérieur, pour jeux de directions Ø 1"

Austreiber für oberen Konus und untere Lagerschale, für Ø 1" Steuersatz



BOTTOM BRACKET

UT-BB045

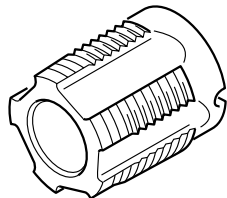
Maschio filetto italiano (1 pz.)
Tap for Italian thread (1pc.)
Taraud filetage italien (1 pc.)
ITA Gewindeschneider (1 St.)

UT-BB046

Maschio filetto inglese destro (1 pz.)
Tap for English thread right-hand (1pc.)
Taraud filetage anglais droit (1 pc.)
BSA Gewindeschneider rechts (1 St.)

UT-BB047

Maschio filetto inglese sinistro (1 pz.)
Tap for English thread left-hand (1pc.)
Taraud filetage anglais gauche (1 pc.)
BSA Gewindeschneider links (1 St.)



Atrezzo per filettatura scatola movimento centrale con 2 maschi

UT-BB040: Filetto italiano

UT-BB041: Filetto inglese

Tool for threading bottom bracket housing with 2 taps

UT-BB040: Italian thread

UT-BB041: English thread

Outil pour le filetage de la boîte de pédalier avec 2 tarauds

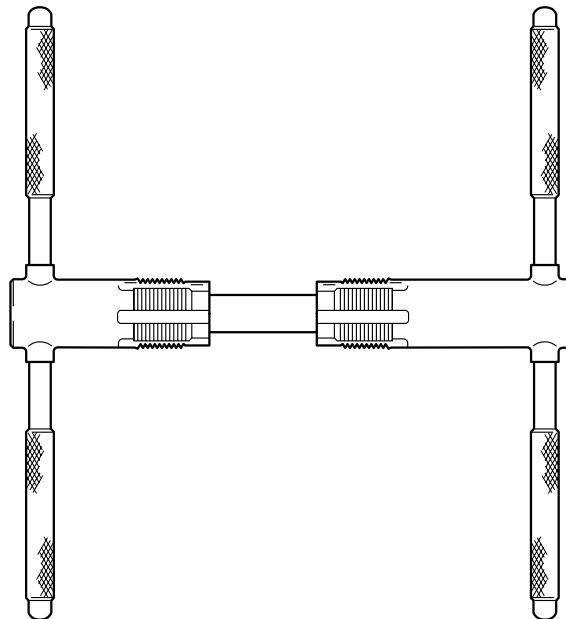
UT-BB040: filetage italien

UT-BB041: filetage anglais

Tretlager-Gewindeschneid-Werkzeug mit 2 Gewindeschneider mit:

UT-BB040: ITA Gewinde

UT-BB041: BSA Gewinde



BOTTOM BRACKET

UT-BB052: 2 manicotti filettati di guida per attrezzo UT-BB050, italiano

UT-BB053: 2 manicotti filettati di guida per attrezzo UT-BB051, inglese

UT-BB052: Inner and outer thread guide for UT-BB050, IT thread

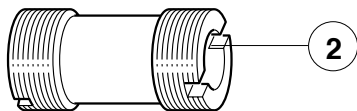
UT-BB053: Inner and outer thread guide for UT-BB051, BSC thread

UT-BB052: 2 manchons filetés de guide pour outils UT-BB050 fil. Italien

UT-BB053: 2 manchons filetés de guide pour outils UT-BB051 fil. anglais

UT-BB052: 2 Gewindemuffen zur Führung Werkzeuge UT-BB050, ITA

UT-BB053: 2 Gewindemuffen zur Führung Werkzeuge UT-BB051, BSA



Fresa per attrezzi UT-BB050 e UT-BB051

UT-BB054: Fresa standard

UT-BB055: Fresa con inserti metallo duro

Cutter for tools UT-BB050 and UT-BB051

UT-BB054: standard cutter

UT-BB055: cutter with hard metal inserts

Atrezzo fresatura piani scatola movimento centrale con fresa standard (1) e 2 manicotti filettati (2)

UT-BB050: Filetto italiano

UT-BB051: Filetto inglese

Bottom bracket facing set with standard cutter (1) and 2 - inner and outer - thread guide (2)

UT-BB050: Italian thread

UT-BB051: English thread

Outil fraisage faces boîte de pédalier avec fraise standard (1) et 2 manchons filetés de guide (2)

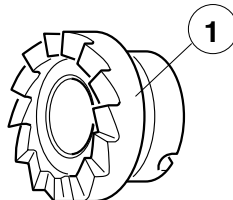
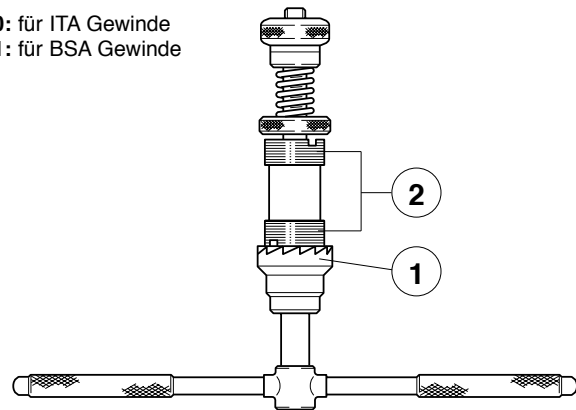
UT-BB050: filetage italien

UT-BB051: filetage anglais

Werkzeug zum Planfräsen des Tretlager-gehäuses mit Standardfräse (1) und 2 Gewindemuffen (2)

UT-BB050: für ITA Gewinde

UT-BB051: für BSA Gewinde



Fresa per attrezzi UT-BB050 e UT-BB051

UT-BB054: Fresa standard

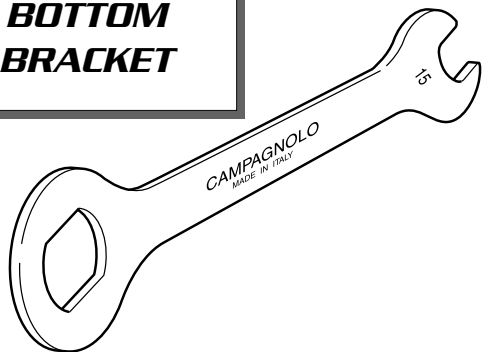
UT-BB055: Fresa con inserti metallo duro

Cutter for tools UT-BB050 and UT-BB051

UT-BB054: standard cutter

UT-BB055: cutter with hard metal inserts

BOTTOM BRACKET

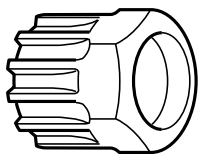
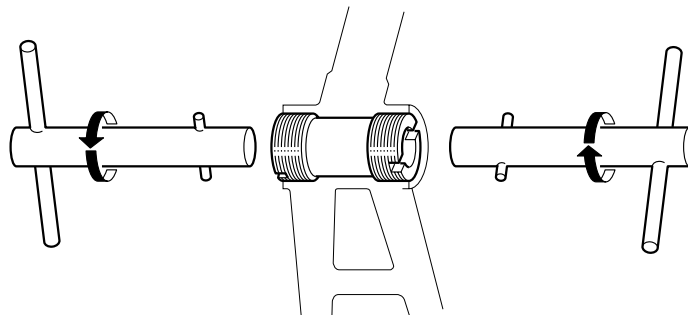


UT-BB030

Chiave per calotta destra movimenti centrali e per montaggio pedali
Spanner for bottom bracket right-hand cup and installing pedals
Clé pour cuvette droite jeu de pédalier et montage pédales
Schlüssel für rechte Innenlagerschalen und Pedal-Montage

UT-BB060

Chiave per montaggio manicotti attrezzi UT-BB050/UT-BB051 (1 pz.)
Key for BB-thread guides UT-BB050/UT-BB051 (1 pcs.)
Clé pour montage guides pour outils UT-BB050/UT-BB051 (1 pcs.)
Rohrschlüssel für Tretlagergewinde-Führungsteile UT-BB050/UT-BB051 (1 Stück)

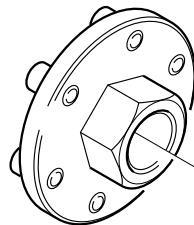


UT-BB080 (1 pz.) - 10-UT-BB080 (10 pz.):

Chiave per montaggio movimenti centrali CART e ghiera di chiusura pacchi pignoni
Cartridge bottom bracket and sprocket cassette- lock ring remover
Clé pour montage jeux de pédalier CART et roues-libres à cassette
Schlüssel zur Montage von Patronen-Tretlager und Schließring für Freilaufzahnkranz

UT-BB100

Utensile per movimenti a cartuccia Daytona/Centaur™, Veloce™ e Mirage™
Tool for Daytona/Centaur™, Veloce™ and Mirage™ cartridge bottom bracket
Clé pour jeux de pédalier à cartouche Daytona/Centaur™, Veloce™ et Mirage™
Montageschlüssel für Daytona/Centaur™, Veloce™ und Mirage™ Patronen-Tretlager



HEADSET / BOTTOM BRACKET

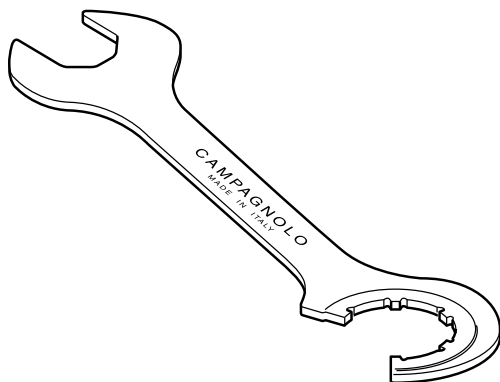


UT-BB010

Chiave per serie sterzo Ø 1" e calotta sinistra movimento centrale Pista™
 Spanner for Ø 1" head sets and Pista™ bottom bracket left hand cup
 Clé pour direction Ø 1" et cuvette réglable jeu de pédalier Pista™
 Schlüssel für Ø 1" Steuersatz und Stiftschlüssel für Pista™ Tretlagerschale

UT-BB011

Punta per chiave UT-BB010
 Pin for UT-BB010
 Grain pour clé UT-BB010
 Stift für Schlüssel UT-BB010



UT-HS010

Chiave per serie sterzo Ø 1" e contranello movimento centrale Pista™
 Spanner for Ø 1" head sets and Pista™ bottom bracket counter ring
 Clé pour direction Ø 1" et contre-écrou du jeu de pédalier Pista™
 Schlüssel für Ø 1" Steuersatz und Pista™ Tretlager-Konterring

FRAME PREPARATION

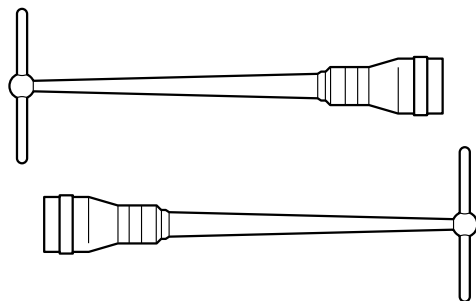
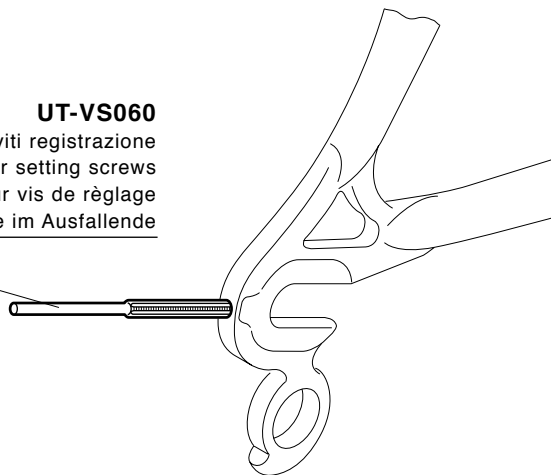
UT-VS060

Maschio M3 x 0,5 per ripasso filetti forcellini per viti registrazione

M3 x 0,5 tap for recutting rear drop-out threads for setting screws

Taraud M3 x 0,5 pour repassage filetage pattes de cadre pour vis de réglage

M3 x 0,5 Gewindebohrer zum Nachschneiden von Stellschraubengewinde im Ausfallende



UT-VS120

Calibro per controllo allineamento forcellini e punte forcelle (2 pz.)

Drop-out alignment set (2 pcs.)

Calibre pour contrôle alignement pattes de cadres et pattes de fourches (2 pcs.)

Werkzeug zum Ausrichten von Gabel- und Ausfallenden (2 St.)

**FRAME
PREPARATION**

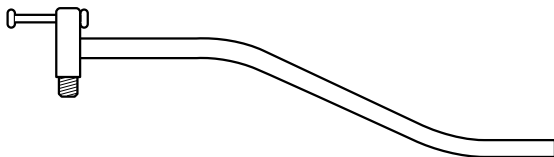
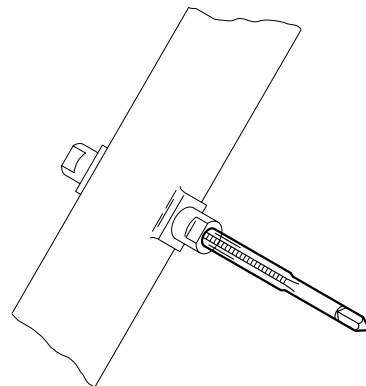
UT-VS050

Maschio M5 x 0,8 per ripasso filetti attacchi quadri comandi e attacchi borracce

M5 x 0,8 tap for recutting shifting lever- and bottle cage threads

Taraud M5 x 0,8 pour repassage filetage plots de manettes et attaches bidons

M5 x 0,8 Gewindebohrer zum Nachschneiden der Gewinde für Schalthebel und Trinkflaschenhalter



UT-VS030

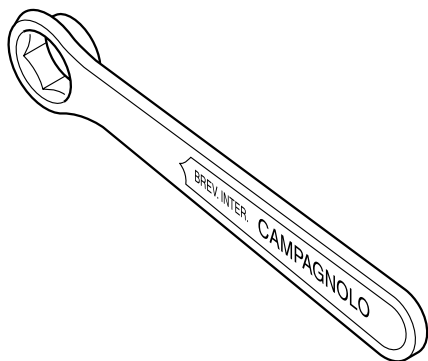
Riscontro allineamento occhiello attacco cambio

Rear derailleur hanger alignment tool

Calibre de contrôle attache de dérailleur arrière

Richtwerkzeug zur Kontrolle von Ausfallende mit Schaltauge

CRANKS / CHAINRINGS



UT-FC050

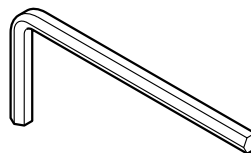
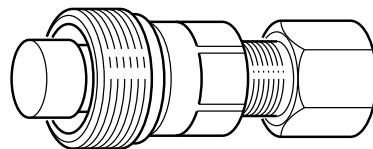
Chiave con esagono da 15 mm per estrattore pedivelle
15 mm crank bolt spanner
Clé avec hexagone de 15 mm pour extraire manivelles
15 mm Schlüssel für Tretkurbelabzieher

UT-FC060

Estrattore pedivelle standard
Extractor for standard cranks
Extracteur manivelles standards
Standard - Tretkurbelabzieher

UT-FC070

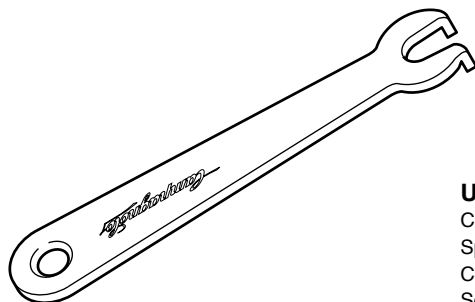
Estrattore pedivelle con filetto a sinistra
Extractor for cranks with l.h. thread
Extracteur manivelles avec filetage à gauche
Trekurbelabzieher mit Linksgewinde



UT-FC030

Chiave a brugola da 5 mm
5 mm allen key
Clé à pans creux de 5 mm
5 mm L-Schlüssel

**CRANKS /
CHAINRINGS /
BRAKES**



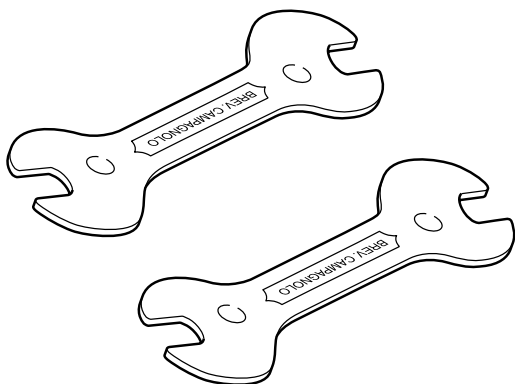
UT-FC040

Chiave per dadi fissaggio ingranaggi

Spanner for chainring retaining nuts

Clé pour écrous de fixation plateaux de pédaliers

Schlüssel zur Befestigung von Kettenblattbolzen



UT-BR010

Coppia chiavi 13-14 per registrazione freni e coni mozzi

Pair of 13-14 mm spanners for adjusting brakes and hub cones

Paire clés 13-14 pour réglage freins et cônes de moyeux

13-14 mm Schlüssel (2 Stücke) zum Einstellen von Bremsen und Nabelkonen

HUBS & WHEELS

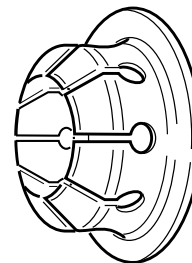
UT-HU090

Attrezzo per montaggio cricchetti ruota libera su mozzi standard e HPW™

Freewheel-pawl assembling tool (standard and HPW™-hubs)

Outil pour montage cliquets de roue-libre sur moyeux standard et HPW™

Werkzeug zur Montage der Kassettenkörper-Sperrklinken (Standard- und HPW™-Nabe)



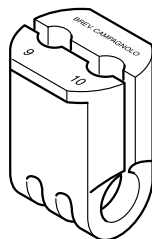
UT-HU020

Pinza per perni filettati mozzi

Hub axle vise

Pince pour axes filetés de moyeux

Klemmvorrichtung für Naben-Achsgewinde



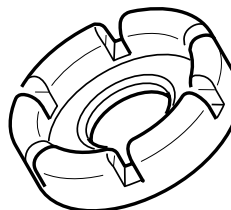
UT-HU050

Tiraraggi

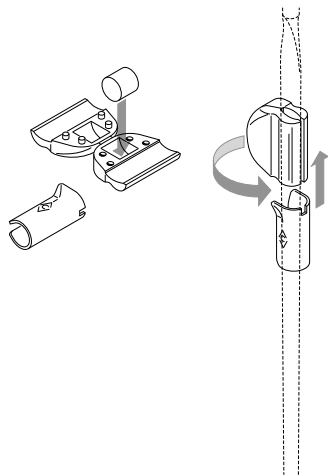
Spoke wrench

Clé à rayons

Speichenschlüssel

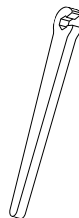


HUBS & WHEELS



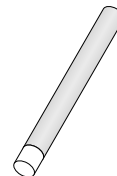
UT-WH060

Magnete velocità per raggi EURUS™ 06
SPD magnet for EURUS™ 06 spokes
Aimant vitesse pour rayons EURUS™ 06



UT-WH040

Chiave tiraraggi EURUS™ 06
Spoke wrench EURUS™ 06
Clé à rayons EURUS™ 06



UT-WH050

Magnete guida-nipplo
Nipple guide magnet
Aimant de guidage écrou

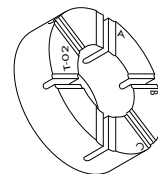


UT-WH020

Inserto nipplo attira-magnete per EURUS™ 06
Magnet-attracting nipple insert for EURUS™ 06
Insert d'écrou pour attirer l'aimant EURUS™ 06

UT-WH030

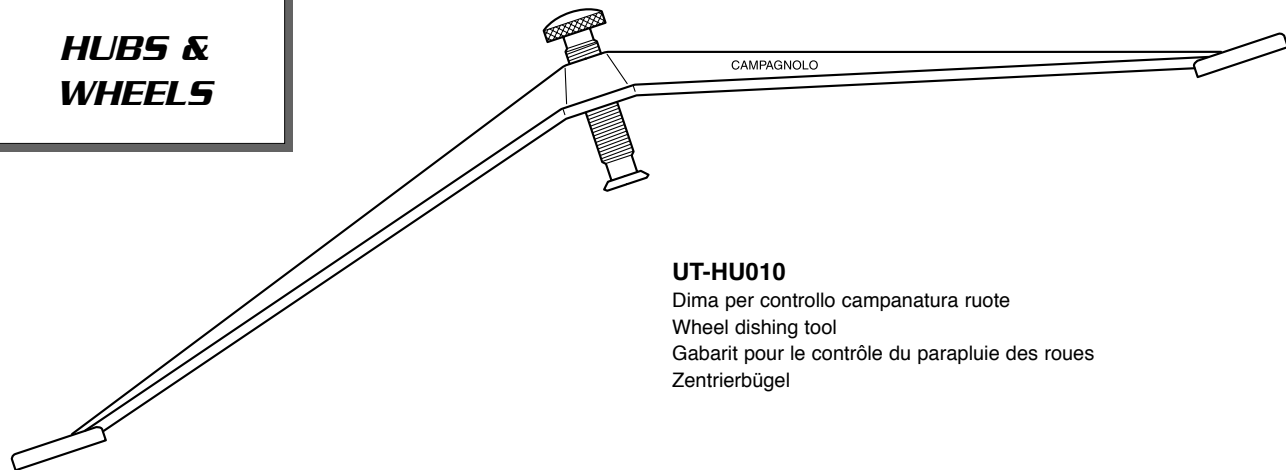
Inserto nipplo attira-magnete per ZONDA™ 06
Magnet-attracting nipple insert for ZONDA™ 06
Insert d'écrou pour attirer l'aimant ZONDA™ 06



UT-WH010

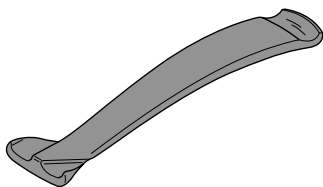
Anello anti-rotazione raggi
Spoke antirotation ring
Bague antirotation des rayons

HUBS & WHEELS



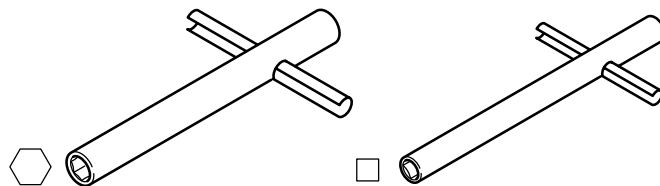
UT-HU010

Dima per controllo campanatura ruote
Wheel dishing tool
Gabarit pour le contrôle du parapluie des roues
Zentrierbügel



WH-009HYC

Leva in composito per rimozione copertoncino
Composite lever for removing clinchers
Démonte-pneus en composite
Reifenheber aus Verbundwerkstoff zum Abnehmen des Drahtreifens



UT-HU070

Chiave con esagono da 5,5 mm per raggi ruote
5,5 mm nut driver for wheel spokes
Clé à rayons de 5,5 mm
5,5 mm Nippelspanner

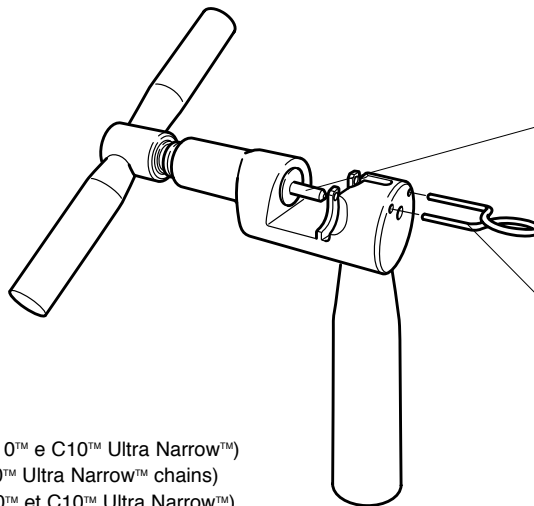
UT-HU060

Chiave per raggi ruote Bora™ (fino a gamma '02 - per gamma '03 e succ. vedi pag. 120)
Bora™ wheel truing tool (till '02 range - from '03 range see page 120)
Clé à rayons pour Bora™ (jusqu'à la gamme '02 - pour gamme '03 et suivantes p. 120)
Vierkant-Nippelspanner für Bora™ (bis '02 Produktlinie - ab '03 Produktlinie siehe S. 120)

SPROCKETS / CHAIN

CAMPY™ UT-CN200

Utensile per **HD-Link™** (catene C10™ e C10™ Ultra Narrow™)
 Tool for **HD-Link™** (C10™ and C10™ Ultra Narrow™ chains)
 Outil pour **HD-Link™** (chaînes C10™ et C10™ Ultra Narrow™)
 Werkzeug für **HD-Link™** (C10™ und C10™ Ultra Narrow™ Kette)

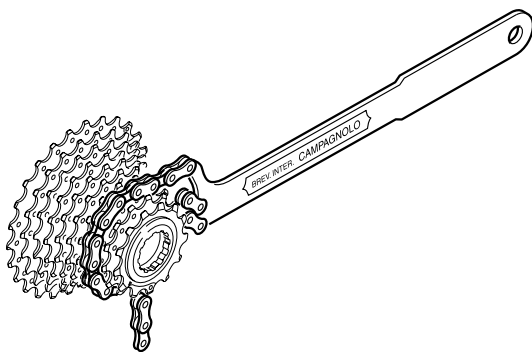


UT-CN201

Spintore per UT-CN200
 Pusher for UT-CN200
 Poinçon pour UT-CN200
 Schieber für UT-CN200

UT-CN202

Dispositivo di blocco per UT-CN200
 Clamping device for UT-CN200
 Dispositif de blocage pour UT-CN200
 Sperrvorrichtung für UT-CN200



UT-CS060

Chiave con catena 10s per smontaggio pignoni 10s, 9s e 8s
 Spanner with 10s chain for 10, 9 and 8s sprockets
 Fouet à chaîne 10s pour pignons 10s, 9s et 8s
 Zahnkranzabnehmer mit Rennkette 10s für 10-, 9- und 8s Ritzeln

ENGLISH	ITALIANO	FRANCAIS	DEUTSCH
BRAKE HOUSING FERRULES	CAPIGUAINA FRENO	BUTEE DE GAINE FREINS	BREMSZUG-ENDKAPPE
CLINCHER	COPERTONCINO	PNEUS ETROIT	DRAHTREIFEN
COMPATIBLE	COMPATIBILE	COMPATIBLE	KOMPATIBEL
FIXED CLEAT	TACCHETTA SENZA GIOCO	CALES SANS JEU	SCHUHPLATTE OHNE SPIEL
FLOATING CLEAT	TACCHETTA CON GIOCO	CALES AVEC JEU	SCHUHPLATTE MIT SPIEL
FRONT (F)	ANTERIORE	AVANT	VORDER
FRONT HUB	MOZZO ANTERIORE	MOYEU AVANT	VR-NABE
FW BODY	CORPO RL	CORPS RL	FREILAUFKÖRPER
LEFT (L)	SINISTRO	GAUCHE	LINKS
LONG	LUNGO	LONGUE	LANG
MEDIUM	MEDIO	MOYEN	MITTELLANG
NOT COMPATIBLE	NON COMPATIBILE	NON COMPATIBLE	NICHT KOMPATIBEL
ONLY	SOLO	SEULEMENT	NUR
PREVIOUS	PRECEDENTE	PRECEDENT	VORHERGEHEND
PRODUCT RANGE	GAMMA PRODOTTI	GAMME PRODUITS	PRODUKTLINIE
REAR (R)	POSTERIORE	ARRIERE	HINTER
REAR HUB	MOZZO POSTERIORE	MOYEU ARRIERE	HR-NABE
RIGHT (R)	DESTRO	DROIT	RECHTS
SHORT	CORTO	COURT	KURZ
SPRING	MOLLA	RESSORT	FEDER
SPACER	DISTANZIALE	ENTRETOISE	DISTANZRINGE
SPOKE	RAGGIO	RAYON	SPEICHE
THREAD	FILETTO	FILETAGE	GEWINDE
TUBULAR	TUBOLARE	BOYAU	SCHLAUCHREIFEN

Avviso Importante su PRESTAZIONI, SICUREZZA E GARANZIA

I componenti delle trasmissioni 9s e 10s, gli impianti frenanti, e la maggior parte dei componenti Campagnolo®, sono progettati come un unico sistema integrato. Per non compromettere la SICUREZZA, le PRESTAZIONI, la LONGEVITA', la FUNZIONALITA' e per non invalidare la GARANZIA, vi raccomandiamo di utilizzare **esclusivamente** i componenti specificati dalla Campagnolo Srl, senza interfacciarli o sostituirli con prodotti fabbricati da altre aziende.

Important PERFORMANCE, SAFETY and WARRANTY Notice

The components of the 9s and 10s drivetrains, the braking systems, and most Campagnolo® components, are designed as a single integrated system. To avoid compromises in terms of SAFETY, PERFORMANCE, DURABILITY, FUNCTION, and to prevent voiding the WARRANTY, we recommend that you **only** use the components specified by Campagnolo Srl, without interfacing them with or substituting them with products manufactured by other companies.

Notice important sur PERFORMANCES, SECURITE ET GARANTIE

Les composants des transmissions 9s et 10s, les freins et la plus part des composants Campagnolo®, sont projetés come un seul système intégré. Pour ne pas compromettre la SECURITE, les PERFORMANCES, la LONGEVITE, la FONCTIONNALITE et pour ne pas invalider la GARANTIE, on vous recommande **de n'utiliser que** les composants spécifiés par Campagnolo Srl, sans les relier avec ou les remplacer par des produits fabriqués par d'autres sociétés.

Wichtiger Hinweis zu PRODUKTLEISTUNG, SICHERHEIT und GARANTIE

Die Komponenten der 9s und 10s Antriebssysteme, des Bremssystems, sowie Großteil der von Campagnolo® hergestellten Komponenten, wurden als Bestandteile eines integrierten Systems entwickelt. Um die SICHERHEIT, die LEISTUNG, die DAUER, die FUNKTIONSTÜCHTIGKEIT und die GARANTIE nicht zu beeinträchtigen, empfehlen wir den **ausschließlichen** Gebrauch der von Campagnolo Srl spezifizierten Bestandteile und diese nicht mit Produkten anderer Hersteller zu ersetzen oder zu kombinieren.

Avviso Importante sobre PRESTACIONES, SEGURIDAD Y GARANTÍA.

Los componentes de las transmisiones 9s y 10s, los sistemas de frenado, y la mayor parte de componentes Campagnolo®, han sido ideados como un único sistema integrado. Con el fin de no comprometer la SEGURIDAD, las PRESTACIONES, la LONGEVIDAD, la FUNCIONALIDAD y no invalidar la GARANTÍA, os aconsejamos utilizar **exclusivamente** los componentes especificados por Campagnolo Srl, sin combinarlos o sustituirlos con productos fabricados por otras empresas.

Campagnolo, Campy, Record, Chorus, EPS, CT, Centaur, Veloce, Mirage, Xenon, Hyperon, Neutron, Proton, Eurus, Zonda, Scirocco, Vento, Bora, Ghibli, Pista, Time Trial, Ergobrain, Superlative, Floating-Link-Action, HD-Link, HD-L, Exa-Drive, Ultra-Drive, Pro-Fit, Pro-Fit PLUS, Differential brakes, Threadless, Hiddenset, Hiddenset TTC, TTC, Ergopower, BB System, C10, C9, ED, UD, Ultra Narrow, HPW, G3, Grouped Spokes, DPRO, Dual Profile, Ultralinear-Geometry, Ultralinear, Differential rims, Differential spokes, Asymmetric, Ultra, Ultra Aero, Full Carbon, Multidirectional, Unidirectional, AC-H, AC-S, SC-S, Big, Miro, Pro-Shop, Tecnologia ed Emozione are Campagnolo S.r.l. Trademarks.

ITALY - Central Service Center

CAMPAGNOLO SRL HEADQUARTERS

Via della Chimica, 4 - 36100 VICENZA

Phone: +39-0444-225605

Fax: +39-0444-225606

E-mail: service@campagnolo.com

AUSTRALIA

CYCLING PROJECTS

Shop 1 - 86 King Street,

NSW 2193 Ashbury

Phone: +61-2-97992407

Fax: +61-2-97879940

AUSTRIA

CAMPAGNOLO DEUTSCHLAND GMBH

Alte Garten 60-62

51371 LEVERKUSEN - DEUTSCHLAND

Phone: +49-214-206953-20

Fax: +49-214-206953-15

BENELUX

I.C.C. - INTERNATIONAL CYCLE CONNECTION

Weststraat 42 - P.O. Box 73

4527 ZH AARDENBURG - Netherlands

Phone: +31-117-492820

Fax: +31-117-492835

CANADA

CYCLES MARINONI INC

1067, Levis - LACHENAIE - QUEBEC J6W 4L2

Phone: +1-450-4717133

Fax: +1-450-4719887

GREAT WESTERN BICYCLE CO. LTD.

233 West Broadway

VANCOUVER BC V5Y 1P5

Phone: +1-604-8722424

Fax: +1-604-87202226

CZECH REPUBLIC

KOLA SIRER

P.O. Box 107 - 26601 BEROUN 1

Phone: 00420-311-621355

Fax: 00420-311-625492

DENMARK

MARKER SCANDINAVIA

Industrivej 1D - DK-4000

Roskilde - DENMARK

Phone: +45-70228075

Fax: +45-46498088

FINLAND

MARKER SCANDINAVIA

Industrivej 1D - DK-4000

Roskilde - DENMARK

Phone: +45-70228075

Fax: +45-46498088

FRANCE

CAMPAGNOLO FRANCE EURL

ZA du Tissot - 42530 St Genest - Lerpt

Phone: +33-(0)477-556305

Fax: +33-(0)477-556345

GERMANY

CAMPAGNOLO DEUTSCHLAND GMBH

Alte Garten 60-62

51371 LEVERKUSEN - DEUTSCHLAND

Phone: +49-214-206953-20

Fax: +49-214-206953-15

GREECE

CYCLES FIDUSA - GIORGIO VOYATZIS & CO.

Th. Sofuli 97 - 85100 RHODOS

Phone: +30-241-021264

Fax: +30-241-021519

JAPAN

CAMPAGNOLO JAPAN LTD

65 Yoshida-cho, Naka-ku, Yokohama

231-0041 JAPAN

Phone: +81-45-264-2780

Fax: +81-45-241-8030

NEW ZEALAND

WH WORRALL CO. LTD.

43 Felix St./Penrose - P.O. Box 12481

AUCKLAND

Phone: +64-9-6360641

Fax: +64-9-6360631

NORWAY**MARKER SCANDINAVIA**

Industrivej 1D - DK-4000
 Roskilde - DENMARK
 Phone: +45-70228075
 Fax: +45-46498088

SLOVAC REPUBLIC**ZANZO S.R.O.**

02334, Kysucky Lieskovec 421
 82107 BRATISLAVA
 Tel. +421-245-523721
 Fax +421-245-249404

SOUTH AFRICA**CYCLING J&J (PTY) LTD.**

169 Meerlust Street
 Willow Glen - PRETORIA
 Tel. +27-012-8075570
 Fax +27-012-8074267

SPAIN**CAMPAGNOLO IBERICA S.L.**

Avda. de Los Huetos 46 Pab. 31
 01010 VITORIA
 Phone: +34-945-217195
 Fax: +34-945-217198

SWEDEN**MARKER SCANDINAVIA**

Industrivej 1D - DK-4000
 Roskilde - DENMARK
 Phone: +45-70228075
 Fax: +45-46498088

SWITZERLAND**PIERO ZURINO AG**

Flawilerstrasse 3a
 9500 WIL SG
 Phone: +41-71-9236001
 Fax: +41-71-9236353

U.G.D. SPORT DIFFUSION S.A.

La Taille - 2053 CERNIER
 Phone: +41-32-8536363
 Fax: +41-32-8536464

UNITED KINGDOM**ITALIAN CYCLE PRODUCTS LIMITED**

Unit 3, Napoleon Business Park
 Wheterby Road - DERBY - DE24 8HL
 Phone: +44-01332-371176
 Fax: +44-01332-371179

UNITED STATES**CAMPAGNOLO NORTH AMERICA INC.**

2105 Camino Vida Roble, Suite L
 CARLSBAD - CA 92011
 Phone: +1-760-9310106
 Fax: +1-760-9310991

UNITED STATES (continued)**OCHSNER INT. INC.**

246 E. Marquardt Drive
 WHEELING - IL 60090-6430
 Phone: +1-760-9310106
 Fax: +1-760-9310991

QUALITY BICYCLES PRODUCTS

6400 W. 105th Street
 BLOOMINGTON - MN 55438-2554
 Phone: +1-952-941-9391
 Fax: +1-952-941-9799

THE HAWLEY COMPANY, INC.

1181 South Lake Drive
 LEXINGTON - SC 29073-7744
 Tel. +1-803.359.3492 x 192
 Fax +1-803.359.1343