

2005

**Spare Parts and
Tools Catalogue**

Campagnolo[®]

SERIE STERZO • HEADSET • STEUERSATZ • JEU DE DIRECTION

Record™ - Record™ Threadless™ 1" - 1-1/8"	1
Record™ Hiddenset™ 1-1/8" - 1-1/8" TTC	2
Chorus™ - Chorus™ Threadless™	3
Chorus™ Hiddenset™ 1-1/8" - 1-1/8" TTC™ - Centaur™ Hiddenset™ 1-1/8"	4

REGGISSELLA • SEAT POST • SATTELSTÜTZE • TIGE DE SELLE

Record™ Carbon - Chorus™ Carbon - Centaur™	5
--	---

MOVIMENTO CENTRALE • BOTTOM BRACKET • INNENLAGER • JEU DE PEDALIER

Record™ - Chorus™ - Record™ Pista™	6
Centaur™ - AC-H™ - AC-H™ C-GREY™ - AC-S™	7

GUARNITURA • CRANKSET • KETTENRADGARNITUR • PEDALIER

Record™ 10s	8
Record™ Carbon 10s	9
Record™ Carbon 10s CT™	10
Record™ Triple 10s	11
Record™ Pista™	12
Chorus™ 10s	13
Chorus™ Carbon 10s	14
Chorus™ Carbon 10s CT™	15
Chorus™ Triple 10s	16
Centaur™ 10s - Centaur™ C-GREY™ 10s	17
Centaur™ Carbon 10s	18
Centaur™ Carbon 10s CT™	19
Centaur™ Triple 10s - Centaur™ Triple C-GREY™ 10s	20
Veloce™ 10s - Veloce™ 9s	21
Veloce™ Triple 10s - Veloce™ Triple 9s	22
Mirage™ Black 9s - Mirage™ 9s	23
Mirage™ Triple Black 9s - Mirage™ Triple 9s	24
Xenon™ 9s	25
Xenon™ Triple 9s	26
Time Trial chainrings	27

CAMBIO • REAR DERAILLEUR • SCHALTUNG • DERAILLEUR ARRIERE

Record™ 10s	28
Chorus™ 10s	29
Centaur™ 10s	30
Centaur™ C-GREY™ 10s	31
Veloce™ 10s - Veloce™ 9s	32
Mirage™ Black 9s	33
Xenon™ 9s	34

DERAGLIATORE • FRONT DERAILLEUR • UMWERFER • DERAILLEUR AVANT

Record™ 10s	35
Record™ CT™ 10s	36
Chorus™ 10s	37
Chorus™ CT™ 10s	38
Chorus™ CT™ 10s for FLAT-BAR	39
Chorus™ 10s for FLAT-BAR	40
Record™ Triple 10 - Chorus™ Triple 10s	41
Chorus™ Triple for FLAT-BAR 10s	42
Centaur™ 10s - Centaur™ C-GREY™ 10s	43
Centaur™ CT™ 10s - Centaur™ C-GREY™ CT™ 10s	44
Centaur™ CT™ 10s for FLAT-BAR - Centaur™ C-GREY™ CT™ 10s for FLAT-BAR	45
Centaur™ 10s for FLAT-BAR - Centaur™ C-GREY™ 10s for FLAT-BAR	46
Centaur™ Triple 10s - Centaur™ Triple C-GREY™ 10s	47
Centaur™ Triple 10s for FLAT-BAR - Centaur™ C-GREY™ Triple 10s for FLAT-BAR	48
Veloce™ 10s	49
Veloce™ 10s for FLAT-BAR	50
Veloce™ Triple 10s - Mirage™ Black 9s - Mirage™ Triple Black 9s	51
Veloce™ Triple 10s for FLAT-BAR	52
Mirage™ Triple Black 9s for FLAT-BAR	53
Xenon™ 9s - Xenon™ Triple 9s	54

ERGOPOWER™

Record™ 10s	55
Chorus™ 10s	56
Centaur™ 10s - Centaur™ C-GREY™ 10s	57
Veloce™ 10s - Veloce™ 9s	58
Mirage™ 9s	59
Xenon™ 9s	60
Ergopowers / rear derailleurs cross compatibility	61

ERGOPOWER FLAT-BAR™

Chorus™ FB 10s	63
Centaur™ FB 10s - Centaur™ C-GREY™ FB 10s	64
Veloce™ FB 10s	65
Mirage™ FB 9s	66

FRENI • BRAKES • BREMSSEN • FREINS

Record-D™ “black” - Record-D™ “silver”	67
Chorus-D™	68
Centaur™ - Centaur™ C-GREY™	69
Veloce™	70
Mirage™ Black	71
Xenon™	72

BAR-END

Time Trial Bar-End	73
--------------------------	----

COMANDI FRENO • BRAKE LEVERS • BREMSHEBEL • POIGNEES DE FREINS

Record™ Carbon	74
----------------------	----

BLOCCAGGI • QUICK RELEASES • SCHNELLSPANNER • BLOCAGES

Record™ - Bora™ - Eurus™ - Ghibli™ - Hyperon™ - Neutron™	75
Chorus™	75
Centaur™ - Proton™ - Zonda™	76
Veloce™ - Scirocco™ - Vento™	76

MOZZI • HUBS • NABEN • MOYEUX

Record™ / Chorus™ / Centaur™ / Centaur™ C-GREY™ front hub	77
Record™ / Chorus™ / Centaur™ / Centaur™ C-GREY™ rear hub	78
Veloce™ / Mirage™ front and rear hub	79
Record™ Pista™ front hub	80
Record™ Pista™ rear hub	81

GHIERE • LOCKRINGS • VERSCHLUSSRING • ECROUS

Complete range	82
----------------------	----

PIGNONI • SPROCKETS • RITZEL • CASSETTES

Record™ UD™ 10s	83
Record™ UD™ 10s Titanium	84
Chorus™ UD™ 10s	85
Centaur™ UD™ 10s	86
Veloce™ UD™ 10s	87
Veloce™ UD™ 9s (Mirage™ UD™ 9s compatible)	88

PEDALI • PEDALS • PEDALE • PEDALES

Record™ Pro-Fit PLUS	89
Chorus™ Pro-Fit PLUS	89
Centaur™ Pro-Fit PLUS	89
Other spares	90

CAVI E GUAINA • CABLES AND CASINGS • KABEL UND HÜLLEN • CABLES ET GAINES

Complete sets	92
Single parts	93

ERGOBRAIN™

Parts	94
-------------	----

VARI • VARIOUS • VERSCHIEDENES • DIVERSES

Ergopower™ blocks / 8s adapter kit for 9/10s / HD-Link™ / Chain lubricant / Wheel bag	96
Original spare parts	97

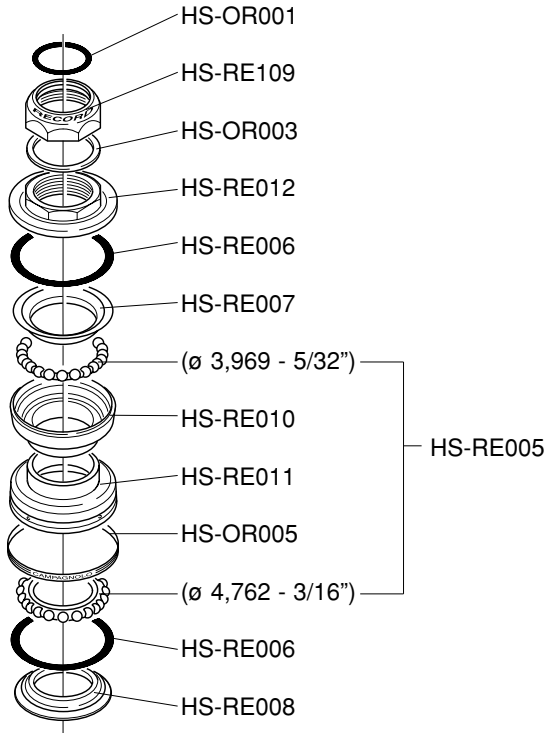
RUOTE • WHEELS • LAUFRÄDER • ROUES

LOW-PROFILE WHEEL - Hyperon™ clincher / Hyperon™ ULTRA™ clincher 9s / 10s	98
LOW-PROFILE WHEEL - Hyperon™ tubular 9s / 10s	99
LOW-PROFILE WHEEL - Neutron™ 9s / 10s	100
LOW-PROFILE WHEEL - Neutron™ Carbon 9s / 10s	101
LOW-PROFILE WHEEL - Proton™ 9s / 10s	102
MEDIUM-PROFILE WHEEL - Eurus™ 9s / 10s	103
MEDIUM-PROFILE WHEEL - Eurus™ Carbon 9s / 10s	104
MEDIUM-PROFILE WHEEL - Zonda™ 9s / 10s	105
MEDIUM-PROFILE WHEEL - Scirocco™ 9s / 10s	106
MEDIUM-PROFILE WHEEL - Vento™ 9s / 10s	107
HIGH-PROFILE WHEEL - Bora™ “full carbon” 9s / 10s	108
HIGH-PROFILE WHEEL - Pista™	109
Bora™ “full carbon” / Hyperon™ tubular / Hyperon™ ULTRA™ / Neutron™ Carbon / Eurus™ Carbon clincher front hub	110
Bora™ “full carbon” / Hyperon™ tubular / Hyperon™ ULTRA™ / Neutron™ Carbon / Eurus™ Carbon clincher rear hub	111
Hyperon™ clincher / Neutron™ / Eurus™ / Zonda™ front hub	112
Hyperon™ clincher / Neutron™ / Eurus™ / Zonda™ rear hub	113
Proton™ front hub	114
Proton™ rear hub	115
Scirocco™ front and rear hub	116
Pista™ front hub	117
Pista™ rear hub	118
Vento™ front and rear hub	119

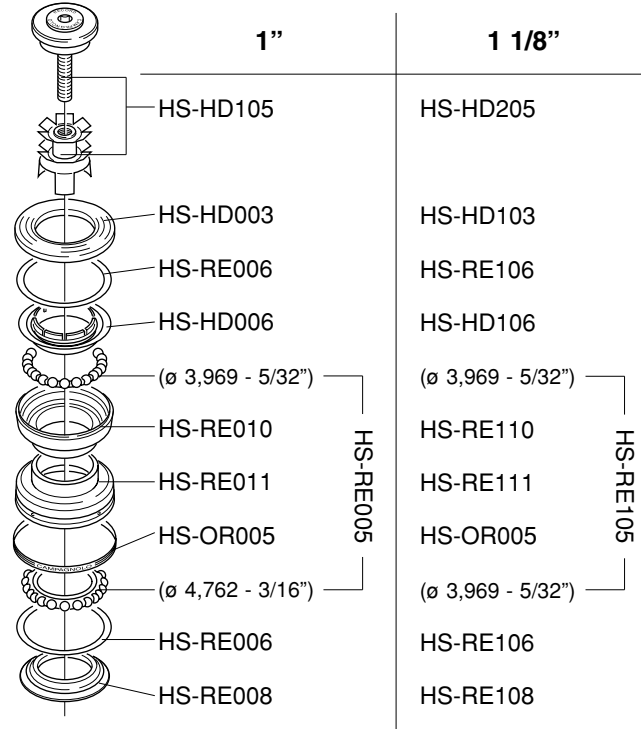
UTENSILI • TOOLS • WERKZEUGE • OUTILS

Recommended tools	120
Headset	121
Bottom bracket	127
Frame preparation	132
Cranks / chainrings	134
Hubs & wheels	136
Sprockets / chains	139
Service Centers	140

RECORD™
HS00-RE

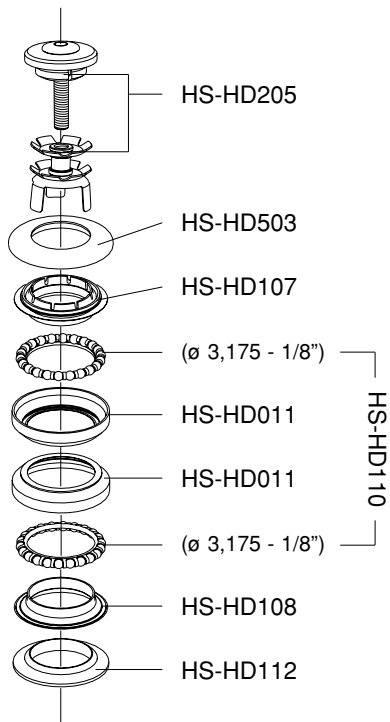


RECORD™ Threadless™
1": HS00-RETH
1 1/8": HS00-RETHOS



RECORD™ Hiddenset™

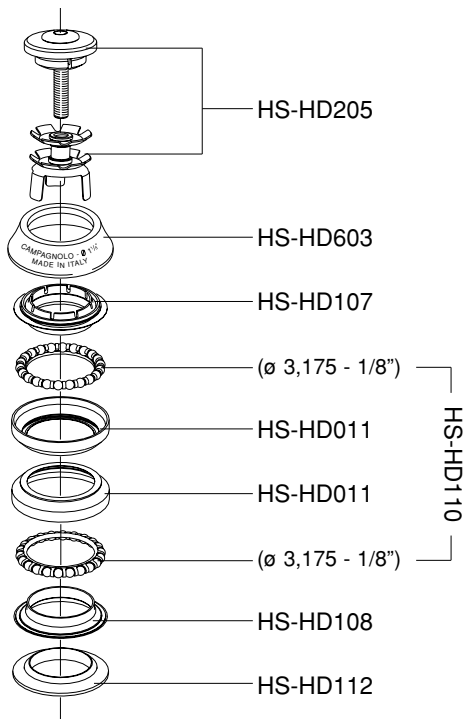
1 1/8": HS03-REHIOS



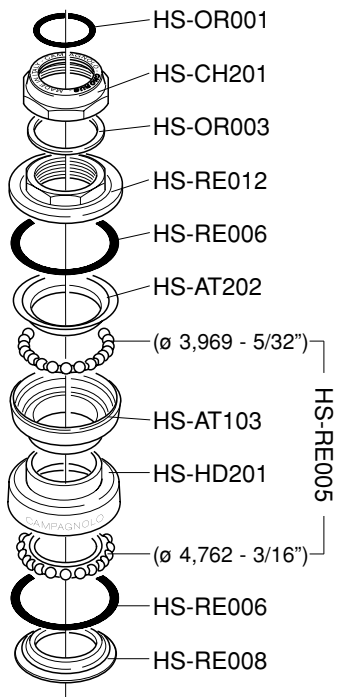
RECORD™ Hiddenset™

TTC™

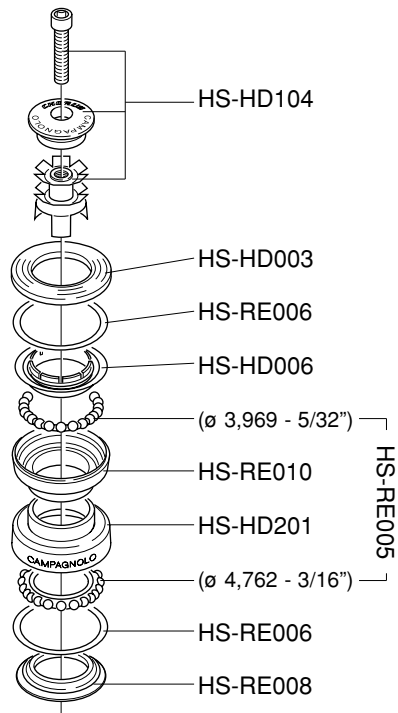
1 1/8": HS03-REHIOST



CHORUS™
HS00-CH



CHORUS™
THREADLESS™
HS00-CHTH



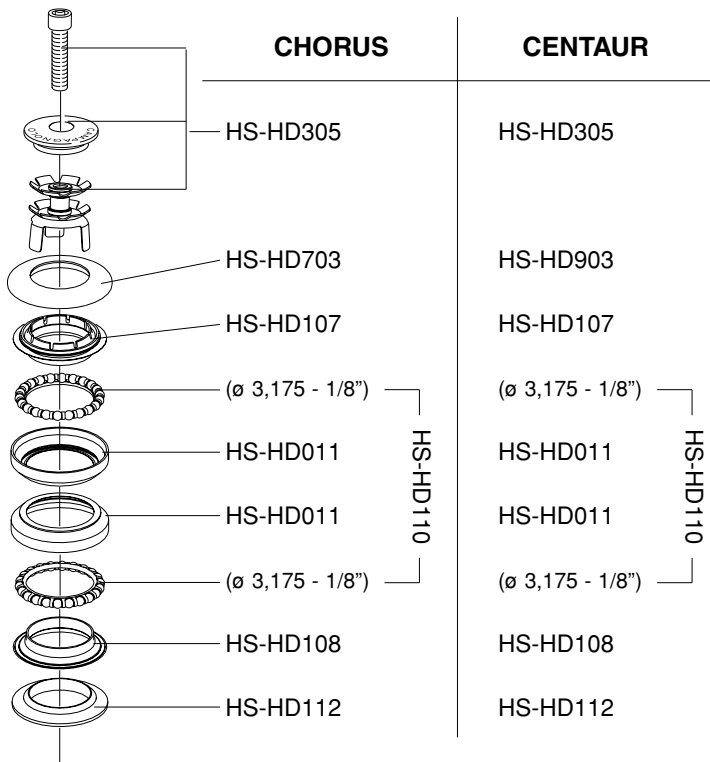
HEADSET

CHORUS™ Hiddenset™

1 1/8": HS03-CHHIOS

CENTAUR™ Hiddenset™

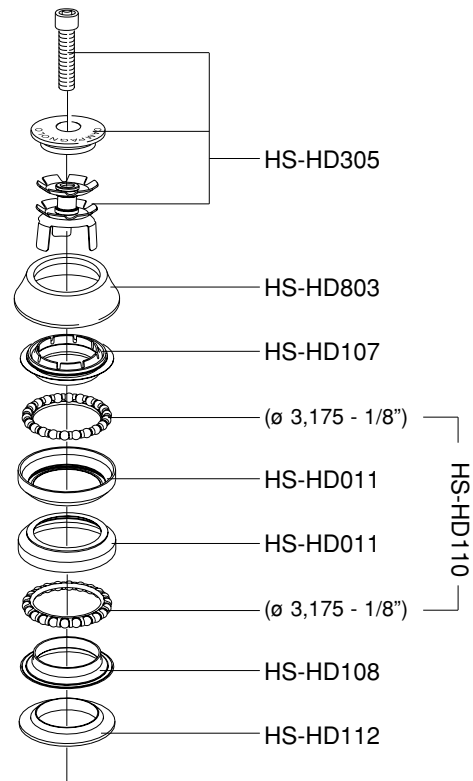
1 1/8": HS4-CEH8



CHORUS™ Hiddenset™

TTC™

1 1/8": HS03-CHHIOST



RECORD™

Carbon

SP4-RE27C
SP4-RE31CL
SP4-RE32CL

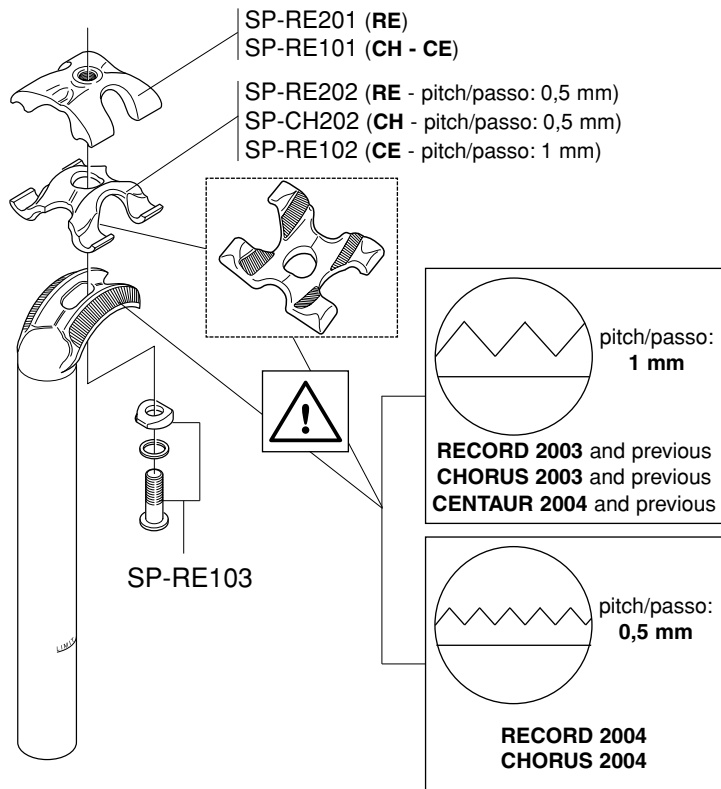
CHORUS™

Carbon

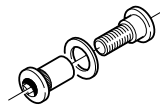
SP4-CH27C
SP4-CH31CL
SP4-CH32CL

CENTAUR™

SP4-CE27



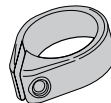
5-SP-RE104 (5 pcs.)
50-SP-RE104 (50 pcs.)



SP-RE106 (1 pc.)
5-SP-RE106 (5 pcs.)
per tubi Ø 31,6 / 31,9 mm
for tubes Ø 31,6 / 31,9 mm

SP-RE108 (1 pc.)
5-SP-RE108 (5 pcs.)
per tubi Ø 34,9 / 35,2 mm
for tubes Ø 34,9 / 35,2 mm

SP-RE107 (1 pc.)
5-SP-RE107 (5 pcs.)
per tubi Ø 35,5 / 35,8 mm
for tubes Ø 35,5 / 35,8 mm



WARNING!

With the 2004 product range the pitch of all the heads (5 - Fig. 1) on the RECORD™ and CHORUS™ seat post tubes and the relevant seat clamps (1 - Fig. 1) has been reduced from 1 mm to 0.5 mm. A seat clamp (1 - Fig. 1) with 0.5 mm pitch is not compatible with heads (5 - Fig. 1) with a 1-mm pitch and vice versa. NEVER use seat clamps and heads that are not compatible with one another; the seat clamp could slip causing you to lose control of your bicycle, resulting in an accident, personal injury or death.



ATTENZIONE!

A partire dalla gamma 2004 è stato dimezzato il passo (da 1 mm a 0,5 mm) di tutte le teste (5 - Fig. 1) e delle relative staffe inferiori (1 - Fig. 1) dei reggisella RECORD™ e CHORUS™. Una staffa (1 - Fig. 1) con passo da 0,5 mm non è compatibile con le teste (5 - Fig. 1) con passo da 1 mm e viceversa. Non utilizzate MAI staffe e teste non compatibili tra loro; la staffa potrebbe slittare e potreste incorrere in incidenti, lesioni fisiche o morte.

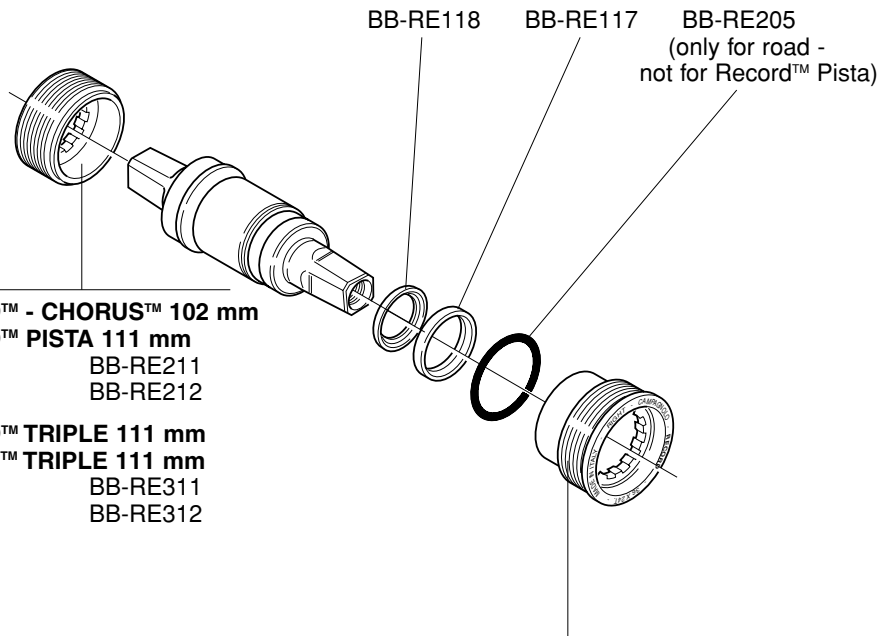
RECORD™ 102 mm
BB99-RE02IT
BB99-RE02BC

RECORD™ TRIPLE
111 mm
asymmetrical
BB02-RE11IT
BB02-RE11BC

CHORUS™ TRIPLE
111 mm
asymmetrical
BB03-CH11IT
BB03-CH11BC

CHORUS™ 102 mm
BB99-CH02IT
BB99-CH02BC

RECORD™ PISTA
111 mm
BB01-REPIIT
BB01-REPIBC



RECORD™ - CHORUS™ 102 mm
RECORD™ PISTA 111 mm
Italian: BB-RE211
English: BB-RE212

RECORD™ TRIPLE 111 mm
CHORUS™ TRIPLE 111 mm
Italian: BB-RE311
English: BB-RE312

RECORD™ 102 mm / RECORD™ PISTA 111 mm
Italian: BB-RE213
English: BB-RE214

RECORD™ TRIPLE 111 mm
Italian: BB-RE313
English: BB-RE314

CHORUS™ TRIPLE 111 mm
Italian: BB-CH313
English: BB-CH314

CHORUS™ 102 mm
Italian: BB-CH213
English: BB-CH214

AC-H™

111 mm
BB00-AH11IT
BB00-AH11BC

115,5 mm
BB00-AH15IT
BB00-AH15BC

AC-H™ C-GREY

111 mm
BB4-AHG1I
BB4-AHG1G

115,5 mm
BB4-AHG5I
BB4-AHG5G

AC-S™

111 mm
BB00-AS11IT
BB00-AS11BC

115,5 mm
BB4-AS5I
BB4-AS5G

CENTAUR

111 mm
BB5-CE1I
BB5-CE1G

ITALIAN:

BB-AH001 (AC-H™, AC-S™)
BB-AHG001 (AC-H™ CENTURY GREY™)
BB-CE001 (CENTAUR)

ENGLISH:

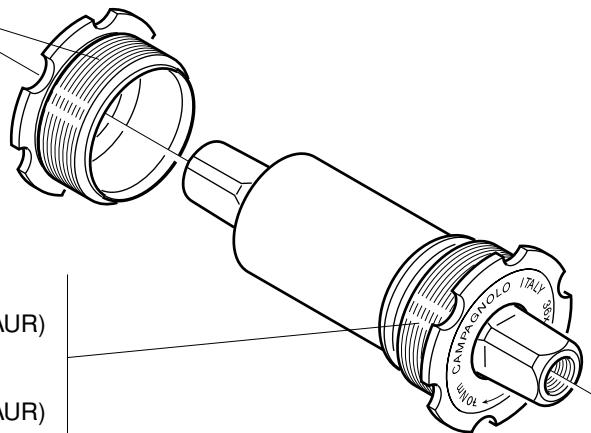
BB-AH003 (AC-H™, AC-S™)
BB-AHG003 (AC-H™ CENTURY GREY™)
BB-CE003 (CENTAUR)

ITALIAN:

BB-CE002 (CENTAUR)

ENGLISH:

BB-CE004 (CENTAUR)



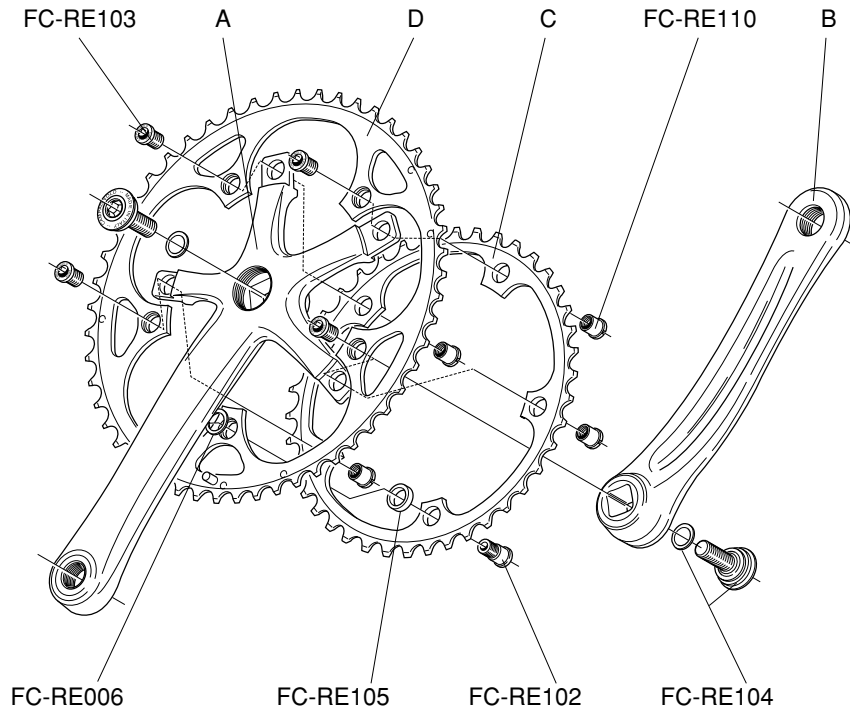
RECORD™ 10s **FC4-RE...X**

A	170 mm	FC-RE960
	172,5 mm	FC-RE962
	175 mm	FC-RE964
	177,5 mm	FC-RE966
	180 mm	FC-RE968

B	170 mm	FC-RE961
	172,5 mm	FC-RE963
	175 mm	FC-RE965
	177,5 mm	FC-RE967
	180 mm	FC-RE969

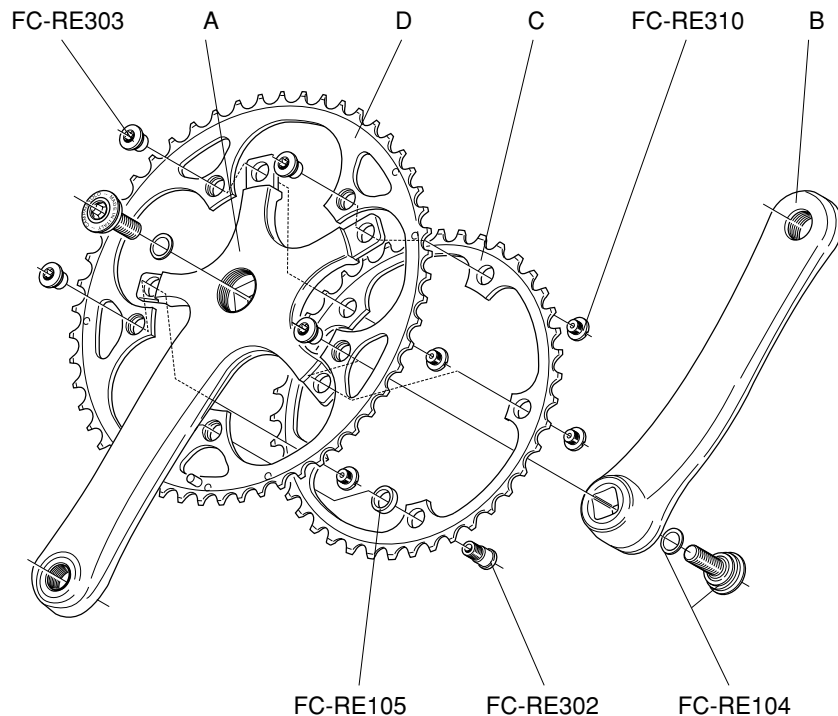
C	Z39	FC-RE139
	Z42	FC-RE342

D	Z52 for 39	FC-RE752
	Z52 for 42	FC-RE852
	Z53 for 39	FC-RE553



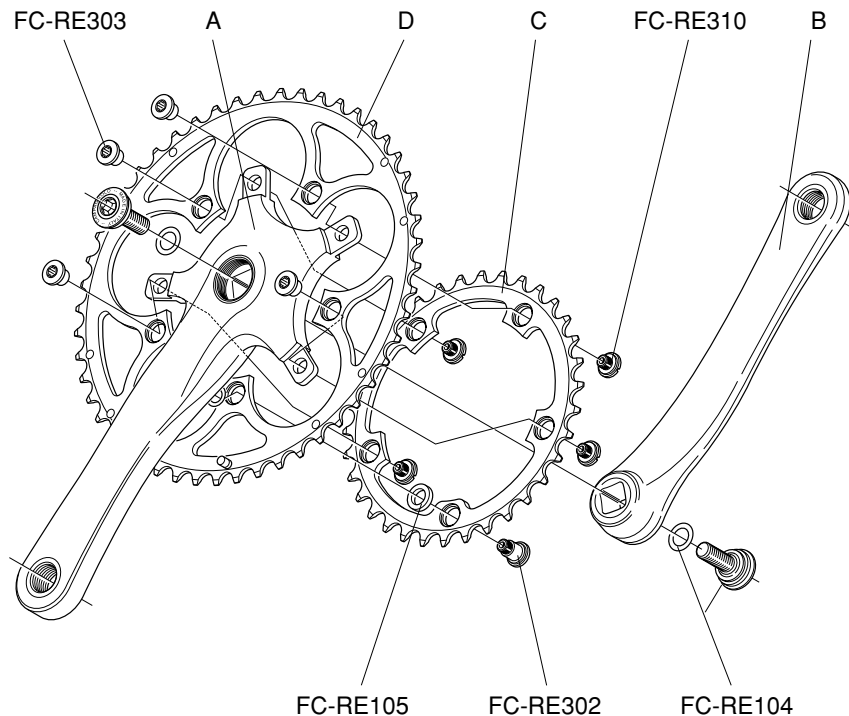
RECORD™
Carbon 10s
FC4-RE...C

A	170 mm	FC-RE860C
	172,5 mm	FC-RE862C
	175 mm	FC-RE864C
B	170 mm	FC-RE861C
	172,5 mm	FC-RE863C
	175 mm	FC-RE865C
C	Z39	FC-RE139
	Z42	FC-RE342
D	Z52 for 39	FC-RE752
	Z52 for 42	FC-RE852
	Z53 for 39	FC-RE553



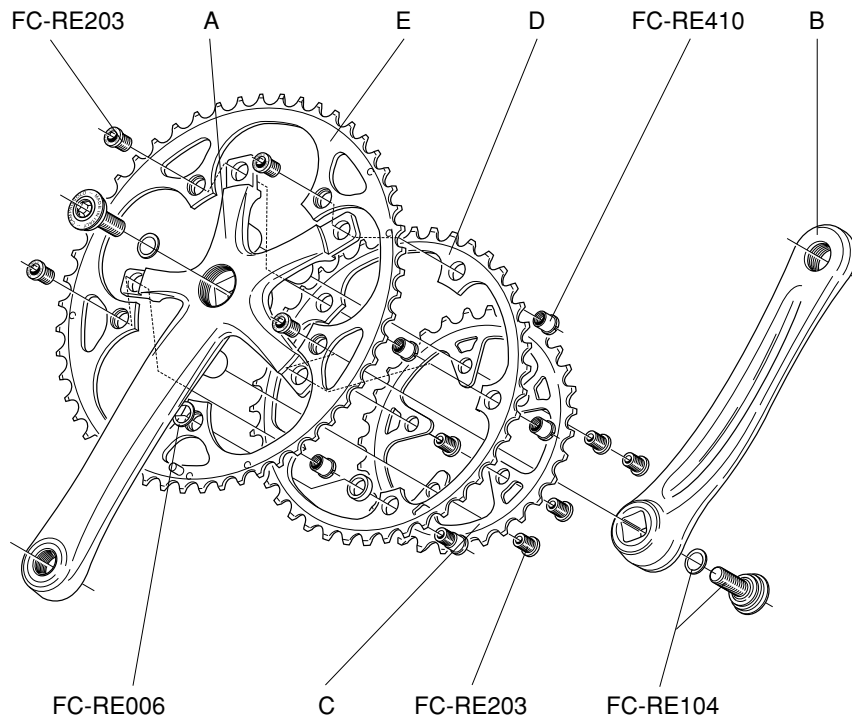
RECORD™
Carbon 10s CT™
FC5-RE...C

A	170 mm	FC-RE930C
	172,5 mm	FC-RE932C
	175 mm	FC-RE934C
B	170 mm	FC-RE861C
	172,5 mm	FC-RE863C
	175 mm	FC-RE865C
C	Z34	FC-RE034
	Z36	FC-RE036
D	Z48 for 34	FC-RE048
	Z50 for 34	FC-RE250
	Z50 for 36	FC-RE350



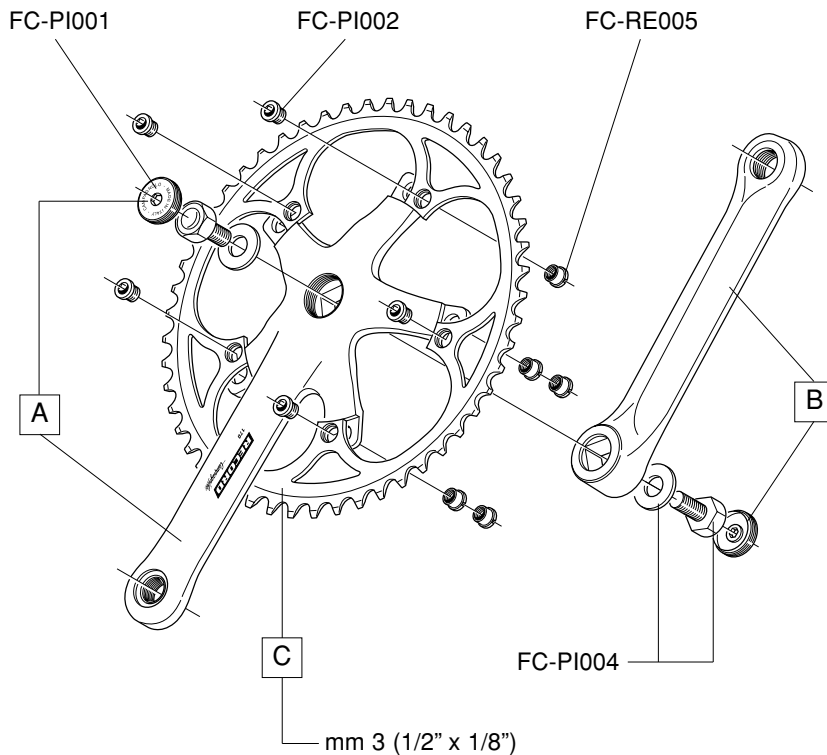
RECORD™
TRIPLE 10s
FC4-RE....X

A	170 mm	FC-RE970
	172,5 mm	FC-RE972
	175 mm	FC-RE974
B	170 mm	FC-RE971
	172,5 mm	FC-RE973
	175 mm	FC-RE975
C	Z30	FC-RE130
D	Z40 for 30	FC-RE140
	Z42 for 30	FC-RE642
E	Z50 for 40	FC-RE150
	Z53 for 42	FC-RE653



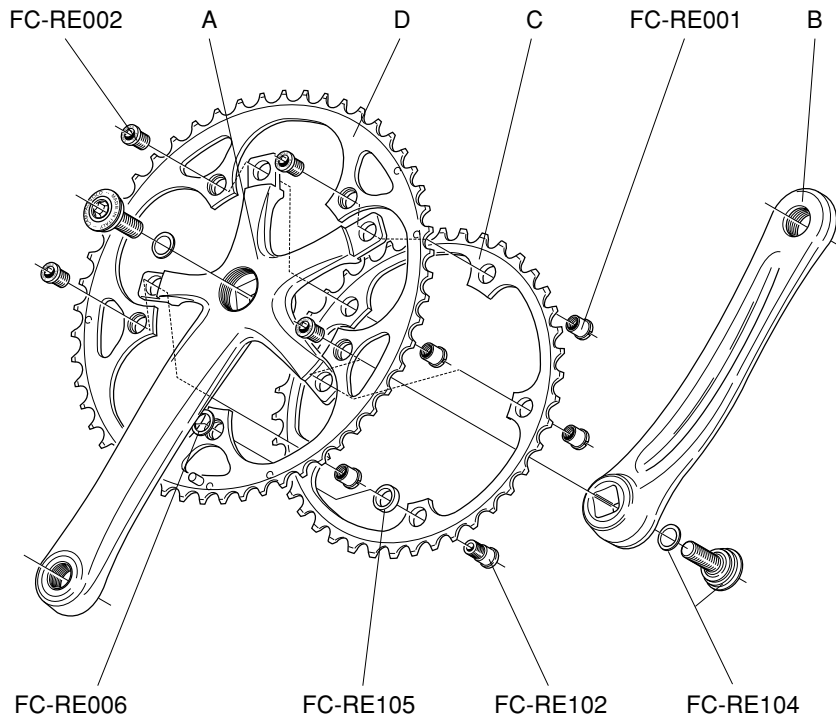
RECORD™
PISTA
FC01-REPL...

A	165 mm	FC-PI365
	170 mm	FC-PI370
B	165 mm	FC-PI465
	170 mm	FC-PI470
C	Z47	FC-PI047
	Z48	FC-PI048
	Z49	FC-PI049
	Z50	FC-PI050
	Z51	FC-PI051
	Z52	FC-PI052



CHORUS™ 10s
FC4-CH...X

A	170 mm	FC-CH020
	172,5 mm	FC-CH022
	175 mm	FC-CH024
B	170 mm	FC-CH021
	172,5 mm	FC-CH023
	175 mm	FC-CH025
C	Z39	FC-RE039
	Z42	FC-RE142
D	Z52 for 39	FC-RE652
	Z52 for 42	FC-RE552
	Z53 for 39	FC-RE453



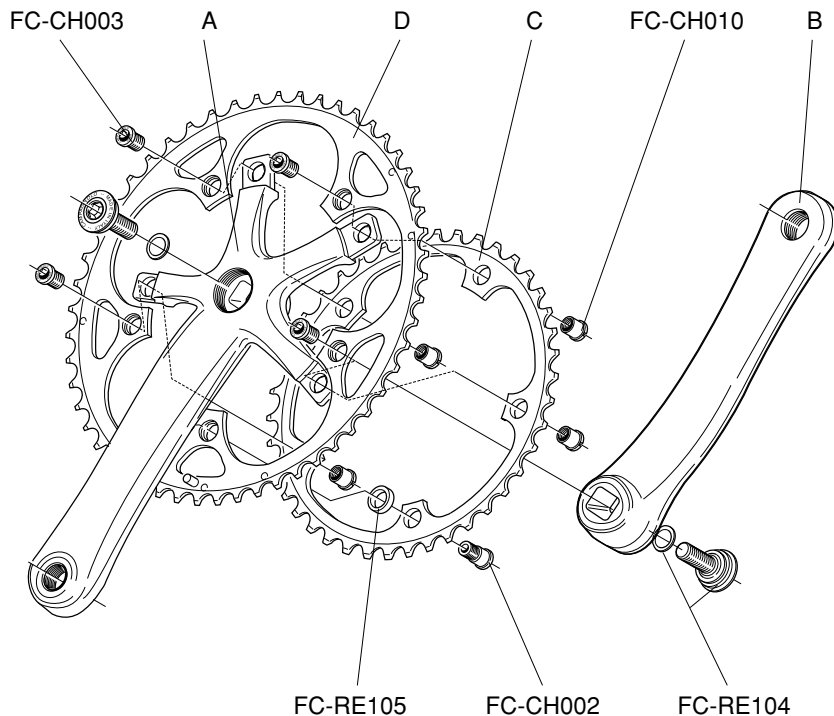
CHORUS™
Carbon 10s
FC4-CH...C

A	170 mm	FC-CH870C
	172,5 mm	FC-CH872C
	175 mm	FC-CH874C

B	170 mm	FC-CH871C
	172,5 mm	FC-CH873C
	175 mm	FC-CH875C

C	Z39	FC-RE039
	Z42	FC-RE142

D	Z52 for 39	FC-RE652
	Z52 for 42	FC-RE552
	Z53 for 39	FC-RE453



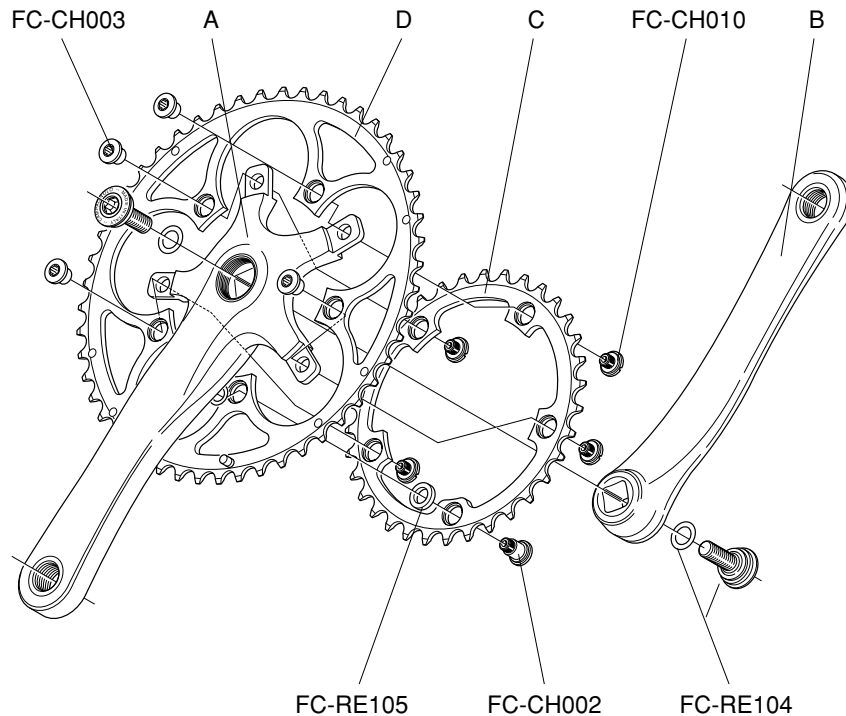
CHORUS™
Carbon 10s CT
FC5-CH...C

A	170 mm	FC-CH940C
	172,5 mm	FC-CH942C
	175 mm	FC-CH944C

B	170 mm	FC-CH871C
	172,5 mm	FC-CH873C
	175 mm	FC-CH875C

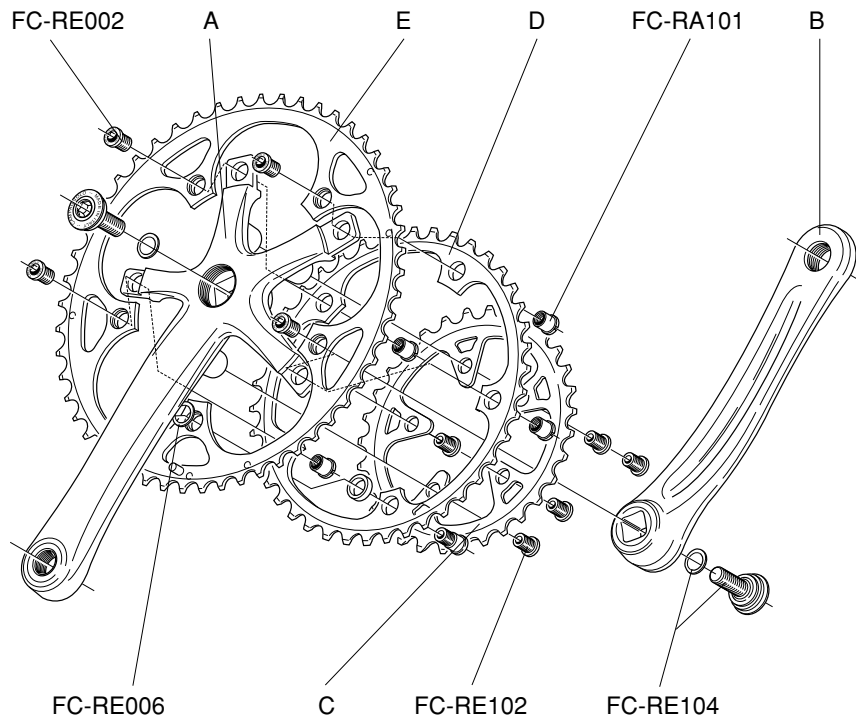
C	Z34	FC-CH134
	Z36	FC-CH036

D	Z48 for 34	FC-CH048
	Z50 for 34	FC-CH050
	Z50 for 36	FC-CH150



CHORUS™
TRIPLE 10s
FC4-CH....X

A	170 mm	FC-CH030
	172,5 mm	FC-CH032
	175 mm	FC-CH034
B	170 mm	FC-CH031
	172,5 mm	FC-CH033
	175 mm	FC-CH035
C	Z30	FC-RE030
D	Z40 for 30	FC-RE040
	Z42 for 30	FC-RE442
E	Z50 for 40	FC-RE050
	Z53 for 42	FC-RE053



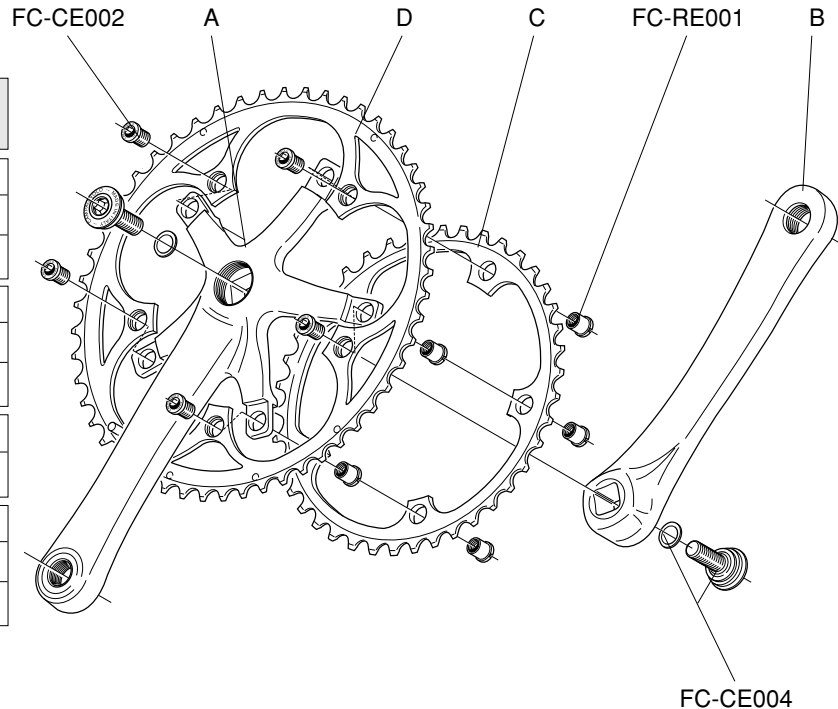
CENTAUR™ 10s

FC4-CE...X

CENTAUR™ CENTURY GREY™ 10s

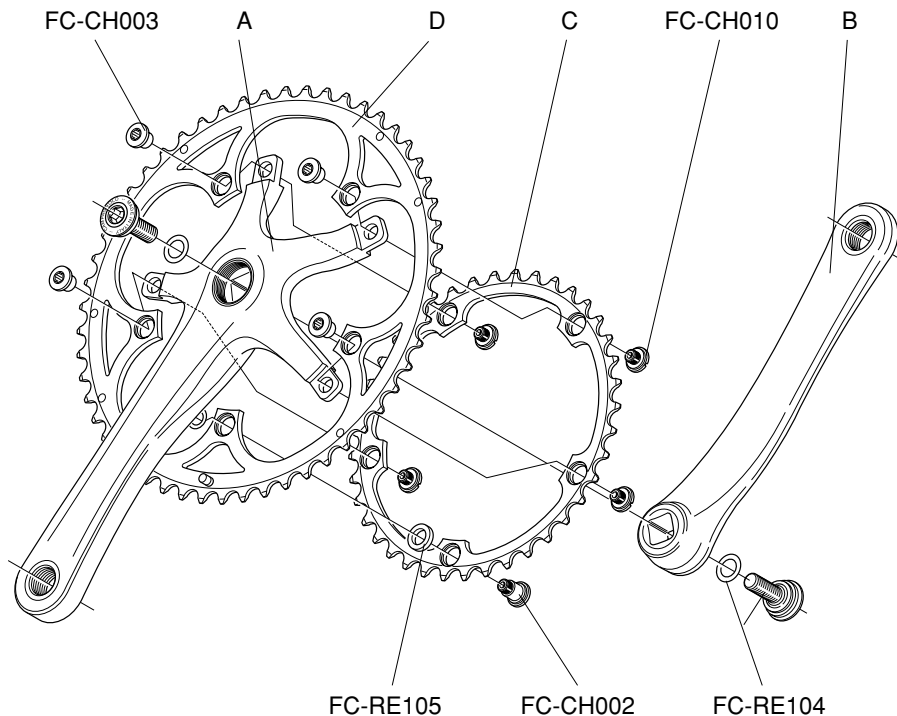
FC4-CEG...X

		CENTAUR™	CENTAUR™ C-GREY
A	170 mm	FC-CE920	FC-CEG910
	172,5 mm	FC-CE922	FC-CEG912
	175 mm	FC-CE924	FC-CEG914
B	170 mm	FC-CE921	FC-CEG911
	172,5 mm	FC-CE923	FC-CEG913
	175 mm	FC-CE925	FC-CEG915
C	Z39	FC-RE039	FC-CEG039
	Z42	FC-RE142	FC-CEG042
D	Z52 for 39	FC-CH252	FC-CEG052
	Z52 for 42	FC-CH452	FC-CEG152
	Z53 for 39	FC-CH253	FC-CEG053



CENTAUR™
Carbon 10s
FC5-CE...C

A	170 mm	FC-CE992C
	172,5 mm	FC-CE994C
	175 mm	FC-CE996C
B	170 mm	FC-CE993C
	172,5 mm	FC-CE995C
	175 mm	FC-CE997C
C	Z39	FC-RE039
	Z42	FC-RE142
D	Z52 for 39	FC-RE652
	Z52 for 42	FC-RE552
	Z53 for 39	FC-RE453



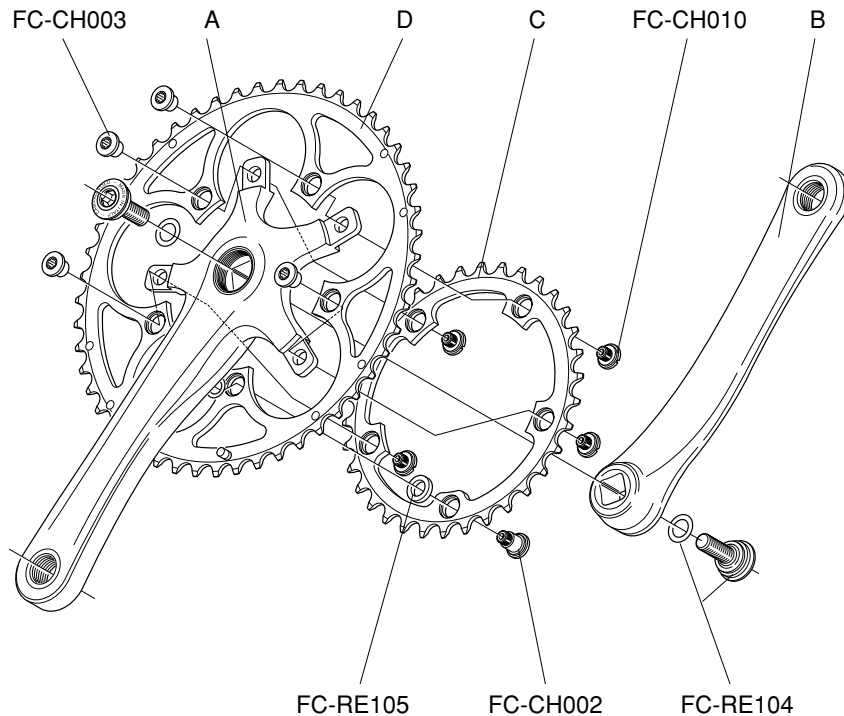
CENTAUR™
Carbon 10s CT
FC5-CE...C

A	170 mm	FC-CE040C
	172,5 mm	FC-CE042C
	175 mm	FC-CE044C

B	170 mm	FC-CE993C
	172,5 mm	FC-CE995C
	175 mm	FC-CE997C

C	Z34	FC-CH134
	Z36	FC-CH036

D	Z48 for 34	FC-CH048
	Z50 for 34	FC-CH050
	Z50 for 36	FC-CH150



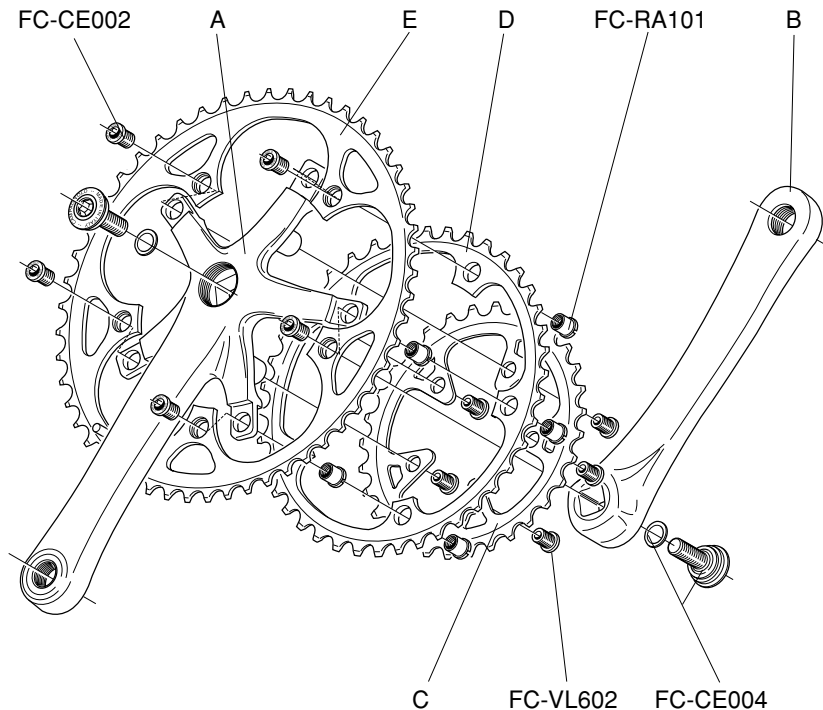
CENTAUR™ TRIPLE 10s

FC4-CE....X

CENTAUR™ TRIPLE CENTURY GREY™ 10s

FC4-CEG....X

		CENTAUR™	CENTAUR™ C-GREY
A	170 mm	FC-CE950	FC-CEG916
	175 mm	FC-CE952	FC-CEG918
B	170 mm	FC-CE951	FC-CEG917
	175 mm	FC-CE953	FC-CEG919
C	Z30	FC-RE030	FC-CEG030
D	Z40 for 30	FC-CE040	FC-CEG040
	Z42 for 30	FC-CE042	FC-CEG142
E	Z50 for 40	FC-CE050	FC-CEG050
	Z53 for 42	FC-CE053	FC-CEG153

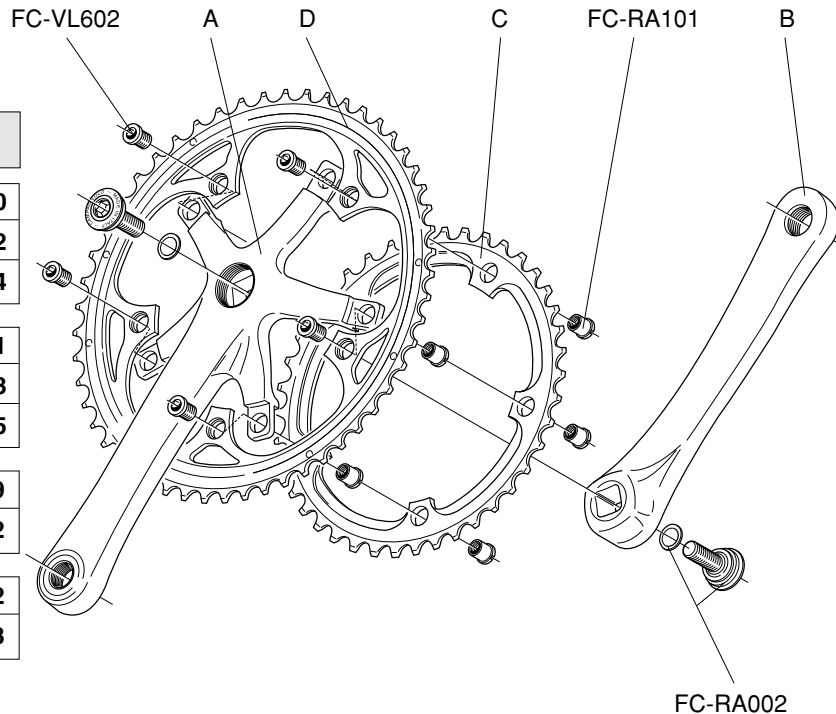


VELOCE™ 10s

FC4-VL...X

VELOCE™ 9s

FC01-VL...



		10s	9s
A	170 mm	FC-VL852	FC-VL790
	172,5 mm	FC-VL854	FC-VL792
	175 mm	FC-VL856	FC-VL794
B	170 mm	FC-VL853	FC-VL791
	172,5 mm	FC-VL855	FC-VL793
	175 mm	FC-VL857	FC-VL795
C	Z39	FC-VL039	FC-MI039
	Z42	FC-VL242	FC-MI042
D	Z52 for 42	FC-VL252	FC-MI352
	Z53 for 39	FC-VL053	FC-MI153

CRANKSET

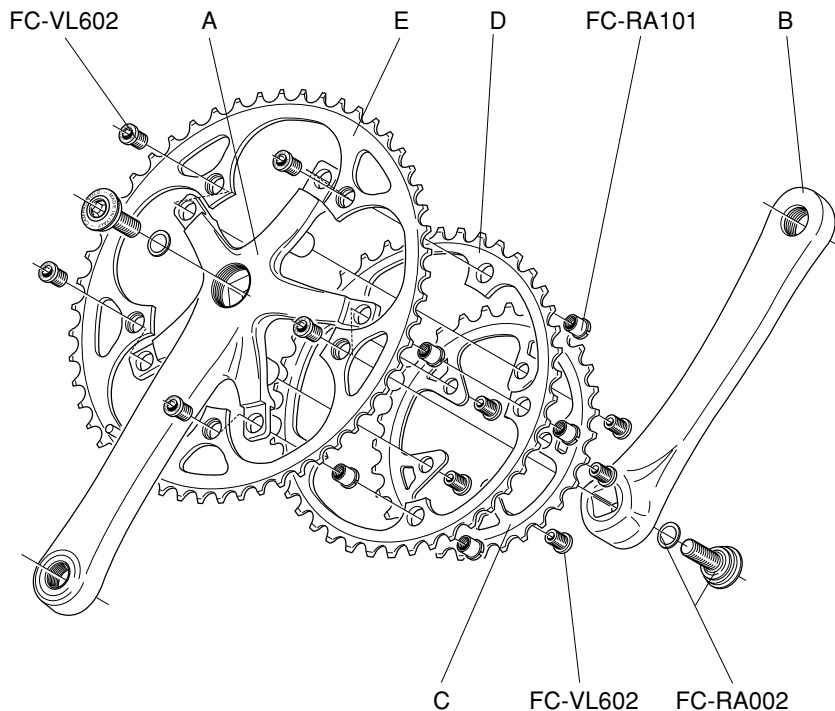
VELOCE™ TRIPLE 10s

FC4-VL....X

VELOCE™ TRIPLE 9s

FC01-VL....

		10s	9s
A	170 mm	FC-VL880	FC-VL796
	175 mm	FC-VL882	FC-VL798
B	170 mm	FC-VL881	FC-VL797
	175 mm	FC-VL883	FC-VL799
C	Z30	FC-VL030	FC-MI730
D	Z42 for 30	FC-VL342	FC-VL142
E	Z52 for 42	FC-VL252	FC-MI352



MIRAGE™ BLACK 95

FC4-MIB...

MIRAGE™ 95

FC4-MI...

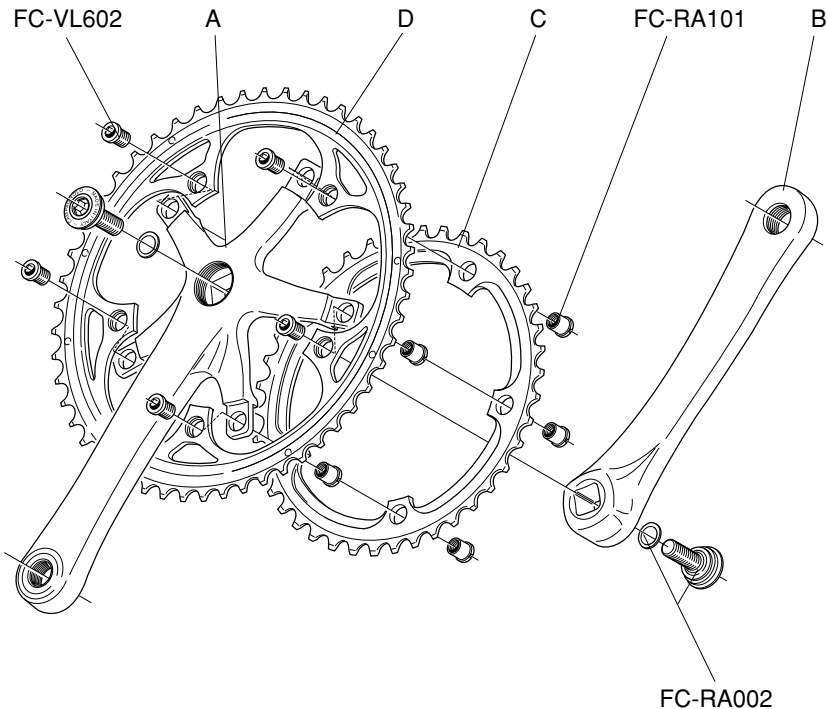
	MIRAGE™ BLACK	MIRAGE™
--	------------------	---------

A	170 mm	FC-MIB894	FC-MI102
	172,5 mm	FC-MIB896	FC-MI104
	175 mm	FC-MIB898	FC-MI106

B	170 mm	FC-MIB895	FC-MI103
	172,5 mm	FC-MIB897	FC-MI105
	175 mm	FC-MIB899	FC-MI107

C	Z39	FC-MIB039
	Z42	FC-MIB042

D	Z52 for 42	FC-MIB052
	Z53 for 39	FC-MIB053



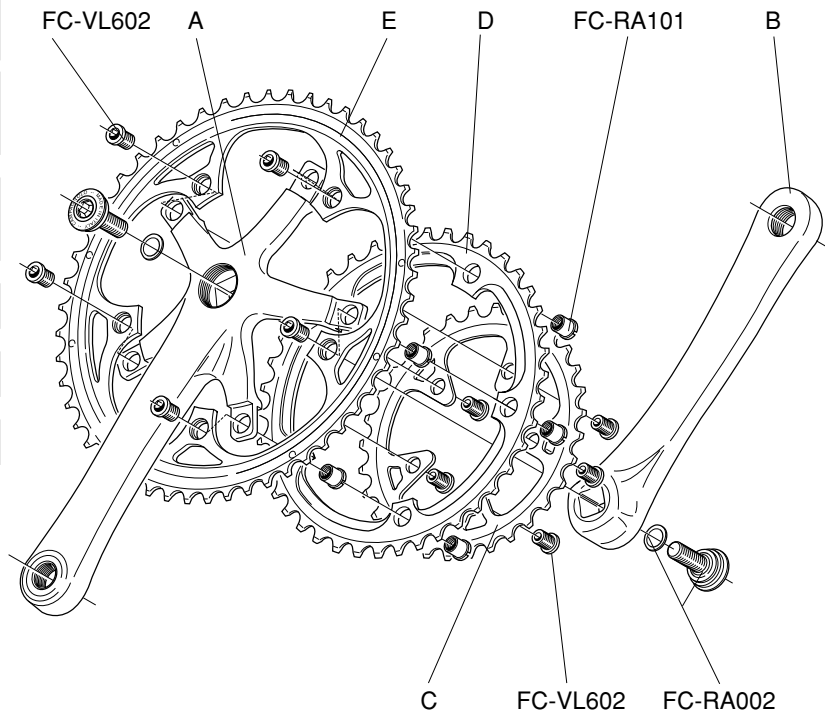
MIRAGE™ TRIPLE BLACK 95

FC4-MIB....

MIRAGE™ TRIPLE 9s

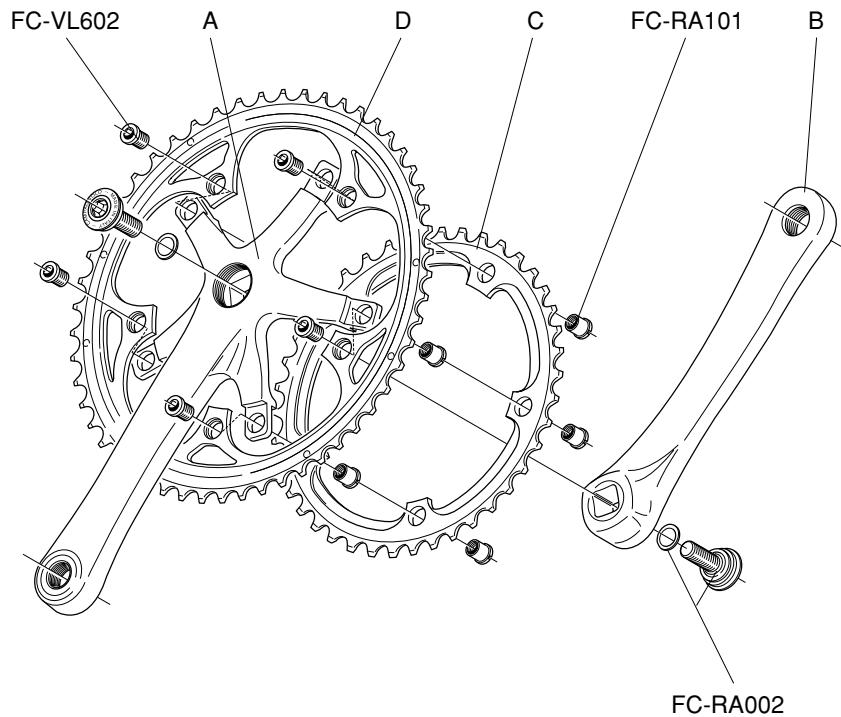
FC4-MI....

		MIRAGE™ BLACK	MIRAGE™
A	170 mm	FC-MIB900	FC-MI112
	175 mm	FC-MIB902	FC-MI114
B	170 mm	FC-MIB901	FC-MI113
	175 mm	FC-MIB903	FC-MI115
C	Z30	FC-MIB030	
D	Z42 for 30	FC-MIB142	
E	Z52 for 42	FC-MIB052	



XENON™ 9s
FC02-XE...

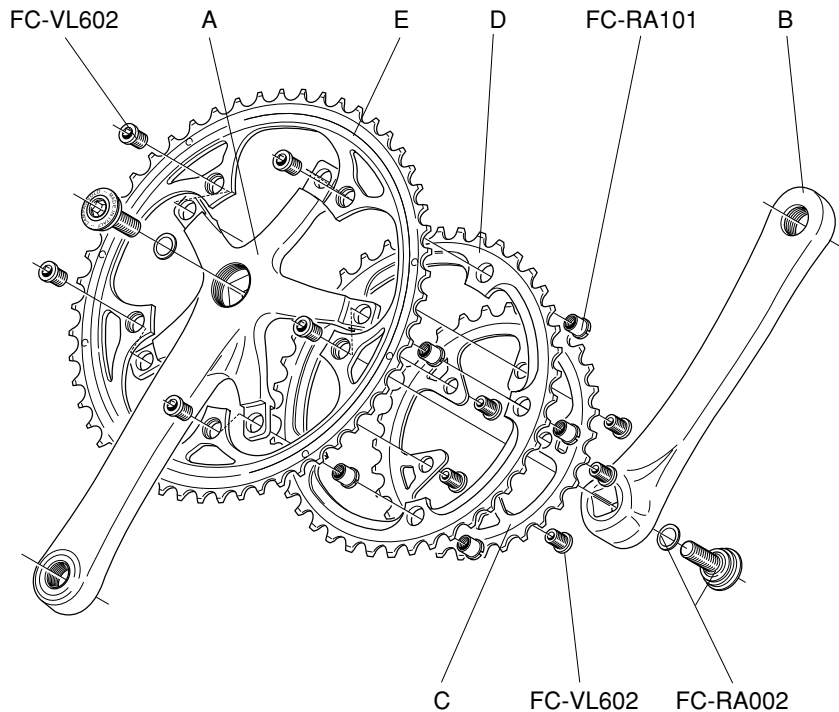
A	170 mm	FC-XE800
	175 mm	FC-XE804
B	170 mm	FC-XE801
	175 mm	FC-XE805
C	Z39	FC-MI139
D	Z52 for 39	FC-XE052



CRANKSET

XENON™
TRIPLE 9s
FC02-XE....

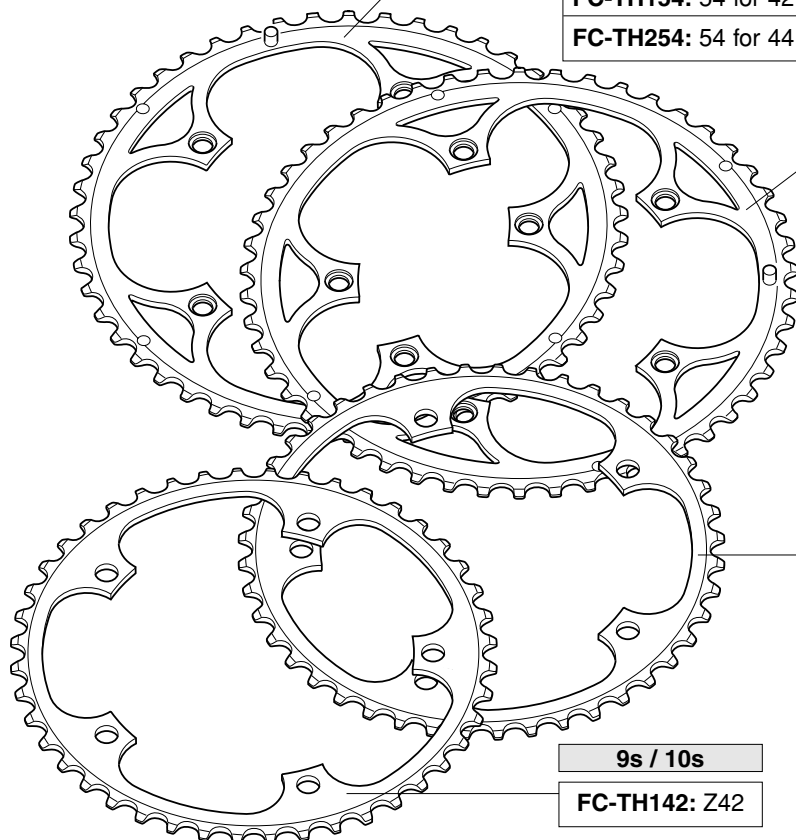
A	170 mm	FC-XE806
	175 mm	FC-XE808
B	170 mm	FC-XE807
	175 mm	FC-XE809
C	Z30	FC-MI030
D	Z42 for 30	FC-XE142
E	Z52 for 42	FC-XE252



TIME TRIAL CHAINRINGS

9s	RECORD™ 10s	CHORUS™ 10s
FC-TH155: 55 for 42	FC-RETH155: 55 for 42	FC-CHTH155: 55 for 42
FC-TH255: 55 for 44	FC-RETH255: 55 for 44	FC-CHTH255: 55 for 44

9s	RECORD™ 10s	CHORUS™ 10s
FC-TH154: 54 for 42	FC-RETH154: 54 for 42	FC-CHTH154: 54 for 42
FC-TH254: 54 for 44	FC-RETH254: 54 for 44	FC-CHTH254: 54 for 44

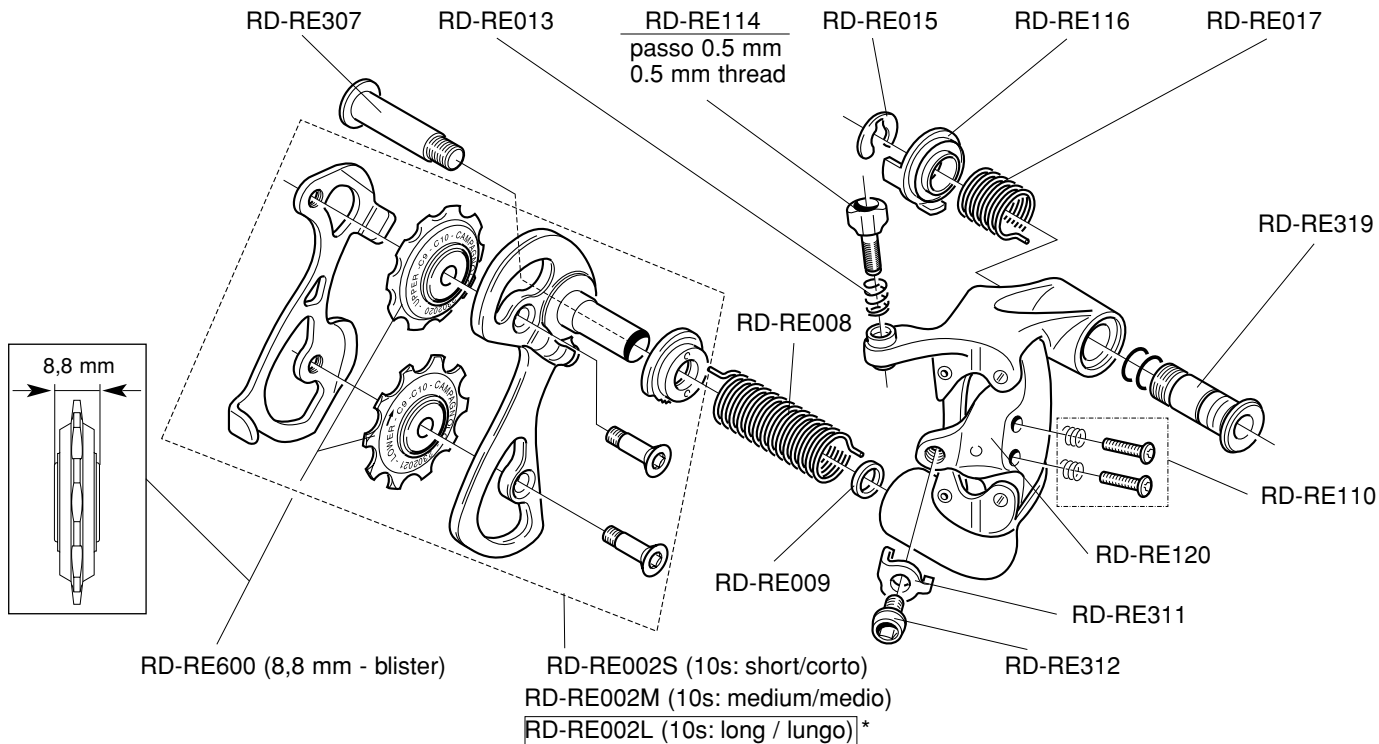


9s / 10s
FC-TH144: Z44

9s / 10s
FC-TH142: Z42

RECORD™ 10s

**RD4-REXS
RD4-REXM
RD4-REXL**

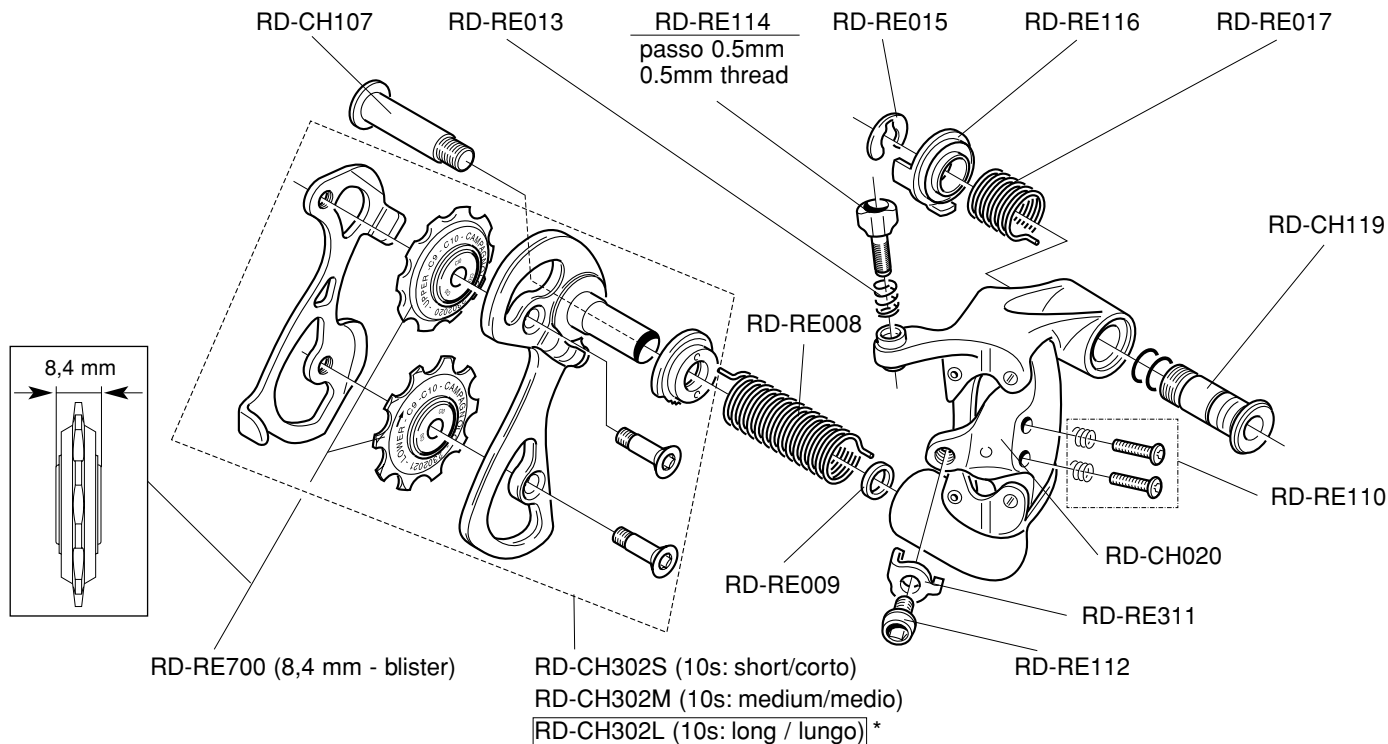


* solo per RD4-REXL - non compatibile con RD4-REXS e RD4-REXM

* only for RD4-REXL - not compatible with RD4-REXS and RD4-REXM

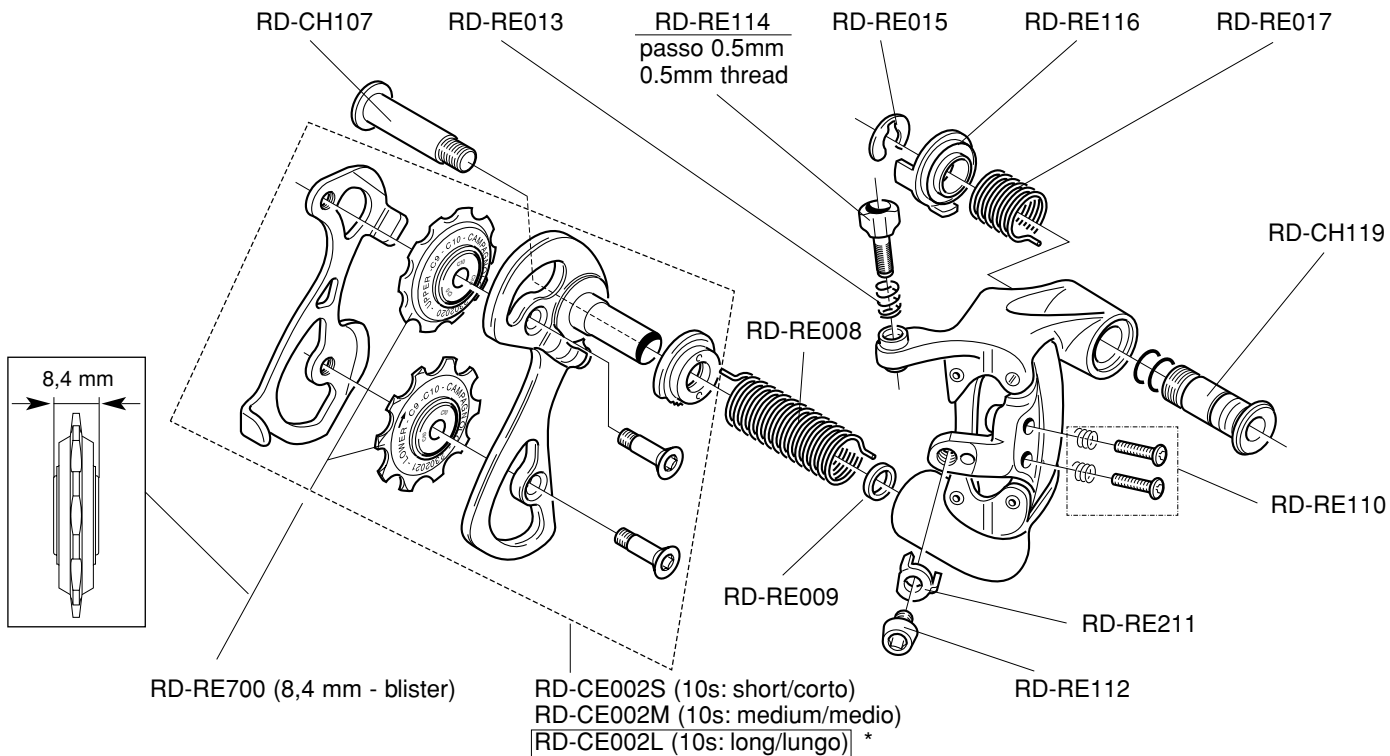
CHORUS™ 10s

RD4-CHXS
RD4-CHXM
RD4-CHXL



CENTAUR™ 10s

RD4-CEXS
RD4-CEXM
RD4-CEXL



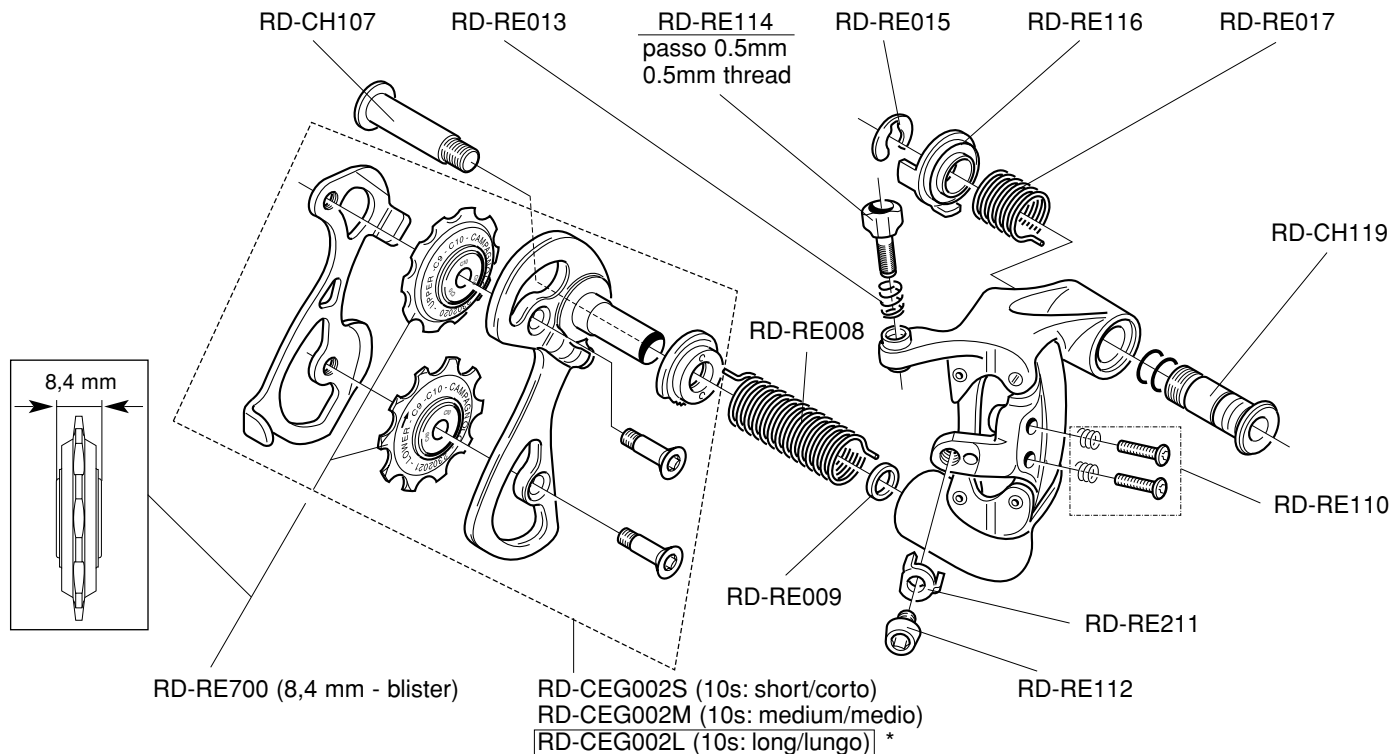
* solo per RD4-CEXL - non compatibile con RD4-CEXS e RD4-CEXM
* only for RD4-CEXL - not compatible with RD4-CEXS and RD4-CEXM

CENTAUR™ CENTURY GREY™ 10s

RD4-CEGXS

RD4-CEGXM

RD4-CEGXL



* solo per RD4-CEGXL - non compatibile con RD4-CEGXS e RD4-CEGXM

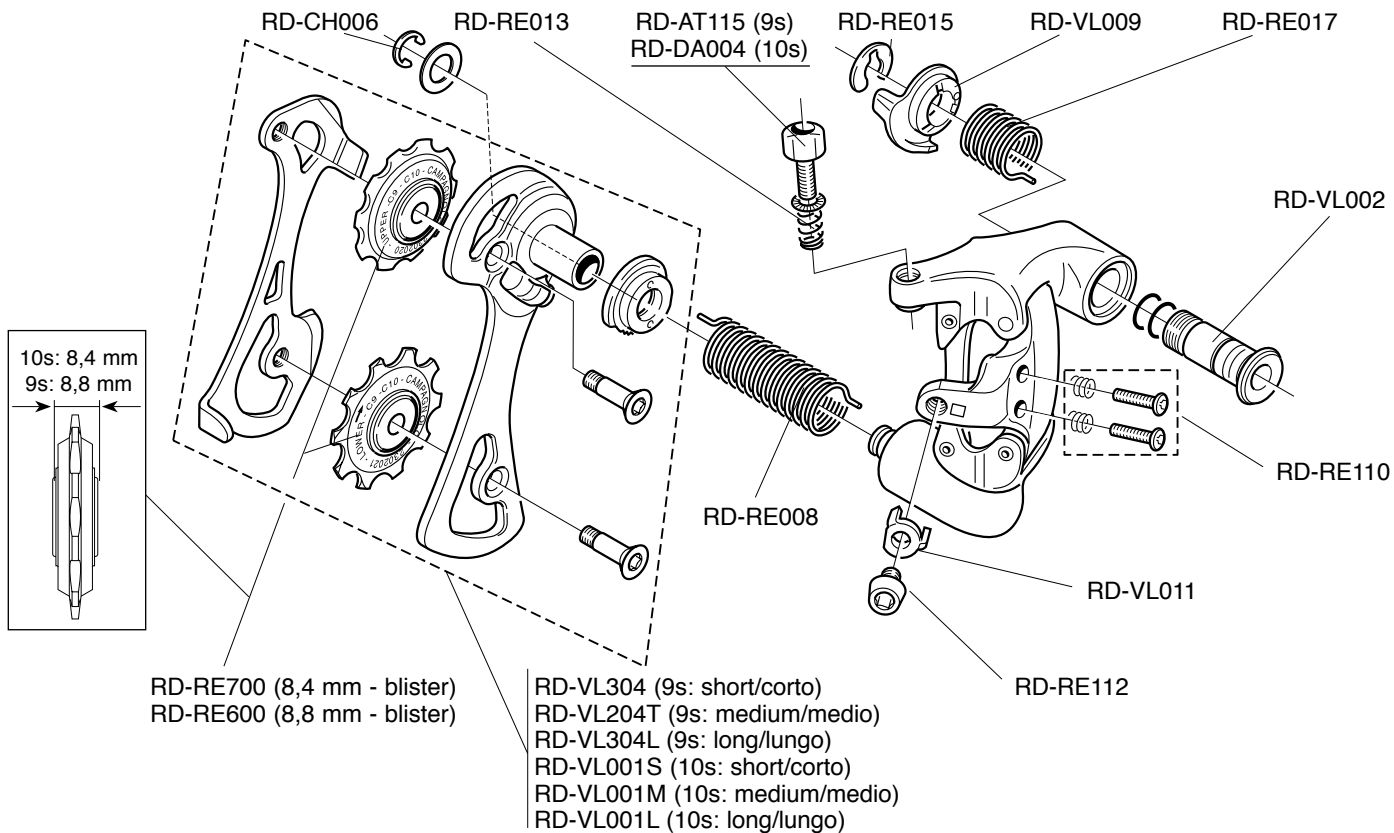
* only for RD4-CEGXL - not compatible with RD4-CEGXS and RD4-CEGXM

VELOCE™ 10s

RD4-VLXS
RD4-VLXM
RD4-VLXL

VELOCE™ 9s

RD02-VL209
RD02-VL309
RD4-VL9L

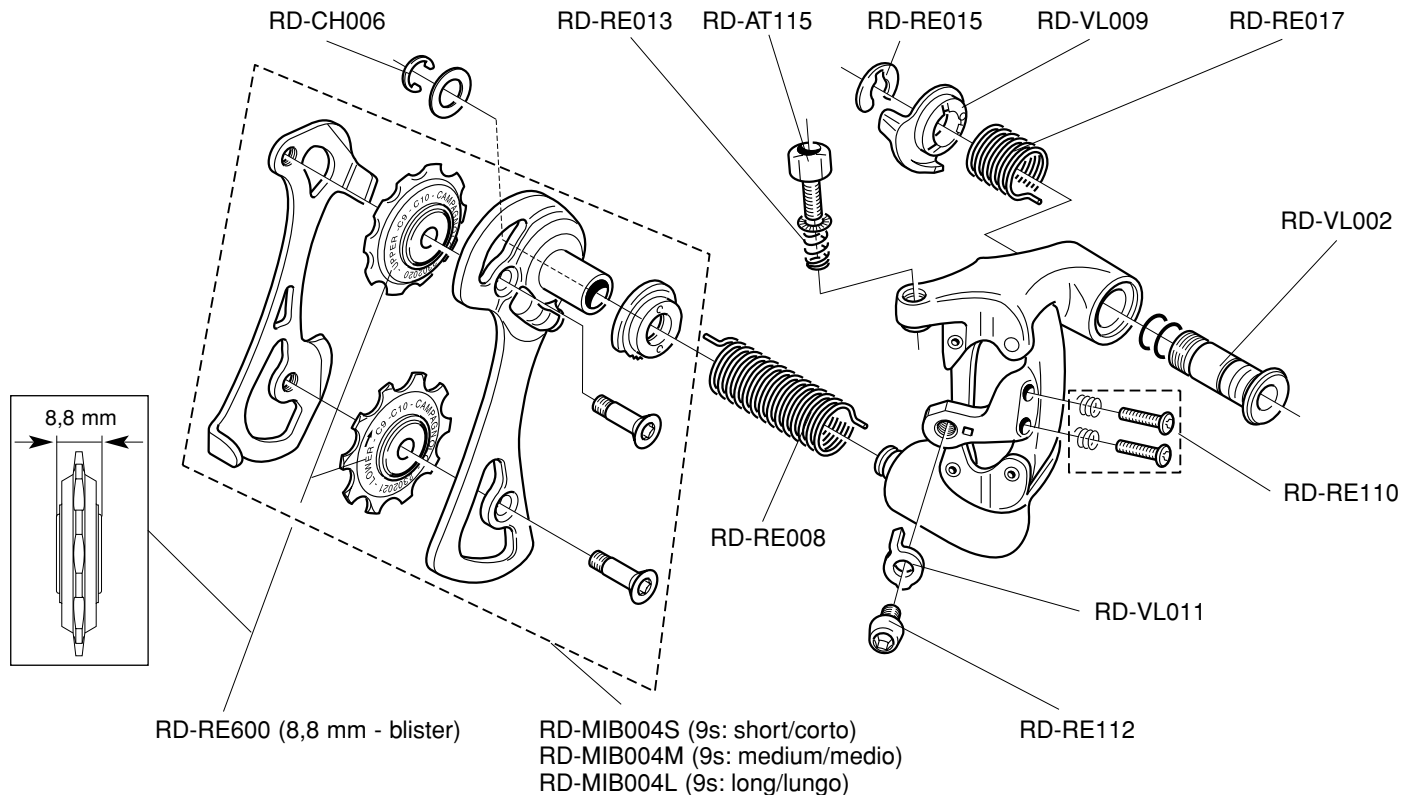


MIRAGE™ BLACK 9s

RD4-MI9S

RD4-MI9M

RD4-MI9L

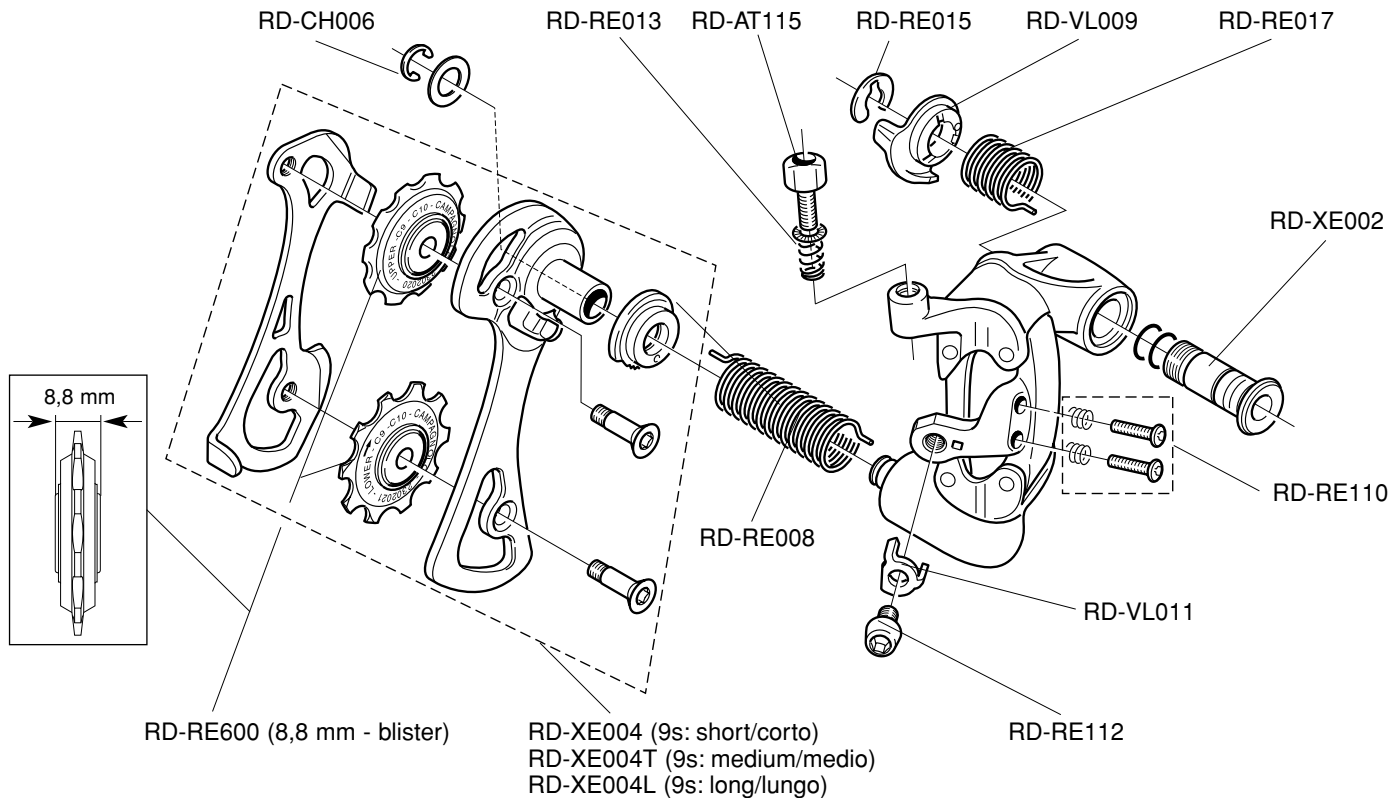


XENON™ 9s

RD02-XE209

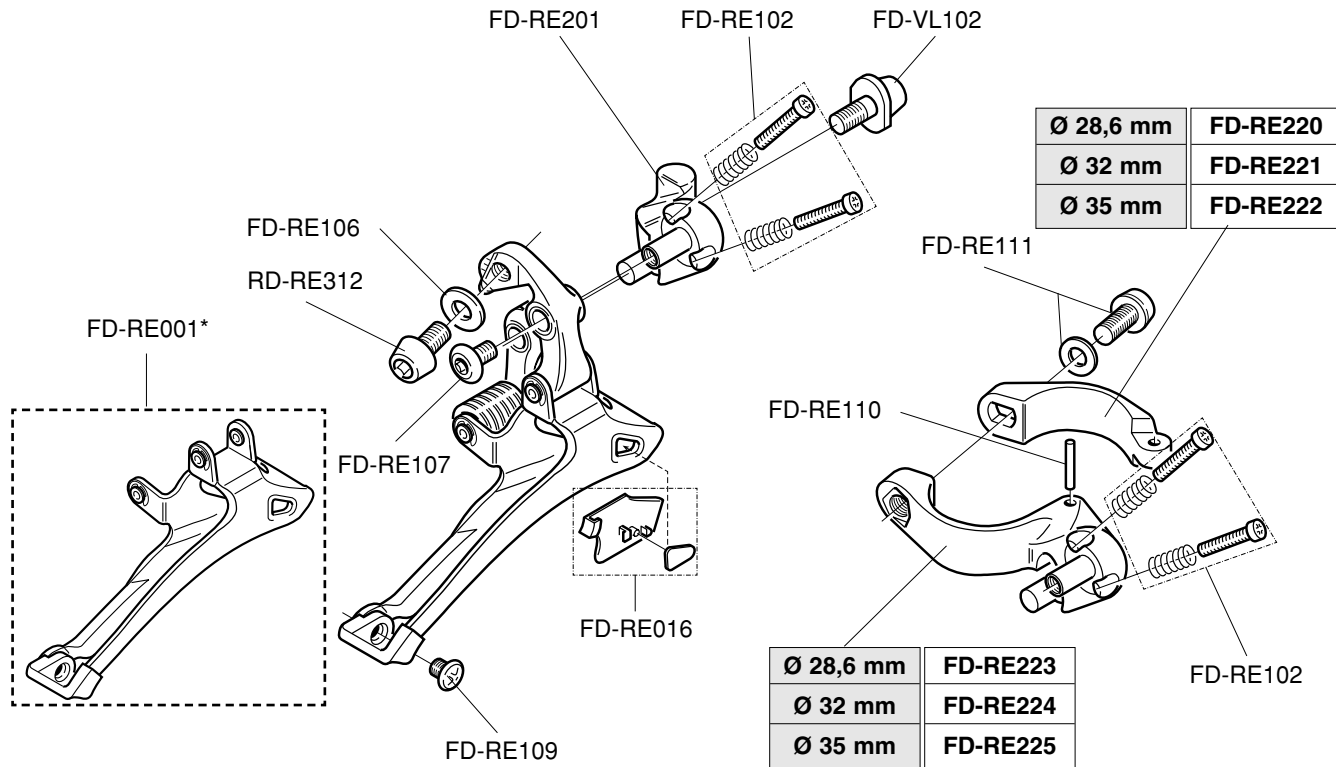
RD02-XE309

RD4-XE9L



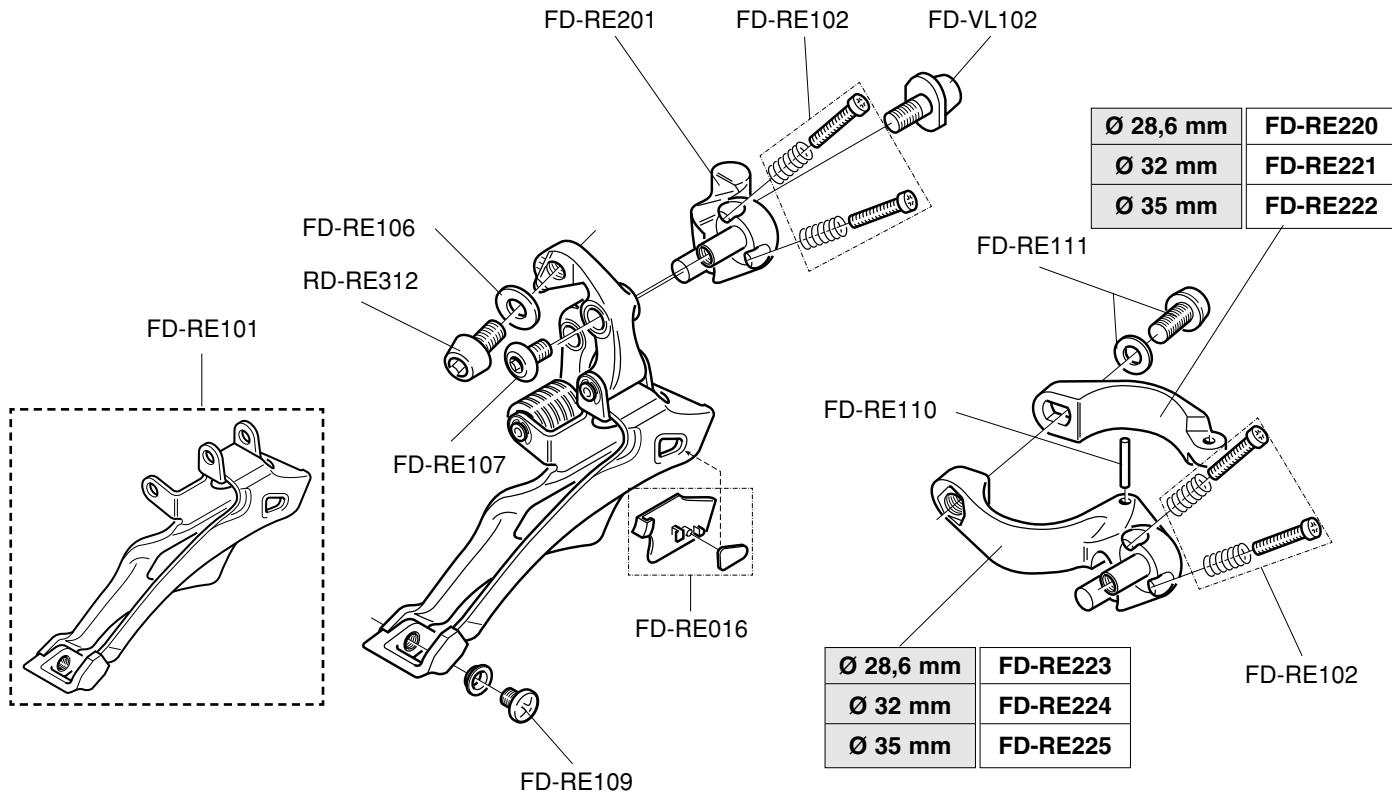
RECORD™ 10s
FD4-RE2..

9s compatible



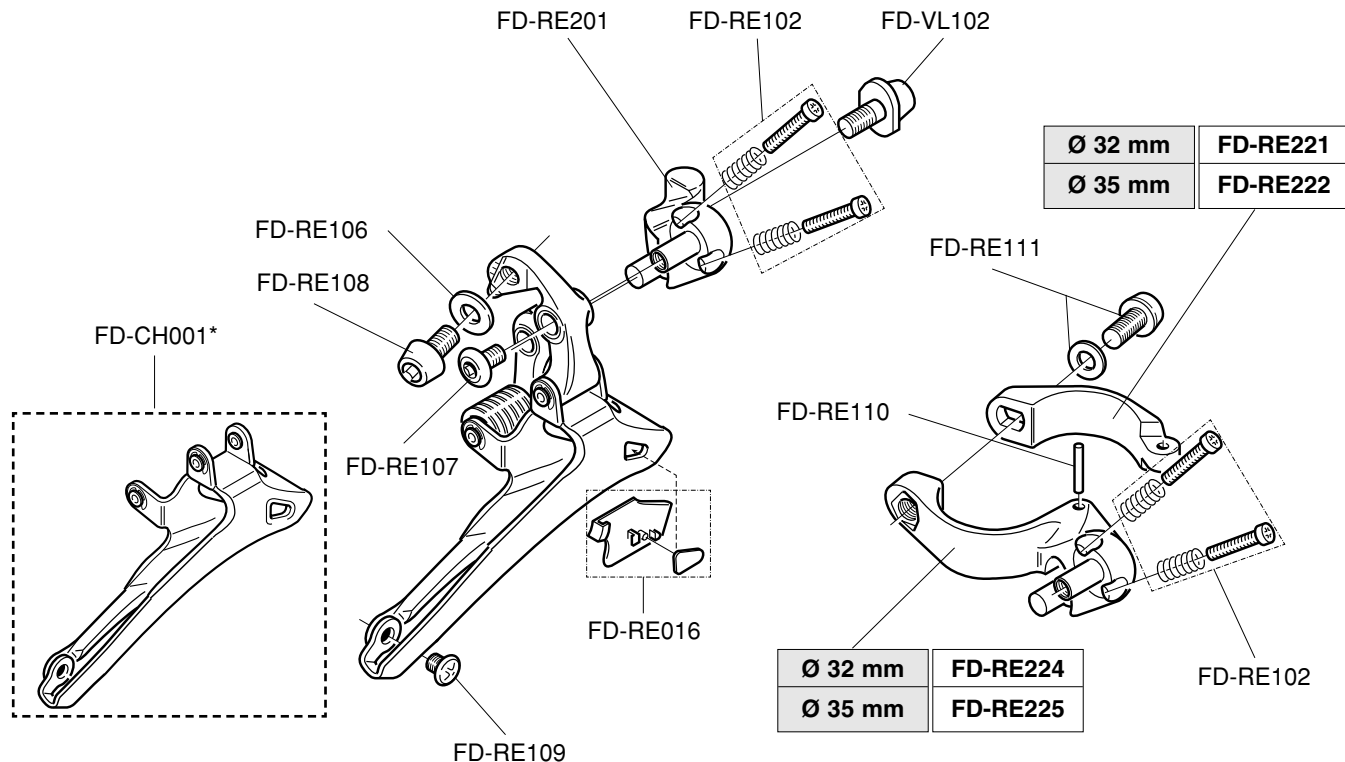
* non compatibile con gamma 2003 e precedenti
 * not compatible with 2003 range and previous

RECORD™ CT™
10s
FD5-RE2...CT



CHORUS™ 10s
FD4-CH2..

9s compatible



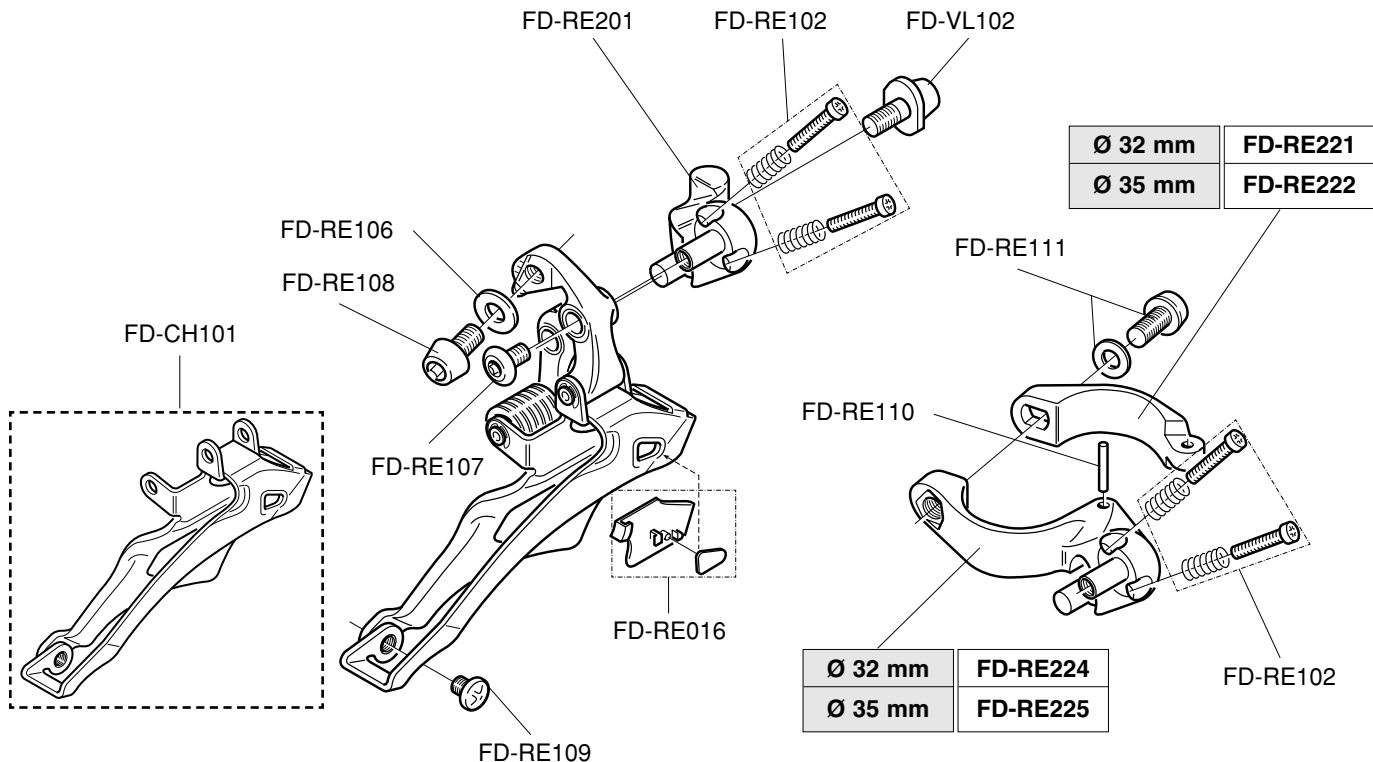
* non compatibile con gamma 2003 e precedenti

* not compatible with 2003 range and previous

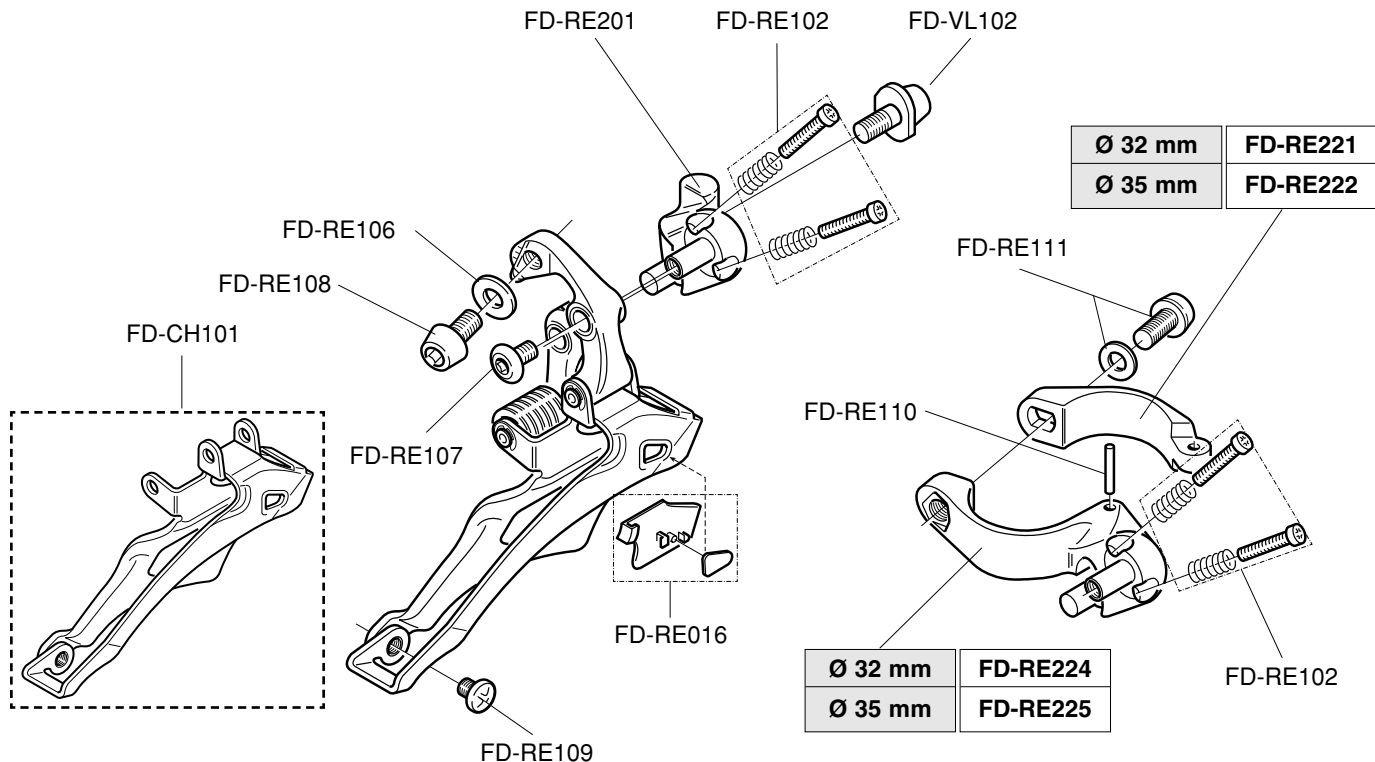
CHORUS™ CT™

10s

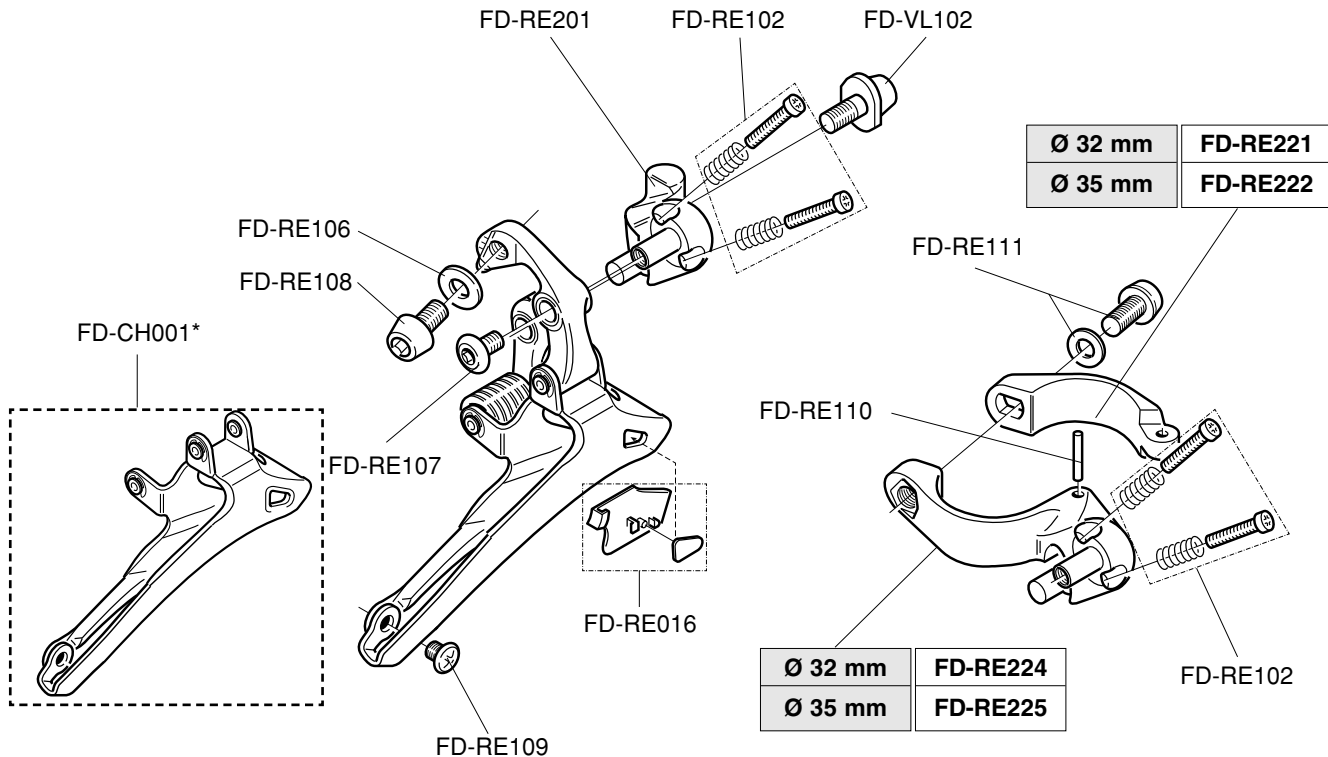
FD5-CH2..CT



CHORUS™ CT™
X FLAT-BAR 10s
FD5-CH2..CTFB



CHORUS™
X FLAT-BAR 10s
FD5-CH2..FB



* non compatibile con gamma 2003 e precedenti

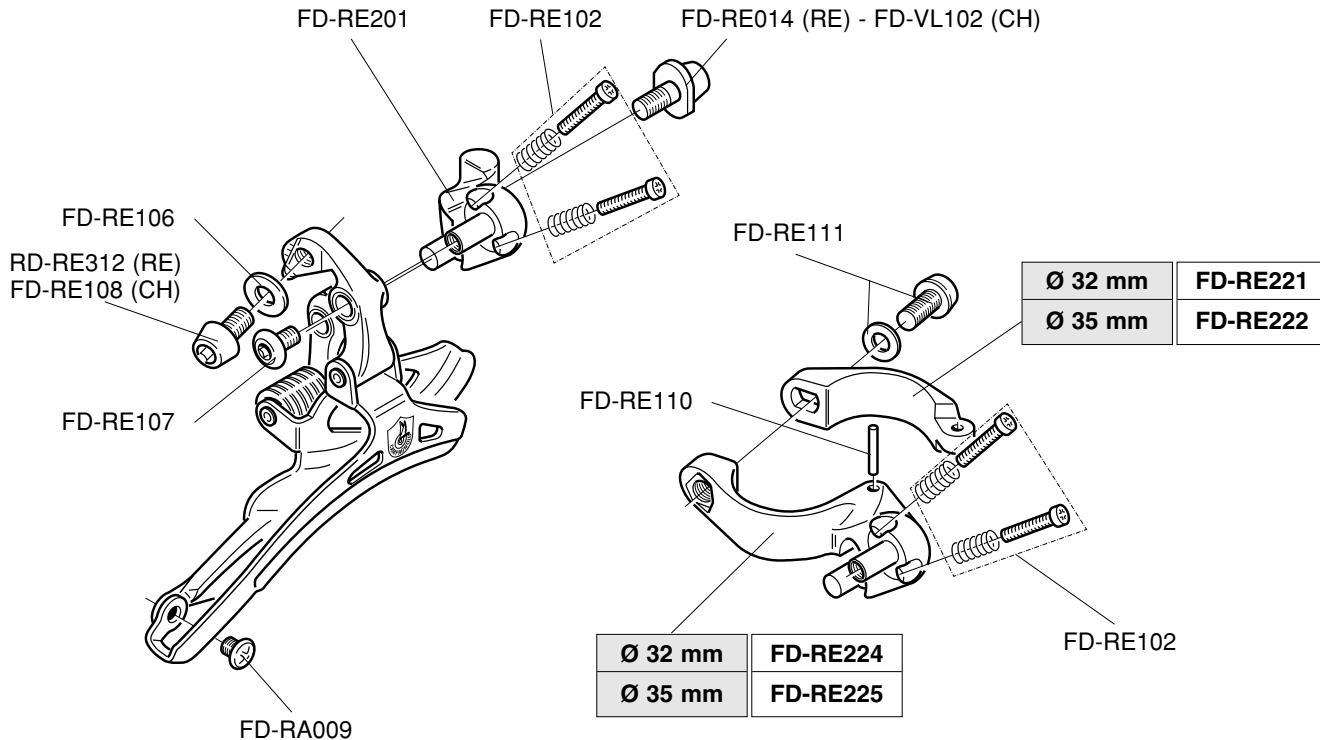
* not compatible with 2003 range and previous

RECORD™ TRIPLE 10s

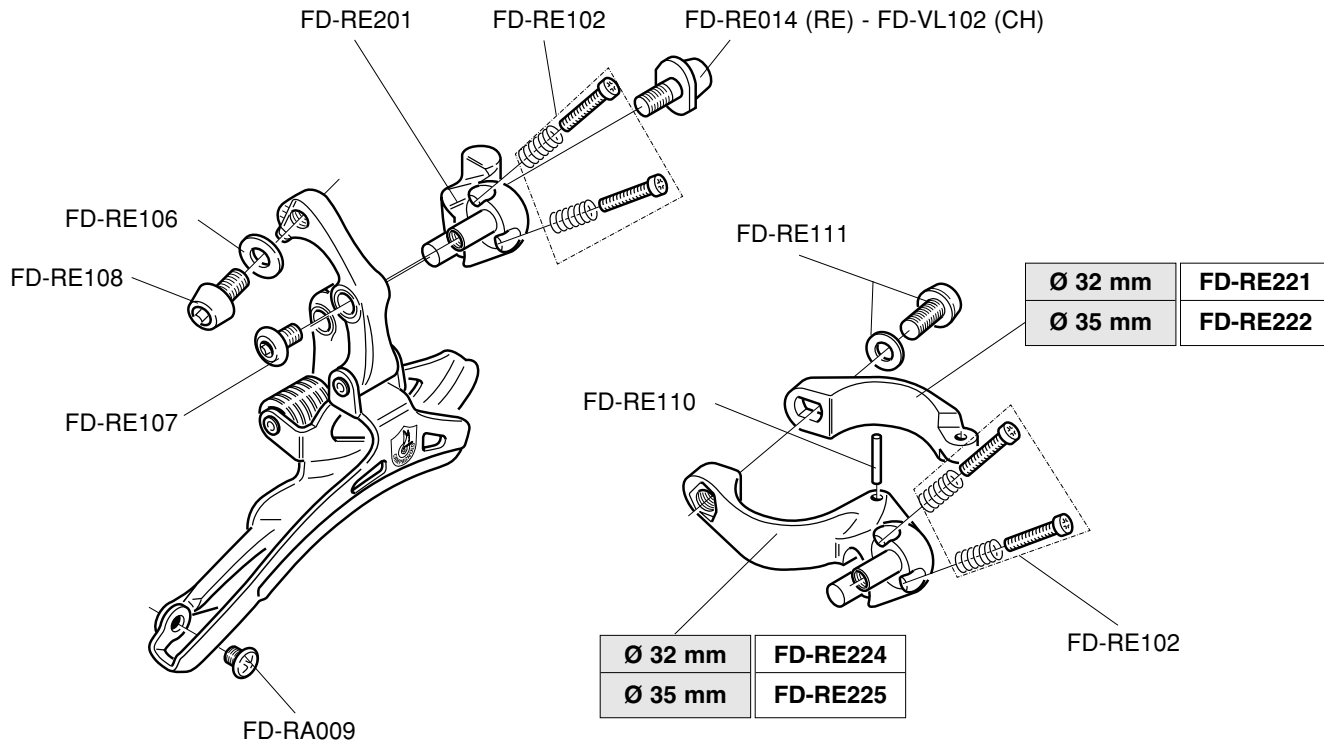
FD4-RE3..

CHORUS™ TRIPLE 10s

FD4-CH3..



CHORUS™ TRIPLE 10s
X FLAT-BAR
FD5-CH3..FB



CENTAUR™ 10s
FD4-CE2..
CENTAUR™ CENTURY GREY™ 10s
FD4-CEG2...

9s compatible

FD-CE001 (CENTAUR™)
 FD-CEG001 (CENTAUR™ C-GREY™)

FD-RE102

FD-VL102

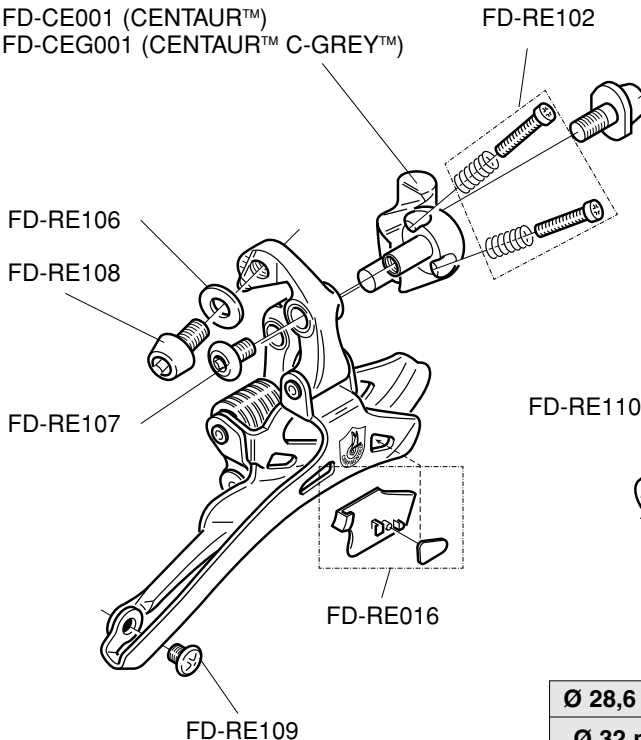
FD-RE106

FD-RE108

FD-RE107

FD-RE016

FD-RE109

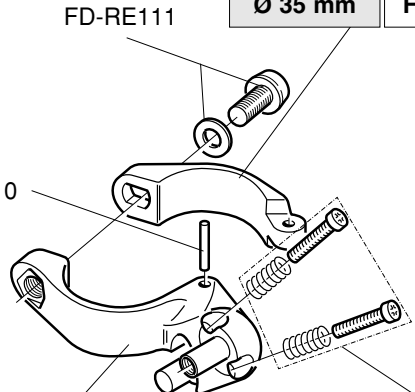


	CENTAUR™	C-GREY™
Ø 28,6 mm	FD-DA020	FD-CEG020
Ø 32 mm	FD-DA021	FD-CEG021
Ø 35 mm	FD-DA022	FD-CEG022

FD-RE111

FD-RE110

FD-RE102



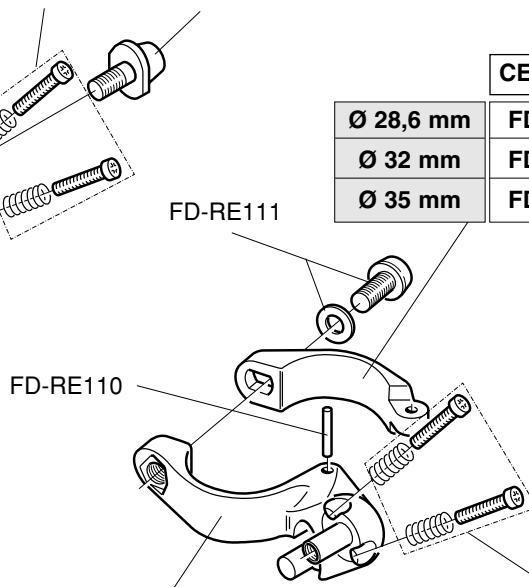
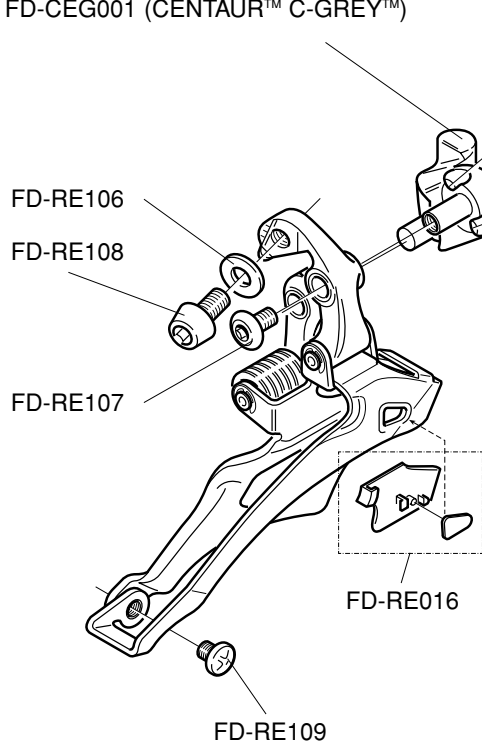
	CENTAUR™	C-GREY™
Ø 28,6 mm	FD-CE008	FD-CEG008
Ø 32 mm	FD-CE009	FD-CEG009
Ø 35 mm	FD-CE010	FD-CEG010

CENTAUR™ CT™ 10s
FD5-CE2..CT
CENTAUR™ CENTURY GREY™ CT™ 10s
FD5-CEG2...CT

FD-CE001 (CENTAUR™)
 FD-CEG001 (CENTAUR™ C-GREY™)

FD-RE102

FD-VL102



	CENTAUR™	C-GREY™
Ø 28,6 mm	FD-DA020	FD-CEG020
Ø 32 mm	FD-DA021	FD-CEG021
Ø 35 mm	FD-DA022	FD-CEG022

	CENTAUR™	C-GREY™
Ø 28,6 mm	FD-CE008	FD-CEG008
Ø 32 mm	FD-CE009	FD-CEG009
Ø 35 mm	FD-CE010	FD-CEG010

CENTAUR™ CT™ X FLAT-BAR 10s

FD5-CE2..CTFB

CENTAUR™ CENTURY GREY™ CT™

X FLAT-BAR 10s

FD5-CEG2...CTFB

FD-CE001 (CENTAUR™)

FD-CEG001 (CENTAUR™ C-GREY™)

FD-RE102

FD-VL102

FD-RE106

FD-RE108

FD-RE107

FD-RE016

FD-RE109

FD-RE111

FD-RE110

FD-RE102

	CENTAUR™	C-GREY™
Ø 28,6 mm	FD-DA020	FD-CEG020
Ø 32 mm	FD-DA021	FD-CEG021
Ø 35 mm	FD-DA022	FD-CEG022

	CENTAUR™	C-GREY™
Ø 28,6 mm	FD-CE008	FD-CEG008
Ø 32 mm	FD-CE009	FD-CEG009
Ø 35 mm	FD-CE010	FD-CEG010

CENTAUR™ X FLAT-BAR 10s
FD5-CE2..FB
CENTAUR™ CENTURY GREY™
X FLAT-BAR 10s
FD5-CEG2...FB

FD-CE001 (CENTAUR™)
 FD-CEG001 (CENTAUR™ C-GREY™)

FD-RE102

FD-VL102

FD-RE106

FD-RE108

FD-RE107

FD-RE016

FD-RE109

FD-RE111

FD-RE110

FD-RE102

	CENTAUR™	C-GREY™
Ø 28,6 mm	FD-DA020	FD-CEG020
Ø 32 mm	FD-DA021	FD-CEG021
Ø 35 mm	FD-DA022	FD-CEG022

	CENTAUR™	C-GREY™
Ø 28,6 mm	FD-CE008	FD-CEG008
Ø 32 mm	FD-CE009	FD-CEG009
Ø 35 mm	FD-CE010	FD-CEG010

CENTAUR™ TRIPLE 10s
FD4-CE3..
CENTAUR™ CENTURY GREY™ TRIPLE 10s
FD4-CEG3..

9s compatible

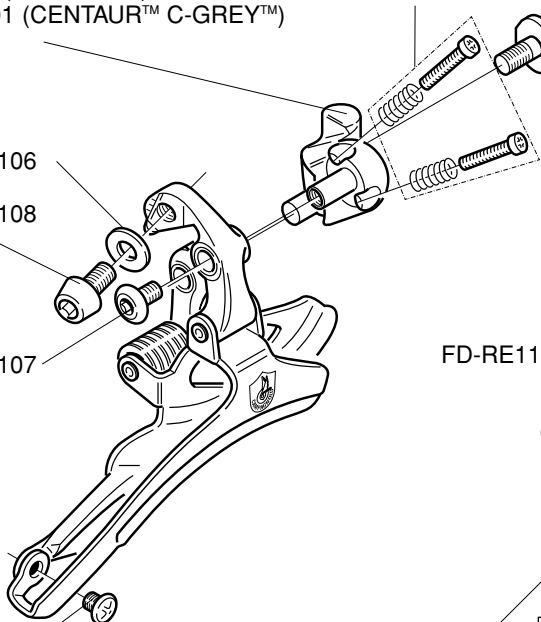
FD-CE001 (CENTAUR™)
 FD-CEG001 (CENTAUR™ C-GREY™)

FD-RE102 FD-VL102

FD-RE106

FD-RE108

FD-RE107

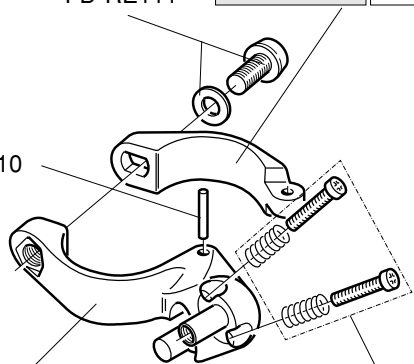


FD-RA009

	CENTAUR™	C-GREY™
Ø 32 mm	FD-DA021	FD-CEG021
Ø 35 mm	FD-DA022	FD-CEG022

FD-RE111

FD-RE110



FD-RE102

	CENTAUR™	C-GREY™
Ø 32 mm	FD-CE009	FD-CEG009
Ø 35 mm	FD-CE010	FD-CEG010

CENTAUR™ TRIPLE X FLAT-BAR 10s

FD5-CE3..FB

CENTAUR™ CENTURY GREY™ TRIPLE

X FLAT-BAR 10s

FD5-CEG3..FB

FD-CE001 (CENTAUR™)
FD-CEG001 (CENTAUR™ C-GREY™)

FD-RE102

FD-VL102

FD-RE106

FD-RE108

FD-RE107

FD-RA009

FD-RE111

FD-RE110

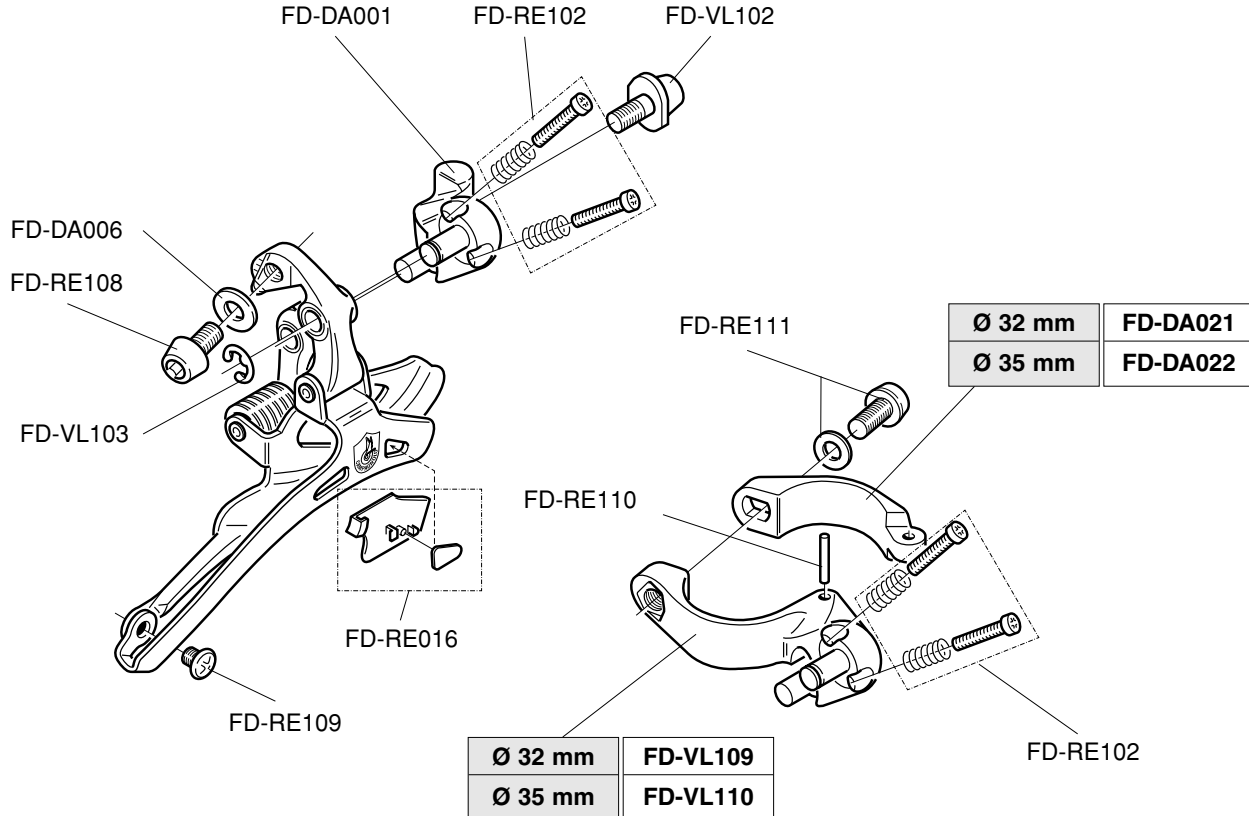
	CENTAUR™	C-GREY™
Ø 32 mm	FD-DA021	FD-CEG021
Ø 35 mm	FD-DA022	FD-CEG022

	CENTAUR™	C-GREY™
Ø 32 mm	FD-CE009	FD-CEG009
Ø 35 mm	FD-CE010	FD-CEG010

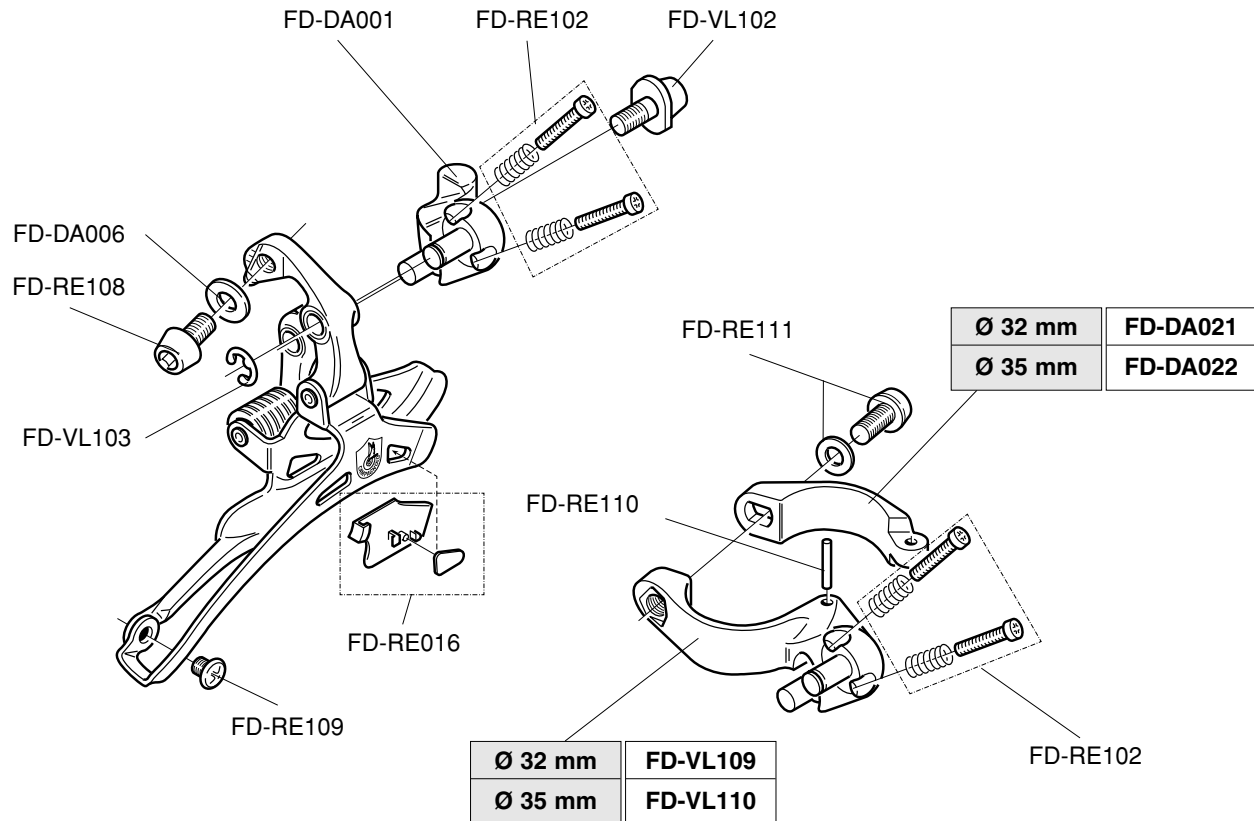
FD-RE102

VELOCE™ 10s
FD4-VL2..

9s compatible



VELOCE™ 10s
X FLAT-BAR
FD5-VL2..FB



**VELOCE™
TRIPLE 10s
FD4-MI2..**

**MIRAGE™ BLACK 9s
FD4-MIB2..
MIRAGE™ TRIPLE BLACK 9s
FD4-MIB3..**

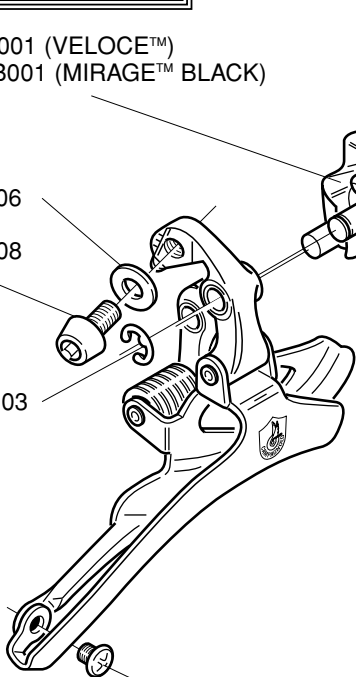
9s compatible

FD-DA001 (VELOCE™)
FD-MIB001 (MIRAGE™ BLACK)

FD-DA006

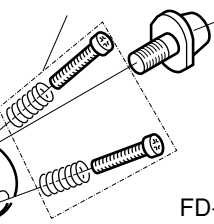
FD-RE108

FD-VL103



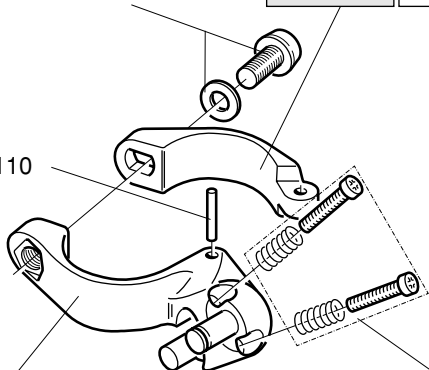
FD-RE109
FD-RA009 (TRIPLE)

FD-RE102 FD-VL102



FD-RE111

FD-RE110

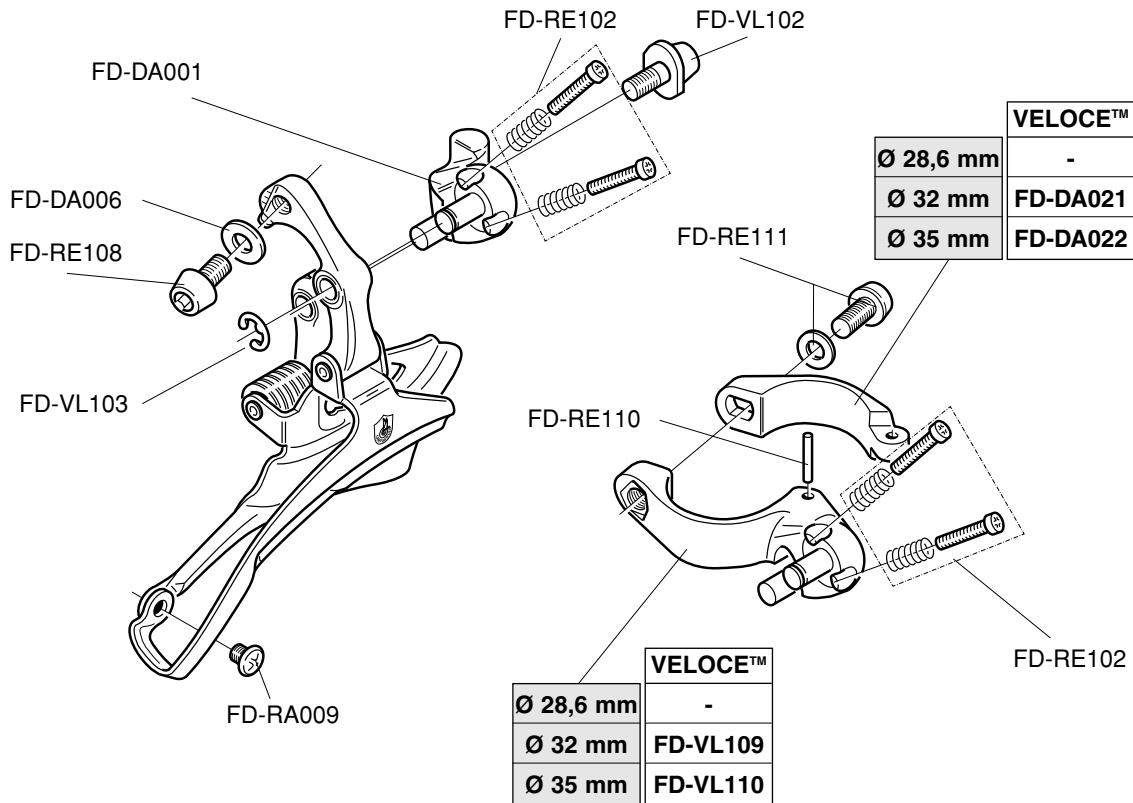


FD-RE102

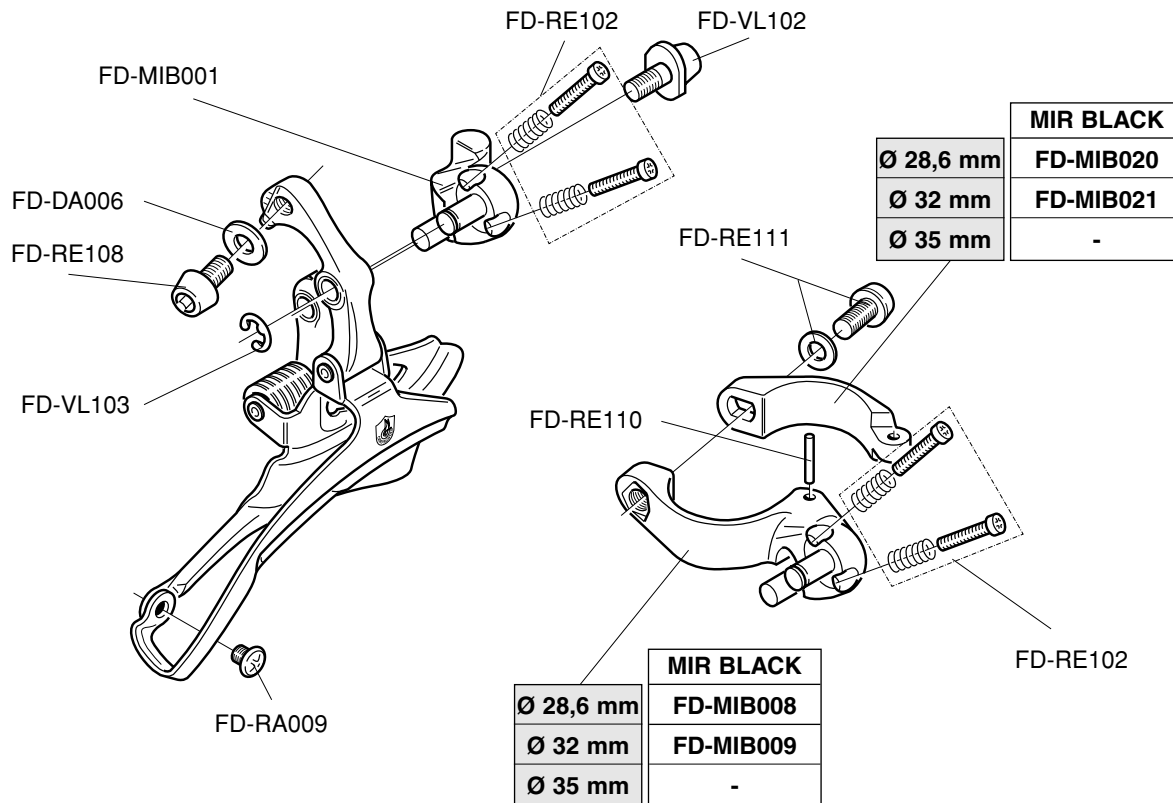
	VELOCE™	MIR BLACK
Ø 28,6 mm	-	FD-MIB020
Ø 32 mm	FD-DA021	FD-MIB021
Ø 35 mm	FD-DA022	-

	VELOCE™	MIR BLACK
Ø 28,6 mm	-	FD-MIB008
Ø 32 mm	FD-VL109	FD-MIB009
Ø 35 mm	FD-VL110	-

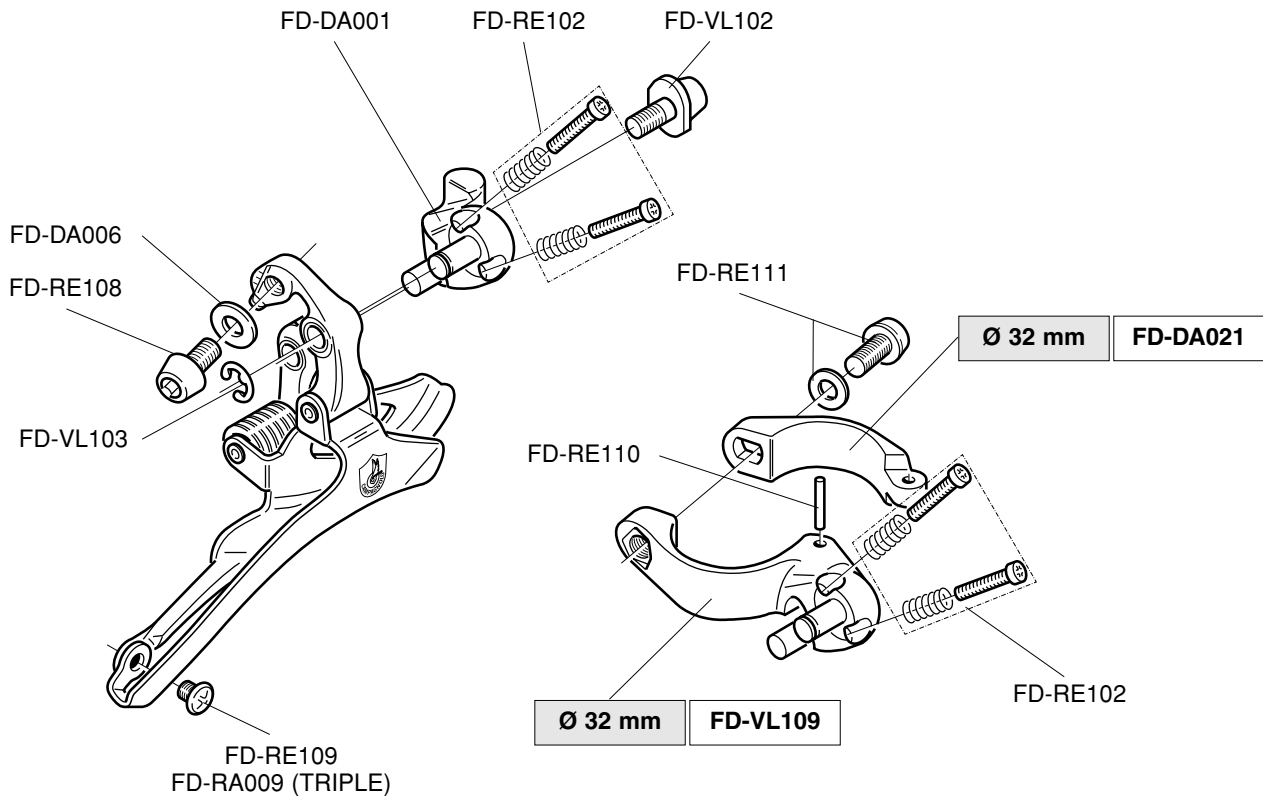
**VELOCE™ TRIPLE X
FLAT-BAR 10s
FD5-VL3..FB**



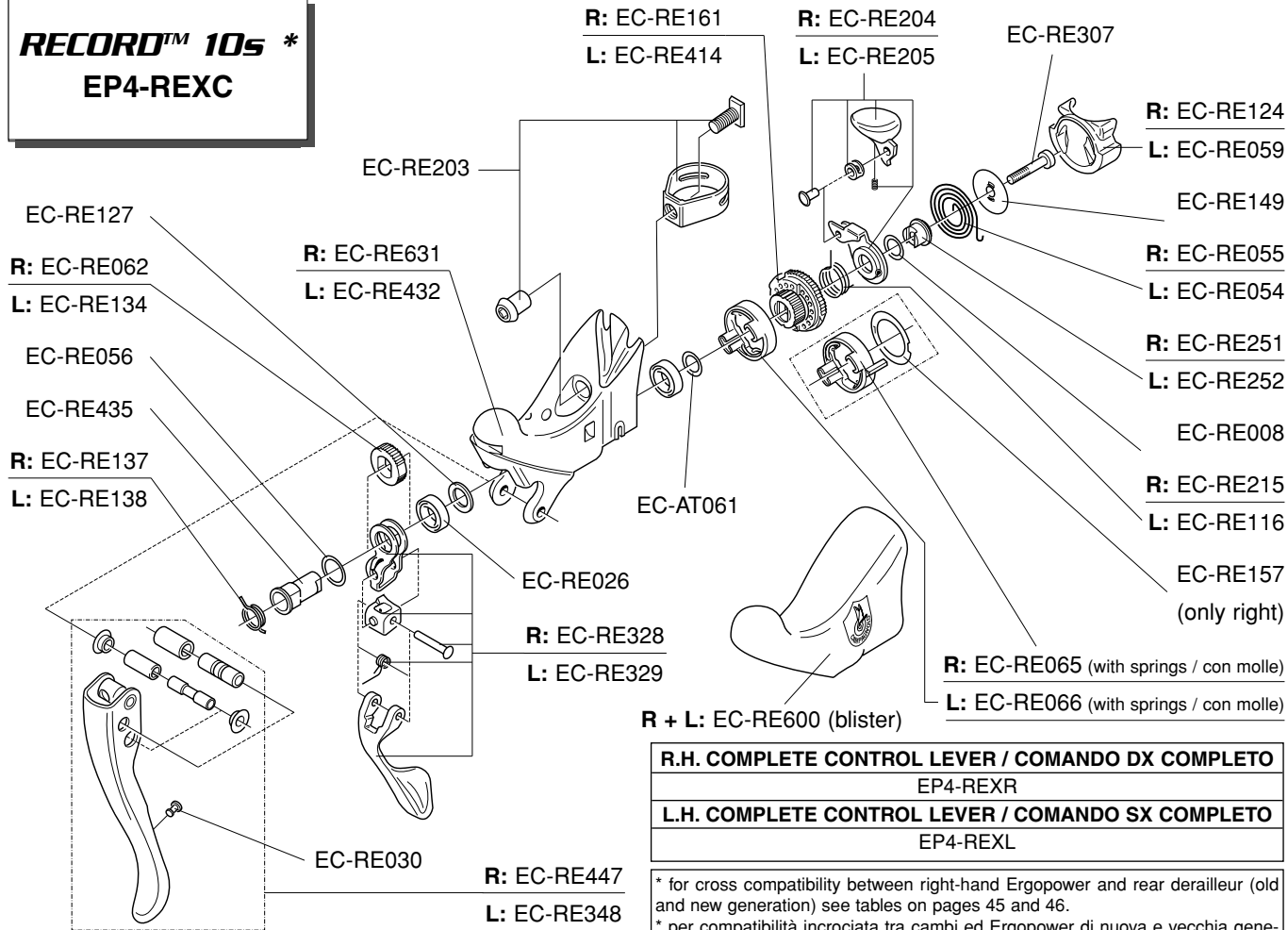
MIRAGE™ TRIPLE BLACK
X FLAT-BAR 9s
FD5-MIB3..FB



XENON™ 9s
FD4-XE2..
XENON™ TRIPLE 9s
FD4-XE3..



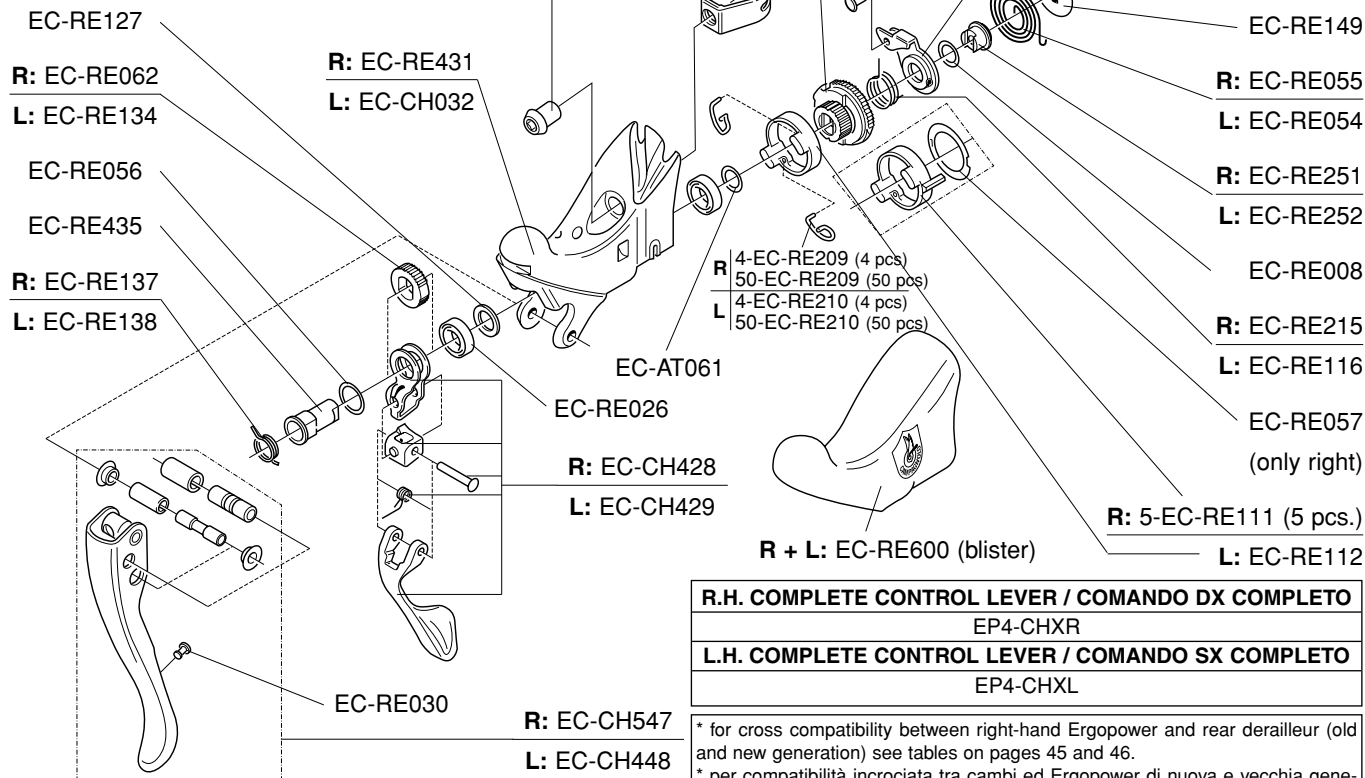
RECORD™ 10s *
EP4-REXC



R.H. COMPLETE CONTROL LEVER / COMANDO DX COMPLETO
EP4-REXR
L.H. COMPLETE CONTROL LEVER / COMANDO SX COMPLETO
EP4-REXL

* for cross compatibility between right-hand Ergopower and rear derailleur (old and new generation) see tables on pages 45 and 46.
 * per compatibilità incrociata tra cambi ed Ergopower di nuova e vecchia generazione vedi tabelle alle pagg. 45 e 46.

CHORUS™ 10s *
EP4-CHXC



R.H. COMPLETE CONTROL LEVER / COMANDO DX COMPLETO
EP4-CHXR
L.H. COMPLETE CONTROL LEVER / COMANDO SX COMPLETO
EP4-CHXL

* for cross compatibility between right-hand Ergopower and rear derailleur (old and new generation) see tables on pages 45 and 46.

* per compatibilità incrociata tra cambi ed Ergopower di nuova e vecchia generazione vedi tabelle alle pagg. 45 e 46.

CENTAUR™ 10s *
EP03-CE10CG
CENTAUR™ C-GREY 10s *
EP4-CEGXC

EC-RE127
R: EC-RE062
L: EC-RE134
 EC-RE056
 EC-VL036
R: EC-RE137
L: EC-RE138

CENTAUR™	
R	EC-DA231
L	EC-DA032
C-GREY	
R	EC-CEG031
L	EC-CEG032

CENTAUR™	
R	EC-CH328
L	EC-CH329
C-GREY	
R	EC-CEG028
L	EC-CEG029

	CENTAUR™	C-GREY
R	EC-CE247	EC-CEG047
L	EC-CE248	EC-CEG048

R: EC-RE061
L: EC-RE314

R: EC-RE204
L: EC-RE205

EC-RE307

R: EC-RE124
L: EC-RE059

R: EC-RE055
L: EC-RE054

R: EC-RE251
L: EC-RE252

EC-RE008
R: EC-RE215
L: EC-RE116

EC-RE057
 (only right)

R: 5-EC-RE111 (5 pcs.)

L: EC-RE112

R + L: EC-RE600 (blister)

R.H. COMPLETE CONTROL LEVER / COMANDO DX COMPLETO
CENTAUR™: EP03-CE10R - C-GREY: EP4-CEGXR
L.H. COMPLETE CONTROL LEVER / COMANDO SX COMPLETO
CENTAUR™: EP03-CE10L - C-GREY: EP4-CEGXL

* for cross compatibility between right-hand Ergopower and rear derailleur (old and new generation) see tables on pages 45 and 46.

* per compatibilità incrociata tra cambi ed Ergopower di nuova e vecchia generazione vedi tabelle alle pagg. 45 e 46.

VELOCE™ 10s *
EP4-VLXC
VELOCE™ 9s *
EP03-VL09CG

R (10s): EC-RE062
R (9s): EC-RE133
L: EC-RE134

EC-RE056

EC-VL036

R: EC-RE137

L: EC-RE138

R (10s): EC-DA231
R (9s): EC-DA131
L: EC-DA032

EC-RE203

R (10s): EC-RE061
R (9s): EC-RE063
L: EC-RE314

R: EC-RE204
L: EC-RE205

EC-RE307

R: EC-RE124

L: EC-RE059

EC-RE149

R: EC-RE055

L: EC-RE054

R 4-EC-RE209 (4 pcs)
 50-EC-RE209 (50 pcs)
L 4-EC-RE210 (4 pcs)
 50-EC-RE210 (50 pcs)

EC-RE008

R: EC-RE215

L: EC-RE116

EC-RE057

(only right)

R: 5-EC-RE111 (5 pcs.)

L: EC-RE112

R: EC-VL028

L: EC-VL029

R + L: EC-RE600 (blister)

EC-RE030

R (10s): EC-VL647

R (9s): EC-VL547

L (10s): EC-VL648

L (9s): EC-VL548

R.H. COMPLETE CONTROL LEVER / COMANDO DX COMPLETO

9s: EP03-VL09R - 10s: EP4-VLXR

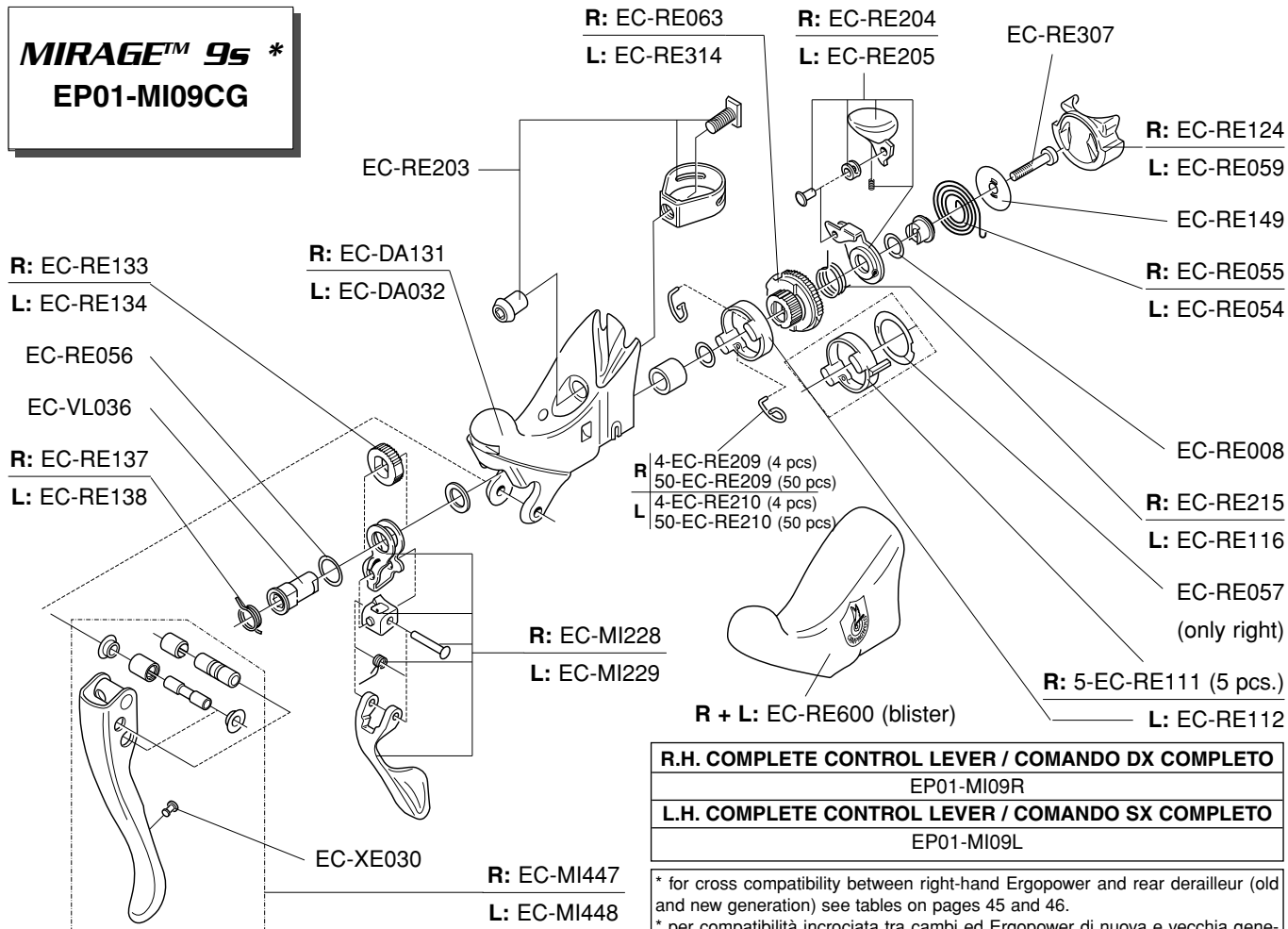
L.H. COMPLETE CONTROL LEVER / COMANDO SX COMPLETO

9s: EP03-VL09L - 10s: EP4-VLXL

* for cross compatibility between right-hand Ergopower and rear derailleur (old and new generation) see tables on pages 45 and 46.

* per compatibilità incrociata tra cambi ed Ergopower di nuova e vecchia generazione vedi tabelle alle pagg. 45 e 46.

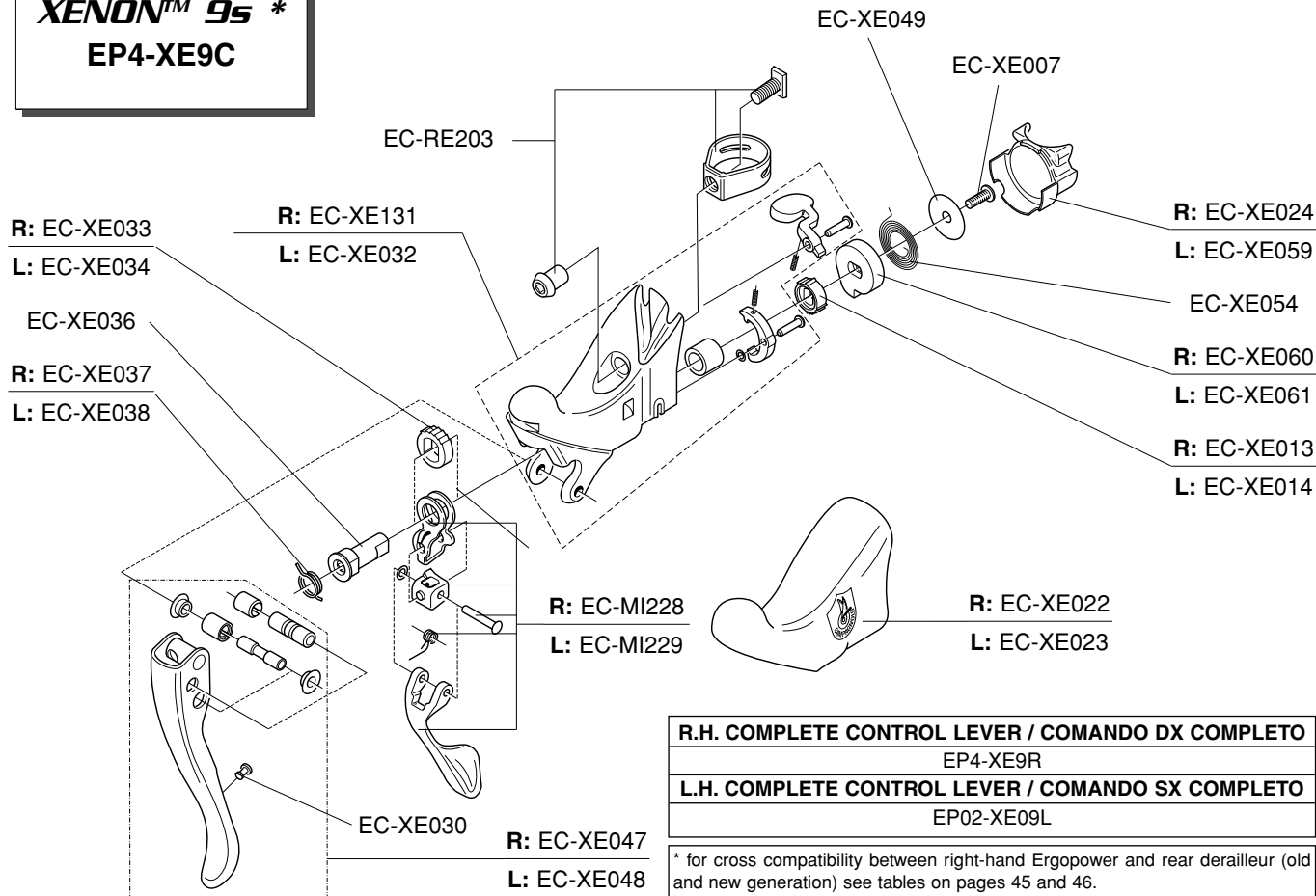
MIRAGE™ 9s *
EP01-MI09CG



R.H. COMPLETE CONTROL LEVER / COMANDO DX COMPLETO
EP01-MI09R
L.H. COMPLETE CONTROL LEVER / COMANDO SX COMPLETO
EP01-MI09L

* for cross compatibility between right-hand Ergopower and rear derailleur (old and new generation) see tables on pages 45 and 46.
* per compatibilità incrociata tra cambi ed Ergopower di nuova e vecchia generazione vedi tabelle alle pagg. 45 e 46.

XENON™ 9s *
EP4-XE9C



R.H. COMPLETE CONTROL LEVER / COMANDO DX COMPLETO

EP4-XE9R

L.H. COMPLETE CONTROL LEVER / COMANDO SX COMPLETO

EP02-XE09L


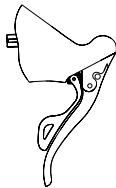
* for cross compatibility between right-hand Ergopower and rear derailleur (old and new generation) see tables on pages 45 and 46.

* per compatibilità incrociata tra cambi ed Ergopower di nuova e vecchia generazione vedi tabelle alle pagg. 45 e 46.

**CROSS COMPATIBILITY BETWEEN RIGHT-HAND ERGOPOWERS AND REAR DERAILLEURS
(old and new generation)**

**COMPATIBILITÀ INCROCIATA TRA ERGOPOWER DX E CAMBI
(nuova e vecchia generazione)**

ERGOPOWER

SPEED VELOCITÀ	YEAR ANNO	FEATURES CARATTERISTICHE		
8s	< 1998	“old style” (pointed) body / corpo a punta		OLD STYLE
9s	1997	“old style” (pointed) body / corpo a punta		
9s	1998	“new style” (rounded) body / corpo arrotondato		
9s	1999-2000	“new style” (rounded) body, ErgoBrain computer ready / corpo arrotondato, predisposizione ErgoBrain (pulsantino sul coprisupporto)		NEW STYLE
9s	2001-2005	“9 speed” mark, “new style” (rounded) body, ErgoBrain computer ready / logo “9 speed” sul corpo, corpo arrotondato, predisposizione ErgoBrain (pulsantino sul coprisupporto)		
10s	2000-2005	“10 speed” mark, “new style” (rounded) body, ErgoBrain computer ready / logo “10 speed” sul corpo, corpo arrotondato, predisposizione ErgoBrain (pulsantino sul coprisupporto)		

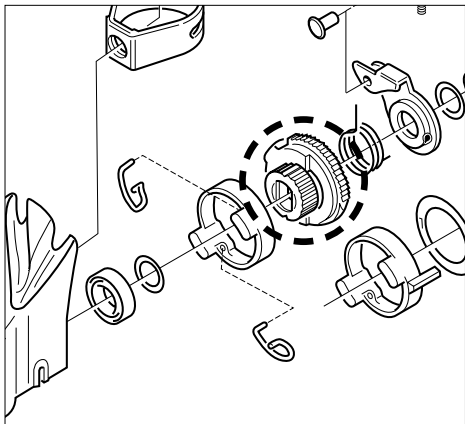
REAR DERAILLEUR / CAMBIO

SPEED VELOCITÀ	YEAR ANNO	FEATURES CARATTERISTICHE
8s	< 1998	adjusting system on the upper body / sistema di registrazione sul corpo superiore
9s	1997-2000	adjusting system on the upper body / sistema di registrazione sul corpo superiore
9s	2001-2005	adjusting system on the lower body / sistema di registrazione sul corpo inferiore



CROSS COMPATIBILITY BETWEEN RIGHT-HAND ERGOPOWERS AND REAR DERAILLEURS (old and new generation)

COMPATIBILITÀ INCROCIATA TRA ERGOPOWER DX E CAMBI (nuova e vecchia generazione)

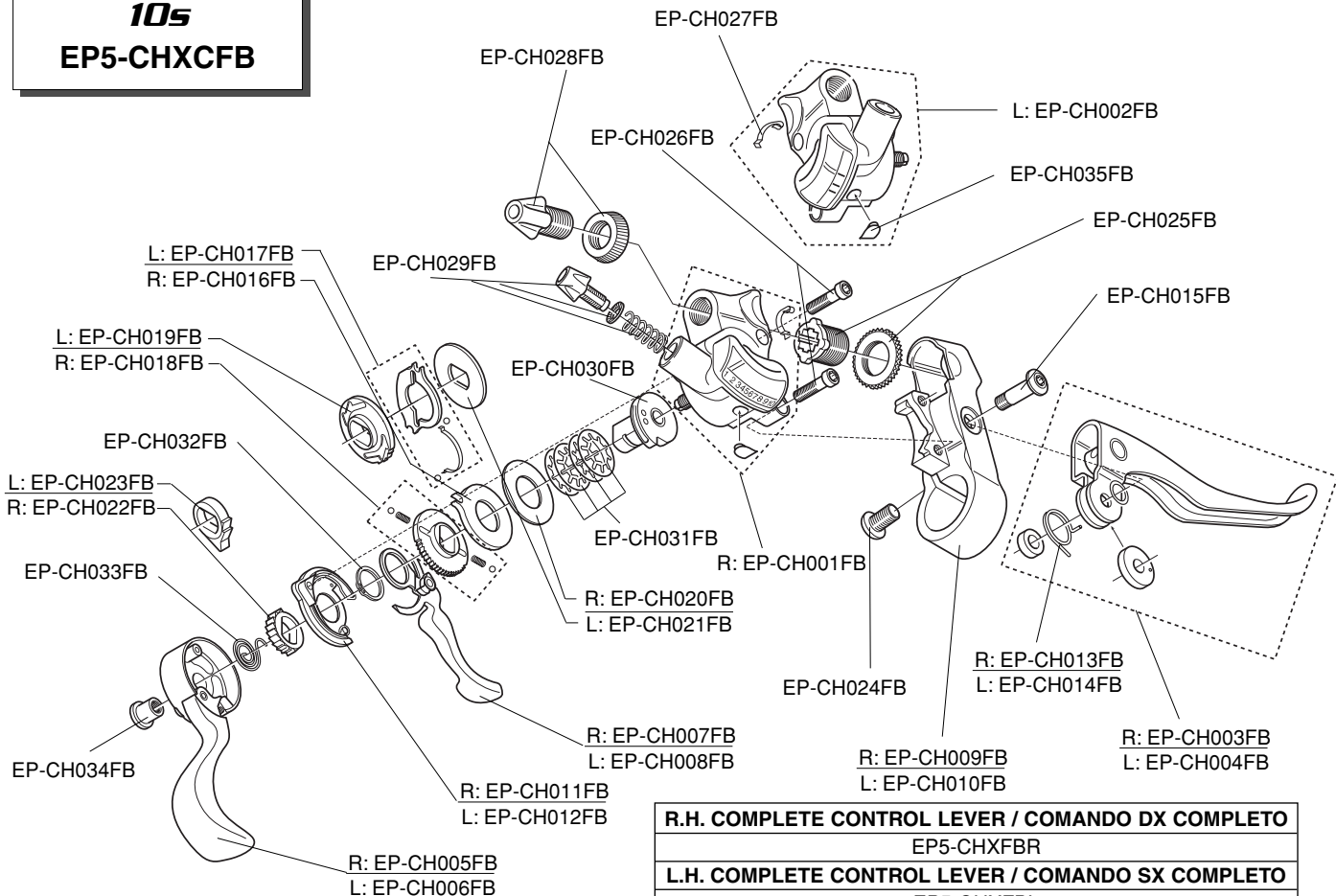


The codes in the table are referring to the indexing ratchet of the right-hand Ergopower (see the figure). To ensure the compatibility between replace the indexing ratchet with the one indicated in the table (referring to the rear derailleur / Ergopower combination).

I codici in tabella si riferiscono alla bussola dentata (evidenziata in figura) del comando dx Ergopower: per assicurare la compatibilità tra cambio ed Ergopower destro, va eventualmente sostituita la bussola dentata esistente con quella indicata in tabella (a seconda della combinazione cambio / Ergopower).

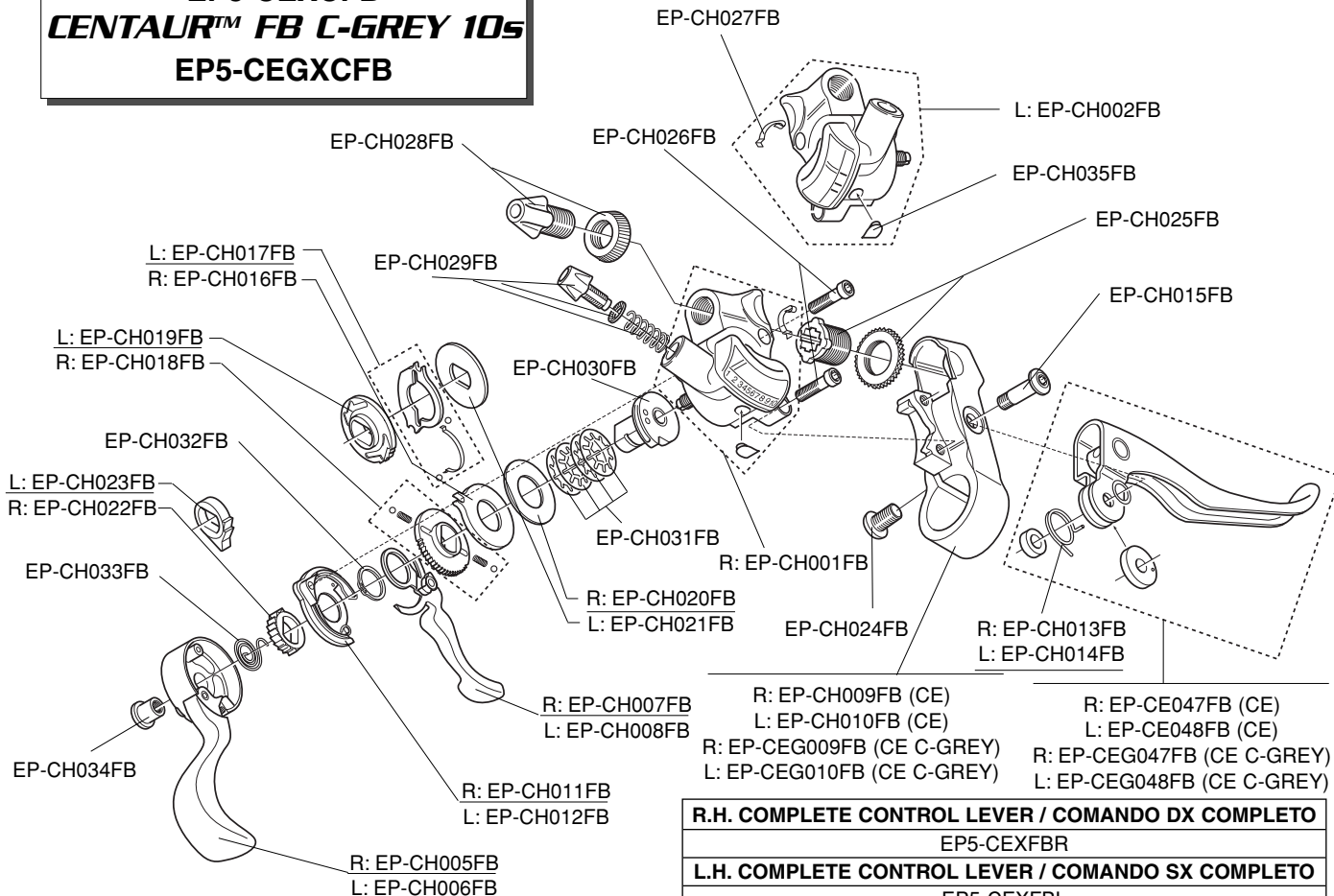
	9s 2001-2005 rear derailleur / cambio 9s 2001-2005	9s 1997-2000 rear derailleur / cambio 9s 1997-2000	8s rear derailleur / cambio 8s
Ergopower 8s	OK * (with C9 chain / con catena C9)	OK * (with C9 chain / con catena C9)	OK
Ergopower 9s 1997-1998	EC-RE064	OK	NO
Ergopower 9s 1999-2000	EC-RE063	OK	EC-RE060
Ergopower 9s 2001-2005	OK	EC-RE313	EC-RE060
Ergopower 10s 2000-2005	EC-RE063	EC-RE313	EC-RE060

CHORUS™ FB
10s
EP5-CHXCFB

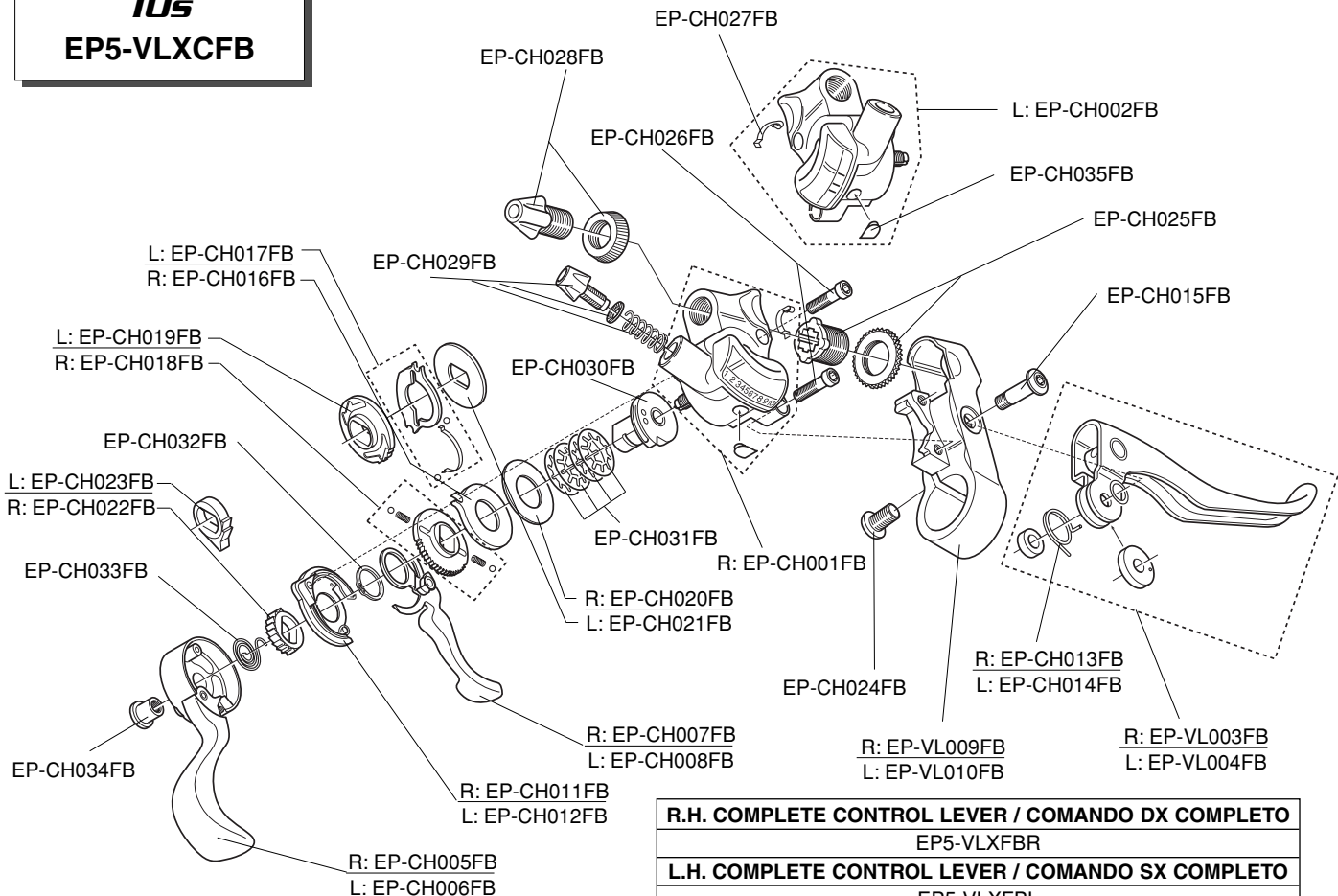


R.H. COMPLETE CONTROL LEVER / COMANDO DX COMPLETO
EP5-CHXFBR
L.H. COMPLETE CONTROL LEVER / COMANDO SX COMPLETO
EP5-CHXFBL

CENTAUR™ FB 10s
EP5-CEXCFB
CENTAUR™ FB C-GREY 10s
EP5-CEGXCFB

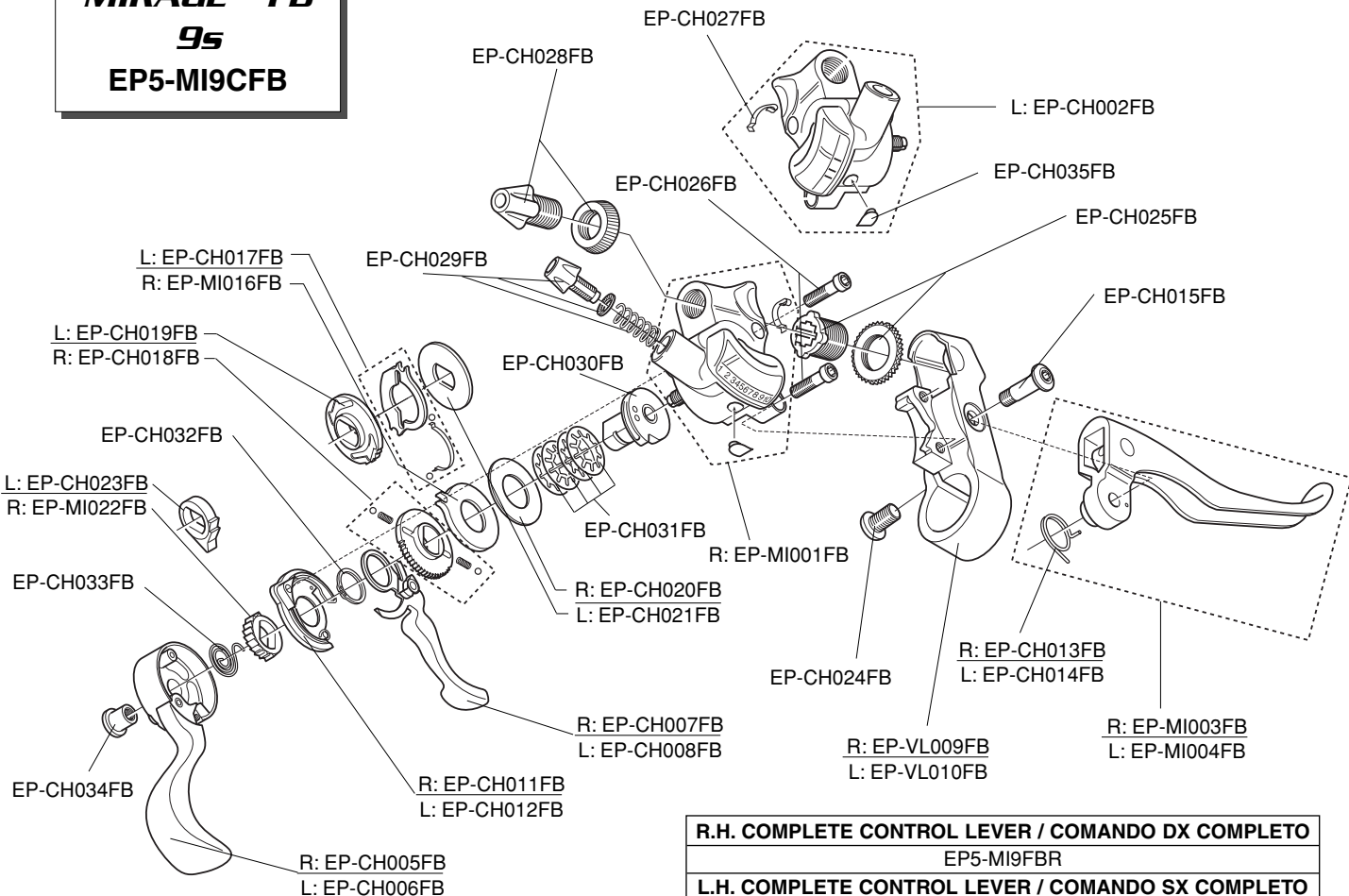


VELOCE™ FB
10s
EP5-VLXCFB



R.H. COMPLETE CONTROL LEVER / COMANDO DX COMPLETO
EP5-VLXFBR
L.H. COMPLETE CONTROL LEVER / COMANDO SX COMPLETO
EP5-VLXFBL

MIRAGE™ FB
95
EP5-MI9CFB



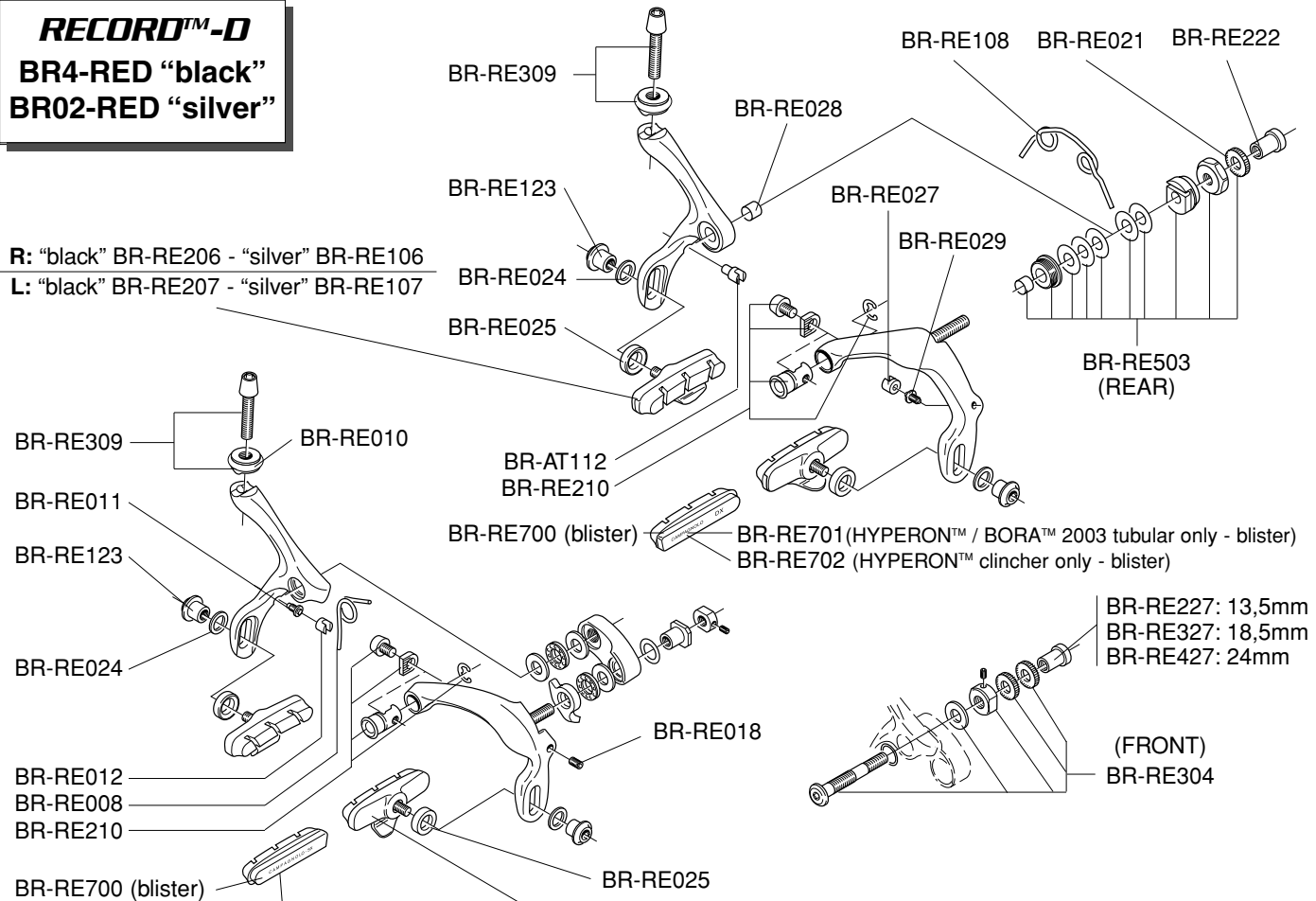
R.H. COMPLETE CONTROL LEVER / COMANDO DX COMPLETO
EP5-MI9FBR
L.H. COMPLETE CONTROL LEVER / COMANDO SX COMPLETO
EP5-MI9FBL

RECORD™-D

BR4-RED "black"
BR02-RED "silver"

R: "black" BR-RE206 - "silver" BR-RE106

L: "black" BR-RE207 - "silver" BR-RE107

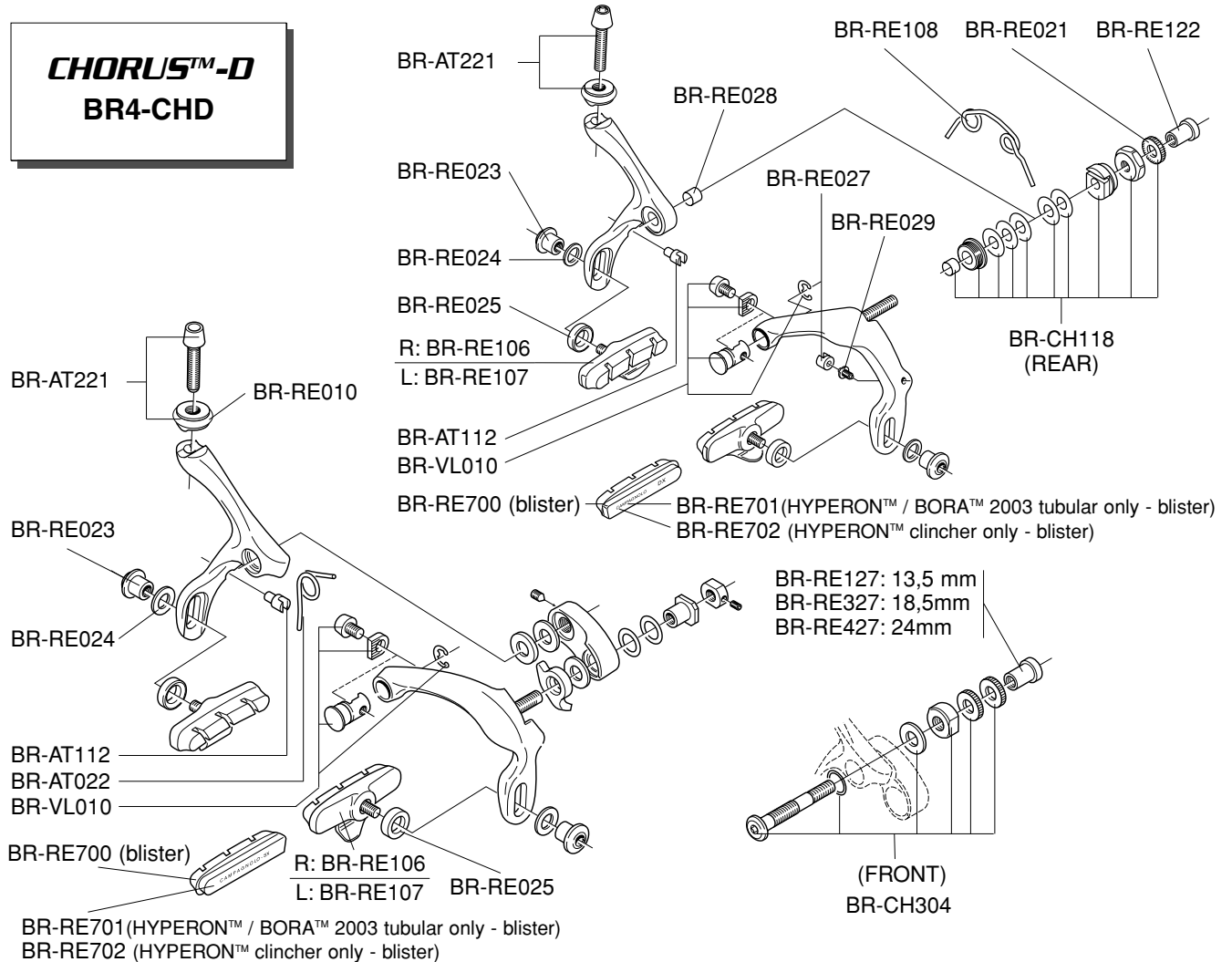


BR-RE701 (HYPERON™ / BORA™ 2003 tubular only - blister)
BR-RE702 (HYPERON™ clincher only - blister)

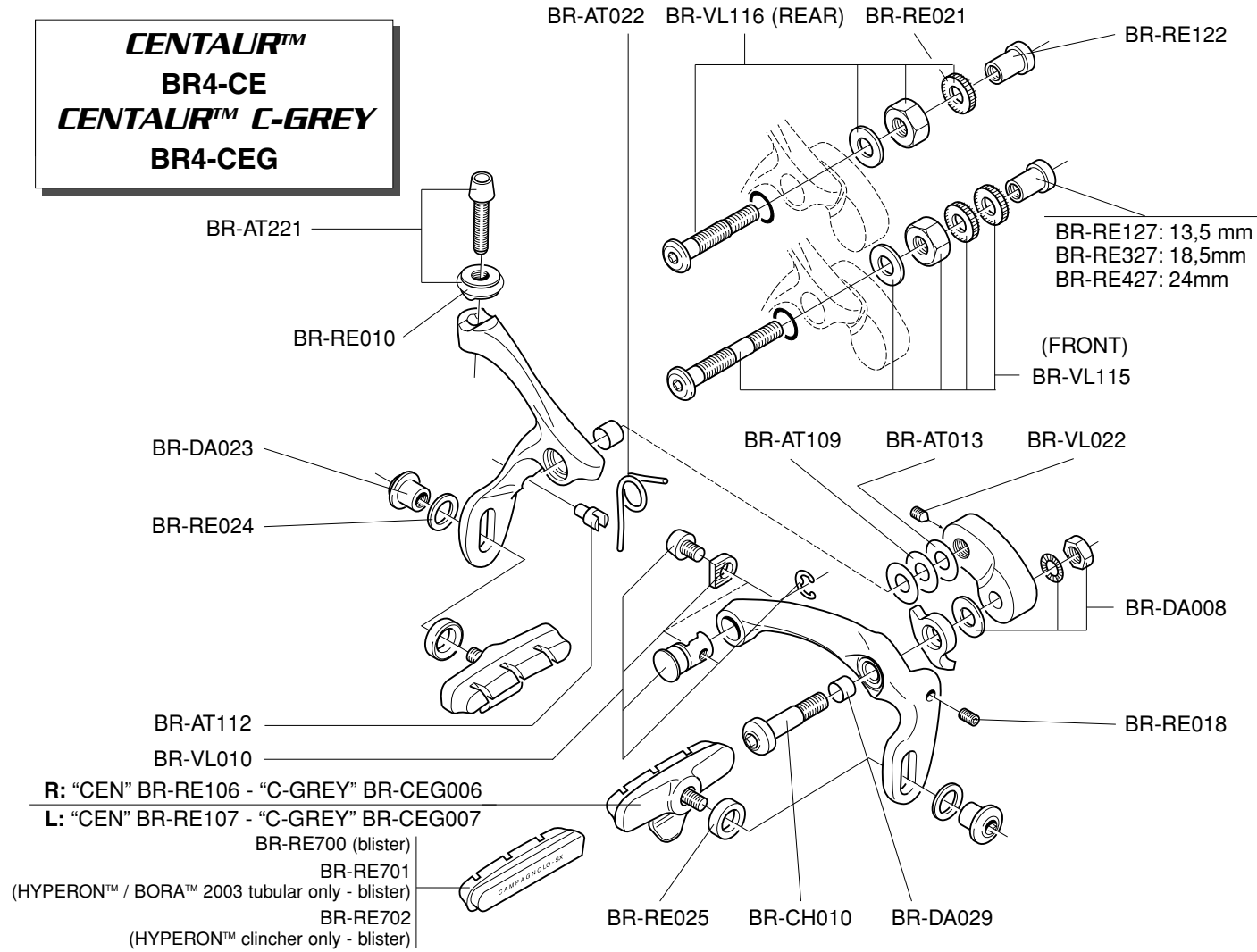
R: "black" BR-RE206 - "silver" BR-RE106

L: "black" BR-RE207 - "silver" BR-RE107

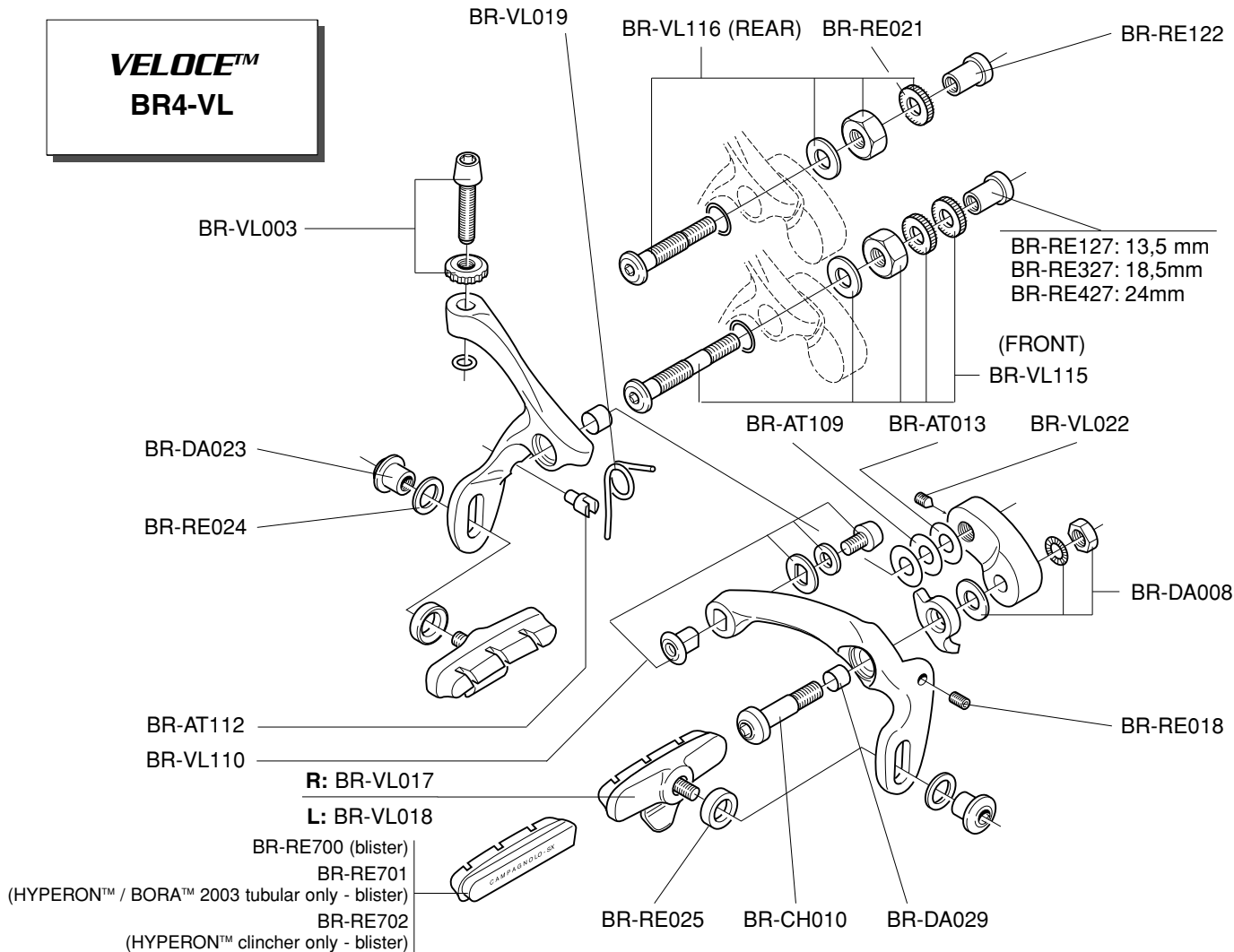
CHORUS™-D BR4-CHD



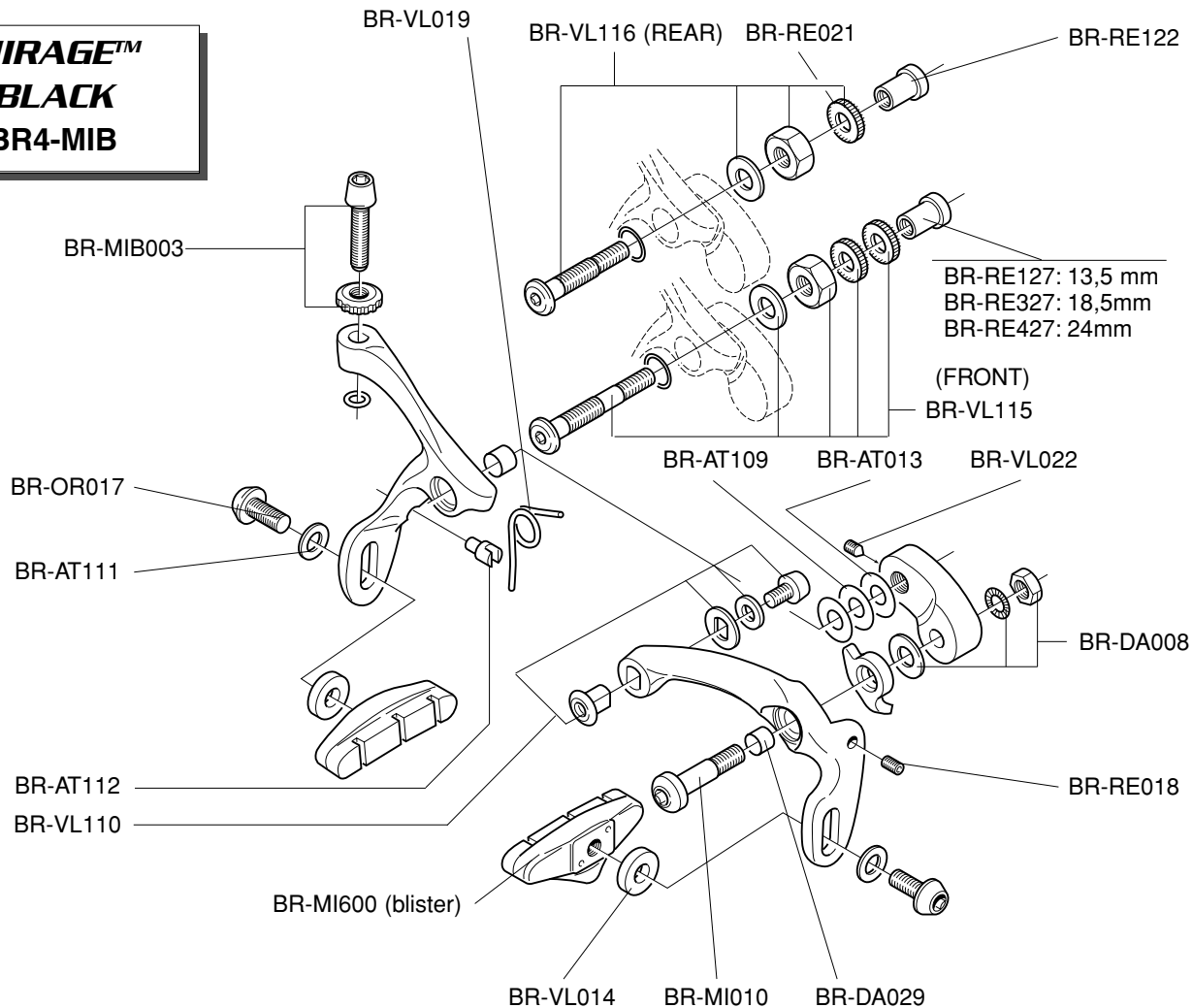
CENTAUR™
BR4-CE
CENTAUR™ C-GREY
BR4-CEG



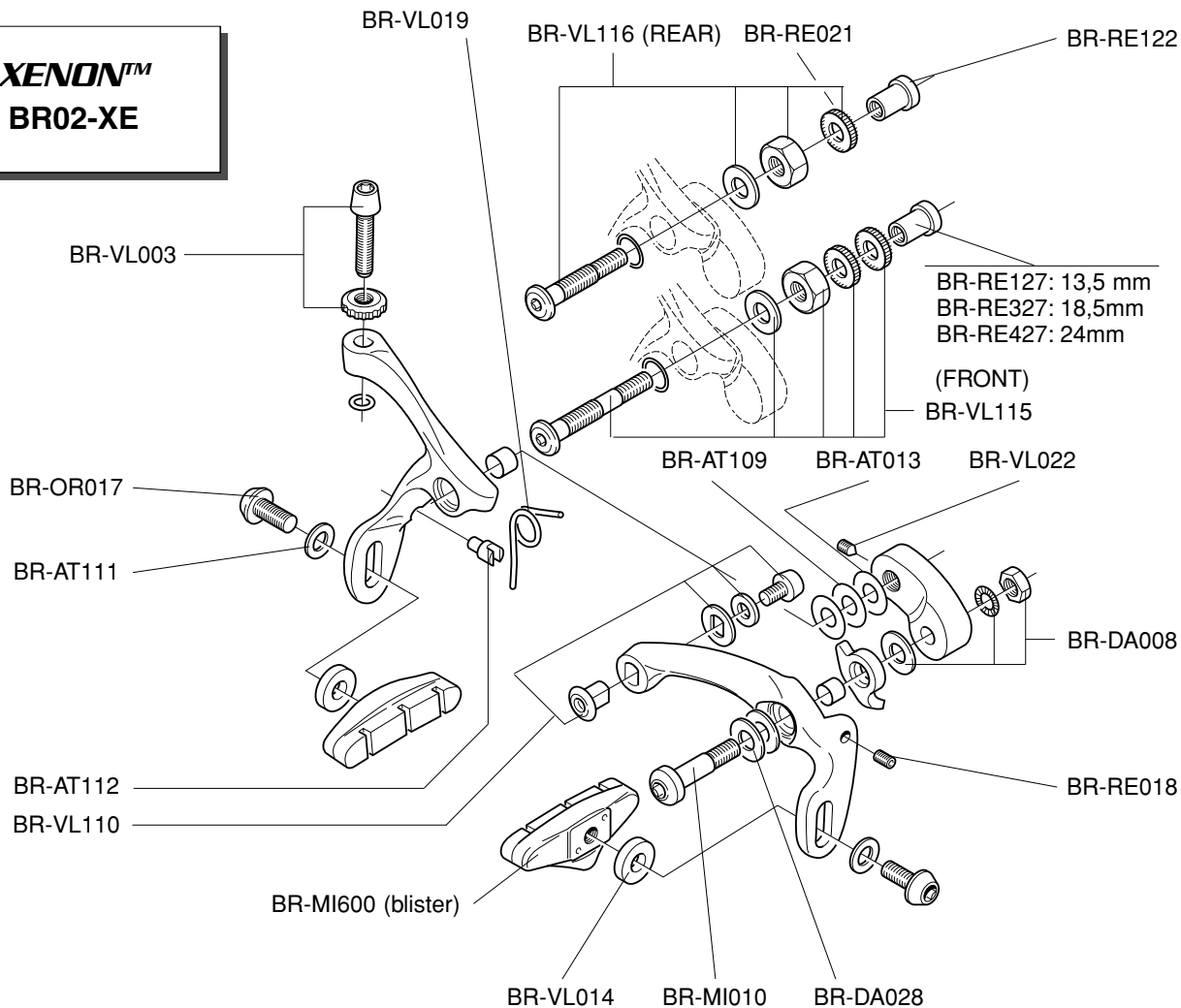
VELOCE™ BR4-VL



**MIRAGE™
BLACK
BR4-MIB**



XENON™
BR02-XE



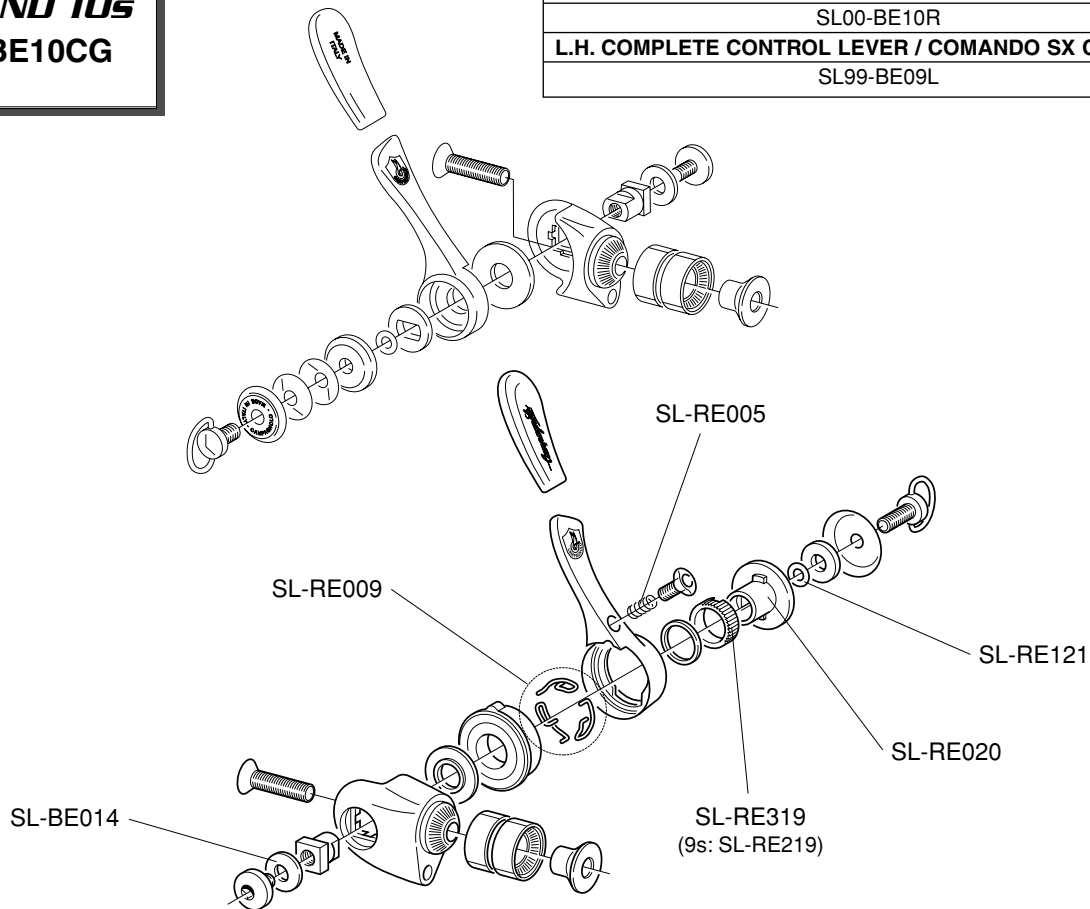
BAR-END 10s
SL00-BE10CG

R.H. COMPLETE CONTROL LEVER / COMANDO DX COMPLETO

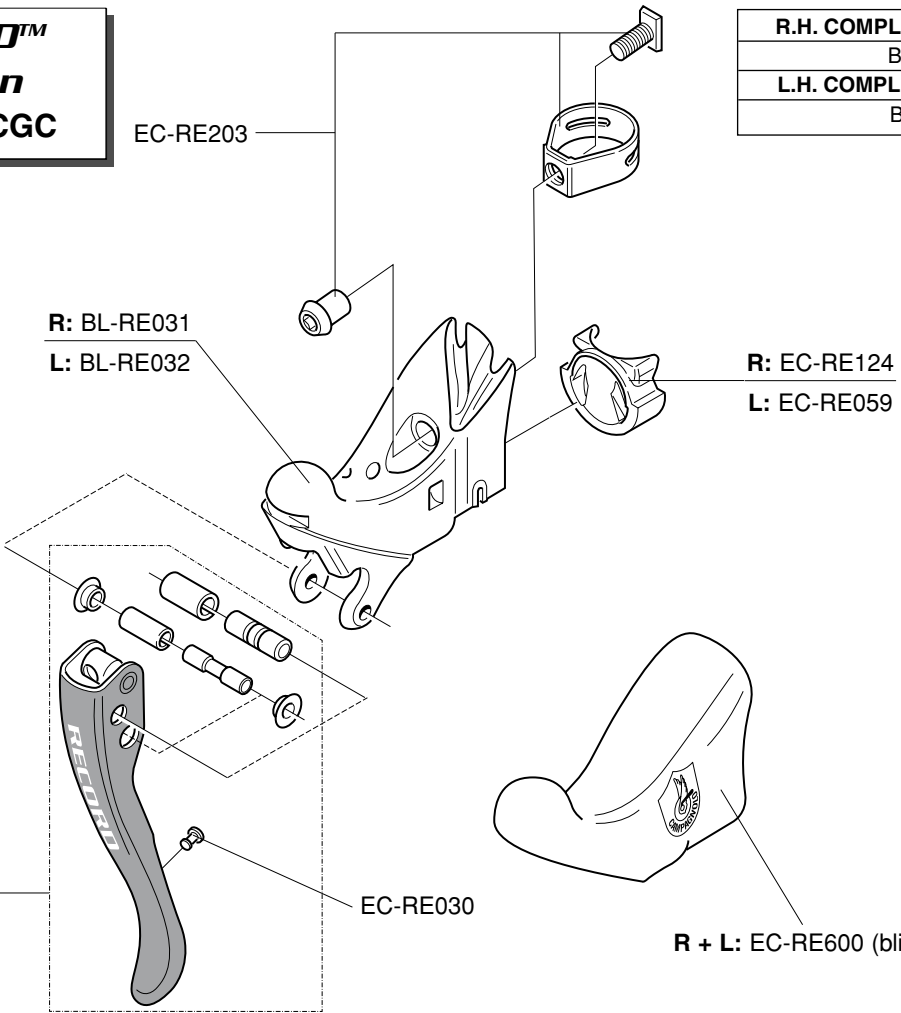
SL00-BE10R

L.H. COMPLETE CONTROL LEVER / COMANDO SX COMPLETO

SL99-BE09L

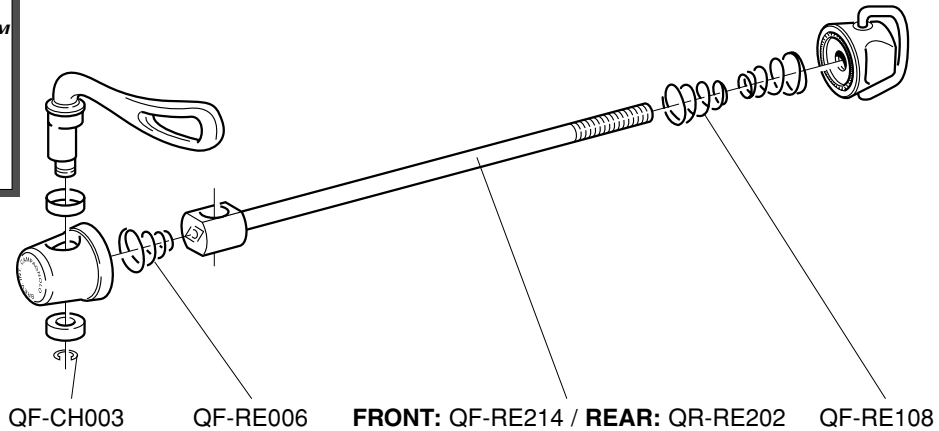


RECORD™
Carbon
BL01-RECGC

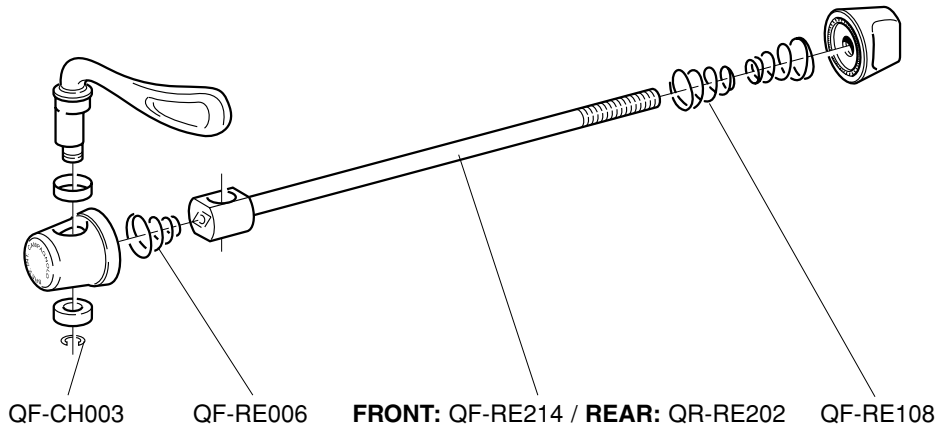


R.H. COMPLETE / DX COMPLETO
BL01-RECR
L.H. COMPLETE / SX COMPLETO
BL01-RECL

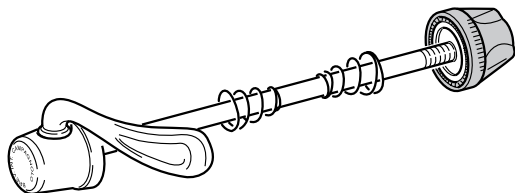
RECORD™
BORA™ - EURUS™ - GHIBLI™
HYPERON™ - NEUTRON™
 front: QF-RE121
 rear: QR-RE121



CHORUS™
 front: QF-CH111
 rear: QR-CH111

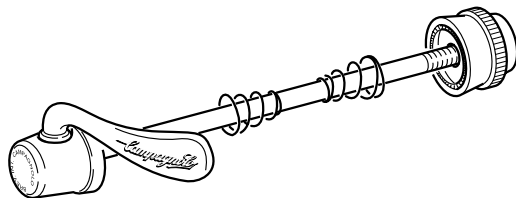


CENTAUR™
PROTON™
ZONDA™



FRONT: QF-AT101
REAR: QR-AT101

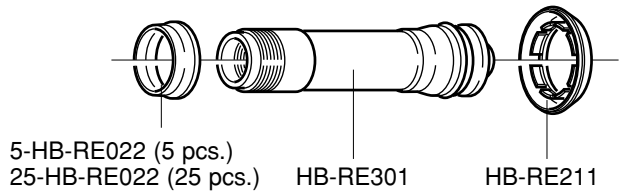
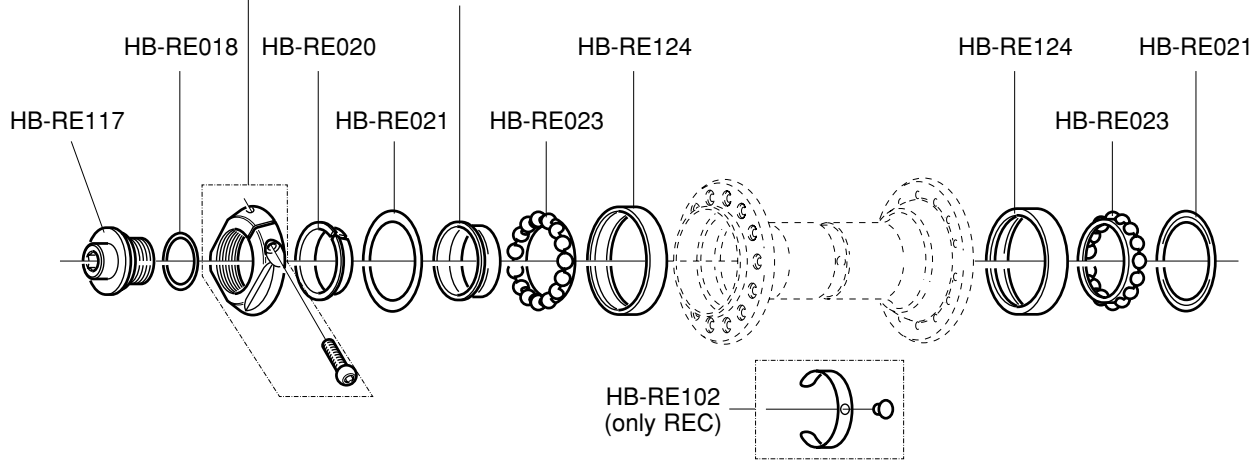
VELOCE™
SCIROCCO™
VENTO™



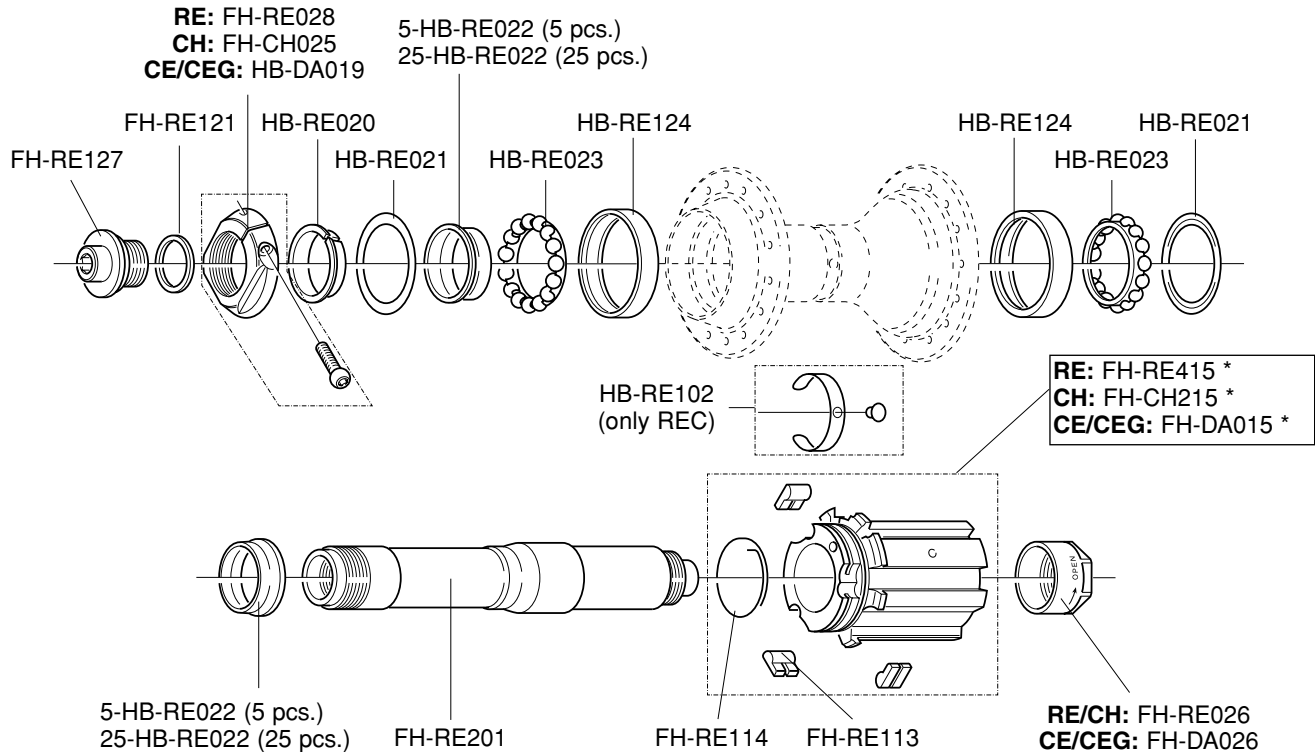
FRONT: QF-VL001
REAR: QR-VL001

RECORD™ HB02-RE..
CHORUS™ HB02-CH..
CENTAUR™ HB02-CE..
CENTAUR™ CENTURY GREY™ HB4-CEG.

RE/CH: HB-RE019 5-HB-RE022 (5 pcs.)
 CE/CEG: HB-DA019 25-HB-RE022 (25 pcs.)

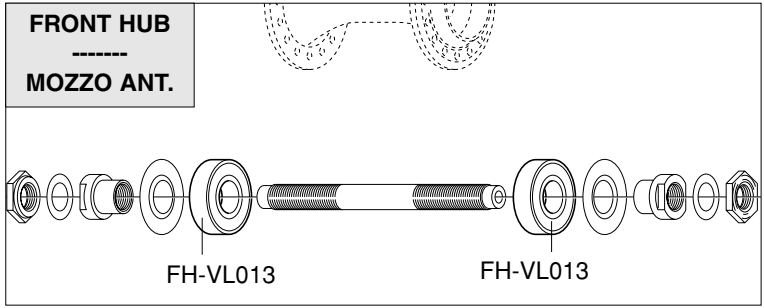


RECORD™ 9s/10s FH02-RE..
CHORUS™ 9s/10s FH02-CH..
CENTAUR™ 9s/10s FH02-CE..
CENTAUR™ CENTURY GREY™ 9s/10s FH4-CE.



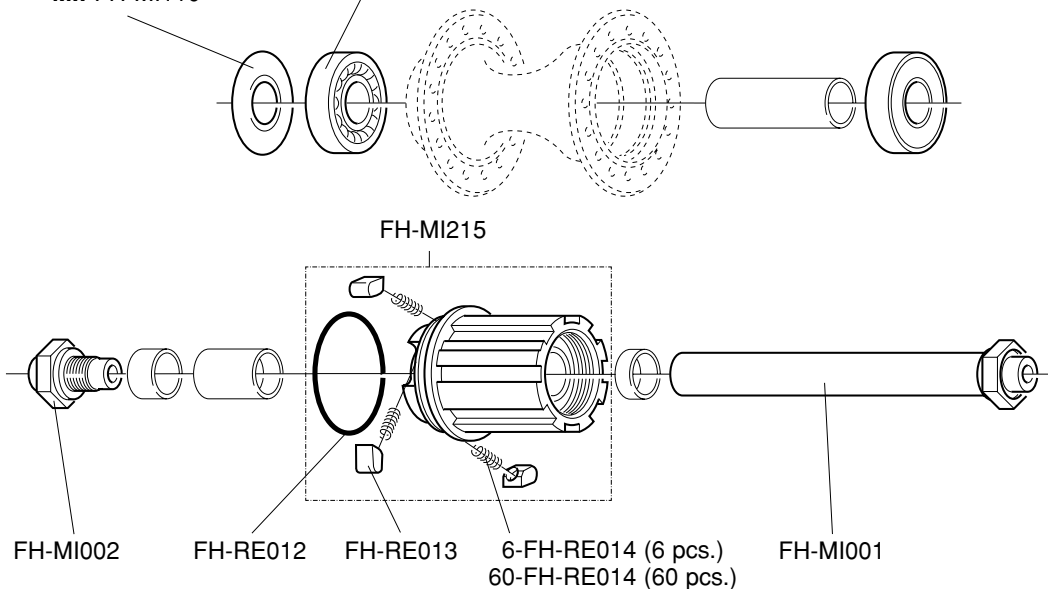
* HyGI 8/9 type FW body / corpetto RL tipo HyGI 8/9: **WH-KX1** (RECORD™ type) **WH-KX2** (CHORUS™ type)

VELOCE™ 9s/10s FH02-VL..
MIRAGE™ 9s FH4-MIB.



VL: FH-VL010
MI: FH-MI110

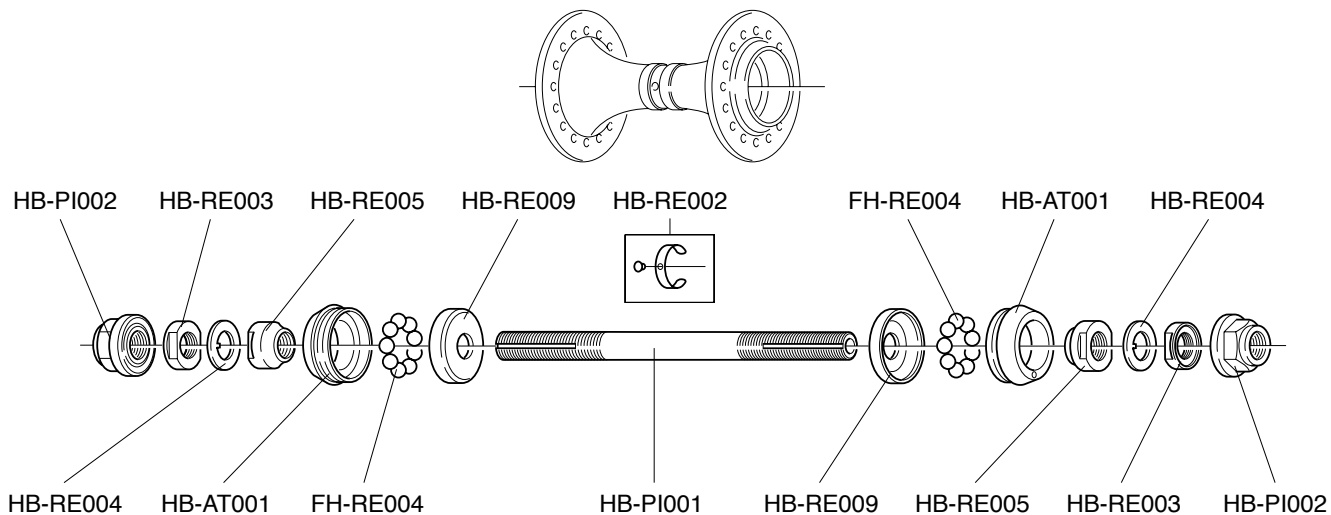
FH-MI113



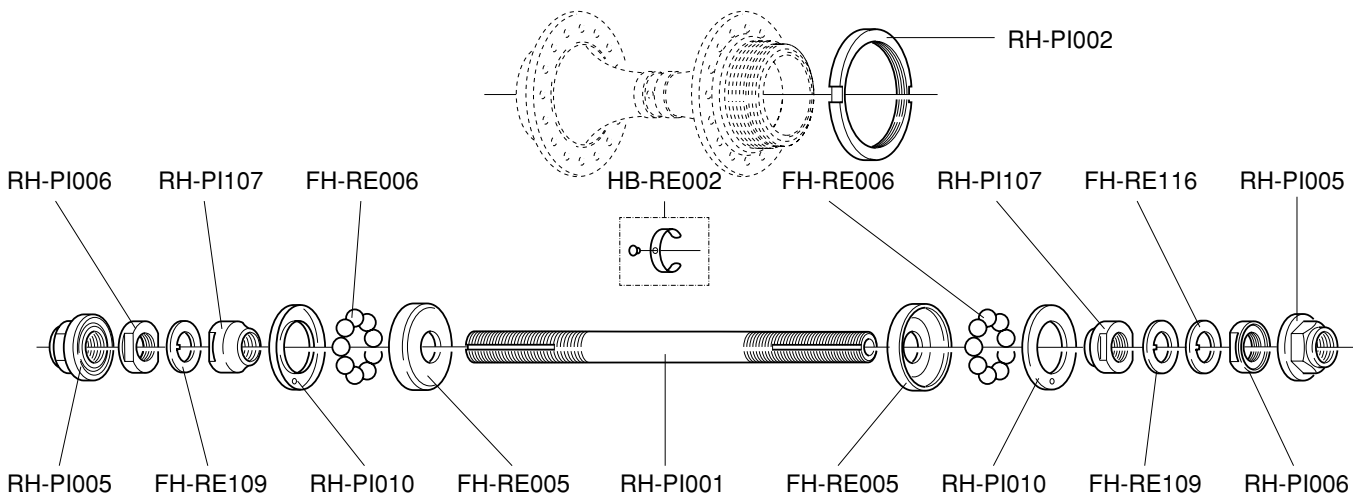
REAR HUB

FRONT HUB

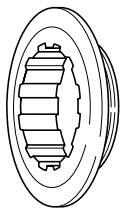
RECORD™
PISTA
HB02-REPI..



**RECORD™
PISTA
FH02-REPI..**



**ECROUS
VERSCHLUSSRING**



**GHIERE
LOCKRINGS**

CODE CODICE	TYPE TIPO		RANGE GAMMA	HUB COMPATIBILITY COMPATIBILITÀ MOZZI
CS-401	<i>9s / 10s</i> "oversize" thread/fil.: 27 x 1	steel / acciaio	2000 e succ. 2000 and following	all groups / tutti i gruppi all wheels / tutte le ruote
			1999	™RECORD™ - CHORUS all wheels / tutte le ruote
CS-501	<i>9s / 10s</i> "oversize" thread/fil.: 27 x 1	steel / acciaio (for Z. 11)	2000 e succ. 2000 and following	all groups / tutti i gruppi all wheels / tutte le ruote
			1999	RECORD™ - CHORUS™ all wheels / tutte le ruote
CS-101T	<i>9s / 10s</i> "oversize" thread/fil.: 27 x 1	titanium / titanio	2000 e succ. 2000 and following	all groups / tutti i gruppi all wheels / tutte le ruote
			1999	RECORD™ - CHORUS™ all wheels / tutte le ruote
CS-201	<i>9s</i> thread/fil.: 26 x 1	steel / acciaio	1999	ATHENA - VELOCE™ - MIRAGE™
			1998 / 1997	9s groups / gruppi 9s 9s wheels / ruote 9s
CS-001T	<i>9s</i> thread/fil.: 26 x 1	titanium / titanio	1999	ATHENA - VELOCE™ - MIRAGE™
			1998 / 1997	9s groups / gruppi 9s 9s wheels / ruote 9s '97 8s aluminum FW body / corpetto RL in alluminio 8s '97
CS-001V	<i>8s</i> thread/fil.: 29 x 1	steel / acciaio	1999 e prec. 1999 and previous	all 8s hubs (with steel FW body) tutti i mozzi 8s (con corpetto TL in acciaio)

RECORD™
UD 10s
CSK00-RE10..

DISTANZIALI / SPACERS

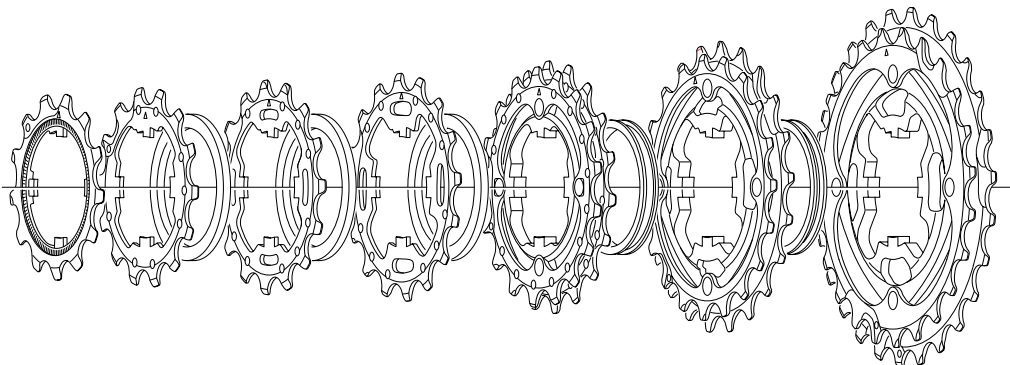
F = CS-601

G = CS-602

H = CS-603

I = CS-604

L = CS-605



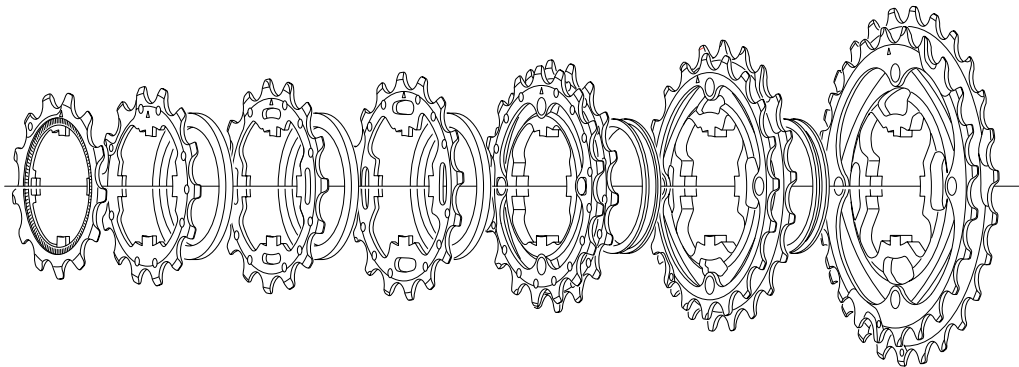
11 - 21	11A-1° 9S-011	12A-2° 10S-022		13A 10S-131	F	14A 10S-141	F	15A 10S-151	F	16A 10S-161	G	17A-18C* 10S-78CT	H	19C-21C* 10S-91CT
11 - 23	11A-1° 9S-011	12A-2° 10S-022		13A 10S-131	F	14A 10S-141	F	15A 10S-151	F	16A 10S-161	G	17A-19A* 10S-79AT	H	21A-23A* 10S-13AT
12 - 23	12A-1° 10S-012	13A 10S-131	F	14A 10S-141	F	15A 10S-151	F	16A 10S-161	I	17A 10S-171	G	18A-19A* 10S-89AT	H	21A-23A* 10S-113AT
12 - 25	12A-1° 10S-012	13A 10S-131	F	14A 10S-141	F	15A 10S-151	F	16A-17A* 10S-67A	I	19A-21A* 10S-91AT	L	23A-25A* 10S-35AT		
13 - 26	13A-1° 10S-013	14A 10S-141	F	15A 10S-151	F	16A 10S-161	F	17A-18C* 10S-78C	I	19C-21C* 10S-91CT	L	23C-26C* 10S-36CT		
13 - 29	13A-1° 10S-013	14A 10S-141	F	15A 10S-151	F	16A 10S-161	F	17A-19A* 10S-79A	I	21A-23A* 10S-13AT	L	26A-29A* 10S-69AT		

* pre-assembled

**RECORD™ UD
TITANIUM 10s
CSK00-RE10..T**

DISTANZIALI / SPACERS

F = CS-601
G = CS-602
H = CS-603
I = CS-604
L = CS-605

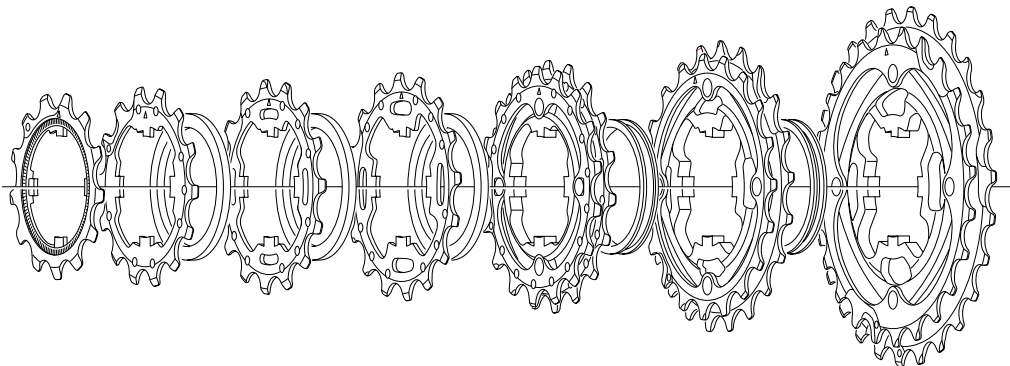


11 - 23	11A-1° 9S-011	12A-2° 10S-022T		13A 10S-131T	F	14A 10S-141T	F	15A 10S-151T	F	16A 10S-161T	G	17A-19A* 10S-79AT	H	21A-23A* 10S-13AT
12 - 25	12A-1° 10S-012T	13A 10S-131T	F	14A 10S-141T	F	15A 10S-151T	F	16A-17A* 10S-67AT	I	19A-21A* 10S-91AT	L	23A-25A* 10S-35AT		
13 - 26	13A-1° 10S-013T	14A 10S-141T	F	15A 10S-151T	F	16A 10S-161T	F	17A-18C* 10S-78CT	I	19C-21C* 10S-91CT	L	23C-26C* 10S-36CT		

* pre-assembled

CHORUS™
UD 10s
CSK00-CH10..

DISTANZIALI / SPACERS
F = CS-601
G = CS-602
H = CS-603
I = CS-604
L = CS-605



11 - 23	11A-1° 9S-011	12A-2° 10S-022		13A 10S-131	F	14A 10S-141	F	15A 10S-151	F	16A 10S-161	G	17A-19A* 10S-79A	H	21A-23A* 10S-13A
12 - 25	12A-1° 10S-012	13A 10S-131	F	14A 10S-141	F	15A 10S-151	F	16A-17A* 10S-67A	I	19A-21A* 10S-91A	L	23A-25A* 10S-35A		
13 - 26	13A-1° 10S-013	14A 10S-141	F	15A 10S-151	F	16A 10S-161	F	17A-18C* 10S-78C	I	19C-21C* 10S-91C	L	23C-26C* 10S-36C		
13 - 29	13A-1° 10S-013	14A 10S-141	F	15A 10S-151	F	16A 10S-161	F	17A-19A* 10S-79A	I	21A-23A* 10S-13A	L	26A-29A* 10S-69A		

* pre-assembled

CENTAUR™
UD 10s
CS4-CEX..

DISTANZIALI / SPACERS

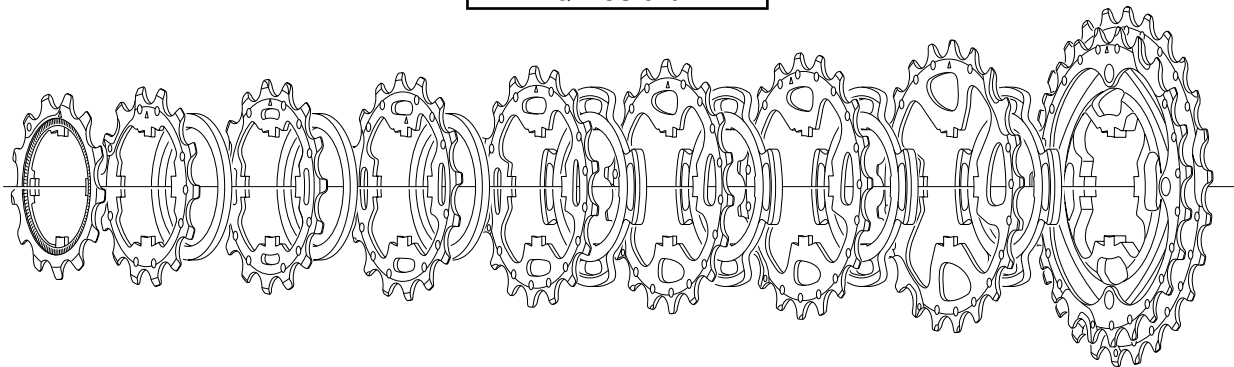
G = CS-602

M = CS-606

N = CS-607

O = CS-609

Q = CS-610



11 - 23	11A-1° 9S-011	12A-2° 10S-022		13A 10S-131	Q	14A 10S-141	Q	15A 10S-151	Q	16A 10S-161	G	17A 10S-171	N	19A 10S-191	M	21A-23A* 10S-13A
12 - 25	12A-1° 10S-032	13A 10S-131	Q	14A 10S-141	Q	15A 10S-151	Q	16A 10S-161	Q	17A 10S-171	O	19A 10S-191	N	21A 10S-211	M	23A-25A* 10S-35A
13 - 26	13A-1° 10S-023	14A 10S-141	Q	15A 10S-151	Q	16A 10S-161	Q	17A 10S-171	N	18C 10S-183	O	19C 10S-193	N	21C 10S-213	M	23C-26C* 10S-36C
13 - 29	13A-1° 10S-023	14A 10S-141	Q	15A 10S-151	Q	16A 10S-161	Q	17A 10S-171	N	19A 10S-191	O	21A 10S-211	N	23A 10S-231	M	26A-29A* 10S-69A

* pre-assembled

VELOCE™ UD 10s
CS4-VLX..

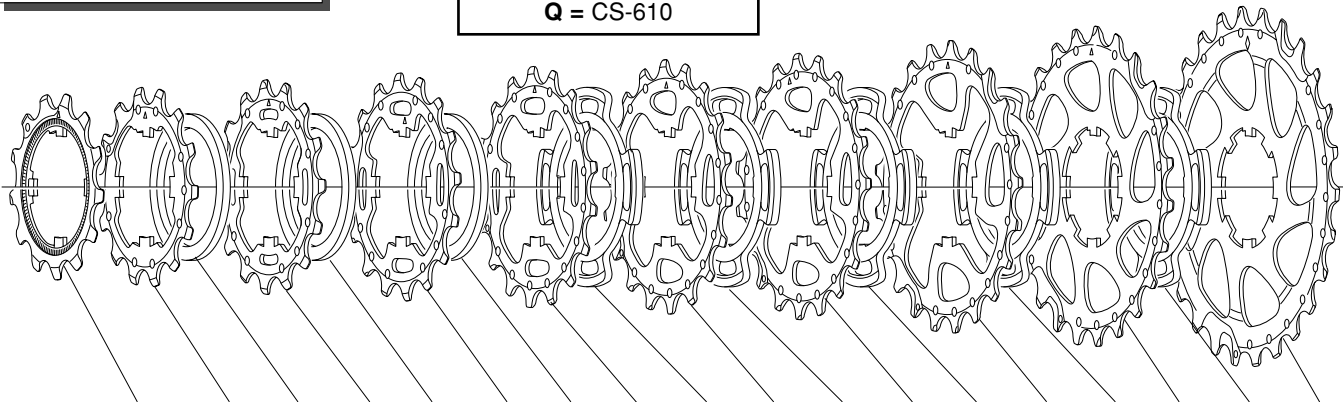
DISTANZIALI / SPACERS

N = CS-607

O = CS-609

P = CS-608

Q = CS-610



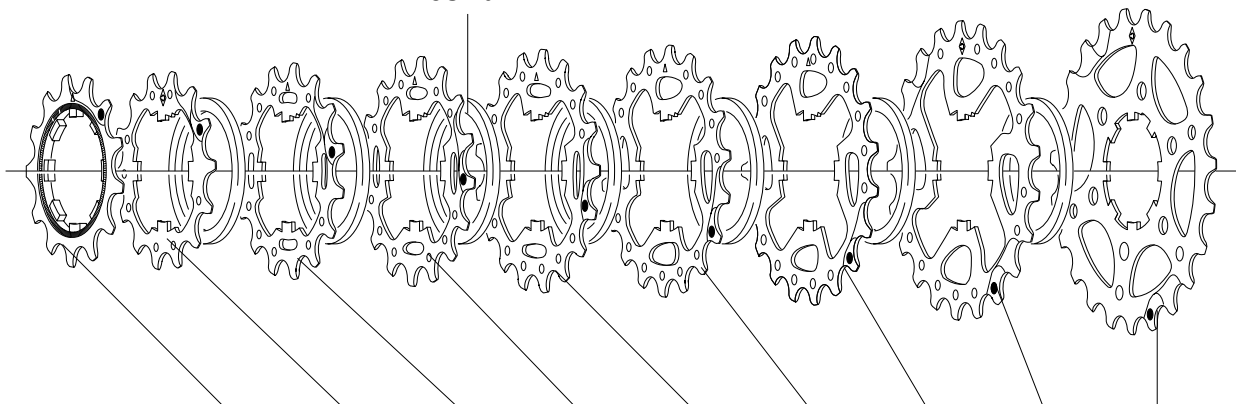
12 - 23	12A-1° 10S-032	13A 10S-131	Q	14A 10S-141	Q	15A 10S-151	Q	16A 10S-161	N	17A 10S-171	O	18C 10S-183	N	19C 10S-193	N	21C 10S-213	P	23C 10S-233
12 - 25	12A-1° 10S-032	13A 10S-131	Q	14A 10S-141	Q	15A 10S-151	Q	16A 10S-161	N	17A 10S-171	O	19A 10S-191	N	21A 10S-211	N	23A 10S-231	P	25A 10S-251
13 - 26	13A-1° 10S-023	14A 10S-141	Q	15A 10S-151	Q	16A 10S-161	Q	17A 10S-171	N	18C 10S-183	O	19C 10S-193	N	21C 10S-213	N	23C 10S-233	P	26C 10S-263
13 - 29	13A-1° 10S-023	14A 10S-141	Q	15A 10S-151	Q	16A 10S-161	Q	17A 10S-171	N	19A 10S-191	O	21A 10S-211	N	23A 10S-231	N	26A 10S-261	P	29A 10S-291
14 - 23	14A-1° 10S-014	15A 10S-151	Q	16A 10S-161	Q	17A 10S-171	Q	18C 10S-183	N	19C 10S-193	O	20D 10S-204	N	21D 10S-214	N	22D 10S-224	P	23D 10S-234

SPROCKETS

VELOCE™ UD 9s
CS01-EC09..

MIRAGE UD 9s compatible

CS-102



12 - 23	12A-1° 9S-113	13A 9S-131	14A 9S-141	15A 9S-151	16A 9S-161	17A 9S-171	19A 9S-191	21A 9S-211	23A 9S-231
13 - 23	13A-1° 9S-114	14A 9S-141	15A 9S-151	16A 9S-161	17A 9S-171	18C 9S-183	19C 9S-193	21C 9S-213	23C 9S-233
13 - 26	13A-1° 9S-114	14A 9S-141	15A 9S-151	16A 9S-161	17A 9S-171	19A 9S-191	21A 9S-211	23A 9S-231	26A 9S-261
13 - 28	13B-1° 9S-015	14B 9S-142	15B 9S-152	17B 9S-172	19A 9S-191	21A 9S-211	23A 9S-231	25A 9S-251	28A 9S-281
14 - 28	14A-1° 9S-016	15A 9S-151	16A 9S-161	17A 9S-171	19A 9S-191	21A 9S-211	23A 9S-231	25A 9S-251	28A 9S-281

RECORD™
PRO-FIT PLUS™
PD01-RE

CHORUS™
PRO-FIT PLUS™
PD01-CH

CENTAUR™
PRO-FIT PLUS™
PD02-CE

RECORD™	R	PD-RE303
	L	PD-RE304

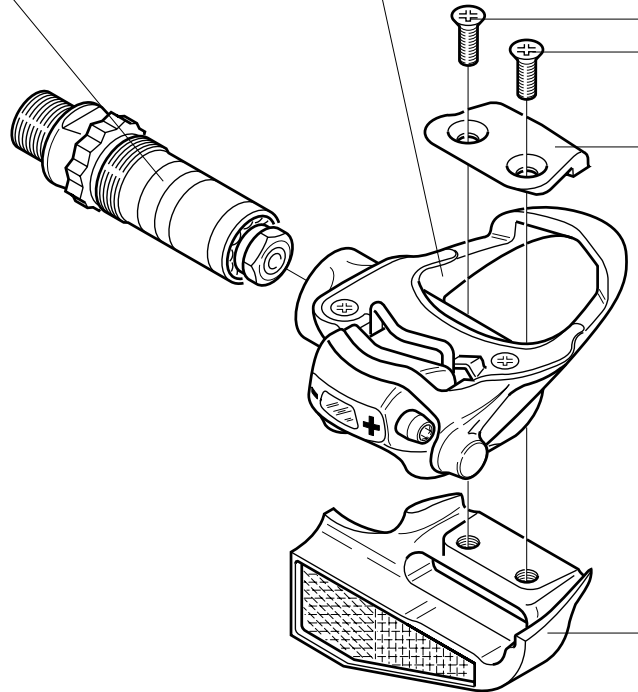
CHORUS™	R	PD-CH303
	L	PD-CH304

CENTAUR™	R	PD-DA003
	L	PD-DA004

RECORD™	R	PD-RE301
	L	PD-RE302

CHORUS™	R	PD-CH301
	L	PD-CH302

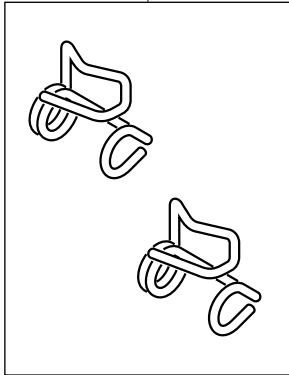
CENTAUR™	R	PD-CE001
	L	PD-CE002



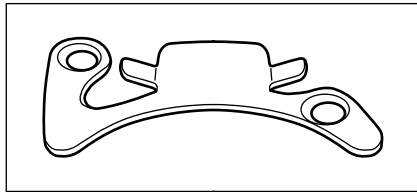
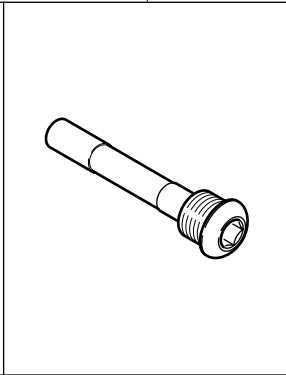
PD-RE108
(2 pcs.)

**PRO-FIT™ /
PRO-FIT PLUS™
SPARE PARTS**

R + L: PD-RE105

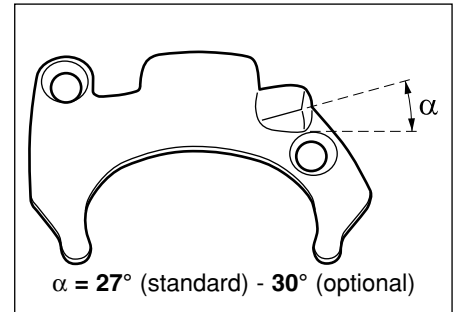
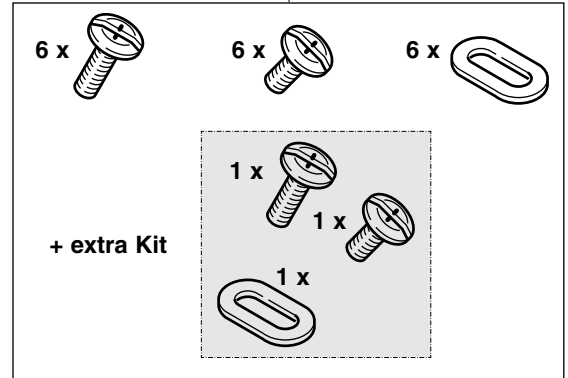


PD-RE107



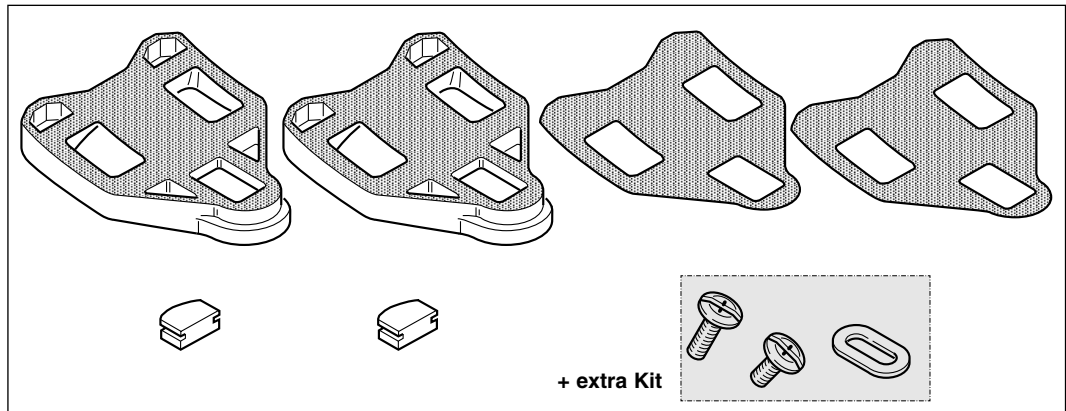
**PRO-FIT™
PD-RE111**

PD-RE116



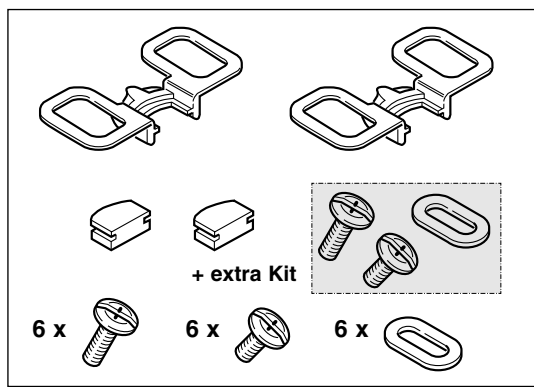
PRO-FIT PLUS™
PD-RE110: standard - 27°
PD-RE109: HRE - optional - 30°

**PRO-FIT™ /
PRO-FIT PLUS™
SPARE PARTS**



**FLOATING CLEATS
PD-RE020**

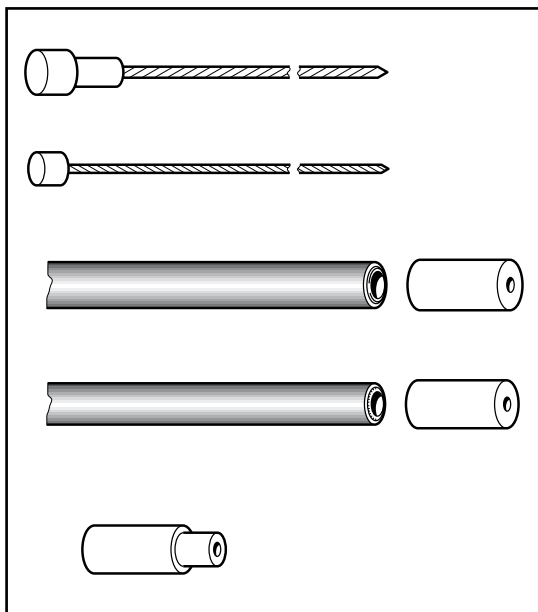
**FIXED CLEATS
PD-RE021**



PD-RE200

CABLES & CASINGS

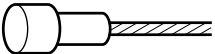


complete sets







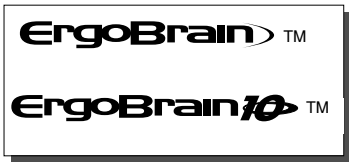
<p>ERGOPOWER</p>	<p>CG-ER500 *</p> <p>CG-ER201BP (240 pcs. / pz.)</p>	
<p>TRADITIONAL</p>	<p>Brakes</p>	<p>CG-BR201</p>
	<p>Derailleurs</p>	<p>CG-DD201</p>

* incl. brake housing ferrules / incl. capi guaina

CABLES & CASINGS SPARE PARTS

		FRONT	REAR
BRAKES		Ø 1,6 mm L. 800 mm CG-CB003	Ø 1,6 mm L. 1600 mm 10-CG-CB013 (10 pcs.) - 50-CG-CB013 (50 pcs.)
		Ø 5 mm L. 580 mm CG-CS014	Ø 5 mm L. 1250 mm CG-CS002
		Ø 6 mm CG-CS011 (not sealed / senza guarnizione)	

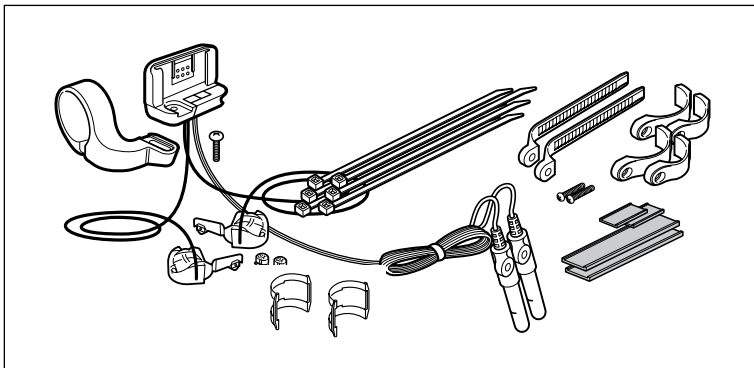
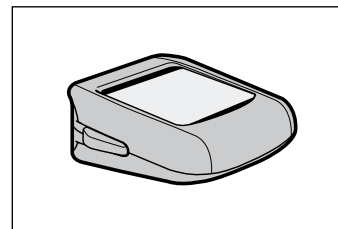
DERAILLEURS	 Ø 1,2 mm	ERGOPOWER	L. 1600	CG-CB014
		ERGOPOWER	L. 2000	10-CG-CB009 (10 pcs.) - 50-CG-CB009 (50 pcs.)
		SHIFTING LEVERS	L. 830	CG-CB011
		SHIFTING LEVERS	L. 1600	CG-CB014
	 Ø 4,5 mm	ERGOPOWER	L. 680	CG-CS015
		ERGOPOWER	L. 330	CG-CS008
		Ø 5,7 mm CG-CS012 (sealed / con guarnizione)		
		Ø 5,7/4 mm CG-CS013 (sealed / con guarnizione)		



MAIN UNIT / SOLO COMPUTER

ErgoBrain10™ CI03-EB10C3

(triple compatible)



ASSEMBLY KIT /

KIT D'INSTALLAZIONE

ErgoBrain™ CI00-EB09B1

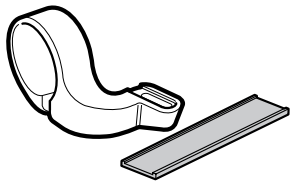
(for 9s drivetrain / per trasmissione 9s)

ErgoBrain10™ CI00-EB10B2

(for 10s drivetrain / per trasmissione 10s)

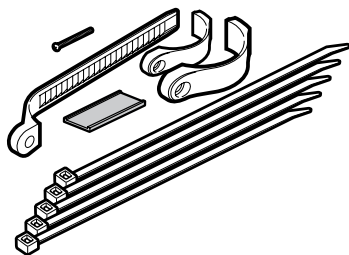
ErgoBrain™

ErgoBrain10™



31,7 mm arm / fascetta 31,7 mm

CI-EB001



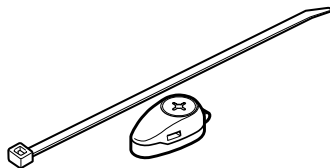
Sensor attachment / fascetta sensori

CI-EB002



push buttons / copripulsanti

CI-EB009



CDC magnet / magnete cadenza

CI-EB003



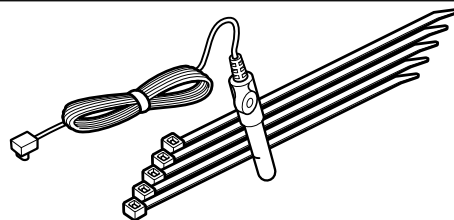
CDC PRO-FIT pedal magnet /
magnete cadenza pedale PRO-FIT

CI-EB004



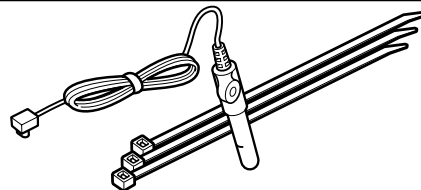
SPD magnet / magnete velocità

CI-EB008



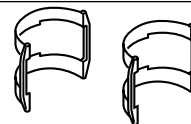
CDC sensor / sensore cadenza

CI-EB006



SPD sensor / sensore velocità

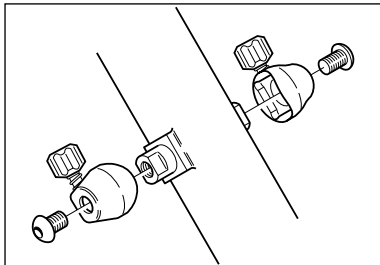
CI-EB007



spacers / distanziali

CI-EB010

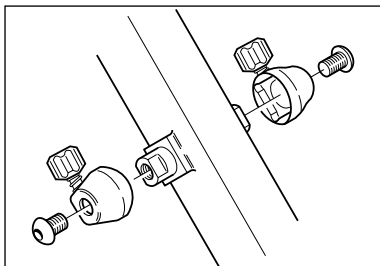
**ERGOPOWER™
ERGOPOWER™ FB
CASING RETAINER CLAMPS**



FOR ROUND DOWN TUBE

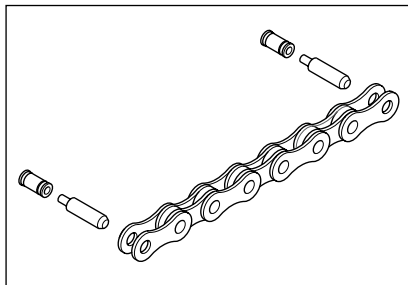
Aluminum: **EC-RE001**

Resin: **EC-AT001**



FOR FLAT DOWN TUBE

Resin: **EC-AT002**



CN-RE200 *HD-Link™*

for C10™ chains

CN-RE300

HD-Link™ Ultra

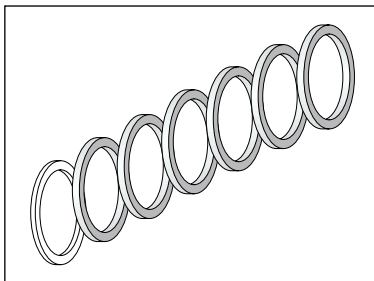
for C10™ Ultra chains



LB-1CN

SUPERLATIVE™

chain lubricant



KIT-03

Transforms a Veloce™ 9s sprocket
set into a 8s cassette.

Only for 9s/10s hub/wheels.

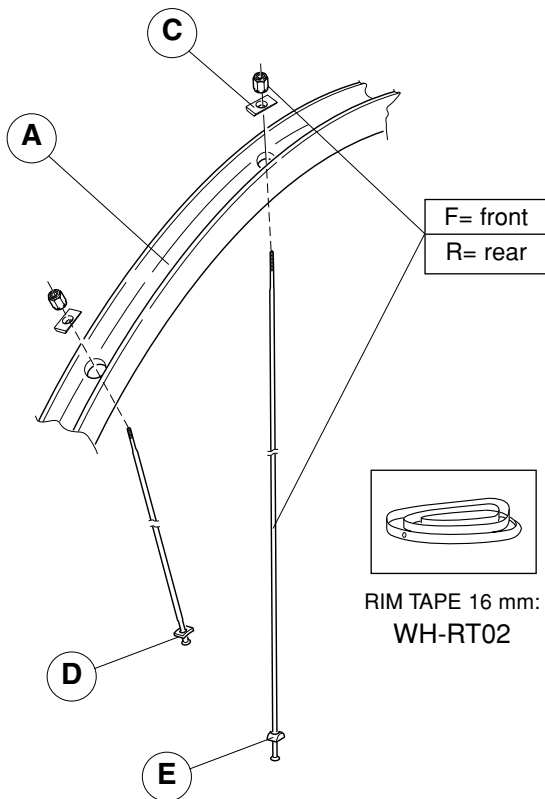


WB-100

Bag for 1 wheel.

RD-RE700	rotelline cambio 10s (8,4 mm)	10s (8,4 mm) rear derailleur pulleys	jeu de galets dérail. arr. 10s (8,4 mm)
RD-RE600	rotelline cambio 9s (8,8 mm)	9s (8,8 mm) rear derailleur pulleys	jeu de galets dérail. arr. 9s (8,8 mm)
RD-RE500	rotelline cambio 8s (9,8 mm)	8s (9,8 mm) rear derailleur pulleys	jeu de galets dérail. arr. 8s (9,8 mm)
EC-RE600	coprisupporti EP dx + sx "new style"	right + left EP rubber hoods (new style)	repose-main EP droit + gauche "new style"
EC-RE500	coprisupporti EP dx + sx "old style"	right + left EP rubber hoods (old style)	repose-main EP droit + gauche "old style"
BR-RE701	pattini freno per ruote HYPERON™ e BORA™ 2003 tubolare	brake pads for HYPERON™ and BORA™ 2003 tubular wheels	patins de frein roues HYPERON™ et BORA™ 2003 boyaux
BR-RE702	pattini freno per ruote HYPERON™ copertoncino	brake pads for HYPERON™ clincher wheels	patins de frein roues HYPERON™ pneus étroits
BR-RE700	pattini freno	brake pads	patins de frein
BR-RE600	pattini freno	brake pads	patins de frein
BR-MI600	pattini freno compl.	compl. brake pads	patins de frein compl.
BL-RE500	coprisupporti tradizionali dx + sx (gamma 2000 e prec.)	r + l traditional rubber hoods (2000 range and prev.)	repose-main trad. droit + gauche (gamme 2000 et préc.)
PD-RE020	tacchette pedali (con gioco)	self-aligning pedal cleats	plaques avec jeu pour pédales
PD-RE021	tacchette pedali (senza gioco)	fixed pedal cleats	plaques sans jeu pour pédales
PD-RE200	denti d'aggancio pedali + viti	pedal engaging hooks + screws	dispositifs d'accrochage pédales + vis
PD-RE116	viti fissaggio tacchette pedali	pedal cleats fixing screws	vis fixation plaques pédales
CG-ER500	cavi e guaine EP (con capi-guaina)	EP cables and casings (with brake housing ferrules)	câbles et gaines EP (avec butée de gaines)
CN-RE200	HD-LINK™ per catene C10™	HD-LINK™ for C10™ chains	HD-LINK™ pour chaîne C10™
CN-RE300	HD-LINK™ per catene C10™ Ultra	HD-LINK™ for C10™ Ultra chains	HD-LINK™ pour chaîne C10™ Ultra

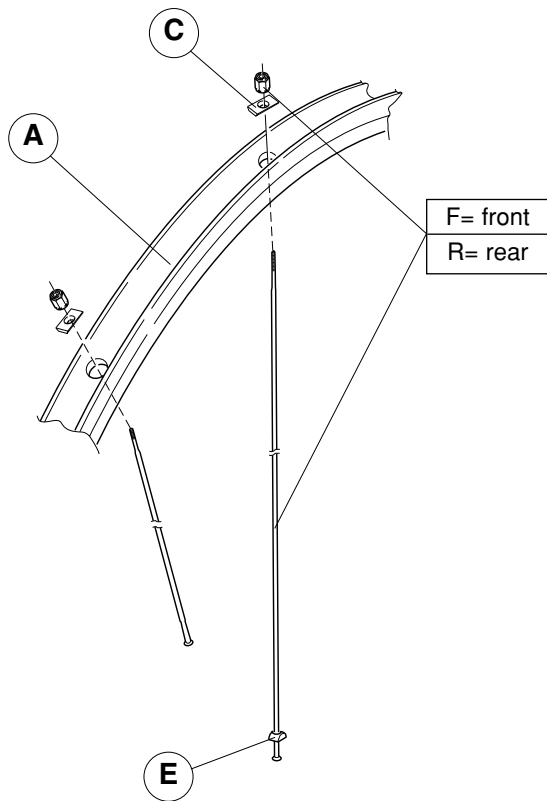
**HYPERON Ultra /
HYPERON
clincher
9s / 10s**



COMPLETE WHEELS	A	Compl. KIT	MINI-KIT
FRONT			
WH4-HYCFU clincher 28"	WH-003HYU	KIT-03HYU (24F+24C)	HYPERON ULTRA KIT-200HYU (2F+2R right +2R left+6C+2E)
WH4-HYCF clincher 28"	WH-003HY	KIT-03HY (24F+24C+24D)	
REAR			
WH4-HYCRU clincher 28"	WH-004HYU	KIT-04HYU (13R right+13R left+26C+13E)	HYPERON KIT-200HY (2F+2R right +2R left+6C+4D+2E)
WH4-HYCR WH4-HYCRX clincher 28"	WH-004HY	KIT-04HY (13R right+13R left+26C+13D+13E)	

COMPLETE WHEELS	F	R right	R left
WH4-HYCFU clincher 28"	L. 292 mm WH-005HYC (10 pcs.)		
WH4-HYCF clincher 28"	L. 292 mm WH-005HYC (10 pcs.)		
WH4-HYCRU clincher 28"		L. 292 mm WH-006HYC (10 pcs.)	L. 291 mm WH-007HYC (10 pcs.)
WH4-HYCR WH4-HYCRX clincher 28"		L. 292 mm WH-006HYC (10 pcs.)	L. 291 mm WH-008HYC (10 pcs.)

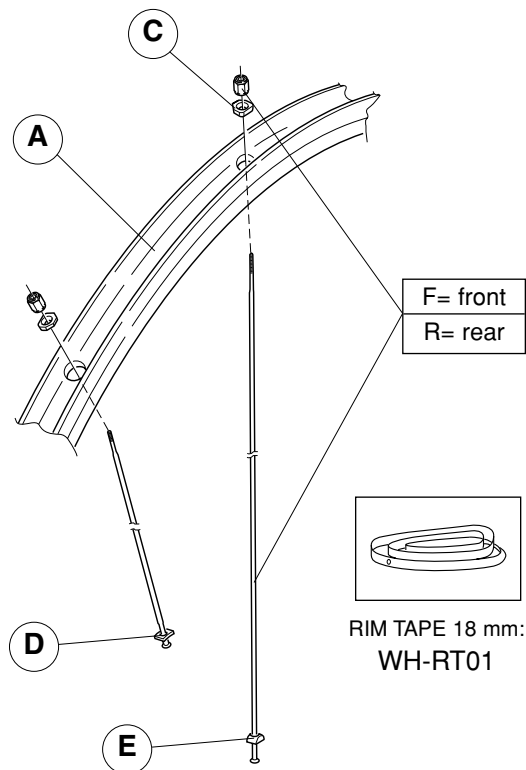
HYPERON
tubular
9s / 10s



COMPLETE WHEELS	A	Compl. KIT	MINI-KIT
FRONT			KIT-100HY (2F+2R right +2R left+6C+2E)
WH02-HYTF tubular 28"	WH-001HY	KIT-01HY (24F+24C)	
REAR			
WH02-HYTR WH02-HYTRX tubular 28"	WH-002HY	KIT-02HY (13R right+13R left+26C+13E)	

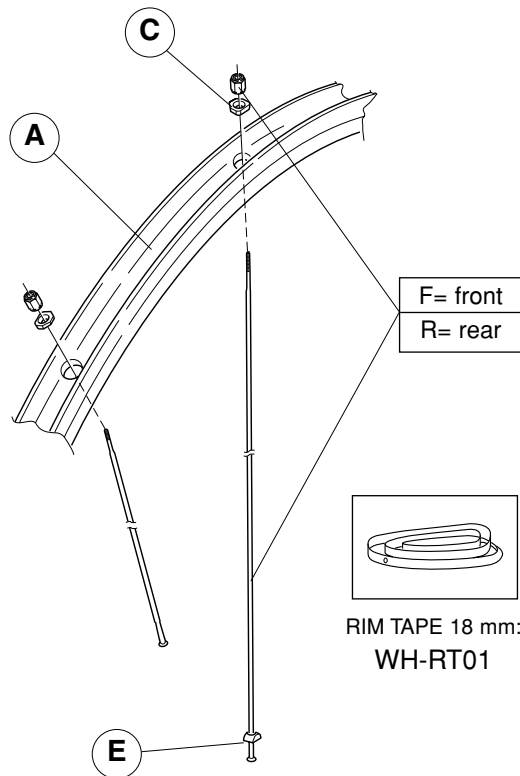
COMPLETE WHEELS	F	R right	R left
WH02-HYTF tubular 28"	L. 294,5 mm WH-005HYT (10 pcs.)		
WH02-HYTR WH02-HYTRX tubular 28"		L. 295 mm WH-006HYT (10 pcs.)	L. 294,5 mm WH-007HYT (10 pcs.)

NEUTRON 9s / 10s



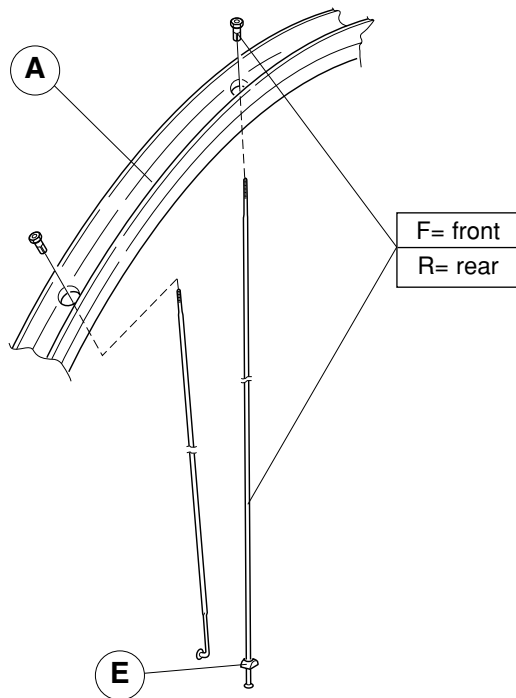
COMPLETE WHEELS	A	Compl. KIT	MINI-KIT
FRONT			
WH02-NETF tubular 28"	WH-001NE	KIT-01NE (24F+24C+24D)	<u>tubular</u> KIT-100NE (2F+2R right +2R left+6C+4D+2E)
WH4-NECF clinchner 28"	WH-103NE	KIT-03NE (24F+24C+24D)	
REAR			
WH02-NETR WH02-NETRX tubular 28"	WH-002NE	KIT-02NE (13R right+13R left+26C+13D+13E)	<u>clinchner</u> KIT-200NE (2F+2R right +2R left+6C+4D+2E)
WH4-NECR WH4-NECRX clinchner 28"	WH-104NE	KIT-04NE (13R right+13R left+26C+13D+13E)	
COMPLETE WHEELS	F	R right	R left
WH02-NETF tubular 28"	L. 296,5 mm WH-005NET (10 pcs.)		
WH4-NECF clinchner 28"	L. 294,25 mm WH-005NEC (10 pcs.)		
WH02-NETR WH02-NETRX tubular 28"		L. 299,5 mm WH-006NET (10 pcs.)	L. 296,5 mm WH-007NET (10 pcs.)
WH4-NECR WH4-NECRX clinchner 28"		L. 296,5 mm WH-006NEC (10 pcs.)	L. 294,75 mm WH-007NEC (10 pcs.)

**NEUTRON
CARBON HUB
9s / 10s**



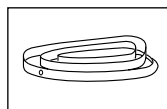
COMPLETE WHEELS	A	Compl. KIT	MINI-KIT
FRONT			
WH4-NECFC clincher 28"	WH-203NE	KIT-13NE (24F+24C)	KIT-400NE (2F+2R right +2R left+6C+2E)
REAR			
WH4-NECRC WH4-NECRXC clincher 28"	WH-204NE	KIT-14NE (13R right+13R left+26C+13E)	
COMPLETE WHEELS	F	R right	R left
WH4-NECFC clincher 28"	L. 294,5 mm WH-105NEC (10 pcs.)		
WH4-NECRC WH4-NECRXC clincher 28"		L. 296,5 mm WH-106NEC (10 pcs.)	L. 296,5 mm WH-107NEC (10 pcs.)

PROTON 9s / 10s



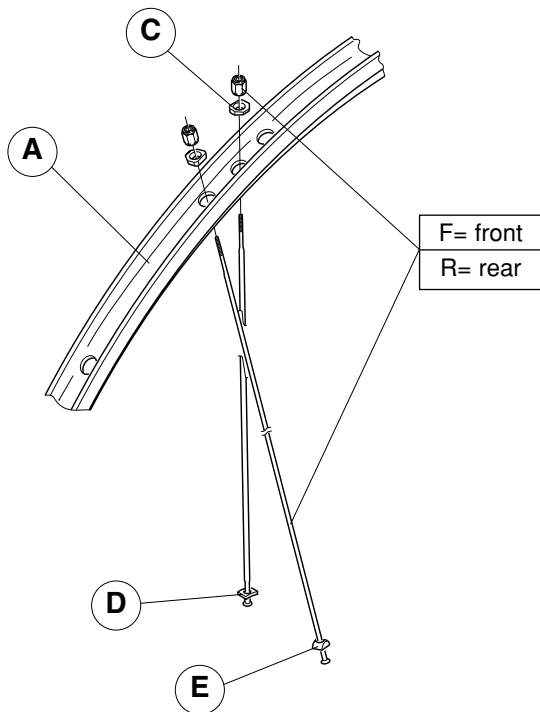
COMPLETE WHEELS	A	Compl. KIT	MINI-KIT
FRONT			KIT-400PR (2F+2R right +2R left+2E)
WH4-PRCF clincher 28"	WH-201PR	KIT-03PR (24F)	
REAR			
WH4-PRCR WH4-PRCRX clincher 28"	WH-202PR	KIT-04PR (13R right+13R left+13E)	

COMPLETE WHEELS	F	R right	R left
WH4-PRCF clincher 28"	L. 283 mm WH-005PRC (10 pcs.)		
WH4-PRCR WH4-PRCRX clincher 28"		L. 292 mm WH-006PRC (10 pcs.)	L. 283 mm WH-005PRC (10 pcs.)



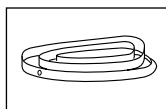
RIM TAPE 18 mm:
WH-RT01

EURUS 9s / 10s



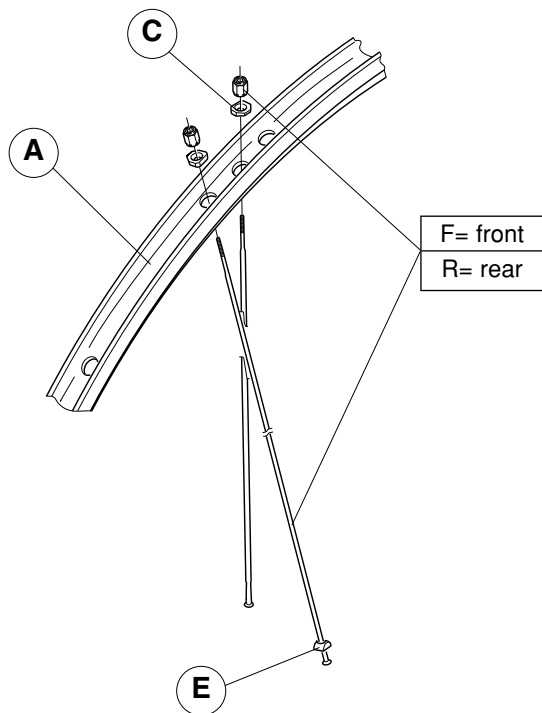
COMPLETE WHEELS	A	Compl. KIT	MINI-KIT
FRONT			
WH02-EUCF clincher 28"	WH-003EU	KIT-03EU (18F+18C+18D)	KIT-200EU (2F+2R right +2R left+6C+4D+2E)
REAR			
WH02-EUCR WH02-EUCRX clincher 28"	WH-004EU	KIT-04EU (15R right+8R left+23C+8D+15E)	

COMPLETE WHEELS	F	R right	R left
WH02-EUCF clincher 28"	L. 285 mm WH-005EUC (10 pcs.)		
WH02-EUCR WH02-EUCRX clincher 28"		L. 288 mm WH-006EUC (10 pcs.)	L. 285 mm WH-007EUC (10 pcs.)



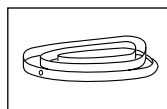
RIM TAPE 18 mm:
WH-RT01

EURUS CARBON HUB 9s / 10s



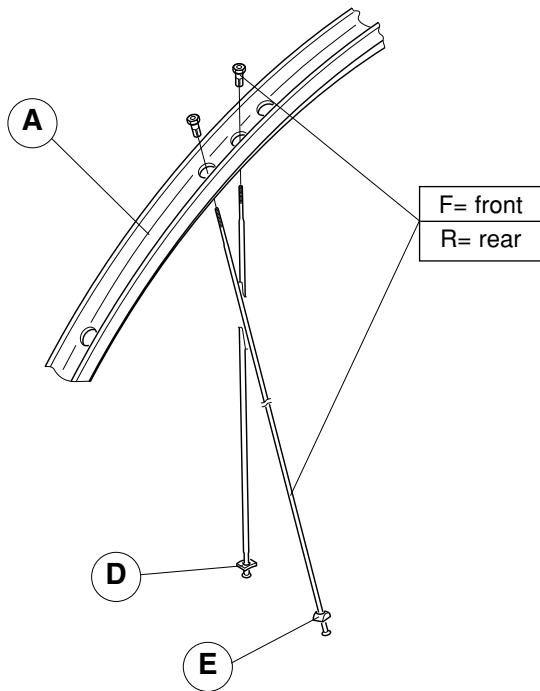
COMPLETE WHEELS	A	Compl. KIT	MINI-KIT
FRONT			KIT-400EU (2F+2R right +2R left+6C+2E)
WH4-EUCFC clincher 28"	WH-103EU	KIT-13EU (24F+24C)	
REAR			
WH4-EUCRC WH4-EUCRXC clincher 28"	WH-104EU	KIT-14EU (13R right+13R left+26C+13E)	

COMPLETE WHEELS	F	R right	R left
WH4-EUCFC clincher 28"	L. 285 mm WH-105EUC (10 pcs.)		
WH4-EUCRC WH4-EUCRXC clincher 28"		L. 286 mm WH-106EUC (10 pcs.)	L. 286 mm WH-107EUC (10 pcs.)



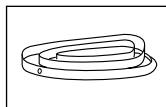
RIM TAPE 18 mm:
WH-RT01

ZONDA 9s / 10s



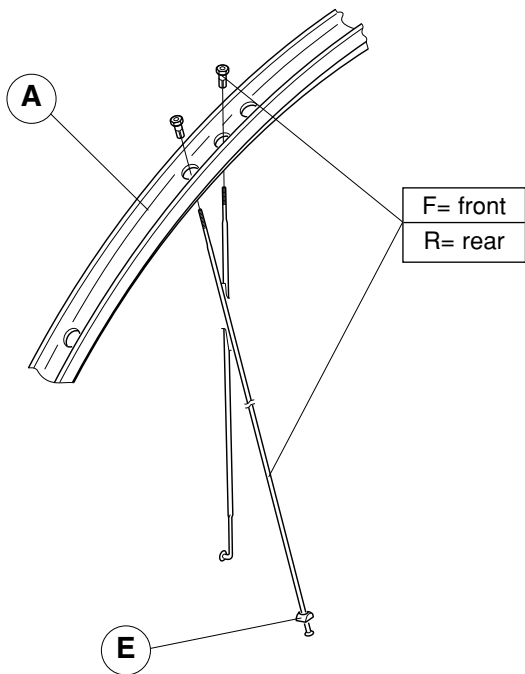
COMPLETE WHEELS	A	Compl. KIT	MINI-KIT
FRONT			
WH4-ZOCF clincher 28"	WH-103ZO	KIT-13ZO (18F+18D)	KIT-300ZO (2F+2R right +2R left+2E+4D)
REAR			
WH4-ZOCR WH4-ZOCRX clincher 28"	WH-104ZO	KIT-14ZO (15R right+8R left +8D+15E)	

COMPLETE WHEELS	F	R right	R left
WH4-ZOCF clincher 28"	L. 279 mm WH-005ZOC (10 pcs.)		
WH4-ZOCR WH4-ZOCRX clincher 28"		L. 282 mm WH-006ZOC (10 pcs.)	L. 279 mm WH-007ZOC (10 pcs.)



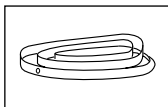
RIM TAPE 18 mm:
WH-RT01

SCIROCCO 9s / 10s



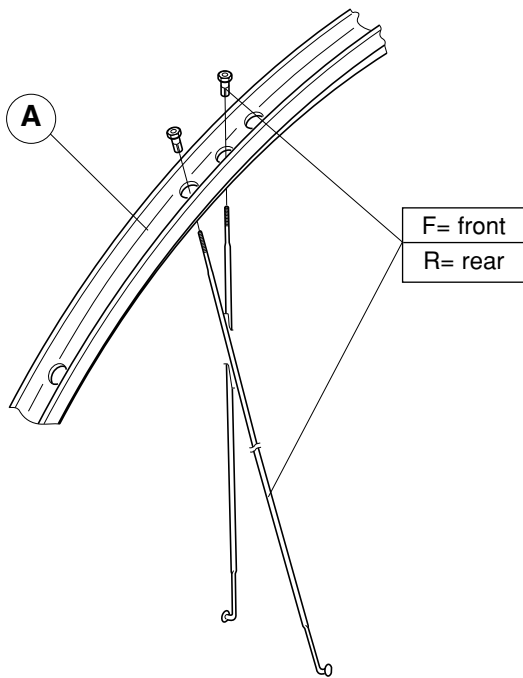
COMPLETE WHEELS	A	Compl. KIT	MINI-KIT
FRONT			KIT-500SC (2F+2R right +2R left+2E)
WH4-SCCF clincher 28"	WH-003SC	KIT-23SC (26F)	
REAR			
WH4-SCCR WH4-SCCRX clincher 28"	WH-004SC	KIT-14SC (17R right+9R left+17E)	

COMPLETE WHEELS	F	R right	R left
WH4-SCCF clincher 28"	L. 274 mm WH-005SCC (10 pcs.)		
WH4-SCCR WH4-SCCRX clincher 28"		L. 279 mm WH-006SCC (10 pcs.)	L. 272 mm WH-007SCC (10 pcs.)



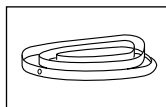
RIM TAPE 18 mm:
WH-RT01

VENTO 9s / 10s



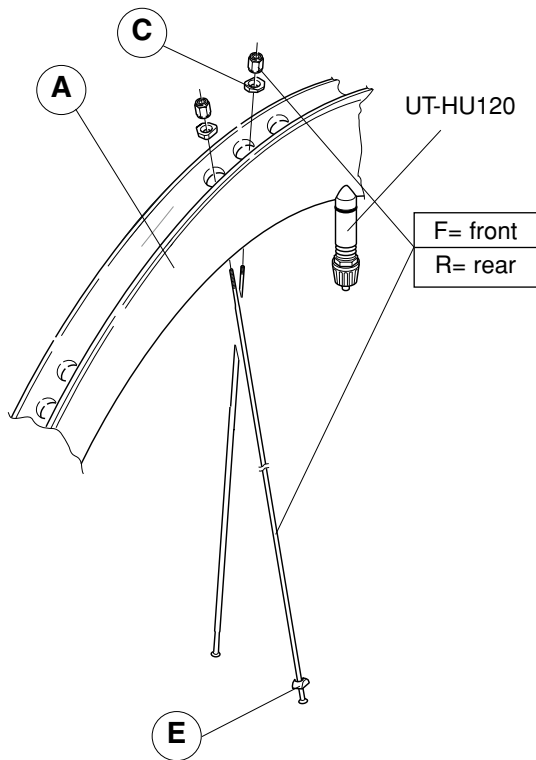
COMPLETE WHEELS	A	Compl. KIT	MINI-KIT
FRONT			
WH4-VECF clincher 28"	WH-003VE	KIT-03VE (26F)	KIT-400VE (2F+2R right +2R left)
REAR			
WH4-VECR WH4-VECRX clincher 28"	WH-004VE	KIT-04VE (19R right+10R left)	

COMPLETE WHEELS	F	R right	R left
WH4-VECF clincher 28"	L. 278 mm WH-005VEC (10 pcs.)		
WH4-VECR WH4-VECRX clincher 28"		L. 288 mm WH-006VEC (10 pcs.)	L. 278 mm WH-007VEC (10 pcs.)



RIM TAPE 16 mm:
WH-RT02

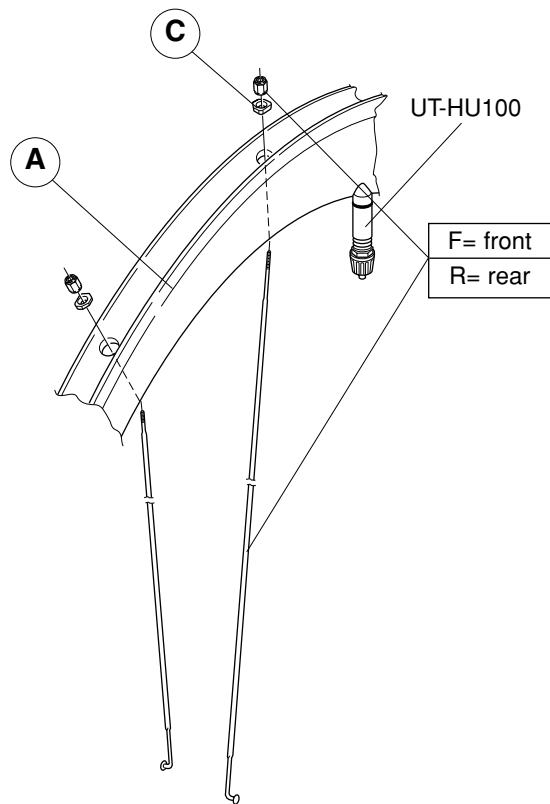
BORA
“full carbon”
9s / 10s



COMPLETE WHEELS	A	Compl. KIT	MINI-KIT
FRONT			
WH03-BOTF tubular 28"	WH-401BO	KIT-21BO (20F+20C)	KIT-200BO (2F+2R right +2R left+6C+2E)
REAR			
WH03-BOTR WH03-BOTRX tubular 28"	WH-302BO	KIT-22BO (15R right+8R left+23C+15E)	

COMPLETE WHEELS	F	R right	R left
WH03-BOTF tubular 28"	L. 264 mm WH-005BOT (10 pcs.)		
WH03-BOTR WH03-BOTRX tubular 28"		L. 268 mm WH-006BOT (10 pcs.)	L. 268 mm WH-007BOT (10 pcs.)

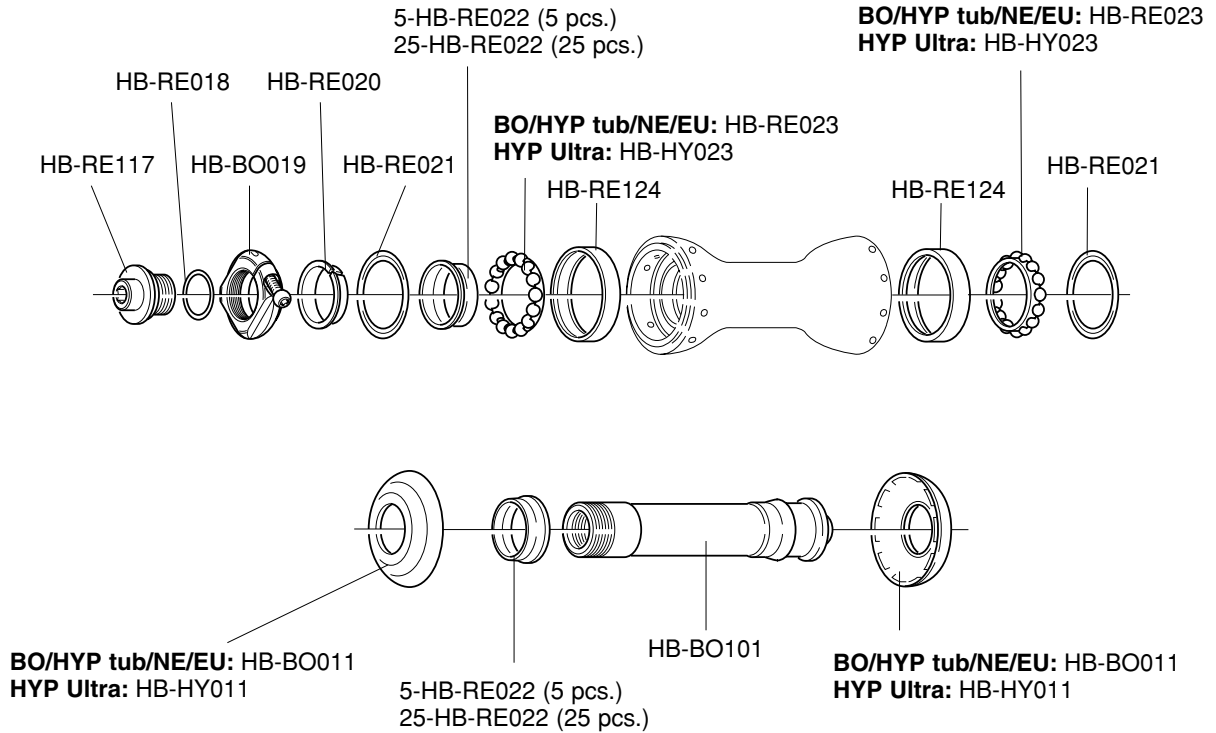
PISTA



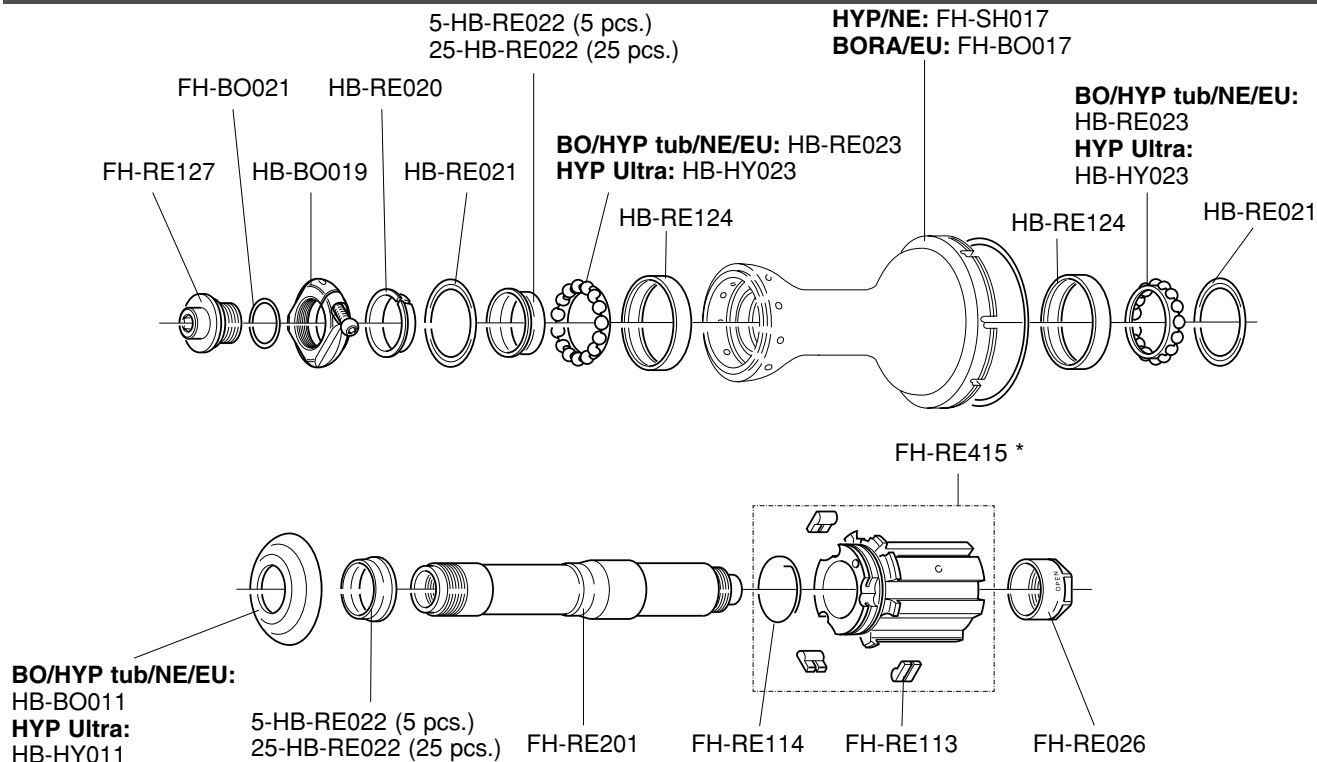
COMPLETE WHEELS	A	Compl. KIT	MINI-KIT
FRONT			
WH02-PTF tubular 28"	WH-001PI	KIT-01PI (22F+22C)	KIT-100PI (3F+3R+6C)
REAR			
WH02-PTR tubular 28"	WH-002PI	KIT-02PI (26R+26C)	

COMPLETE WHEELS	F	R
WH02-PTF tubular 28"	L. 278 mm WH-005PIT (10 pcs.)	
WH02-PTR tubular 28"		L. 287 mm WH-006PIT (10 pcs.)

MOZZO ANTERIORE
HYPERON tub. / HYPERON ULTRA clincher / BORA "full carbon" tub.
NEUTRON CH clincher / EURUS CH clincher
FRONT HUB

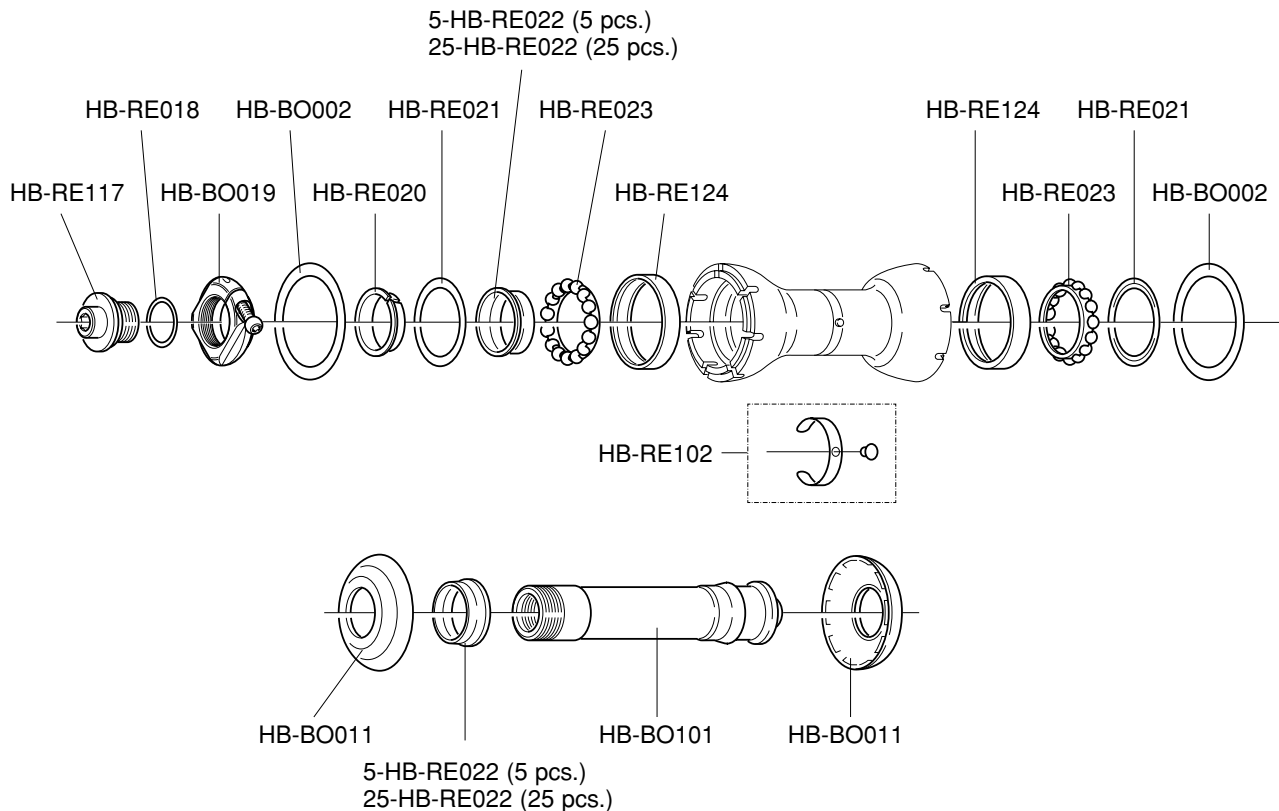


MOZZO POSTERIORE 9s / 10s
HYPERON tub. / HYPERON ULTRA clincher / BORA "full carbon" tub.
NEUTRON CH clincher / EURUS CH clincher
9s / 10s REAR HUB

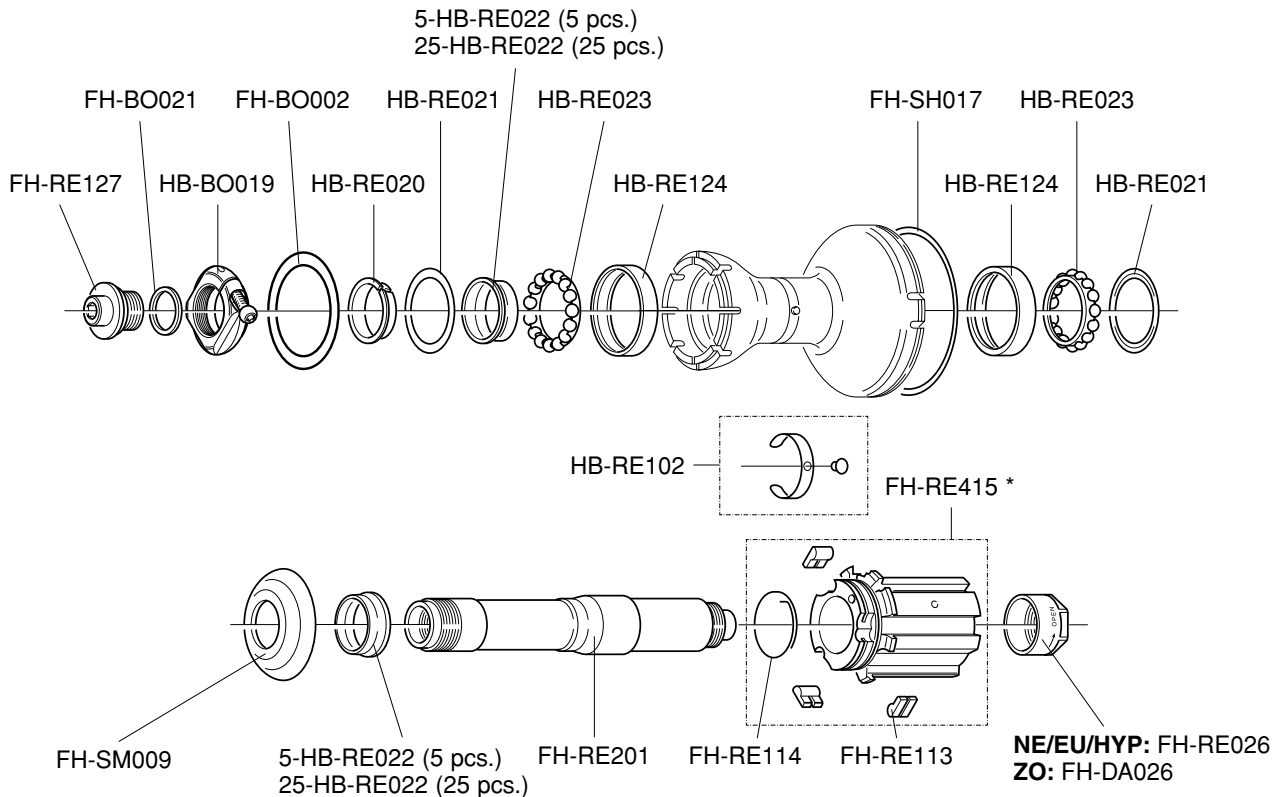


* HyGI 8/9 type FW body / corpetto RL tipo HyGI 8/9: **WH-KX1** (RECORD type) **WH-KX2** (CHORUS type)

MOZZO ANTERIORE
NEUTRON - EURUS - HYPERON clincher - ZONDA
FRONT HUB

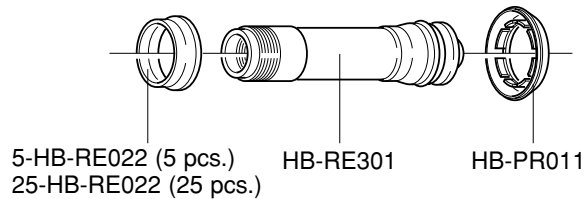
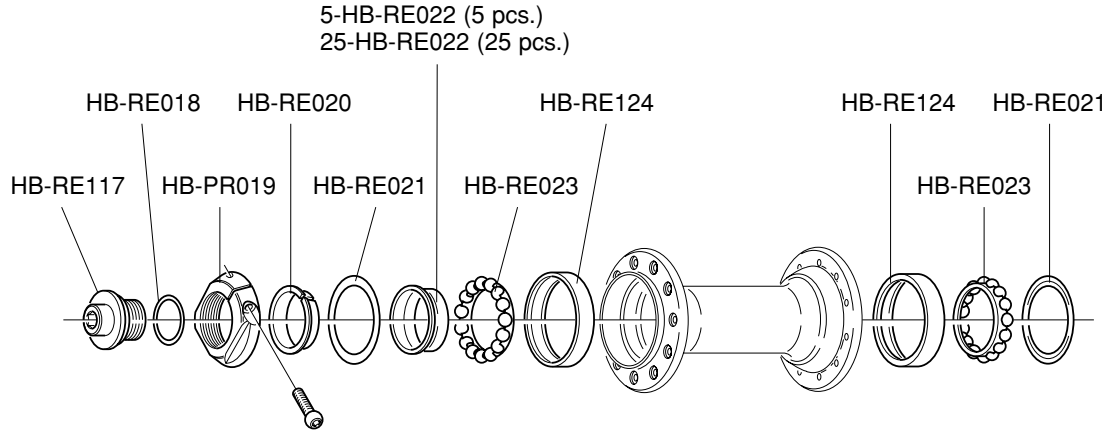


MOZZO POSTERIORE 9s / 10s
NEUTRON - EURUS - HYPERON clincher - ZONDA
9s / 10s REAR HUB

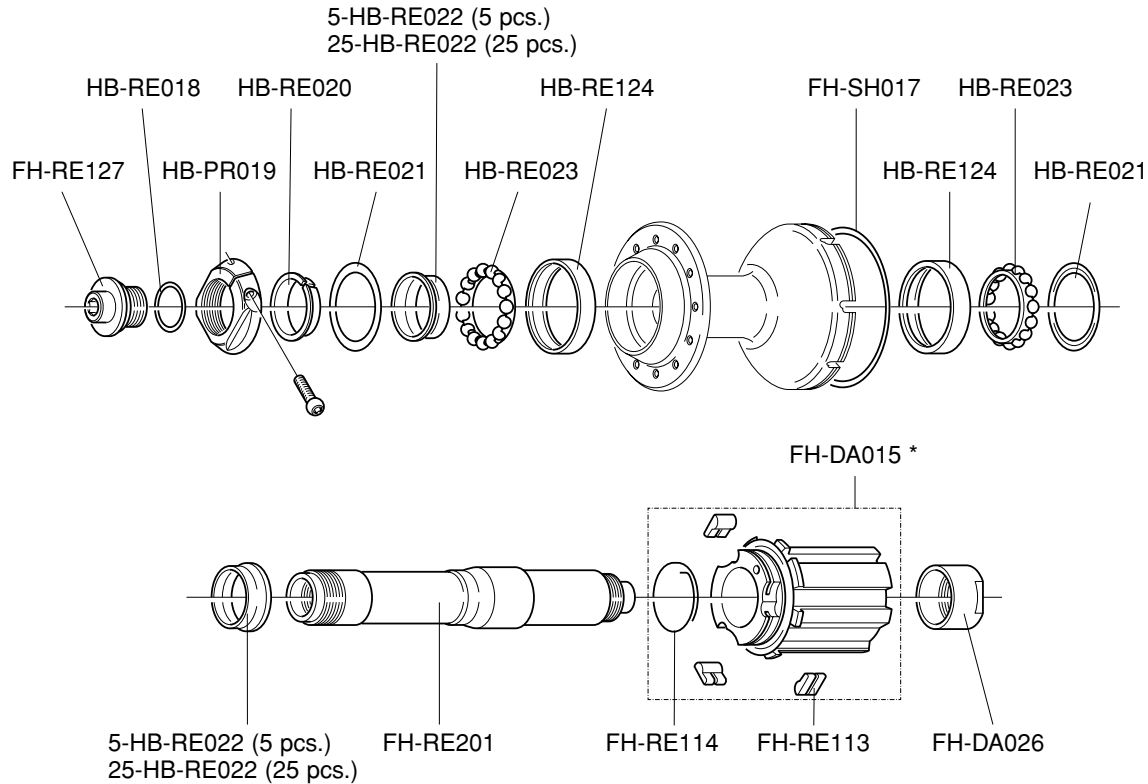


* HyGI 8/9 type FW body / corpetto RL tipo HyGI 8/9: **WH-KX1** (RECORD type) **WH-KX2** (CHORUS type)

**MOZZO ANTERIORE
PROTON
FRONT HUB**

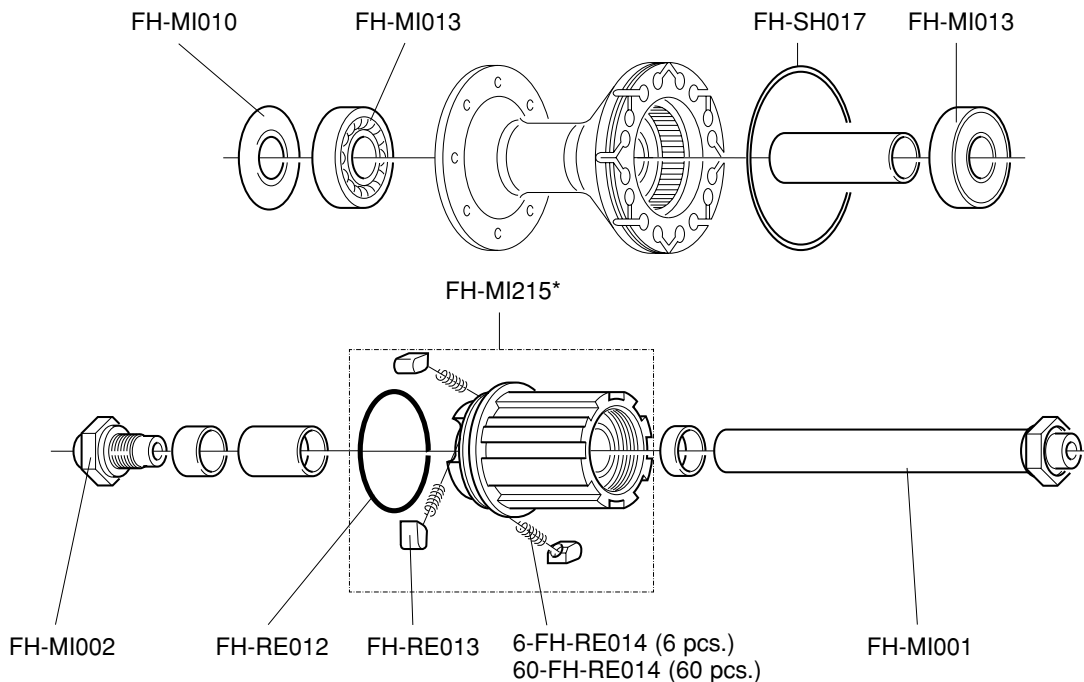
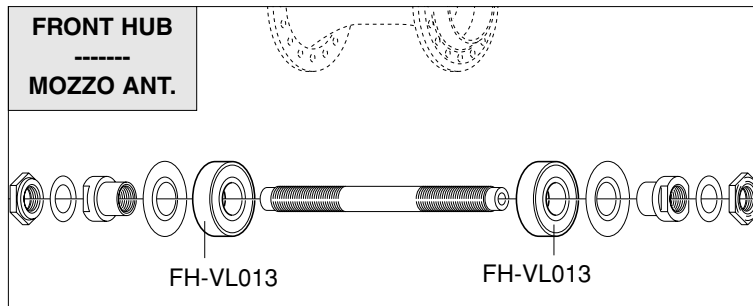


MOZZO POSTERIORE 9s / 10s
PROTON
9s / 10s REAR HUB



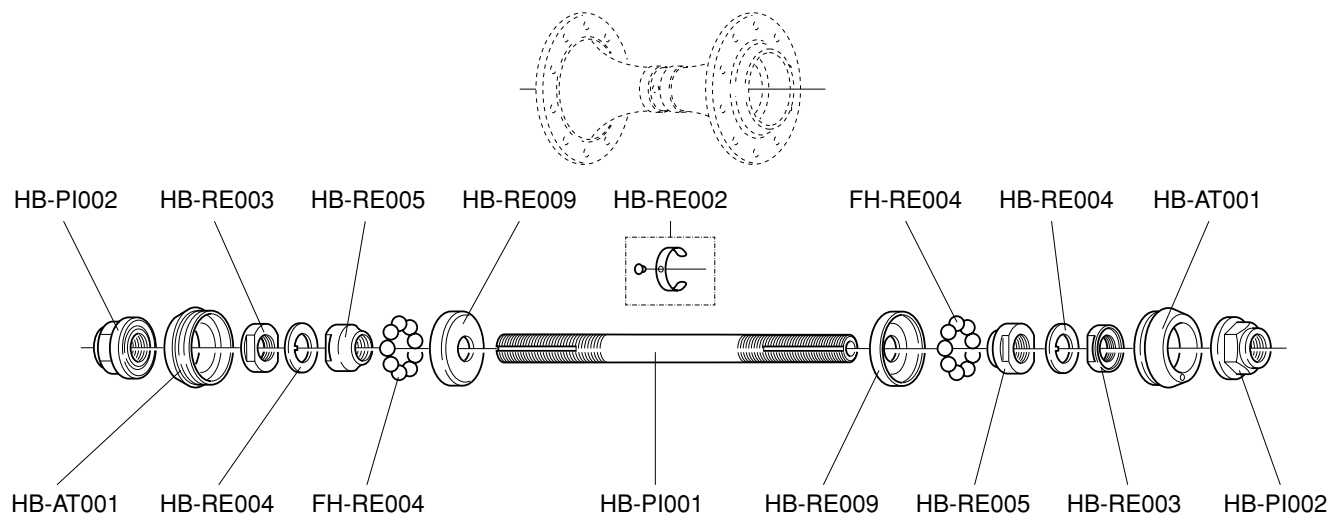
* HyGI 8/9 type FW body / corpetto RL tipo HyGI 8/9: **WH-KX1** (RECORD type) **WH-KX2** (CHORUS type)

**MOZZO ANTERIORE
e POSTERIORE
SCIROCCO
FRONT and REAR HUB**

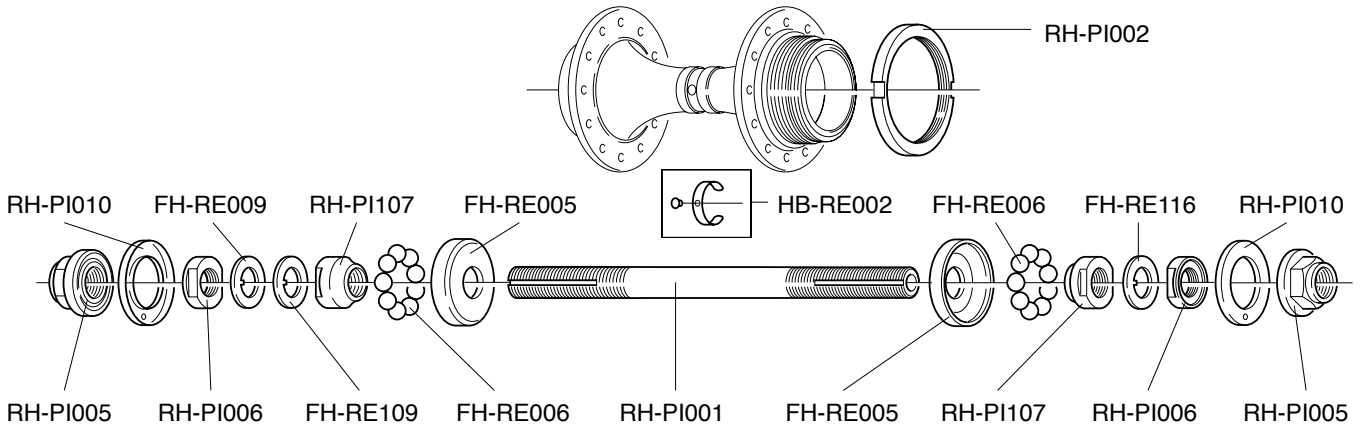


* HyGI 8/9 type FW body / corpetto RL tipo HyGI 8/9: **WH-KX3**

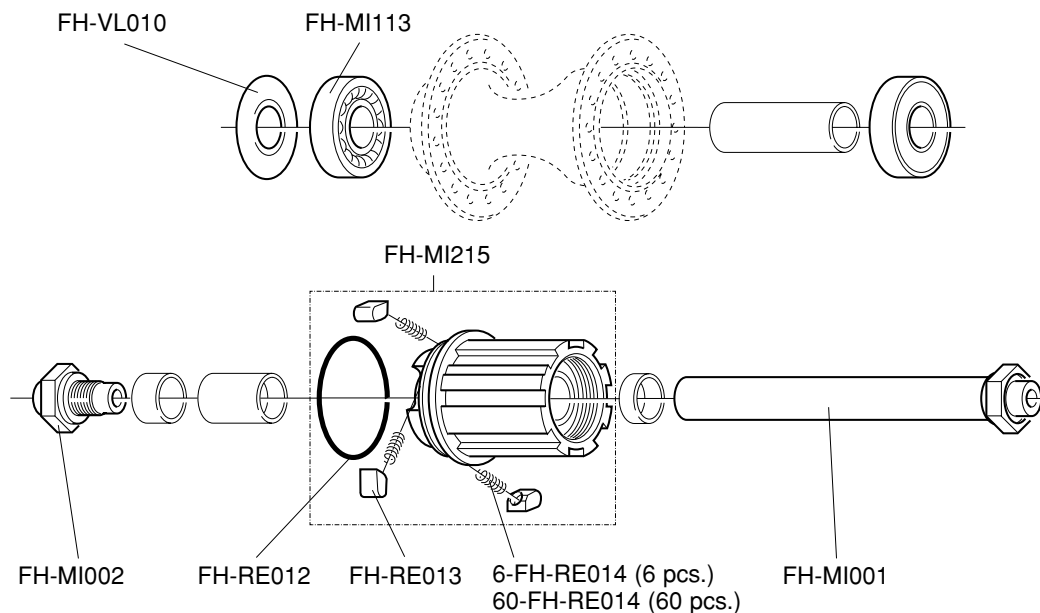
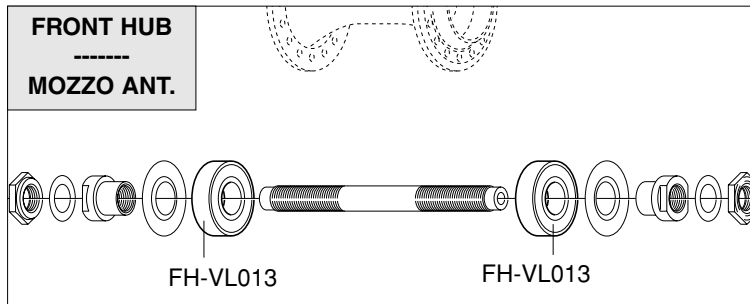
**MOZZO ANTERIORE
PISTA
FRONT HUB**



MOZZO POSTERIORE
PISTA
REAR HUB



**MOZZO ANTERIORE
e POSTERIORE
VENTO
FRONT and REAR HUB**



* HyGl 8/9 type FW body / corpetto RL tipo HyGl 8/9: **WH-KX3**

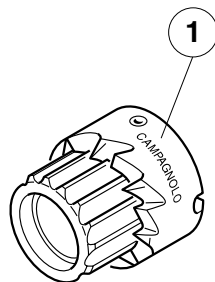
Utensili raccomandati reperibili in commercio

Recommended tools, commercially available

- Cacciavite a croce PH 1 (Phillips)
 - Chiave a manico di cacciavite con esagono da 5mm per raggi ruote
 - Chiave a brugola da 2,5 mm per registrazione mozzi
 - Chiave a brugola da 3 mm per blocchetti fermaguaine
 - Chiave a brugola da 5 mm per freni, Ergopower, ecc.
 - Chiave dinamometrica con chiave a brugola da 8 mm per montaggio viti pedivelle
 - Chiave fissa da 17 mm per controdado mozzo posteriore
 - Chiave a bussola da 24 mm per utensile fissaggio calotte mov. centrale Daytona/Centaur, Veloce, Mirage (UT-BB100 - pag. 130)
 - Maschio M10 x 1 per ripasso occhiello attacco cambio su forcellini
 - Chiave TORX per viti fissaggio ingranaggi guarniture RECORD e CHORUS CARBON (a partire da gamma 2004) e CENTAUR CARBON.
-

- Phillips type screwdriver
- 5 mm nut driver for wheel spokes
- 2.5 mm allen key, for hub lock nut
- 3 mm allen key, for downtube adjusters
- 5 mm for brakes, Ergopower levers, etc.
- Torque wrench fitted with 8 mm allen key
- 17 mm hexagonal wrench, for rear hub axle nut
- 24 mm hexagonal wrench for Daytona/Centaur, Veloce, Mirage bottom bracket tool (UT-BB100 on page 130)
- M10 x 1 tap for recutting rear derailleur hanger thread
- TORX wrench to fix the chainrings of the RECORD and CHORUS CARBON cranksets (from 2004 range) and CENTAUR CARBON cranksets.

HEADSET



Doppia fresa sedi calotte per attrezzo UT-HS090 (Ø 1")

UT-HS093: standard

UT-HS094: con inserti in metallo duro

Double cutter cup seats for tool UT-HS090 (Ø 1")

UT-HS093: standard

UT-HS094: with hard metal inserts

Fraise double pour sièges cuvettes pour outil UT-HS090 (Ø 1")

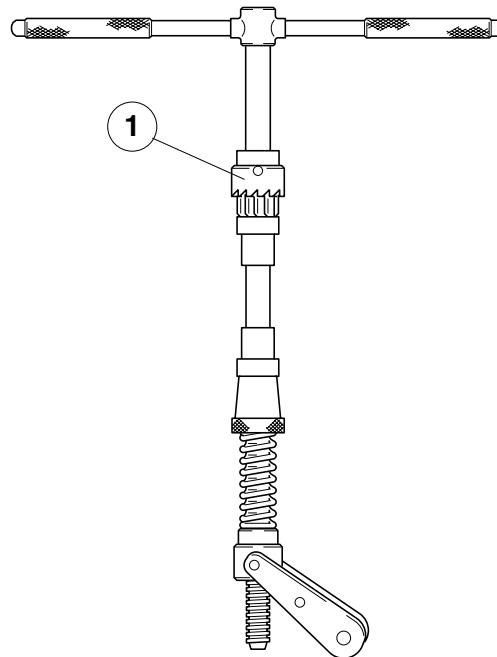
UT-HS093: standard

UT-HS094: avec inserts métal dur

Doppelfräser für Gabelkonus für Werkzeug UT-HS090 (Ø 1")

UT-HS093: Standard

UT-HS094: mit aufgetragenen Hartmetallplättchen



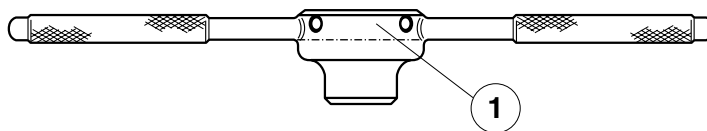
UT-HS090: Attrezzo fresatura tubo sterzo, montaggio calotta inferiore e cono superiore serie sterzo 1" - completo di doppia fresa standard (1)

UT-HS090: Tool for milling steering tube, for fitting bottom cup and top cone 1" headset - with standard double cutter (1)

UT-HS090: Outil pour fraisage tube de direction, montage cuvette inférieure et cône supérieur jeux de directions 1" - avec fraise double standard (1)

UT-HS090: Steuersatz-Fräswerkzeug - mit Standard-Doppelfräser (1) - für 1" Steuerschalensitz

HEADSET



UT-HS020: Attrezzo per ripasso filetto forcelle per sterzi 1", con filiera (1)

UT-HS020: Tool for recutting fork thread for 1" Headsets, with threader (1)

UT-HS020: Outil pour repassage filetage fourche pour jeux de directions 1", avec filière (1)

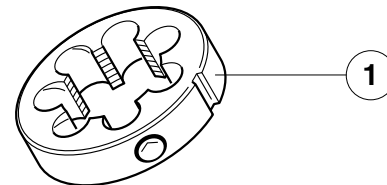
UT-HS020: Werkzeug zum Nachschneiden von Gabelschaftgewinde, mit Gewinde-schneider (1), für Ø 1" Steuersatz

UT-HS021: Filiera per attrezzo ripasso forcella UT-HS020 (1")

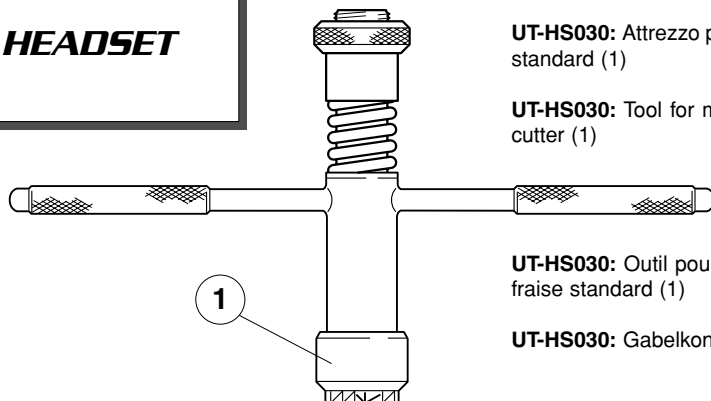
UT-HS021: Cutter for recutting fork thread tool UT-HS020 (1")

UT-HS021: Filière pour outil repassage fourche UT-HS020 (1")

UT-HS021: Gewindeschneider für Werkzeug UT-HS020 (1") zum Nachschneiden für Gabelschaftrohr



HEADSET

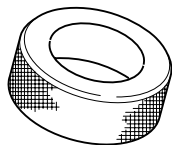


UT-HS030: Attrezzo per fresatura sede cono forcella per serie sterzo 1" con fresa standard (1)

UT-HS030: Tool for milling fork bottom cone seat for 1" headsets with standard cutter (1)

UT-HS030: Outil pour le fraisage siège cône de fourche pour directions 1" avec fraise standard (1)

UT-HS030: Gabelkonus-Fräswerkzeug für 1" Steuersitz mit Standardfräser (1)



UT-HS110: Attrezzo mont. cono forcella, per s.sterzo Hiddenset 1"
UT-HS120: Attrezzo mont. cono forcella, per s. sterzo Hiddenset 1-1/8"

UT-HS110: Tool for installing fork cone, for Ø 1" Hiddenset headset
UT-HS120: Tool for installing fork cone, for Ø 1-1/8" Hiddenset headset

UT-HS110: Outil pour montage cône de fourche, pour jeux de directions Hiddenset 1"
UT-HS120: Outil pour montage cône de fourche, pour jeux de directions Hiddenset 1-1/8"

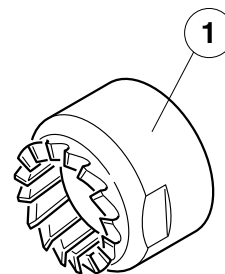
UT-HS110: Werkzeug zur Montage von Gabelkonus, für Ø 1" Hiddenset Steuersatz
UT-HS120: Werkzeug zur Montage von Gabelkonus, für Ø 1-1/8" Hiddenset Steuersatz

Fresa per attrezzo UT-HS030 Ø 1"
UT-HS031: standard
UT-HS032: con inserti in metallo duro

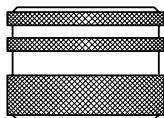
Cutter for tool UT-HS030 Ø 1"
UT-HS031: standard
UT-HS032: with hard metal inserts

Fraise pour outil UT-HS030 Ø 1"
UT-HS031: standard
UT-HS032: avec inserts métal dur

Ø 1" Fräser für UT-HS030 Werkzeug
UT-HS031: Standard
UT-HS032: mit aufgetragenen Hartmetallplättchen



HEADSET

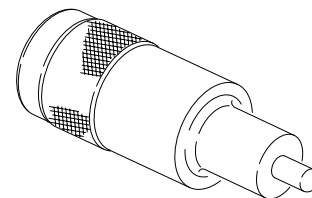


UT-HS080: Calibro controllo sede cono forcelle Ø 26,4 mm

UT-HS080: Gauge for checking fork cone seat 26,4 mm Ø

UT-HS080: Calibre de contrôle siège cône de fourche Ø 26,4 mm

UT-HS080: Kontrolllehre für Gabelkonussitz Ø 26,4 mm



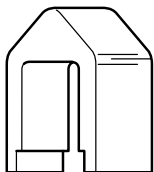
UT-HS100: Attrezzo montaggio serie sterzo Ø 1" per cannotto non filettato

UT-HS100: Tool for installing Ø 1" headset for unthreaded steerers

UT-HS100: Outil pour montage jeu de direction Ø 1" pour tube de fourche non fileté

UT-HS100: Werkzeug zur Ø 1" Steuersatzmontage für gewindelosen Gabelschaft

HEADSET

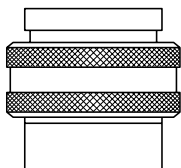


UT-HS060: Estrattore cono forcella serie sterzo

UT-HS060: Headset crown race remover

UT-HS060: Extracteur cône de fourche pour jeux de directions

UT-HS060: Abschläger für Gabelkonus für Steuersatz



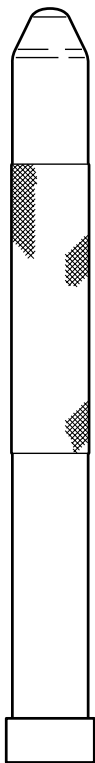
UT-HS070: Calibro controllo sedi coni e calotte sterzi 1"

UT-HS070: Gauge for checking cone and cup seats 1" headsets

UT-HS070: Calibre de contrôle sièges cônes et cuvettes jeux de directions 1"

UT-HS070: Kontrollehre für Gabelkonus und 1" Steuerschalensitz

HEADSET



UT-HS040: Punzone per montaggio cono forcella, per serie sterzo Ø 1"

UT-HS040: Punch for installing fork cone, for Ø 1" headset

UT-HS040: Outil pour montage cône de fourche, pour jeux de directions Ø 1"

UT-HS040: Aufschläger für Montage von Gabelkonus, für Ø 1" Steuersatz



UT-HS050: Estrattore calotta inferiore e cono superiore, per serie sterzo Ø 1"

UT-HS050: Extractor for lower headset cup and race, for Ø 1" headset

UT-HS050: Extracteur cuvette inférieure et cône supérieur, pour jeux de directions Ø 1"

UT-HS050: Austreiber für oberen Konus und untere Lagerschale, für Ø 1" Steuersatz

BOTTOM BRACKET

UT-BB045: Maschio filetto italiano (1 pz.)

UT-BB046: Maschio filetto inglese destro (1 pz.)

UT-BB047: Maschio filetto inglese sinistro (1 pz.)

UT-BB045: Tap for Italian thread (1pc.)

UT-BB046: Tap for English thread right-hand (1pc.)

UT-BB047: Tap for English thread left-hand (1pc.)

UT-BB045: Taraud filetage italien (1 pc.)

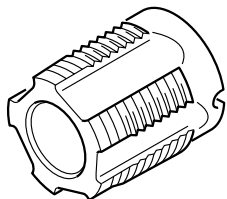
UT-BB046: Taraud filetage anglais droit (1 pc.)

UT-BB047: Taraud filetage anglais gauche (1 pc.)

UT-BB045: ITA Gewindeschneider (1 St.)

UT-BB046: BSA Gewindeschneider rechts (1 St.)

UT-BB047: BSA Gewindeschneider links (1 St.)



Atrezzo per filettatura scatola movimento centrale con 2 maschi

UT-BB040: Filetto italiano

UT-BB041: Filetto inglese

Tool for threading bottom bracket housing with 2 taps

UT-BB040: Italian thread

UT-BB041: English thread

Outil pour le filetage de la boîte de pédalier avec 2 tarauds

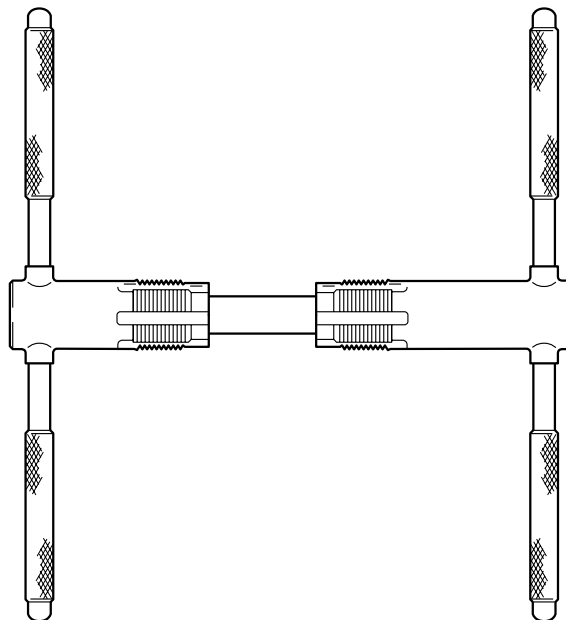
UT-BB040: filetage italien

UT-BB041: filetage anglais

Tretlager-Gewindeschneid-Werkzeug mit 2 Gewindeschneider mit:

UT-BB040: ITA Gewinde

UT-BB041: BSA Gewinde



BOTTOM BRACKET

UT-BB052: 2 manicotti filettati di guida per attrezzo UT-BB050, italiano

UT-BB053: 2 manicotti filettati di guida per attrezzo UT-BB051, inglese

UT-BB052: Inner and outer thread guide for UT-BB050, IT thread

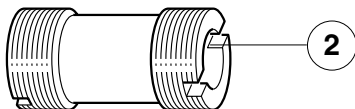
UT-BB053: Inner and outer thread guide for UT-BB051, BSC thread

UT-BB052: 2 manchons filetés de guide pour outils UT-BB050 fil. Italien

UT-BB053: 2 manchons filetés de guide pour outils UT-BB051 fil. anglais

UT-BB052: 2 Gewindemuffen zur Führung Werkzeuge UT-BB050, ITA

UT-BB053: 2 Gewindemuffen zur Führung Werkzeuge UT-BB051, BSA



Fresa per attrezzi UT-BB050 e UT-BB051

UT-BB054: Fresa standard

UT-BB055: Fresa con inserti metallo duro

Cutter for tools UT-BB050 and UT-BB051

UT-BB054: standard cutter

UT-BB055: cutter with hard metal inserts

Attrezzo fresatura piani scatola movimento centrale con fresa standard (1) e 2 manicotti filettati (2)

UT-BB050: Filetto italiano

UT-BB051: Filetto inglese

Bottom bracket facing set with standard cutter (1) and 2 - inner and outer - thread guide (2)

UT-BB050: Italian thread

UT-BB051: English thread

Outil fraisage faces boîte de pédalier avec fraise standard (1) et 2 manchons filetés de guide (2)

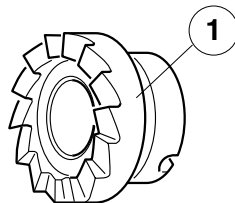
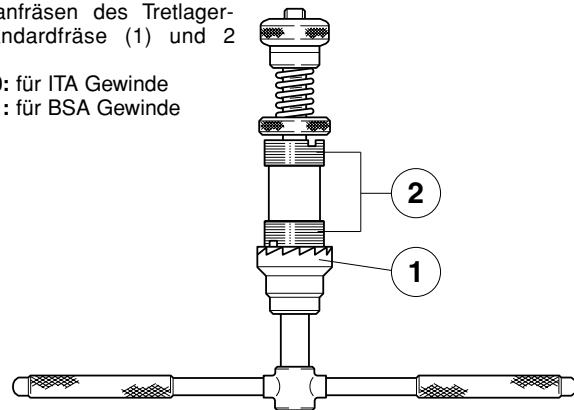
UT-BB050: filetage italien

UT-BB051: filetage anglais

Werkzeug zum Planfräsen des Tretlagergehäuses mit Standardfräse (1) und 2 Gewindemuffen (2)

UT-BB050: für ITA Gewinde

UT-BB051: für BSA Gewinde



Fresa per attrezzi UT-BB050 e UT-BB051

UT-BB054: Fresa standard

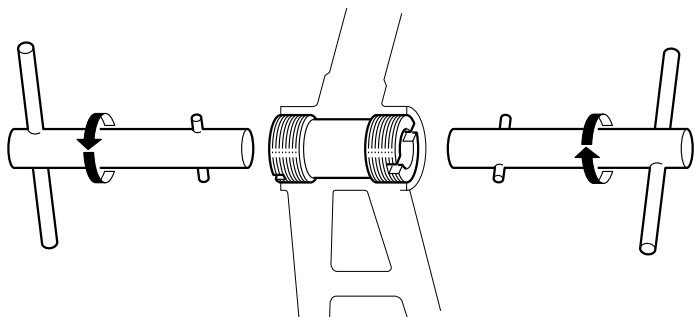
UT-BB055: Fresa con inserti metallo duro

Cutter for tools UT-BB050 and UT-BB051

UT-BB054: standard cutter

UT-BB055: cutter with hard metal inserts

BOTTOM BRACKET



UT-BB060: Chiave per montaggio manicotti attrezzi UT-BB050/UT-BB051 (1 pz.)

UT-BB060: Key for BB-thread guides UT-BB050/UT-BB051 (1 pcs.)

UT-BB060: Clé pour montage guides pour outils UT-BB050/UT-BB051 (1 pcs.)

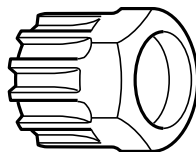
UT-BB060: Rohrschlüssel für Tretlagergewinde-Führungsteile UT-BB050/UT-BB051 (1 Stück)

UT-BB080 (1 pz.) - **10-UT-BB080** (10 pz.): Chiave per montaggio movimenti centrali CART e ghiera di chiusura pacchi pignoni

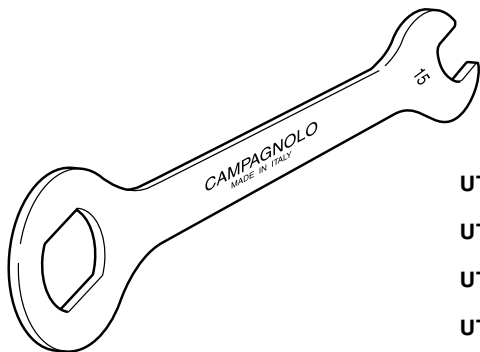
UT-BB080 (1 pc.) - **10-UT-BB080** (10 pcs.): Cartridge bottom bracket and sprocket cassette- lock ring remover

UT-BB080 (1 pc.) - **10-UT-BB080** (10 pcs.): Clé pour montage jeux de pédalier CART et roues-libres à cassette

UT-BB080 (1 St.) - **10-UT-BB080** (10 St.): Schlüssel zur Montage von Patronen-Tretlager und Schließring für Freilaufzahnkranz



BOTTOM BRACKET



UT-BB030: Chiave per calotta destra movimenti centrali e per montaggio pedali

UT-BB030: Spanner for bottom bracket right-hand cup and installing pedals

UT-BB030: Clé pour cuvette droite jeu de pédalier et montage pédales

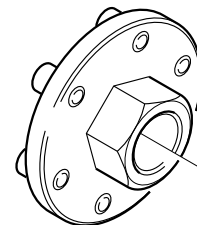
UT-BB030: Schlüssel für rechte Innenlagerschalen und Pedal-Montage

UT-BB100: Utensile per movimenti a cartuccia Daytona/Centaur, Veloce e Mirage

UT-BB100: Tool for Daytona/Centaur, Veloce and Mirage cartridge bottom bracket

UT-BB100: Clé pour jeux de pédalier à cartouche Daytona/Centaur, Veloce et Mirage

UT-BB100: Montageschlüssel für Daytona/Centaur, Veloce und Mirage Patronen-Tretlager



**HEADSET /
BOTTOM
BRACKET**



UT-BB010: Chiave per serie sterzo Ø 1" e calotta sinistra movimento centrale Pista

UT-BB010: Spanner for Ø 1" head sets and Pista bottom bracket left hand cup

UT-BB010: Clé pour direction Ø 1" et cuvette réglable jeu de pédalier Pista

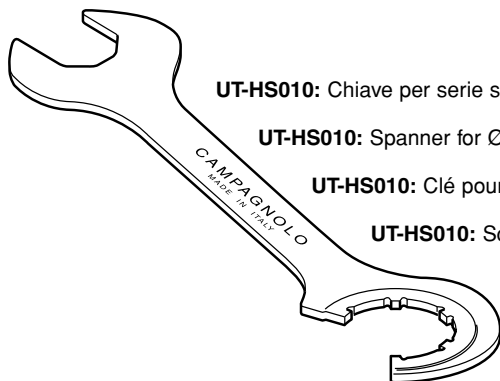
UT-BB010: Schlüssel für Ø 1" Steuersatz und Stiftschlüssel für Pista Tretlagerschale

UT-BB011: Punta per chiave UT-BB010

UT-BB011: Pin for UT-BB010

UT-BB011: Grain pour clé UT-BB010

UT-BB011: Stift für Schlüssel UT-BB010



UT-HS010: Chiave per serie sterzo Ø 1" e contranello movimento centrale Pista

UT-HS010: Spanner for Ø 1" head sets and Pista bottom bracket counter ring

UT-HS010: Clé pour direction Ø 1" et contre-écrou du jeu de pédalier Pista

UT-HS010: Schlüssel für Ø 1" Steuersatz und Pista Tretlager-Kontering

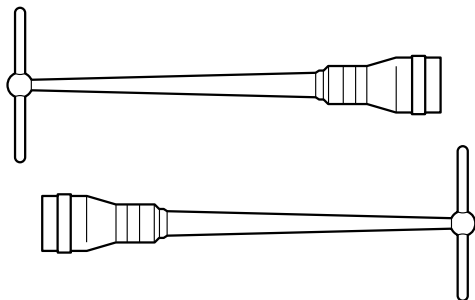
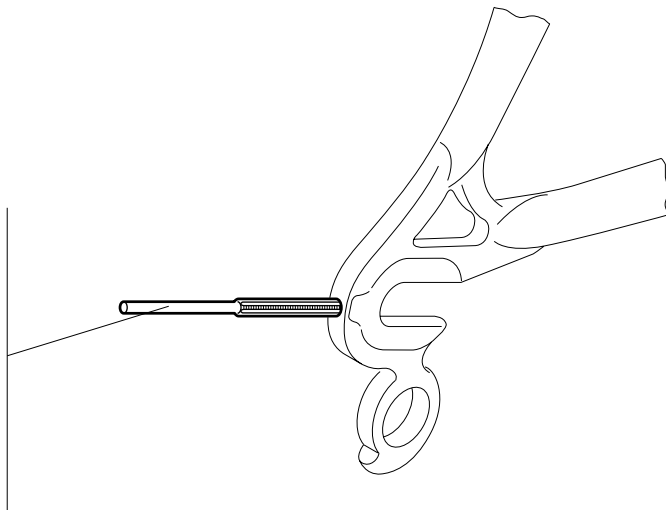
FRAME PREPARATION

UT-VS060: Maschio M3 x 0,5 per ripasso filetti forcellini per viti registrazione

UT-VS060: M3 x 0,5 tap for recutting rear drop-out threads for setting screws

UT-VS060: Taraud M3 x 0,5 pour repassage filetage pattes de cadre pour vis de réglage

UT-VS060: M3 x 0,5 Gewindebohrer zum Nachschneiden von Stellschraubengewinde im Ausfallende



UT-VS120: Calibro per controllo allineamento forcellini e punte forcelle (2 pz.)

UT-VS120: Drop-out alignment set (2 pcs.)

UT-VS120: Calibre pour contrôle alignement pattes de cadres et pattes de fourches (2 pcs.)

UT-VS120: Werkzeug zum Ausrichten von Gabel- und Ausfallenden (2 St.)

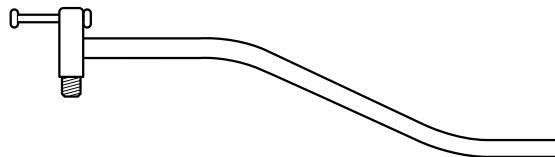
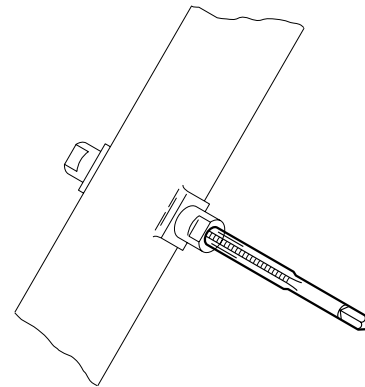
FRAME PREPARATION

UT-VS050: Maschio M5 x 0,8 per ripasso filetti attacchi quadri comandi e attacchi borracce

UT-VS050: M5 x 0,8 tap for recutting shifting lever- and bottle cage threads

UT-VS050: Taraud M5 x 0,8 pour repassage filetage plots de manettes et attaches bidons

UT-VS050: M5 x 0,8 Gewindebohrer zum Nachschneiden der Gewinde für Schalthebel und Trinkflaschenhalter



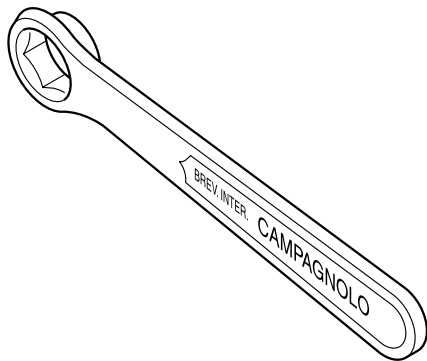
UT-VS030: Riscontro allineamento occhiello attacco cambio

UT-VS030: Rear derailleur hanger alignment tool

UT-VS030: Calibre de contrôle attache de dérailleur arrière

UT-VS030: Richtwerkzeug zur Kontrolle von Ausfallende mit Schaltauge

CRANKS / CHAINRINGS



UT-FC050: Chiave con esagono da 15 mm per estrattore pedivelle

UT-FC050: 15 mm crank bolt spanner

UT-FC050: Clé avec hexagone de 15 mm pour extracteur manivelles

UT-FC050: 15 mm Schlüssel für Tretkurbelabzieher

UT-FC060: Estrattore pedivelle standard

UT-FC070: Estrattore pedivelle con filetto a sinistra

UT-FC060: Extractor for standard cranks

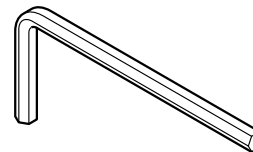
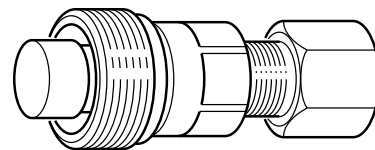
UT-FC070: Extractor for cranks with l.h. thread

UT-FC060: Extracteur manivelles standards

UT-FC070: Extracteur manivelles avec filetage à gauche

UT-FC060: Standard - Tretkurbelabzieher

UT-FC070: Tretkurbelabzieher mit Linksgewinde



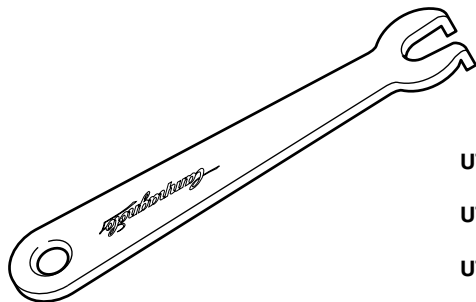
UT-FC030: Chiave a brugola da 5 mm

UT-FC030: 5 mm allen key

UT-FC030: Clé à pans creux de 5 mm

UT-FC030: 5 mm L-Schlüssel

**CRANKS /
CHAINRINGS /
BRAKES**

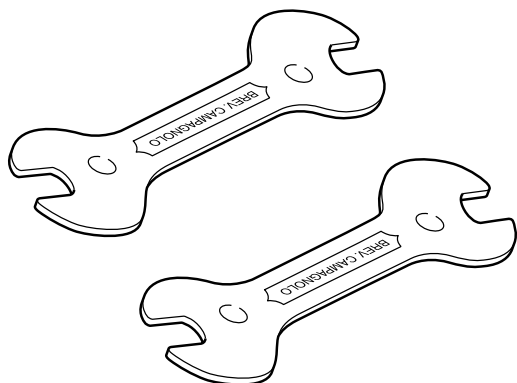


UT-FC040: Chiave per dadi fissaggio ingranaggi

UT-FC040: Spanner for chainring retaining nuts

UT-FC040: Clé pour écrous de fixation plateaux de pédaliers

UT-FC040: Schlüssel zur Befestigung von Kettenblattbolzen



UT-BR010: Coppia chiavi 13-14 per registrazione freni e coni mozzi

UT-BR010: Pair of 13-14 mm spanners for adjusting brakes and hub cones

UT-BR010: Paire clés 13-14 pour réglage freins et cônes de moyeux

UT-BR010: 13-14 mm Schlüssel (2 Stücke) zum Einstellen von Bremsen und Nabelkonusen

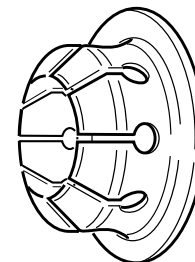
HUBS & WHEELS

UT-HU090: Attrezzo per montaggio cricchetti ruota libera su mozzi standard e HPW

UT-HU090: freewheel-pawl assembling tool (standard and HPW-hubs)

UT-HU090: Outil pour montage cliquets de roue-libre sur moyeux standard et HPW

UT-HU090: Werkzeug zur Montage der Kassettenkörper-Sperrklinken (Standard- und HPW-Nabe)

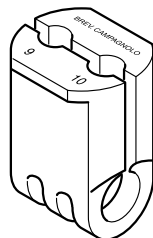


UT-HU020: Pinza per perni filettati mozzi

UT-HU020: Hub axle vise

UT-HU020: Pince pour axes filetés de moyeux

UT-HU020: Klemmvorrichtung für Naben-Achsgewinde

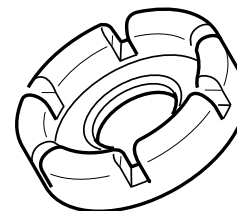


UT-HU050: Tiraraggi

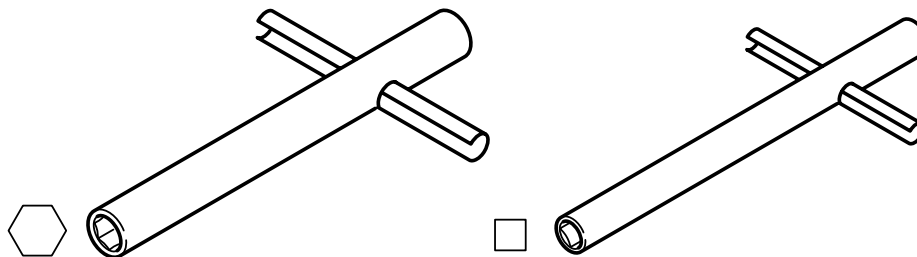
UT-HU050: Spoke wrench

UT-HU050: Clé à rayons

UT-HU050: Speichenschlüssel



HUBS & WHEELS



UT-HU070: Chiave con esagono da 5,5 mm per raggi ruote

UT-HU070: 5,5 mm nut driver for wheel spokes

UT-HU070: Clé à rayons de 5,5 mm

UT-HU070: 5,5 mm Nippelspanner

UT-HU060: Chiave per raggi ruote Bora (fino a gamma '02 - per gamma '03 e successive vedi pag. 120)

UT-HU060: Bora wheel truing tool (till '02 range - from '03 range see page 120)

UT-HU060: Clé à rayons pour roues Bora (jusqu'à la gamme '02 - pour la gamme '03 et suivantes v. page 120)

UT-HU060: Vierkant-Nippelspanner für Bora (bis '02 Produktlinie - ab '03 Produktlinie siehe S. 120)

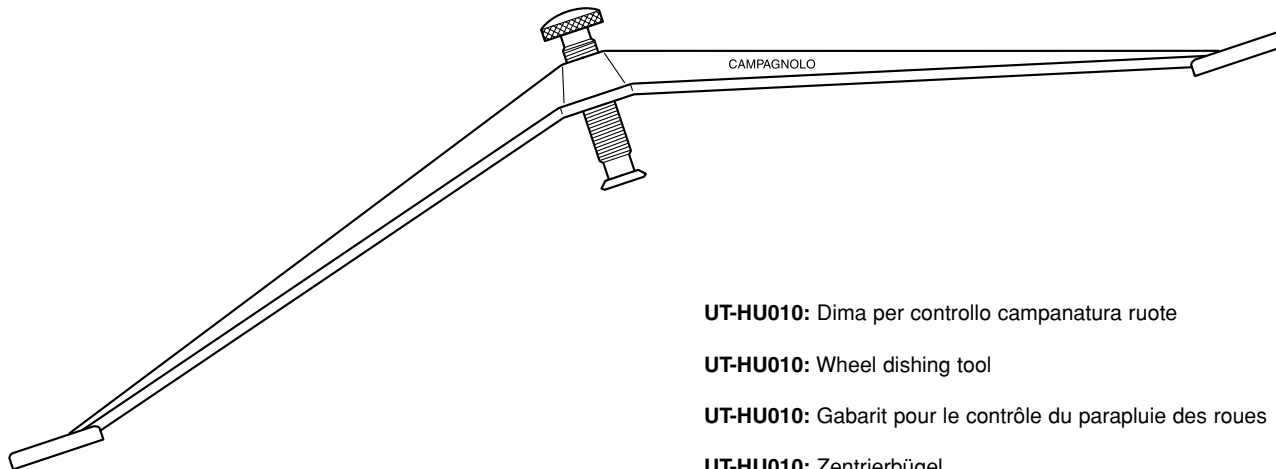
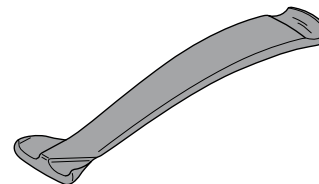
HUBS & WHEELS

WH-009HYC: Leva in composito per rimozione copertoncino

WH-009HYC: Composite lever for removing clinchers

WH-009HYC: Démonte-pneus en composite

WH-009HYC: Reifenheber aus Verbundwerkstoff zum Abnehmen des Drahtreifens



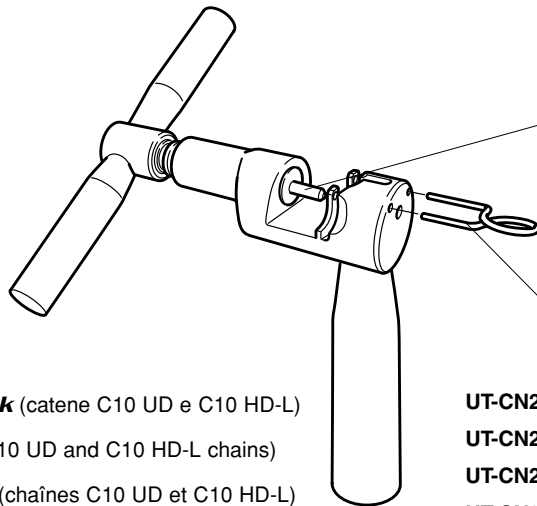
UT-HU010: Dima per controllo campanatura ruote

UT-HU010: Wheel dishing tool

UT-HU010: Gabarit pour le contrôle du parapluie des roues

UT-HU010: Zentrierbügel

SPROCKETS / CHAIN



UT-CN200: Utensile per **HD-Link** (catene C10 UD e C10 HD-L)

UT-CN200: Tool for **HD-Link** (C10 UD and C10 HD-L chains)

UT-CN200: Outil pour **HD-Link** (chaînes C10 UD et C10 HD-L)

UT-CN200: Werkzeug für **HD-Link** (C10 UD und C10 HD-L Ketten)

UT-CN201: Spintore per UT-CN200

UT-CN201: Pusher for UT-CN200

UT-CN201: Poinçon pour UT-CN200

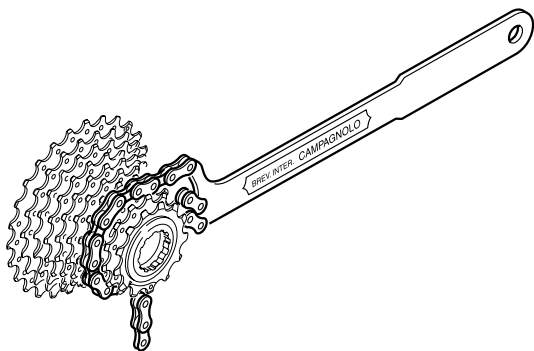
UT-CN201: Schieber für UT-CN200

UT-CN202: Dispositivo di blocco per UT-CN200

UT-CN202: Clamping device for UT-CN200

UT-CN202: Dispositif de blocage pour UT-CN200

UT-CN202: Sperrvorrichtung für UT-CN200



UT-CS060: Chiave con catena 10s per smontaggio pignoni 10s, 9s e 8s

UT-CS060: Spanner with 10s chain for 10, 9 and 8s sprockets

UT-CS060: Fouet à chaîne 10s pour pignons 10s, 9s et 8s

UT-CS060: Zahnkranzabnehmer mit Rennkette 10s für 10-, 9- und 8s Ritzeln

ITALY - Central Service Center**CAMPAGNOLO SRL HEADQUARTERS**

Via della Chimica, 4 - 36100 VICENZA

Phone: +39-0-444-225605

Fax: +39-0-444-225606

E-mail: service@campagnolo.com

AUSTRALIA**CYCLING PROJECTS**

80 King Street,

NSW 2193 Ashbury

Phone: +61-2-97992407

Fax: +61-2-97879940

AUSTRIA**CAMPAGNOLO DEUTSCHLAND GMBH**

An der Schusterinsel, 15

51379 LEVERKUSEN - DEUTSCHLAND

Phone: +49-2171-724320

Fax: +49-2171-724315

BENELUX**CARD BENELUX BV**

Vaartveld 19 - 4704 SE ROOSENDAAL

Netherlands

Phone: +31-165-564241

Fax: +31-165-563248

FA. WOUT VERHOEVEN

Rodenrijseweg 409 -

2651 AM BERKEL EN RODENRIJS - Netherlands

Phone: +31-10-5115014

Fax: +31-10-5117708

BENELUX (continued)**I.C.C. - INTERNATIONAL CYCLE CONNECTION**

Weststraat 42 - P.O. Box 73

4527 ZH AARDENBURG - Netherlands

Phone: +31-117-492820

Fax: +31-117-492835

CANADA**CYCLES MARINONI INC**

1067, Levis - LACHENAIE - QUEBEC J6W 4L2

Phone: +1-450-4717133

Fax: +1-450-4719887

GREAT WESTERN BICYCLE CO. LTD.

233 West Broadway

VANCOUVER BC V5Y 1P5

Phone: +1-604-8722424

Fax: +1-604-8720226

CZECH REPUBLIC**KOLA SIRER**

P.O. Box 107 - 26601 BEROUN 1

Phone: 00420-311-621355

Fax: 00420-311-625492

DENMARK**MARKER SCANDINAVIA**

Industrivej 1D - DK-4000

Roskilde - DENMARK

Phone: +45-70228075

Fax: +45-46498088

FINLAND**MARKER SCANDINAVIA**

Industrivej 1D - DK-4000

Roskilde - DENMARK

Phone: +45-70228075

Fax: +45-46498088

FRANCE**CAMPAGNOLO FRANCE**

42160 ANDREZIEUX - BOUTHEON CEDEX

Phone: +33-477-556305

Fax: +33-477-556345

GERMANY**CAMPAGNOLO DEUTSCHLAND GMBH**

An der Schusterinsel, 15

51379 LEVERKUSEN

Phone: +49-2171-724320

Fax: +49-2171-724315

GREECE**CYCLES FIDUSA**

Th. Sofuli 97 - 85100 RHODOS

Phone: +30-241-021264

Fax: +30-241-021519

JAPAN**CAMPAGNOLO JAPAN LTD**

65 Yoshida-cho, Naka-ku, Yokohama

231-0041 JAPAN

Phone: +81-45-264-2780

Fax: +81-45-241-8030

KAWASHIMA CYCLE SUPPLY CO.

No. 3-3-16 Kitasho-cho, Sakai,

Osaka, 590-0007

Phone: +81-722-38-6126

Fax: +81-722-21-4379

NICHINAO SHOKAI CO., LTD

6-16-8, Sotokanda, Chiyodaku

TOKYO 101

Phone: +81-3-38326251

Fax: +81-3-38326266

NEW ZEALAND

WH WORRALL CO. LTD.

43 Felix St./Penrose - P.O. Box 12481
AUCKLAND
Phone: +64-9-6360641
Fax: +64-9-6360631

NORWAY

MARKER SCANDINAVIA

Industrivej 1D - DK-4000
Roskilde - DENMARK
Phone: +45-70228075
Fax: +45-46498088

SOUTH AFRICA

RIBBENS INTERNATIONAL CC

169 Meerlust Street
Willow Glen - PRETORIA
Tel. +27-012-8075570
Fax +27-012-8074267

SPAIN

CAMPAGNOLO IBERICA S.L.

Avda. de Los Huetos 46 Pab. 31 - 01010
VITORIA
Phone: +34-945-217195
Fax: +34-945-217198

SWEDEN

MARKER SCANDINAVIA

Industrivej 1D - DK-4000
Roskilde - DENMARK
Phone: +45-70228075
Fax: +45-46498088

SWITZERLAND

PIERO ZURINO AG

Flawilerstrasse 3a
9500 WIL SG
Phone: +41-71-9236001
Fax: +41-71-9236353

U.G.D. SPORT DIFFUSION S.A.

La Taille - 2053 CERNIER
Phone: +41-32-8536363
Fax: +41-32-8536464

UNITED KINGDOM

ITALIAN CYCLE PRODUCTS LIMITED

Unit 3, Napoleon Business Park
Wheterby Road - DERBY - DE24 8HL
Phone: +44-01332-371176
Fax: +44-01332-371179

UNITED STATES

CAMPAGNOLO USA INC.

2105-L Camino Vida Roble
CARLSBAD - CA 92009
Phone: +1-760-9310106
Fax: +1-760-9310991

OCHSNER INT. INC

246 E. Marquardt Drive - WHEELING
Il. 60090-6430
Phone: +1-847-4658200
Fax: +1-847-4658282

UNITED STATES (continued)

QUALITY BICYCLES PRODUCTS

6400 W. 105th Street - BLOOMINGTON,
MN 55438-2554
Phone: +1-952-941-9391
Fax: +1-952-941-9799

THE HAWLEY COMPANY, INC.

1181 South Lake Drive
Lexington, SC 29073-7744
Tel. +1-803.359.3492 x 192
Fax +1-803.359.1343

Avviso Importante su PRESTAZIONI, SICUREZZA E GARANZIA

I componenti delle trasmissioni 9s e 10s, gli impianti frenanti, e la maggior parte dei componenti Campagnolo®, sono progettati come un unico sistema integrato. Per non compromettere la SICUREZZA, le PRESTAZIONI, la LONGEVITA', la FUNZIONALITA' e per non invalidare la GARANZIA, vi raccomandiamo di utilizzare **esclusivamente** i componenti specificati dalla Campagnolo Srl, senza interfacciarli o sostituirli con prodotti fabbricati da altre aziende.

Important PERFORMANCE, SAFETY and WARRANTY Notice

The components of the 9s and 10s drivetrains, the braking systems, and most Campagnolo® components, are designed as a single integrated system. To avoid compromises in terms of SAFETY, PERFORMANCE, DURABILITY, FUNCTION, and to prevent voiding the WARRANTY, we recommend that you **only** use the components specified by Campagnolo Srl, without interfacing them with or substituting them with products manufactured by other companies.

Notice important sur PERFORMANCES, SECURITE ET GARANTIE

Les composants des transmissions 9s et 10s, les freins et la plus part des composants Campagnolo®, sont projetés come un seul système intégré. Pour ne pas compromettre la SECURITE, les PERFORMANCES, la LONGEVITE, la FONCTIONNALITE et pour ne pas invalider la GARANTIE, on vous recommande **de n'utiliser que** les composants spécifiés par Campagnolo Srl, sans les relier avec ou les remplacer par des produits fabriqués par d'autres sociétés.

Wichtiger Hinweis zu PRODUKTLEISTUNG, SICHERHEIT und GARANTIE

Die Komponenten der 9s und 10s Antriebssysteme, des Bremssystems, sowie Großteil der von Campagnolo® hergestellten Komponenten, wurden als Bestandteile eines integrierten Systems entwickelt. Um die SICHERHEIT, die LEISTUNG, die DAUER, die FUNKTIONSTÜCHTIGKEIT und die GARANTIE nicht zu beeinträchtigen, empfehlen wir den **ausschließlichen** Gebrauch der von Campagnolo Srl spezifizierten Bestandteile und diese nicht mit Produkten anderer Hersteller zu ersetzen oder zu kombinieren.

Avviso Importante sobre PRESTACIONES, SEGURIDAD Y GARANTÍA.

Los componentes de las transmisiones 9s y 10s, los sistemas de frenado, y la mayor parte de componentes Campagnolo®, han sido ideados como un único sistema integrado. Con el fin de no comprometer la SEGURIDAD, las PRESTACIONES, la LONGEVIDAD, la FUNCIONALIDAD y no invalidar la GARANTÍA, os aconsejamos utilizar **exclusivamente** los componentes especificados por Campagnolo Srl, sin combinarlos o sustituirlos con productos fabricados por otras empresas.

Campagnolo, Campy, Record, Chorus, EPS, CT, Centaur, Centaur Century Grey, Veloce, Mirage, Xenon, Hyperon, Hyperon Ultra, Neutron, Neutron Carbon, Proton, Eurus, Eurus Carbon, Zonda, Scirocco, Bora, Ghibli, Vento, Pista, Ergobrain, Ergobrain10, Superlative, Ultra, Floating-Link-Action, HD-Link, HD-L, Exa-Drive, Ultra-Drive, Pro-Fit, Pro-Fit PLUS, Differential brakes, Threadless, Hiddenset, Hiddenset TTC, TTC, Ergopower, Ergopower FB, Ergopower Flat Bar, BB System, C10, C9, ED, UD, HPW, G3, Ultralinear-Geometry, Ultralinear, Differential rims, Differential spokes, Asymmetric, AC-H, AC-S, SC-S, Pro-Shop, Tecnologia ed Emozione are Campagnolo Srl Trademarks.



CAMPAGNOLO IN THE WORLD

ITALY

CAMPAGNOLO S.R.L.
Via della Chimica, 4 • 36100 Vicenza • ITALY
Phone: +39-0444-225500 • Fax: +39-0444-225400

FRANCE

CAMPAGNOLO FRANCE SARL
Rue Jean Autelin • B.P. 148 • 42160 Andrézieux • Bouthéon
Cedex • FRANCE
Phone: +33-477-556305 • Fax: +33-477-556345

GERMANY

CAMPAGNOLO DEUTSCHLAND GMBH
An der Schusterinsel 15 • 51379 Leverkusen • GERMANY
Phone: +49-2171-72430 • Fax: +49-2171-724315

JAPAN

CAMPAGNOLO JAPAN LTD
65 Yoshida-cho, Naka-ku, Yokohama • 231-0041 JAPAN
Phone: +81-45-264-2780 • Fax: +81-45-241-8030

SPAIN

CAMPAGNOLO IBERICA S.L.
Avda. de Los Huetos 46 Pab. 31 • 01010 Vitoria • SPAIN
Phone: +34-945-217195 • Fax: +34-945-217198

UNITED STATES

CAMPAGNOLO USA INC.
2105-L Camino Vida Roble • Carlsbad CA 92009 • U.S.A.
Phone: +1-760-9310106 • Fax: +1-760-9310991

SERVICE AND TECHNICAL INFORMATION:

ITALY (CENTRAL)

Technical Information: Phone: +39-0444-225600 •
Fax: +39-0444-225400
Service Center: Phone: +39-0444-225605 •
Fax: +39-0444-225606

FRANCE

Phone: +33-477-554449 • Fax: +33-477-556345

GERMANY

Phone: +49-2171-724320 • Fax: +49-2171-724315

SPAIN

Phone: +34-945-217195 • Fax: +34-945-217198

U.S.A.

Phone: +1-760-9310106 • Fax: +1-760-9310991

AGENCIES

AUSTRALIA

CYCLING PROJECTS
80 King Street • NSW 2193 Ashbury • AUSTRALIA •
Tel. +61-2-97992407 • Fax +61-2-97879940

BENELUX

INTERNATIONAL CYCLE CONNECTION • I.C.C. • Weststraat 42
P.O. Box 73 • 4527 ZH Aardenburg • NEDERLAND •
Tel. +31-11-7492820 • Fax +31-11-7492835

BULGARIA • CZECH REPUBLIC • POLAND • RUMANIA SLOVAKIAN REPUBLIC • SLOVENIA • HUNGARY

FIRMA GALLIZIA
10. Oktoberstraße 7 • 9800 Spittal/Drau • AUSTRIA •
Tel. +43-4762/2275 • Fax +43-4762/2275

DENMARK • SWEDEN • NORWAY • FINLAND

MARKER SCANDINAVIA
Industrivej 1D • DK-4000 ROSKILDE • DENMARK •
Tel.: +45-70228075 • Fax: +45-46498088

SOUTH AMERICA AND MEXICO

GEORGE PANARA
Sao Paulo - BRASIL - Tel.: +55 11 4436 9123 - Fax: +55 11 4436 12 13

TAIWAN • MAINLAND CHINA • VIETNAM

COLMAX INTERNATIONAL LTD
2F, No.23 Lane 229 • Kuang Hwa Street • Tainan • TAIWAN
Tel. +886-6-2656001 • Fax +886-6-2651388

UNITED KINGDOM

SELECT CYCLE COMPONENTS
Unit 3, Napoleon Business Park • Wheterby Road • DERBY • DE24 8HL
Tel. +44-0780260628 • Fax +44-1949-829039