

2004 Spare Parts and Tools Catalogue

Campagnolo[®]

SERIE STERZO • HEADSET • STEUERSATZ • JEU DE DIRECTION

Record™ - Record™ Threadless™ 1" - 1-1/8"	1
Record™ Hiddenset™ 1-1/8" - 1-1/8" TTC	2
Chorus™ - Chorus™ Threadless™	3
Chorus™ Hiddenset™ 1-1/8" - 1-1/8" TTC™ - Centaur™ Hiddenset™ 1-1/8"	4

REGGISSELLA • SEAT POST • SATTELSTÜTZE • TIGE DE SELLE

Record™ Carbon - Chorus™ Carbon - Centaur™	5
--	---

MOVIMENTO CENTRALE • BOTTOM BRACKET • INNENLAGER • JEU DE PEDALIER

Record™ - Chorus™ - Record™ Pista™	6
AC-H™ - AC-H™ C-GREY™ - AC-S™	7

GUARNITURA • CRANKSET • KETTENRADGARNITUR • PEDALIER

Record™ 10s	8
Record™ Carbon 10s	9
Record™ Triple 10s	10
Record™ Pista™	11
Chorus™ 10s	12
Chorus™ Carbon 10s	13
Chorus™ Triple 10s	14
Centaur™ 10s - Centaur™ C-GREY™ 10s	15
Centaur™ Triple 10s - Centaur™ Triple C-GREY™ 10s	16
Veloce™ 10s - Veloce™ 9s	17
Veloce™ Triple 10s - Veloce™ Triple 9s	18
Mirage™ Black 9s	19
Mirage™ Triple Black 9s	20
Xenon™ 9s	21
Xenon™ Triple 9s	22
Chrono / Triathlon	23

CAMBIO • REAR DERAILLEUR • SCHALTUNG • DERAILLEUR ARRIERE

Record™ 10s	24
Chorus™ 10s	25
Centaur™ 10s	26
Centaur™ C-GREY™ 10s	27

CAMBIO • REAR DERAILLEUR • SCHALTUNG • DERAILLEUR ARRIERE (continued)

Veloce™ 10s - Veloce™ 9s	28
Mirage™ Black 9s	29
Xenon™ 9s	30

DERAGLIATORE • FRONT DERAILLEUR • UMWERFER • DERAILLEUR AVANT

Record™ 10s	31
Chorus™ 10s	32
Record™ Triple 10 - Chorus™ Triple 10s	33
Centaur™ 10s - Centaur™ C-GREY™ 10s	34
Centaur™ Triple 10s - Centaur™ Triple C-GREY™ 10s	35
Veloce™ 10s	36
Veloce™ Triple 10s - Mirage™ Black 9s - Mirage™ Triple Black 9s	37
Xenon™ 9s - Xenon™ Triple 9s	38

ERGOPOWER™

Record™ 10s	39
Chorus™ 10s	40
Centaur™ 10s - Centaur™ C-GREY™ 10s	41
Veloce™ 10s - Veloce™ 9s	42
Mirage™ Black 9s	43
Xenon™ 9s	44
Ergopowers / rear derailleurs cross compatibility	45

FRENI • BRAKES • BREMSSEN • FREINS

Record-D™ “black” - Record-D™ “silver”	47
Chorus-D™	48
Centaur™ - Centaur™ C-GREY™	49
Veloce™	50
Mirage™ Black	51
Xenon™	52

BAR-END

Bar-End Chrono/Triathlon	53
--------------------------------	----

COMANDI FRENO • BRAKE LEVERS • BREMSHEBEL • POIGNEES DE FREINS

Record™ Carbon	54
----------------------	----

BLOCCAGGI • QUICK RELEASES • SCHNELLSPANNER • BLOCAGES

Record™ - Bora™ - Eurus™ - Ghibli™ - Hyperon™ - Neutron™	55
Chorus™	55
Centaur™ - Proton™ - Zonda™	56
Veloce™ - Scirocco™ - Vento™	56

MOZZI • HUBS • NABEN • MOYEUX

Record™ / Chorus™ / Centaur™ / Centaur™ C-GREY™ front hub	57
Record™ / Chorus™ / Centaur™ / Centaur™ C-GREY™ rear hub	58
Veloce™ / Mirage™ front and rear hub	59
Record™ Pista™ front and rear hub	60

GHIERE • LOCKRINGS • VERSCHLUSSRING • ECROUS

Complete range	62
----------------------	----

PIGNONI • SPROCKETS • RITZEL • CASSETTES

Record™ UD™ 10s	63
Record™ UD™ 10s Titanium	64
Chorus™ UD™ 10s	65
Centaur™ UD™ 10s	66
Veloce™ UD™ 10s	67
Veloce™ UD™ 9s (Mirage™ UD™ 9s compatible)	68

PEDALI • PEDALS • PEDALE • PEDALES

Record™ Pro-Fit PLUS	69
Chorus™ Pro-Fit PLUS	69
Centaur™ Pro-Fit PLUS	69
Other spares	70

CAVI E GUAINA • CABLES AND CASINGS • KABEL UND HÜLLEN • CABLES ET GAINES

Complete sets	72
Single parts	73

ERGOBRAIN™

Parts	74
-------------	----

VARI • VARIOUS • VERSCHIEDENES • DIVERSES

Ergopower™ blocks / 8s adapter kit for 9/10s / HD-Link™ for C10™ UD™ and C-10™ HD-L™ chains / Chain lubricant	76
Blister-packed spare parts	77

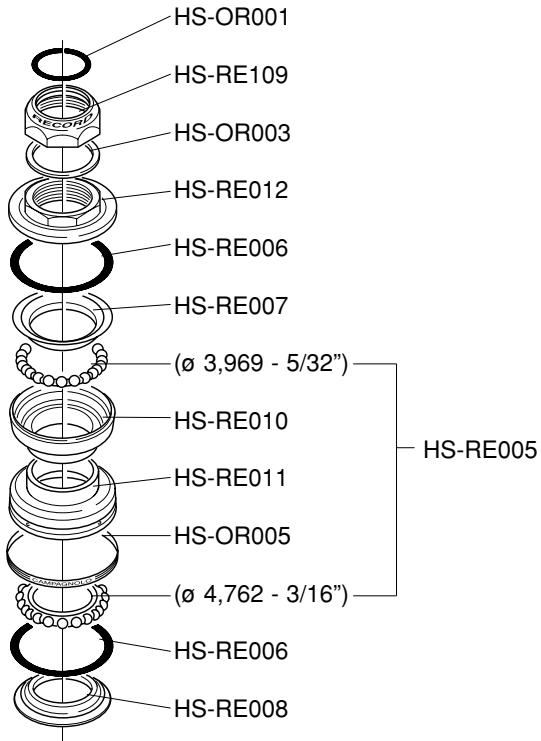
RUOTE • WHEELS • LAUFRÄDER • ROUES

LOW-PROFILE WHEEL - Hyperon™ clincher / Hyperon™ ULTRA™ clincher 9s / 10s	78
LOW-PROFILE WHEEL - Hyperon™ tubular 9s / 10s	79
LOW-PROFILE WHEEL - Neutron™ 9s / 10s	80
LOW-PROFILE WHEEL - Proton™ 9s / 10s	81
MEDIUM-PROFILE WHEEL - Eurus™ 9s / 10s	82
MEDIUM-PROFILE WHEEL - Zonda™ 9s / 10s	83
MEDIUM-PROFILE WHEEL - Scirocco™ 9s / 10s	84
MEDIUM-PROFILE WHEEL - Vento™ 9s / 10s	85
HIGH-PROFILE WHEEL - Bora™ “full carbon” 9s / 10s	86
HIGH-PROFILE WHEEL - Pista™	87
Bora™ “full carbon” / Hyperon™ tubular / Hyperon™ ULTRA™ clincher front hub	88
Bora™ “full carbon” / Hyperon™ tubular / Hyperon™ ULTRA™ clincher rear hub	89
Hyperon™ clincher / Neutron™ / Eurus™ / Zonda™ front hub	90
Hyperon™ clincher / Neutron™ / Eurus™ / Zonda™ rear hub	91
Proton™ front hub	92
Proton™ rear hub	93
Scirocco™ front and rear hub	94
Pista™ front hub	95
Pista™ rear hub	96
Vento™ front and rear hub	97

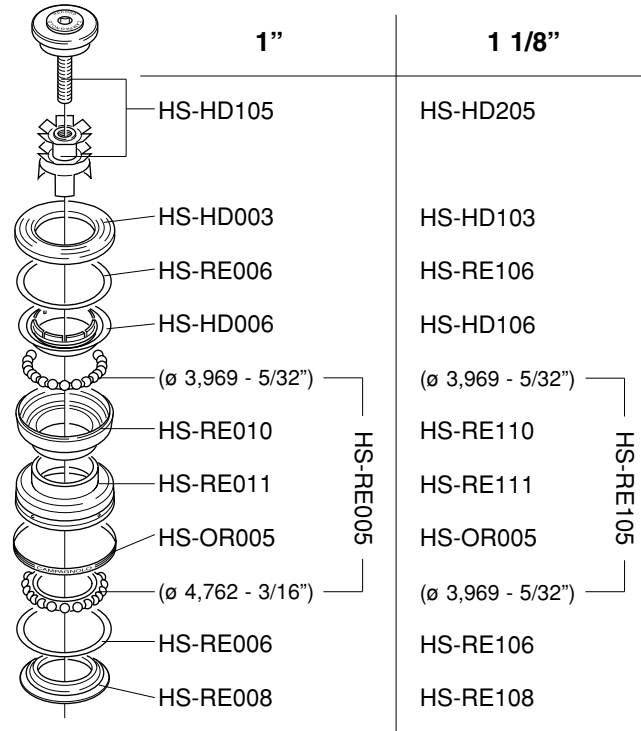
UTENSILI • TOOLS • WERKZEUGE • OUTILS

Recommended tools	98
Headset	99
Bottom bracket	105
Frame preparation	110
Cranks / chainrings	112
Hubs & wheels	114
Sprockets / chains	117
Service Centers	118

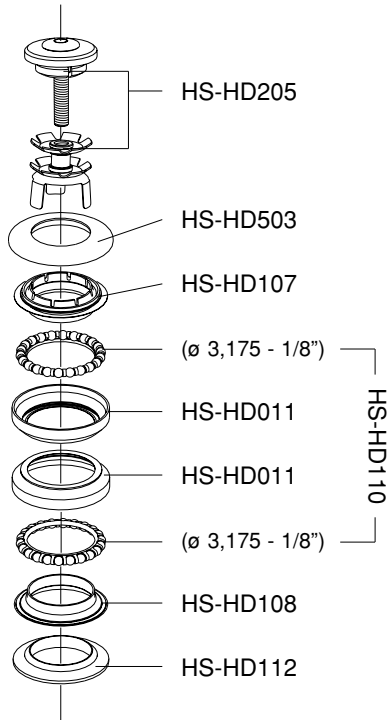
RECORD™
HS00-RE



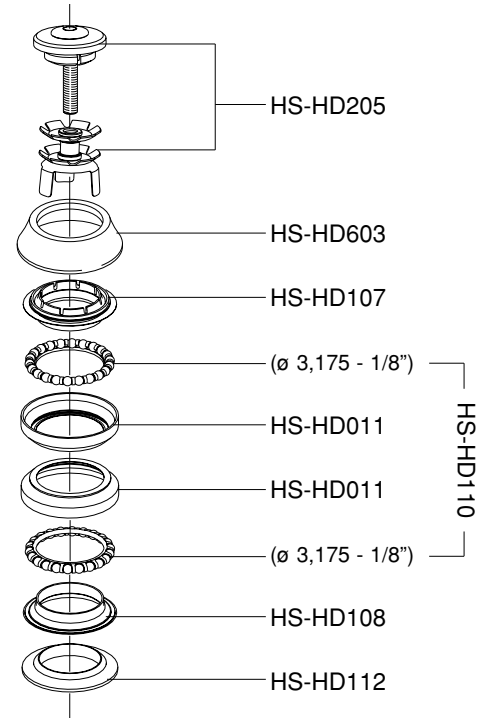
RECORD™ Threadless™
1": HS00-RETH
1 1/8": HS00-RETHOS



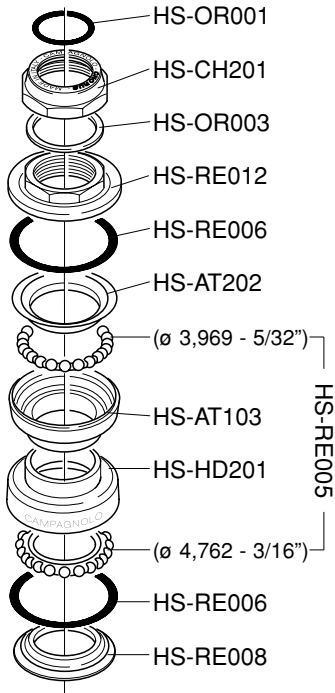
RECORD™ Hiddenset™
1 1/8": HS03-REHIOS



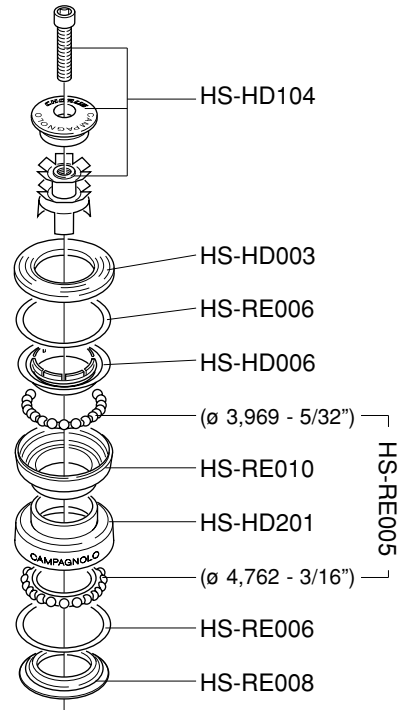
RECORD™ Hiddenset™
TTC™
1 1/8": HS03-REHIOST



CHORUS™
HS00-CH



CHORUS™
THREADLESS™
HS00-CHTH



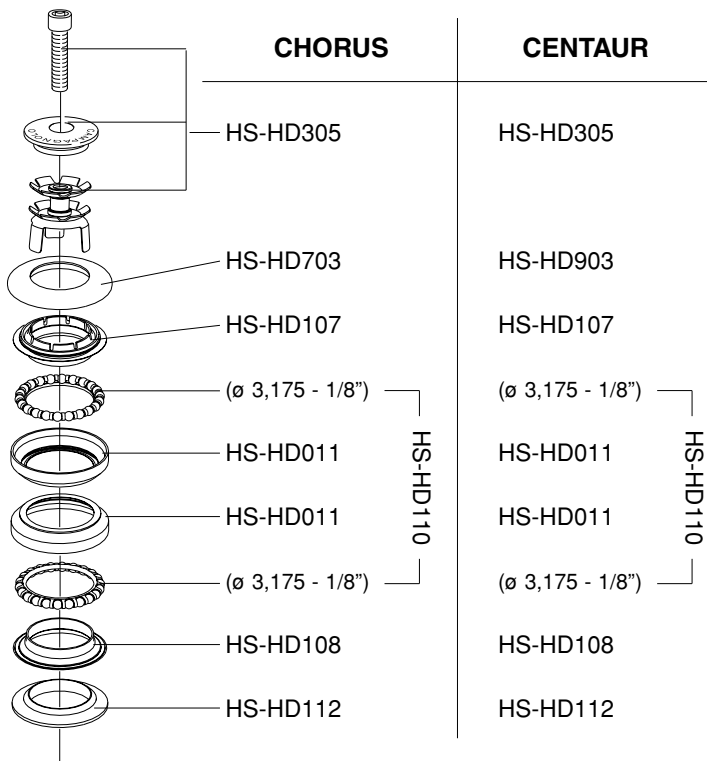
HEADSET

CHORUS™ Hiddenset™

1 1/8": HS03-CHHIOS

CENTAUR™ Hiddenset™

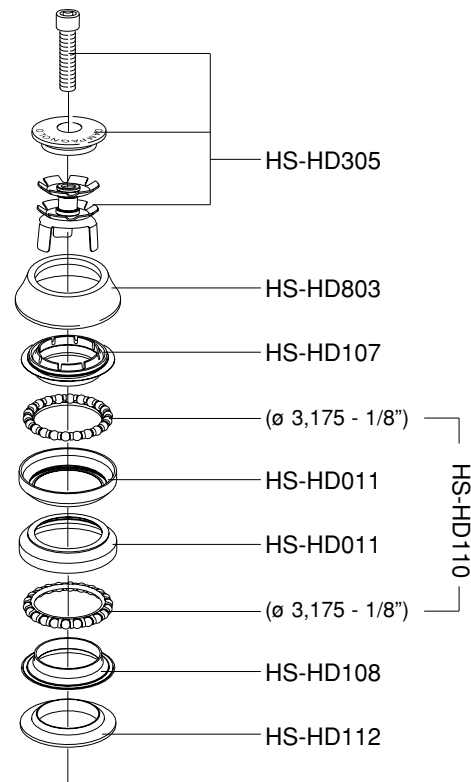
1 1/8": HS4-CEH8



CHORUS™ Hiddenset™

TTC™

1 1/8": HS03-CHHIOST



RECORD™

Carbon

SP4-RE27C
SP4-RE31CL
SP4-RE32CL

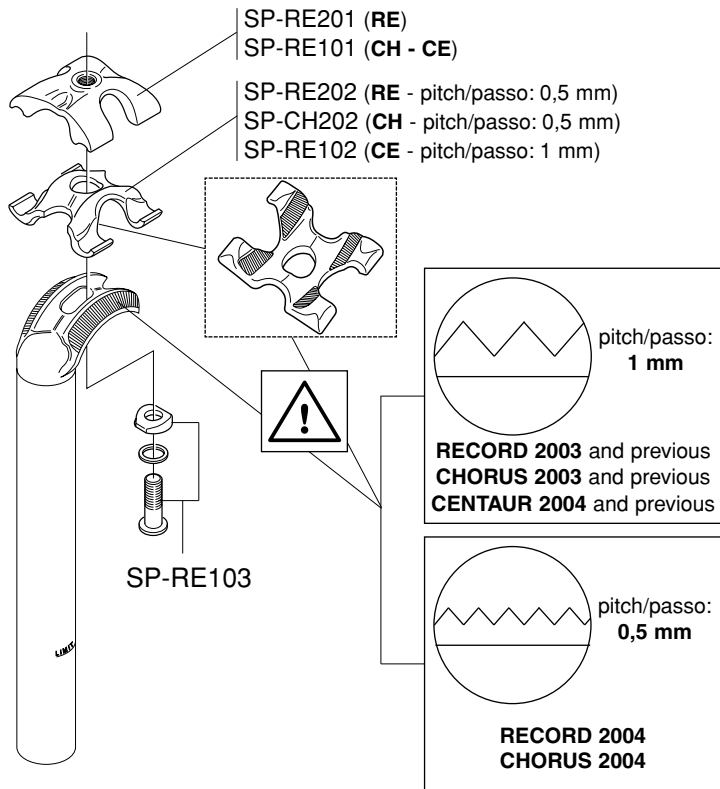
CHORUS™

Carbon

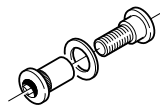
SP4-CH27C
SP4-CH31CL
SP4-CH32CL

CENTAUR™

SP4-CE27



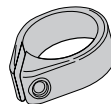
5-SP-RE104 (5 pcs.)
50-SP-RE104 (50 pcs.)



SP-RE106 (1 pc.)
5-SP-RE106 (5 pcs.)
per tubi Ø 31,6 / 31,9 mm
for tubes Ø 31,6 / 31,9 mm

SP-RE108 (1 pc.)
5-SP-RE108 (5 pcs.)
per tubi Ø 34,9 / 35,2 mm
for tubes Ø 34,9 / 35,2 mm

SP-RE107 (1 pc.)
5-SP-RE107 (5 pcs.)
per tubi Ø 35,5 / 35,8 mm
for tubes Ø 35,5 / 35,8 mm



WARNING!

With the 2004 product range the pitch of all the heads (5 - Fig. 1) on the RECORD™ and CHORUS™ seat post tubes and the relevant seat clamps (1 - Fig. 1) has been reduced from 1 mm to 0.5 mm. A seat clamp (1 - Fig. 1) with 0.5 mm pitch is not compatible with heads (5 - Fig. 1) with a 1-mm pitch and vice versa. NEVER use seat clamps and heads that are not compatible with one another; the seat clamp could slip causing you to lose control of your bicycle, resulting in an accident, personal injury or death.



ATTENZIONE!

A partire dalla gamma 2004 è stato dimezzato il passo (da 1 mm a 0,5 mm) di tutte le teste (5 - Fig. 1) e delle relative staffe inferiori (1 - Fig. 1) dei reggisella RECORD™ e CHORUS™. Una staffa (1 - Fig. 1) con passo da 0,5 mm non è compatibile con le teste (5 - Fig. 1) con passo da 1 mm e viceversa. Non utilizzate MAI staffe e teste non compatibili tra loro; la staffa potrebbe slittare e potreste incorrere in incidenti, lesioni fisiche o morte.

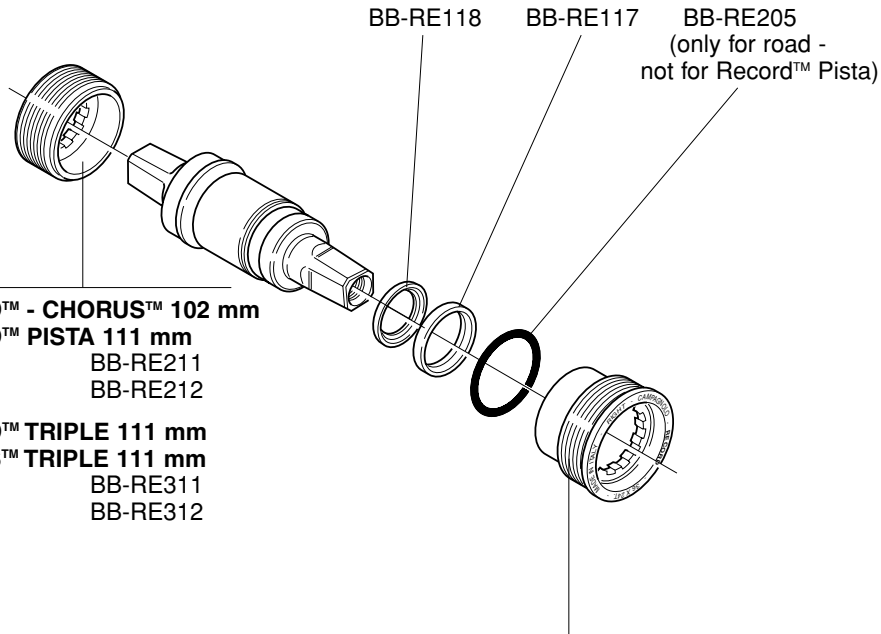
RECORD™ 102 mm
BB99-RE02IT
BB99-RE02BC

RECORD™ TRIPLE
111 mm
asymmetrical
BB02-RE11IT
BB02-RE11BC

CHORUS™ TRIPLE
111 mm
asymmetrical
BB03-CH11IT
BB03-CH11BC

CHORUS™ 102 mm
BB99-CH02IT
BB99-CH02BC

RECORD™ PISTA
111 mm
BB01-REPIIT
BB01-REPIBC



RECORD™ - CHORUS™ 102 mm
RECORD™ PISTA 111 mm
Italian: BB-RE211
English: BB-RE212

RECORD™ TRIPLE 111 mm
CHORUS™ TRIPLE 111 mm
Italian: BB-RE311
English: BB-RE312

RECORD™ 102 mm / RECORD™ PISTA 111 mm
Italian: BB-RE213
English: BB-RE214

RECORD™ TRIPLE 111 mm
Italian: BB-RE313
English: BB-RE314

CHORUS™ TRIPLE 111 mm
Italian: BB-CH313
English: BB-CH314

CHORUS™ 102 mm
Italian: BB-CH213
English: BB-CH214

AC-H™

111 mm

BB00-AH11IT

BB00-AH11BC

115,5 mm

BB00-AH15IT

BB00-AH15BC

AC-H™ C-GREY

111 mm

BB4-AHG1I

BB4-AHG1G

115,5 mm

BB4-AHG5I

BB4-AHG5G

AC-S™

111 mm

BB00-AS11IT

BB00-AS11BC

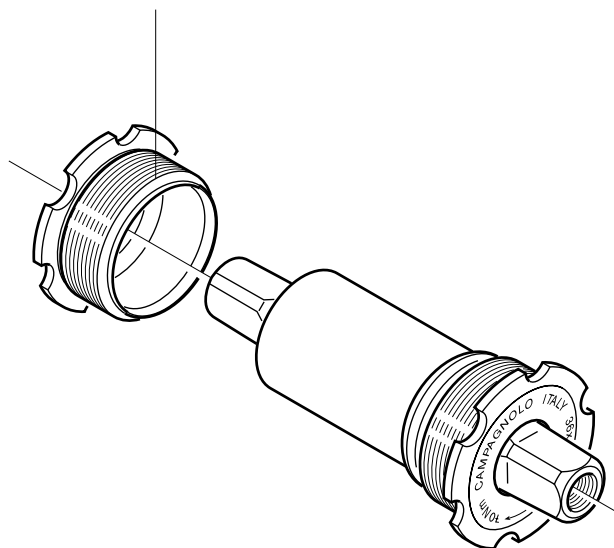
115,5 mm

BB4-AS5I

BB4-AS5G

ITALIAN: BB-AH001 (AC-H™, AC-S™)
BB-AHG001 (AC-H™ CENTURY GREY™)

ENGLISH: BB-AH003 (AC-H™, AC-S™)
BB-AHG003 (AC-H™ CENTURY GREY™)



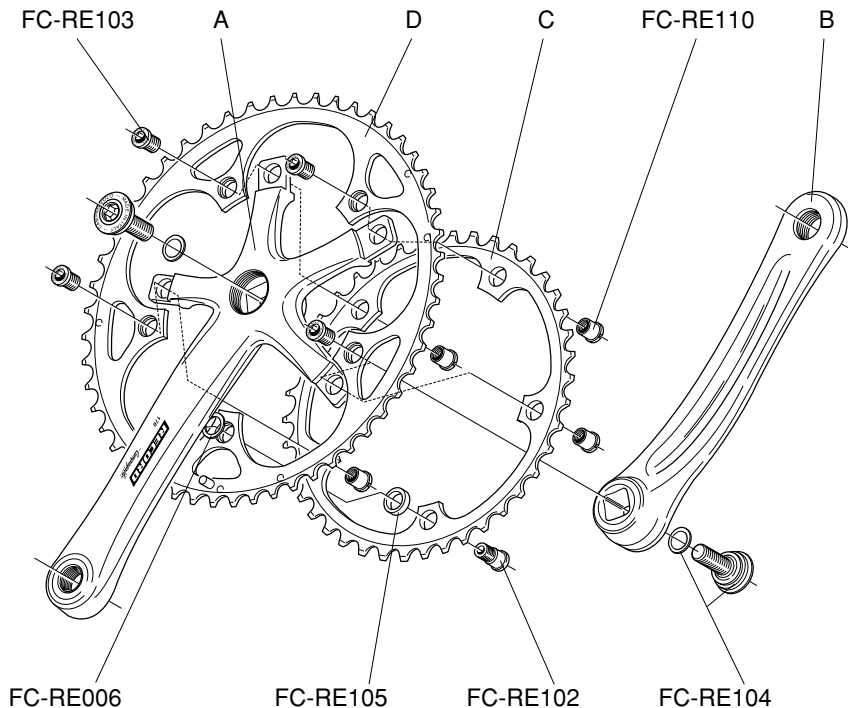
RECORD™ 10s **FC4-RE...X**

A	170 mm	FC-RE760
	172,5 mm	FC-RE762
	175 mm	FC-RE764
	177,5 mm	FC-RE766
	180 mm	FC-RE768

B	170 mm	FC-RE761
	172,5 mm	FC-RE763
	175 mm	FC-RE765
	177,5 mm	FC-RE767
	180 mm	FC-RE769

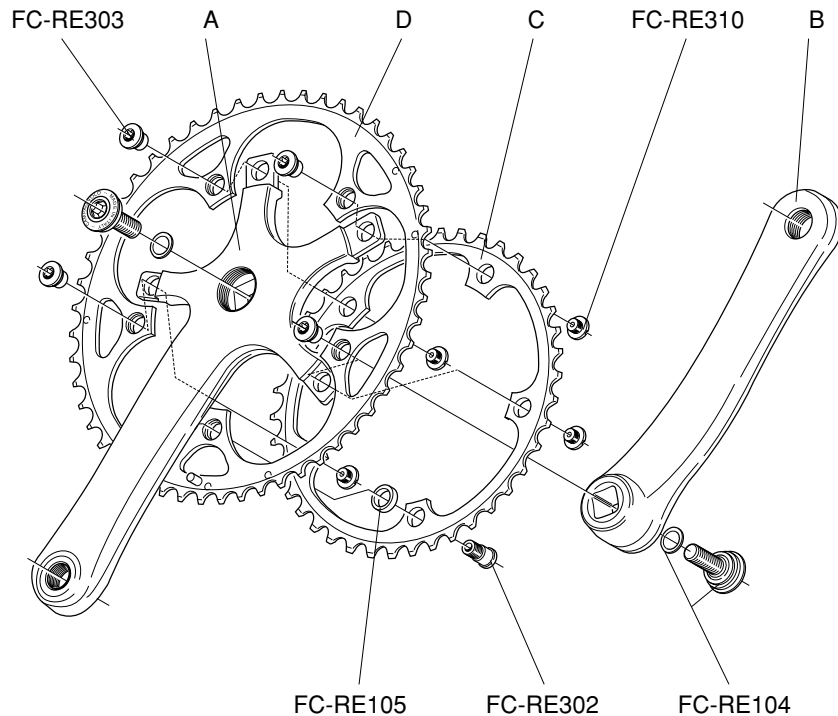
C	Z39	FC-RE139
	Z42	FC-RE342

D	Z52 for 39	FC-RE752
	Z52 for 42	FC-RE852
	Z53 for 39	FC-RE553



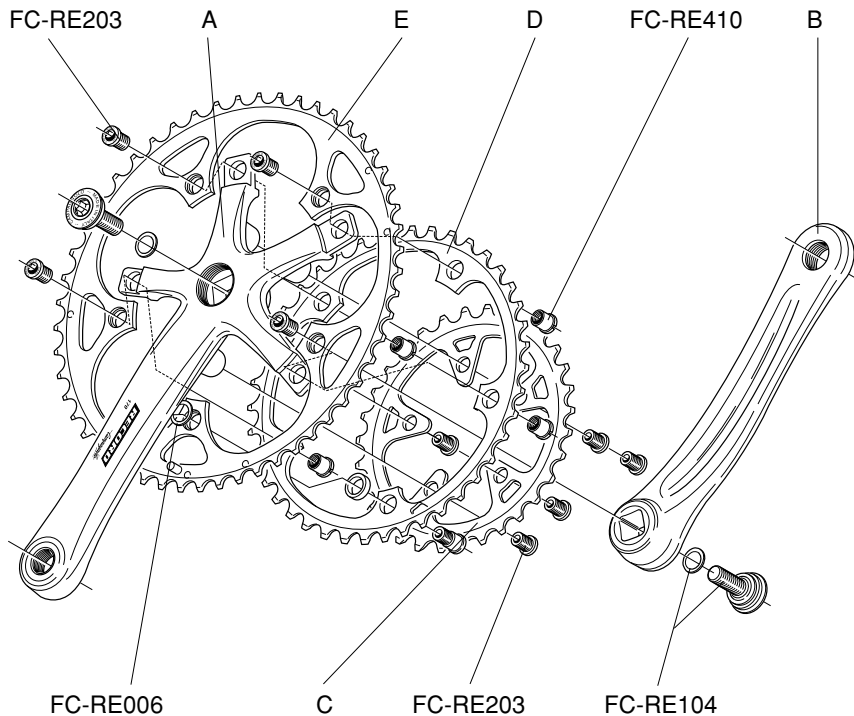
RECORD™
Carbon 10s
FC4-RE...C

A	170 mm	FC-RE860C
	172,5 mm	FC-RE862C
	175 mm	FC-RE864C
B	170 mm	FC-RE861C
	172,5 mm	FC-RE863C
	175 mm	FC-RE865C
C	Z39	FC-RE139
	Z42	FC-RE342
D	Z52 for 39	FC-RE752
	Z52 for 42	FC-RE852
	Z53 for 39	FC-RE553



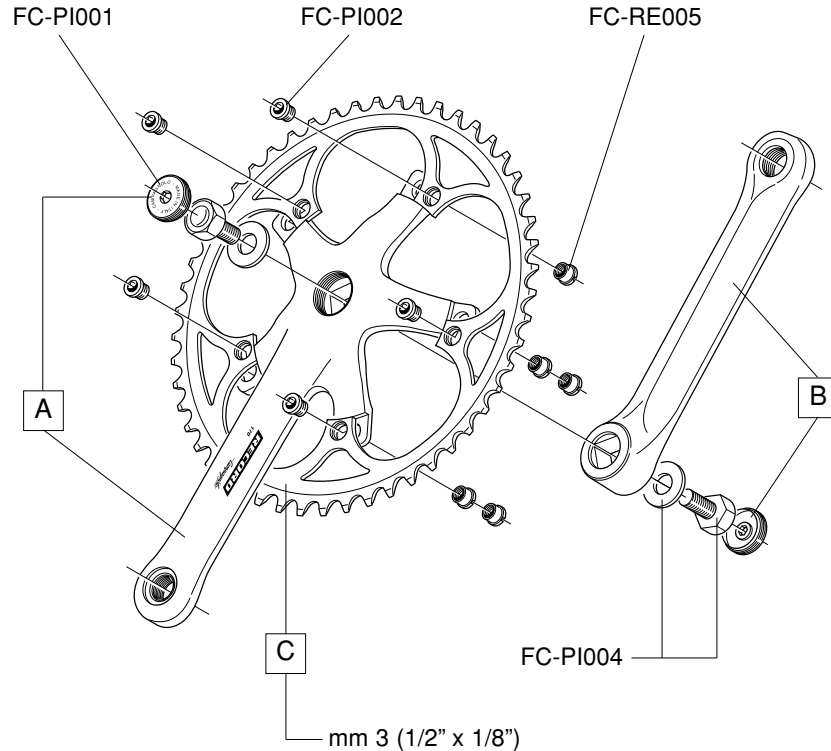
RECORD™
TRIPLE 10s
FC4-RE....X

A	170 mm	FC-RE830
	172,5 mm	FC-RE832
	175 mm	FC-RE834
B	170 mm	FC-RE831
	172,5 mm	FC-RE833
	175 mm	FC-RE835
C	Z30	FC-RE130
D	Z40 for 30	FC-RE140
	Z42 for 30	FC-RE642
E	Z50 for 40	FC-RE150
	Z53 for 42	FC-RE653



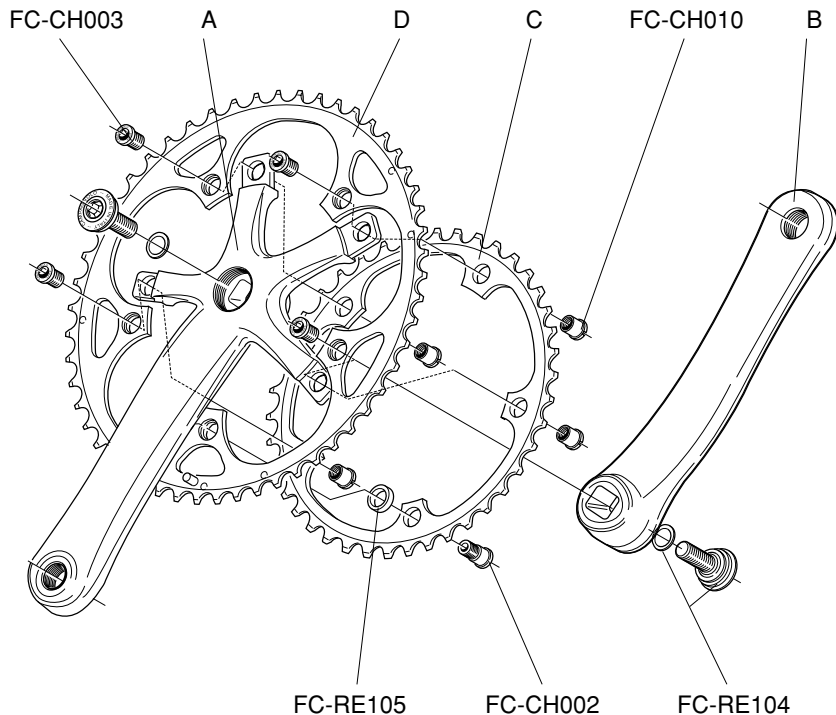
RECORD™
PISTA
FC01-REPI...

A	165 mm	FC-PI365
	170 mm	FC-PI370
B	165 mm	FC-PI465
	170 mm	FC-PI470
C	Z47	FC-PI047
	Z48	FC-PI048
	Z49	FC-PI049
	Z50	FC-PI050
	Z51	FC-PI051
	Z52	FC-PI052



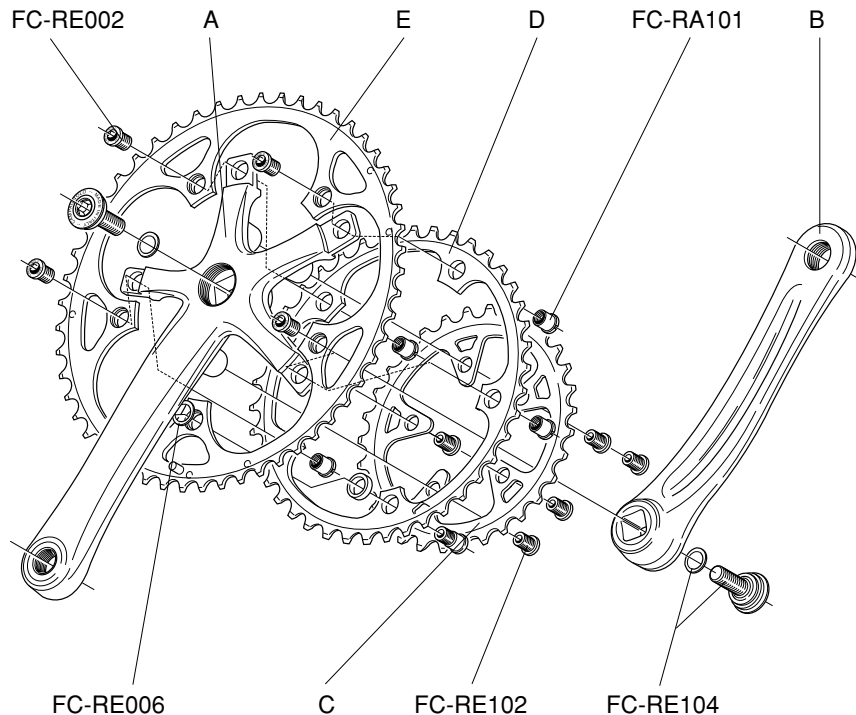
CHORUS™
Carbon 10s
FC4-CH...C

A	170 mm	FC-CH870C
	172,5 mm	FC-CH872C
	175 mm	FC-CH874C
B	170 mm	FC-CH871C
	172,5 mm	FC-CH873C
	175 mm	FC-CH875C
C	Z39	FC-RE039
	Z42	FC-RE142
D	Z52 for 39	FC-RE652
	Z52 for 42	FC-RE552
	Z53 for 39	FC-RE453



CHORUS™
TRIPLE 10s
FC4-CH....X

A	170 mm	FC-CH846
	172,5 mm	FC-CH848
	175 mm	FC-CH850
B	170 mm	FC-CH847
	172,5 mm	FC-CH849
	175 mm	FC-CH851
C	Z30	FC-RE030
D	Z40 for 30	FC-RE040
	Z42 for 30	FC-RE442
E	Z50 for 40	FC-RE050
	Z53 for 42	FC-RE053



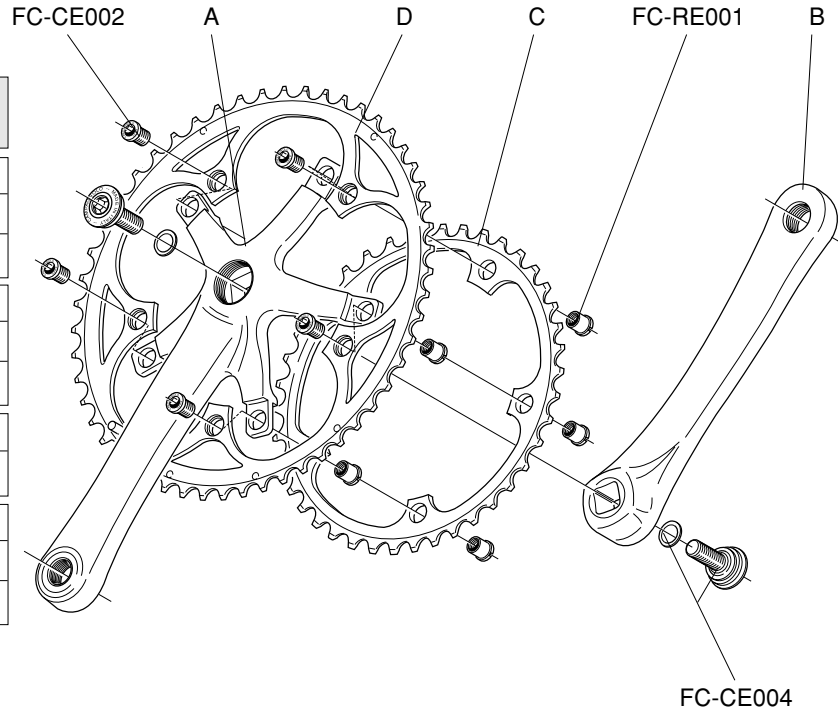
CENTAUR™ 10s

FC4-CE...X

CENTAUR™ CENTURY GREY™ 10s

FC4-CEG...X

		CENTAUR™	CENTAUR™ C-GREY
A	170 mm	FC-CE920	FC-CEG910
	172,5 mm	FC-CE922	FC-CEG912
	175 mm	FC-CE924	FC-CEG914
B	170 mm	FC-CE921	FC-CEG911
	172,5 mm	FC-CE923	FC-CEG913
	175 mm	FC-CE925	FC-CEG915
C	Z39	FC-RE039	FC-CEG039
	Z42	FC-RE142	FC-CEG042
D	Z52 for 39	FC-CH252	FC-CEG052
	Z52 for 42	FC-CH452	FC-CEG152
	Z53 for 39	FC-CH253	FC-CEG053



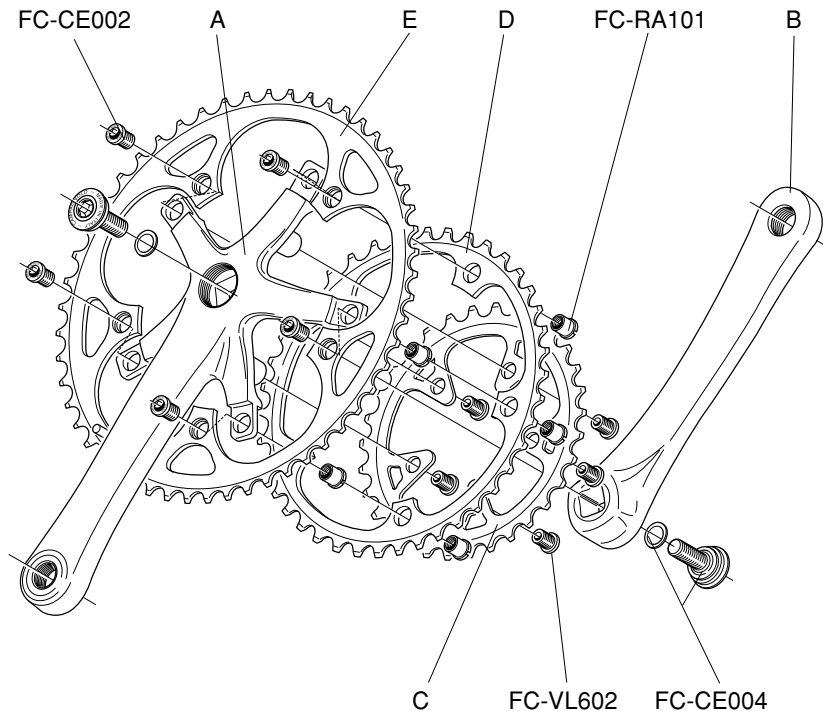
CENTAUR™ TRIPLE 10s

FC4-CE....X

CENTAUR™ TRIPLE CENTURY GREY™ 10s

FC4-CEG....X

		CENTAUR™	CENTAUR™ C-GREY
A	170 mm	FC-CE950	FC-CEG916
	175 mm	FC-CE952	FC-CEG918
B	170 mm	FC-CE951	FC-CEG917
	175 mm	FC-CE953	FC-CEG919
C	Z30	FC-RE030	FC-CEG030
D	Z40 for 30	FC-CE040	FC-CEG040
	Z42 for 30	FC-CE042	FC-CEG142
E	Z50 for 40	FC-CE050	FC-CEG050
	Z53 for 42	FC-CE053	FC-CEG053

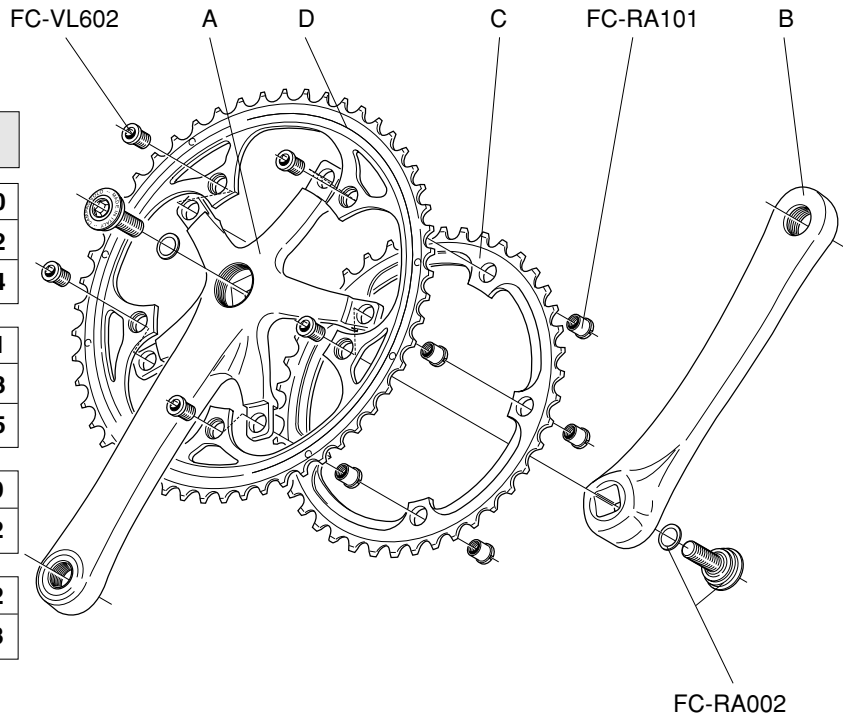


VELOCE™ 10s

FC4-VL...X

VELOCE™ 9s

FC01-VL...



		10s	9s
A	170 mm	FC-VL852	FC-VL790
	172,5 mm	FC-VL854	FC-VL792
	175 mm	FC-VL856	FC-VL794
B	170 mm	FC-VL853	FC-VL791
	172,5 mm	FC-VL855	FC-VL793
	175 mm	FC-VL857	FC-VL795
C	Z39	FC-VL039	FC-MI039
	Z42	FC-VL242	FC-MI042
D	Z52 for 42	FC-VL252	FC-MI352
	Z53 for 39	FC-VL053	FC-MI153

CRANKSET

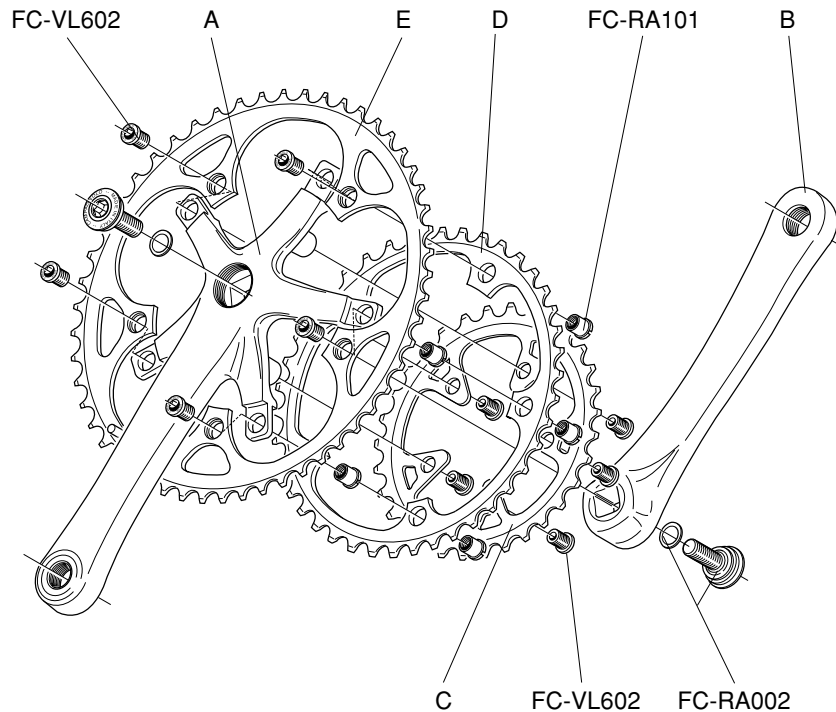
VELOCE™ TRIPLE 10s

FC4-VL....X

VELOCE™ TRIPLE 9s

FC01-VL....

		10s	9s
A	170 mm	FC-VL880	FC-VL796
	175 mm	FC-VL882	FC-VL798
B	170 mm	FC-VL881	FC-VL797
	175 mm	FC-VL883	FC-VL799
C	Z30	FC-VL030	FC-MI730
D	Z42 for 30	FC-VL342	FC-VL142
E	Z52 for 42	FC-VL252	FC-MI352



MIRAGE™ BLACK 95

FC4-MIB...

MIRAGE™ 95

FC4-MI...

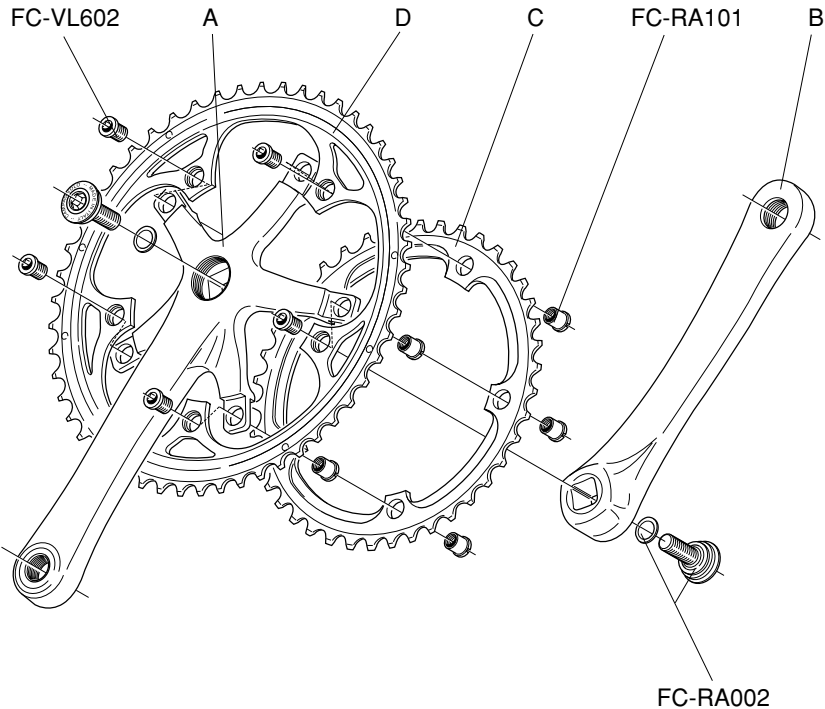
	MIRAGE™ BLACK	MIRAGE™
--	------------------	---------

A	170 mm	FC-MIB894	FC-MI810
	172,5 mm	FC-MIB896	FC-MI812
	175 mm	FC-MIB898	FC-MI814

B	170 mm	FC-MIB895	FC-MI811
	172,5 mm	FC-MIB897	FC-MI813
	175 mm	FC-MIB899	FC-MI815

C	Z39	FC-MIB039
	Z42	FC-MIB042

D	Z52 for 42	FC-MIB052
	Z53 for 39	FC-MIB053



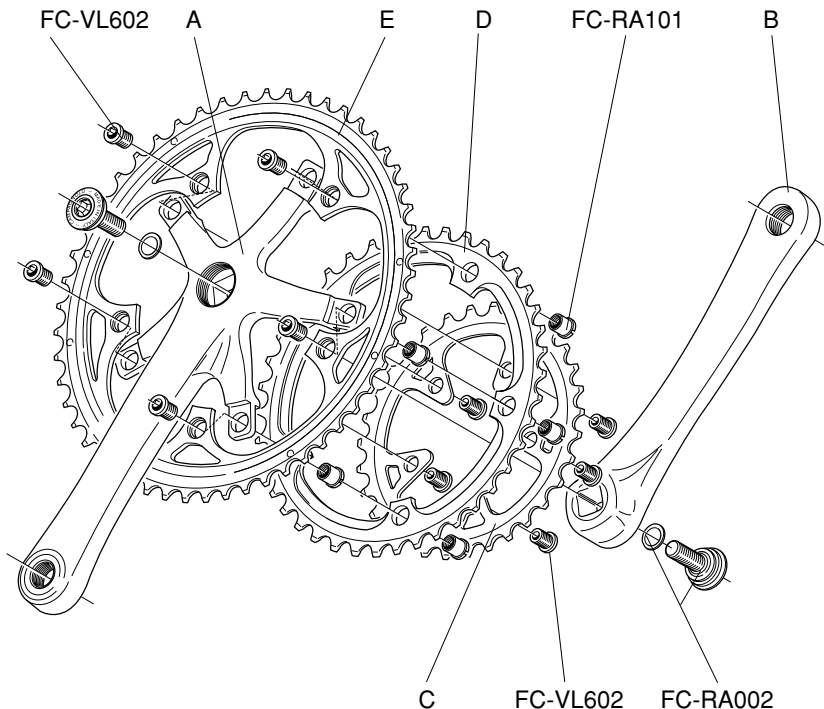
MIRAGE™ TRIPLE BLACK 95

FC4-MIB....

MIRAGE™ TRIPLE 95

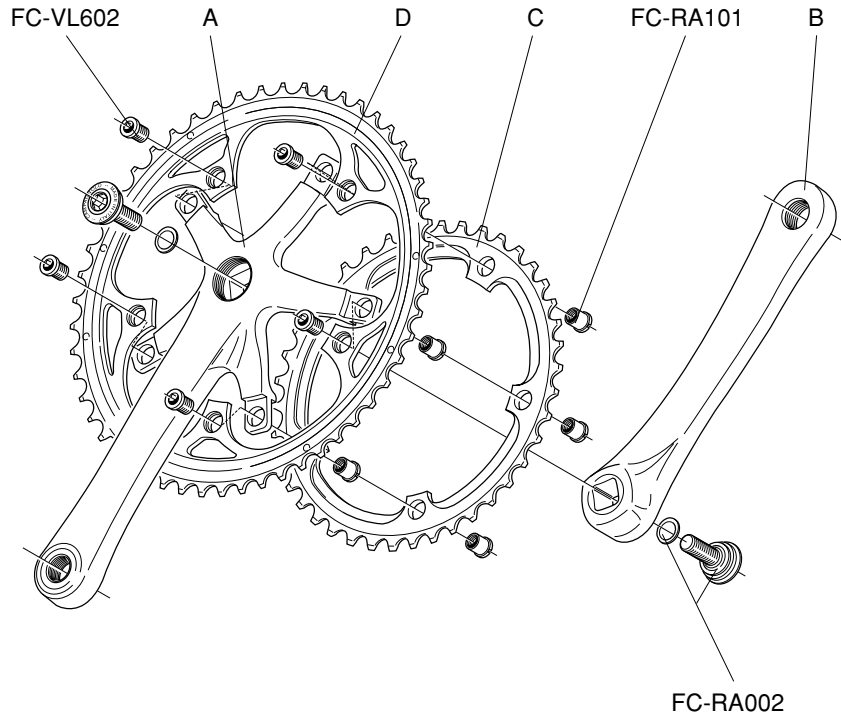
FC4-MI....

		MIRAGE™ BLACK	MIRAGE™
A	170 mm	FC-MIB900	FC-XE806
	175 mm	FC-MIB902	FC-XE808
B	170 mm	FC-MIB901	FC-XE807
	175 mm	FC-MIB903	FC-XE809
C	Z30	FC-MIB030	
D	Z42 for 30	FC-MIB142	
E	Z52 for 42	FC-MIB052	



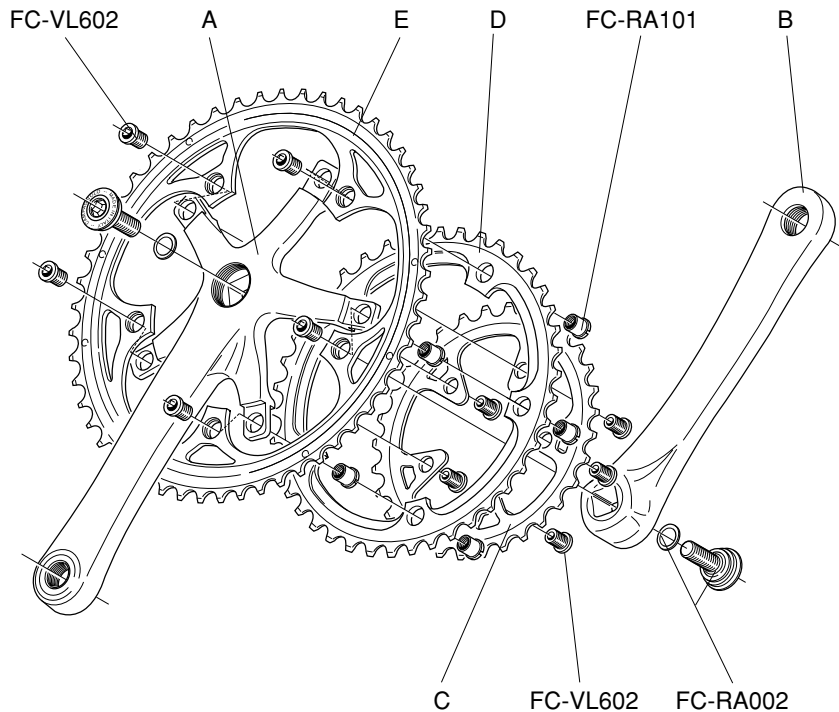
XENON™ 9s
FC02-XE...

A	170 mm	FC-XE800
	175 mm	FC-XE804
B	170 mm	FC-XE801
	175 mm	FC-XE805
C	Z39	FC-MI139
D	Z52 for 39	FC-XE052



XENON™
TRIPLE 9s
FC02-XE....

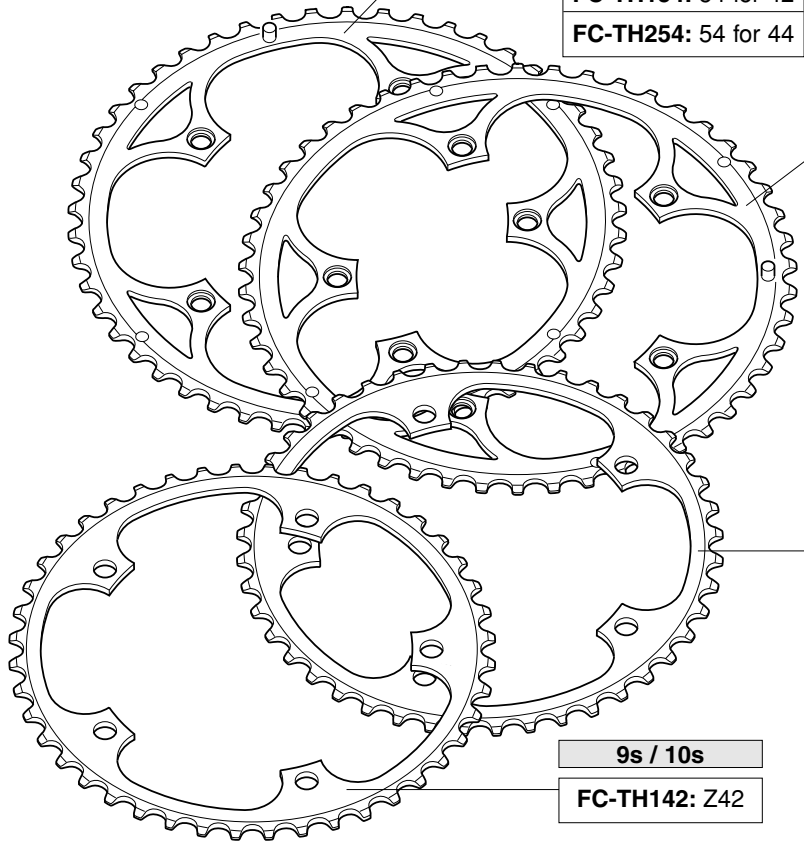
A	170 mm	FC-XE806
	175 mm	FC-XE808
B	170 mm	FC-XE807
	175 mm	FC-XE809
C	Z30	FC-MI030
D	Z42 for 30	FC-XE142
E	Z52 for 42	FC-XE252



**CHRONO /
TRIATHLON
CHAINRINGS**

9s	RECORD™ 10s	CHORUS™ 10s
FC-TH155: 55 for 42	FC-RETH155: 55 for 42	FC-CHTH155: 55 for 42
FC-TH255: 55 for 44	FC-RETH255: 55 for 44	FC-CHTH255: 55 for 44

9s	RECORD™ 10s	CHORUS™ 10s
FC-TH154: 54 for 42	FC-RETH154: 54 for 42	FC-CHTH154: 54 for 42
FC-TH254: 54 for 44	FC-RETH254: 54 for 44	FC-CHTH254: 54 for 44



9s / 10s
FC-TH144: Z44

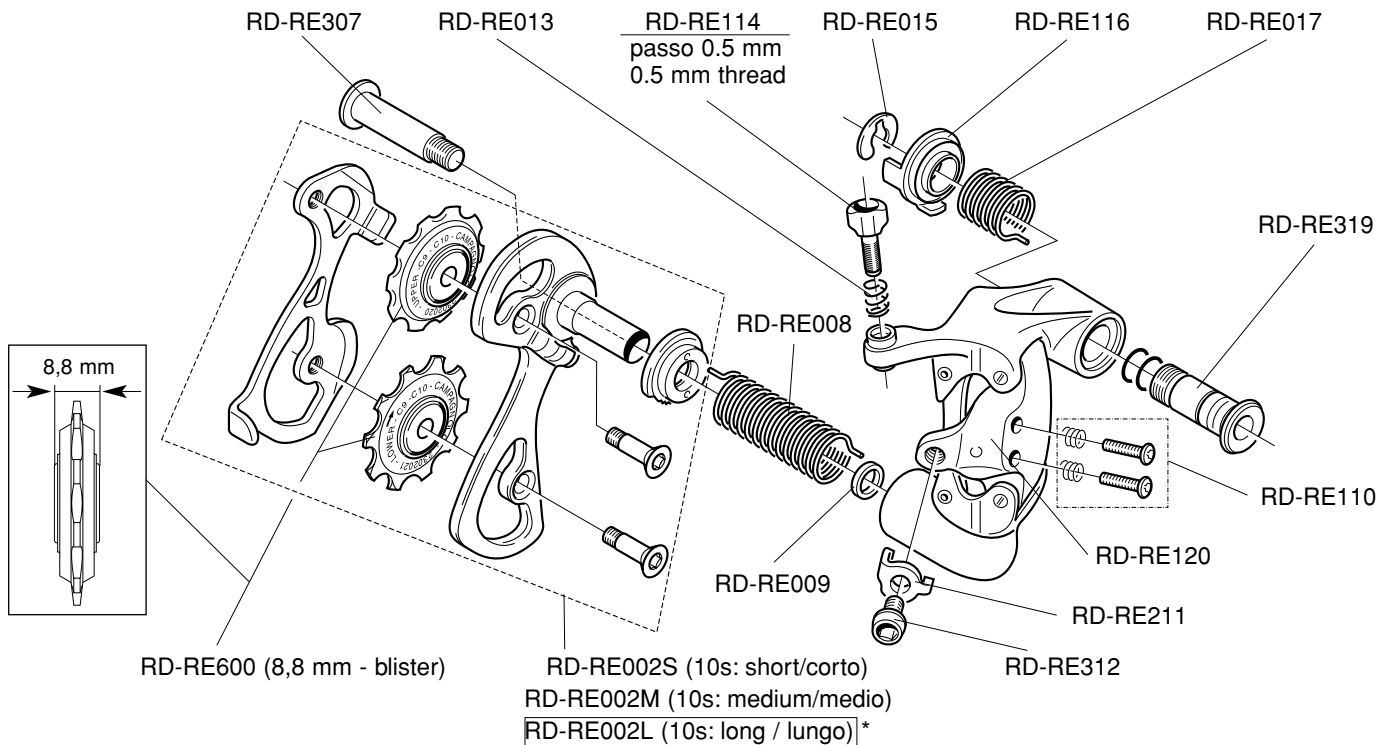
9s / 10s
FC-TH142: Z42

RECORD™ 10s

RD4-REXS

RD4-REXM

RD4-REXL

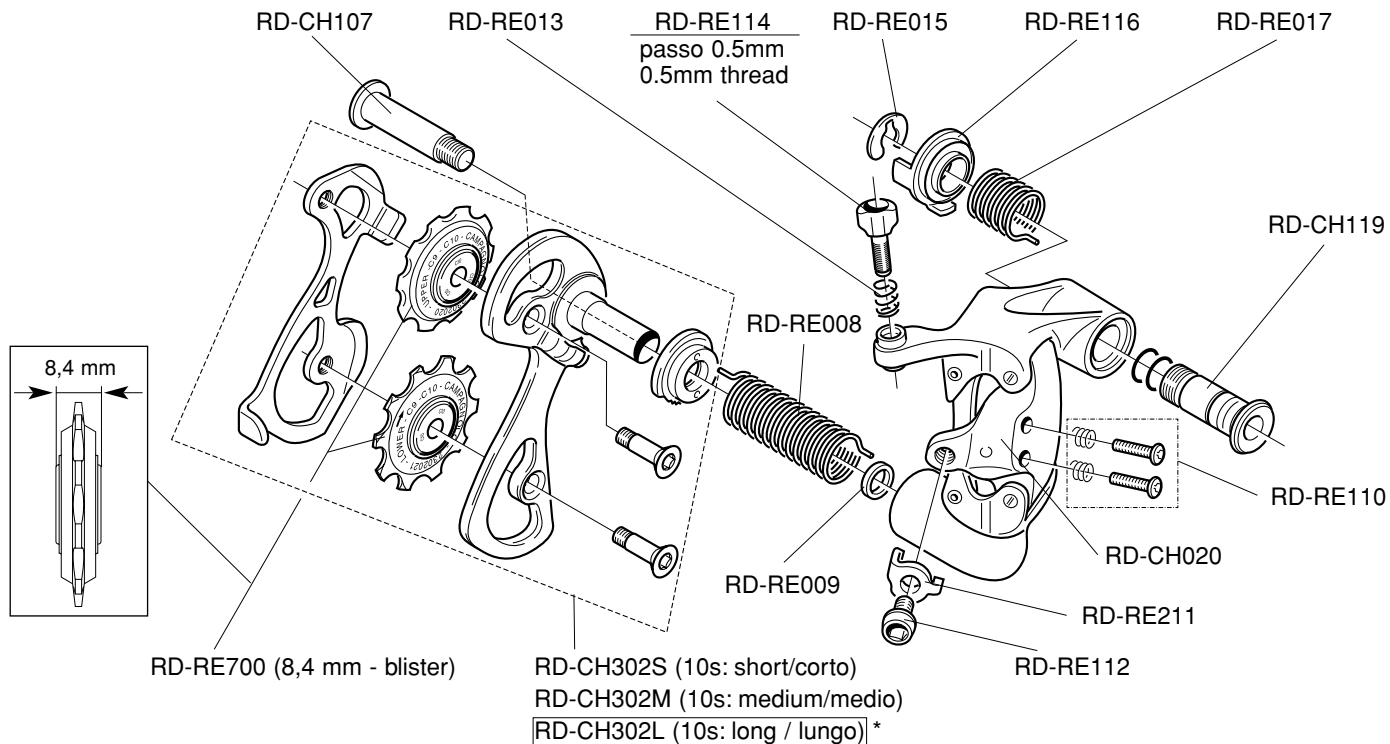


* solo per RD4-REXL - non compatibile con RD4-REXS e RD4-REXM

* only for RD4-REXL - not compatible with RD4-REXS and RD4-REXM

CHORUS™ 10s

RD4-CHXS
RD4-CHXM
RD4-CHXL

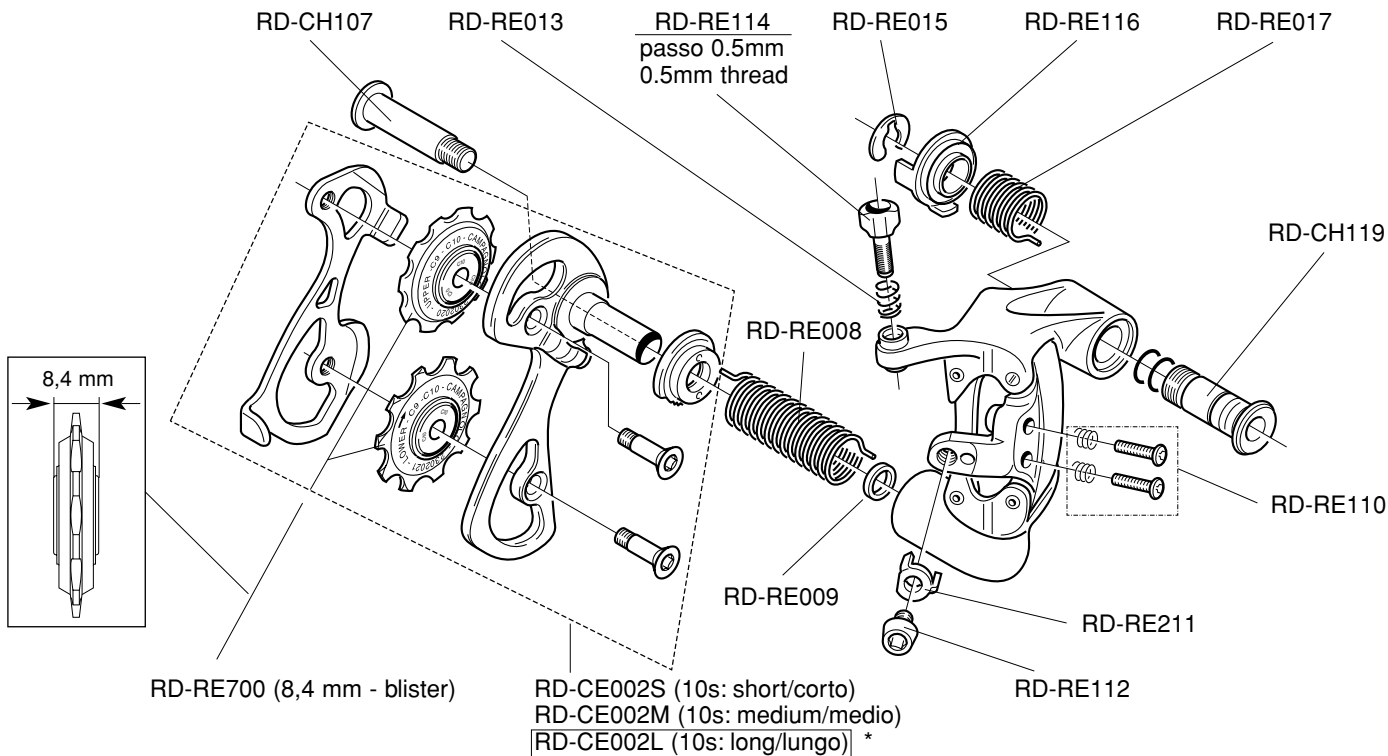


* solo per RD4-CHXL - non compatibile con RD4-CHXS e RD4-CHXM

* only for RD4-CHXL - not compatible with RD4-CHXS and RD4-CHXM

CENTAUR™ 10s

RD4-CEXS
RD4-CEXM
RD4-CEXL



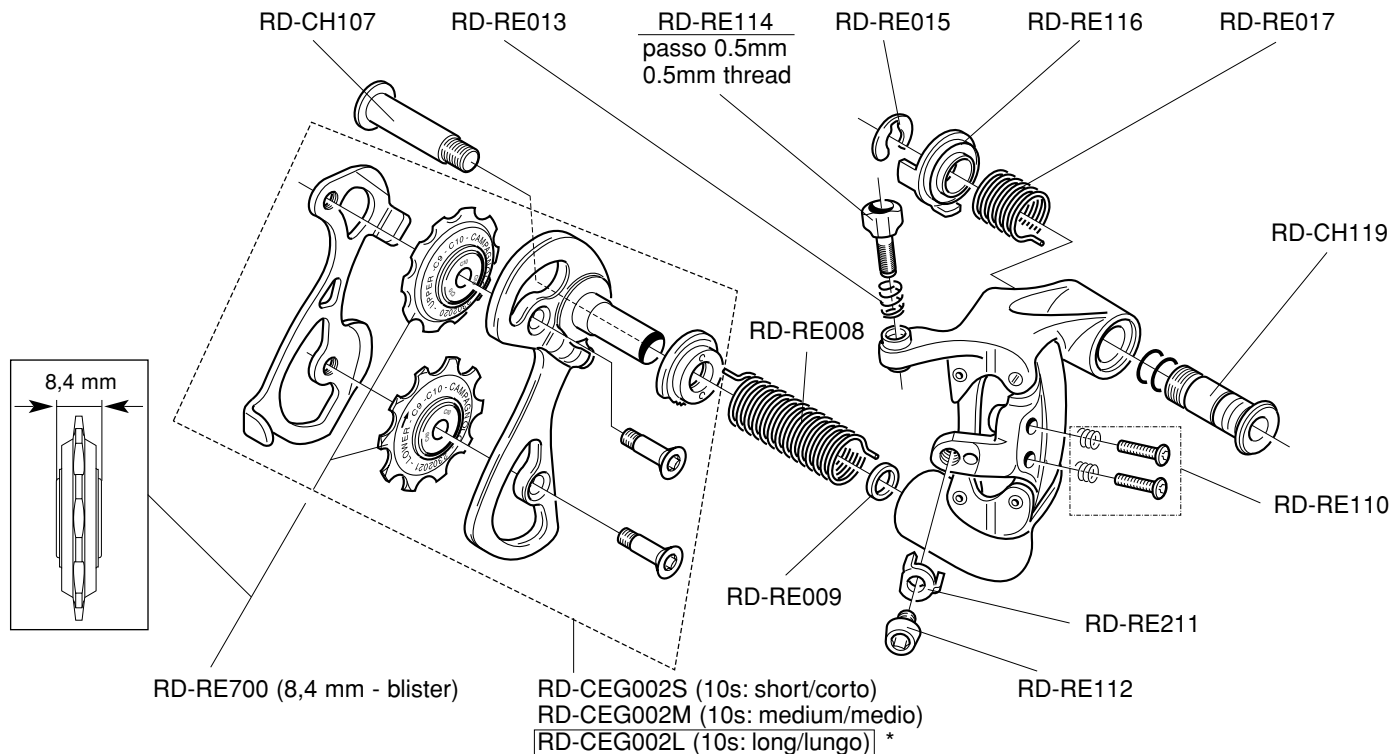
* solo per RD4-CEXL - non compatibile con RD4-CEXS e RD4-CEXM
* only for RD4-CEXL - not compatible with RD4-CEXS and RD4-CEXM

CENTAUR™ CENTURY GREY™ 10s

RD4-CEGXS

RD4-CEGXM

RD4-CEGXL



* solo per RD4-CEGXL - non compatibile con RD4-CEGXS e RD4-CEGXM

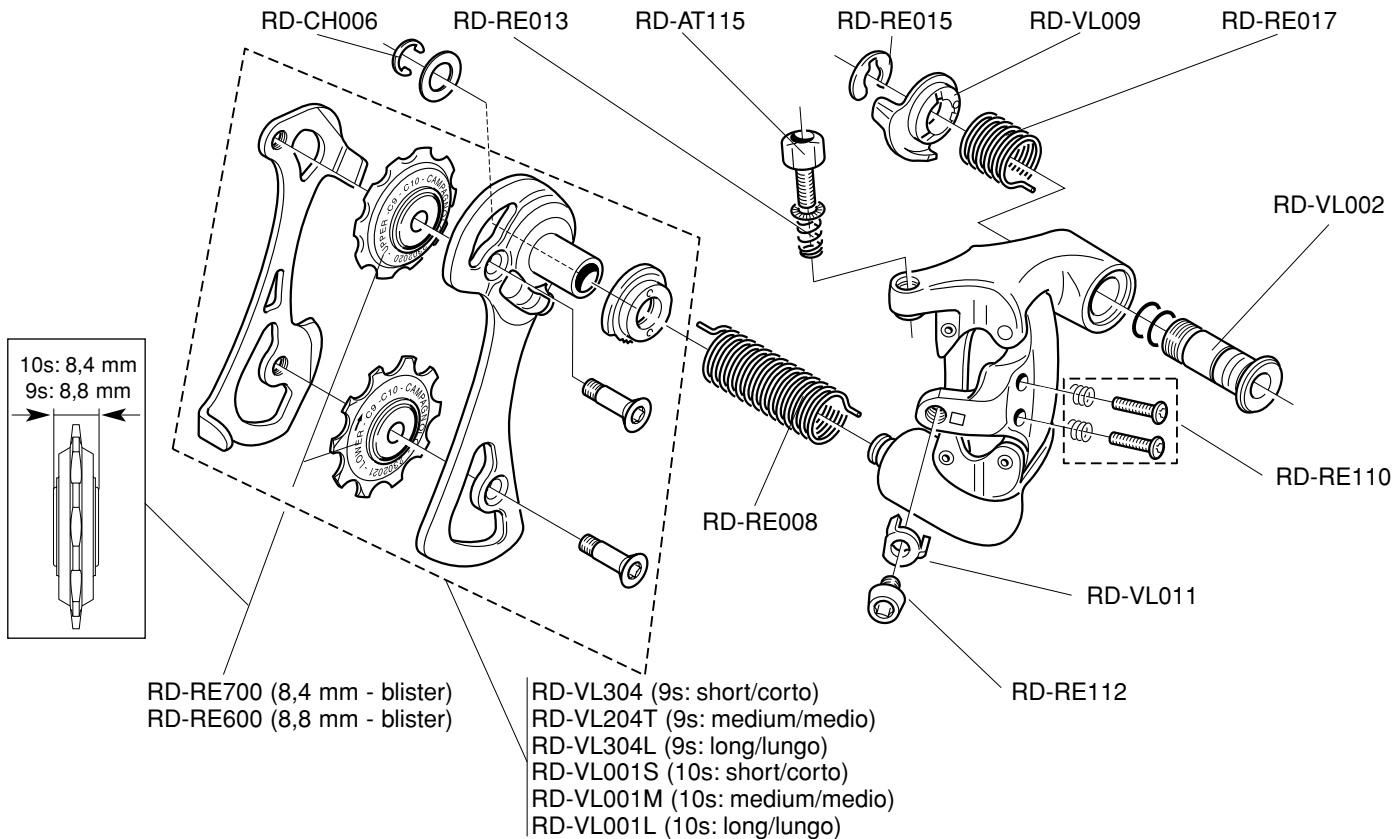
* only for RD4-CEGXL - not compatible with RD4-CEGXS and RD4-CEGXM

VELOCE™ 10s

RD4-VLXS
RD4-VLXM
RD4-VLXL

VELOCE™ 9s

RD02-VL209
RD02-VL309
RD4-VL9L

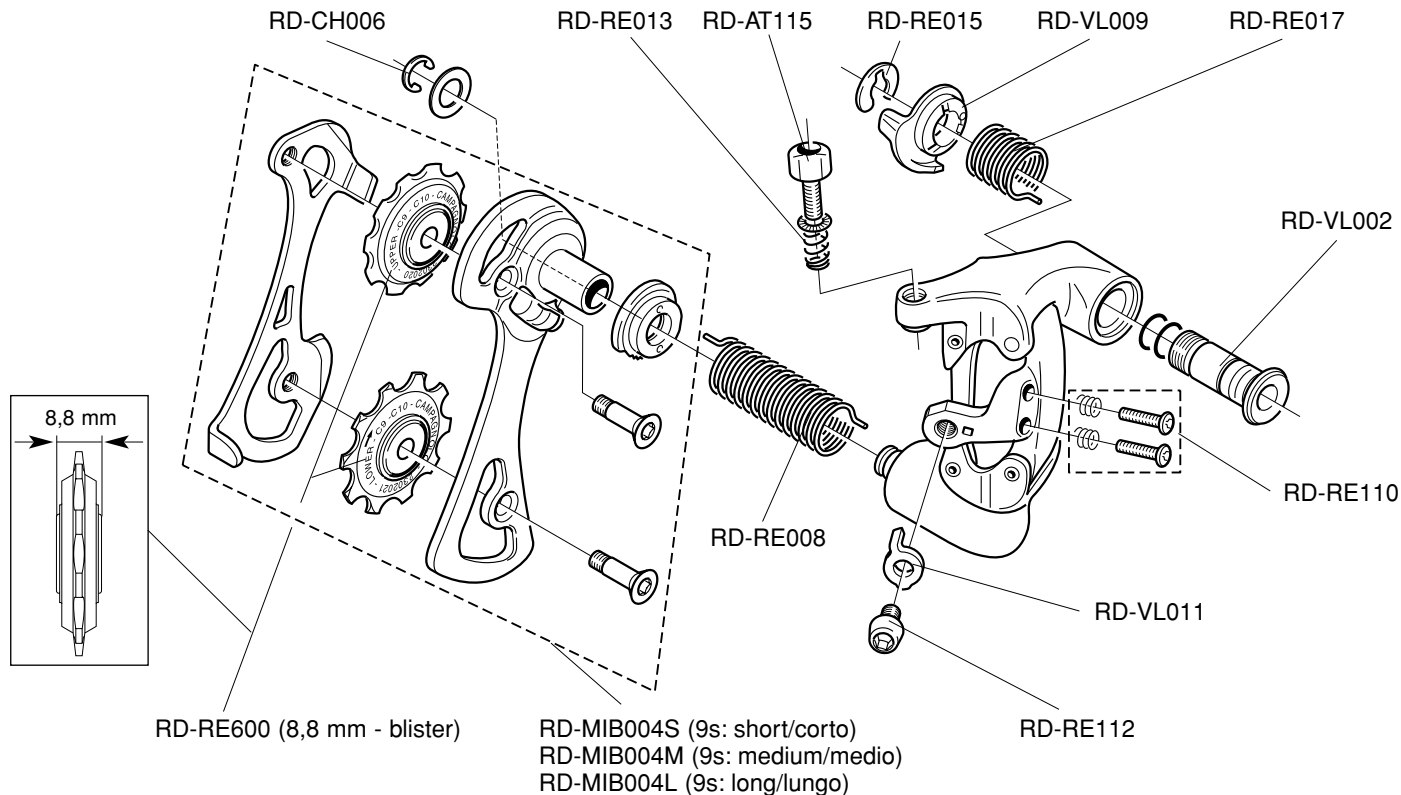


MIRAGE™ BLACK 9s

RD4-MI9S

RD4-MI9M

RD4-MI9L

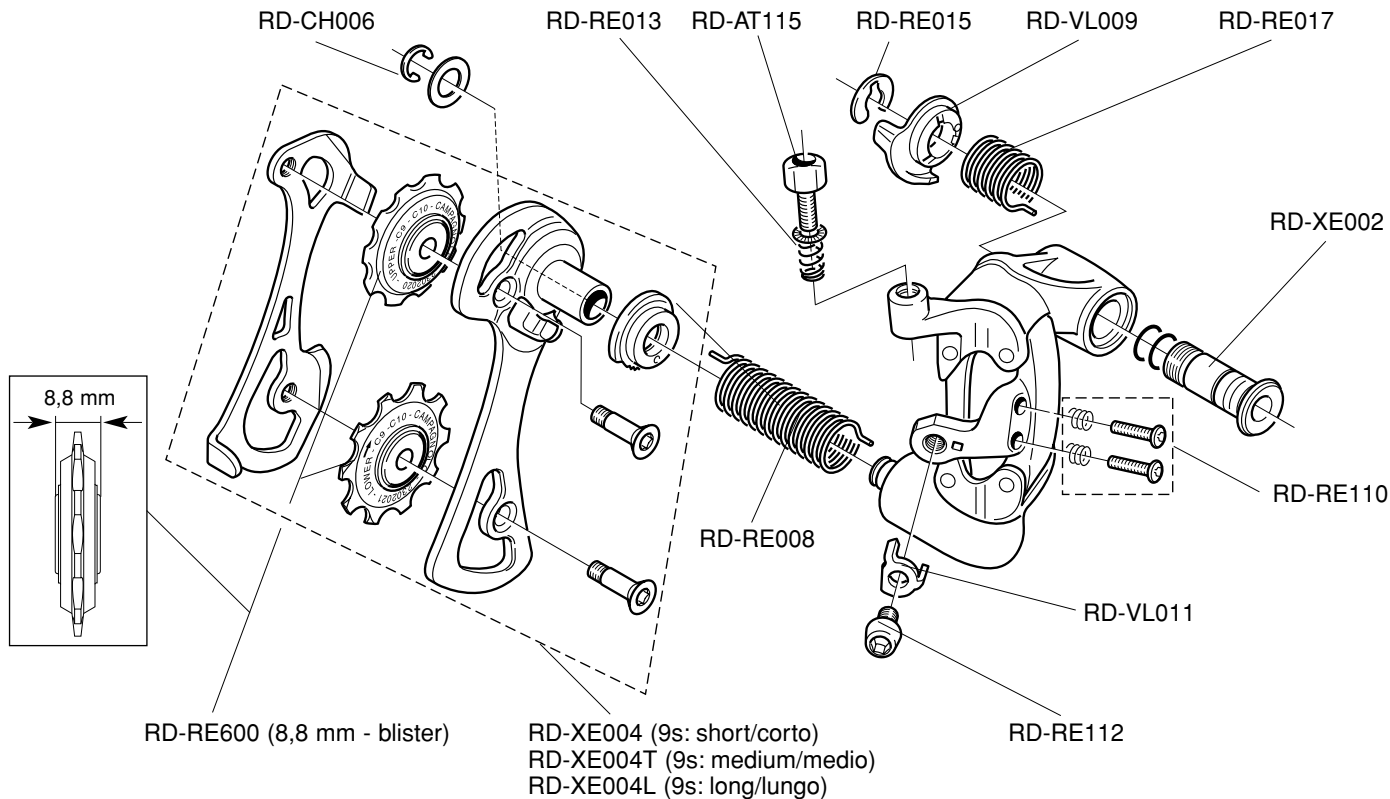


XENON™ 9s

RD02-XE209

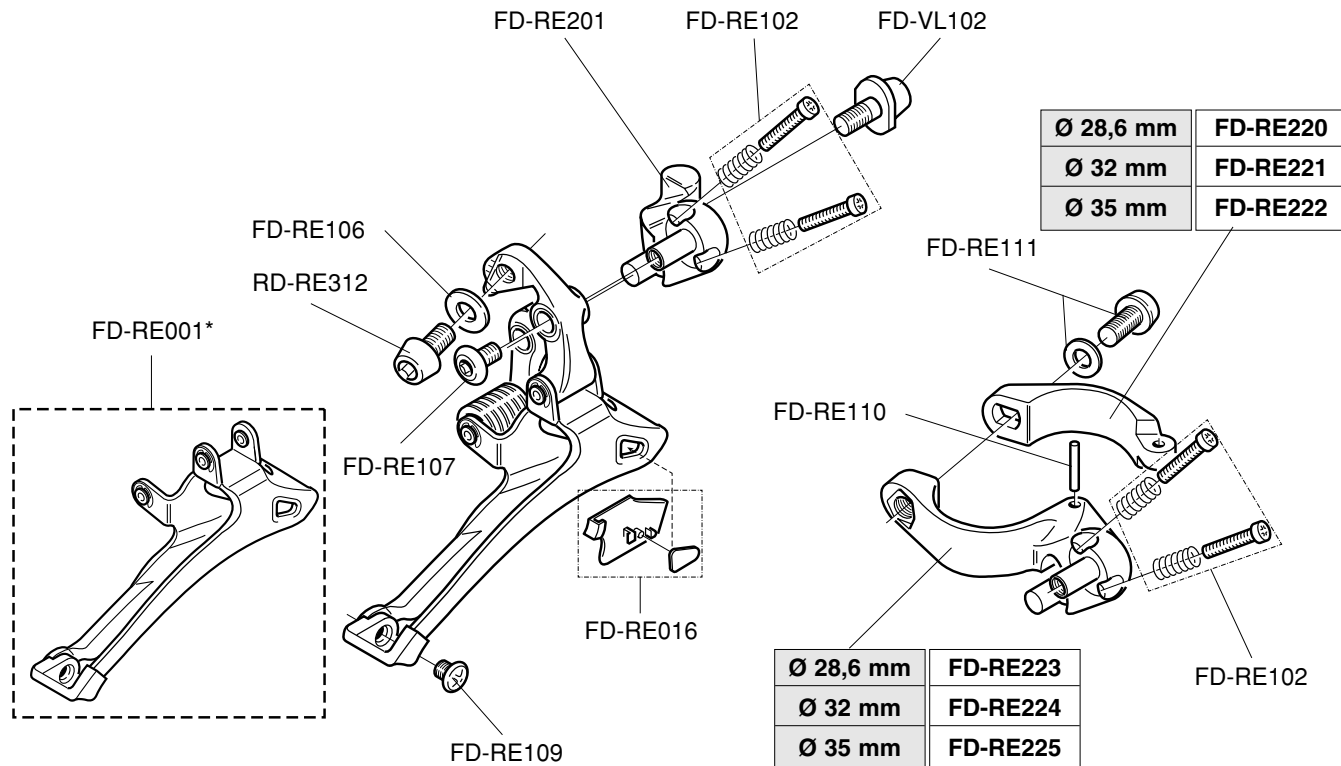
RD02-XE309

RD4-XE9L



RECORD™ 10s
FD4-RE2..

9s compatible



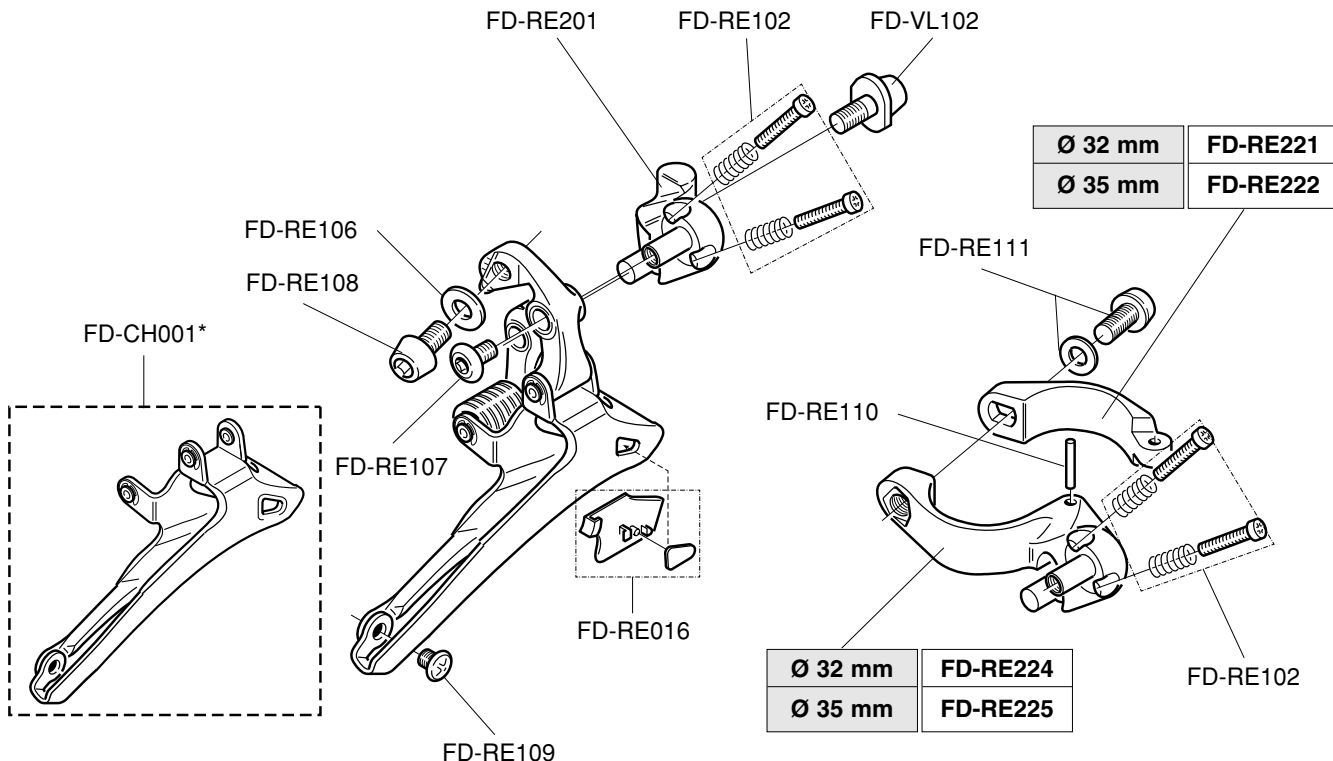
* solo per deragliatore RECORD 2004 - non compatibile con gamma 2003 e precedenti

* only for 2004 RECORD front derailleur - not compatible with 2003 range and previous

CHORUS™ 10s

FD4-RE2..

9s compatible



* solo per deragliatore CHORUS 2004 - non compatibile con gamma 2003 e precedenti

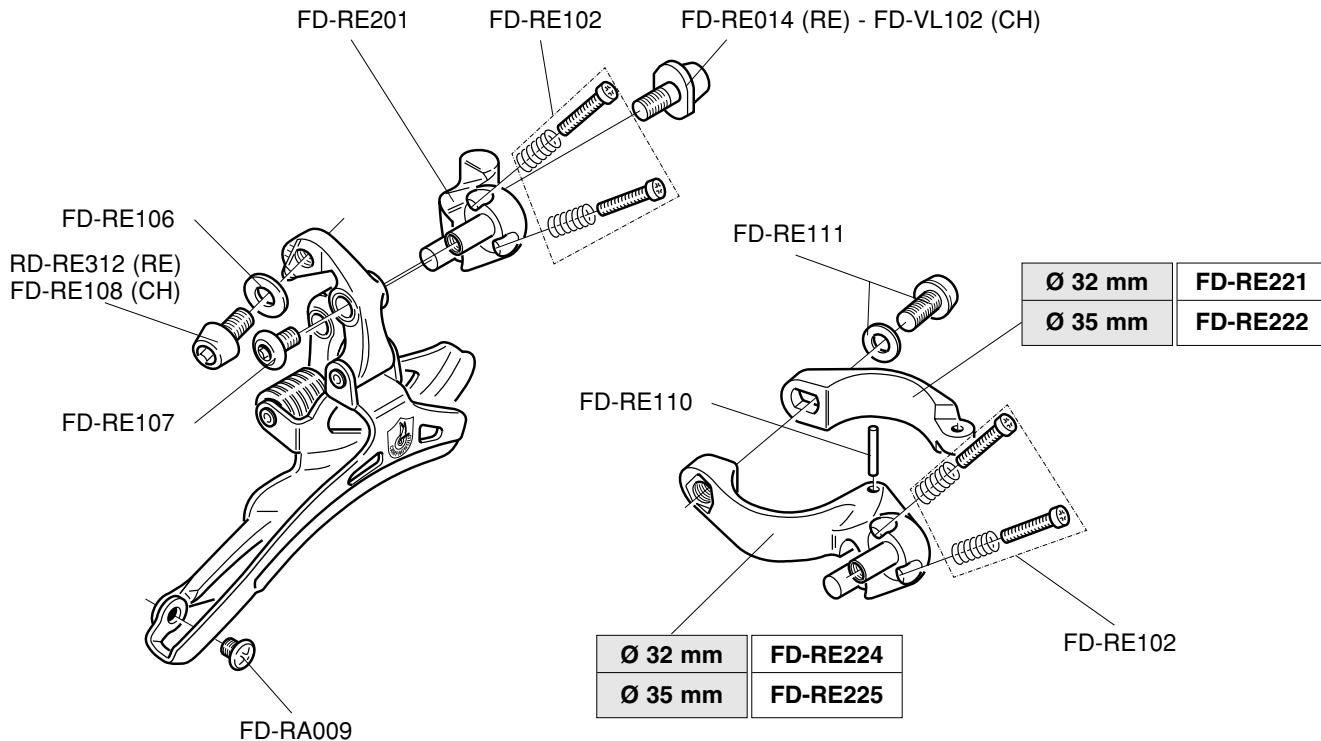
* only for 2004 CHORUS front derailleur - not compatible with 2003 range and previous

RECORD™ TRIPLE 10s

FD4-RE3..

CHORUS™ TRIPLE 10s

FD4-CH3..



CENTAUR™ 10s
FD4-CE2..
CENTAUR™ CENTURY GREY™ 10s
FD4-CEG2...

9s compatible

FD-CE001 (CENTAUR™)
 FD-CEG001 (CENTAUR™ C-GREY™)

FD-RE102

FD-VL102

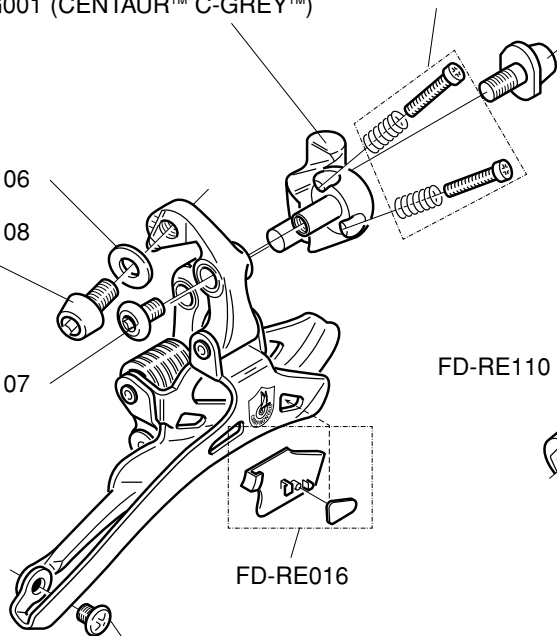
FD-RE106

FD-RE108

FD-RE107

FD-RE016

FD-RE109



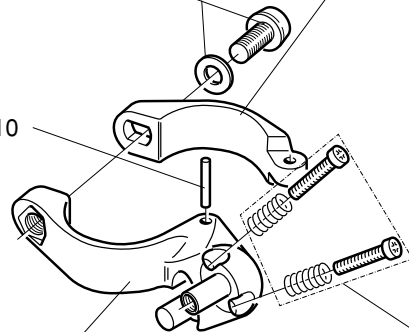
	CENTAUR™	C-GREY™
Ø 28,6 mm	FD-DA020	FD-CEG020
Ø 32 mm	FD-DA021	FD-CEG021
Ø 35 mm	FD-DA022	FD-CEG022

FD-RE111

FD-RE110

	CENTAUR™	C-GREY™
Ø 28,6 mm	FD-CE008	FD-CEG008
Ø 32 mm	FD-CE009	FD-CEG009
Ø 35 mm	FD-CE010	FD-CEG010

FD-RE102



CENTAUR™ TRIPLE 10s
FD4-CE3..
CENTAUR™ CENTURY GREY™ TRIPLE 10s
FD4-CEG3..

9s compatible

FD-CE001 (CENTAUR™)
 FD-CEG001 (CENTAUR™ C-GREY™)

FD-RE102 FD-VL102

FD-RE106

FD-RE108

FD-RE107

FD-RE111

FD-RE110

	CENTAUR™	C-GREY™
Ø 32 mm	FD-DA021	FD-CEG021
Ø 35 mm	FD-DA022	FD-CEG022

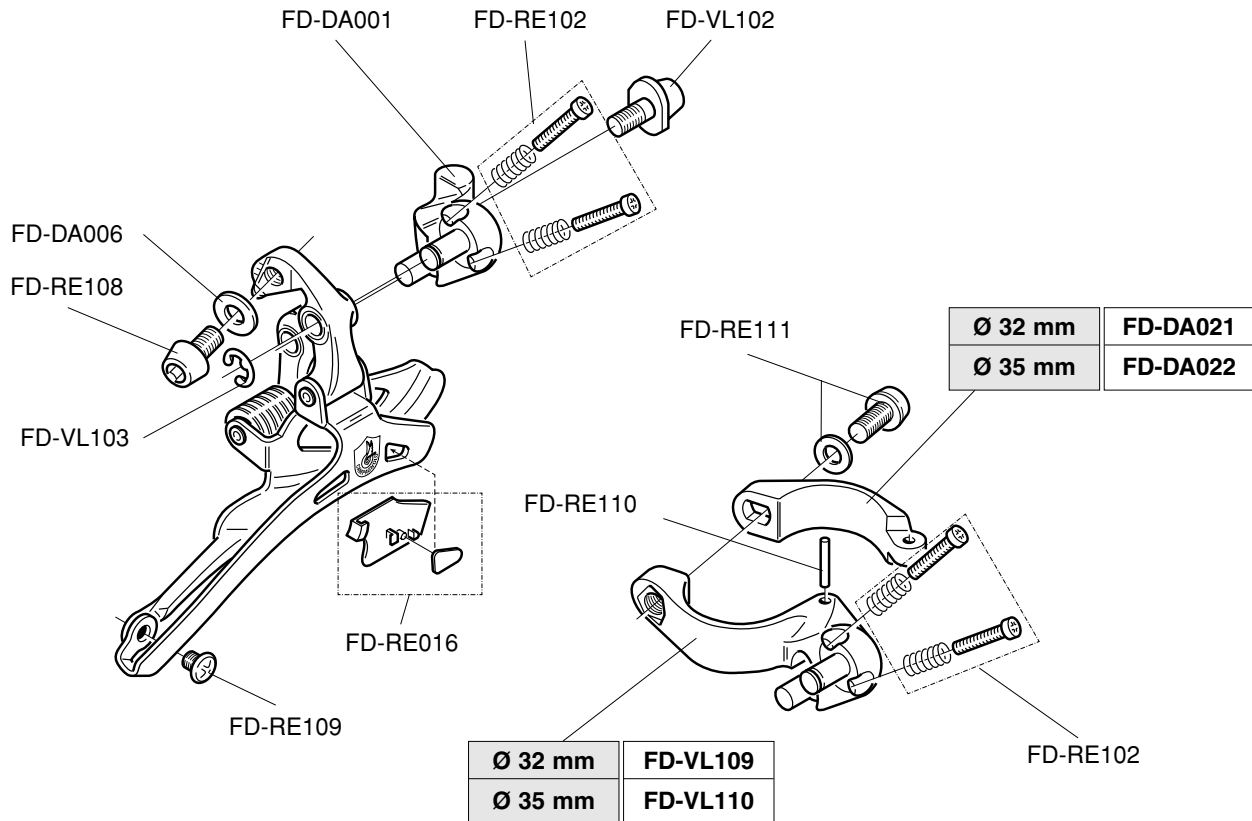
FD-RA009

	CENTAUR™	C-GREY™
Ø 32 mm	FD-CE009	FD-CEG009
Ø 35 mm	FD-CE010	FD-CEG010

FD-RE102

VELOCE™ 10s
FD4-VL2..

9s compatible



**VELOCE™
TRIPLE 10s
FD4-MI2..**

**MIRAGE™ BLACK 9s
FD4-MIB2..
MIRAGE™ TRIPLE BLACK 9s
FD4-MIB3..**

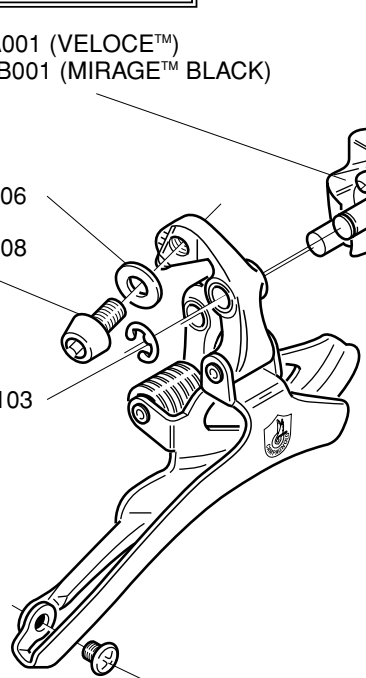
9s compatible

FD-DA001 (VELOCE™)
FD-MIB001 (MIRAGE™ BLACK)

FD-DA006

FD-RE108

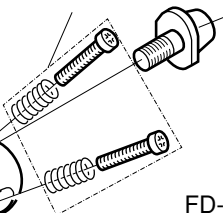
FD-VL103



FD-RE109
FD-RA009 (TRIPLE)

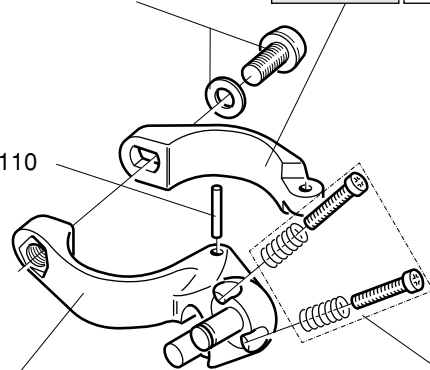
FD-RE102

FD-VL102



FD-RE111

FD-RE110

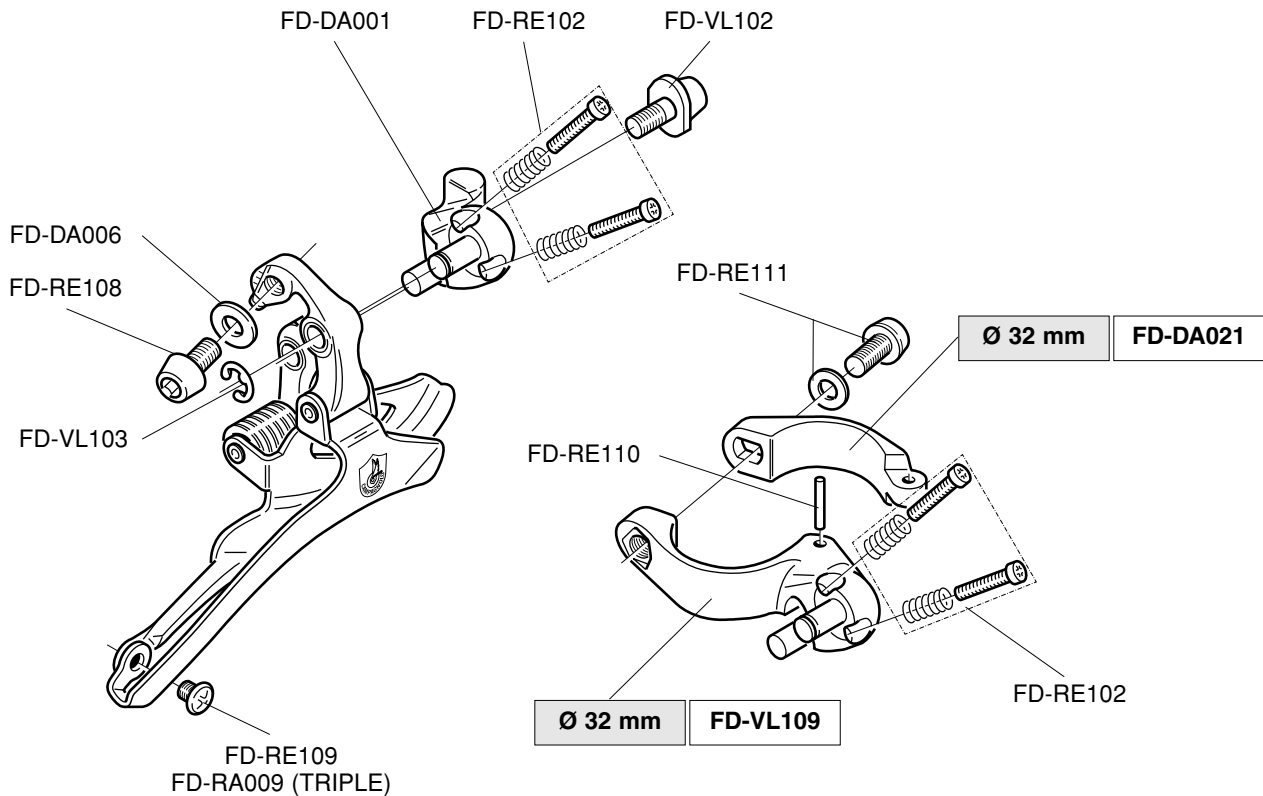


FD-RE102

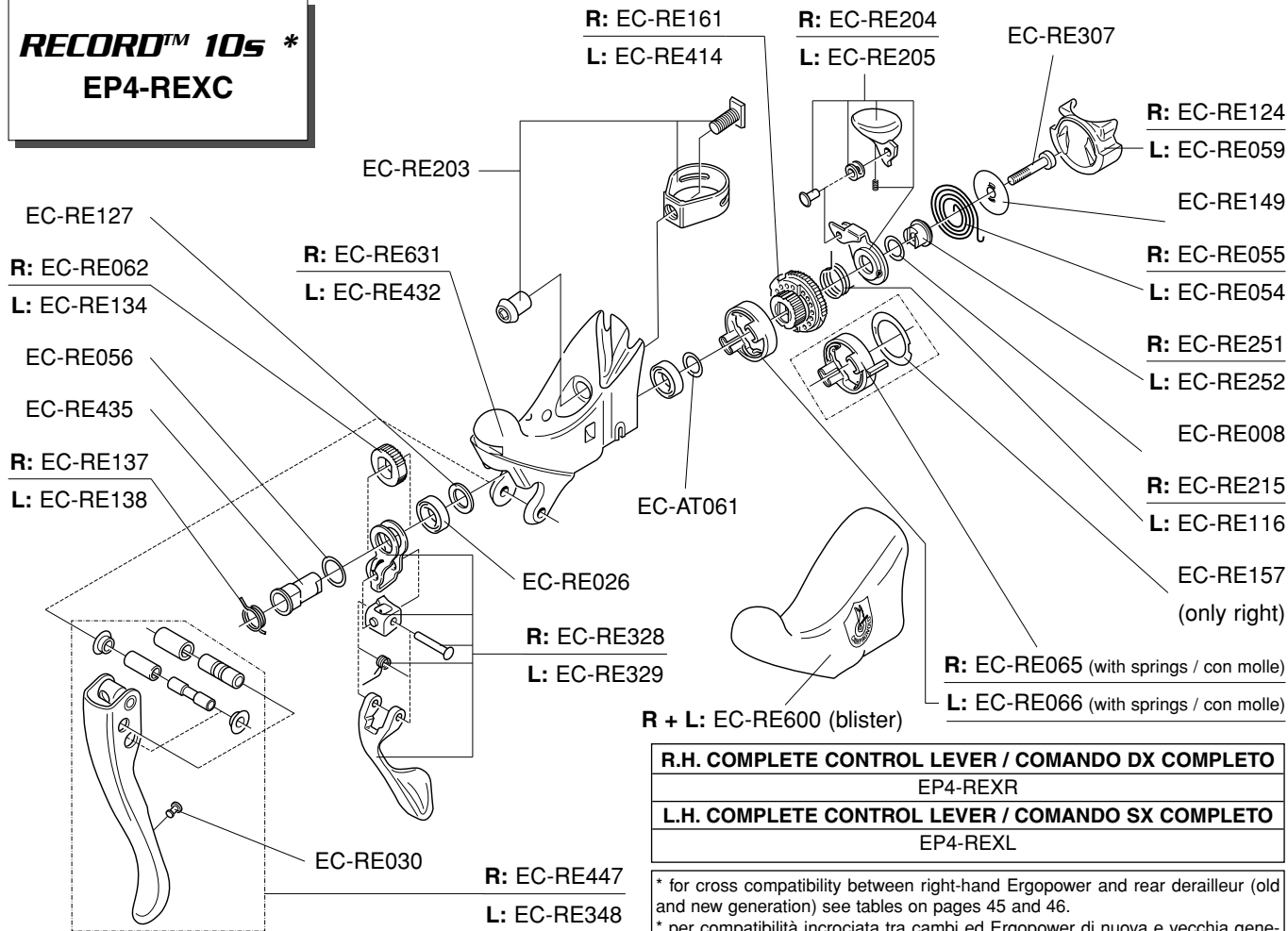
	VELOCE™	MIR BLACK
Ø 28,6 mm	-	FD-MIB020
Ø 32 mm	FD-DA021	FD-MIB021
Ø 35 mm	FD-DA022	-

	VELOCE™	MIR BLACK
Ø 28,6 mm	-	FD-MIB008
Ø 32 mm	FD-VL109	FD-MIB009
Ø 35 mm	FD-VL110	-

XENON™ 9s
FD4-XE2..
XENON™ TRIPLE 9s
FD4-XE3..



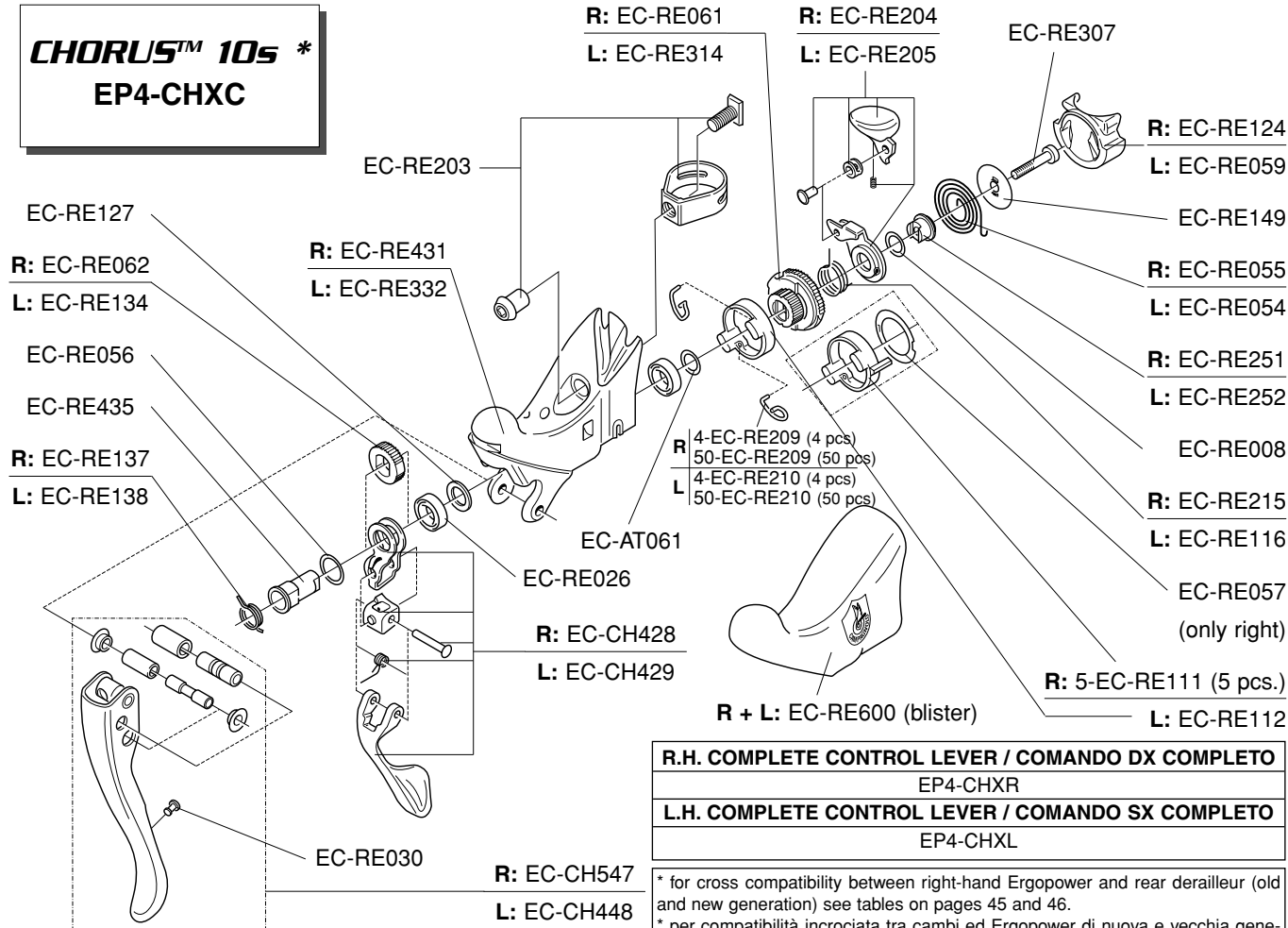
RECORD™ 10s *
EP4-REXC



R.H. COMPLETE CONTROL LEVER / COMANDO DX COMPLETO
EP4-REXR
L.H. COMPLETE CONTROL LEVER / COMANDO SX COMPLETO
EP4-REXL

* for cross compatibility between right-hand Ergopower and rear derailleurs (old and new generation) see tables on pages 45 and 46.
 * per compatibilità incrociata tra cambi ed Ergopower di nuova e vecchia generazione vedi tabelle alle pagg. 45 e 46.

CHORUS™ 10s *
EP4-CHXC



R.H. COMPLETE CONTROL LEVER / COMANDO DX COMPLETO

EP4-CHXR

L.H. COMPLETE CONTROL LEVER / COMANDO SX COMPLETO

EP4-CHXL

* for cross compatibility between right-hand Ergopower and rear derailleur (old and new generation) see tables on pages 45 and 46.

* per compatibilità incrociata tra cambi ed Ergopower di nuova e vecchia generazione vedi tabelle alle pagg. 45 e 46.

CENTAUR™ 10s *
EP03-CE10CG
CENTAUR™ C-GREY 10s *
EP4-CEGXC

- EC-RE127
- R: EC-RE062
- L: EC-RE134
- EC-RE056
- EC-VL036
- R: EC-RE137
- L: EC-RE138

CENTAUR™	
R	EC-DA231
L	EC-DA032
C-GREY	
R	EC-CEG031
L	EC-CEG032

- R: EC-RE061
- L: EC-RE314

- R: EC-RE204
- L: EC-RE205

EC-RE307

- R: EC-RE124
- L: EC-RE059

- R: EC-RE055
- L: EC-RE054

- R: EC-RE251
- L: EC-RE252

- R 4-EC-RE209 (4 pcs)
- 50-EC-RE209 (50 pcs)
- L 4-EC-RE210 (4 pcs)
- 50-EC-RE210 (50 pcs)

- EC-RE008
- R: EC-RE215
- L: EC-RE116

CENTAUR™	
R	EC-CH328
L	EC-CH329
C-GREY	
R	EC-CEG028
L	EC-CEG029

- EC-RE057
- (only right)
- R: 5-EC-RE111 (5 pcs.)
- L: EC-RE112

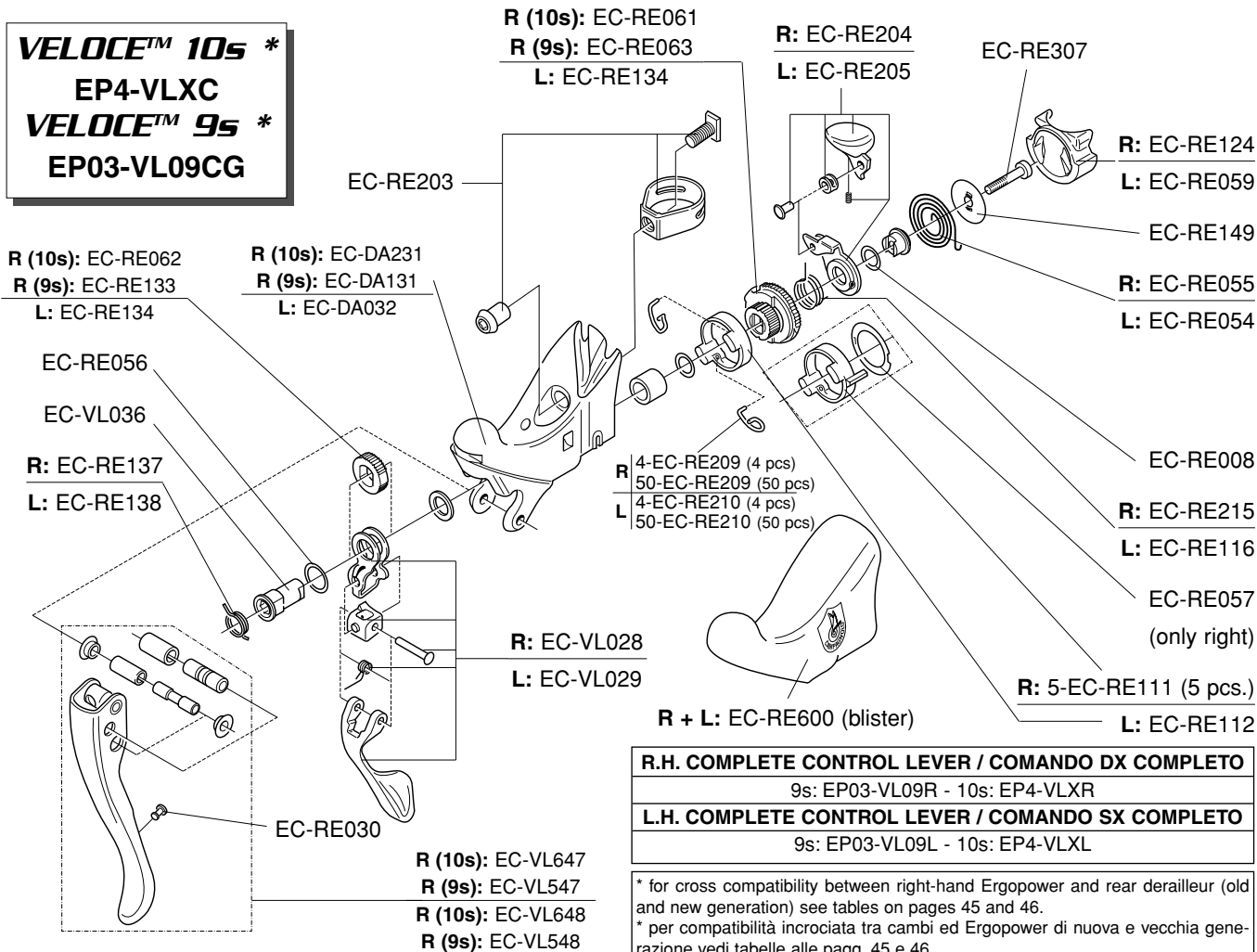
R + L: EC-RE600 (blister)

	CENTAUR™	C-GREY
R	EC-CE247	EC-CEG047
L	EC-CE248	EC-CEG048

R.H. COMPLETE CONTROL LEVER / COMANDO DX COMPLETO
CENTAUR™: EP03-CE10R - C-GREY: EP4-CEGXR
L.H. COMPLETE CONTROL LEVER / COMANDO SX COMPLETO
CENTAUR™: EP03-CE10L - C-GREY: EP4-CEGXL

* for cross compatibility between right-hand Ergopower and rear derailleur (old and new generation) see tables on pages 45 and 46.
 * per compatibilità incrociata tra cambi ed Ergopower di nuova e vecchia generazione vedi tabelle alle pagg. 45 e 46.

VELOCE™ 10s *
EP4-VLXC
VELOCE™ 9s *
EP03-VL09CG



R.H. COMPLETE CONTROL LEVER / COMANDO DX COMPLETO

9s: EP03-VL09R - 10s: EP4-VLXR

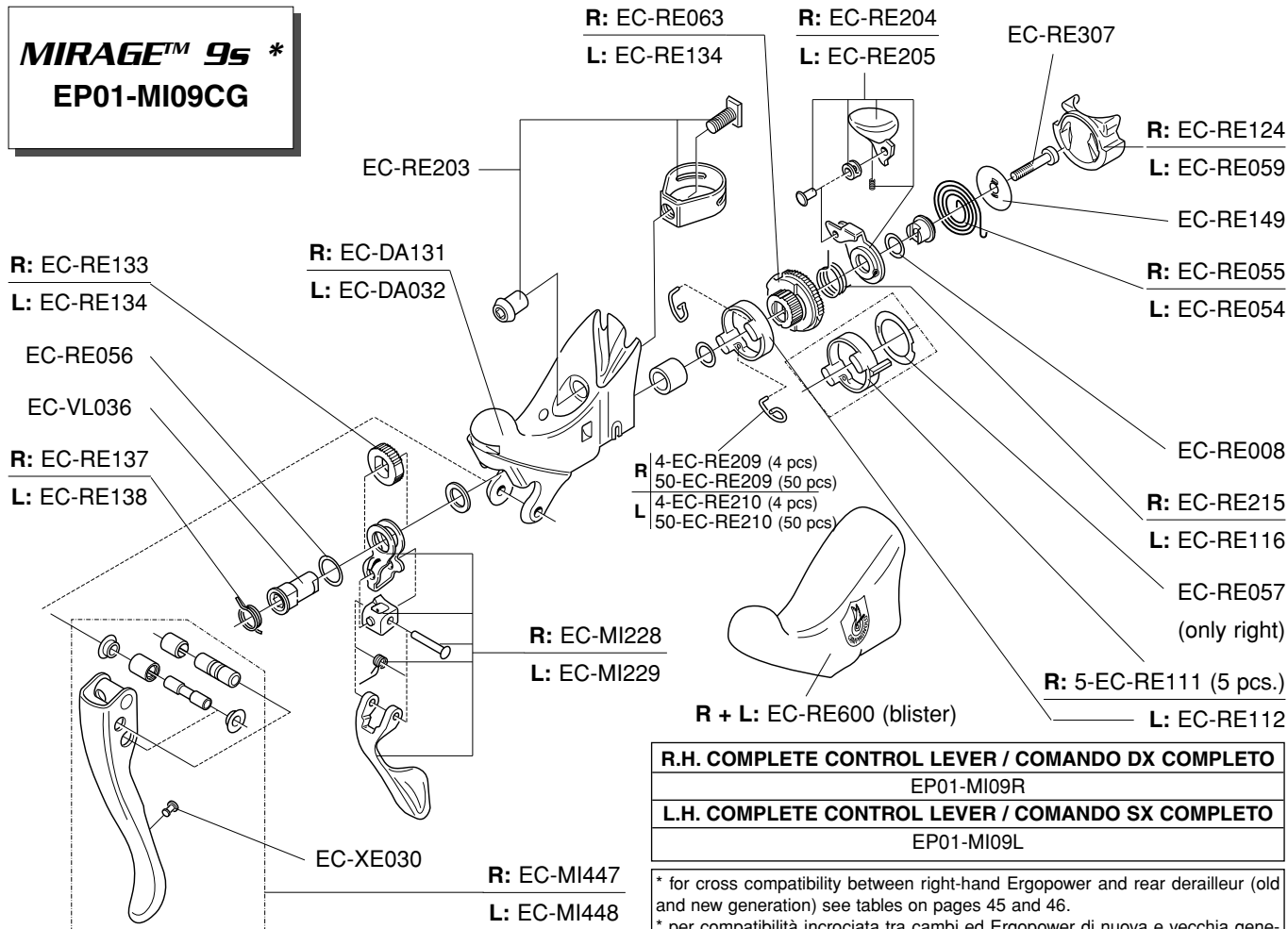
L.H. COMPLETE CONTROL LEVER / COMANDO SX COMPLETO

9s: EP03-VL09L - 10s: EP4-VLXL

* for cross compatibility between right-hand ErgoPower and rear derailleur (old and new generation) see tables on pages 45 and 46.

* per compatibilità incrociata tra cambi ed ErgoPower di nuova e vecchia generazione vedi tabelle alle pagg. 45 e 46.

MIRAGE™ 9s *
EP01-MI09CG

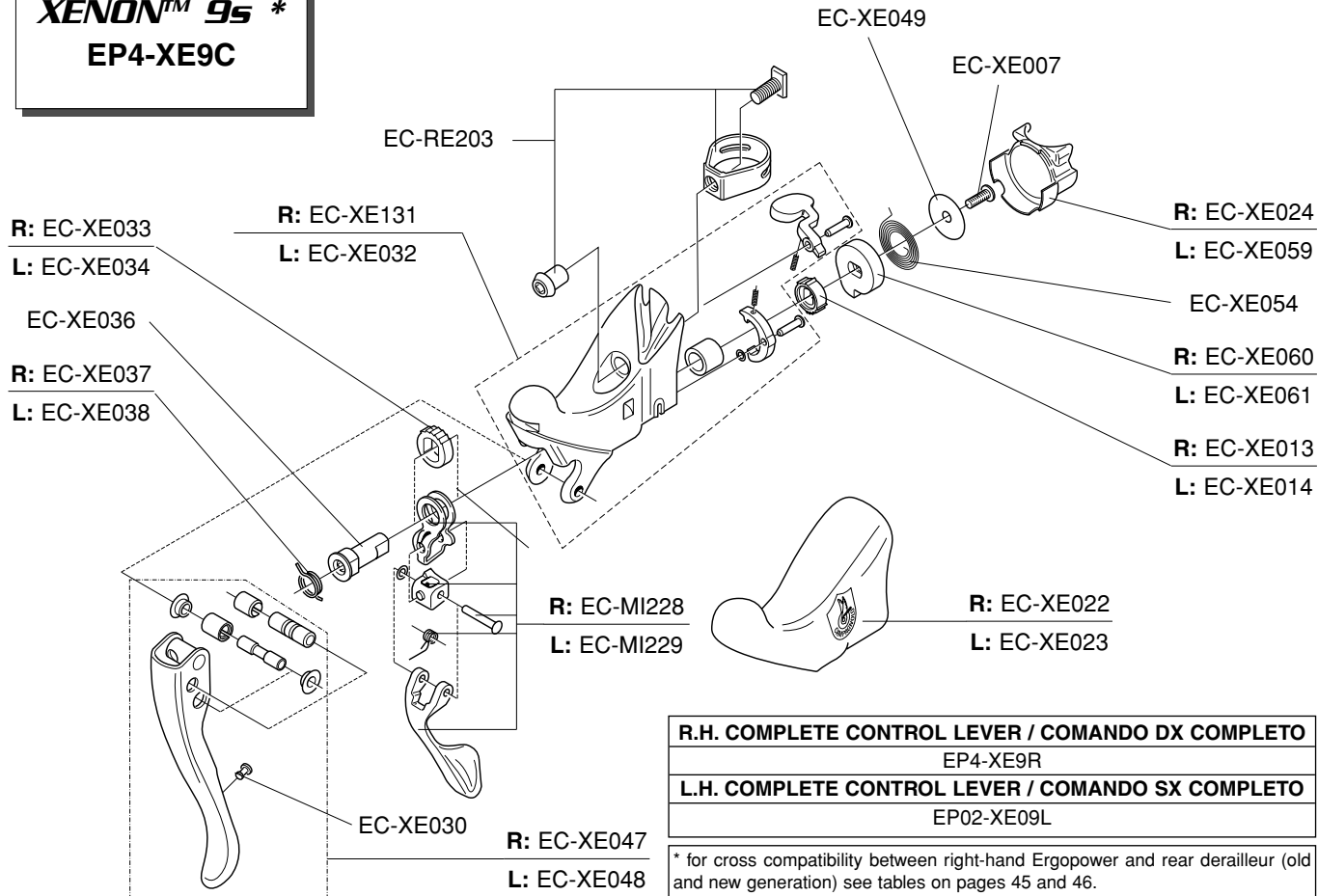


R.H. COMPLETE CONTROL LEVER / COMANDO DX COMPLETO
EP01-MI09R
L.H. COMPLETE CONTROL LEVER / COMANDO SX COMPLETO
EP01-MI09L

* for cross compatibility between right-hand Ergopower and rear derailleur (old and new generation) see tables on pages 45 and 46.

* per compatibilità incrociata tra cambi ed Ergopower di nuova e vecchia generazione vedi tabelle alle pagg. 45 e 46.

XENON™ 9s *
EP4-XE9C



R.H. COMPLETE CONTROL LEVER / COMANDO DX COMPLETO
 EP4-XE9R

L.H. COMPLETE CONTROL LEVER / COMANDO SX COMPLETO
 EP02-XE09L


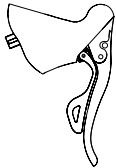
* for cross compatibility between right-hand Ergopower and rear derailleur (old and new generation) see tables on pages 45 and 46.

* per compatibilità incrociata tra cambi ed Ergopower di nuova e vecchia generazione vedi tabelle alle pagg. 45 e 46.

**CROSS COMPATIBILITY BETWEEN RIGHT-HAND ERGOPOWERS AND REAR DERAILLEURS
(old and new generation)**

**COMPATIBILITÀ INCROCIATA TRA ERGOPOWER DX E CAMBI
(nuova e vecchia generazione)**

ERGOPOWER

SPEED VELOCITÀ	YEAR ANNO	FEATURES CARATTERISTICHE		
8s	< 1998	“old style” (pointed) body / corpo a punta		OLD STYLE
9s	1997	“old style” (pointed) body / corpo a punta		
9s	1998	“new style” (rounded) body / corpo arrotondato		
9s	1999-2000	“new style” (rounded) body, ErgoBrain computer ready / corpo arrotondato, predisposizione ErgoBrain (pulsantino sul coprisupporto)		NEW STYLE
9s	2001-2002	“9 speed” mark, “new style” (rounded) body, ErgoBrain computer ready / logo “9 speed” sul corpo, corpo arrotondato, predisposizione ErgoBrain (pulsantino sul coprisupporto)		
10s	2000-2004	“10 speed” mark, “new style” (rounded) body, ErgoBrain computer ready / logo “10 speed” sul corpo, corpo arrotondato, predisposizione ErgoBrain (pulsantino sul coprisupporto)		

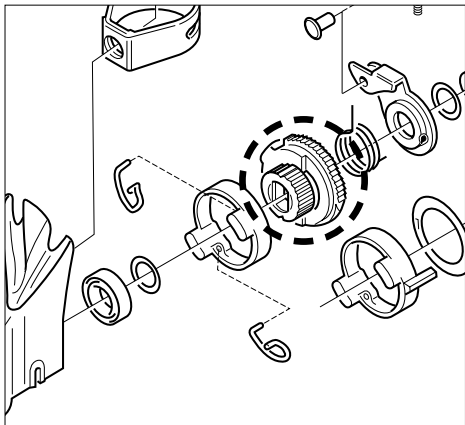
REAR DERAILLEUR / CAMBIO

SPEED VELOCITÀ	YEAR ANNO	FEATURES CARATTERISTICHE
8s	< 1998	adjusting system on the upper body / sistema di registrazione sul corpo superiore
9s	1997-2000	adjusting system on the upper body / sistema di registrazione sul corpo superiore
9s	2001-2004	adjusting system on the lower body / sistema di registrazione sul corpo inferiore



CROSS COMPATIBILITY BETWEEN RIGHT-HAND ERGOPOWERS AND REAR DERAILLEURS (old and new generation)

COMPATIBILITÀ INCROCIATA TRA ERGOPOWER DX E CAMBI (nuova e vecchia generazione)



The codes in the table are referring to the indexing ratchet of the right-hand Ergopower (see the figure). To ensure the compatibility between replace the indexing ratchet with the one indicated in the table (referring to the rear derailleur / Ergopower combination).

I codici in tabella si riferiscono alla bussola dentata (evidenziata in figura) del comando dx Ergopower: per assicurare la compatibilità tra cambio ed Ergopower destro, va eventualmente sostituita la bussola dentata esistente con quella indicata in tabella (a seconda della combinazione cambio / Ergopower).

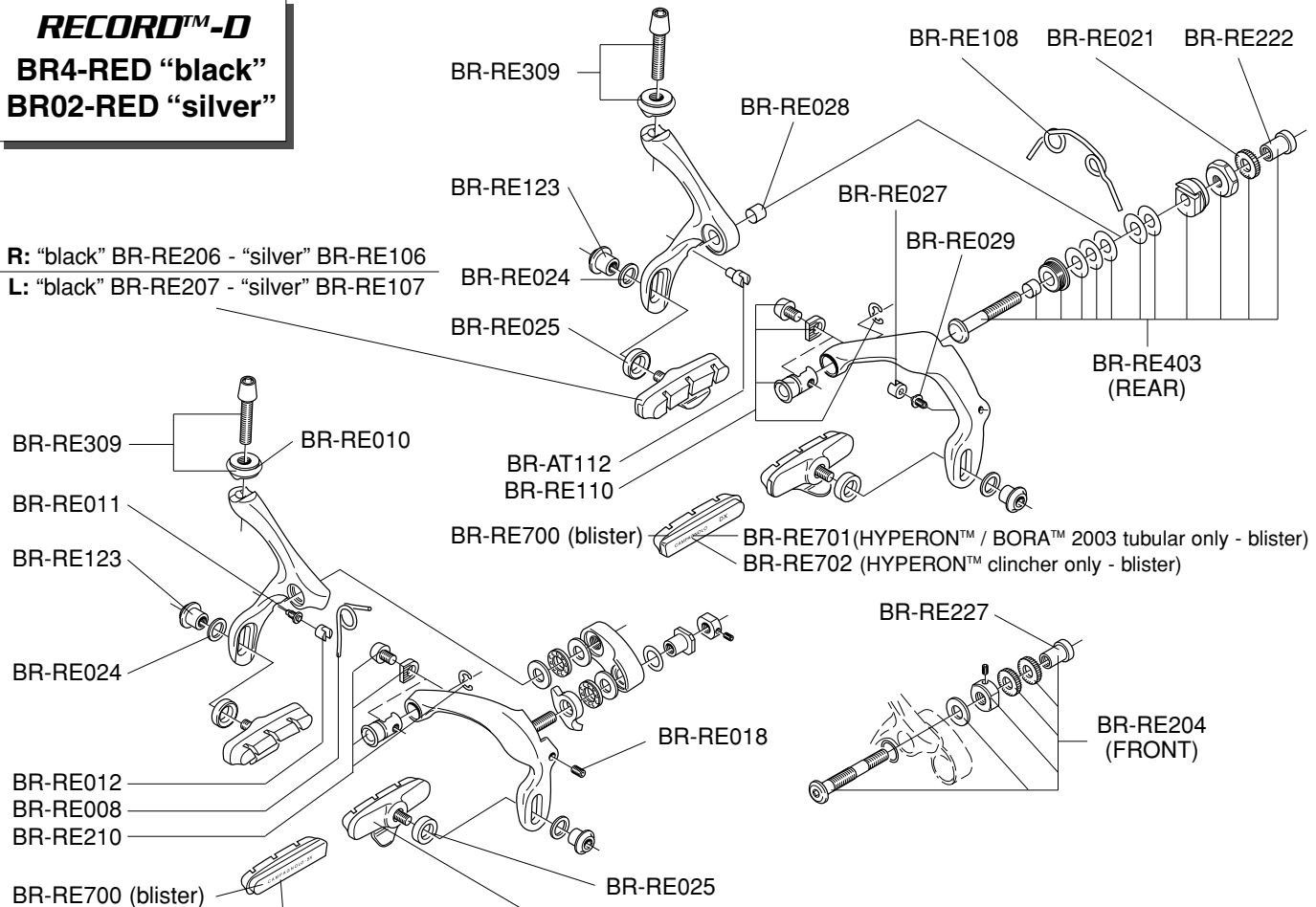
	9s 2001-2004 rear derailleur / cambio 9s 2001-2004	9s 1997-2000 rear derailleur / cambio 9s 1997-2000	8s rear derailleur / cambio 8s
Ergopower 8s	OK * (with C9 chain / con catena C9)	OK * (with C9 chain / con catena C9)	OK
Ergopower 9s 1997	EC-RE064	OK	NO
Ergopower 9s 1998	EC-RE064	OK	NO
Ergopower 9s 1999-2000	EC-RE063	OK	EC-RE060
Ergopower 9s 2001-2002	OK	EC-RE313	EC-RE060
Ergopower 10s 2000-2004	EC-RE063	EC-RE313	EC-RE060

RECORD™-D

BR4-RED "black"
BR02-RED "silver"

R: "black" BR-RE206 - "silver" BR-RE106

L: "black" BR-RE207 - "silver" BR-RE107

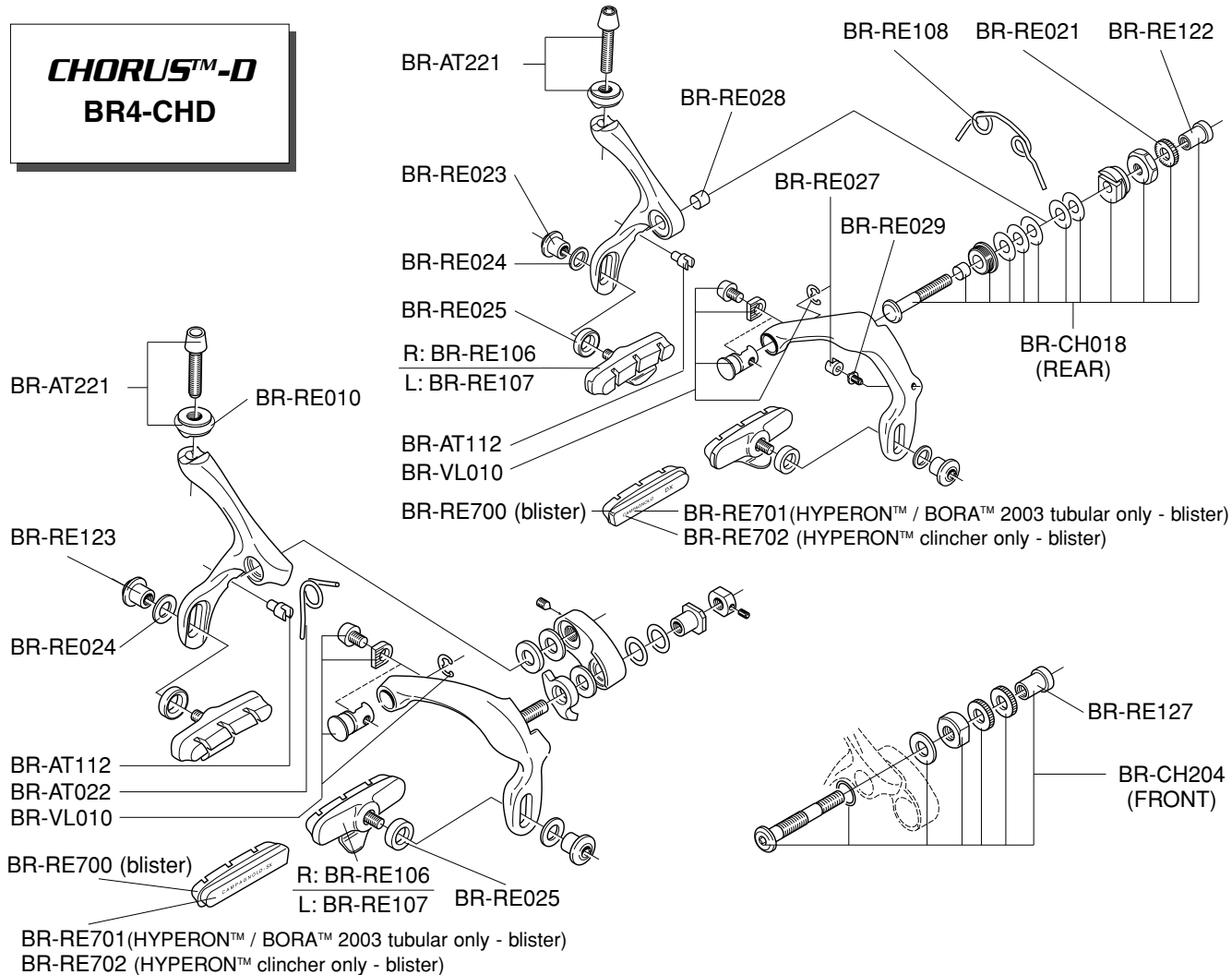


BR-RE701 (HYPERON™ / BORA™ 2003 tubular only - blister)
BR-RE702 (HYPERON™ clincher only - blister)

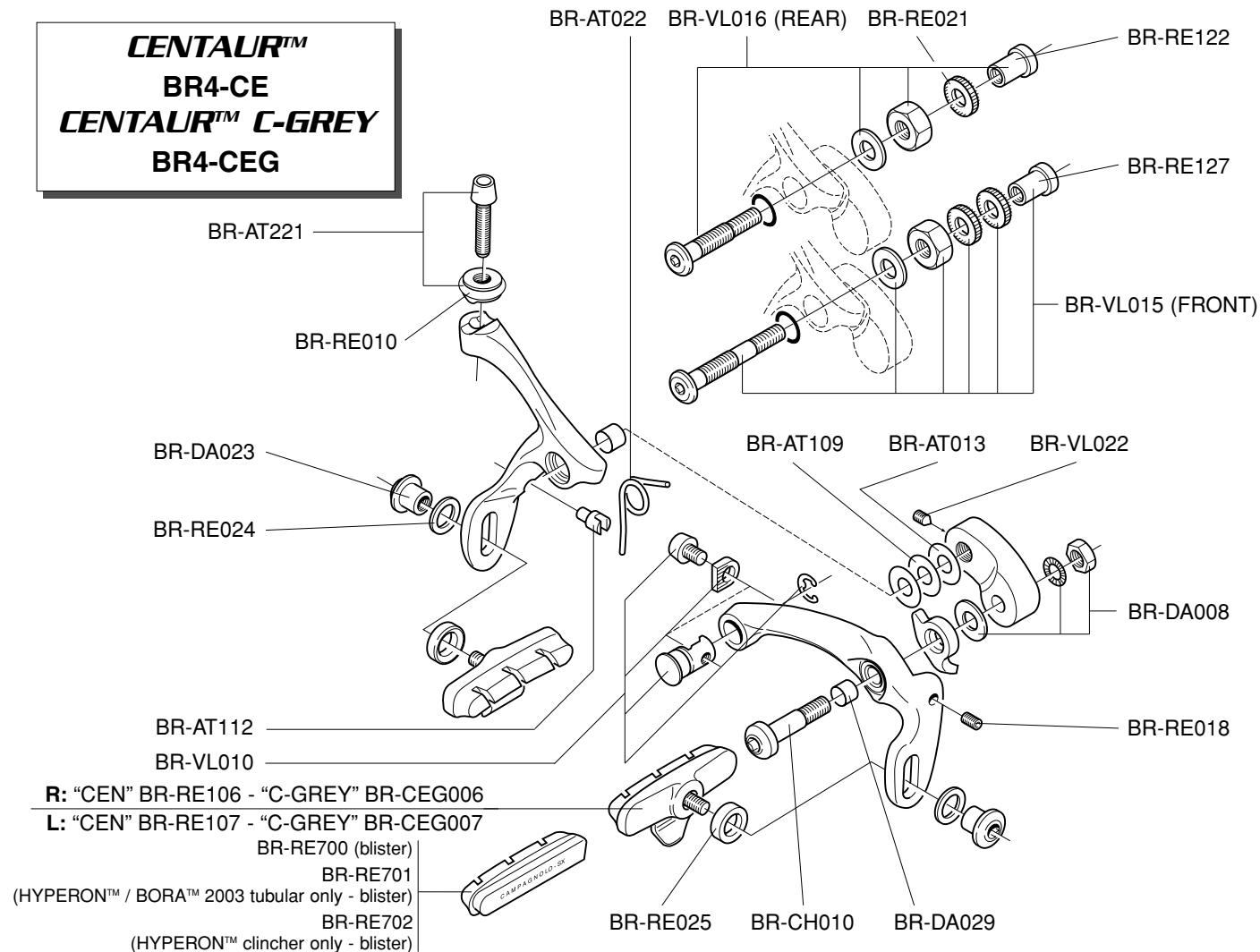
R: "black" BR-RE206 - "silver" BR-RE106

L: "black" BR-RE207 - "silver" BR-RE107

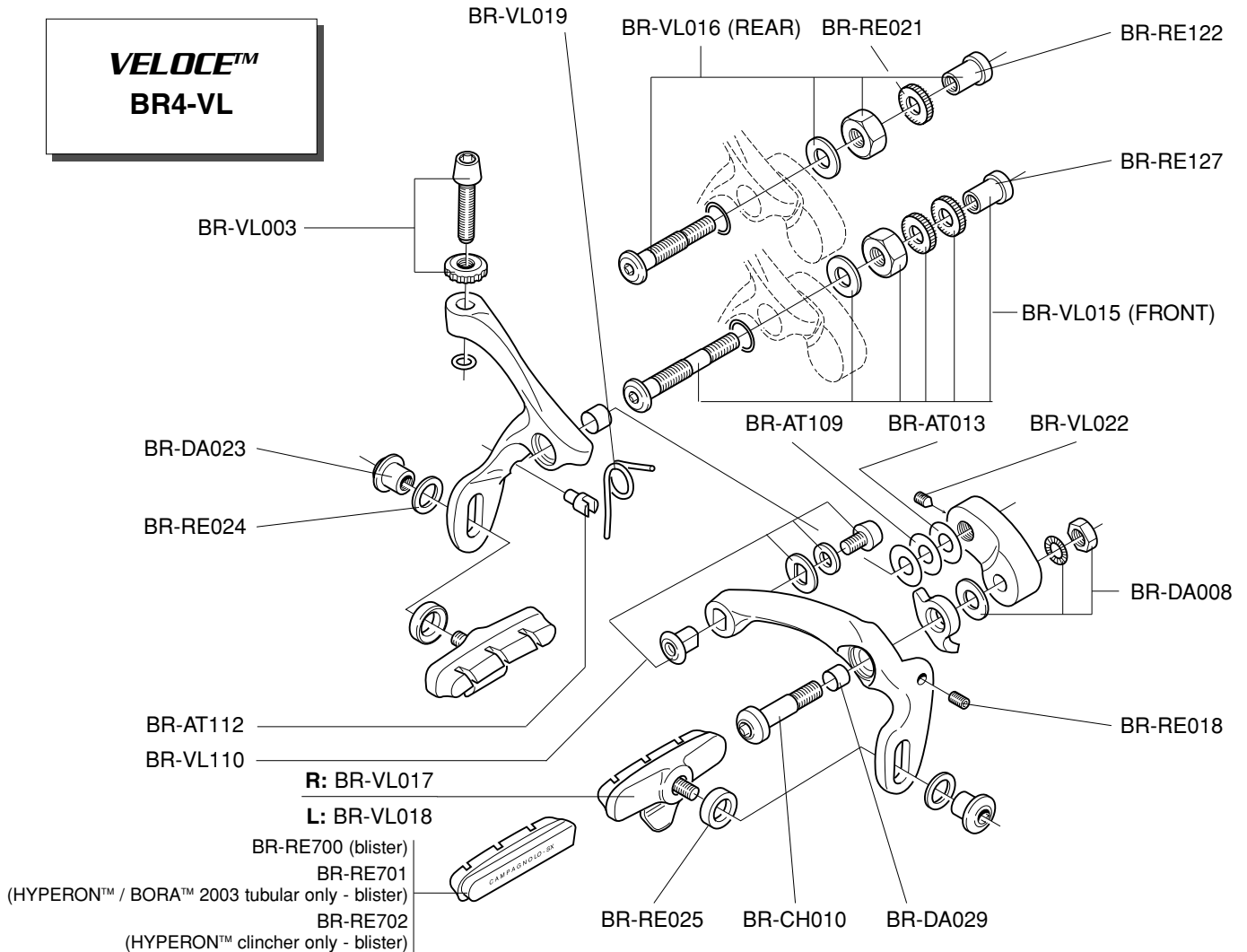
CHORUS™-D BR4-CHD



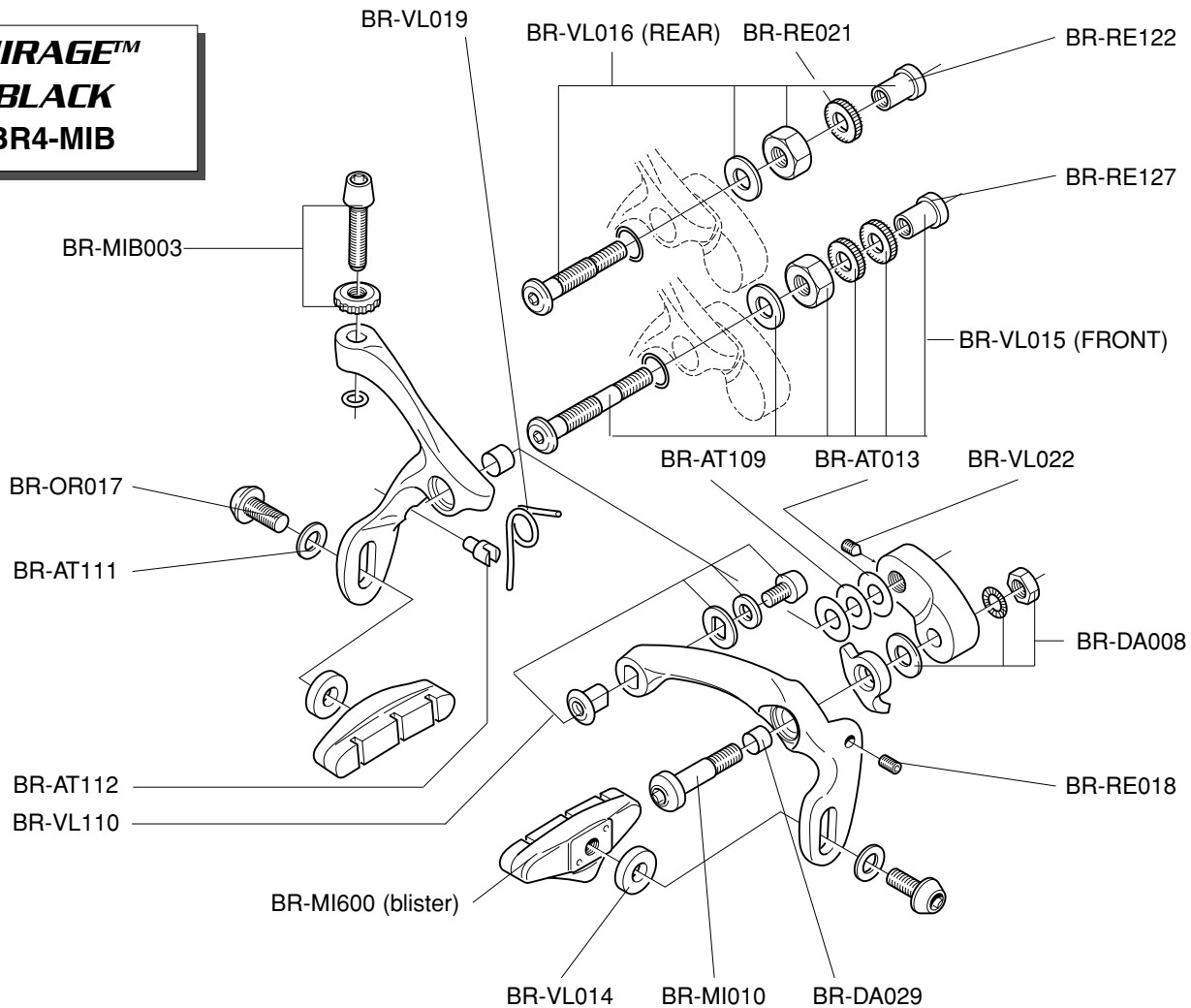
CENTAUR™
BR4-CE
CENTAUR™ C-GREY
BR4-CEG



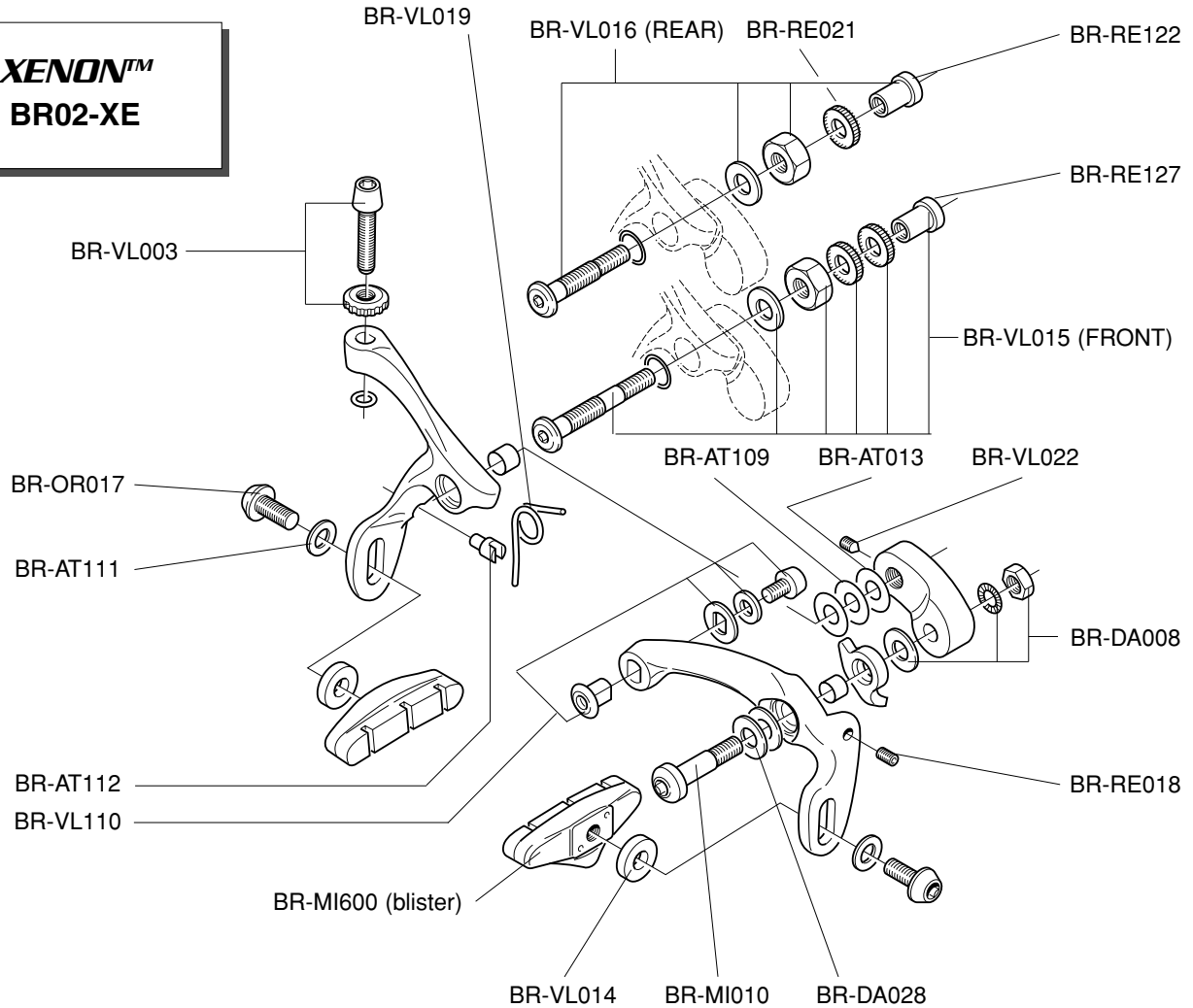
**VELOCE™
BR4-VL**



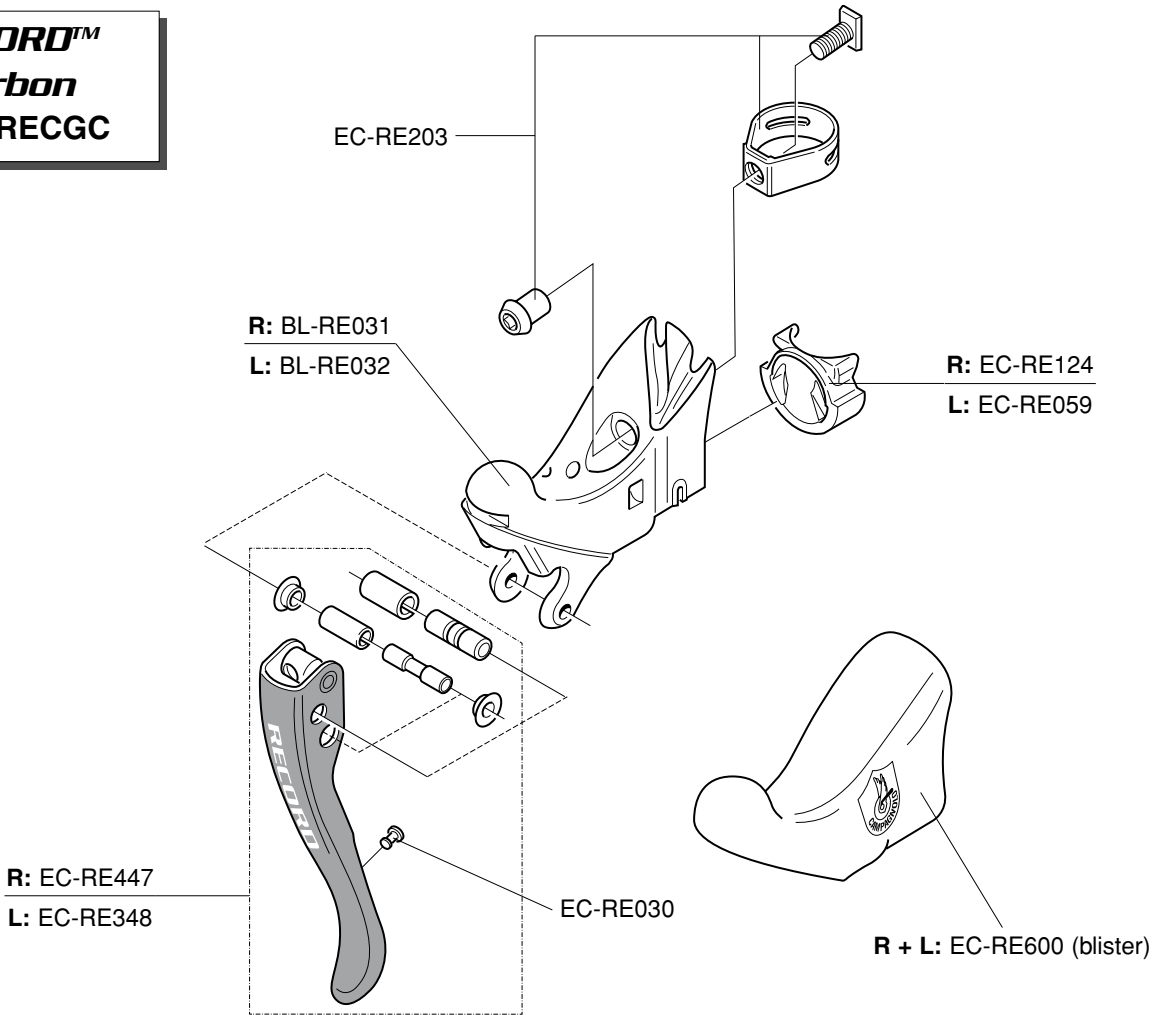
MIRAGE™
BLACK
BR4-MIB



XENON™ **BR02-XE**



RECORD™
Carbon
BL01-RECGC



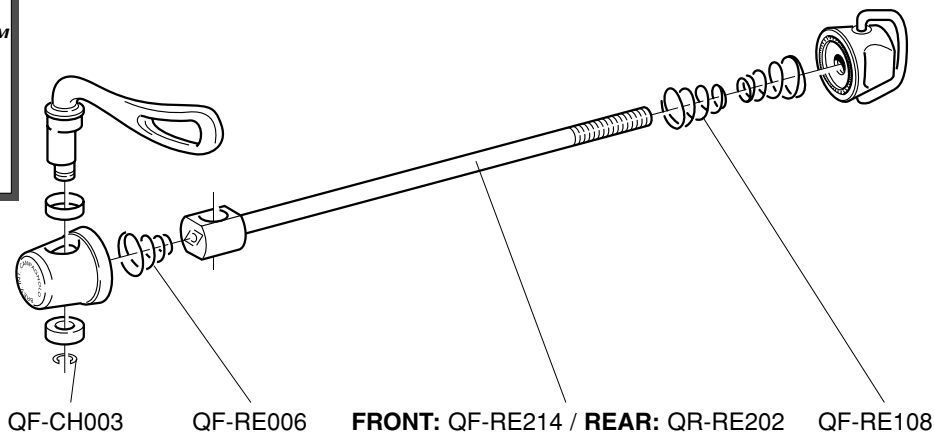
RECORD™

BORA™ - EURUS™ - GIBLI™

HYPERON™ - NEUTRON™

front: QF-RE121

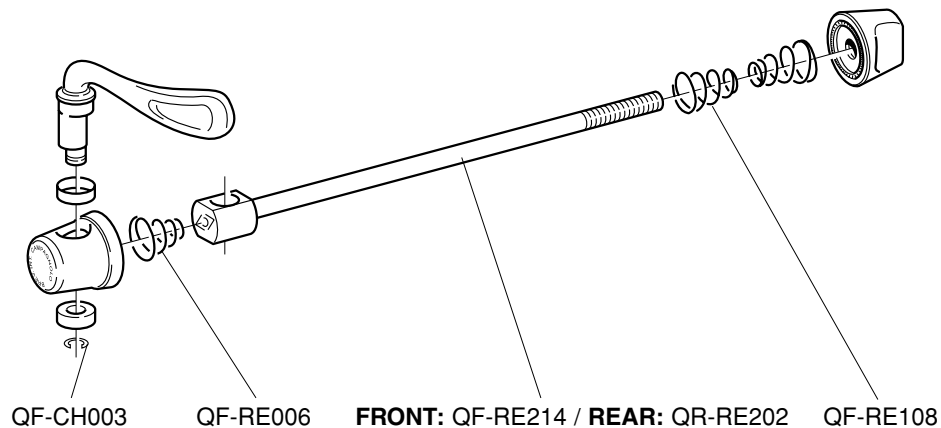
rear: QR-RE121



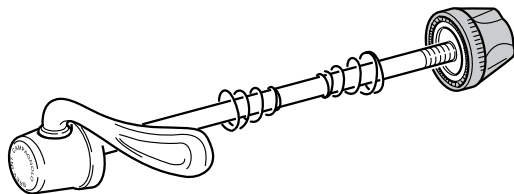
CHORUS™

front: QF-CH111

rear: QR-CH111

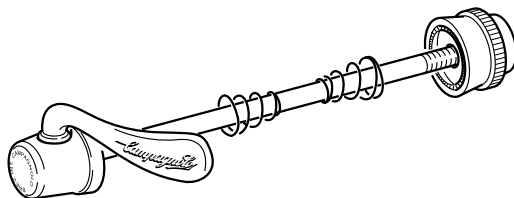


CENTAUR™
PROTON™
ZONDA™



FRONT: QF-AT101
REAR: QR-AT101

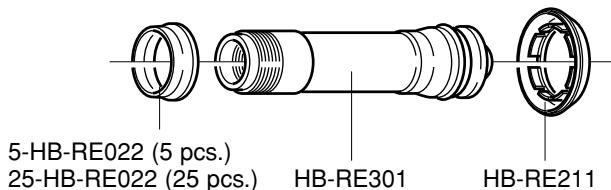
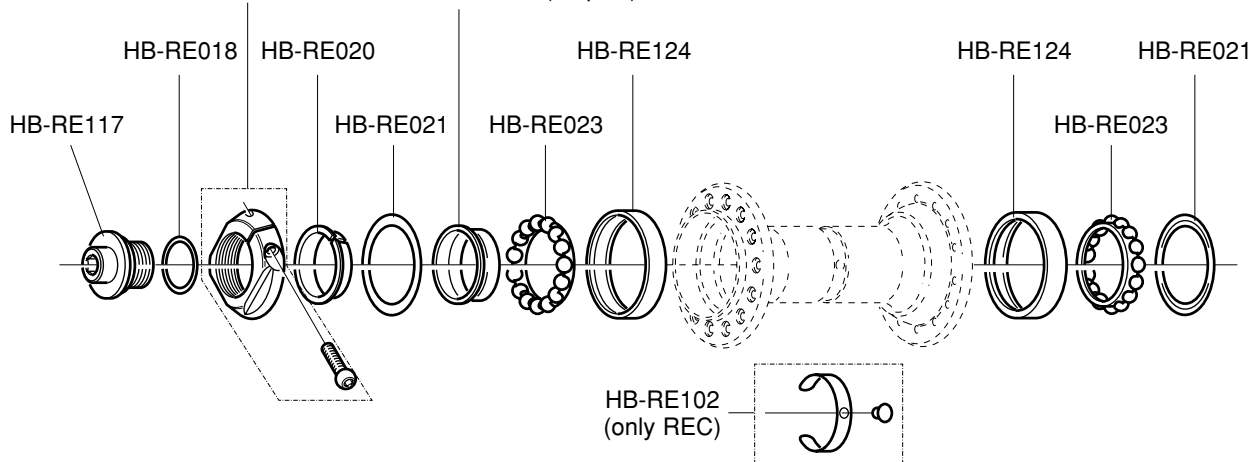
VELOCE™
SCIROCCO™
VENTO™



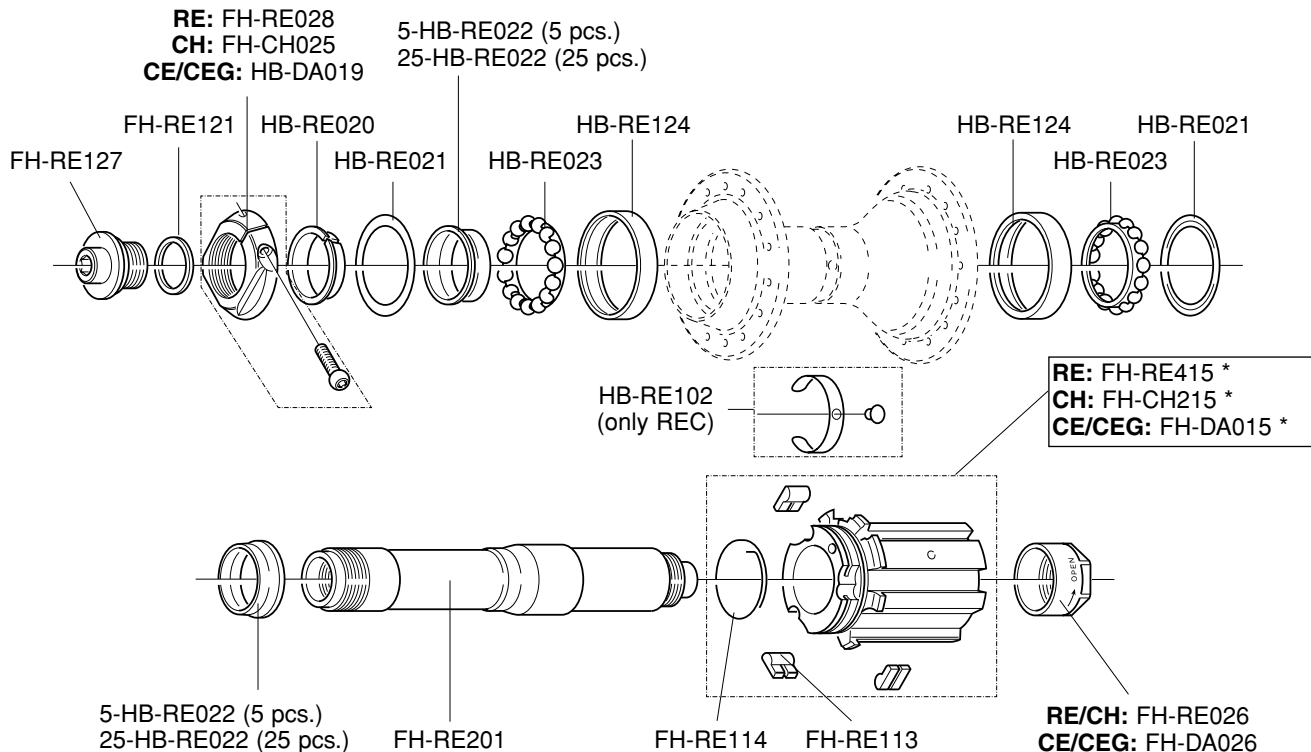
FRONT: QF-AT101
REAR: QR-AT101

RECORD™ HB02-RE..
CHORUS™ HB02-CH..
CENTAUR™ HB02-CE..
CENTAUR™ CENTURY GREY™ HB4-CEG.

RE/CH: HB-RE019 5-HB-RE022 (5 pcs.)
 CE/CEG: HB-DA019 25-HB-RE022 (25 pcs.)

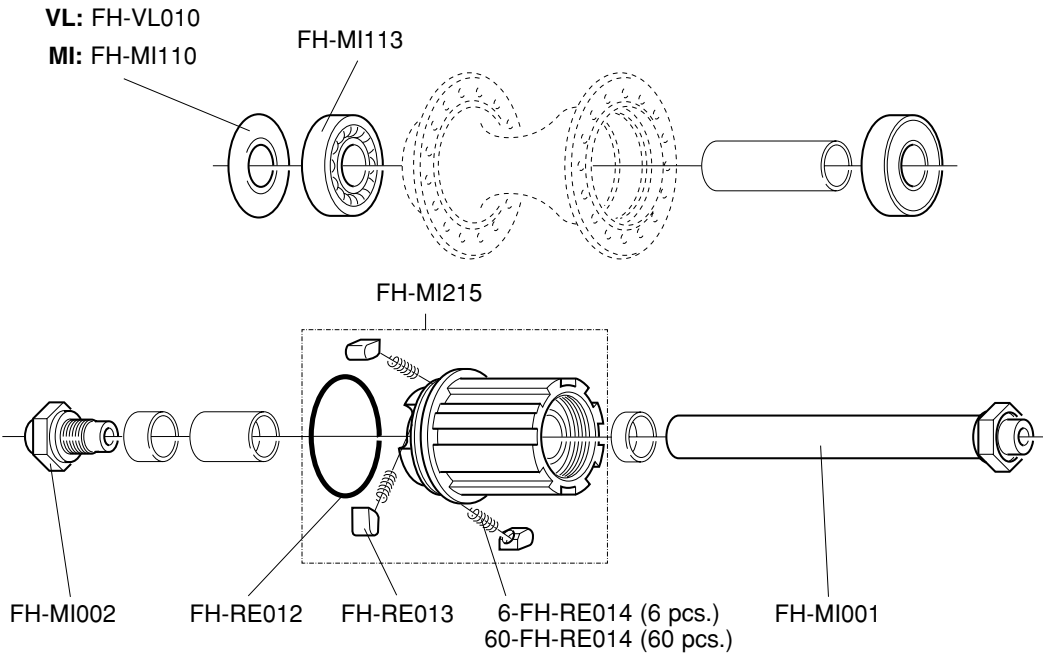
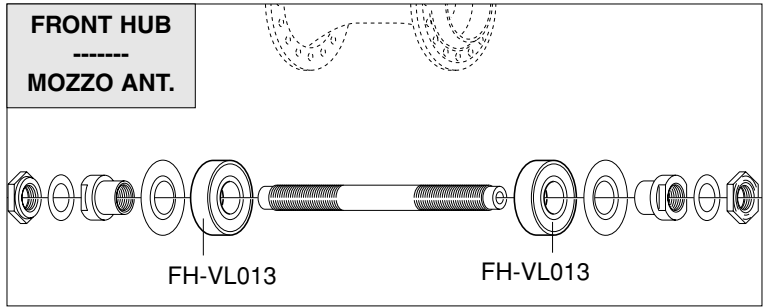


RECORD™ 9s/10s FH02-RE..
CHORUS™ 9s/10s FH02-CH..
CENTAUR™ 9s/10s FH02-CE..
CENTAUR™ CENTURY GREY™ 9s/10s FH4-CE.

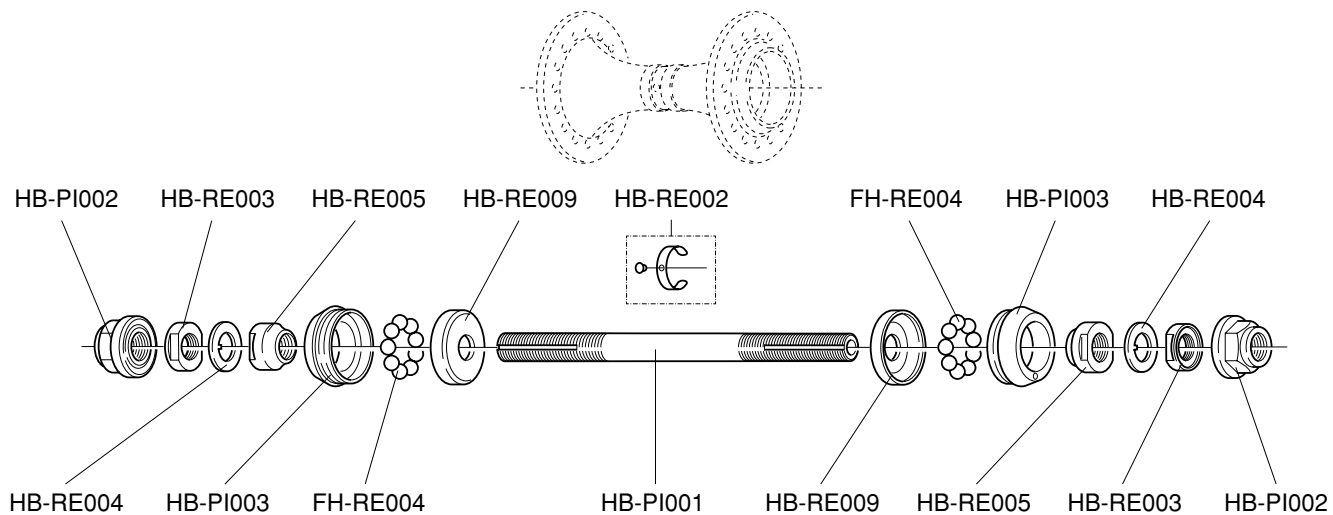


* HyGI 8/9 type FW body / corpetto RL tipo HyGI 8/9: **WH-KX1** (RECORD™ type) **WH-KX2** (CHORUS™ type)

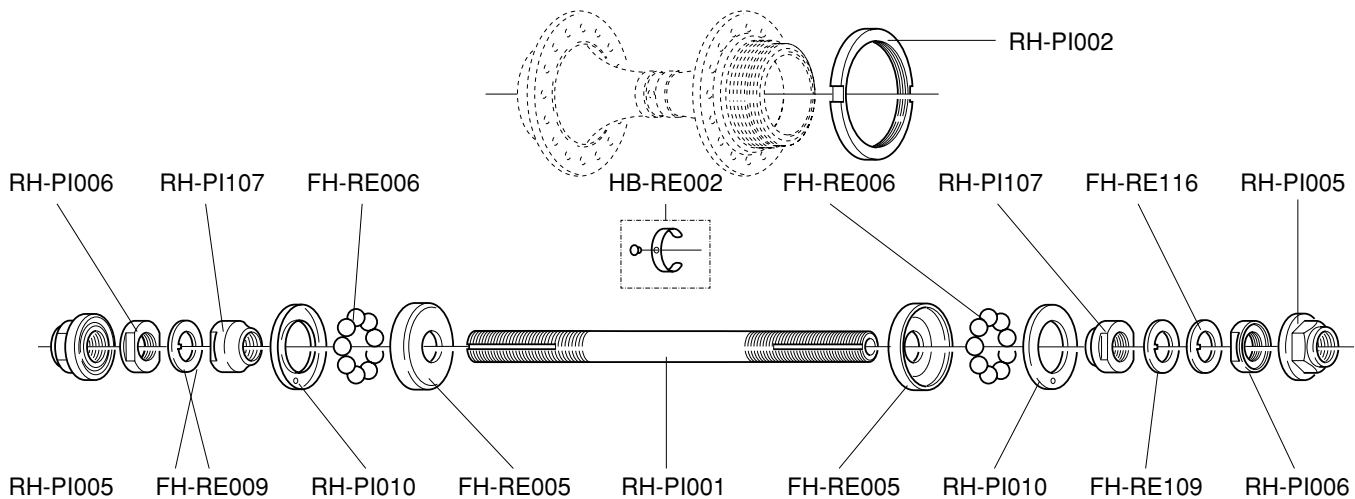
VELOCE™ 9s/10s FH02-VL..
MIRAGE™ 9s FH4-MIB.



RECORD™
PISTA
HB02-REPI..

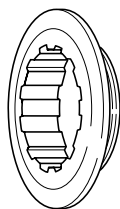


RECORD™
PISTA
FH02-REPI..



REAR HUB

**ECROUS
VERSCHLUSSRING**



**GHIERE
LOCKRINGS**

CODE CODICE	TYPE TIPO		RANGE GAMMA	HUB COMPATIBILITY COMPATIBILITÀ MOZZI
CS-401	<i>9s / 10s</i> "oversize" thread/fil.: 27 x 1	steel / acciaio	2000 e succ. 2000 and following	all groups / tutti i gruppi all wheels / tutte le ruote
			1999	™RECORD™ - CHORUS all wheels / tutte le ruote
CS-501	<i>9s / 10s</i> "oversize" thread/fil.: 27 x 1	steel / acciaio (for Z. 11)	2000 e succ. 2000 and following	all groups / tutti i gruppi all wheels / tutte le ruote
			1999	RECORD™ - CHORUS™ all wheels / tutte le ruote
CS-101T	<i>9s / 10s</i> "oversize" thread/fil.: 27 x 1	titanium / titanio	2000 e succ. 2000 and following	all groups / tutti i gruppi all wheels / tutte le ruote
			1999	RECORD™ - CHORUS™ all wheels / tutte le ruote
CS-201	<i>9s</i> thread/fil.: 26 x 1	steel / acciaio	1999	ATHENA - VELOCE™ - MIRAGE™
			1998 / 1997	9s groups / gruppi 9s 9s wheels / ruote 9s
CS-301	<i>9s</i> thread/fil.: 26 x 1	steel / acciaio (for Z. 11)	1999	ATHENA - VELOCE™ - MIRAGE™
			1998 / 1997	9s groups / gruppi 9s 9s wheels / ruote 9s
CS-001T	<i>9s</i> thread/fil.: 26 x 1	titanium / titanio	1999	ATHENA - VELOCE™ - MIRAGE™
			1998 / 1997	9s groups / gruppi 9s 9s wheels / ruote 9s '97 8s aluminum FW body / corpetto RL in alluminio 8s '97
CS-001V	<i>8s</i> thread/fil.: 29 x 1	steel / acciaio	1999 e prec. 1999 and previous	all 8s hubs (with steel FW body) tutti i mozzi 8s (con corpetto TL in acciaio)

RECORD™
UD 10s
CSK00-RE10..

DISTANZIALI / SPACERS

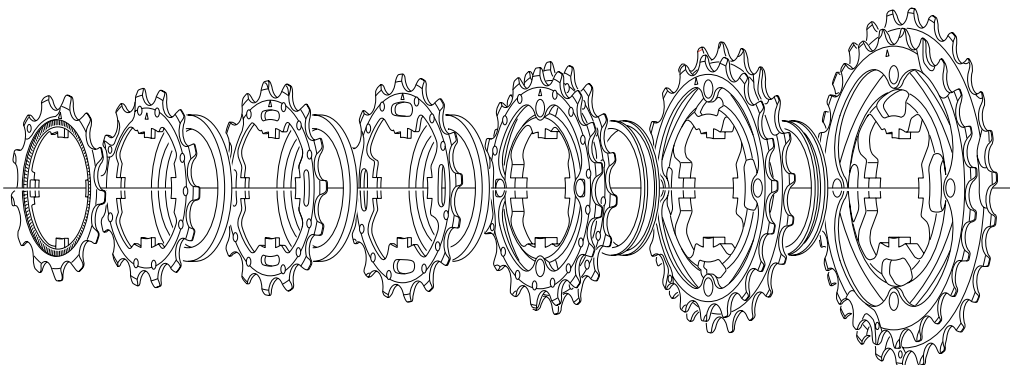
F = CS-601

G = CS-602

H = CS-603

I = CS-604

L = CS-605



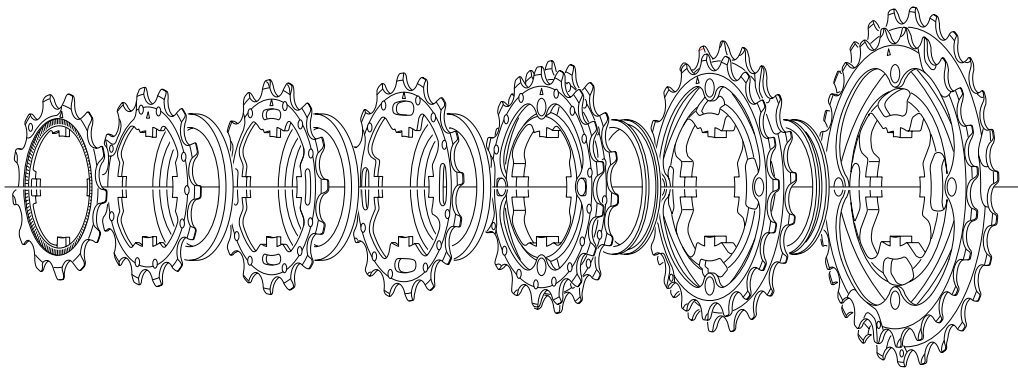
11 - 21	11A-1° 9S-011	12A-2° 10S-022		13A 10S-131	F	14A 10S-141	F	15A 10S-151	F	16A 10S-161	G	17A-18C* 10S-78CT	H	19C-21C* 10S-91CT
11 - 23	11A-1° 9S-011	12A-2° 10S-022		13A 10S-131	F	14A 10S-141	F	15A 10S-151	F	16A 10S-161	G	17A-19A* 10S-79AT	H	21A-23A* 10S-13AT
12 - 23	12A-1° 10S-032	13A 10S-131	F	14A 10S-141	F	15A 10S-151	F	16A 10S-161	I	17A 10S-171	G	18A-19A* 10S-89AT	H	21A-23A* 10S-113AT
12 - 25	12A-1° 10S-012	13A 10S-131	F	14A 10S-141	F	15A 10S-151	F	16A-17A* 10S-67A	I	19A-21A* 10S-91AT	L	23A-25A* 10S-35AT		
13 - 26	13A-1° 10S-013	14A 10S-141	F	15A 10S-151	F	16A 10S-161	F	17A-18C* 10S-78C	I	19C-21C* 10S-91CT	L	23C-26C* 10S-36CT		
13 - 29	13A-1° 10S-013	14A 10S-141	F	15A 10S-151	F	16A 10S-161	F	17A-19A* 10S-79A	I	21A-23A* 10S-13AT	L	26A-29A* 10S-69AT		

* pre-assembled

**RECORD™ UD
TITANIUM 10s
CSK00-RE10..T**

DISTANZIALI / SPACERS

F = CS-601
G = CS-602
H = CS-603
I = CS-604
L = CS-605



11 - 23	11A-1° 9S-011	12A-2° 10S-022T		13A 10S-131T	F	14A 10S-141T	F	15A 10S-151T	F	16A 10S-161T	G	17A-19A* 10S-79AT	H	21A-23A* 10S-13AT
12 - 25	12A-1° 10S-012T	13A 10S-131T	F	14A 10S-141T	F	15A 10S-151T	F	16A-17A* 10S-67AT	I	19A-21A* 10S-91AT	L	23A-25A* 10S-35AT		
13 - 26	13A-1° 10S-013T	14A 10S-141T	F	15A 10S-151T	F	16A 10S-161T	F	17A-18C* 10S-78CT	I	19C-21C* 10S-91CT	L	23C-26C* 10S-36CT		

* pre-assembled

CHORUS™
UD 10s
CSK00-CH10..

DISTANZIALI / SPACERS

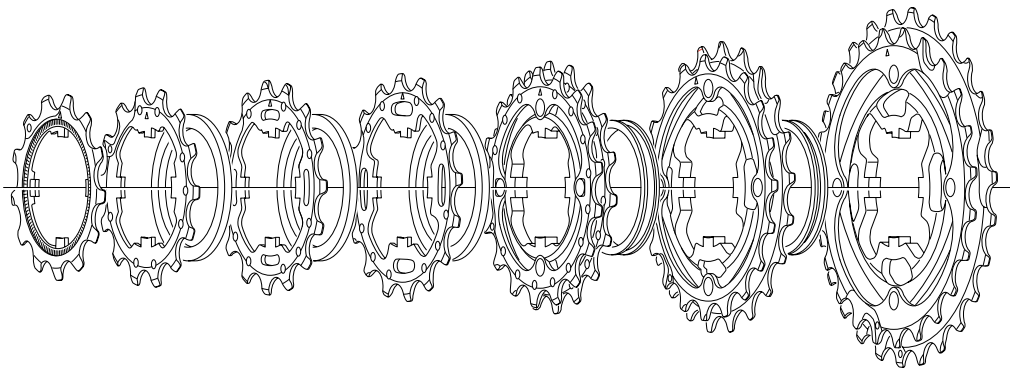
F = CS-601

G = CS-602

H = CS-603

I = CS-604

L = CS-605



11 - 23	11A-1° 9S-011	12A-2° 10S-022		13A 10S-131	F	14A 10S-141	F	15A 10S-151	F	16A 10S-161	G	17A-19A* 10S-79A	H	21A-23A* 10S-13A
12 - 25	12A-1° 10S-012	13A 10S-131	F	14A 10S-141	F	15A 10S-151	F	16A-17A* 10S-67A	I	19A-21A* 10S-91A	L	23A-25A* 10S-35A		
13 - 26	13A-1° 10S-013	14A 10S-141	F	15A 10S-151	F	16A 10S-161	F	17A-18C* 10S-78C	I	19C-21C* 10S-91C	L	23C-26C* 10S-36C		
13 - 29	13A-1° 10S-013	14A 10S-141	F	15A 10S-151	F	16A 10S-161	F	17A-19A* 10S-79A	I	21A-23A* 10S-13A	L	26A-29A* 10S-69A		

* pre-assembled

CENTAUR™
UD 10s
CS4-CEX..

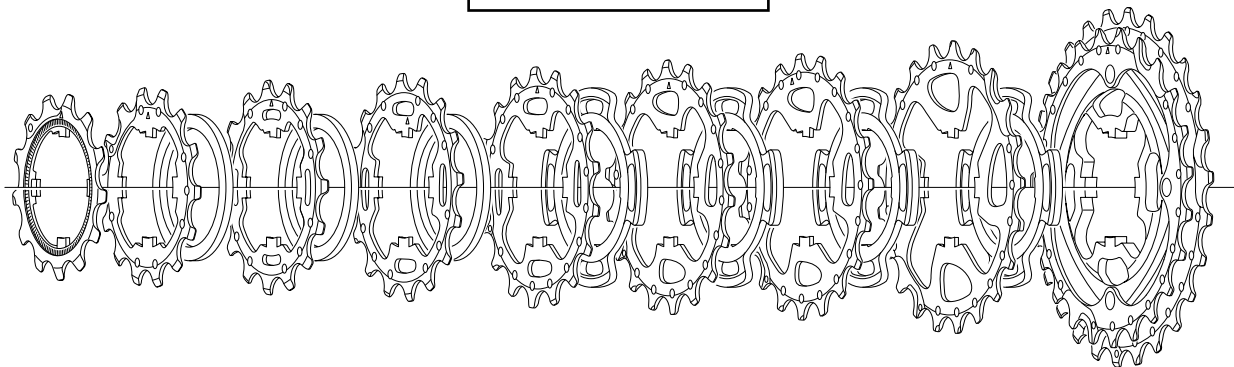
DISTANZIALI / SPACERS

F = CS-601

G = CS-602

M = CS-606

N = CS-607



11 - 23	11A-1° 9S-011	12A-2° 10S-022		13A 10S-131	F	14A 10S-141	F	15A 10S-151	F	16A 10S-161	G	17A 10S-171	N	19A 10S-191	M	21A-23A* 10S-13A
12 - 25	12A-1° 10S-032	13A 10S-131	F	14A 10S-141	F	15A 10S-151	F	16A 10S-161	F	17A 10S-171	N	19A 10S-191	N	21A 10S-211	M	23A-25A* 10S-35A
13 - 26	13A-1° 10S-023	14A 10S-141	F	15A 10S-151	F	16A 10S-161	F	17A 10S-171	N	18C 10S-183	N	19C 10S-193	N	21C 10S-213	M	23C-26C* 10S-36C
13 - 29	13A-1° 10S-023	14A 10S-141	F	15A 10S-151	F	16A 10S-161	F	17A 10S-171	N	19A 10S-191	N	21A 10S-211	N	23A 10S-231	M	26A-29A* 10S-69A

* pre-assembled

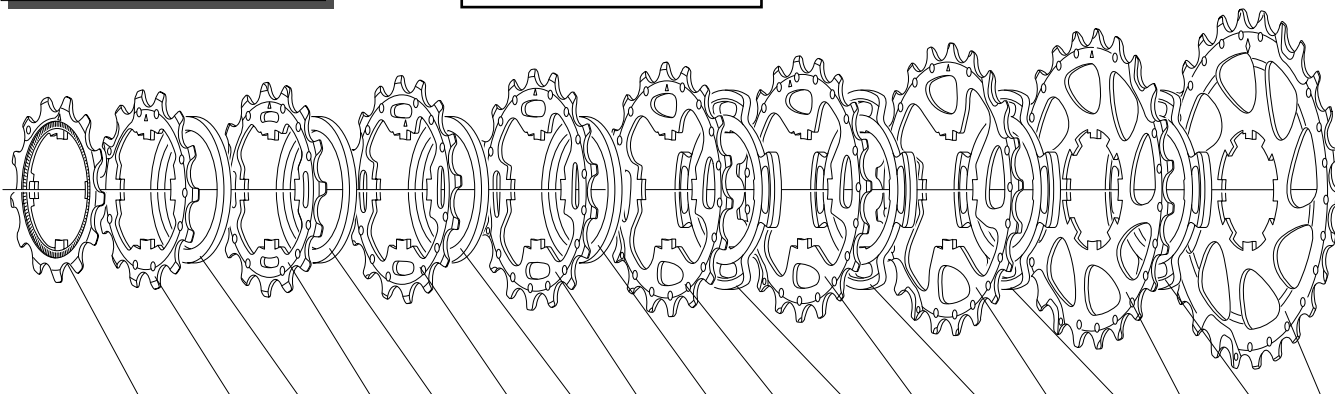
VELOCE™ UD 10s
CS4-VLX..

DISTANZIALI / SPACERS

F = CS-601

N = CS-607

P = CS-608

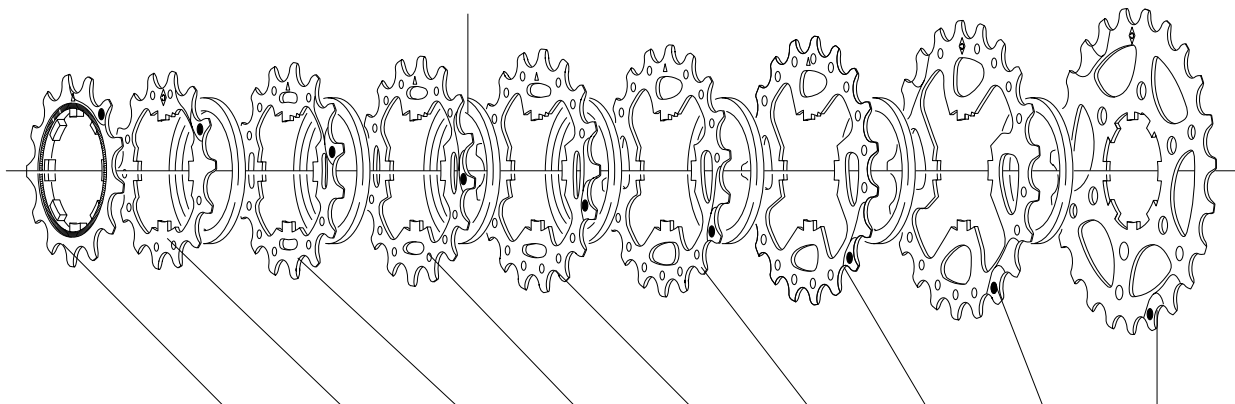


12 - 23	12A-1° 10S-032	13A 10S-131	F	14A 10S-141	F	15A 10S-151	F	16A 10S-161	F	17A 10S-171	N	18C 10S-193	N	19C 10S-193	N	21C 10S-213	P	23C 10S-233
12 - 25	12A-1° 10S-032	13A 10S-131	F	14A 10S-141	F	15A 10S-151	F	16A 10S-161	F	17A 10S-171	N	19A 10S-191	N	21A 10S-211	N	23A 10S-231	P	25A 10S-251
13 - 26	13A-1° 10S-023	14A 10S-141	F	15A 10S-151	F	16A 10S-161	F	17A 10S-171	F	18C 10S-183	N	19C 10S-193	N	21C 10S-213	N	23C 10S-233	P	26C 10S-263
13 - 29	13A-1° 10S-023	14A 10S-141	F	15A 10S-151	F	16A 10S-161	F	17A 10S-171	F	19A 10S-191	N	21A 10S-211	N	23A 10S-231	N	26A 10S-261	P	29A 10S-291
14 - 23	14A-1° 10S-014	15A 10S-151	F	16A 10S-161	F	17A 10S-171	F	18C 10S-183	F	19C 10S-193	N	20D 10S-204	N	21D 10S-214	N	22D 10S-224	P	23D 10S-234

VELOCE™ UD 9s
CS01-EC09..

MIRAGE UD 9s compatible

CS-102



12 - 23	12A-1° 9S-113	13A 9S-131	14A 9S-141	15A 9S-151	16A 9S-161	17A 9S-171	19A 9S-191	21A 9S-211	23A 9S-231
13 - 23	13A-1° 9S-114	14A 9S-141	15A 9S-151	16A 9S-161	17A 9S-171	18C 9S-183	19C 9S-193	21C 9S-213	23C 9S-233
13 - 26	13A-1° 9S-114	14A 9S-141	15A 9S-151	16A 9S-161	17A 9S-171	19A 9S-191	21A 9S-211	23A 9S-231	26A 9S-261
13 - 28	13B-1° 9S-015	14B 9S-142	15B 9S-152	17B 9S-172	19A 9S-191	21A 9S-211	23A 9S-231	25A 9S-251	28A 9S-281
14 - 28	14A-1° 9S-016	15A 9S-151	16A 9S-161	17A 9S-171	19A 9S-191	21A 9S-211	23A 9S-231	25A 9S-251	28A 9S-281

RECORD™
PRO-FIT PLUS™
PD01-RE

CHORUS™
PRO-FIT PLUS™
PD01-CH

CENTAUR™
PRO-FIT PLUS™
PD02-CE

RECORD™	R	PD-RE303
	L	PD-RE304

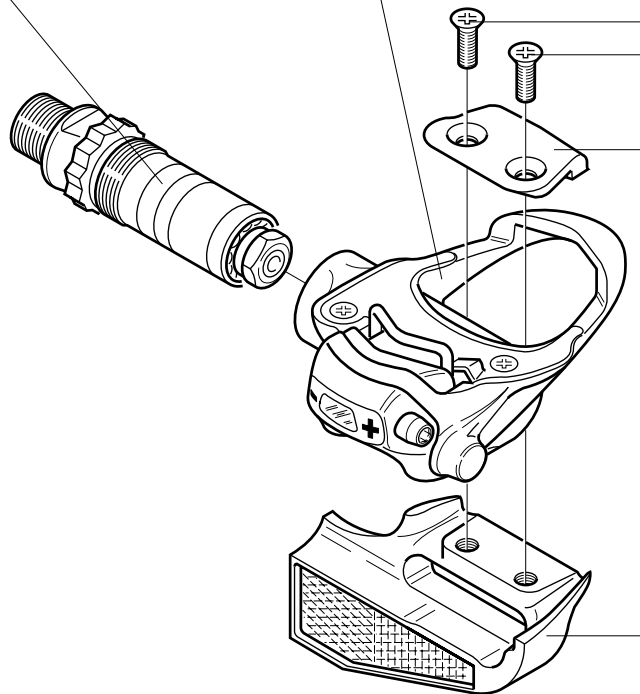
CHORUS™	R	PD-CH303
	L	PD-CH304

CENTAUR™	R	PD-DA003
	L	PD-DA004

RECORD™	R	PD-RE301
	L	PD-RE302

CHORUS™	R	PD-CH301
	L	PD-CH302

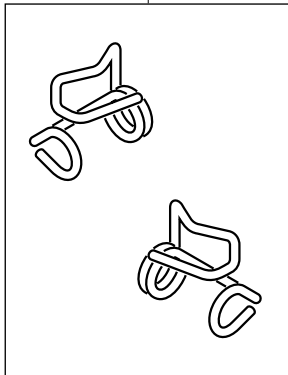
CENTAUR™	R	PD-CE001
	L	PD-CE002



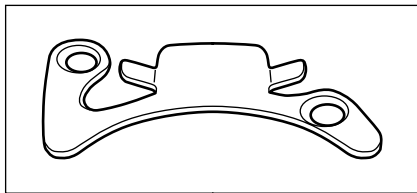
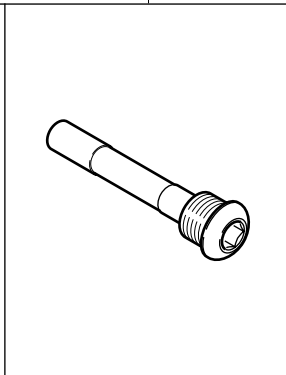
PD-RE108
(2 pcs.)

**PRO-FIT™ /
PRO-FIT PLUS™
SPARE PARTS**

R + L: PD-RE105

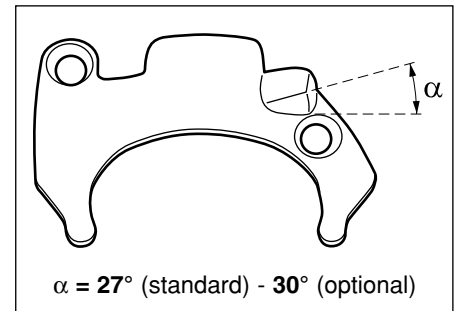
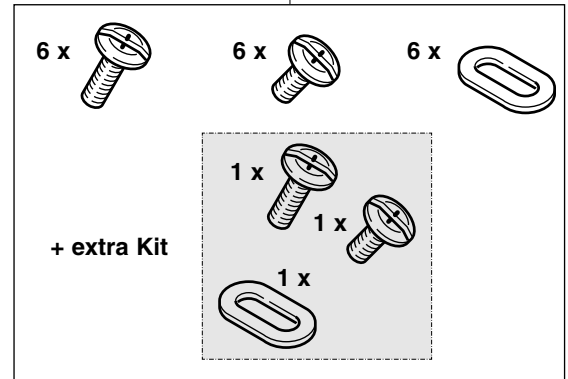


PD-RE107



**PRO-FIT™
PD-RE111**

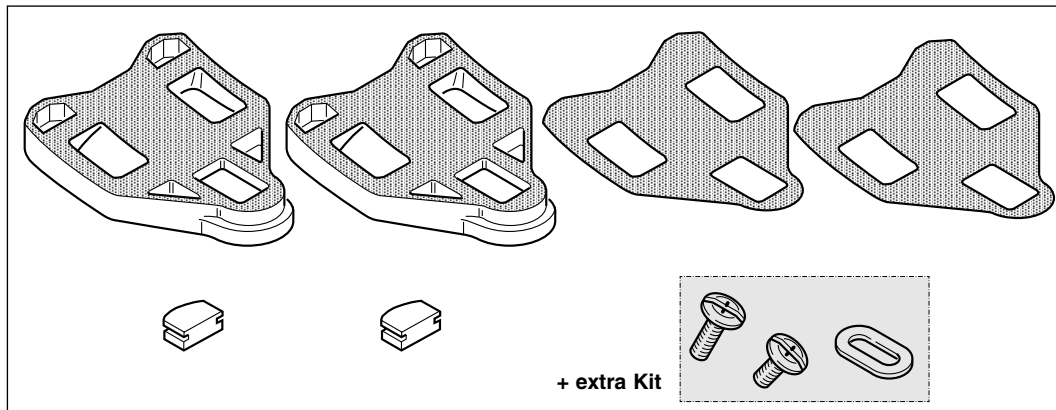
PD-RE116 (blister)



$\alpha = 27^\circ$ (standard) - 30° (optional)

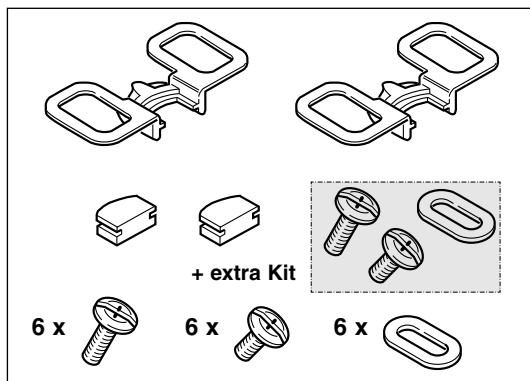
**PRO-FIT PLUS™
PD-RE110: standard - 27°
PD-RE109: HRE - optional - 30°**

**PRO-FIT™ /
PRO-FIT PLUS™
SPARE PARTS**



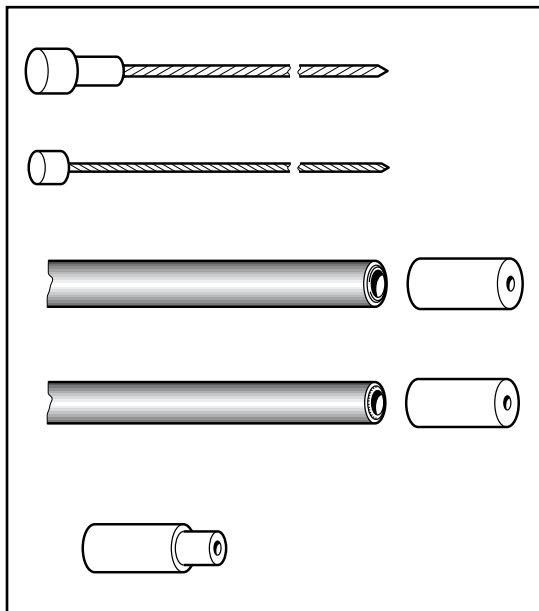
**FLOATING CLEATS
PD-RE020
(blister)**

**FIXED CLEATS
PD-RE021
(blister)**



PD-RE200 (blister)

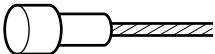

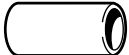


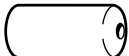

CABLES & CASINGS complete sets



<p>ERGOPOWER</p>	<p>CG-ER500 *</p> <p>CG-ER201BP (240 pcs. / pz.)</p>	
<p>TRADITIONAL</p>	<p>Brakes</p>	<p>CG-BR201</p>
	<p>Derailleurs</p>	<p>CG-DD201</p>

* blister-packed (incl. brake housing ferrules) / in conf. blister (incl. capi guaina)

CABLES & CASINGS SPARE PARTS

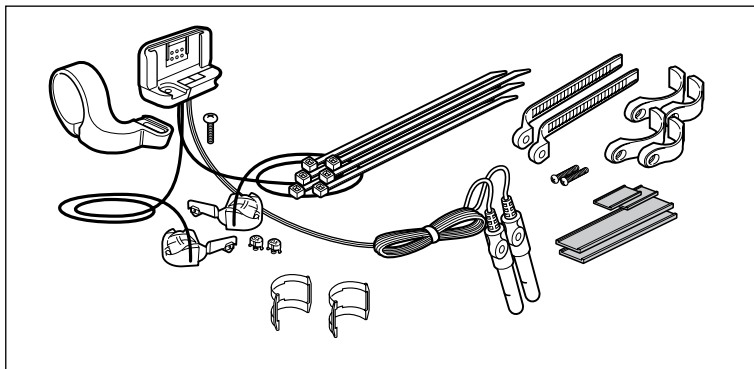
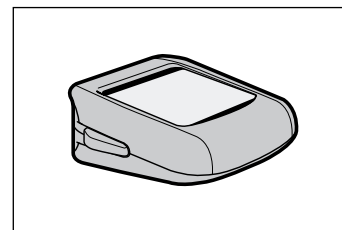
		FRONT	REAR	
BRAKES		Ø 1,6 mm L. 800 mm CG-CB003	Ø 1,6 mm L. 1600 mm 10-CG-CB013 (10 pcs.) - 50-CG-CB013 (50 pcs.)	
		Ø 5 mm L. 580 mm CG-CS014	Ø 5 mm L. 1250 mm CG-CS002	
		Ø 6 mm CG-CS011 (not sealed / senza guarnizione)		
DERAILLEURS	 Ø 1,2 mm	ERGOPOWER	L. 1600	CG-CB014
		ERGOPOWER	L. 2000	10-CG-CB009 (10 pcs.) - 50-CG-CB009 (50 pcs.)
		SHIFTING LEVERS	L. 830	CG-CB011
		SHIFTING LEVERS	L. 1600	CG-CB014
	 Ø 4,5 mm	ERGOPOWER	L. 680	CG-CS015
		ERGOPOWER	L. 330	CG-CS008
		Ø 5,7 mm CG-CS012 (sealed / con guarnizione)		
		Ø 5,7/4 mm CG-CS013 (sealed / con guarnizione)		



MAIN UNIT / SOLO COMPUTER

ErgoBrain 10™ CI03-EB10C3

(triple compatible)



ASSEMBLY KIT / KIT D'INSTALLAZIONE

ErgoBrain™ CI00-EB09B1

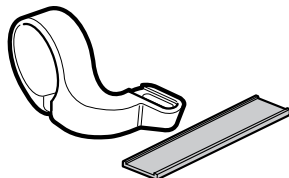
(for 9s drivetrain / per trasmissione 9s)

ErgoBrain 10™ CI00-EB10B2

(for 10s drivetrain / per trasmissione 10s)

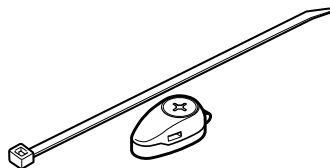
ErgoBrain™

ErgoBrain10™



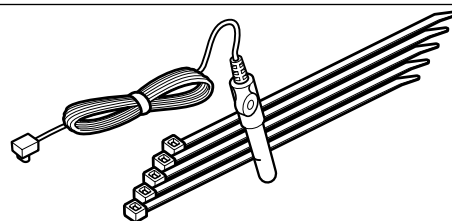
31,7 mm arm / fascetta 31,7 mm

CI-EB001



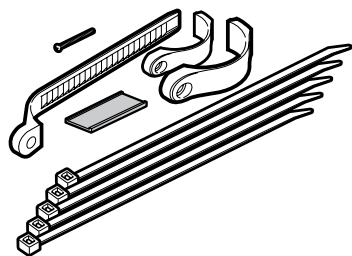
CDC magnet / magnete cadenza

CI-EB003



CDC sensor / sensore cadenza

CI-EB006



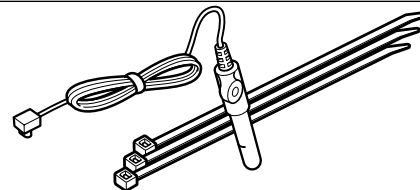
Sensor attachment / fascetta sensori

CI-EB002



CDC PRO-FIT pedal magnet /
magnete cadenza pedale PRO-FIT

CI-EB004



SPD sensor / sensore velocità

CI-EB007



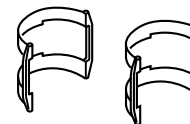
push buttons / copripulsanti

CI-EB009



SPD magnet / magnete velocità

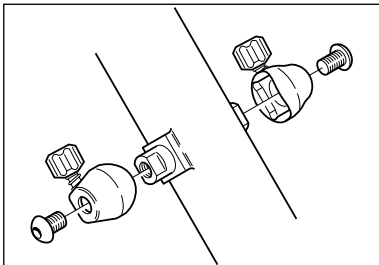
CI-EB008



spacers / distanziali

CI-EB010

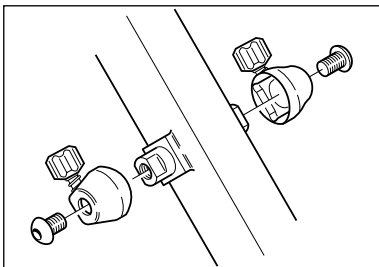
ERGOPOWER BLOCKS



FOR ROUND DOWN TUBE

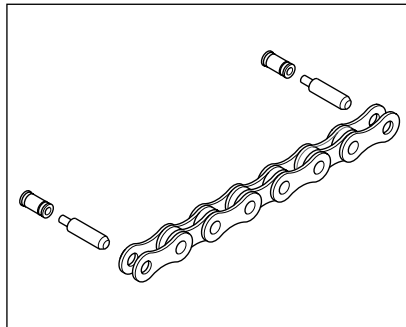
Aluminum: **EC-RE001**

Resin: **EC-AT001**



FOR FLAT DOWN TUBE

Resin: **EC-AT002**



CN-RE200

HD-Link™

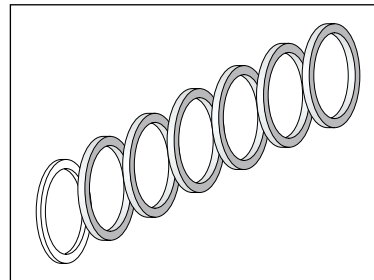
for C10™ UD™ and C10™ HD-L™
chains (blister-packed)



LB-1CN

SUPERLATIVE™

chain lubricant



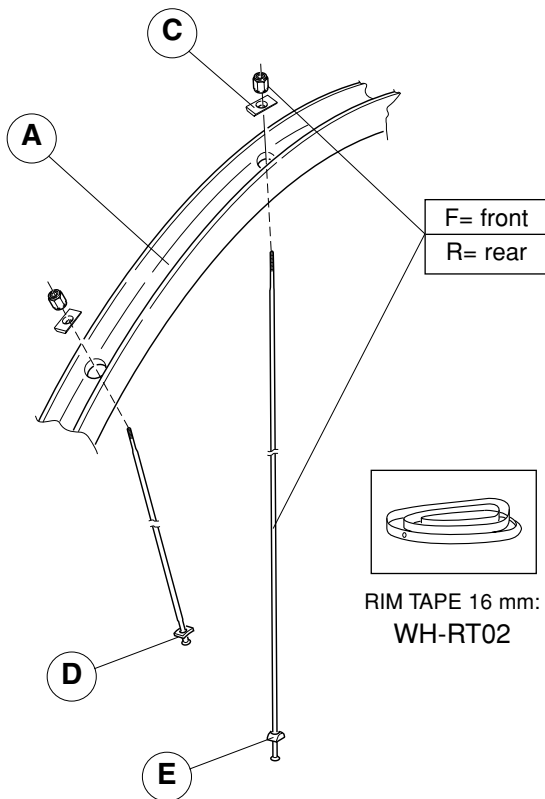
KIT-03

Transforms a Veloce™ 9s sprocket set into a 8s cassette.

Only for 9s/10s hub/wheels.

RD-RE700	rotelline cambio 10s (8,4 mm)	10s (8,4 mm) rear derailleur pulleys	jeu de galets dérail. arr. 10s (8,4 mm)
RD-RE600	rotelline cambio 9s (8,8 mm)	9s (8,8 mm) rear derailleur pulleys	jeu de galets dérail. arr. 9s (8,8 mm)
RD-RE500	rotelline cambio 8s (9,8 mm)	8s (9,8 mm) rear derailleur pulleys	jeu de galets dérail. arr. 8s (9,8 mm)
EC-RE600	coprisupporti EP dx + sx "new style"	right + left EP rubber hoods (new style)	repose-main EP droit + gauche "new style"
EC-RE500	coprisupporti EP dx + sx "old style"	right + left EP rubber hoods (old style)	repose-main EP droit + gauche "old style"
BR-RE701	pattini freno per ruote HYPERON™ e BORA™ 2003 tubolare	brake pads for HYPERON™ and BORA™ 2003 tubular wheels	patins de frein roues HYPERON™ et BORA™ 2003 boyaux
BR-RE702	pattini freno per ruote HYPERON™ copertoncino	brake pads for HYPERON™ clincher wheels	patins de frein roues HYPERON™ pnéus étroits
BR-RE700	pattini freno	brake pads	patins de frein
BR-RE600	pattini freno	brake pads	patins de frein
BR-MI600	pattini freno compl.	compl. brake pads	patins de frein compl.
BL-RE500	coprisupporti tradizionali dx + sx (gamma 2000 e prec.)	r + l traditional rubber hoods (2000 range and prev.)	repose-main trad. droit + gauche (gamme 2000 et préc.)
PD-RE020	tacchette pedali (con gioco)	self-aligning pedal cleats	plaques avec jeu pour pédales
PD-RE021	tacchette pedali (senza gioco)	fixed pedal cleats	plaques sans jeu pour pédales
PD-RE200	denti d'aggancio pedali + viti	pedal engaging hooks + screws	dispositifs d'accrochage pédales + vis
PD-RE116	viti fissaggio tacchette pedali	pedal cleats fixing screws	vis fixation plaques pédales
CG-ER500	cavi e guaine EP (con capi-guaina)	EP cables and casings (with brake housing ferrules)	câbles et gaines EP (avec butée de gaines)
CN-RE200	HD-LINK™ per catene C10™ UD™ e HD-L™	HD-LINK™ for C10™ UD™ and HD-L™ chains	HD-LINK™ for C10™ UD™ and HD-L™ chains

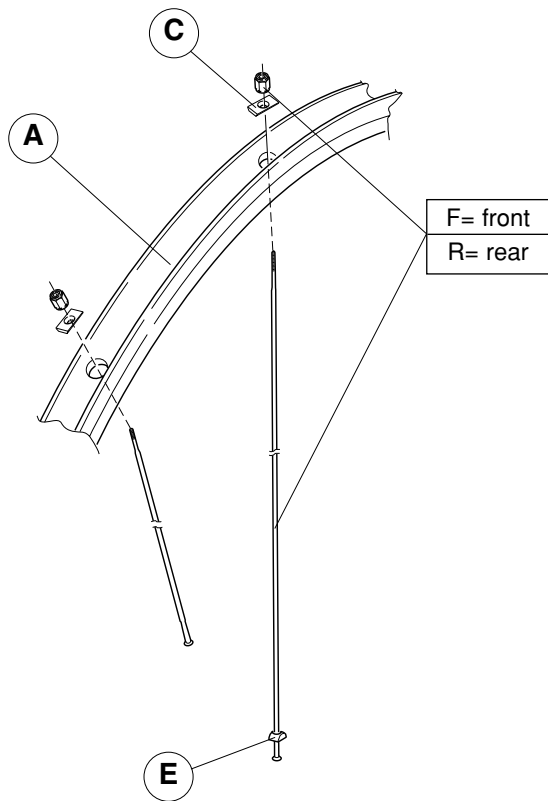
HYPERON Ultra / HYPERON clincher 9s / 10s



COMPLETE WHEELS	A	Compl. KIT	MINI-KIT
FRONT			
WH4-HYCFU clincher 28"	WH-003HYU	KIT-03HYU (24F+24C)	HYPERON ULTRA KIT-200HYU (2F+2R right +2R left+6C+2E)
WH4-HYCF clincher 28"	WH-003HY	KIT-03HY (24F+24C+24D)	
REAR			
WH4-HYCRU clincher 28"	WH-004HYU	KIT-04HYU (13R right+13R left+26C+13E)	HYPERON KIT-200HY (2F+2R right +2R left+6C+4D+2E)
WH4-HYCR WH4-HYCRX clincher 28"	WH-004HY	KIT-04HY (13R right+13R left+26C+13D+13E)	

COMPLETE WHEELS	F	R right	R left
WH4-HYCFU clincher 28"	L. 292 mm WH-005HYC (10 pcs.)		
WH4-HYCF clincher 28"	L. 292 mm WH-005HYC (10 pcs.)		
WH4-HYCRU clincher 28"		L. 292 mm WH-006HYC (10 pcs.)	L. 291 mm WH-007HYC (10 pcs.)
WH4-HYCR WH4-HYCRX clincher 28"		L. 292 mm WH-006HYC (10 pcs.)	L. 291 mm WH-008HYC (10 pcs.)

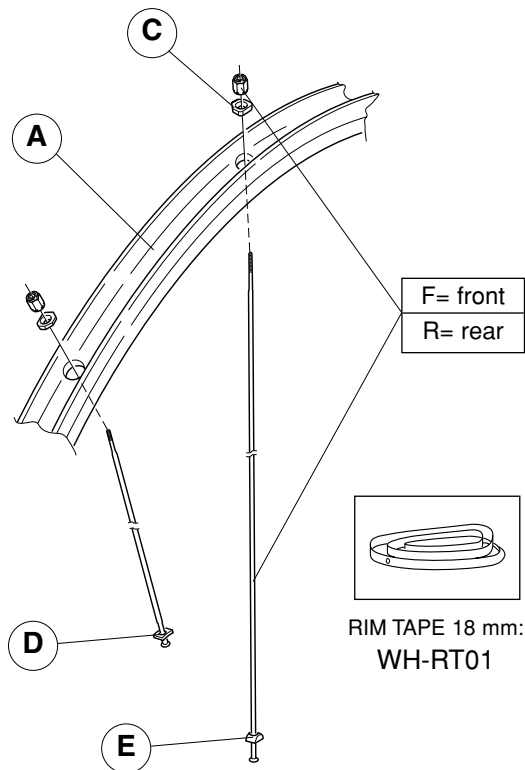
HYPERON
tubular
9s / 10s



COMPLETE WHEELS	A	Compl. KIT	MINI-KIT
FRONT			KIT-100HY (2F+2R right +2R left+6C+2E)
WH02-HYTF tubular 28"	WH-001HY	KIT-01HY (24F+24C)	
REAR			
WH02-HYTR WH02-HYTRX tubular 28"	WH-002HY	KIT-02HY (13R right+13R left+26C+13E)	

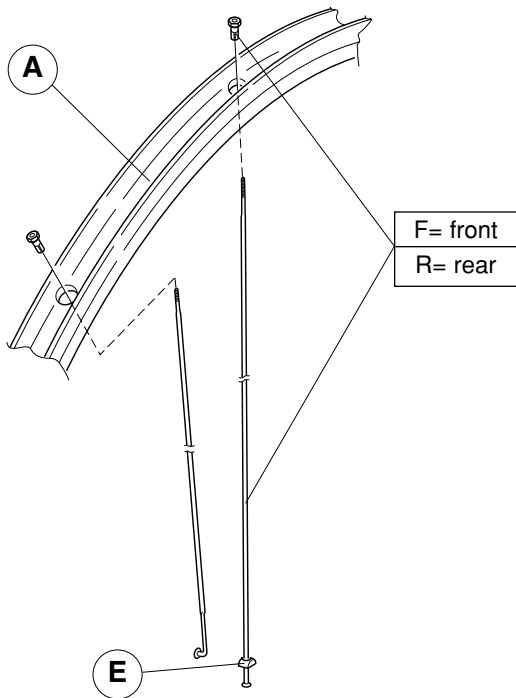
COMPLETE WHEELS	F	R right	R left
WH02-HYTF tubular 28"	L. 294,5 mm WH-005HYT (10 pcs.)		
WH02-HYTR WH02-HYTRX tubular 28"		L. 295 mm WH-006HYT (10 pcs.)	L. 294,5 mm WH-007HYT (10 pcs.)

NEUTRON 9s / 10s



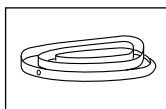
COMPLETE WHEELS	A	Compl. KIT	MINI-KIT
FRONT			
WH02-NETF tubular 28"	WH-001NE	KIT-01NE (24F+24C+24D)	<u>tubular</u> KIT-100NE (2F+2R right +2R left+6C+4D+2E)
WH4-NECF clinchner 28"	WH-103NE	KIT-03NE (24F+24C+24D)	
REAR			
WH02-NETR WH02-NETRX tubular 28"	WH-002NE	KIT-02NE (13R right+13R left+26C+13D+13E)	<u>clinchner</u> KIT-200NE (2F+2R right +2R left+6C+4D+2E)
WH4-NECR WH4-NECRX clinchner 28"	WH-104NE	KIT-04NE (13R right+13R left+26C+13D+13E)	
COMPLETE WHEELS	F	R right	R left
WH02-NETF tubular 28"	L. 296,5 mm WH-005NET (10 pcs.)		
WH4-NECF clinchner 28"	L. 294,25 mm WH-005NEC (10 pcs.)		
WH02-NETR WH02-NETRX tubular 28"		L. 299,5 mm WH-006NET (10 pcs.)	L. 296,5 mm WH-007NET (10 pcs.)
WH4-NECR WH4-NECRX clinchner 28"		L. 296,5 mm WH-006NEC (10 pcs.)	L. 294,75 mm WH-007NEC (10 pcs.)

PROTON 9s / 10s



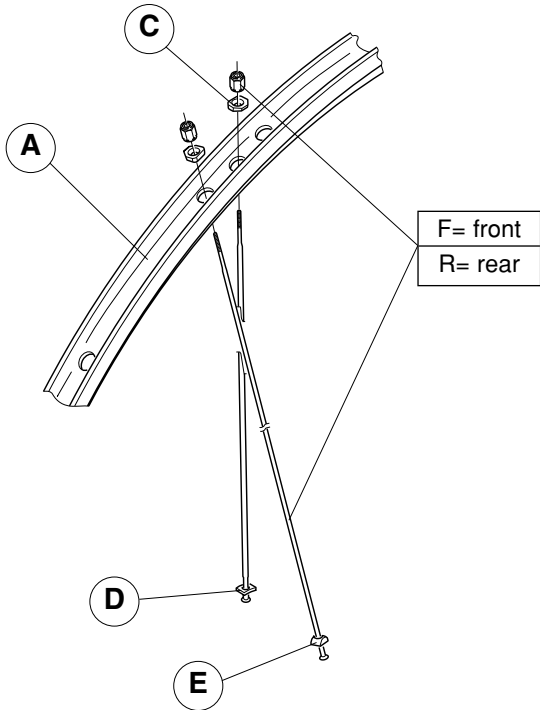
COMPLETE WHEELS	A	Compl. KIT	MINI-KIT
FRONT			
WH4-PRCF clincher 28"	WH-201PR	KIT-03PR (24F)	KIT-400PR (2F+2R right +2R left+2E)
REAR			
WH4-PRCR WH4-PRCRX clincher 28"	WH-202PR	KIT-04PR (13R right+13R left+13E)	

COMPLETE WHEELS	F	R right	R left
WH4-PRCF clincher 28"	L. 283 mm WH-005PRC (10 pcs.)		
WH4-PRCR WH4-PRCRX clincher 28"		L. 292 mm WH-006PRC (10 pcs.)	L. 283 mm WH-005PRC (10 pcs.)



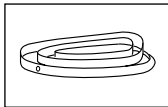
RIM TAPE 18 mm:
WH-RT01

EURUS 9s / 10s



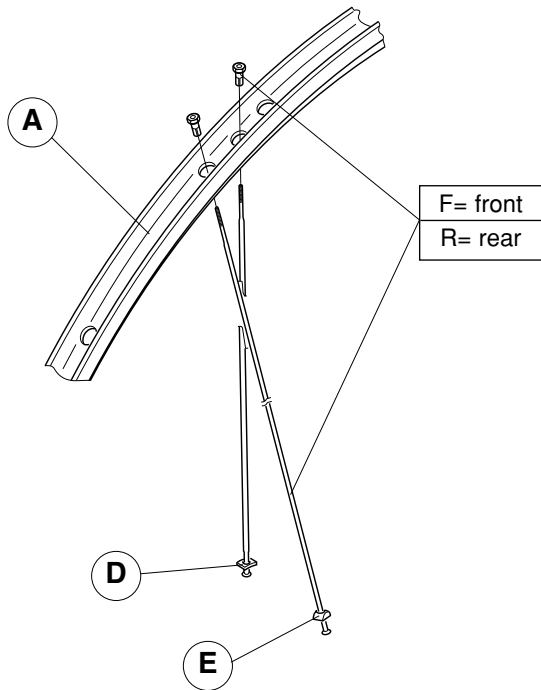
COMPLETE WHEELS	A	Compl. KIT	MINI-KIT
FRONT			
WH02-EUCF clincher 28"	WH-003EU	KIT-03EU (18F+18C+18D)	KIT-200EU (2F+2R right +2R left+6C+4D+2E)
REAR			
WH02-EUCR WH02-EUCRX clincher 28"	WH-004EU	KIT-04EU (15R right+8R left+23C+8D+15E)	

COMPLETE WHEELS	F	R right	R left
WH02-EUCF clincher 28"	L. 285 mm WH-005EUC (10 pcs.)		
WH02-EUCR WH02-EUCRX clincher 28"		L. 288 mm WH-006EUC (10 pcs.)	L. 285 mm WH-007EUC (10 pcs.)



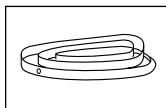
RIM TAPE 18 mm:
WH-RT01

ZONDA 9s / 10s



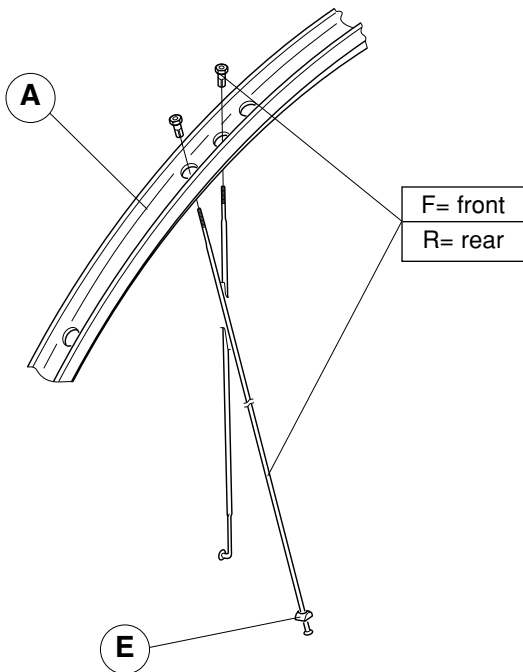
COMPLETE WHEELS	A	Compl. KIT	MINI-KIT
FRONT			
WH4-ZOCF clincher 28"	WH-103ZO	KIT-13ZO (18F+18D)	KIT-300ZO (2F+2R right +2R left+2E+4D)
REAR			
WH4-ZOCR WH4-ZOCRX clincher 28"	WH-104ZO	KIT-14ZO (15R right+8R left +8D+15E)	

COMPLETE WHEELS	F	R right	R left
WH4-ZOCF clincher 28"	L. 279 mm WH-005ZOC (10 pcs.)		
WH4-ZOCR WH4-ZOCRX clincher 28"		L. 282 mm WH-006ZOC (10 pcs.)	L. 279 mm WH-007ZOC (10 pcs.)



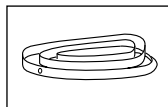
RIM TAPE 18 mm:
WH-RT01

SCIROCCO 9s / 10s



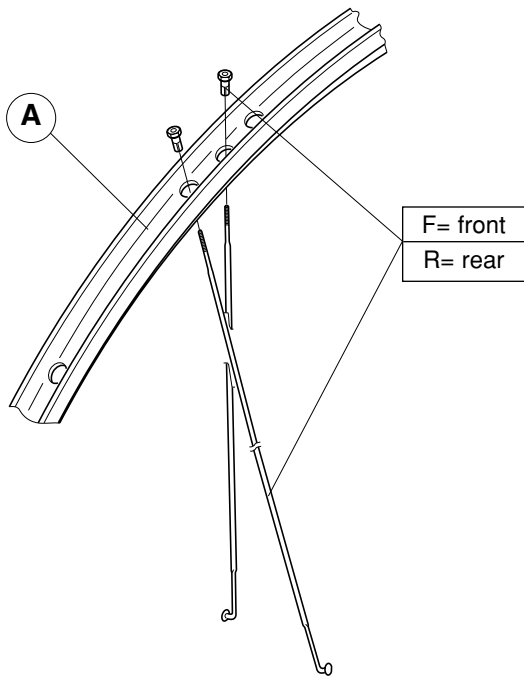
COMPLETE WHEELS	A	Compl. KIT	MINI-KIT
FRONT			
WH4-SCCF clincher 28"	WH-003SC	KIT-23SC (26F)	KIT-500SC (2F+2R right +2R left+2E)
REAR			
WH4-SCCR WH4-SCCRX clincher 28"	WH-004SC	KIT-14SC (17R right+9R left+17E)	

COMPLETE WHEELS	F	R right	R left
WH4-SCCF clincher 28"	L. 274 mm WH-005SCC (10 pcs.)		
WH4-SCCR WH4-SCCRX clincher 28"		L. 279 mm WH-006SCC (10 pcs.)	L. 272 mm WH-007SCC (10 pcs.)



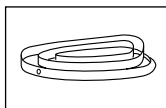
RIM TAPE 18 mm:
WH-RT01

VENTO 9s / 10s



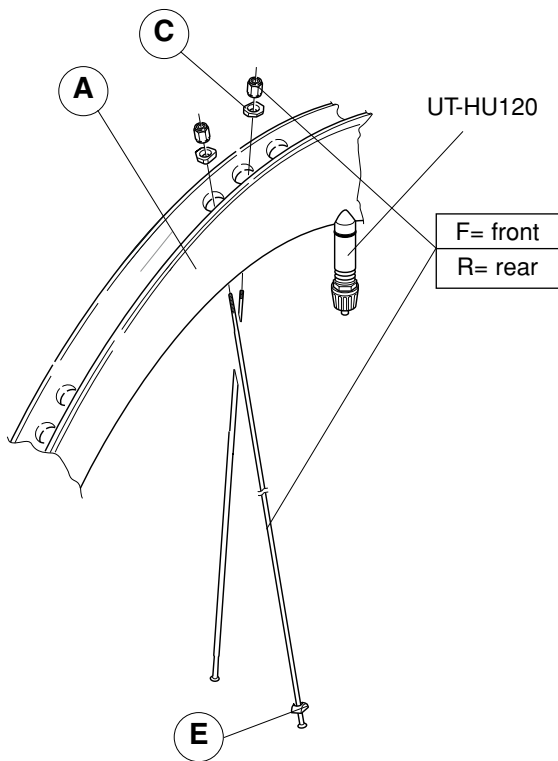
COMPLETE WHEELS	A	Compl. KIT	MINI-KIT
FRONT			KIT-400VE (2F+2R right +2R left)
WH4-VECF clincher 28"	WH-003VE	KIT-03VE (26F)	
REAR			
WH4-VECR WH4-VECRX clincher 28"	WH-004VE	KIT-04VE (19R right+10R left)	

COMPLETE WHEELS	F	R right	R left
WH4-VECF clincher 28"	L. 278 mm WH-005VEC (10 pcs.)		
WH4-VECR WH4-VECRX clincher 28"		L. 288 mm WH-006VEC (10 pcs.)	L. 278 mm WH-007VEC (10 pcs.)



RIM TAPE 16 mm:
WH-RT02

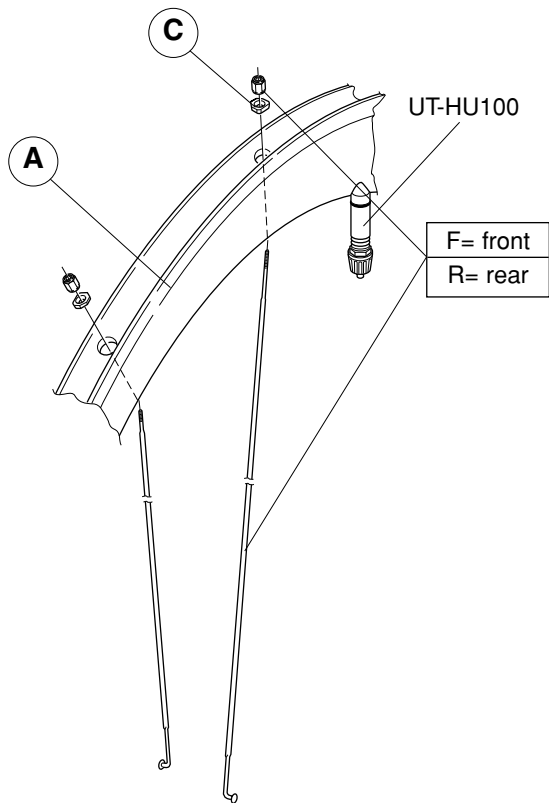
BORA
"full carbon"
9s / 10s



COMPLETE WHEELS	A	Compl. KIT	MINI-KIT
FRONT			
WH03-BOTF tubular 28"	WH-401BO	KIT-21BO (20F+20C)	KIT-200BO (2F+2R right +2R left+6C+2E)
REAR			
WH03-BOTR WH03-BOTRX tubular 28"	WH-302BO	KIT-22BO (15R right+8R left+23C+15E)	

COMPLETE WHEELS	F	R right	R left
WH03-BOTF tubular 28"	L. 264 mm WH-005BOT (10 pcs.)		
WH03-BOTR WH03-BOTRX tubular 28"		L. 268 mm WH-006BOT (10 pcs.)	L. 268 mm WH-007BOT (10 pcs.)

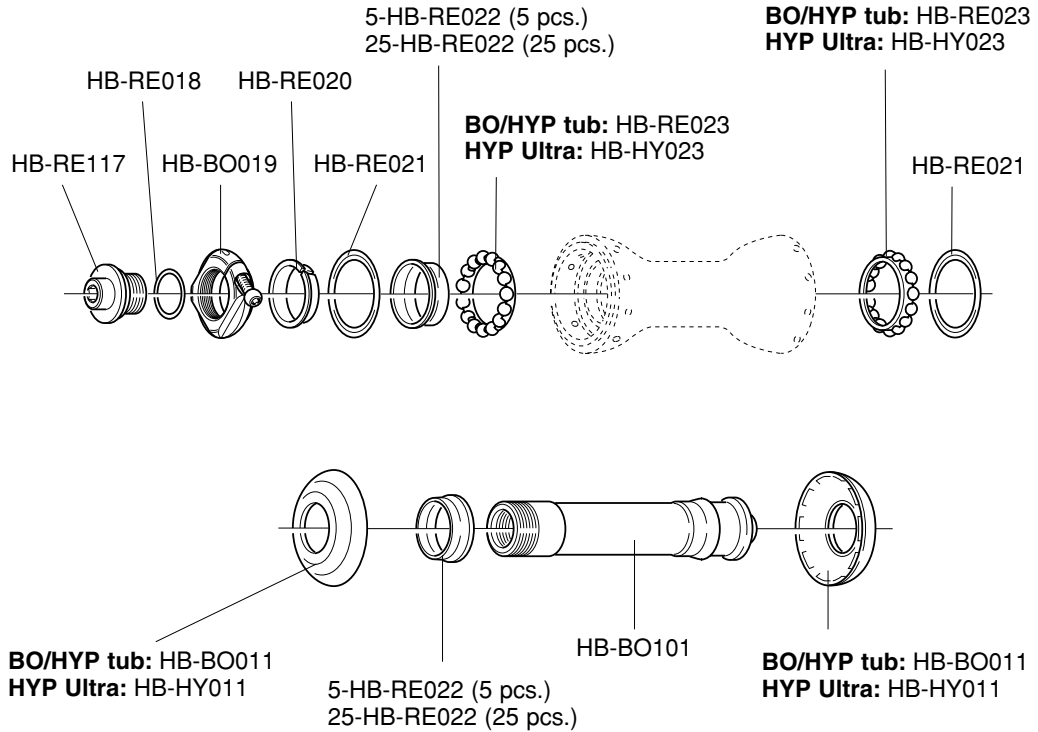
PISTA



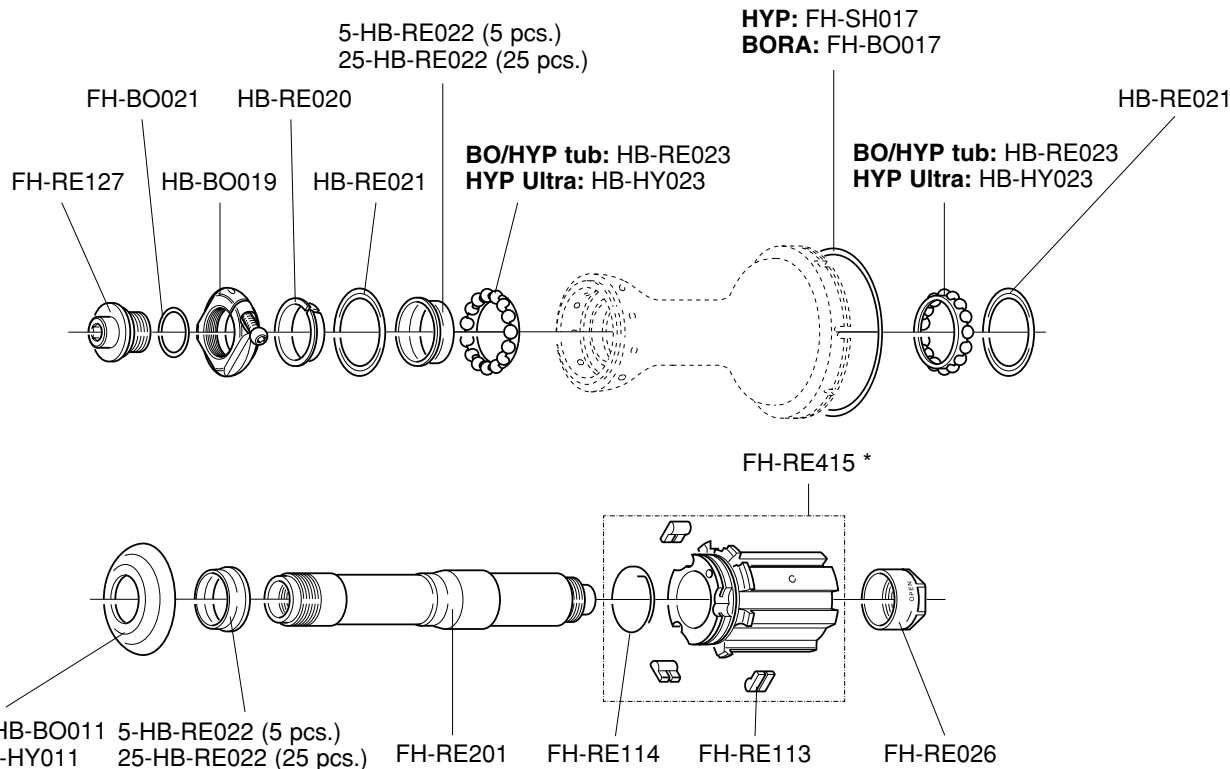
COMPLETE WHEELS	A	Compl. KIT	MINI-KIT	
FRONT				
WH02-PTF tubular 28"	WH-001PI	KIT-01PI (22F+22C)	KIT-100PI (3F+3R+6C)	
REAR				
WH02-PTR tubular 28"	WH-002PI	KIT-02PI (26R+26C)		

COMPLETE WHEELS	F	R
WH02-PTF tubular 28"	L. 278 mm WH-005PIT (10 pcs.)	
WH02-PTR tubular 28"		L. 287 mm WH-006PIT (10 pcs.)

MOZZO ANTERIORE
HYPERON tub. / HYPERON ULTRA clincher / BORA "full carbon" tub.
FRONT HUB

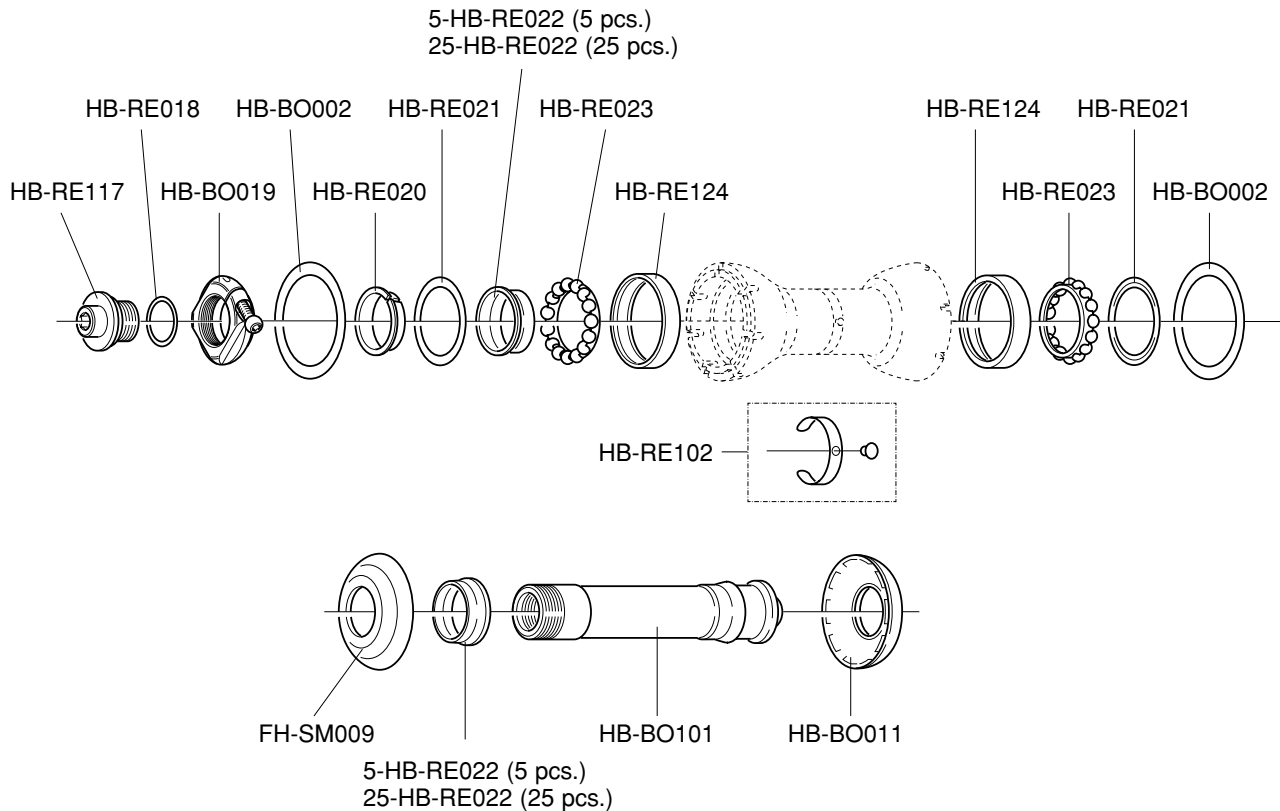


MOZZO POSTERIORE 9s / 10s
HYPERON tub. / HYPERON ULTRA clincher / BORA "full carbon" tub.
9s / 10s REAR HUB



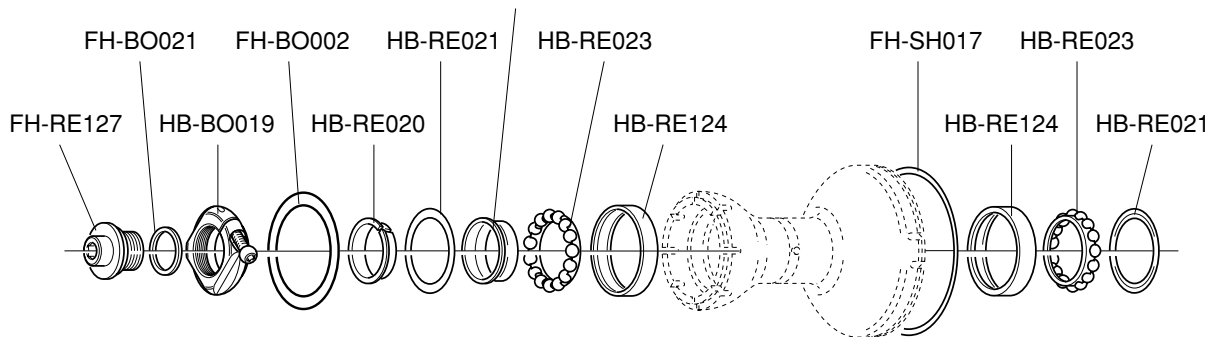
* HG 8/9 type FW body / corpetto RL tipo HG 8/9: **WH-KX1** (RECORD type) **WH-KX2** (CHORUS type)

MOZZO ANTERIORE *NEUTRON - EURUS - HYPERON clincher - ZONDA* FRONT HUB

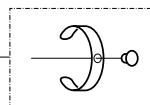


MOZZO POSTERIORE 9s / 10s
NEUTRON - EURUS - HYPERON clincher - ZONDA
9s / 10s REAR HUB

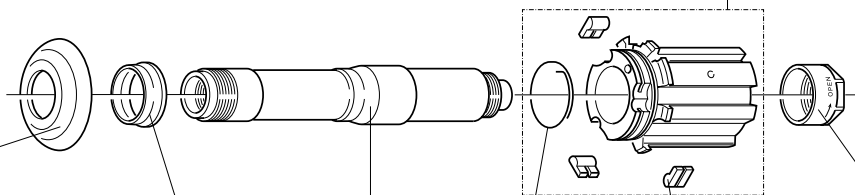
5-HB-RE022 (5 pcs.)
 25-HB-RE022 (25 pcs.)



HB-RE102



FH-RE415 *



NE/EU/HYP: WH-009VE
ZO: FH-SM009

5-HB-RE022 (5 pcs.)
 25-HB-RE022 (25 pcs.)

FH-RE201

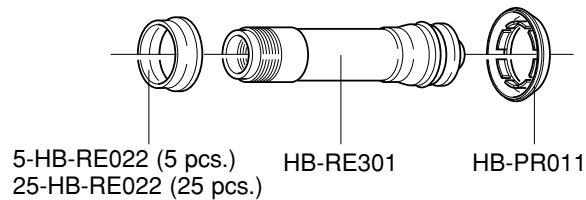
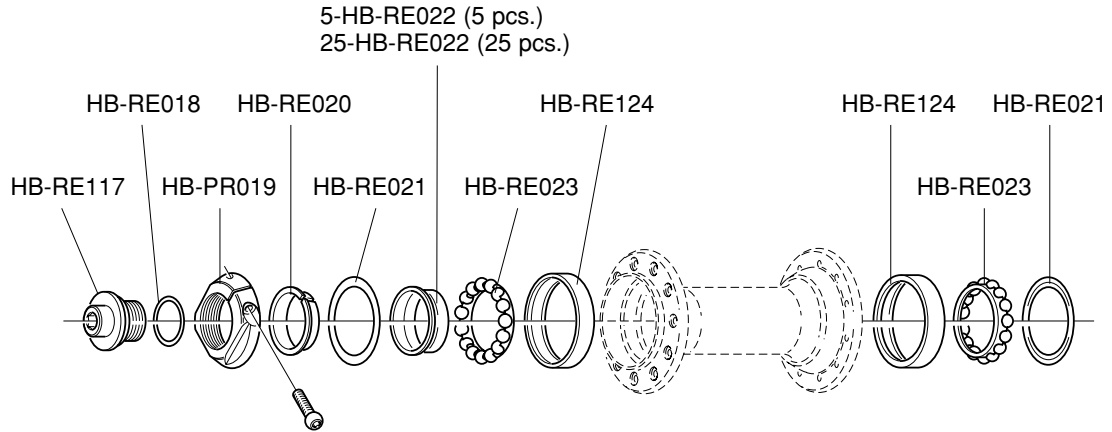
FH-RE114

FH-RE113

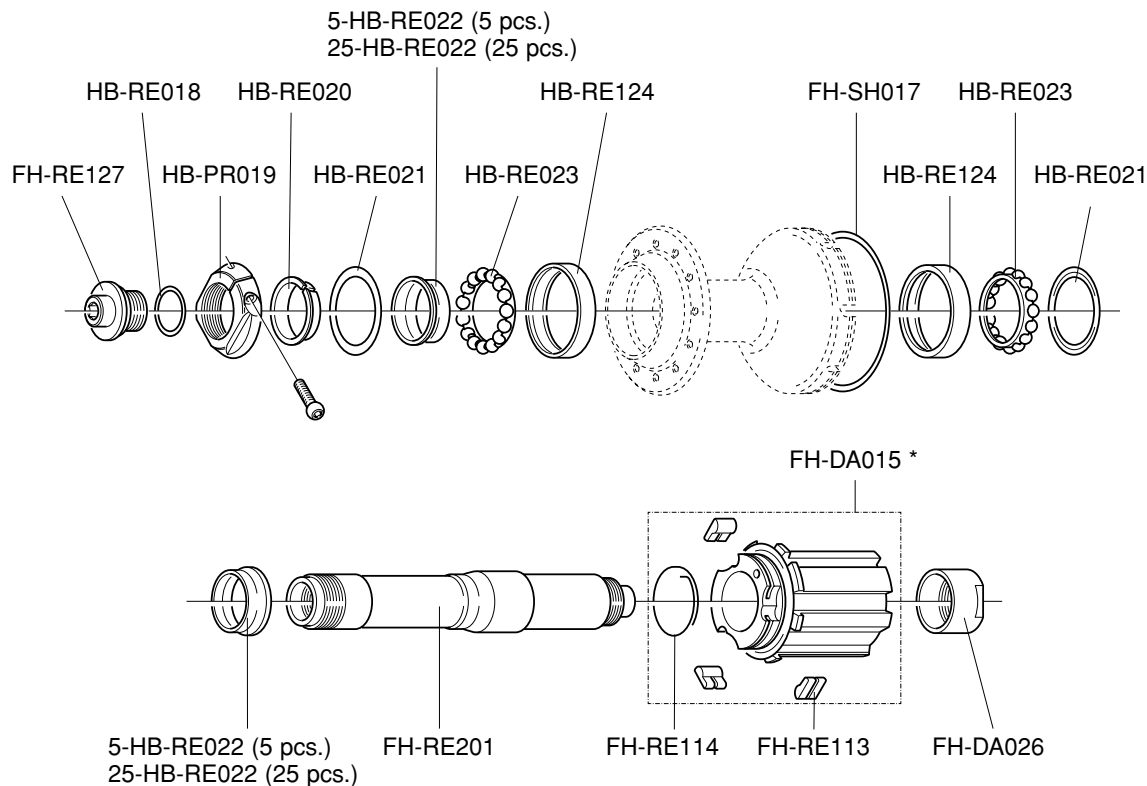
NE/EU/HYP: FH-RE026
ZO: FH-DA026

* HG 8/9 type FW body / corpetto RL tipo HG 8/9: **WH-KX1** (RECORD type) **WH-KX2** (CHORUS type)

MOZZO ANTERIORE *PROTON* FRONT HUB

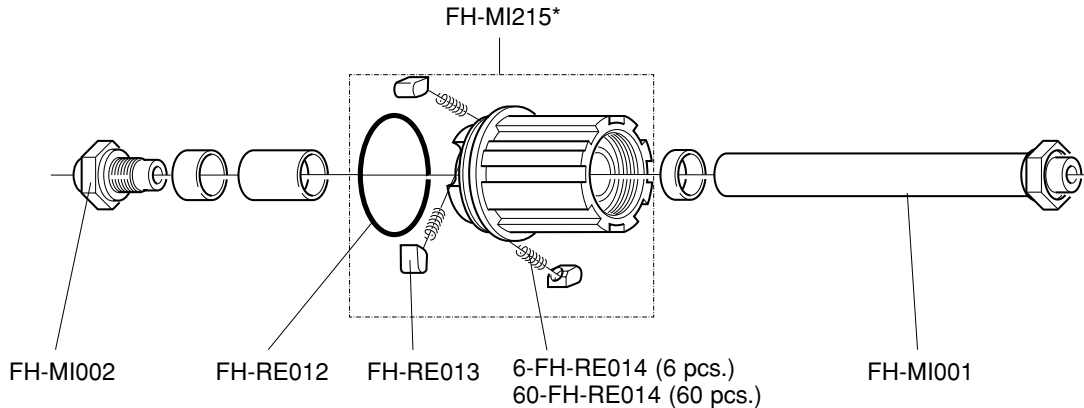
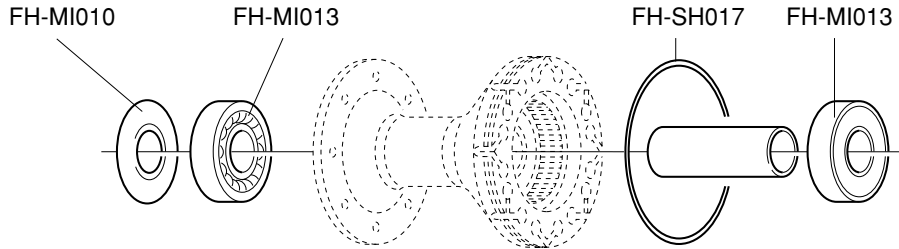
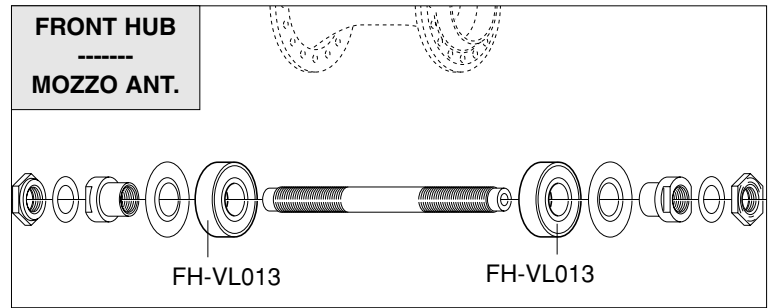


MOZZO POSTERIORE 9s / 10s
PROTON
9s / 10s REAR HUB



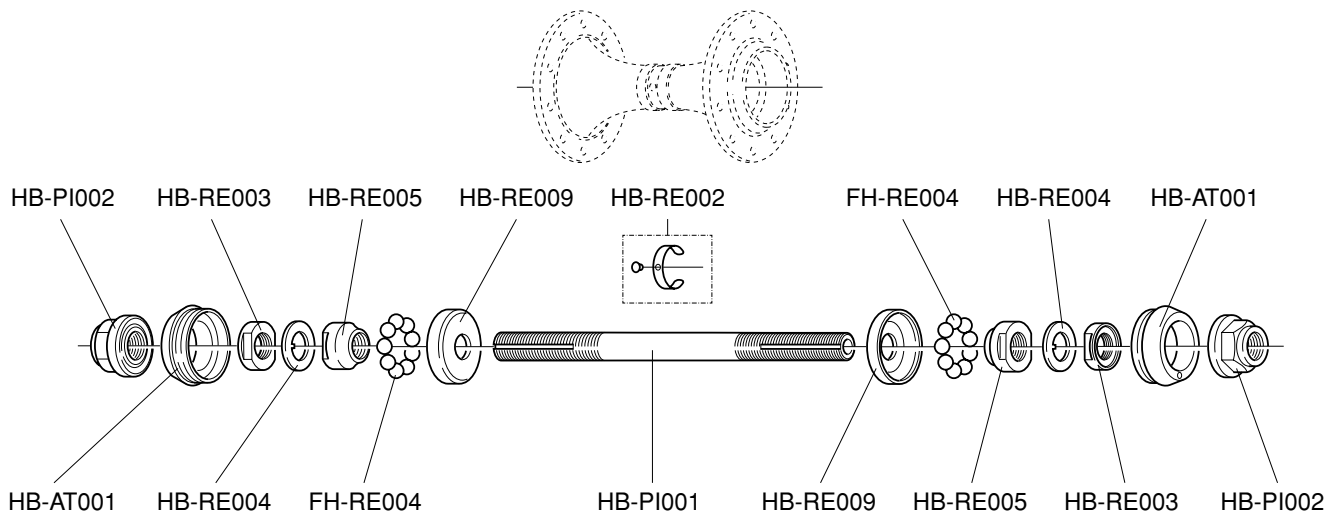
* HG 8/9 type FW body / corpetto RL tipo HG 8/9: **WH-KX1** (RECORD type) **WH-KX2** (CHORUS type)

**MOZZO ANTERIORE
e POSTERIORE
SCIROCCO
FRONT and REAR HUB**

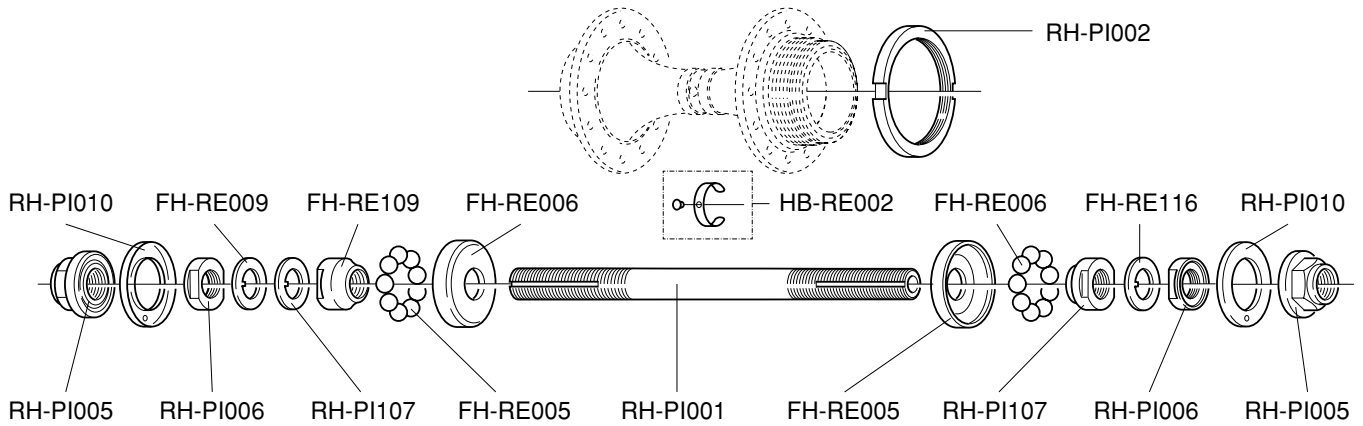


* HG 8/9 type FW body / corpetto RL tipo HG 8/9: **WH-KX3**

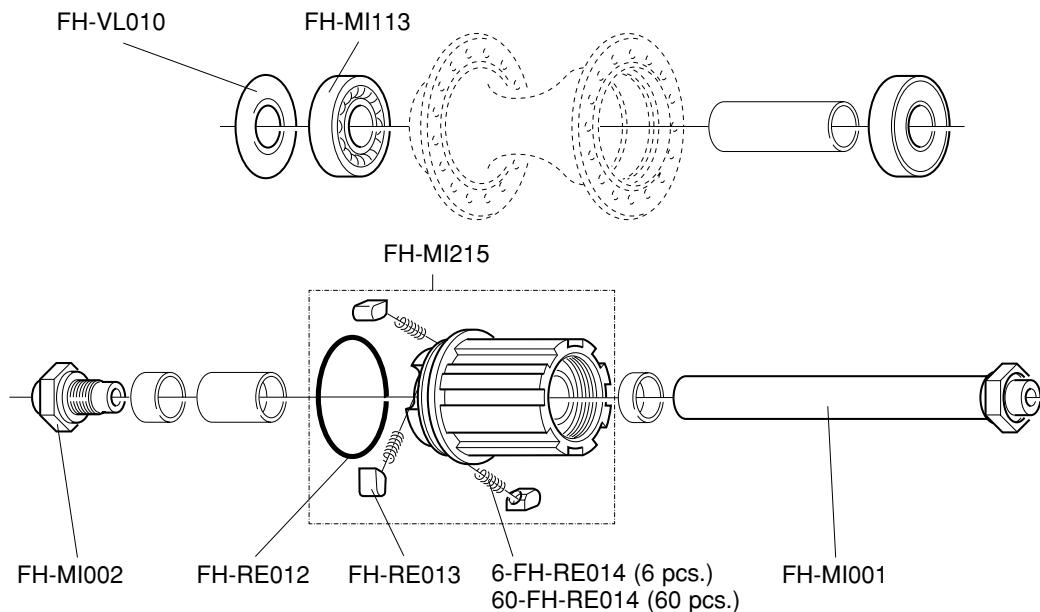
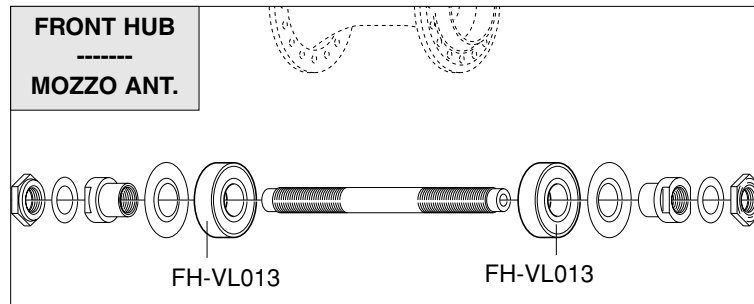
**MOZZO ANTERIORE
PISTA
FRONT HUB**



MOZZO POSTERIORE
PISTA
REAR HUB



**MOZZO ANTERIORE
e POSTERIORE
VENTO
FRONT and REAR HUB**



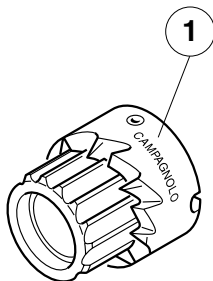
* HG 8/9 type FW body / corpetto RL tipo HG 8/9: **WH-KX3**

Utensili raccomandati reperibili in commercio

Recommended tools, commercially available

- Cacciavite a croce PH 1 (Phillips)
 - Chiave a manico di cacciavite con esagono da 5mm per ruote:
 - Nucleon ed Electron
 - Shamal e Vento (solo da gamma '99 - per gamme precedenti vedi pag. 115)
 - Chiave a brugola da 2,5 mm per registrazione mozzi
 - Chiave a brugola da 3 mm per blocchetti fermaguaine
 - Chiave a brugola da 5 mm per freni, Ergopower, ecc.
 - Chiave dinamometrica con chiave a brugola da 8 mm per montaggio viti pedivelle
 - Chiave fissa da 17 mm per controdado mozzo posteriore
 - Chiave a bussola da 24 mm per utensile fissaggio calotte mov. centrale Daytona/Centaur, Veloce, Mirage (UT-BB100 - pag. 108)
 - Maschio M10 x 1 per ripasso occhiello attacco cambio su forcellini
 - Chiave TORX per viti fissaggio ingranaggi guarniture RECORD e CHORUS CARBON gamma 2004
-
- Phillips type screwdriver
 - 5 mm nut driver for wheels:
 - Nucleon and Electron
 - Shamal and Vento (only from '99 range - for previous versions see page 115)
 - 2.5 mm allen key, for hub lock nut
 - 3 mm allen key, for downtube adjusters
 - 5 mm for brakes, Ergopower levers, etc.
 - Torque wrench fitted with 8 mm allen key
 - 17 mm hexagonal wrench, for rear hub axle nut
 - 24 mm hexagonal wrench for Daytona/Centaur, Veloce, Mirage bottom bracket tool (UT-BB100 on page 108)
 - M10 x 1 tap for recutting rear derailleur hanger thread
 - TORX wrench to fix the chainrings of the RECORD and CHORUS CARBON 2004 range cranksets

HEADSET



Doppia fresa sedi calotte per attrezzo UT-HS090 (Ø 1")

UT-HS093: standard

UT-HS094: con inserti in metallo duro

Double cutter cup seats for tool UT-HS090 (Ø 1")

UT-HS093: standard

UT-HS094: with hard metal inserts

Fraise double pour sièges cuvettes pour outil UT-HS090 (Ø 1")

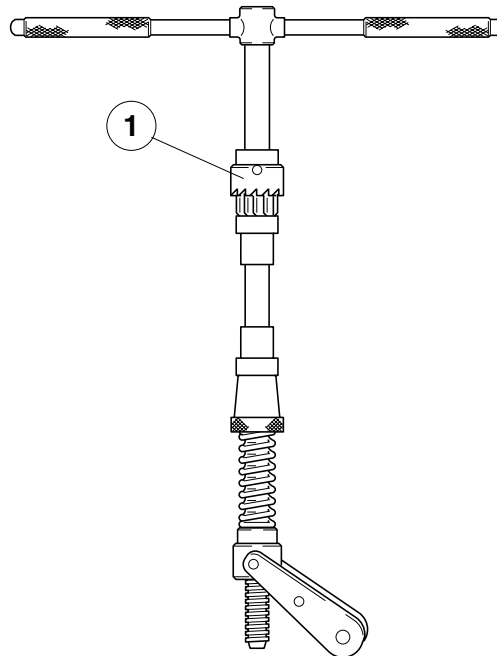
UT-HS093: standard

UT-HS094: avec inserts métal dur

Doppelfräser für Gabelkonus für Werkzeug UT-HS090 (Ø 1")

UT-HS093: Standard

UT-HS094: mit aufgetragenen Hartmetallplättchen



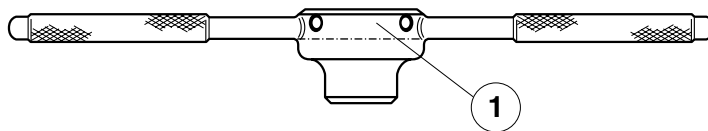
UT-HS090: Attrezzo fresatura tubo sterzo, montaggio calotta inferiore e cono superiore serie sterzo 1" - completo di doppia fresa standard (1)

UT-HS090: Tool for milling steering tube, for fitting bottom cup and top cone 1" headset - with standard double cutter (1)

UT-HS090: Outil pour fraisage tube de direction, montage cuvette inférieure et cône supérieur jeux de directions 1" - avec fraise double standard (1)

UT-HS090: Steuersatz-Fräswerkzeug - mit Standard-Doppelfräser (1) - für 1" Steuerschalensitz

HEADSET



UT-HS020: Attrezzo per ripasso filetto forcelle per sterzi 1", con filiera (1)

UT-HS020: Tool for recutting fork thread for 1" Headsets, with threader (1)

UT-HS020: Outil pour repassage filetage fourche pour jeux de directions 1", avec filière (1)

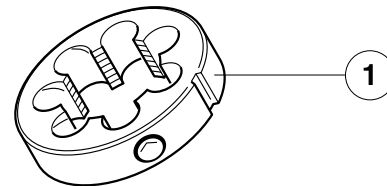
UT-HS020: Werkzeug zum Nachschneiden von Gabelschaftgewinde, mit Gewinde-schneider (1), für Ø 1" Steuersatz

UT-HS021: Filiera per attrezzo ripasso forcella UT-HS020 (1")

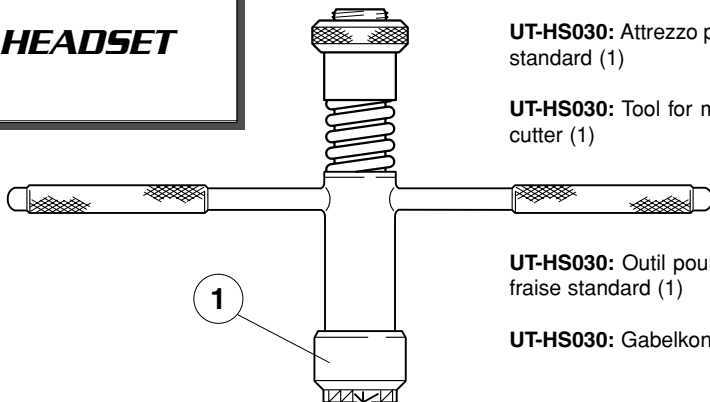
UT-HS021: Cutter for recutting fork thread tool UT-HS020 (1")

UT-HS021: Filière pour outil repassage fourche UT-HS020 (1")

UT-HS021: Gewindeschneider für Werkzeug UT-HS020 (1") zum Nachschneiden für Gabelschaftrohr



HEADSET

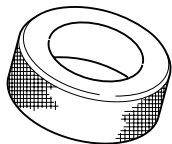


UT-HS030: Attrezzo per fresatura sede cono forcella per serie sterzo 1" con fresa standard (1)

UT-HS030: Tool for milling fork bottom cone seat for 1" headsets with standard cutter (1)

UT-HS030: Outil pour le fraisage siège cône de fourche pour directions 1" avec fraise standard (1)

UT-HS030: Gabelkonus-Fräswerkzeug für 1" Steuersitz mit Standardfräser (1)



UT-HS110: Attrezzo mont. cono forcella, per s. sterzo Hiddenset 1"
UT-HS120: Attrezzo mont. cono forcella, per s. sterzo Hiddenset 1-1/8"

UT-HS110: Tool for installing fork cone, for Ø 1" Hiddenset headset
UT-HS120: Tool for installing fork cone, for Ø 1-1/8" Hiddenset headset

UT-HS110: Outil pour montage cône de fourche, pour jeux de directions Hiddenset 1"
UT-HS120: Outil pour montage cône de fourche, pour jeux de directions Hiddenset 1-1/8"

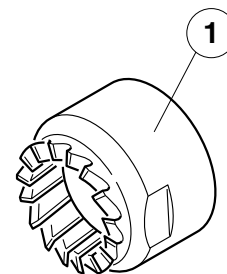
UT-HS110: Werkzeug zur Montage von Gabelkonus, für Ø 1" Hiddenset Steuersatz
UT-HS120: Werkzeug zur Montage von Gabelkonus, für Ø 1-1/8" Hiddenset Steuersatz

Fresa per attrezzo UT-HS030 Ø 1"
UT-HS031: standard
UT-HS032: con inserti in metallo duro

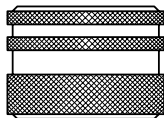
Cutter for tool UT-HS030 Ø 1"
UT-HS031: standard
UT-HS032: with hard metal inserts

Fraise pour outil UT-HS030 Ø 1"
UT-HS031: standard
UT-HS032: avec inserts métal dur

Ø 1" Fräser für UT-HS030 Werkzeug
UT-HS031: Standard
UT-HS032: mit aufgetragenen Hartmetallplättchen



HEADSET

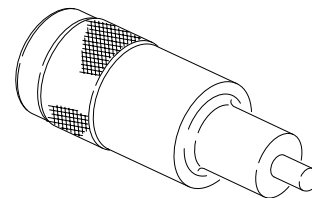


UT-HS080: Calibro controllo sede cono forcelle Ø 26,4 mm

UT-HS080: Gauge for checking fork cone seat 26,4 mm Ø

UT-HS080: Calibre de contrôle siège cône de fourche Ø 26,4 mm

UT-HS080: Kontrolllehre für Gabelkonussitz Ø 26,4 mm



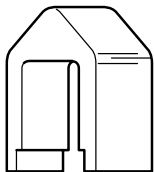
UT-HS100: Attrezzo montaggio serie sterzo Ø 1" per cannotto non filettato

UT-HS100: Tool for installing Ø 1" headset for unthreaded steerers

UT-HS100: Outil pour montage jeu de direction Ø 1" pour tube de fourche non fileté

UT-HS100: Werkzeug zur Ø 1" Steuersatzmontage für gewindelosen Gabelschaft

HEADSET

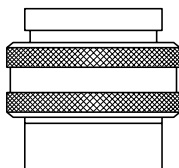


UT-HS060: Estrattore cono forcella serie sterzo

UT-HS060: Headset crown race remover

UT-HS060: Extracteur cône de fourche pour jeux de directions

UT-HS060: Abschläger für Gabelkonus für Steuersatz



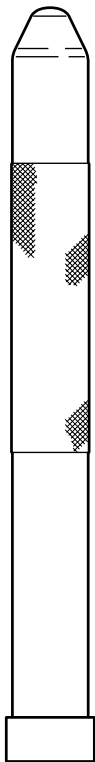
UT-HS070: Calibro controllo sedi coni e calotte sterzi 1"

UT-HS070: Gauge for checking cone and cup seats 1" headsets

UT-HS070: Calibre de contrôle sièges cônes et cuvettes jeux de directions 1"

UT-HS070: Kontrolllehre für Gabelkonus und 1" Steuerschalensitz

HEADSET

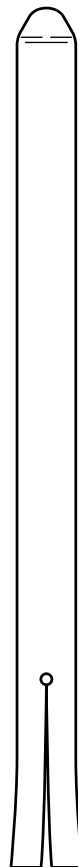


UT-HS040: Punzone per montaggio cono forcella, per serie sterzo Ø 1"

UT-HS040: Punch for installing fork cone, for Ø 1" headset

UT-HS040: Outil pour montage cône de fourche, pour jeux de directions Ø 1"

UT-HS040: Aufschläger für Montage von Gabelkonus, für Ø 1" Steuersatz



UT-HS050: Estrattore calotta inferiore e cono superiore, per serie sterzo Ø 1"

UT-HS050: Extractor for lower headset cup and race, for Ø 1" headset

UT-HS050: Extracteur cuvette inférieure et cône supérieur, pour jeux de directions Ø 1"

UT-HS050: Austreiber für oberen Konus und untere Lagerschale, für Ø 1" Steuersatz

BOTTOM BRACKET

UT-BB045: Maschio filetto italiano (1 pz.)

UT-BB046: Maschio filetto inglese destro (1 pz.)

UT-BB047: Maschio filetto inglese sinistro (1 pz.)

UT-BB045: Tap for Italian thread (1pc.)

UT-BB046: Tap for English thread right-hand (1pc.)

UT-BB047: Tap for English thread left-hand (1pc.)

UT-BB045: Taraud filetage italien (1 pc.)

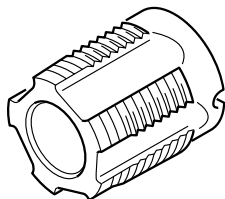
UT-BB046: Taraud filetage anglais droit (1 pc.)

UT-BB047: Taraud filetage anglais gauche (1 pc.)

UT-BB045: ITA Gewindeschneider (1 St.)

UT-BB046: BSA Gewindeschneider rechts (1 St.)

UT-BB047: BSA Gewindeschneider links (1 St.)



Atrezzo per filettatura scatola movimento centrale con 2 maschi

UT-BB040: Filetto italiano

UT-BB041: Filetto inglese

Tool for threading bottom bracket housing with 2 taps

UT-BB040: Italian thread

UT-BB041: English thread

Outil pour le filetage de la boîte de pédalier avec 2 tarauds

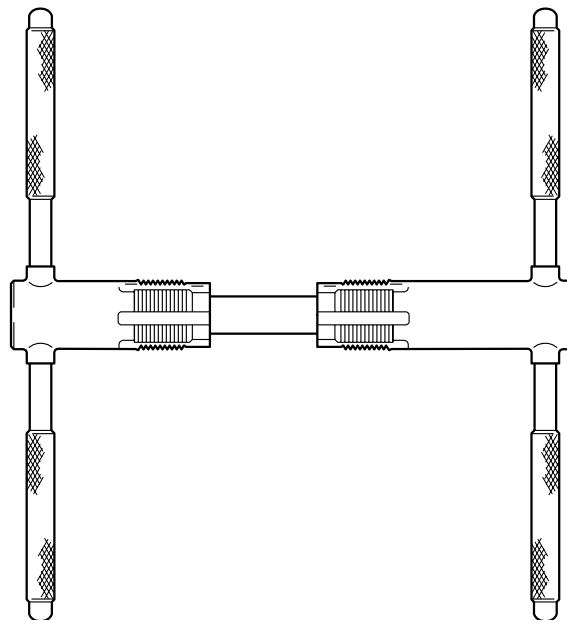
UT-BB040: filetage italien

UT-BB041: filetage anglais

Tretlager-Gewindeschneid-Werkzeug mit 2 Gewindeschneider mit:

UT-BB040: ITA Gewinde

UT-BB041: BSA Gewinde



BOTTOM BRACKET

UT-BB052: 2 manicotti filettati di guida per attrezzo UT-BB050, italiano

UT-BB053: 2 manicotti filettati di guida per attrezzo UT-BB051, inglese

UT-BB052: Inner and outer thread guide for UT-BB050, IT thread

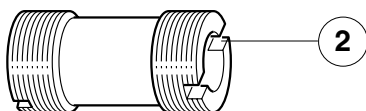
UT-BB053: Inner and outer thread guide for UT-BB051, BSC thread

UT-BB052: 2 manchons filetés de guide pour outils UT-BB050 fil. Italien

UT-BB053: 2 manchons filetés de guide pour outils UT-BB051 fil. anglais

UT-BB052: 2 Gewindemuffen zur Führung Werkzeuge UT-BB050, ITA

UT-BB053: 2 Gewindemuffen zur Führung Werkzeuge UT-BB051, BSA



Fresa per attrezzi UT-BB050 e UT-BB051

UT-BB054: Fresa standard

UT-BB055: Fresa con inserti metallo duro

Cutter for tools UT-BB050 and UT-BB051

UT-BB054: standard cutter

UT-BB055: cutter with hard metal inserts

Attrezzo fresatura piani scatola movimento centrale con fresa standard (1) e 2 manicotti filettati (2)

UT-BB050: Filetto italiano

UT-BB051: Filetto inglese

Bottom bracket facing set with standard cutter (1) and 2 - inner and outer - thread guide (2)

UT-BB050: Italian thread

UT-BB051: English thread

Outil fraisage faces boîte de pédalier avec fraise standard (1) et 2 manchons filetés de guide (2)

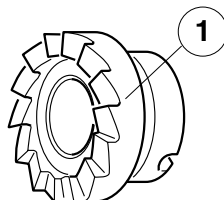
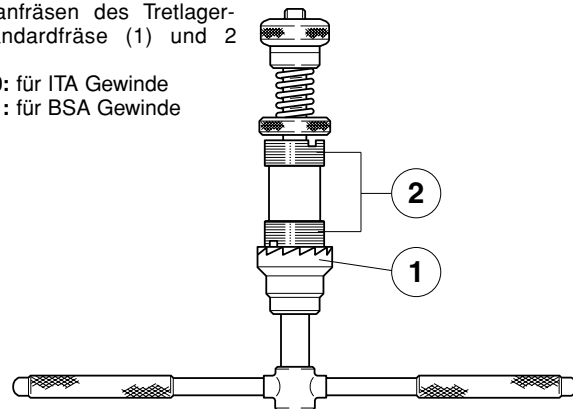
UT-BB050: filetage italien

UT-BB051: filetage anglais

Werkzeug zum Planfräsen des Tretlagergehäuses mit Standardfräse (1) und 2 Gewindemuffen (2)

UT-BB050: für ITA Gewinde

UT-BB051: für BSA Gewinde



Fresa per attrezzi UT-BB050 e UT-BB051

UT-BB054: Fresa standard

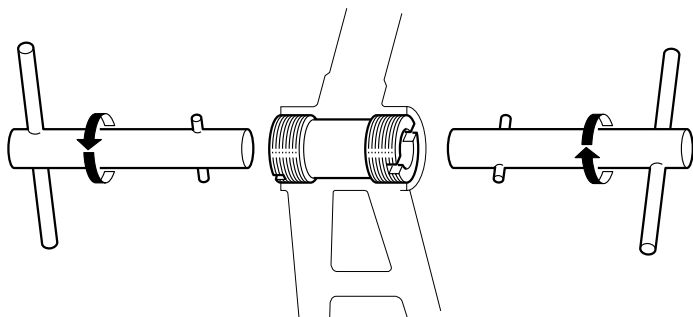
UT-BB055: Fresa con inserti metallo duro

Cutter for tools UT-BB050 and UT-BB051

UT-BB054: standard cutter

UT-BB055: cutter with hard metal inserts

BOTTOM BRACKET



UT-BB060: Chiave per montaggio manicotti attrezzi UT-BB050/UT-BB051 (1 pz.)

UT-BB060: Key for BB-thread guides UT-BB050/UT-BB051 (1 pcs.)

UT-BB060: Clé pour montage guides pour outils UT-BB050/UT-BB051 (1 pcs.)

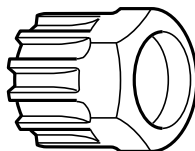
UT-BB060: Rohrschlüssel für Tretlagergewinde-Führungsteile UT-BB050/UT-BB051 (1 Stück)

UT-BB080 (1 pz.) - **10-UT-BB080** (10 pz.): Chiave per montaggio movimenti centrali CART e ghiere di chiusura pacchi pignoni

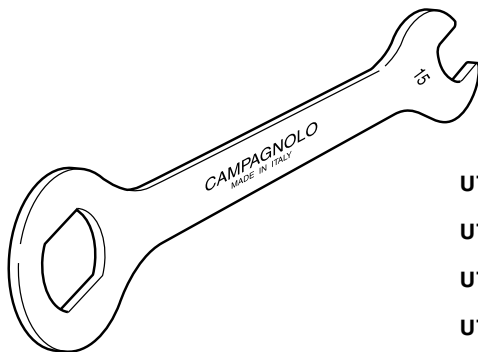
UT-BB080 (1 pc.) - **10-UT-BB080** (10 pcs.): Cartridge bottom bracket and sprocket cassette- lock ring remover

UT-BB080 (1 pc.) - **10-UT-BB080** (10 pcs.): Clé pour montage jeux de pédalier CART et roues-libres à cassette

UT-BB080 (1 St.) - **10-UT-BB080** (10 St.): Schlüssel zur Montage von Patronen-Tretlager und Schließring für Freilaufzahnkranz



BOTTOM BRACKET



UT-BB030: Chiave per calotta destra movimenti centrali e per montaggio pedali

UT-BB030: Spanner for bottom bracket right-hand cup and installing pedals

UT-BB030: Clé pour cuvette droite jeu de pédalier et montage pédales

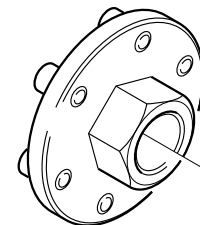
UT-BB030: Schlüssel für rechte Innenlagerschalen und Pedal-Montage

UT-BB100: Utensile per movimenti a cartuccia Daytona/Centaur, Veloce e Mirage

UT-BB100: Tool for Daytona/Centaur, Veloce and Mirage cartridge bottom bracket

UT-BB100: Clé pour jeux de pédalier à cartouche Daytona/Centaur, Veloce et Mirage

UT-BB100: Montageschlüssel für Daytona/Centaur, Veloce und Mirage Patronen-Tretlager



**HEADSET /
BOTTOM
BRACKET**



UT-BB010: Chiave per serie sterzo Ø 1" e calotta sinistra movimento centrale Pista

UT-BB010: Spanner for Ø 1" head sets and Pista bottom bracket left hand cup

UT-BB010: Clé pour direction Ø 1" et cuvette réglable jeu de pédalier Pista

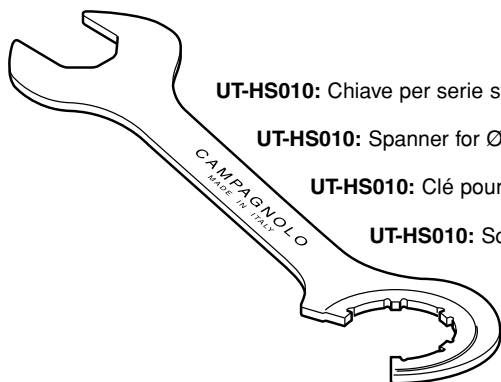
UT-BB010: Schlüssel für Ø 1" Steuersatz und Stiftschlüssel für Pista Tretlagerschale

UT-BB011: Punta per chiave UT-BB010

UT-BB011: Pin for UT-BB010

UT-BB011: Grain pour clé UT-BB010

UT-BB011: Stift für Schlüssel UT-BB010



UT-HS010: Chiave per serie sterzo Ø 1" e contranello movimento centrale Pista

UT-HS010: Spanner for Ø 1" head sets and Pista bottom bracket counter ring

UT-HS010: Clé pour direction Ø 1" et contre-écrou du jeu de pédalier Pista

UT-HS010: Schlüssel für Ø 1" Steuersatz und Pista Tretlager-Konterring

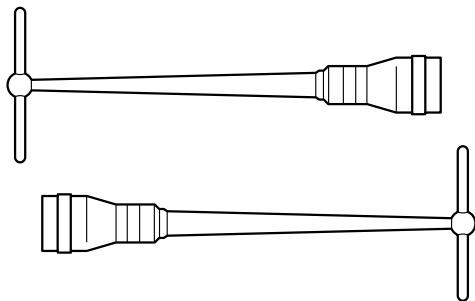
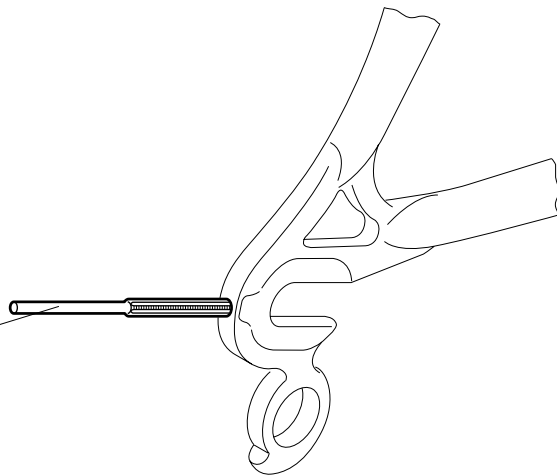
FRAME PREPARATION

UT-VS060: Maschio M3 x 0,5 per ripasso filetti forcellini per viti registrazione

UT-VS060: M3 x 0,5 tap for recutting rear drop-out threads for setting screws

UT-VS060: Taraud M3 x 0,5 pour repassage filetage pattes de cadre pour vis de réglage

UT-VS060: M3 x 0,5 Gewindebohrer zum Nachschneiden von Stellschraubengewinde im Ausfallende



UT-VS120: Calibro per controllo allineamento forcellini e punte forcelle (2 pz.)

UT-VS120: Drop-out alignment set (2 pcs.)

UT-VS120: Calibre pour contrôle alignement pattes de cadres et pattes de fourches (2 pcs.)

UT-VS120: Werkzeug zum Ausrichten von Gabel- und Ausfallenden (2 St.)

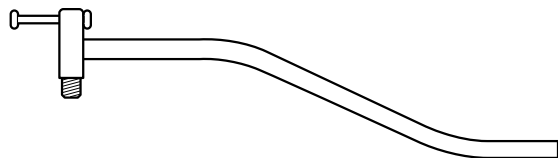
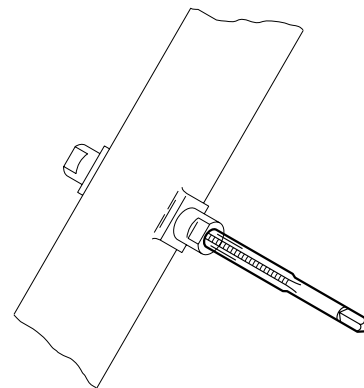
FRAME PREPARATION

UT-VS050: Maschio M5 x 0,8 per ripasso filetti attacchi quadri comandi e attacchi borracce

UT-VS050: M5 x 0,8 tap for recutting shifting lever- and bottle cage threads

UT-VS050: Taraud M5 x 0,8 pour repassage filetage plots de manettes et attaches bidons

UT-VS050: M5 x 0,8 Gewindebohrer zum Nachschneiden der Gewinde für Schalthebel und Trinkflaschenhalter



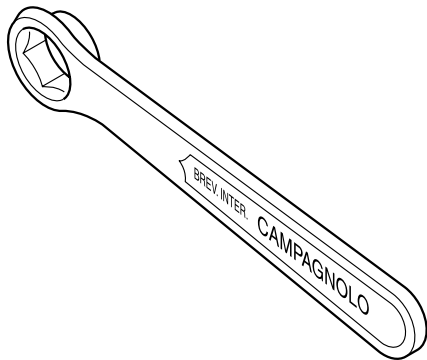
UT-VS030: Riscontro allineamento occhiello attacco cambio

UT-VS030: Rear derailleur hanger alignment tool

UT-VS030: Calibre de contrôle attache de dérailleur arrière

UT-VS030: Richtwerkzeug zur Kontrolle von Ausfallende mit Schaltauge

CRANKS / CHAINRINGS



UT-FC050: Chiave con esagono da 15 mm per estrattore pedivelle

UT-FC050: 15 mm crank bolt spanner

UT-FC050: Clé avec hexagone de 15 mm pour extracteur manivelles

UT-FC050: 15 mm Schlüssel für Tretkurbelabzieher

UT-FC060: Estrattore pedivelle standard

UT-FC070: Estrattore pedivelle con filetto a sinistra

UT-FC060: Extractor for standard cranks

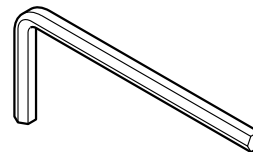
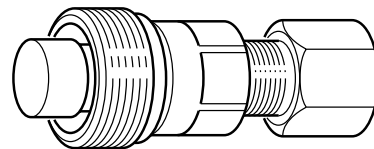
UT-FC070: Extractor for cranks with l.h. thread

UT-FC060: Extracteur manivelles standards

UT-FC070: Extracteur manivelles avec filetage à gauche

UT-FC060: Standard - Tretkurbelabzieher

UT-FC070: Tretkurbelabzieher mit Linksgewinde



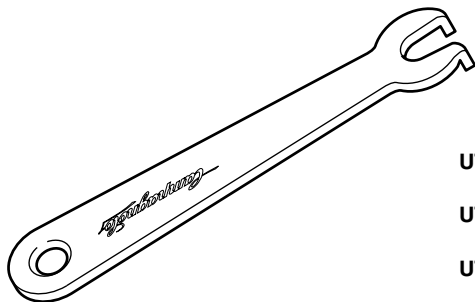
UT-FC030: Chiave a brugola da 5 mm

UT-FC030: 5 mm allen key

UT-FC030: Clé à pans creux de 5 mm

UT-FC030: 5 mm L-Schlüssel

**CRANKS /
CHAINRINGS /
BRAKES**

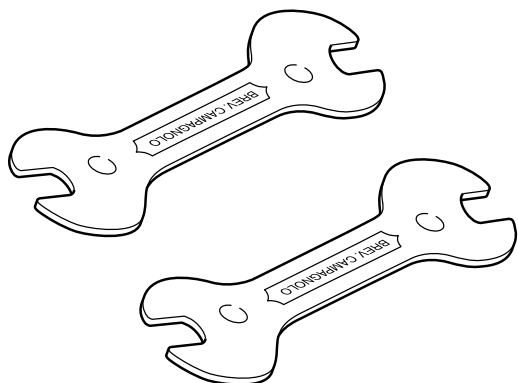


UT-FC040: Chiave per dadi fissaggio ingranaggi

UT-FC040: Spanner for chainring retaining nuts

UT-FC040: Clé pour écrous de fixation plateaux de pédaliers

UT-FC040: Schlüssel zur Befestigung von Kettenblattbolzen



UT-BR010: Coppia chiavi 13-14 per registrazione freni e coni mozzi

UT-BR010: Pair of 13-14 mm spanners for adjusting brakes and hub cones

UT-BR010: Paire clés 13-14 pour réglage freins et cônes de moyeux

UT-BR010: 13-14 mm Schlüssel (2 Stücke) zum Einstellen von Bremsen und Nabelkonusen

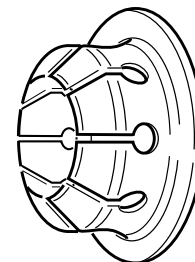
HUBS & WHEELS

UT-HU090: Attrezzo per montaggio cricchetti ruota libera su mozzi standard e HPW

UT-HU090: freewheel-pawl assembling tool (standard and HPW-hubs)

UT-HU090: Outil pour montage cliquets de roue-libre sur moyeux standard et HPW

UT-HU090: Werkzeug zur Montage der Kassettenkörper-Sperrklinken (Standard- und HPW-Nabe)

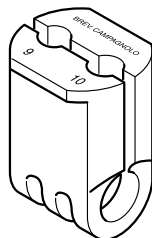


UT-HU020: Pinza per perni filettati mozzi

UT-HU020: Hub axle vise

UT-HU020: Pince pour axes filetés de moyeux

UT-HU020: Klemmvorrichtung für Naben-Achsgewinde

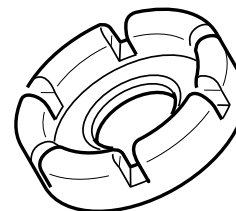


UT-HU050: Tiraraggi

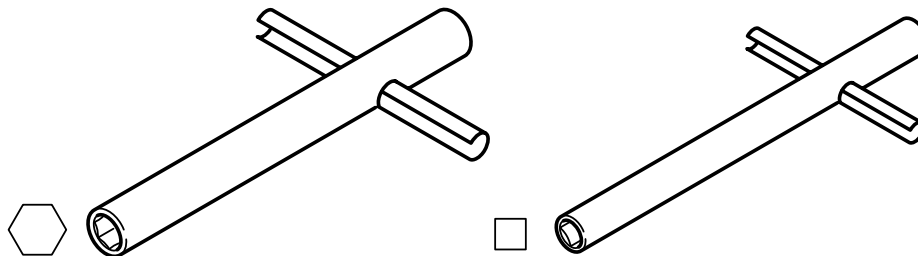
UT-HU050: Spoke wrench

UT-HU050: Clé à rayons

UT-HU050: Speichenschlüssel



HUBS & WHEELS



UT-HU070: Chiave per raggi ruote Shamal, Vento e Zonda (fino a gamma '98 - per gamma '99 e successive vedi pag. 98)

UT-HU070: Shamal, Vento and Zonda wheel truing tool (till '98 range - from '99 range see page 98)

UT-HU070: Clé à rayons pour roues Shamal, Vento et Zonda (jusqu'à la gamme '98 - pour la gamme '99 et suivantes v. page 98)

UT-HU070: Nippelspanner für Shamal, Vento und Zonda (bis '98 Produktlinie - ab '99 Produktlinie siehe S. 98)

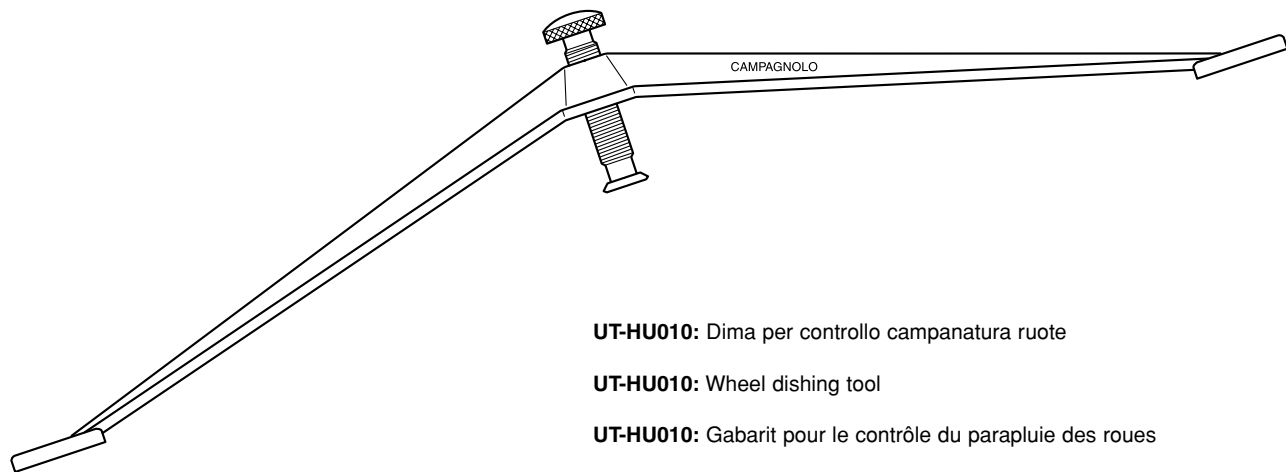
UT-HU060: Chiave per raggi ruote Bora

UT-HU060: Bora wheel truing tool

UT-HU060: Clé à rayons pour roues Bora

UT-HU060: Vierkant-Nippelspanner für Bora

**HUBS &
WHEELS**



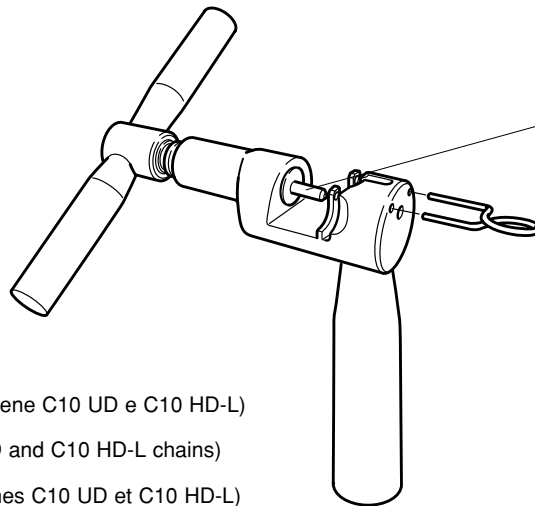
UT-HU010: Dima per controllo campanatura ruote

UT-HU010: Wheel dishing tool

UT-HU010: Gabarit pour le contrôle du parapluie des roues

UT-HU010: Zentrierbügel

SPROCKETS / CHAIN



UT-CN201: Spintore per UT-CN200

UT-CN201: Pusher for UT-CN200

UT-CN201: Poinçon pour UT-CN200

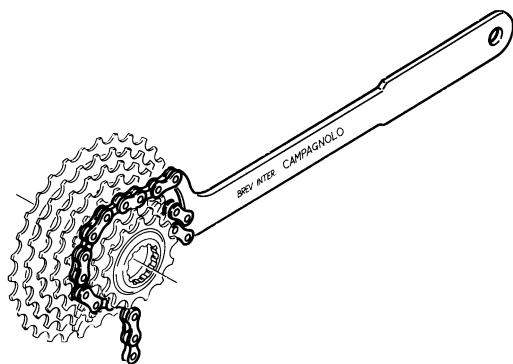
UT-CN201: Schieber für UT-CN200

UT-CN200: Utensile per **HD-Link** (catene C10 UD e C10 HD-L)

UT-CN200: Tool for **HD-Link** (C10 UD and C10 HD-L chains)

UT-CN200: Outil pour **HD-Link** (chaînes C10 UD et C10 HD-L)

UT-CN200: Werkzeug für **HD-Link** (C10 UD und C10 HD-L Ketten)



UT-CS060: Chiave con catena 10s per smontaggio pignoni 10s, 9s e 8s

UT-CS060: Spanner with 10s chain for 10, 9 and 8s sprockets

UT-CS060: Fouet à chaîne 10s pour pignons 10s, 9s et 8s

UT-CS060: Zahnkranzabnehmer mit Rennkette 10s für 10-, 9- und 8s Ritzeln

ITALY - Central Service Center**CAMPAGNOLO SRL HEADQUARTERS**

Via della Chimica, 4 - 36100 VICENZA
 Phone: +39-0-444-225605
 Fax: +39-0-444-225400
 E-mail: service@campagnolo.com

AUSTRALIA**BIKE SPORTZ IMPORTS PTY LTD**

23c-23d Industrial Drive,
 Braeside, Victoria 3195 NSW
 Phone: +61-3-95861600
 Fax: +61-3-98576951

CYCLING PROJECTS

80 King Street,
 NSW 2193 Ashbury
 Phone: +61-2-97992407
 Fax: +61-2-97879940

AUSTRIA**CAMPAGNOLO DEUTSCHLAND GMBH**

An der Schusterinsel, 15
 51379 LEVERKUSEN - DEUTSCHLAND
 Phone: +49-2171-724320
 Fax: +49-2171-724315

BENELUX**CARD BENELUX BV**

Vaartveld 19 - 4704 SE ROOSENDAAL
 Netherlands
 Phone: +31-165-564241
 Fax: +31-165-563248

BENELUX (continued)**FA. WOUT VERHOEVEN**

Rodenrijseweg 409 -
 2651 AM BERKEL EN RODENRIJS - Netherlands
 Phone: +31-10-5115014
 Fax: +31-10-5117708

I.C.C. - INTERNATIONAL CYCLE CONNECTION

Weststraat 42 - P.O. Box 73
 4527 ZH AARDENBURG - Netherlands
 Phone: +31-117-492820
 Fax: +31-117-492835

CANADA**CYCLES MARINONI INC**

1067, Levis - LACHENAIE - QUEBEC J6W 4L2
 Phone: +1-450-4717133
 Fax: +1-450-4719887

GREAT WESTERN BICYCLE CO. LTD.

233 West Broadway
 VANCOUVER BC V5Y 1P5
 Phone: +1-604-8722424
 Fax: +1-604-87202226

CZECH REPUBLIC**KOLA SIRER**

P.O. Box 107 - 26601 BEROUN 1
 Phone: 00420-311-621355
 Fax: 00420-311-625492

DENMARK**MARKER SCANDINAVIA**

Industrivej 1D - DK-4000
 Roskilde - DENMARK
 Phone: +45-70228075
 Fax: +45-46498088

FINLAND**MARKER SCANDINAVIA**

Industrivej 1D - DK-4000
 Roskilde - DENMARK
 Phone: +45-70228075
 Fax: +45-46498088

VELOSPORT KY

Mäkelänkatu, 95 - 00610 HELSINKI P
 Phone: +358-9-7571377
 Fax: +358-9-795498

FRANCE**CAMPAGNOLO FRANCE**

42160 ANDREZIEUX - BOUTHEON CEDEX
 Phone: +33-477-556305
 Fax: +33-477-556345

GERMANY**CAMPAGNOLO DEUTSCHLAND GMBH**

An der Schusterinsel, 15
 51379 LEVERKUSEN
 Phone: +49-2171-724320
 Fax: +49-2171-724315

GREECE**CYCLES FIDUSA**

Th. Sofuli 97 - 85100 RHODOS
 Phone: +30-241-021264
 Fax: +30-241-021519

JAPAN**KAWASHIMA CYCLE SUPPLY CO.**

No. 3-3-16 Kitasho-cho, Sakai,
 Osaka, 590-0007
 Phone: +81-722-38-6126
 Fax: +81-722-21-4379

JAPAN (continued)

NICHINAO SHOKAI CO., LTD

6-16-8, Sotokanda, Chiyodaku - TOKYO 101

Phone: +81-3-38326251

Fax: +81-3-38326266

NEW ZEALAND

WH WORRALL CO. LTD.

43 Felix St./Penrose - P.O. Box 12481

AUCKLAND

Phone: +64-9-6360641

Fax: +64-9-6360631

NORWAY

MARKER SCANDINAVIA

Industrivej 1D - DK-4000

Roskilde - DENMARK

Phone: +45-70228075

Fax: +45-46498088

SOUTH AFRICA

CYCLING J&J (PTY) LTD

169 Meerlust Street - Willow Glen

PRETORIA

Phone: +27-012-8075570

Fax: +27-012-8074267

SPAIN

CAMPAGNOLO IBERICA S.L.

Avda. de Los Huetos 46 Pab. 31 - 01010

VITORIA

Phone: +34-945-217195

Fax: +34-945-217198

SWEDEN

MARKER SCANDINAVIA

Industrivej 1D - DK-4000

Roskilde - DENMARK

Phone: +45-70228075

Fax: +45-46498088

RACERDEPAN

Odengatan, 38 - 52141 FALKÖPING

Phone: +46-515711430

Fax: +46-51559430

SWITZERLAND

PIERO ZURINO AG

Flawilerstrasse 3a

9500 WIL SG

Phone: +41-71-9236001

Fax: +41-71-9236353

U.G.D. SPORT DIFFUSION S.A.

La Taille - 2053 CERNIER

Phone: +41-32-8536363

Fax: +41-32-8536464

UNITED KINGDOM

ITALIAN CYCLE PRODUCTS LIMITED

Unit 3, Napoleon Business Park

Wheterby Road - DERBY - DE24 8HL

Phone: +44-01332-371176

Fax: +44-01332-371179

UNITED STATES

CAMPAGNOLO USA INC.

2105-L Camino Vida Roble

CARLSBAD - CA 92009

Phone: +1-760-9310106

Fax: +1-760-9310991

OCHSNER INT. INC

246 E. Marquardt Drive - WHEELING

IL 60090-6430

Phone: +1-847-4658200

Fax: +1-847-4658282

QUALITY BICYCLES PRODUCTS

6400 W. 105th Street - BLOOMINGTON,

MN 55438-2554

Phone: +1-952-941-9391

Fax: +1-952-941-9799

Avviso Importante su PRESTAZIONI, SICUREZZA E GARANZIA

I componenti delle trasmissioni 9s e 10s, gli impianti frenanti, e la maggior parte dei componenti Campagnolo®, sono progettati come un unico sistema integrato. Per non compromettere la SICUREZZA, le PRESTAZIONI, la LONGEVITA', la FUNZIONALITA' e per non invalidare la GARANZIA, vi raccomandiamo di utilizzare **esclusivamente** i componenti specificati dalla Campagnolo Srl, senza interfacciarli o sostituirli con prodotti fabbricati da altre aziende.

Important PERFORMANCE, SAFETY and WARRANTY Notice

The components of the 9s and 10s drivetrains, the braking systems, and most Campagnolo® components, are designed as a single integrated system. To avoid compromises in terms of SAFETY, PERFORMANCE, DURABILITY, FUNCTION, and to prevent voiding the WARRANTY, we recommend that you **only** use the components specified by Campagnolo Srl, without interfacing them with or substituting them with products manufactured by other companies.

Notice important sur PERFORMANCES, SECURITE ET GARANTIE

Les composants des transmissions 9s et 10s, les freins et la plus part des composants Campagnolo®, sont projetés come un seul système intégré. Pour ne pas compromettre la SECURITE, les PERFORMANCES, la LONGEVITE, la FONCTIONNALITE et pour ne pas invalider la GARANTIE, on vous recommande **de n'utiliser que** les composants spécifiés par Campagnolo Srl, sans les relier avec ou les remplacer par des produits fabriqués par d'autres sociétés.

Wichtiger Hinweis zu PRODUKTLEISTUNG, SICHERHEIT und GARANTIE

Die Komponenten der 9s und 10s Antriebssysteme, des Bremssystems, sowie Großteil der von Campagnolo® hergestellten Komponenten, wurden als Bestandteile eines integrierten Systems entwickelt. Um die SICHERHEIT, die LEISTUNG, die DAUER, die FUNKTIONSTÜCHTIGKEIT und die GARANTIE nicht zu beeinträchtigen, empfehlen wir den **ausschließlichen** Gebrauch der von Campagnolo Srl spezifizierten Bestandteile und diese nicht mit Produkten anderer Hersteller zu ersetzen oder zu kombinieren.

Avviso Importante sobre PRESTACIONES, SEGURIDAD Y GARANTÍA.

Los componentes de las transmisiones 9s y 10s, los sistemas de frenado, y la mayor parte de componentes Campagnolo®, han sido ideados como un único sistema integrado. Con el fin de no comprometer la SEGURIDAD, las PRESTACIONES, la LONGEVIDAD, la FUNCIONALIDAD y no invalidar la GARANTÍA, os aconsejamos utilizar **exclusivamente** los componentes especificados por Campagnolo Srl, sin combinarlos o sustituirlos con productos fabricados por otras empresas.

Campagnolo, Campy, Record, Chorus, EPS, Centaur, Centaur Century Grey, Veloce, Mirage, Xenon, Hyperon, Hyperon Ultra, Neutron, Proton, Eurus, Zonda, Scirocco, Bora, Ghibli, Vento, Pista, Ergobrain, Ergobrain10, Superlative, Ultra, Floating-Link-Action, HD-Link, HD-L, Exa-Drive, Ultra-Drive, Pro-Fit, Pro-Fit PLUS, Differential brakes, Threadless, Hiddenset, Hiddenset TTC, TTC, Ergopower, BB System, C10, C9, ED, UD, HPW, G3, Ultralinear-Geometry, Ultralinear, Differential rims, Differential spokes, Asymmetric, AC-H, AC-S, SC-S, Pro-Shop, Tecnologia ed Emozione are Campagnolo Srl Trademarks.



CAMPAGNOLO IN THE WORLD

ITALY

CAMPAGNOLO S.R.L.

Via della Chimica, 4 • 36100 Vicenza • ITALY

Phone: +39-0444-225500 • Fax: +39-0444-225400

FRANCE

CAMPAGNOLO FRANCE SARL

Rue Jean Autelin • B.P. 148 • 42160 Andrézieux • Bouthéon

Cedex • FRANCE

Phone: +33-477-556305 • Fax: +33-477-556345

GERMANY

CAMPAGNOLO DEUTSCHLAND GMBH

An der Schusterinsel 15 • 51379 Leverkusen • GERMANY

Phone: +49-2171-72430 • Fax: +49-2171-724315

SPAIN

CAMPAGNOLO IBERICA S.L.

Avda. de Los Huetos 46 Pab. 31 • 01010 Vitoria • SPAIN

Phone: +34-945-217195 • Fax: +34-945-217198

UNITED STATES

CAMPAGNOLO USA INC.

2105-L Camino Vida Roble • Carlsbad CA 92009 • U.S.A.

Phone: +1-760-9310106 • Fax: +1-760-9310991

SERVICE AND TECHNICAL INFORMATION:

ITALY (CENTRAL)

Technical Information: Phone: +39-0444-225600 •

Fax: +39-0444-225400

Service Center: Phone: +39-0444-225605 •

Fax: +39-0444-225400

FRANCE

Phone: +33-477-554449 • Fax: +33-477-556345

GERMANY

Phone: +49-2171-724320 • Fax: +49-2171-724315

SPAIN

Phone: +34-945-217195 • Fax: +34-945-217198

U.S.A.

Phone: +1-760-9310106 • Fax: +1-760-9310991

AGENCIES

AUSTRALIA

CYCLING PROJECTS

80 King Street • NSW 2193 Ashbury • AUSTRALIA •

Tel. +61-2-97992407 • Fax +61-2-97879940

BENELUX

INTERNATIONAL CYCLE CONNECTION • I.C.C. • Weststraat 42

P.O. Box 73 • 4527 ZH Aardenburg • NEDERLAND •

Tel. +31-11-7492820 • Fax +31-11-7492835

BULGARIA • CZECH REPUBLIC • POLAND • RUMANIA SLOVAKIAN REPUBLIC • SLOVENIA • HUNGARY

FIRMA GALLIZIA

10. Oktoberstraße 7 • 9800 Spittal/Drau • AUSTRIA •

Tel. +43-4762/2275 • Fax +43-4762/2275

DENMARK • SWEDEN • NORWAY • FINLAND

MARKER SCANDINAVIA

Industrivej 1D • DK-4000 ROSKILDE • DENMARK •

Tel.: +45-70228075 • Fax: +45-46498088

RUSSIA

VLADISLAV BOBRIK

Mob.: 335 7847758 and 339 1814329 - E-mail: bobrik@libero.it

SOUTH AMERICA AND MEXICO

GEORGE PANARA

Sao Paulo - BRASIL - Tel.: +55 11 4436 9123 - Fax: +55 11 4436 12 13

TAIWAN • MAINLAND CHINA • VIETNAM

COLMAX INTERNATIONAL LTD

2F, No.23 Lane 229 • Kuang Hwa Street • Tainan • TAIWAN

Tel. +886-6-2361683 • Fax +886-6-2361681

UNITED KINGDOM

SELECT CYCLE COMPONENTS

Unit 3, Napoleon Business Park • Wheterby Road • DERBY • DE24 8HL

Tel. +44-0780260628 • Fax +44-1949-829039