

*Campagnolo*<sup>®</sup>

**2003**

**SPARE PARTS**

**&**

**TOOLS CATALOGUE**

## SERIE STERZO • HEADSET • STEUERSATZ • JEU DE DIRECTION

Record .....	1
Record Threadless 1" - 1-1/8" .....	1
Record Hiddenset 1" - 1-1/8" - 1-1/8" TTC .....	2
Chorus .....	3
Chorus Threadless .....	3
Chorus Hiddenset 1-1/8" - 1-1/8" TTC .....	4

## REGGISELLA • SEAT POST • SATTELSTÜTZE • TIGE DE SELLE

Record Carbon .....	5
Chorus Titanium .....	5
Centaur .....	5

## MOVIMENTO CENTRALE • BOTTOM BRACKET • INNENLAGER • JEU DE PEDALIER

Record .....	6
Chorus .....	6
Record Pista .....	6
AC-H .....	7
AC-S .....	7

## GUARNITURA • CRANKSET • KETTENRADGARNITUR • PEDALIER

Record .....	8
Record Carbon .....	9
Record Triple .....	10
Record Pista .....	11
Chorus .....	12
Centaur .....	13
Centaur Triple .....	14
Veloce .....	15
Veloce Triple .....	16
Mirage / Xenon .....	17
Mirage Triple / Xenon Triple .....	18
Chrono / Triathlon .....	19

**CAMBIO • REAR DERAILLEUR • SCHALTUNG • DERAILLEUR ARRIERE**

Record .....	20
Chorus .....	21
Centaur .....	22
Veloce .....	23
Mirage .....	24
Xenon .....	25

**DERAGLIATORE • FRONT DERAILLEUR • UMWERFER • DERAILLEUR AVANT**

Record .....	26
Chorus .....	26
Record Triple .....	27
Centaur .....	28
Centaur Triple .....	29
Veloce .....	29
Mirage .....	30
Xenon .....	31

**ERGOPOWER**

Record .....	32
Chorus .....	33
Centaur .....	34
Veloce .....	35
Mirage .....	36
Xenon .....	37
Ergopowers / rear derailleurs cross compatibility .....	38

**FRENI • BRAKES • BREMSSEN • FREINS**

Record-D .....	40
Chorus-D .....	41
Centaur .....	42
Veloce .....	43
Mirage .....	44
Xenon .....	45

**BAR-END**

Bar-End Chrono/Triathlon .....	46
--------------------------------	----

## COMANDI FRENO • BRAKE LEVERS • BREMSHEBEL • POIGNEES DE FREINS

Record Carbon ..... 47

### BLOCCAGGI • QUICK RELEASES • SCHNELLSPANNER • BLOCAGES

Record - Bora - Eurus - Ghibli - Hyperon - Neutron ..... 48

Chorus ..... 48

Centaur - Proton - Zonda - Veloce - Scirocco ..... 49

### MOZZI • HUBS • NABEN • MOYEUX

Record / Chorus / Centaur front hub ..... 50

Record - Chorus - Centaur rear hub ..... 51

Veloce / Mirage / Xenon front and rear hub ..... 52

Record Pista front and rear hub ..... 53

### GHIERE • LOCKRINGS • VERSCHLUSSRING • ECROUS

Complete range ..... 55

### PIGNONI • SPROCKETS • RITZEL • CASSETTES

Record UD 10s ..... 56

Record UD 10s Titanium ..... 57

Chorus UD 10s ..... 58

Centaur UD 10s ..... 59

Veloce UD 9s (Mirage UD 9s compatible) ..... 60

### PEDALI • PEDALS • PEDALE • PEDALES

Record Pro-Fit PLUS ..... 61

Chorus Pro-Fit PLUS ..... 61

Centaur Pro-Fit PLUS ..... 61

Other spares ..... 62

### CAVI E GUAINA • CABLES AND CASINGS • KABEL UND HÜLLEN • CABLES ET GAINES

Complete sets ..... 64

Single parts ..... 65

### ERGOBRAIN

Parts ..... 66

**VARI • VARIOUS • VERSCHIEDENES • DIVERSES**

Ergopower blocks / 8s adapter kit for 9/10s / HD-Link for C10 UD and C-10 HD-L chains / Chain lubricant . . . . .	68
Blister-packed spare parts . . . . .	69

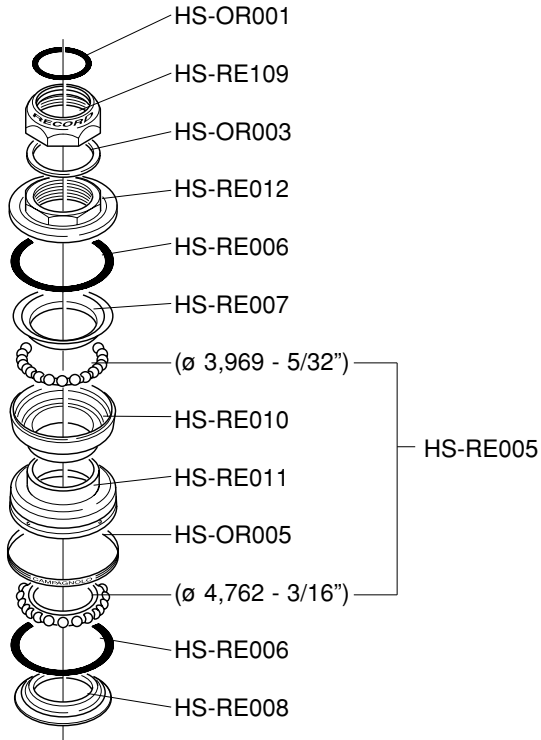
**RUOTE • WHEELS • LAUFRÄDER • ROUES**

Bora 9s / 10s . . . . .	70
Eurus 9s / 10s . . . . .	71
Hyperon 9s / 10s . . . . .	72
Neutron 9s / 10s . . . . .	73
Pista . . . . .	74
Proton 9s / 10s . . . . .	75
Scirocco 9s / 10s . . . . .	76
Zonda 9s / 10s . . . . .	76
Hyperon front hub . . . . .	78
Hyperon rear hub . . . . .	79
Bora / Neutron / Eurus front hub . . . . .	80
Bora / Neutron / Eurus rear hub . . . . .	81
Proton / Zonda front hub . . . . .	82
Proton / Zonda rear hub . . . . .	83
Scirocco front hub . . . . .	84
Scirocco rear hub . . . . .	85
Pista front hub . . . . .	86
Pista rear hub . . . . .	87

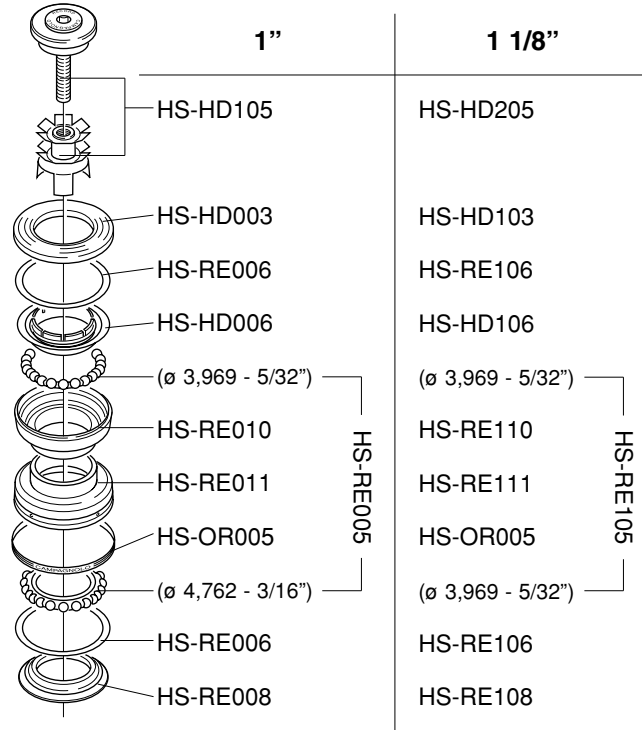
**UTENSILI • TOOLS • WERKZEUGE • OUTILS**

Headset . . . . .	88
Bottom bracket . . . . .	93
Frame preparation . . . . .	98
Cranks / chainrings . . . . .	100
Hubs & wheels . . . . .	102
Sprockets / chains . . . . .	105
Recommended tools . . . . .	106
Service Centers . . . . .	107

**RECORD  
HS00-RE**



**RECORD THREADLESS  
1": HS00-RETH  
1 1/8": HS00-RETHOS**

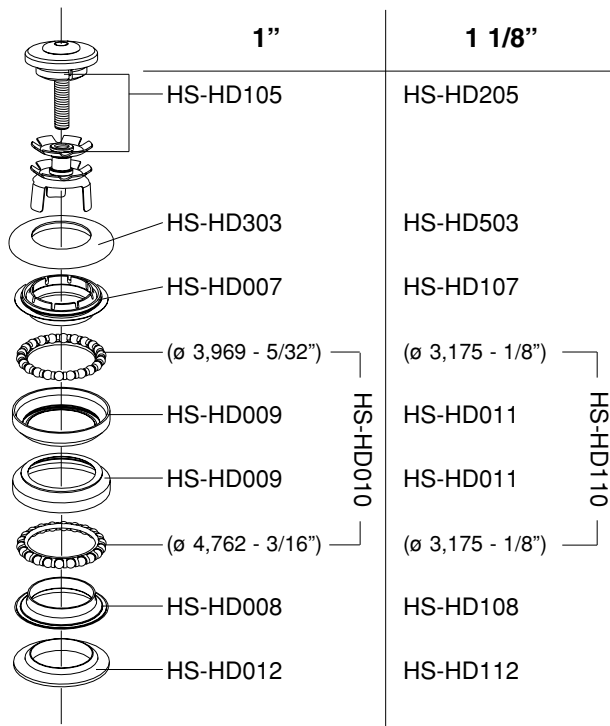


# HEADSET

## **RECORD Hiddenset**

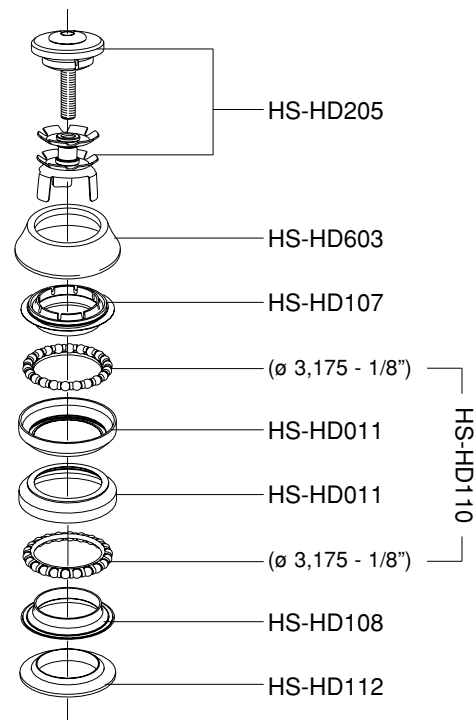
1": HS01-REHI

1 1/8": HS03-REHIOS

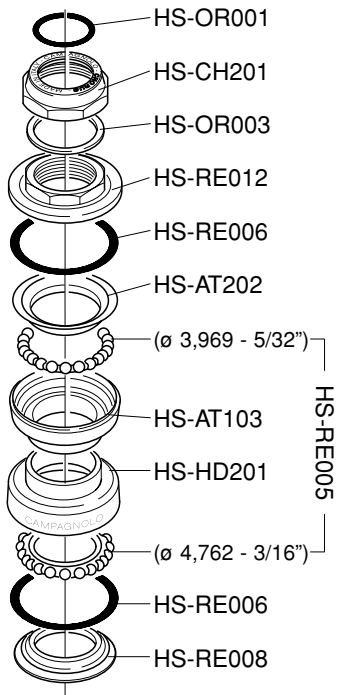


## **RECORD Hiddenset TTC**

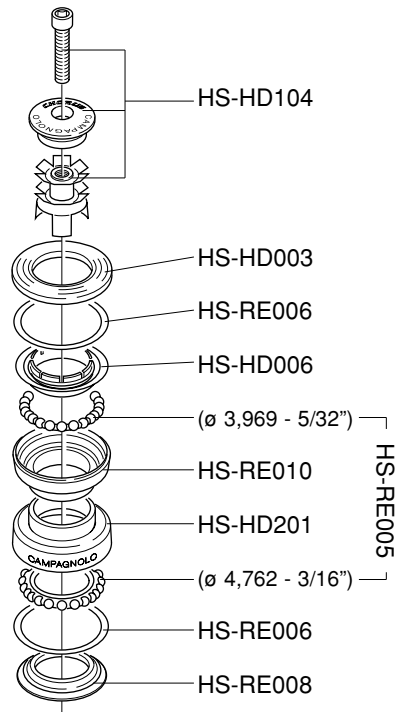
1 1/8": HS03-REHIOS



**CHORUS  
HS00-CH**

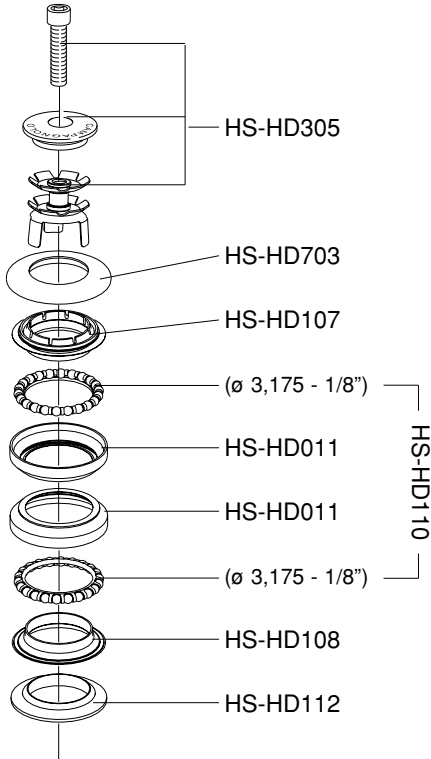


**CHORUS  
THREADLESS  
HS00-CHTH**

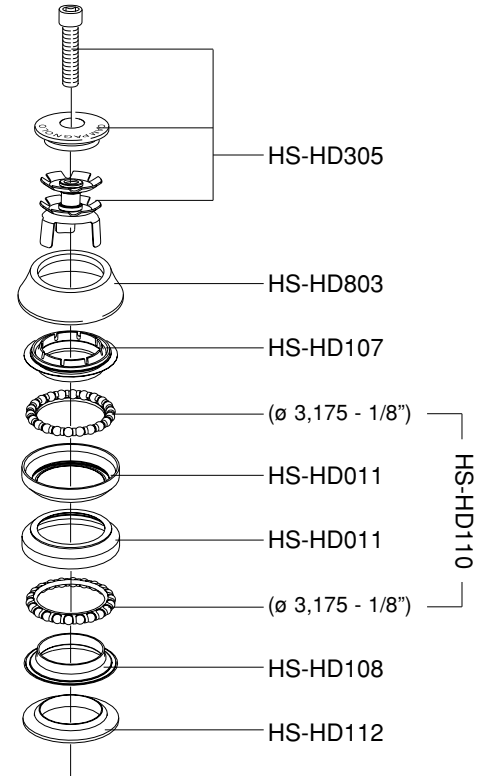




## **CHORUS Hiddenset** 1 1/8": HS03-CHHIOS



## **CHORUS Hiddenset TTC** 1 1/8": HS03-CHHIOST



**RECORD**

**Carbon**

SP01-RE272C

SP01-RE272CL

SP02-RE324C

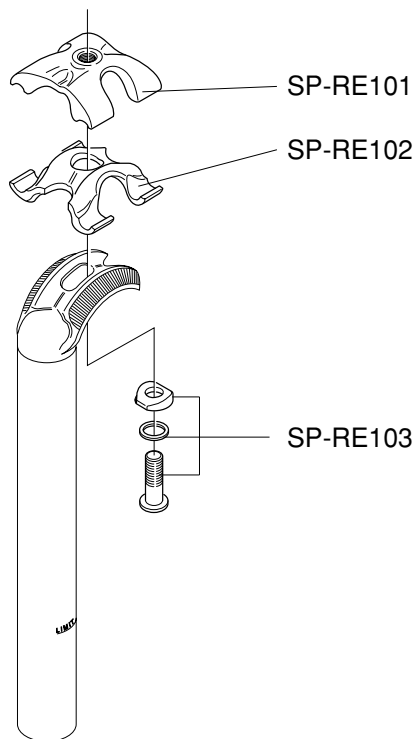
**CHORUS**

**Titanium**

SP01-CH272C

**CENTAUR**

SP02-CE272

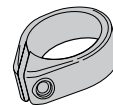


**SP-RE106**

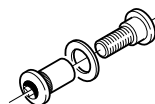
per tubi Ø 31,6 / 31,9 mm  
for tubes Ø 31,6 / 31,9 mm

**SP-RE107**

per tubi Ø 35,5 / 35,8 mm  
for tubes Ø 35,5 / 35,8 mm



**SP-RE104**



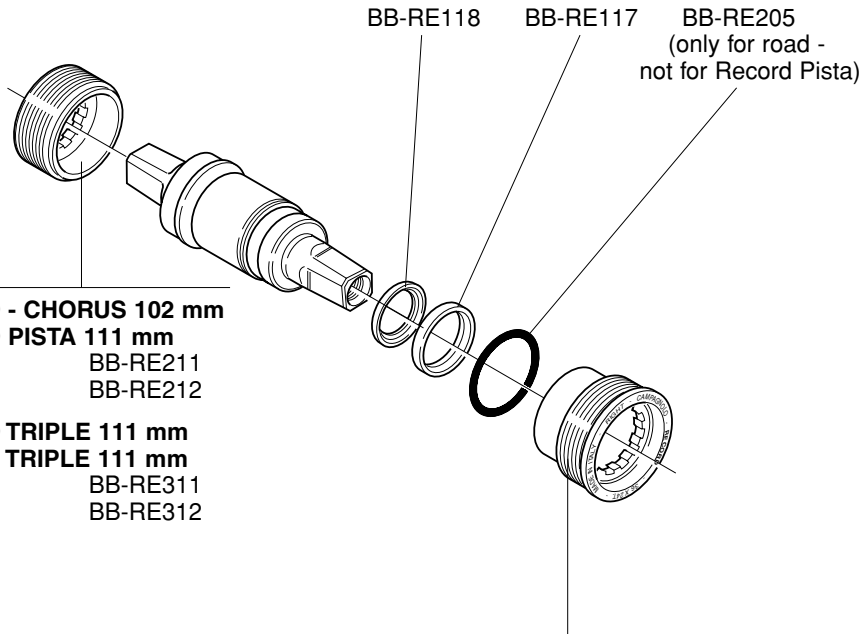
**RECORD** 102 mm  
**BB99-RE02IT**  
**BB99-RE02BC**

**RECORD TRIPLE**  
 111 mm  
 asymmetrical  
**BB02-RE11IT**  
**BB02-RE11BC**

**CHORUS TRIPLE**  
 111 mm  
 asymmetrical  
**BB03-CH11IT**  
**BB03-CH11BC**

**CHORUS** 102 mm  
**BB99-CH02IT**  
**BB99-CH02BC**

**RECORD PISTA**  
 111 mm  
**BB01-REPIIT**  
**BB01-REPIBC**



**RECORD - CHORUS** 102 mm  
**RECORD PISTA** 111 mm  
 Italian: BB-RE211  
 English: BB-RE212

**RECORD TRIPLE** 111 mm  
**CHORUS TRIPLE** 111 mm  
 Italian: BB-RE311  
 English: BB-RE312

**RECORD** 102 mm / **RECORD PISTA** 111 mm  
 Italian: BB-RE213  
 English: BB-RE214

**RECORD TRIPLE** 111 mm  
 Italian: BB-RE313  
 English: BB-RE314

**CHORUS TRIPLE** 111 mm  
 Italian: BB-CH313  
 English: BB-CH314

**CHORUS** 102 mm  
 Italian: BB-CH213  
 English: BB-CH214

## ***AC-H***

111 mm

**BB00-AH11IT**  
**BB00-AH11BC**

115,5 mm

**BB00-AH15IT**  
**BB00-AH15BC**

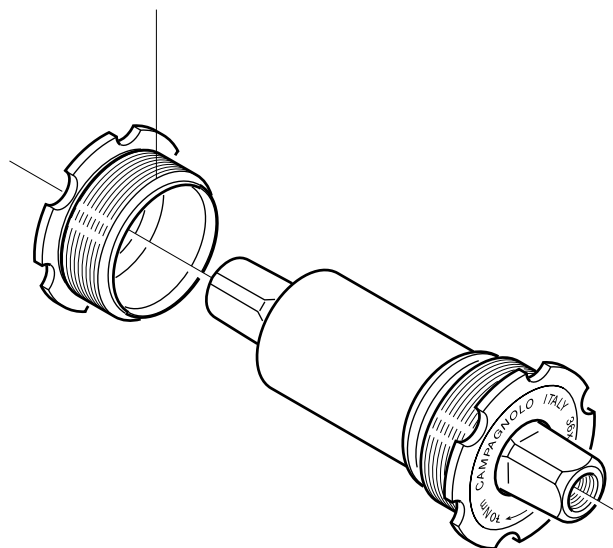
## ***AC-5***

111 mm

**BB00-AS11IT**  
**BB00-AS11BC**

ITALIAN:  
ENGLISH:

BB-AH001  
BB-AH003



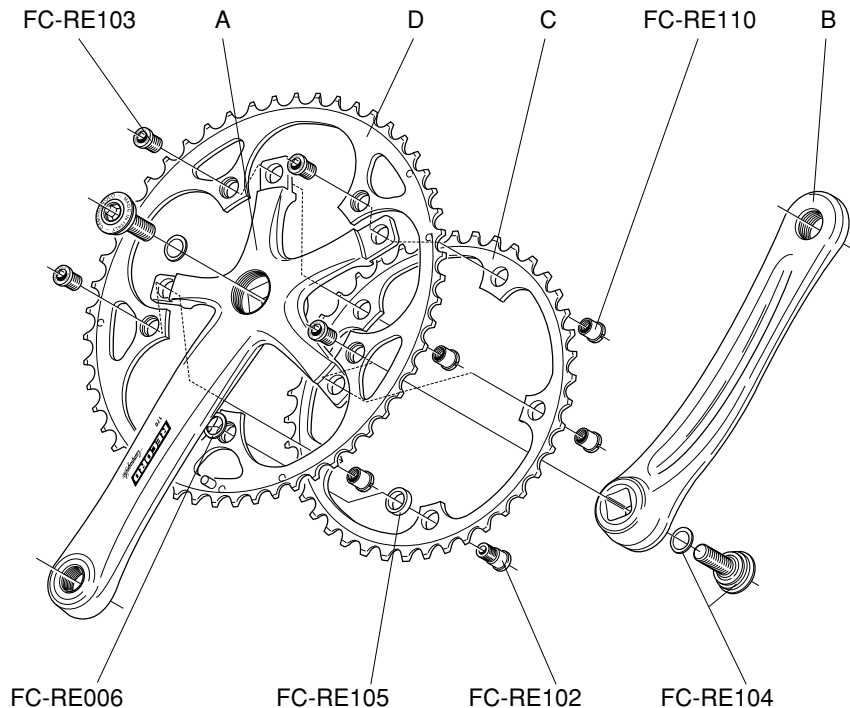
## **RECORD 10s** **FC03-RE...10**

<b>A</b>	170 mm	FC-RE760
	172,5 mm	FC-RE762
	175 mm	FC-RE764
	177,5 mm	FC-RE766
	180 mm	FC-RE768

<b>B</b>	170 mm	FC-RE761
	172,5 mm	FC-RE763
	175 mm	FC-RE765
	177,5 mm	FC-RE767
	180 mm	FC-RE769

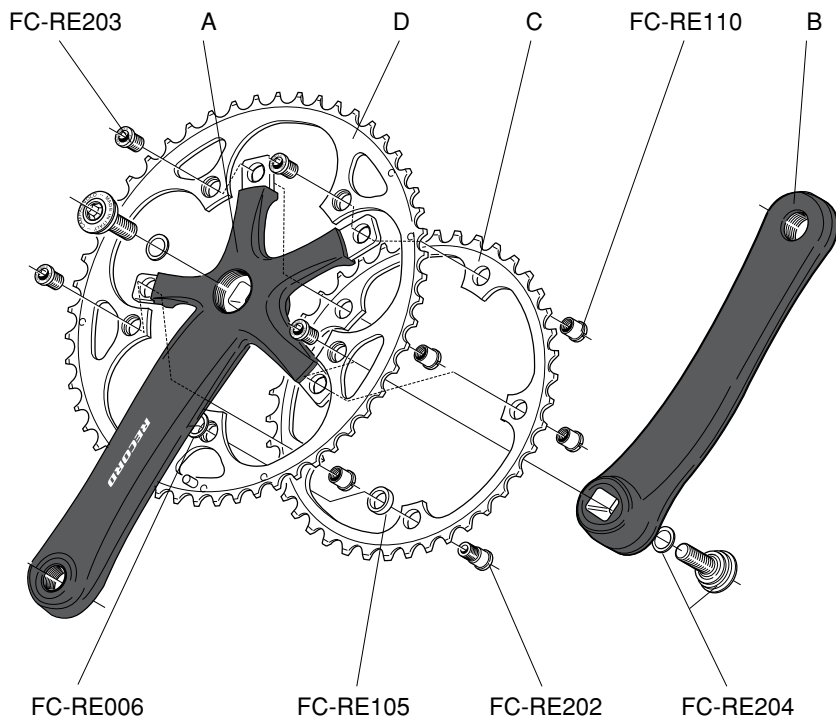
<b>C</b>	Z39	FC-RE039
	Z42	FC-RE142

<b>D</b>	Z52 for 39	FC-RE652
	Z52 for 42	FC-RE552
	Z53 for 39	FC-RE453



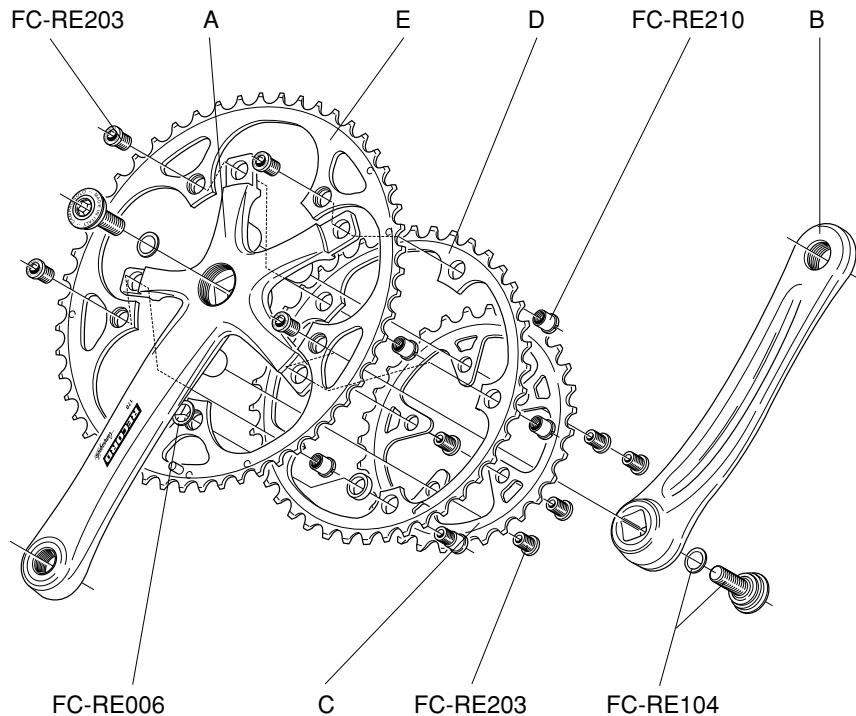
**RECORD**  
**Carbon 10s**  
**FC03-RE...C**

A	170 mm	FC-RE740C
	172,5 mm	FC-RE742C
	175 mm	FC-RE744C
B	170 mm	FC-RE741C
	172,5 mm	FC-RE743C
	175 mm	FC-RE745C
C	Z39	FC-RE039
	Z42	FC-RE142
D	Z52 for 39	FC-RE652
	Z52 for 42	FC-RE552
	Z53 for 39	FC-RE453



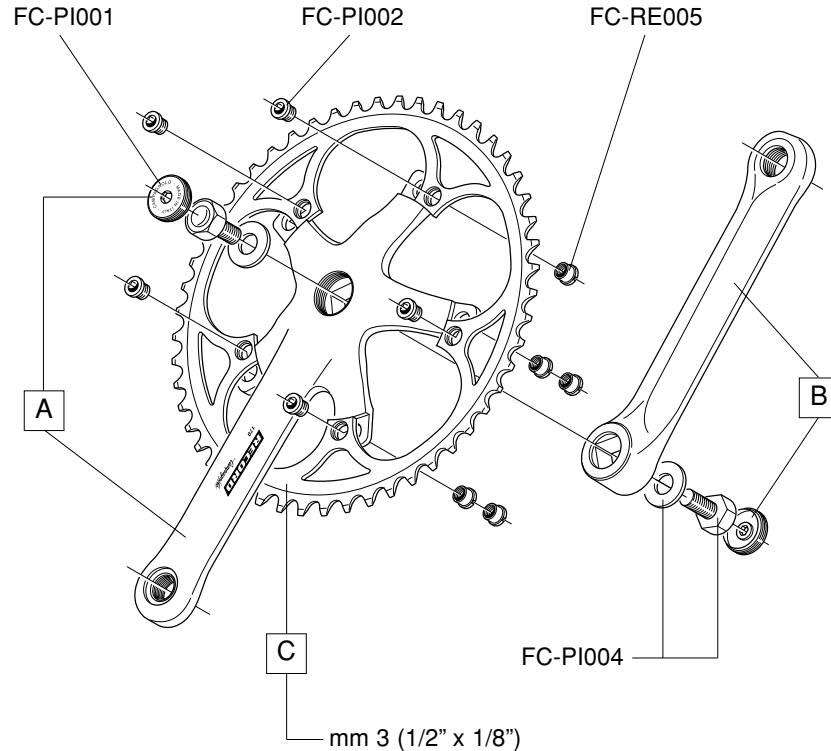
**RECORD**  
**TRIPLE 10s**  
**FC03-RE....10**

A	170 mm	FC-RE830
	172,5 mm	FC-RE832
	175 mm	FC-RE834
B	170 mm	FC-RE831
	172,5 mm	FC-RE833
	175 mm	FC-RE835
C	Z30	FC-RE030
D	Z40 for 30	FC-RE040
	Z42 for 30	FC-RE442
E	Z50 for 40	FC-RE050
	Z53 for 42	FC-RE053



**RECORD**  
**PISTA**  
**FC01-REPI...**

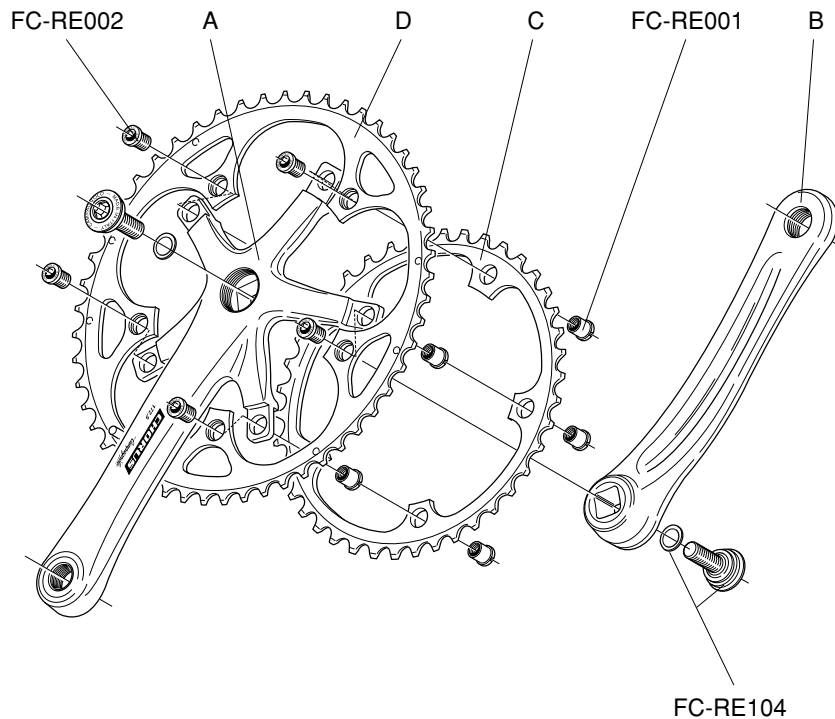
A	165 mm	FC-PI365
	170 mm	FC-PI370
B	165 mm	FC-PI465
	170 mm	FC-PI470
C	Z47	FC-PI047
	Z48	FC-PI048
	Z49	FC-PI049
	Z50	FC-PI050
	Z51	FC-PI051
	Z52	FC-PI052





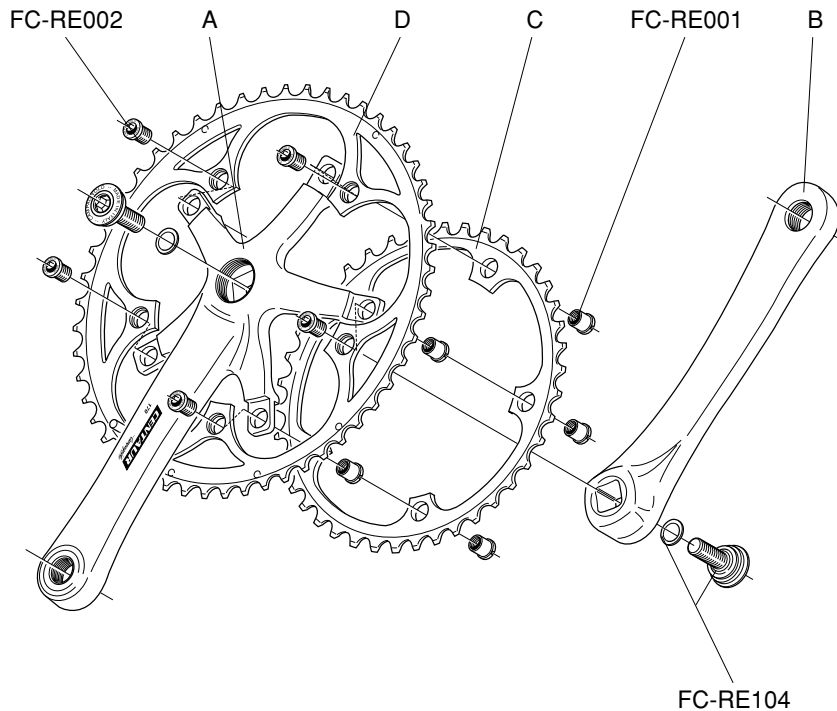
## **CHORUS 10s** **FC00-CH...10**

<b>A</b>	170 mm	FC-CH770
	172,5 mm	FC-CH772
	175 mm	FC-CH774
<b>B</b>	170 mm	FC-CH771
	172,5 mm	FC-CH773
	175 mm	FC-CH775
<b>C</b>	Z39	FC-RE039
	Z42	FC-RE142
<b>D</b>	Z52 for 39	FC-CH252
	Z52 for 42	FC-CH452
	Z53 for 39	FC-CH253



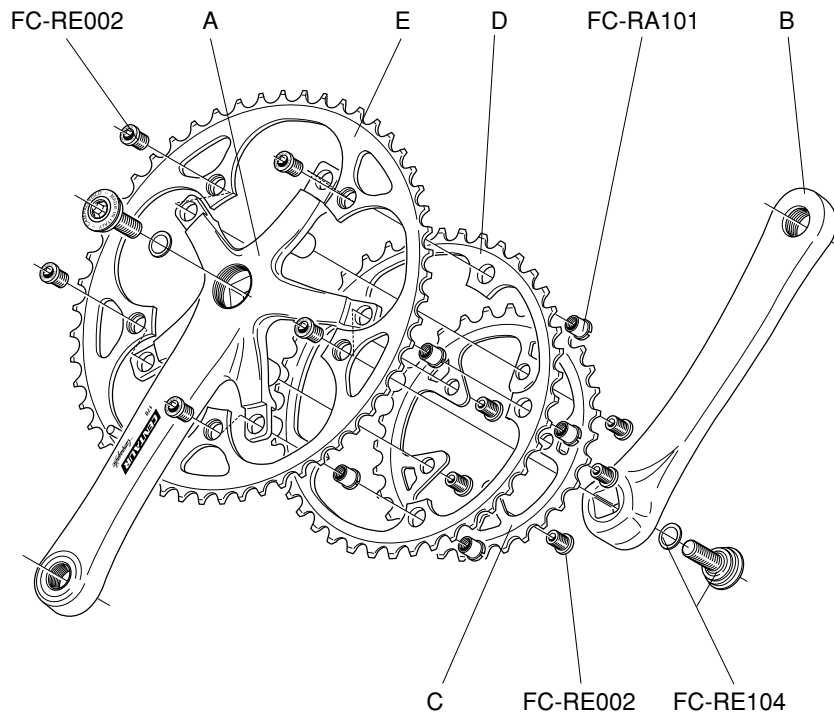
**CENTAUR 10s**  
**FC02-CE...10**

<b>A</b>	170 mm	FC-CE820
	172,5 mm	FC-CE822
	175 mm	FC-CE824
<b>B</b>	170 mm	FC-CE821
	172,5 mm	FC-CE823
	175 mm	FC-CE825
<b>C</b>	Z39	FC-RE039
	Z42	FC-RE142
<b>D</b>	Z52 for 39	FC-CH252
	Z52 for 42	FC-CH452
	Z53 for 39	FC-CH253



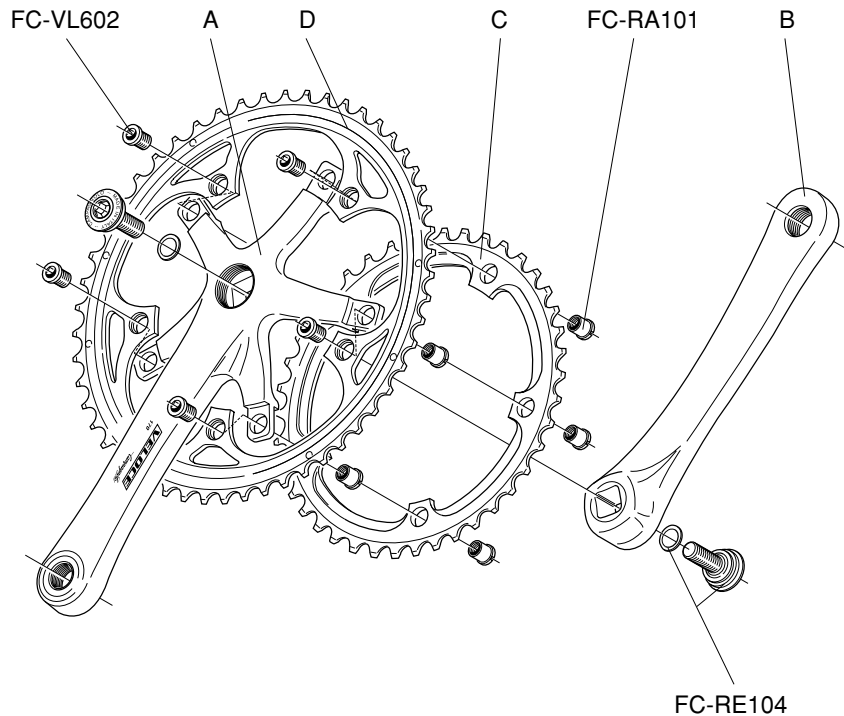
**CENTAUR**  
**TRIPLE 105**  
**FC03-CE....10**

<b>A</b>	170 mm	FC-CE826
	175 mm	FC-CE828
<b>B</b>	170 mm	FC-CE827
	175 mm	FC-CE829
<b>C</b>	Z30	FC-RE030
<b>D</b>	Z40 for 30	FC-CE040
	Z42 for 30	FC-CE042
<b>E</b>	Z50 for 40	FC-CE050
	Z53 for 42	FC-CE053



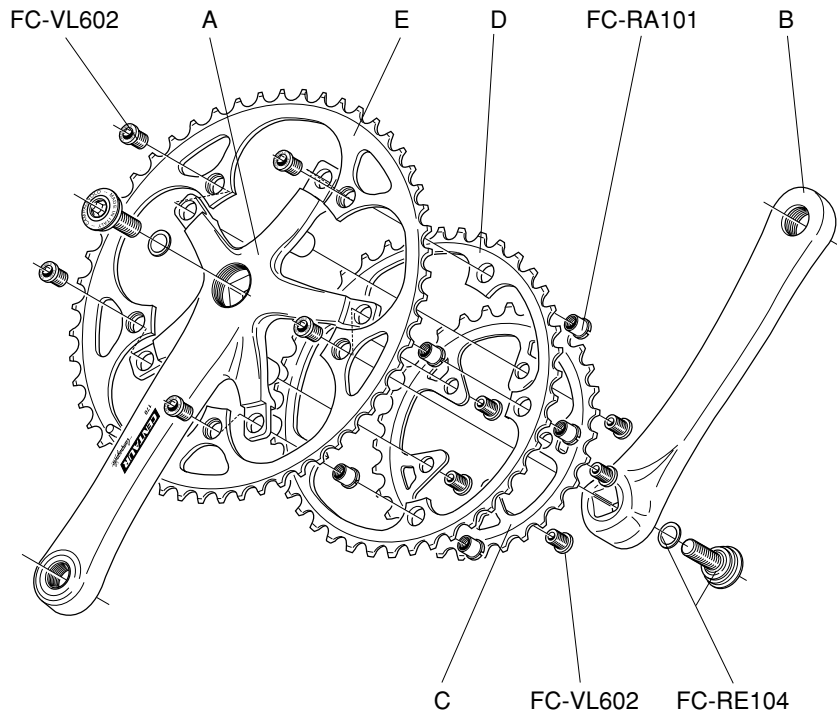
**VELOCE 9s**  
**FC01-VL...**

<b>A</b>	170 mm	FC-VL790
	172,5 mm	FC-VL792
	175 mm	FC-VL794
<b>B</b>	170 mm	FC-VL791
	172,5 mm	FC-VL793
	175 mm	FC-VL795
<b>C</b>	Z39	FC-MI039
	Z42	FC-MI042
<b>D</b>	Z52 for 42	FC-MI352
	Z53 for 39	FC-MI153



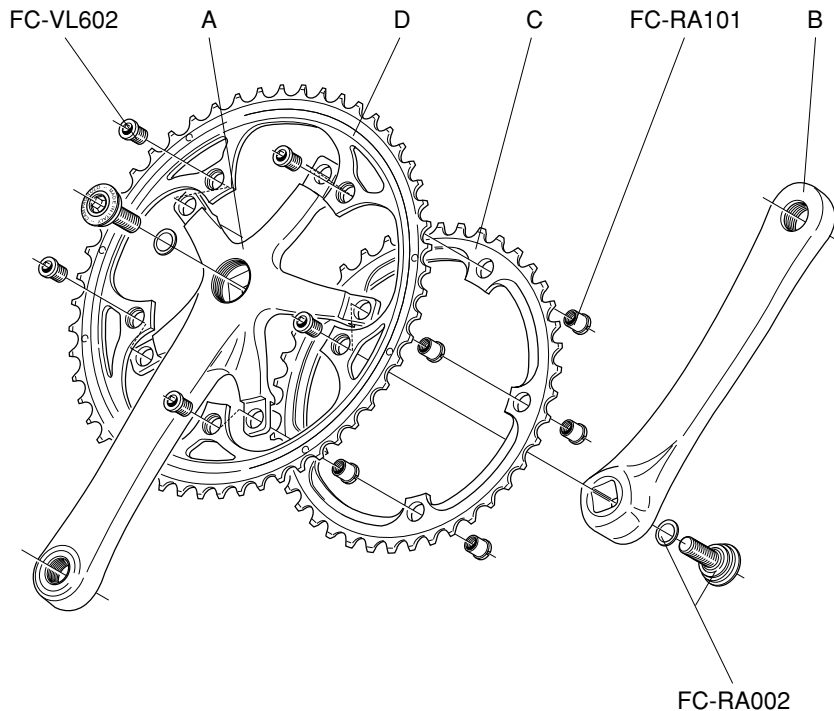
**VELOCE**  
**TRIPLE 9s**  
**FC01-VL....**

<b>A</b>	170 mm	FC-VL796
	175 mm	FC-VL798
<b>B</b>	170 mm	FC-VL797
	175 mm	FC-VL799
<b>C</b>	Z30	FC-MI730
<b>D</b>	Z42 for 30	FC-VL142
<b>E</b>	Z52 for 42	FC-MI352



**MIRAGE 9s**  
**XENON 9s**

		MIRAGE	XENON
A	170 mm	FC-MI810	FC-XE800
	172,5 mm	FC-MI812	
	175 mm	FC-MI814	FC-XE804
B	170 mm	FC-MI811	FC-XE801
	172,5 mm	FC-MI813	
	175 mm	FC-MI815	FC-XE805
C	Z39	FC-MI139	FC-MI139
	Z42	FC-MI142	
D	Z52 for 39		FC-XE052
	Z52 for 42	FC-MI352	
	Z53 for 39	FC-MI153	



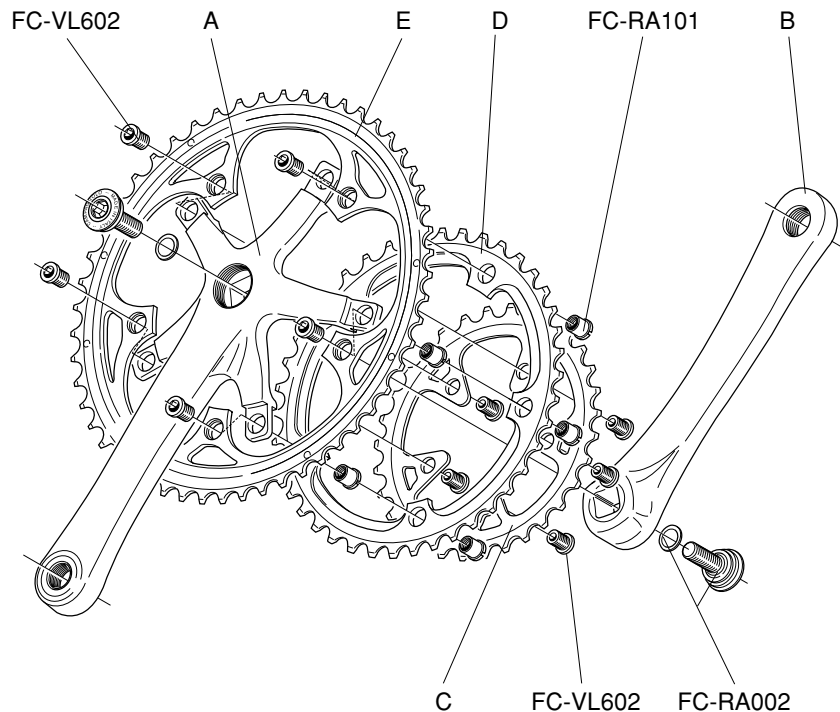
## MIRAGE TRIPLE 9s

FC02-MI....

## XENON TRIPLE 9s

FC02-XE....

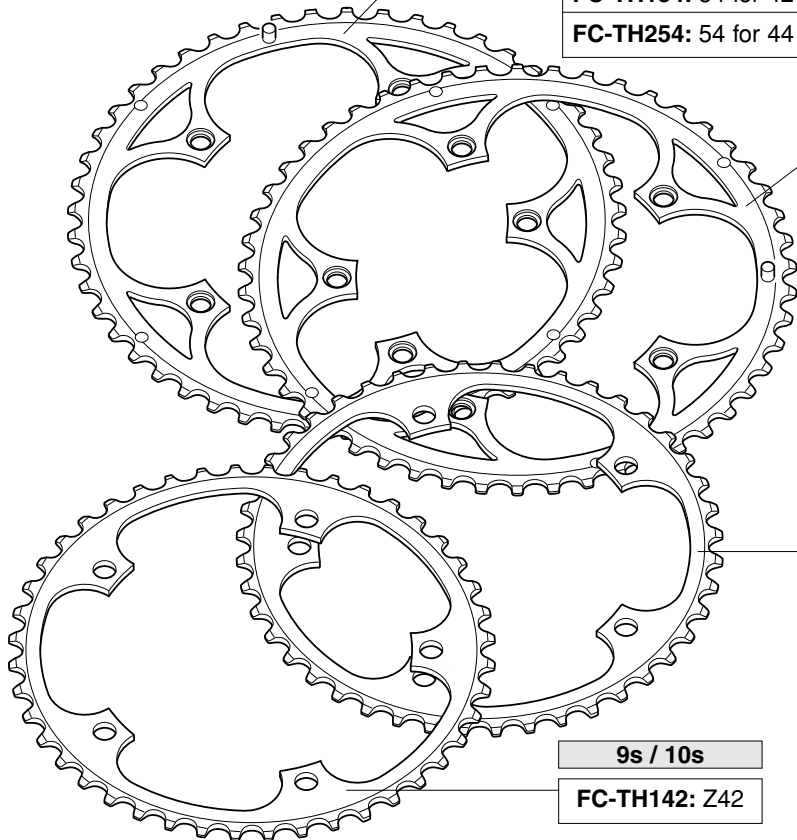
		MIRAGE	XENON
A	170 mm	FC-MI816	FC-XE806
	175 mm	FC-MI818	FC-XE808
B	170 mm	FC-MI817	FC-XE807
	175 mm	FC-MI819	FC-XE809
C	Z30	FC-MI030	FC-MI030
D	Z42 for 30	FC-VL142	FC-XE142
E	Z52 for 42	FC-MI352	FC-XE252



**CHRONO /  
TRIATHLON  
CHAINRINGS**

9s	RECORD 10s	CHORUS 10s
FC-TH155: 55 for 42	FC-RETH155: 55 for 42	FC-CHTH155: 55 for 42
FC-TH255: 55 for 44	FC-RETH255: 55 for 44	FC-CHTH255: 55 for 44

9s	RECORD 10s	CHORUS 10s
FC-TH154: 54 for 42	FC-RETH154: 54 for 42	FC-CHTH154: 54 for 42
FC-TH254: 54 for 44	FC-RETH254: 54 for 44	FC-CHTH254: 54 for 44



9s / 10s
FC-TH144: Z44

9s / 10s
FC-TH142: Z42

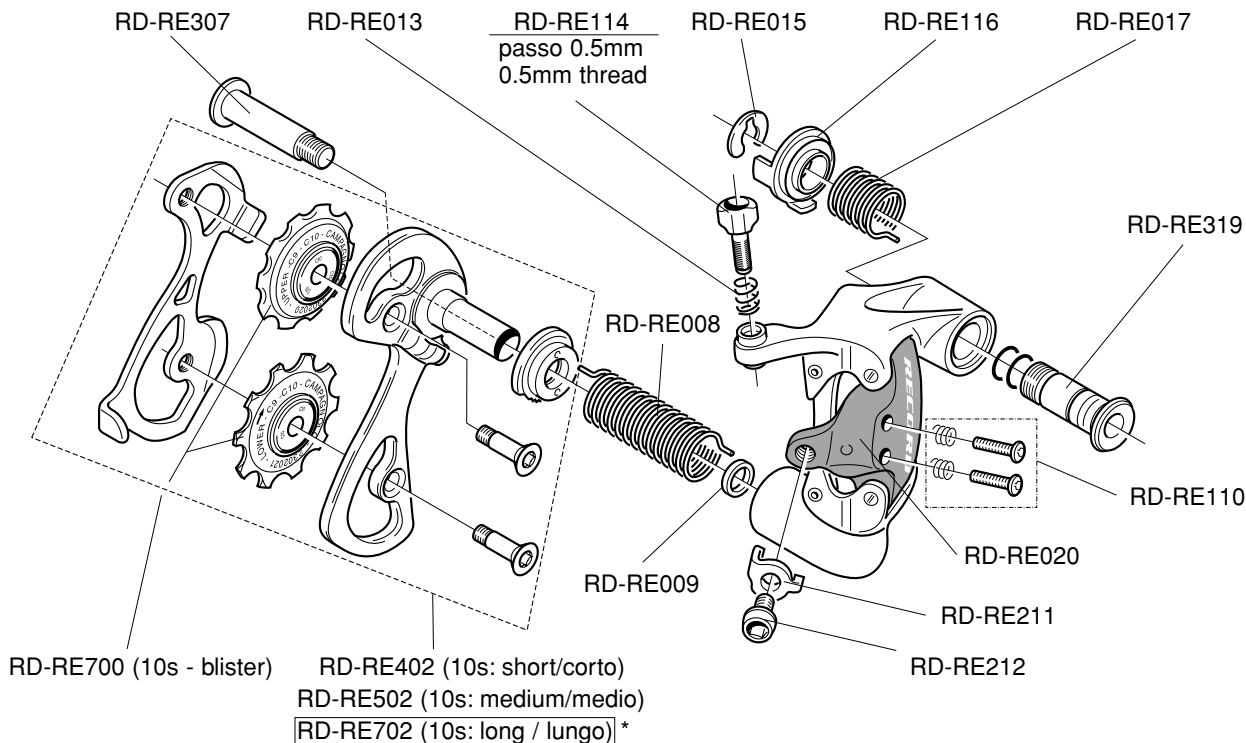


## RECORD 10s

RD00-RE210

RD00-RE210L

RD00-RE210LL

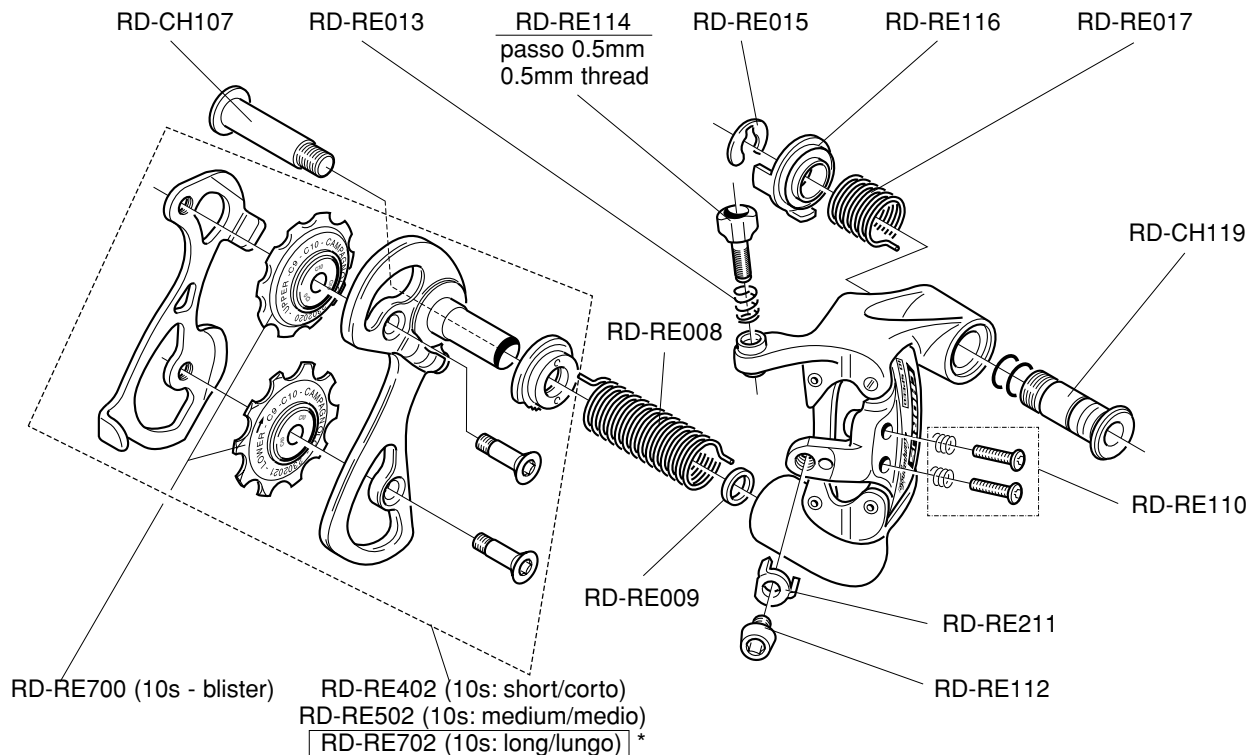


\* solo per RD02-RE210LL - non compatibile con RD00-RE210 e RD00-RE210L

\* only for RD02-RE210LL - not compatible with RD00-RE210 and RD00-RE210L

# CHORUS 10s

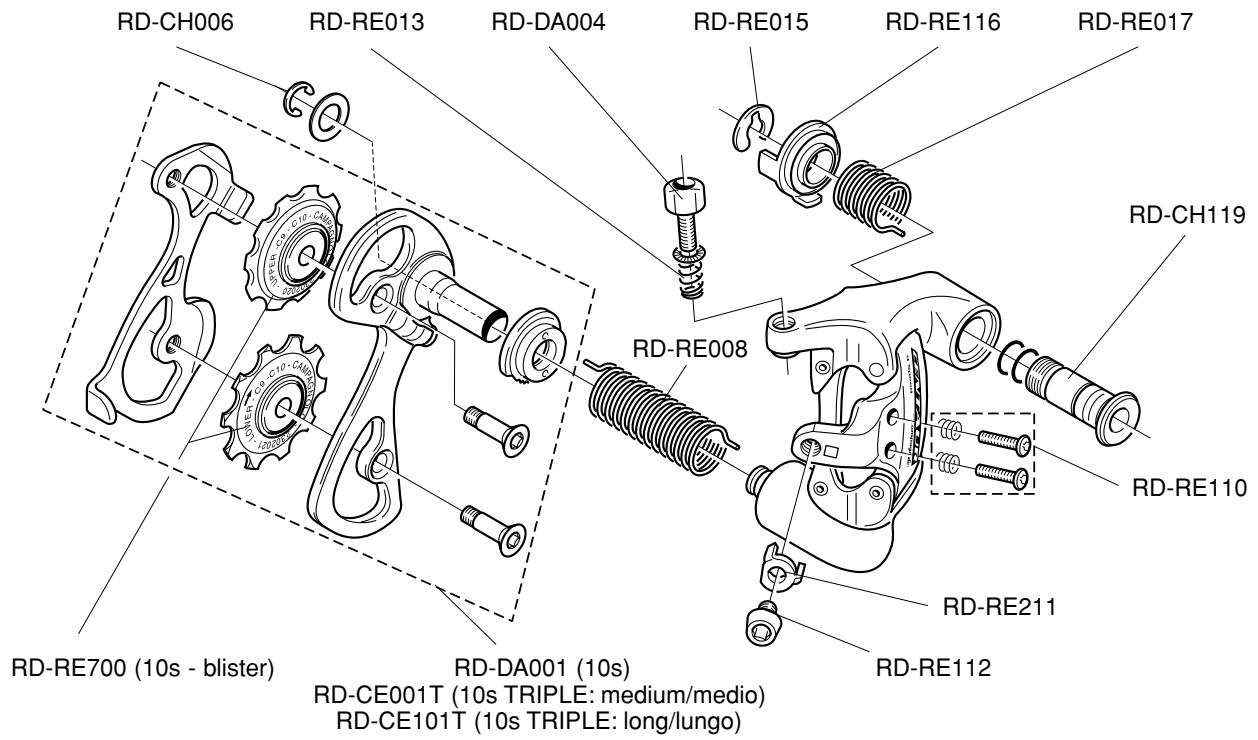
RD00-CH210  
RD00-CH210L  
RD03-CH210LL



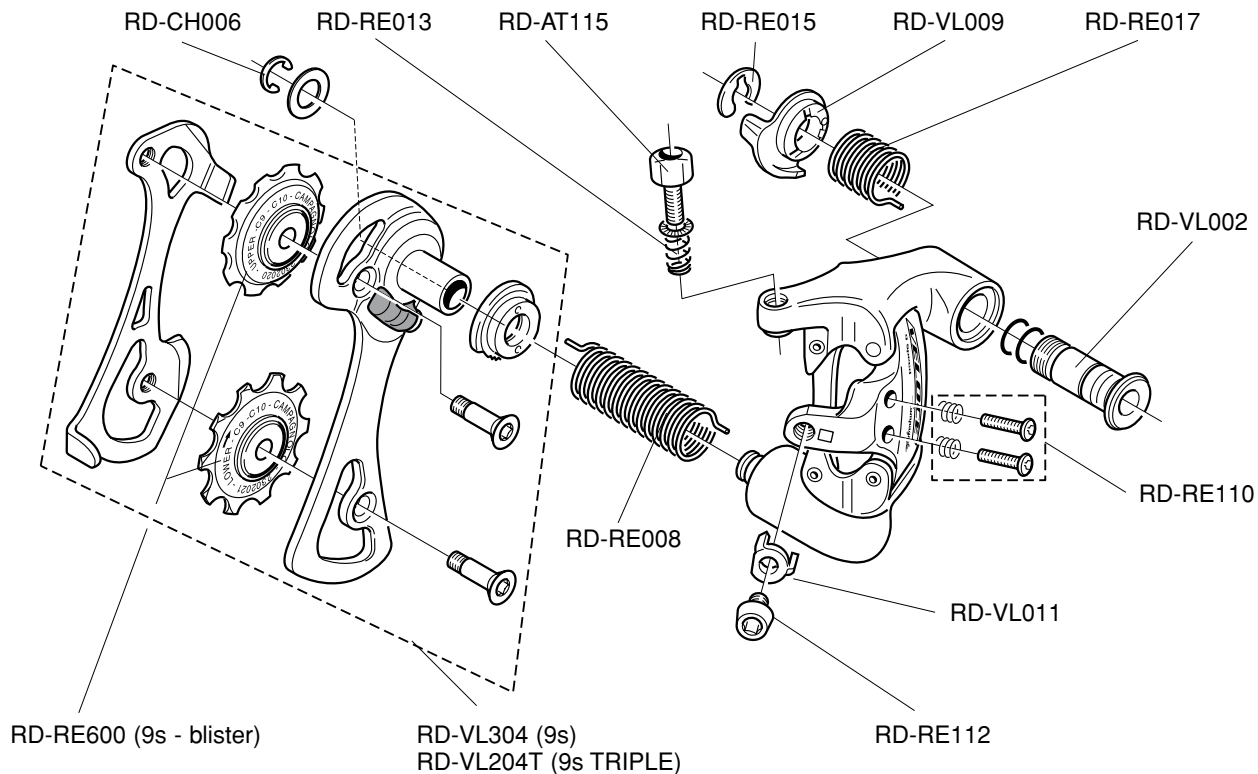
\* solo per RD03-CH210LL - non compatibile con RD00-CH210 e RD00-CH210L

\* only for RD03-CH210LL - not compatible with RD00-CH210 and RD00-CH210L

**CENTAUR 10s**  
**RD02-CE210**  
**CENTAUR TRIPLE 10s**  
**RD03-CE310**

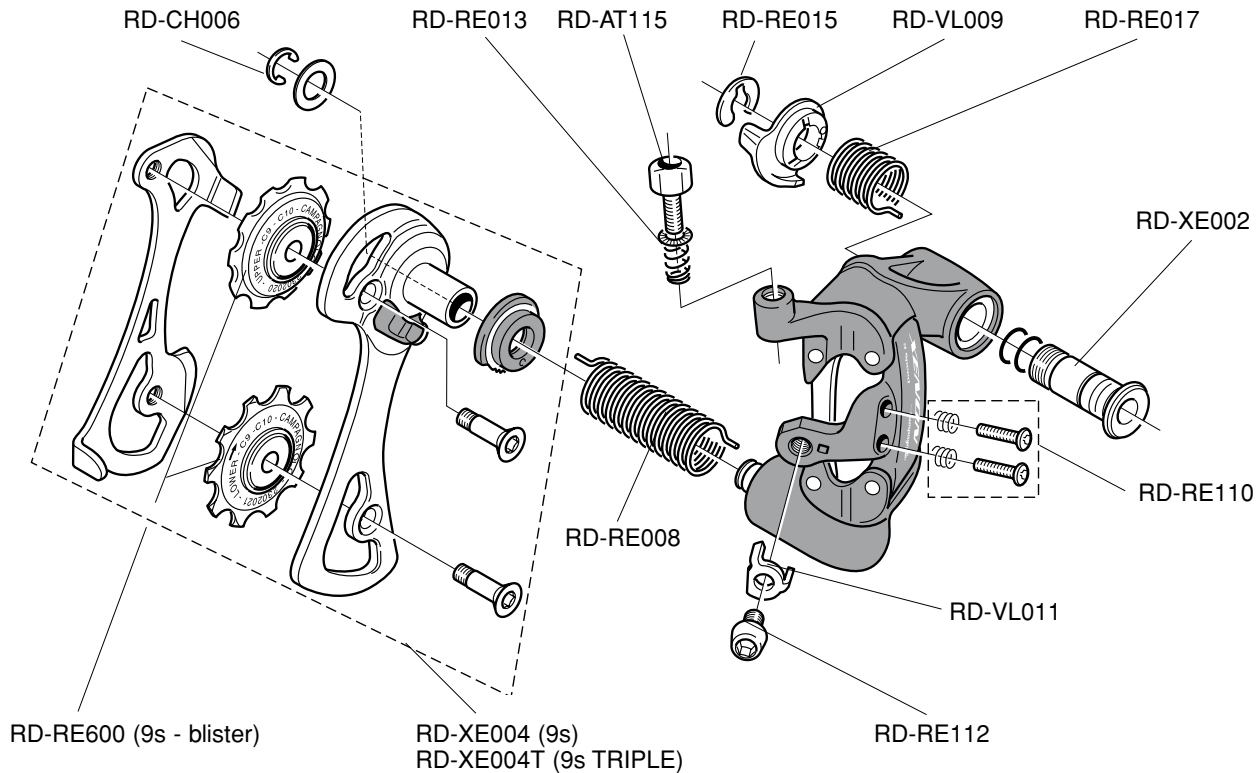


**VELOCE 9s**  
**RD02-VL209**  
**VELOCE TRIPLE 9s**  
**RD02-VL309**





**XENON 9s**  
**RD02-XE209**  
**XENON TRIPLE 9s**  
**RD02-XE309**



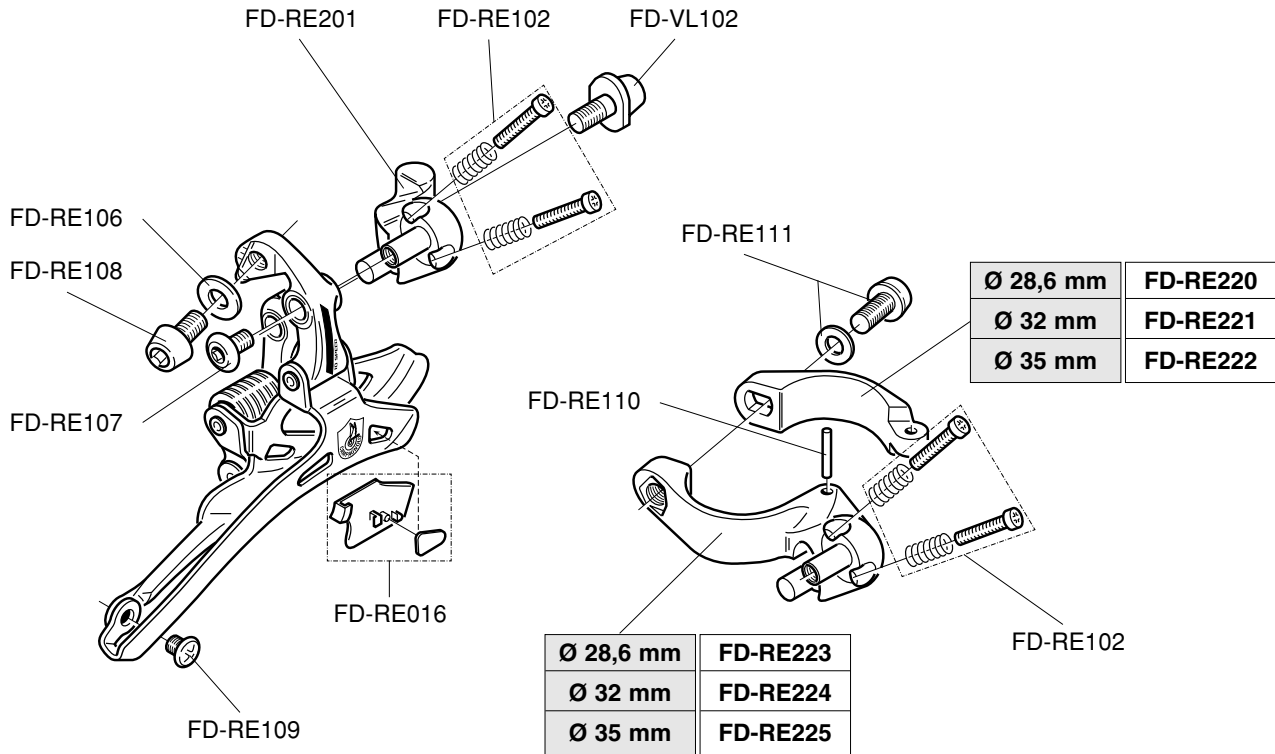
**RECORD 10s**

**FD00-RE2...**

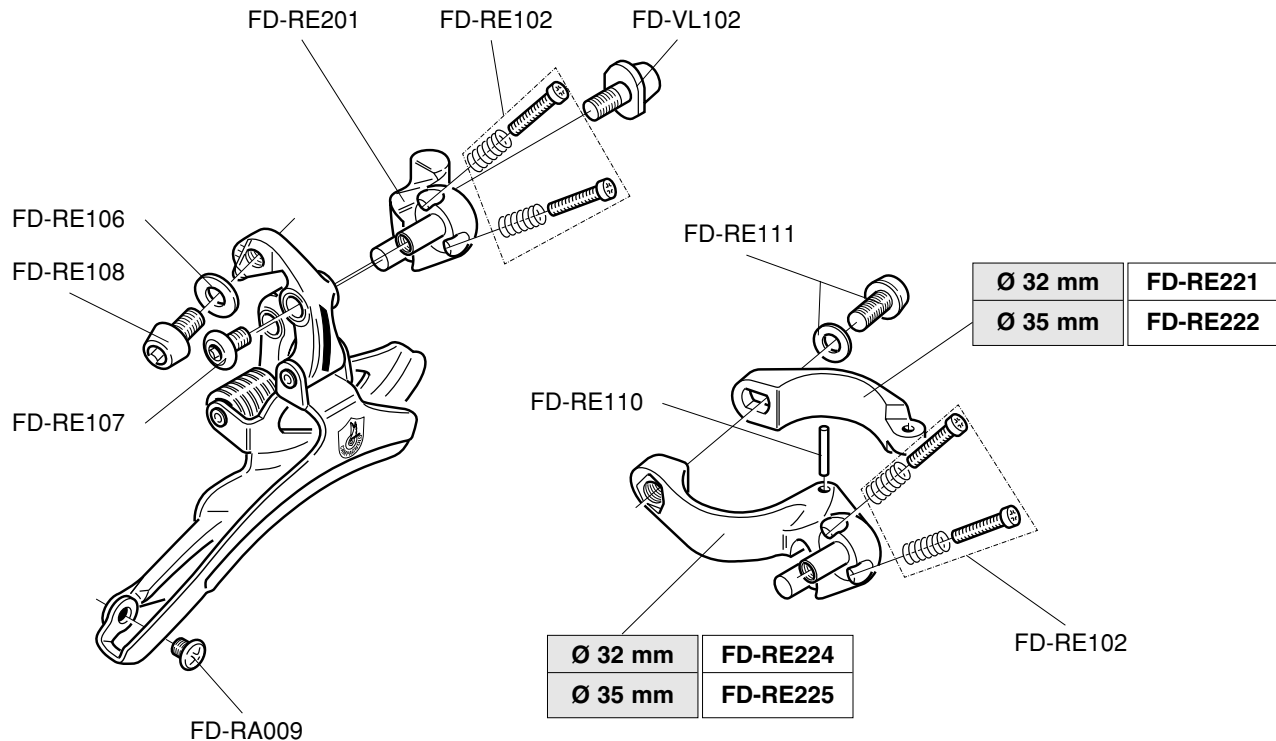
**CHORUS 10s**

**FD00-RE2...**

**9s compatible**



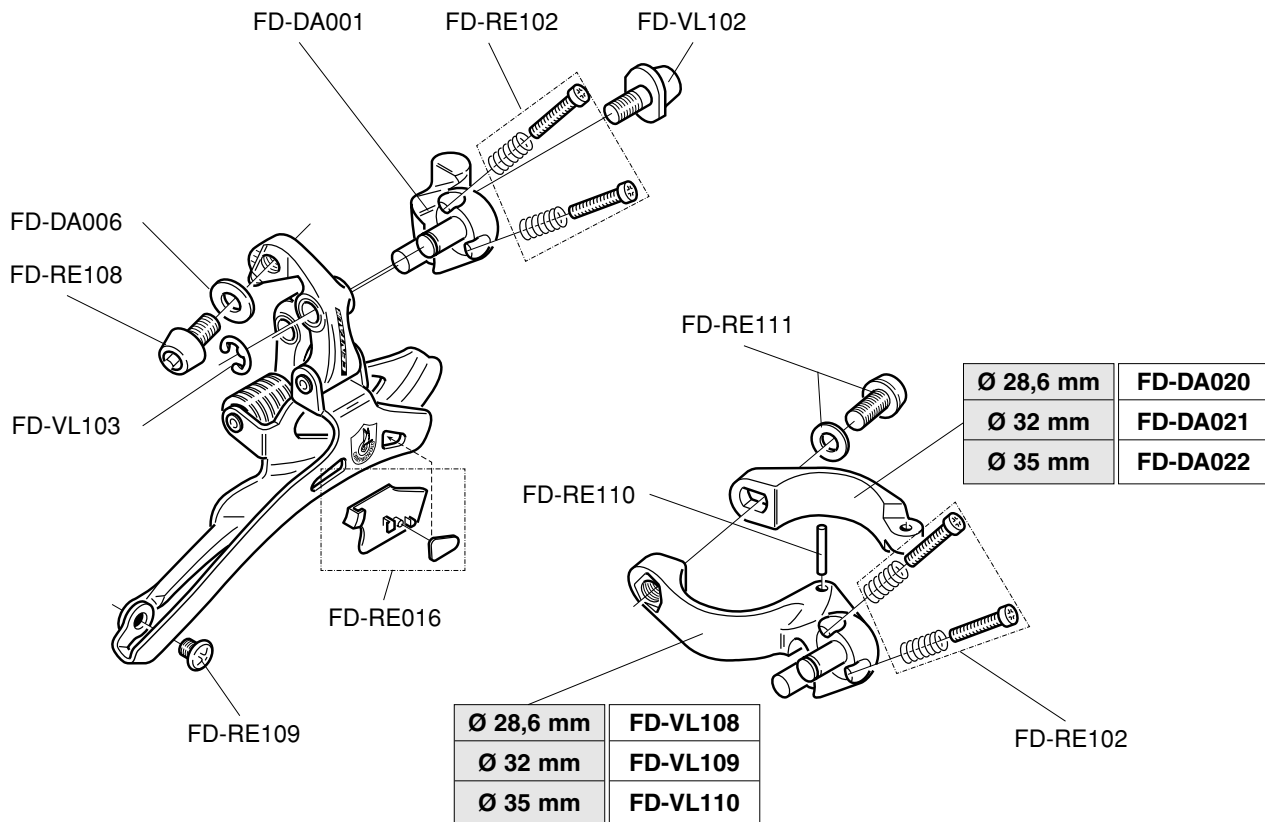
**RECORD TRIPLE 10s**  
**FD02-RE3...**





**CENTAUR 10s**  
FD02-CE2...

**9s compatible**



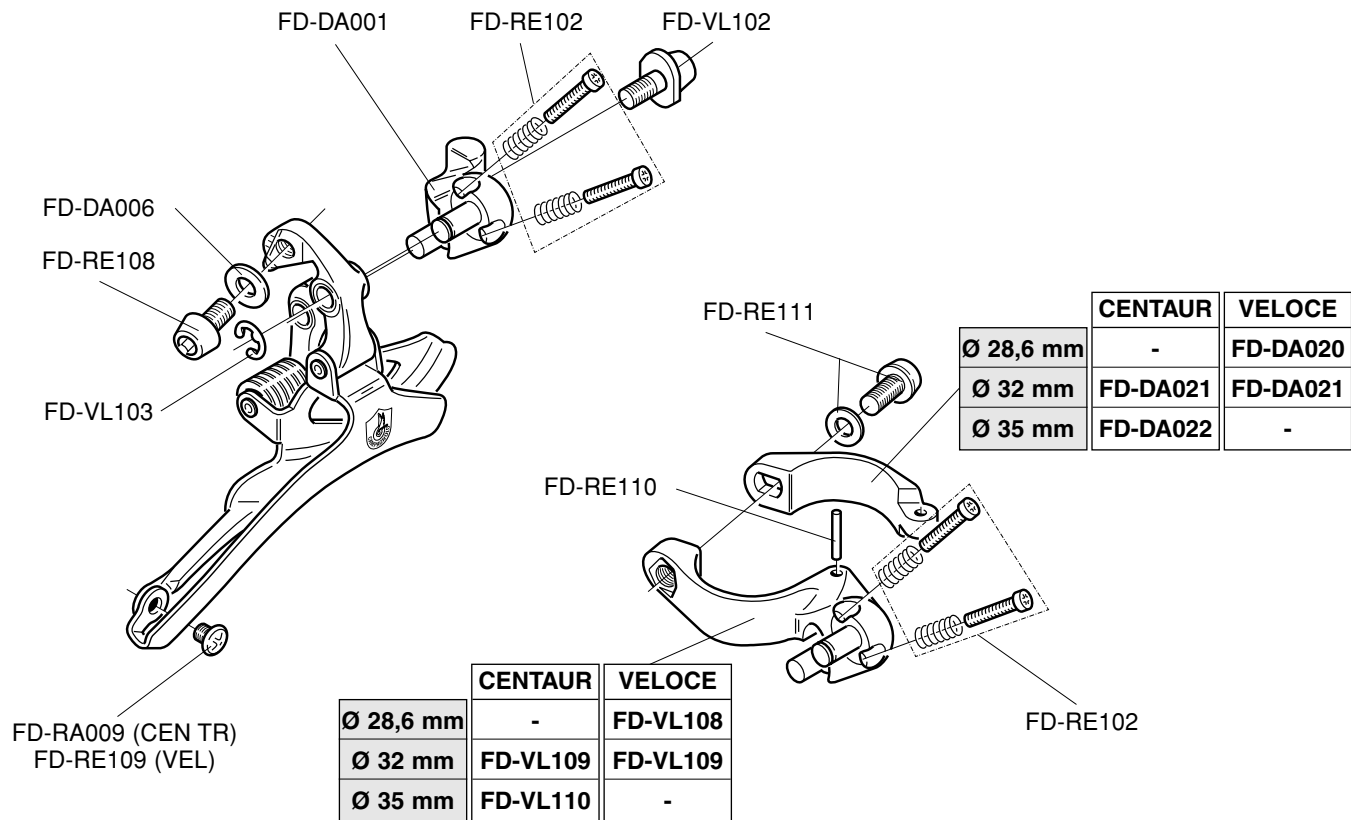
# CENTAUR TRIPLE 10s

FD03-CE3...

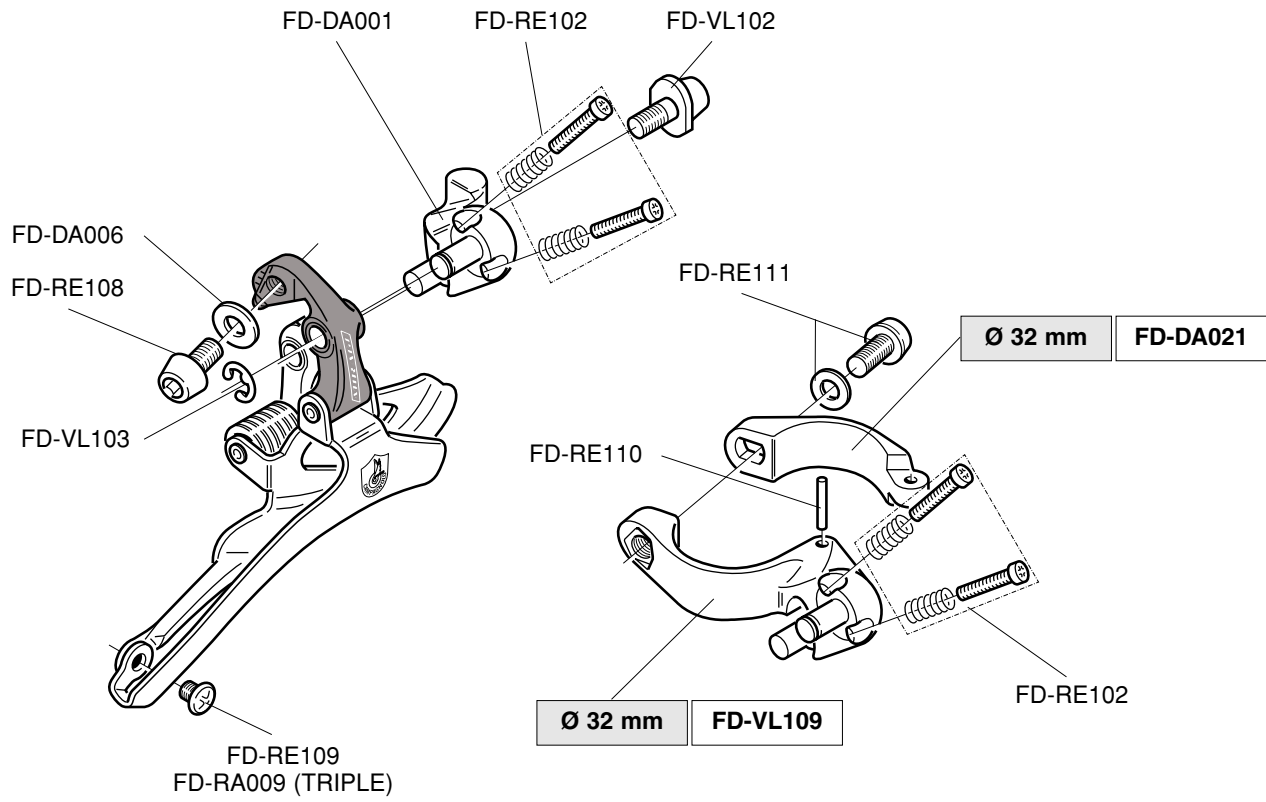
VELOCE 9s

FD01-VL2...

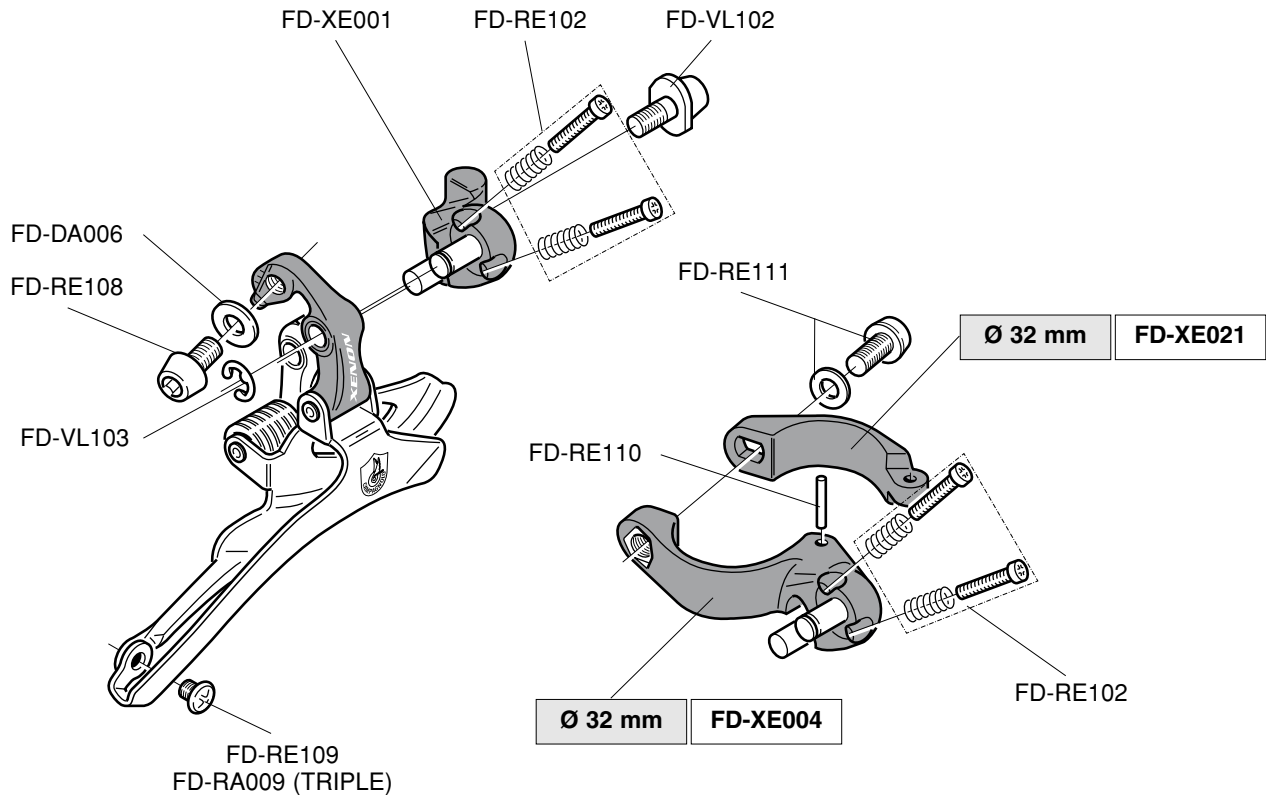
9s compatible



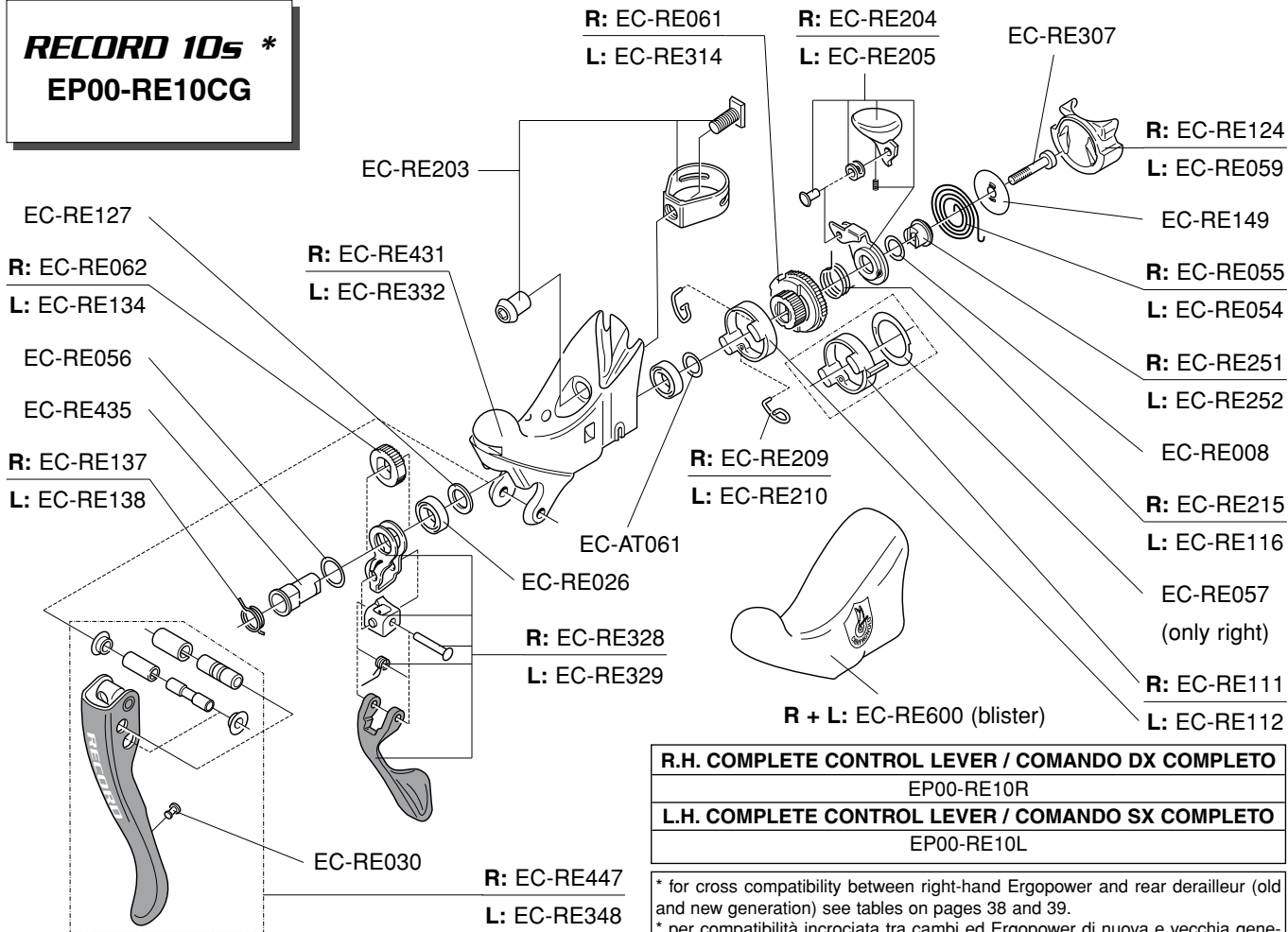
**MIRAGE 9s**  
FD01-MI2...  
**MIRAGE TRIPLE 9s**  
FD01-MI3...



**XENON 9s**  
**FD02-XE2...**  
**XENON TRIPLE 9s**  
**FD02-XE3...**



**RECORD 10s \***  
**EP00-RE10CG**



**R.H. COMPLETE CONTROL LEVER / COMANDO DX COMPLETO**

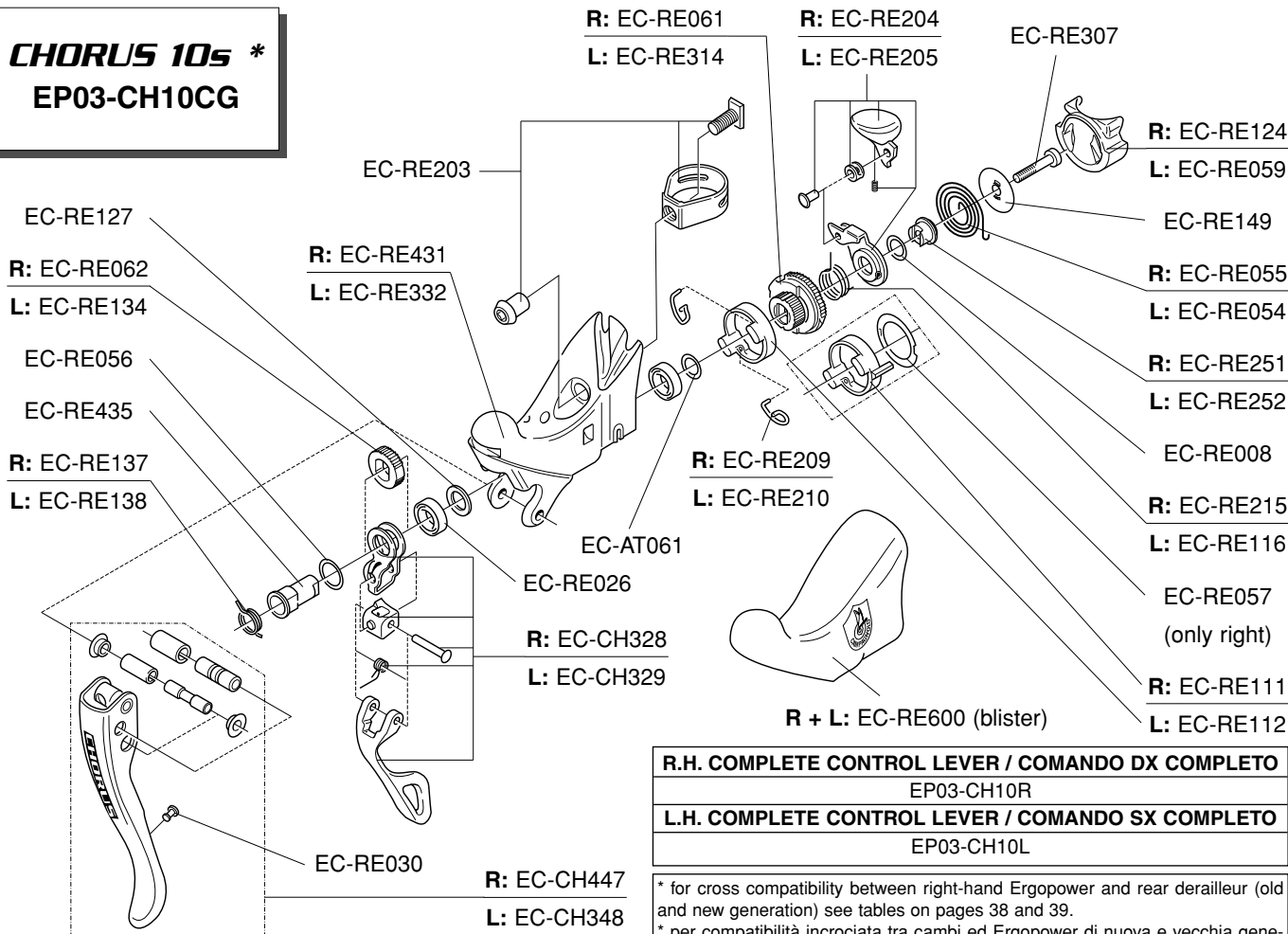
EP00-RE10R

**L.H. COMPLETE CONTROL LEVER / COMANDO SX COMPLETO**

EP00-RE10L

\* for cross compatibility between right-hand Ergopower and rear derailleur (old and new generation) see tables on pages 38 and 39.  
\* per compatibilità incrociata tra cambi ed Ergopower di nuova e vecchia generazione vedi tabelle alle pagg. 38 e 39.

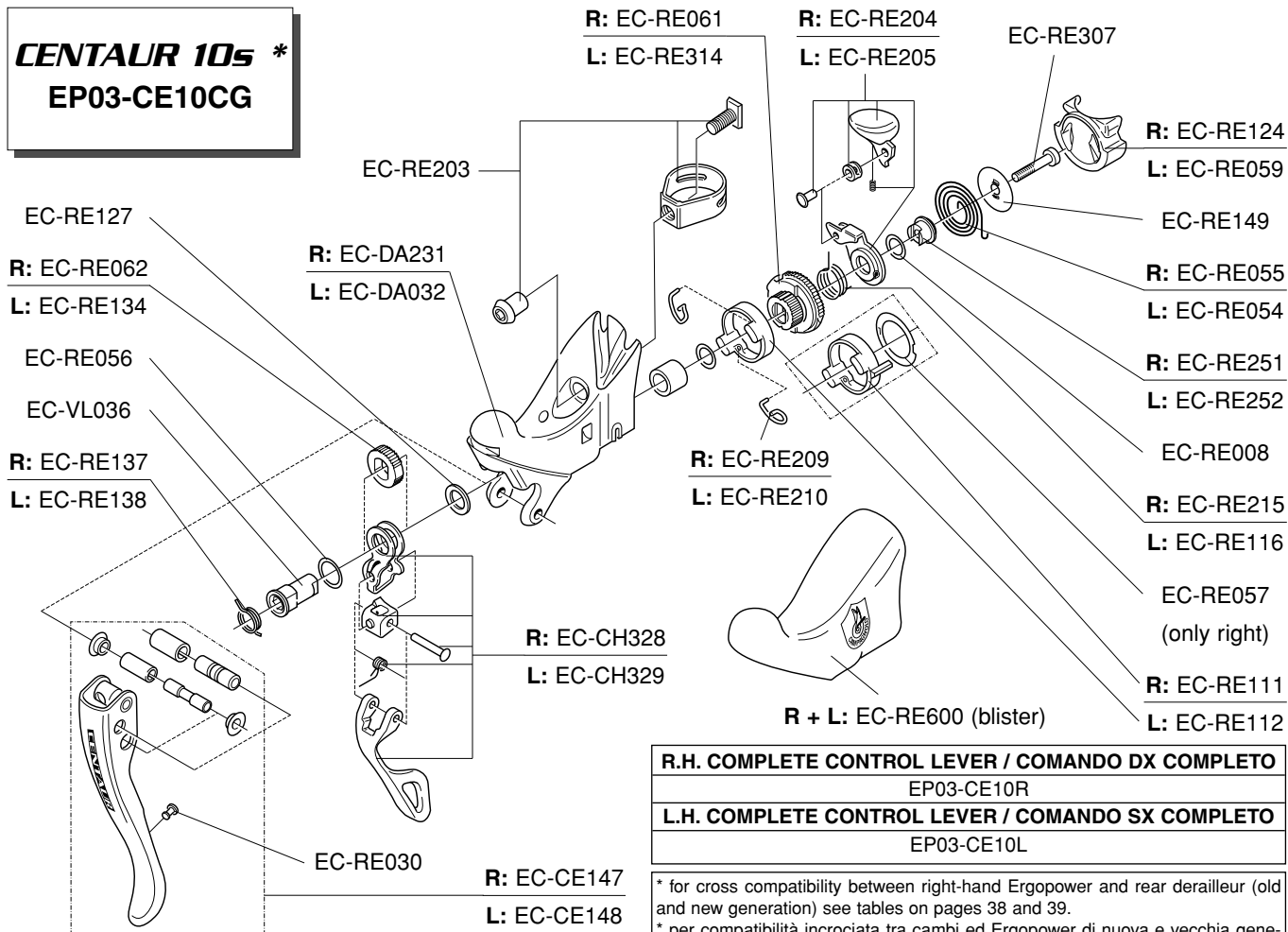
**CHORUS 10s \***  
**EP03-CH10CG**



<b>R.H. COMPLETE CONTROL LEVER / COMANDO DX COMPLETO</b>
EP03-CH10R
<b>L.H. COMPLETE CONTROL LEVER / COMANDO SX COMPLETO</b>
EP03-CH10L

\* for cross compatibility between right-hand Ergopower and rear derailleur (old and new generation) see tables on pages 38 and 39.  
\* per compatibilità incrociata tra cambi ed Ergopower di nuova e vecchia generazione vedi tabelle alle pagg. 38 e 39.

**CENTAUR 10s \***  
**EP03-CE10CG**

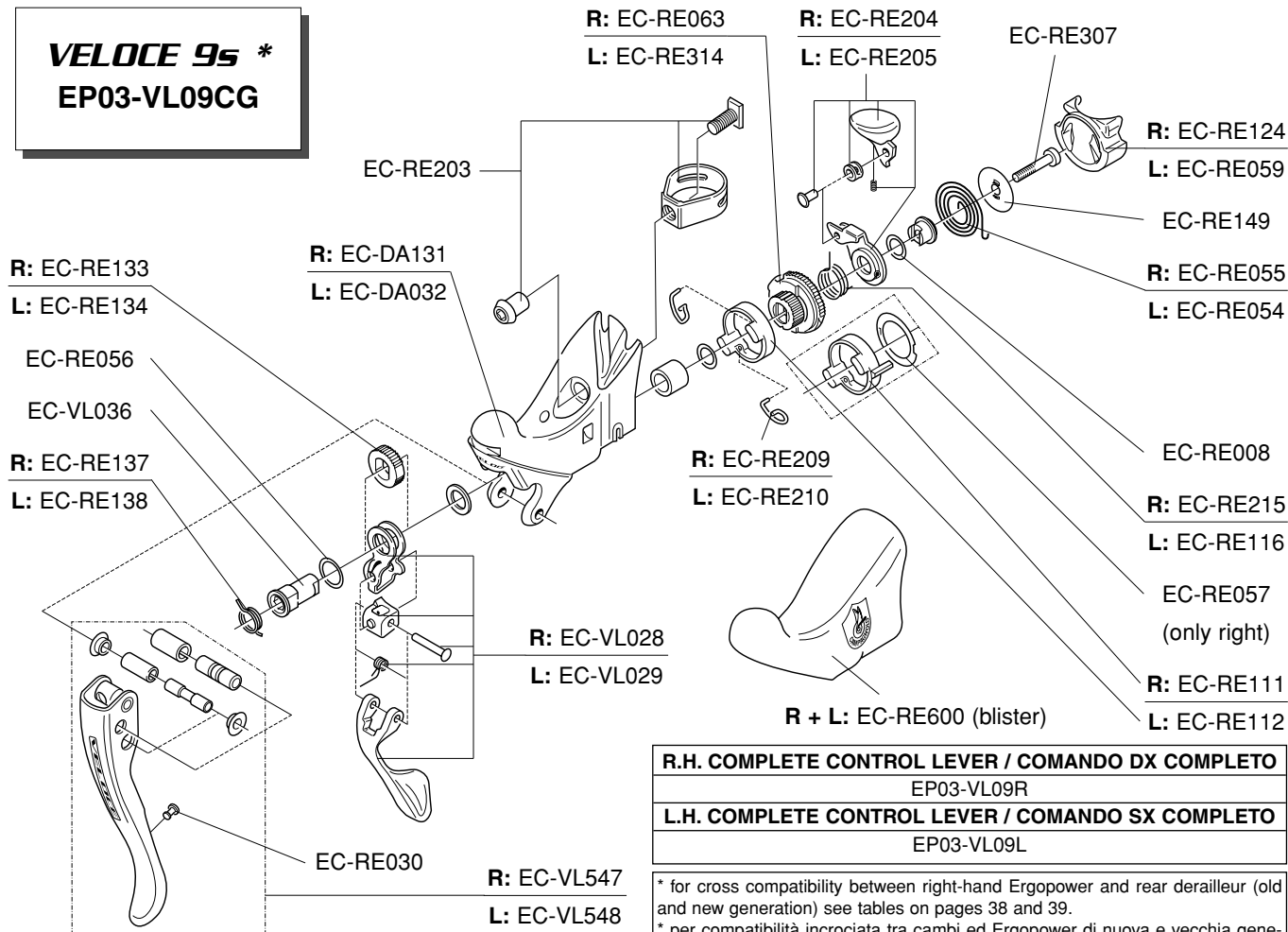


<b>R.H. COMPLETE CONTROL LEVER / COMANDO DX COMPLETO</b>
EP03-CE10R
<b>L.H. COMPLETE CONTROL LEVER / COMANDO SX COMPLETO</b>
EP03-CE10L

\* for cross compatibility between right-hand Ergopower and rear derailleur (old and new generation) see tables on pages 38 and 39.

\* per compatibilità incrociata tra cambi ed Ergopower di nuova e vecchia generazione vedi tabelle alle pagg. 38 e 39.

**VELOCE 9s \***  
**EP03-VL09CG**

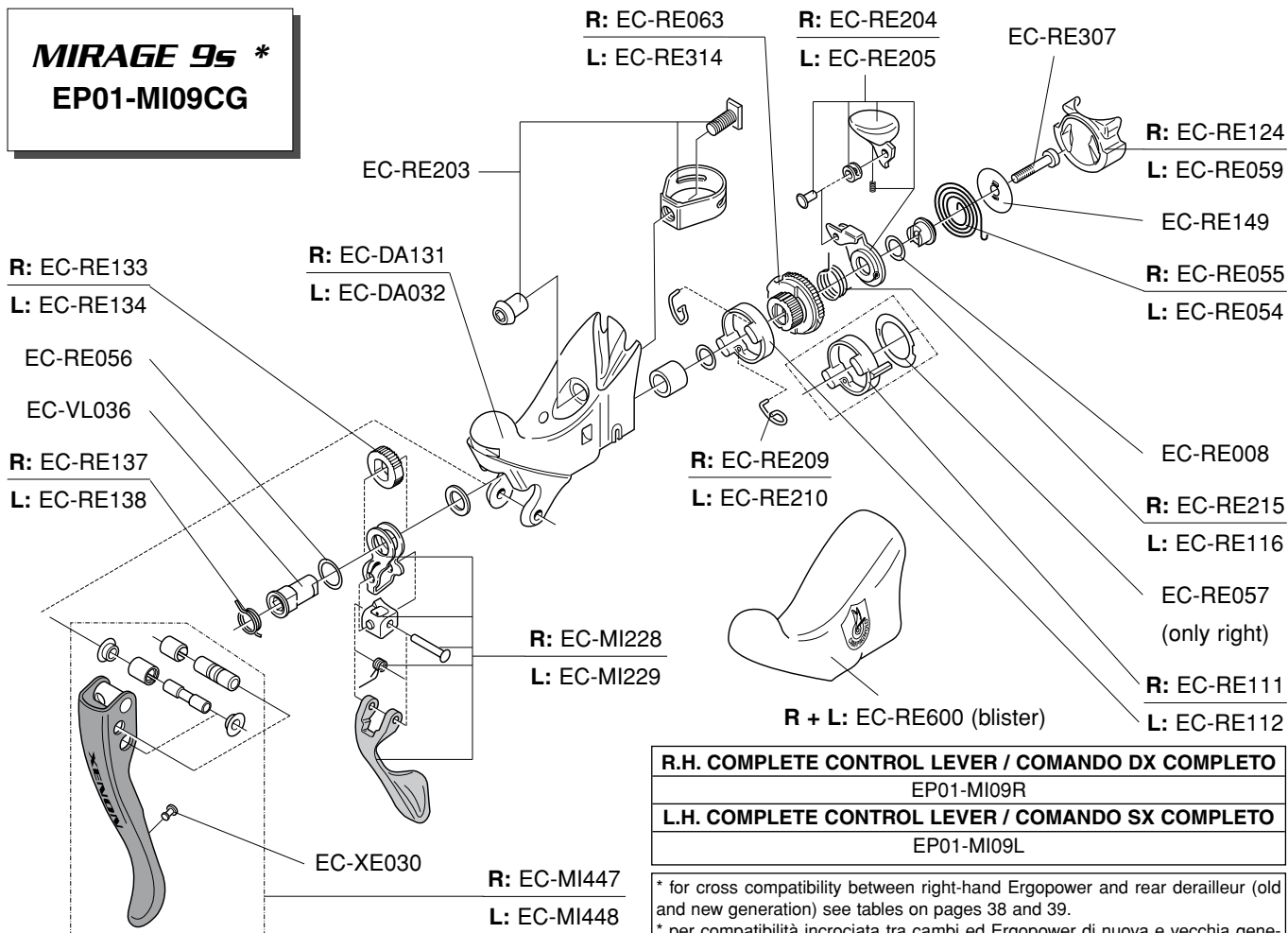


<b>R.H. COMPLETE CONTROL LEVER / COMANDO DX COMPLETO</b>
EP03-VL09R
<b>L.H. COMPLETE CONTROL LEVER / COMANDO SX COMPLETO</b>
EP03-VL09L

\* for cross compatibility between right-hand Ergopower and rear derailleur (old and new generation) see tables on pages 38 and 39.  
\* per compatibilità incrociata tra cambi ed Ergopower di nuova e vecchia generazione vedi tabelle alle pagg. 38 e 39.



**MIRAGE 9s \***  
**EP01-MI09CG**



**R.H. COMPLETE CONTROL LEVER / COMANDO DX COMPLETO**

EP01-MI09R

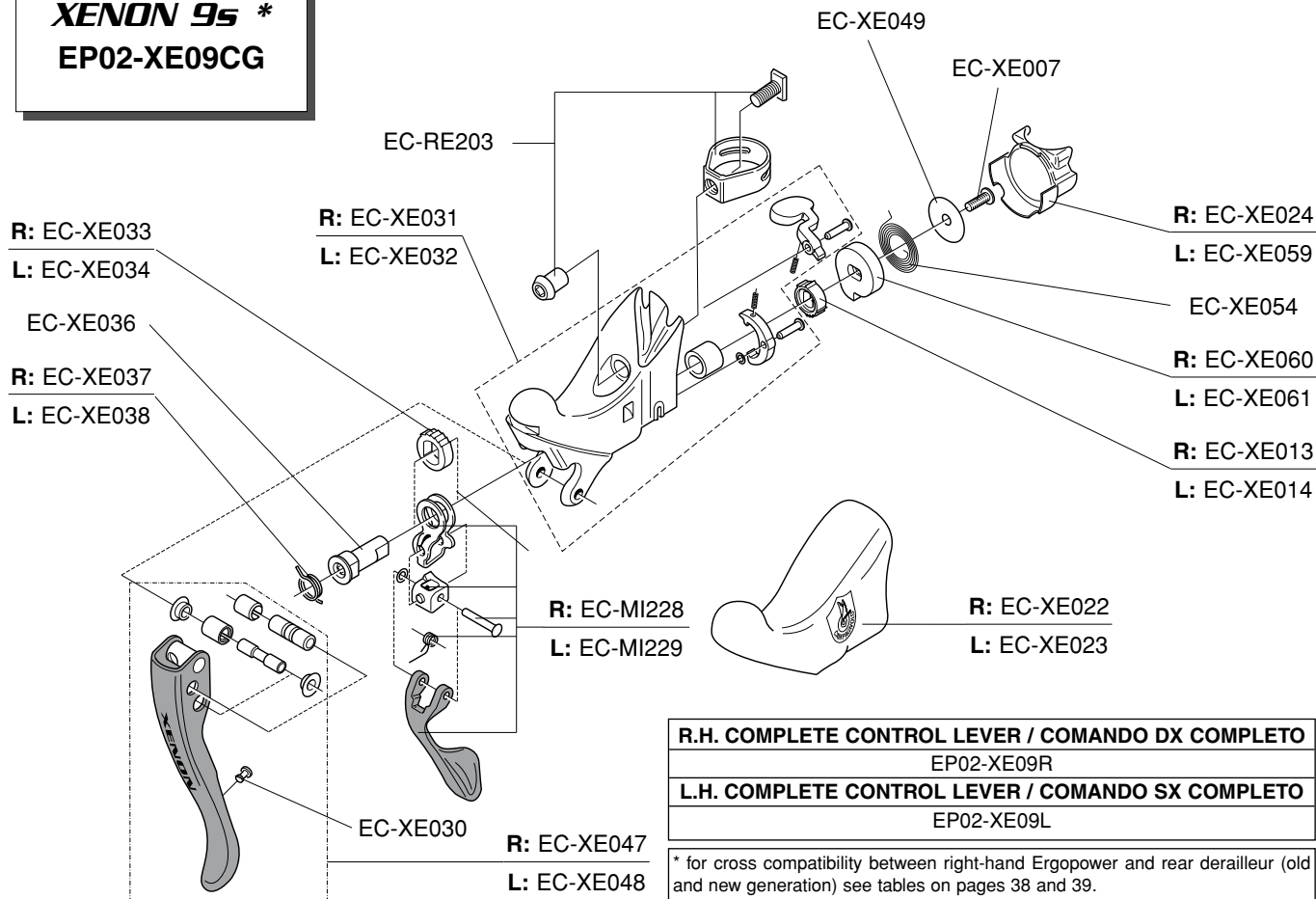
**L.H. COMPLETE CONTROL LEVER / COMANDO SX COMPLETO**

EP01-MI09L

\* for cross compatibility between right-hand Ergopower and rear derailleur (old and new generation) see tables on pages 38 and 39.

\* per compatibilità incrociata tra cambi ed Ergopower di nuova e vecchia generazione vedi tabelle alle pagg. 38 e 39.

**XENON 9s \***  
**EP02-XE09CG**



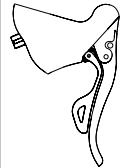
<b>R.H. COMPLETE CONTROL LEVER / COMANDO DX COMPLETO</b>
EP02-XE09R
<b>L.H. COMPLETE CONTROL LEVER / COMANDO SX COMPLETO</b>
EP02-XE09L

\* for cross compatibility between right-hand Ergopower and rear derailleur (old and new generation) see tables on pages 38 and 39.  
\* per compatibilità incrociata tra cambi ed Ergopower di nuova e vecchia generazione vedi tabelle alle pagg. 38 e 39.

## CROSS COMPATIBILITY BETWEEN RIGHT-HAND ERGOPOWERS AND REAR DERAILLEURS (old and new generation)

## COMPATIBILITÀ INCROCIATA TRA ERGOPOWER DX E CAMBI (nuova e vecchia generazione)

### ERGOPOWER

SPEED VELOCITÀ	YEAR ANNO	FEATURES CARATTERISTICHE		
8s	< 1998	“old style” (pointed) body / corpo a punta		OLD STYLE
9s	1997	“old style” (pointed) body / corpo a punta		
9s	1998	“new style” (rounded) body / corpo arrotondato		
9s	1999-2000	“new style” (rounded) body, ErgoBrain computer ready / corpo arrotondato, predisposizione ErgoBrain (pulsantino sul coprisupporto)		NEW STYLE
9s	2001-2002	“9 speed” mark, “new style” (rounded) body, ErgoBrain computer ready / logo “9 speed” sul corpo, corpo arrotondato, predisposizione ErgoBrain (pulsantino sul coprisupporto)		
10s	2000-2003	“10 speed” mark, “new style” (rounded) body, ErgoBrain computer ready / logo “10 speed” sul corpo, corpo arrotondato, predisposizione ErgoBrain (pulsantino sul coprisupporto)		

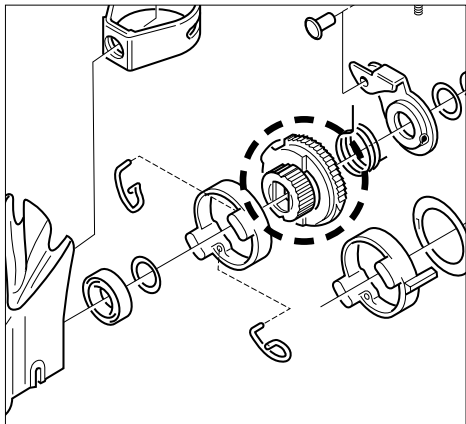
### REAR DERAILLEUR / CAMBIO

SPEED VELOCITÀ	YEAR ANNO	FEATURES CARATTERISTICHE
8s	< 1998	adjusting system on the upper body / sistema di registrazione sul corpo superiore
9s	1997-2000	adjusting system on the upper body / sistema di registrazione sul corpo superiore
9s	2001-2003	adjusting system on the lower body / sistema di registrazione sul corpo inferiore



**CROSS COMPATIBILITY BETWEEN RIGHT-HAND ERGOPOWERS AND REAR DERAILLEURS  
(old and new generation)**

**COMPATIBILITÀ INCROCIATA TRA ERGOPOWER DX E CAMBI  
(nuova e vecchia generazione)**

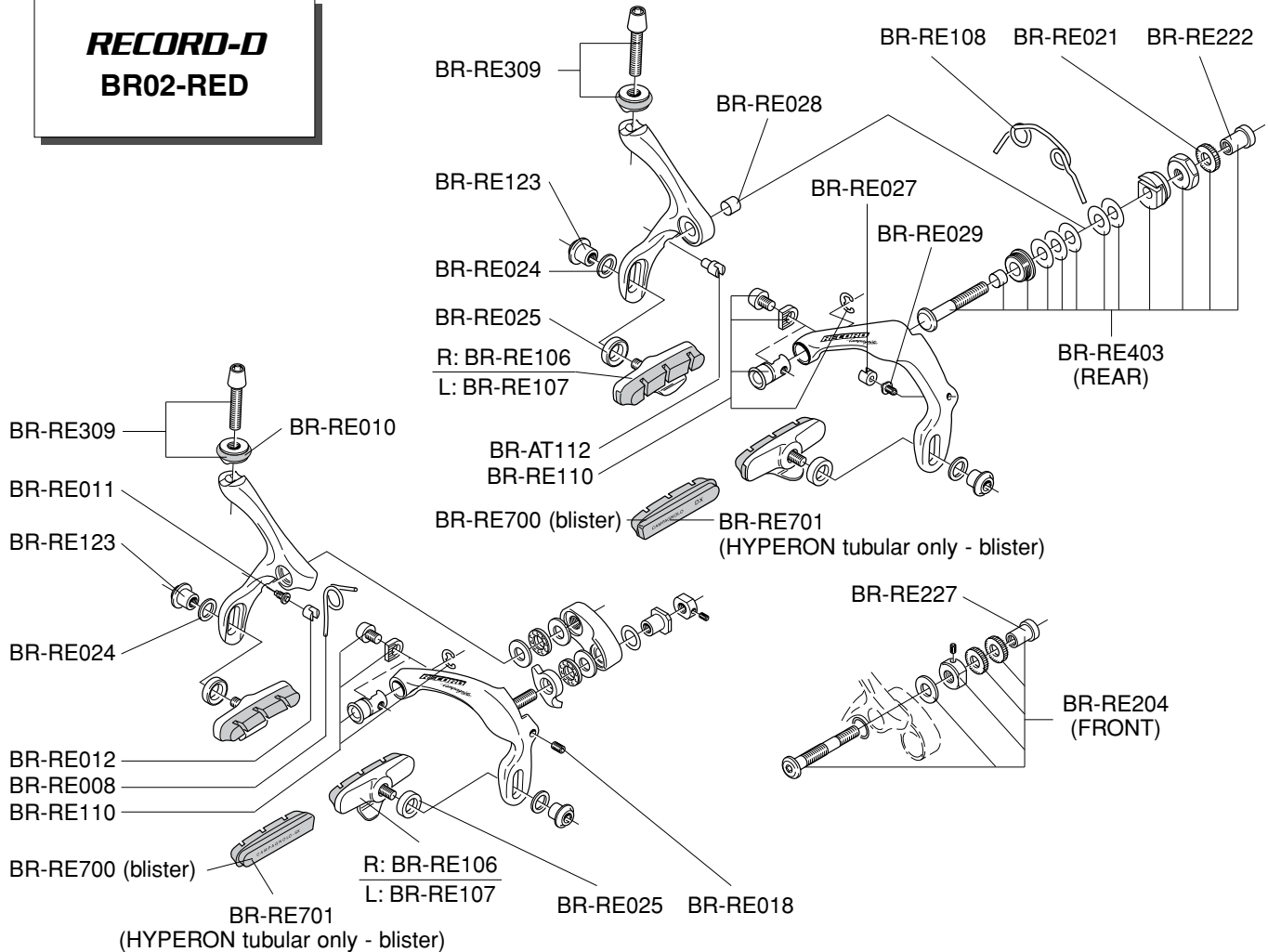


The codes in the table are referring to the indexing ratchet of the right-hand Ergopower (see the figure). To ensure the compatibility between replace the indexing ratchet with the one indicated in the table (referring to the rear derailleur / Ergopower combination).

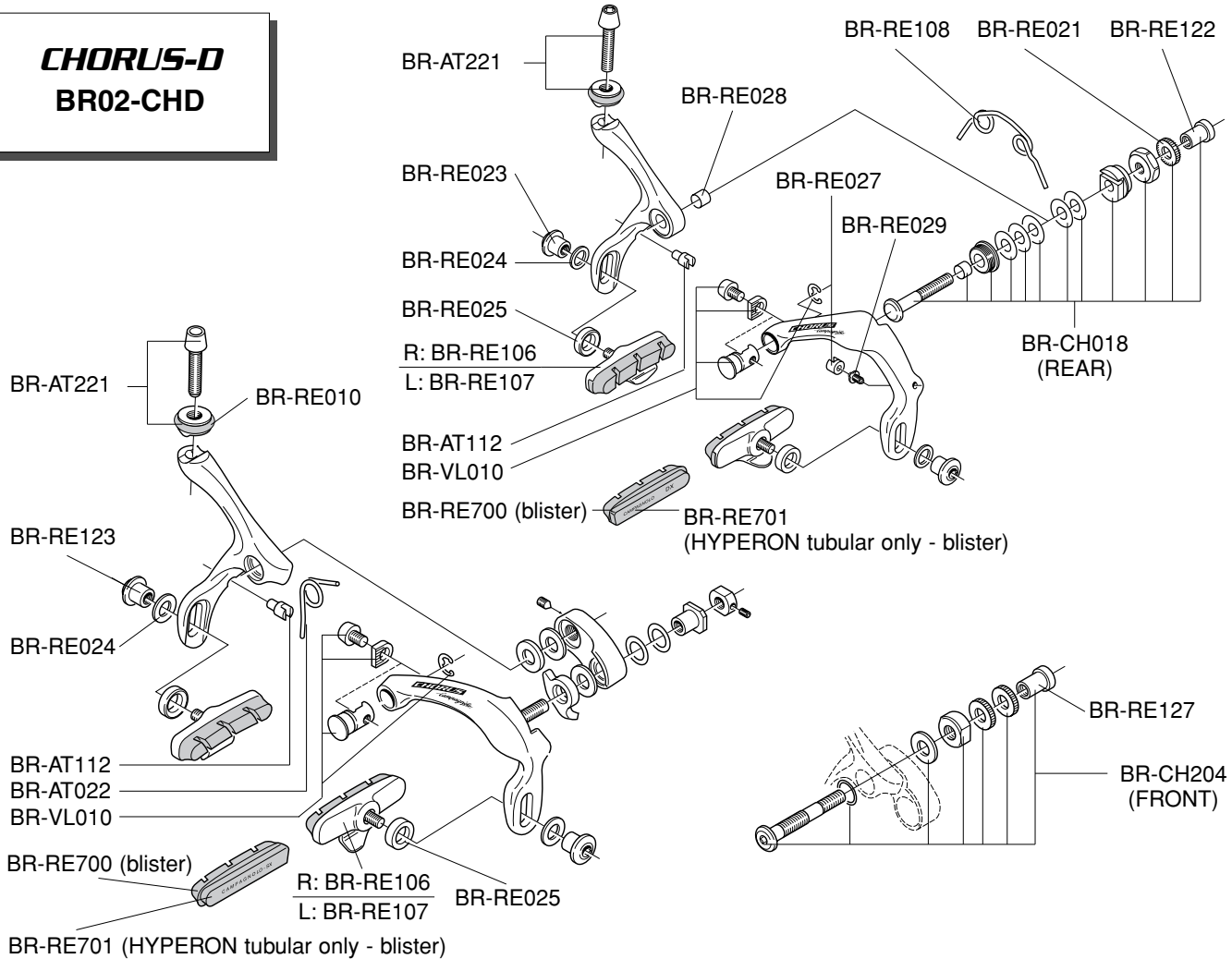
I codici in tabella si riferiscono alla bussola dentata (evidenziata in figura) del comando dx Ergopower: per assicurare la compatibilità tra cambio ed Ergopower destro, va eventualmente sostituita la bussola dentata esistente con quella indicata in tabella (a seconda della combinazione cambio / Ergopower).

	9s 2001-2003 rear derailleur / cambio 9s 2001-2003	9s 1997-2000 rear derailleur / cambio 9s 1997-2000	8s rear derailleur / cambio 8s
<b>Ergopower 8s</b>	<b>OK * (with C9 chain / con catena C9)</b>	<b>OK * (with C9 chain / con catena C9)</b>	<b>OK</b>
<b>Ergopower 9s 1997</b>	<b>EC-RE064</b>	<b>OK</b>	<b>NO</b>
<b>Ergopower 9s 1998</b>	<b>EC-RE064</b>	<b>OK</b>	<b>NO</b>
<b>Ergopower 9s 1999-2000</b>	<b>EC-RE063</b>	<b>OK</b>	<b>EC-RE060</b>
<b>Ergopower 9s 2001-2002</b>	<b>OK</b>	<b>EC-RE313</b>	<b>EC-RE060</b>
<b>Ergopower 10s 2000-2003</b>	<b>EC-RE063</b>	<b>EC-RE313</b>	<b>EC-RE060</b>

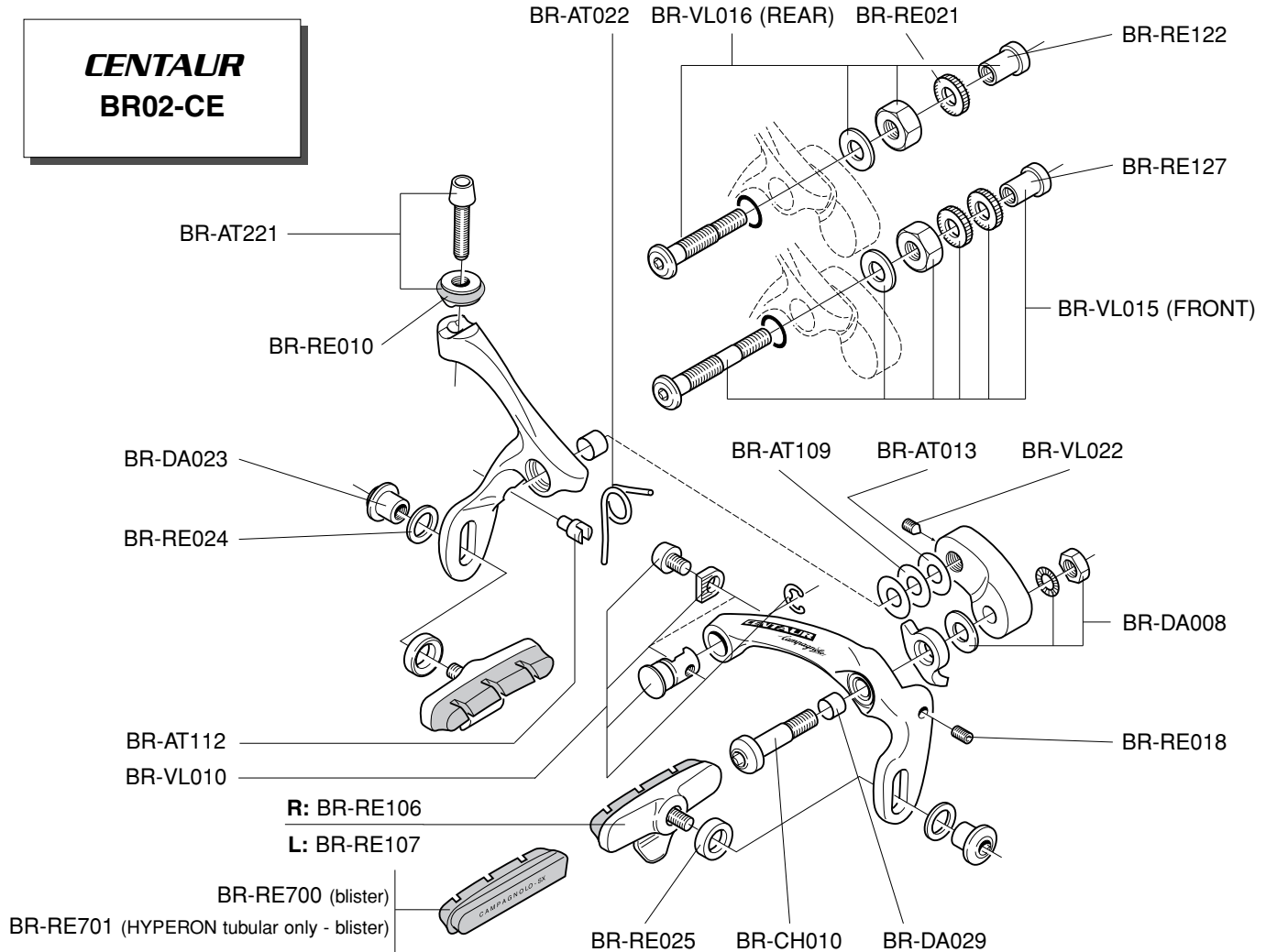
## RECORD-D BR02-RED



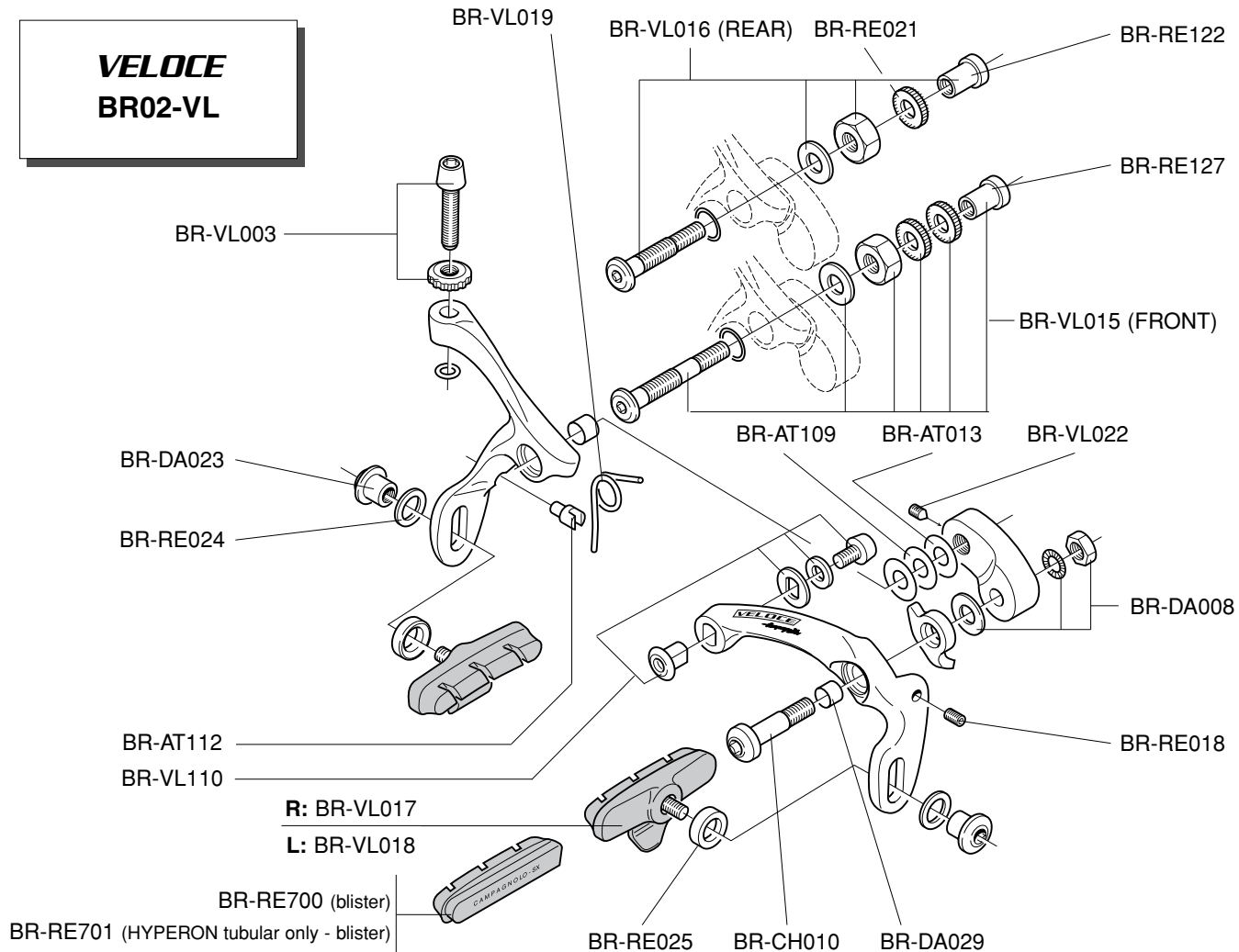
**CHORUS-D**  
**BR02-CHD**



## CENTAUR BR02-CE

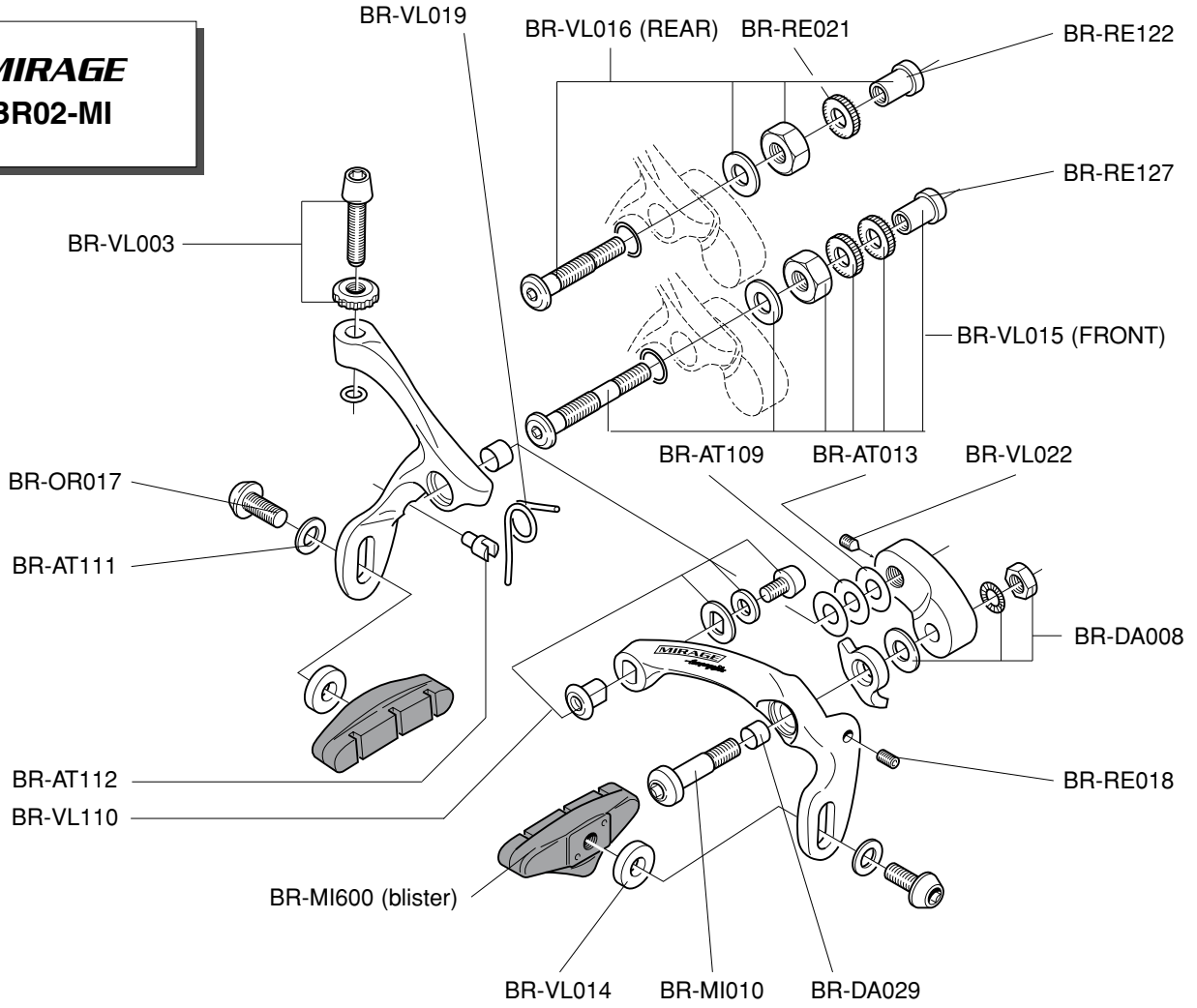


**VELOCE**  
**BR02-VL**

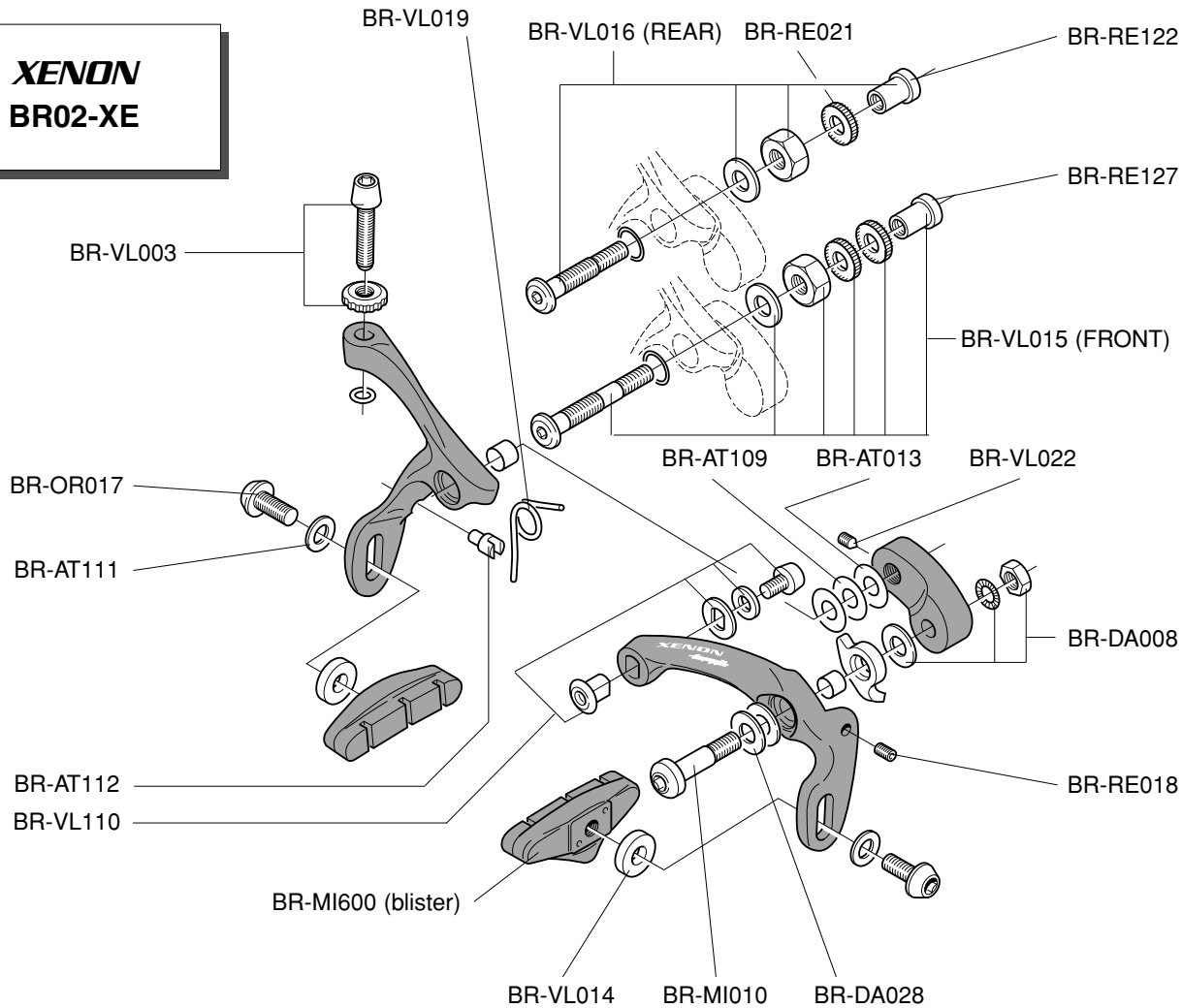




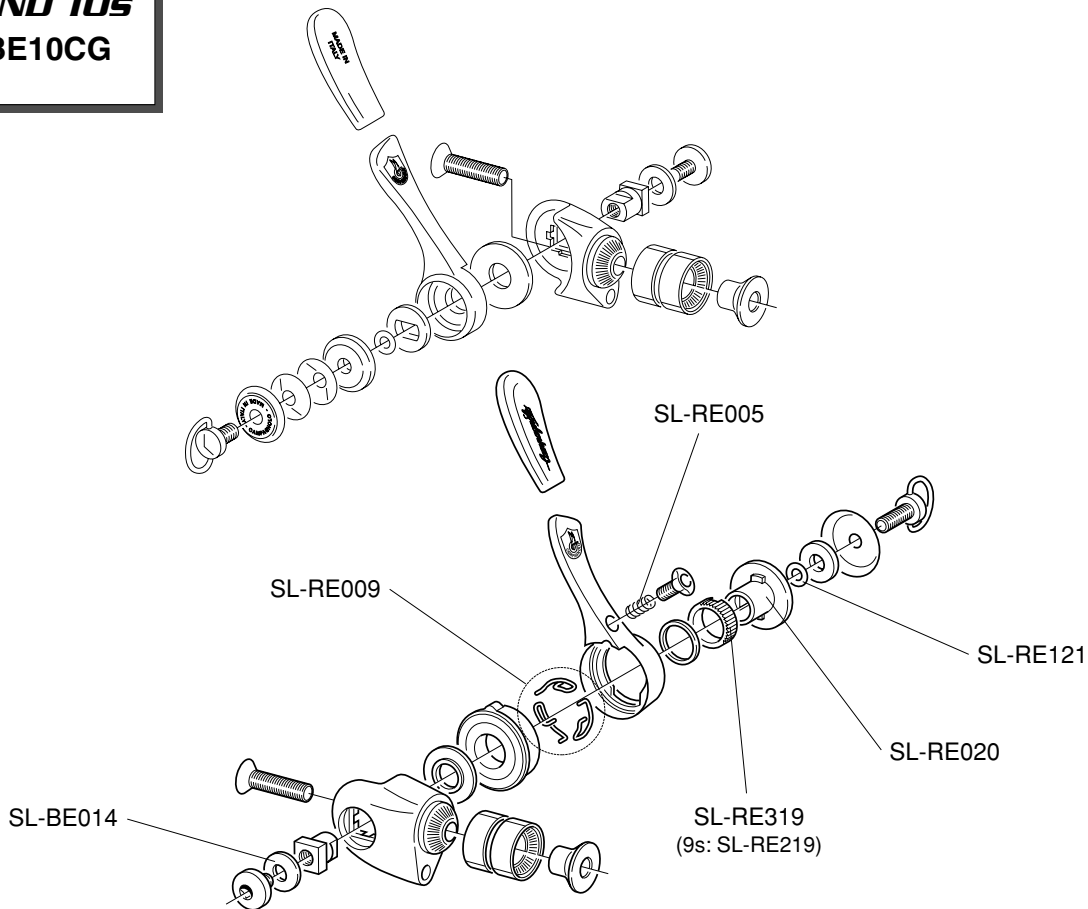
## MIRAGE BR02-MI



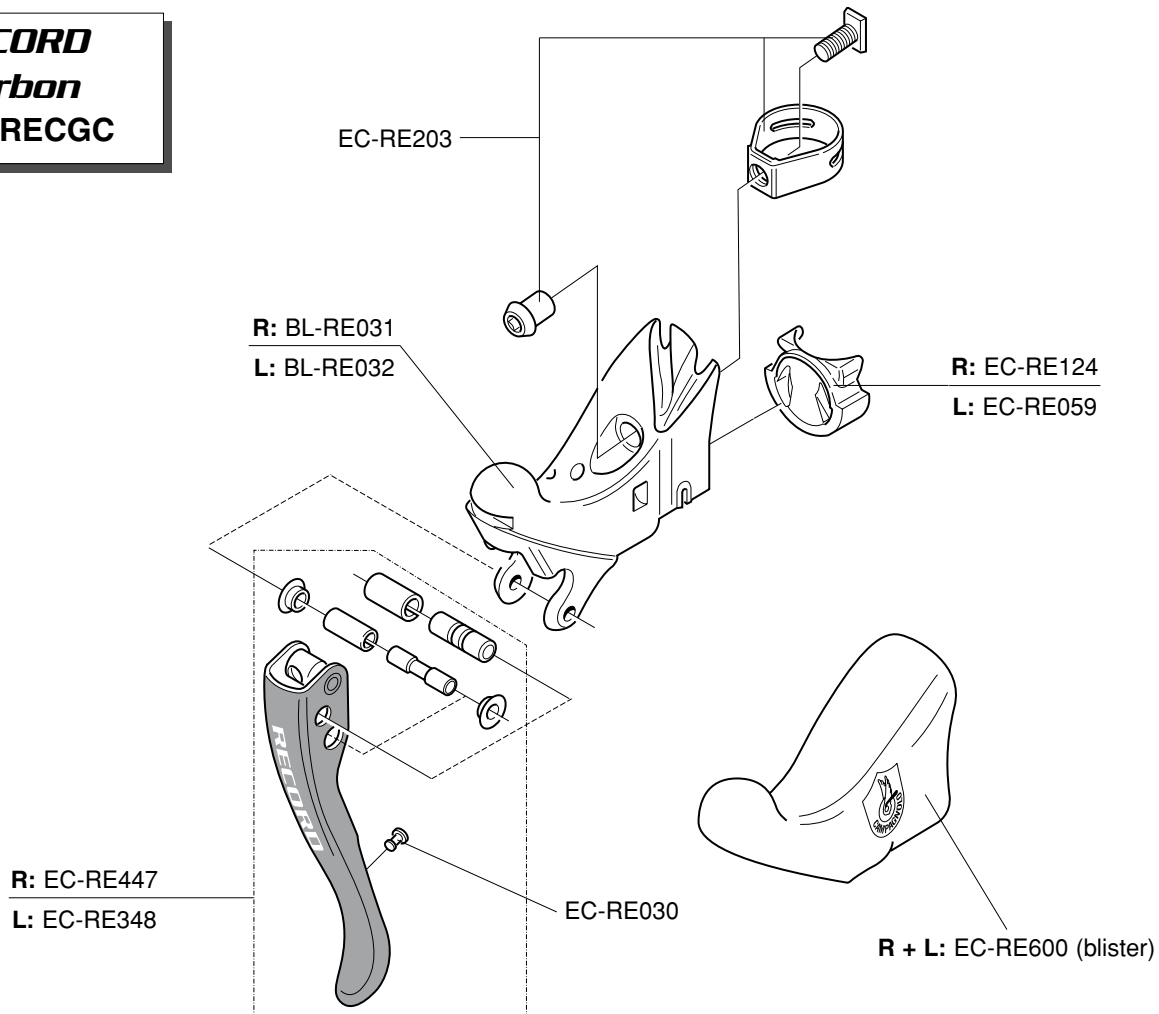
**XENON  
BR02-XE**



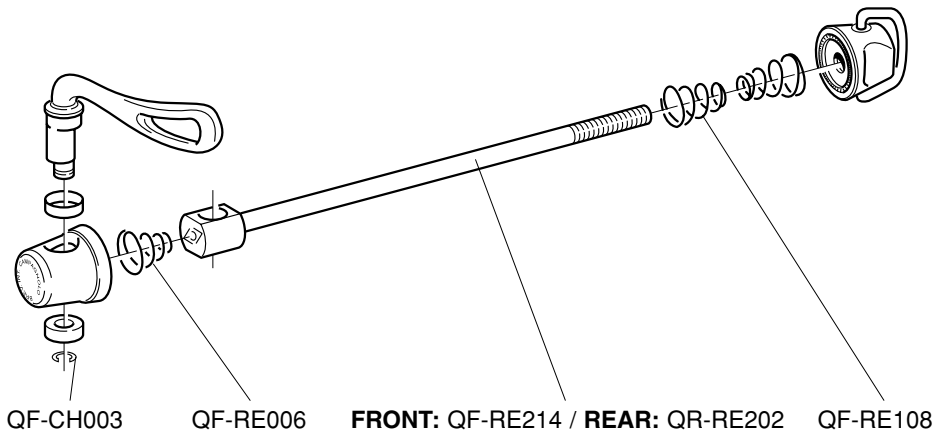
**BAR-END 10s**  
**SL00-BE10CG**



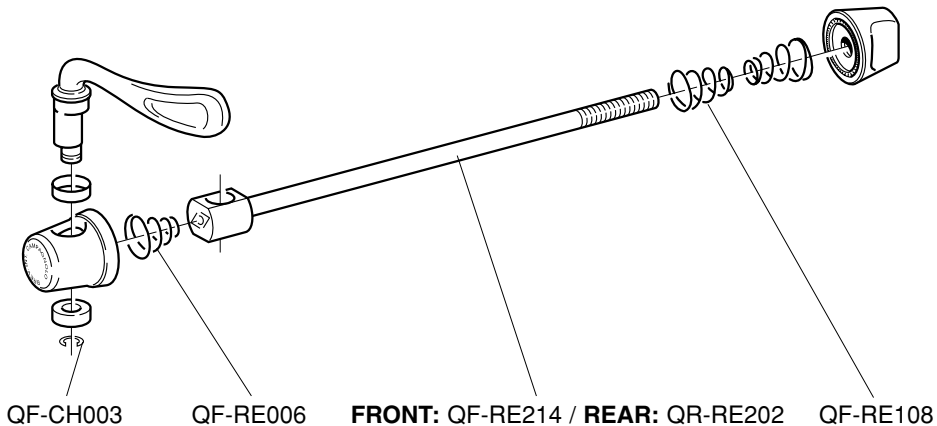
**RECORD**  
*Carbon*  
**BL01-RECGC**



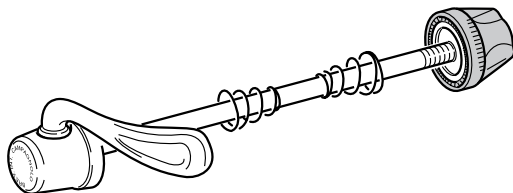
**RECORD**  
**BORA - EURUS - GHIBLI**  
**HYPERON - NEUTRON**  
front: QF-RE121  
rear: QR-RE121



**CHORUS**  
front: QF-CH111  
rear: QR-CH111

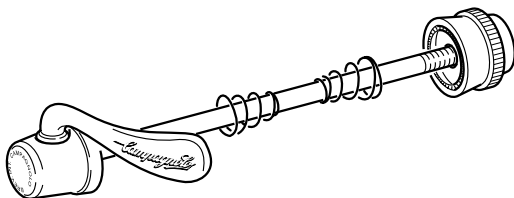


**CENTAUR**  
**PROTON - ZONDA**



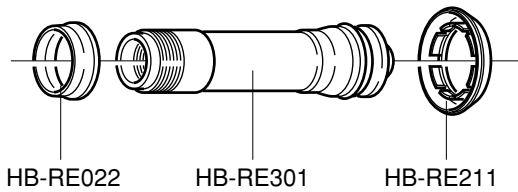
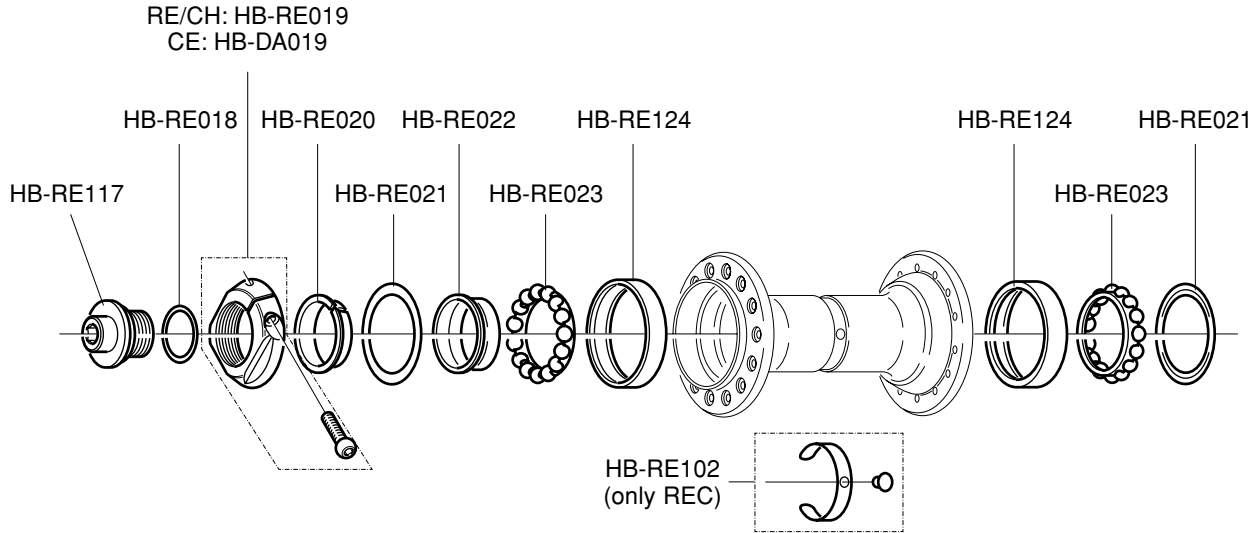
**FRONT: QF-AT101**  
**REAR: QR-AT101**

**VELOCE**  
**SCIROCCO**



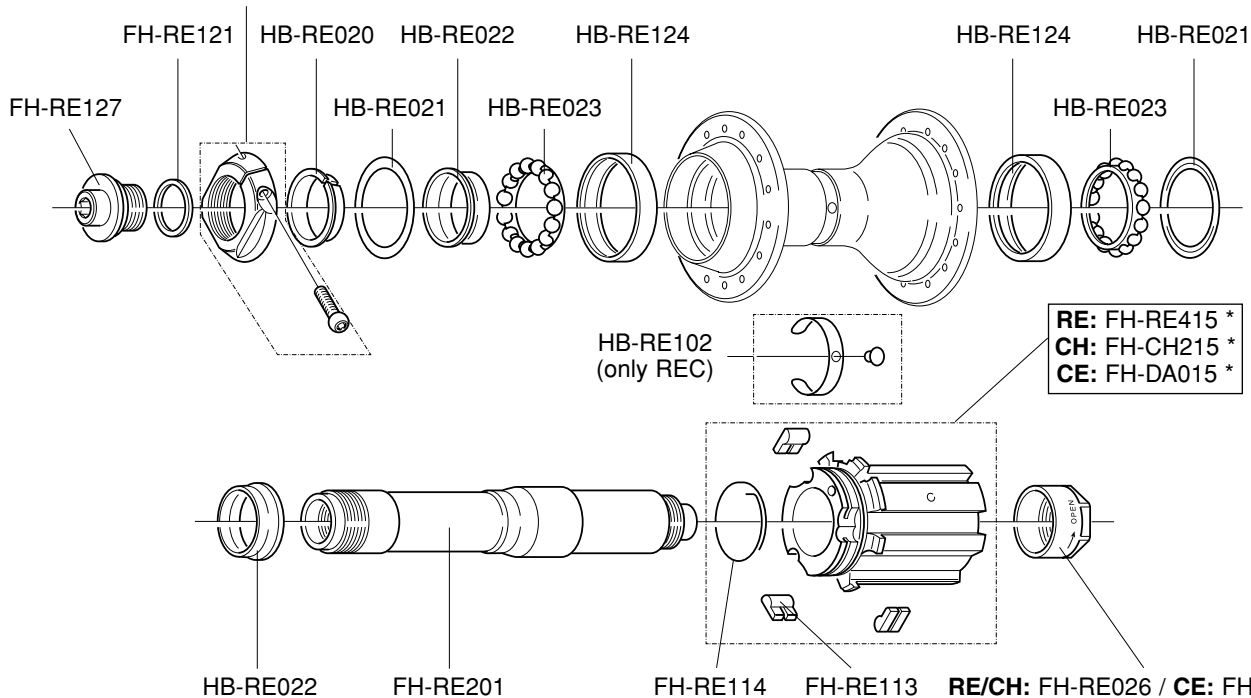
**FRONT: QF-AT101**  
**REAR: QR-AT101**

**RECORD HB02-RE..**  
**CHORUS HB02-CH..**  
**CENTAUR HB02-CE..**



**RECORD 9s/10s FH02-RE..**  
**CHORUS 9s/10s FH02-CH..**  
**CENTAUR 9s/10s FH02-CE..**

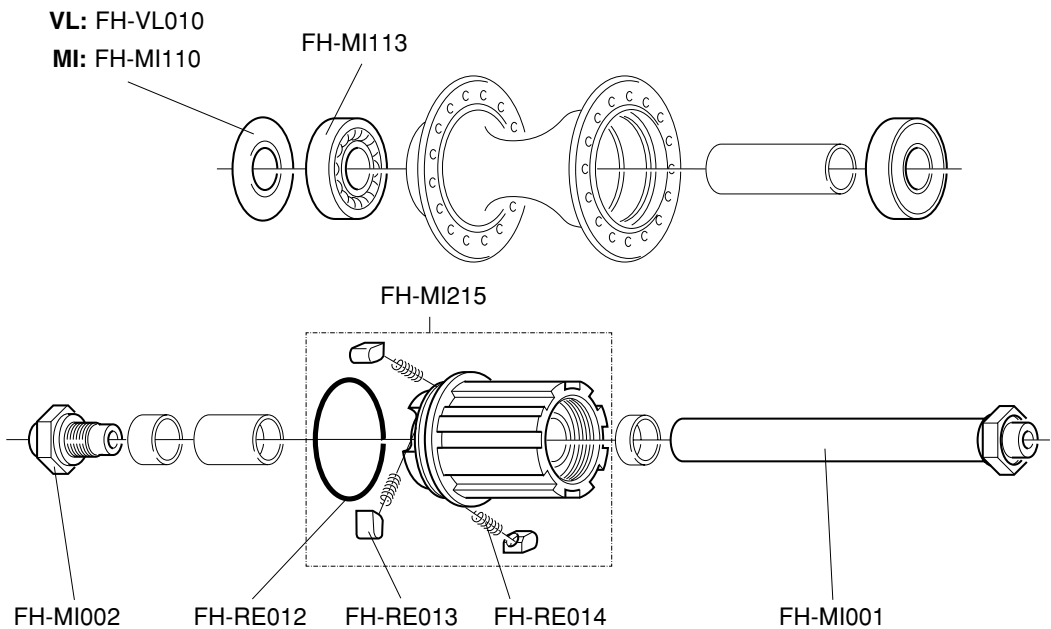
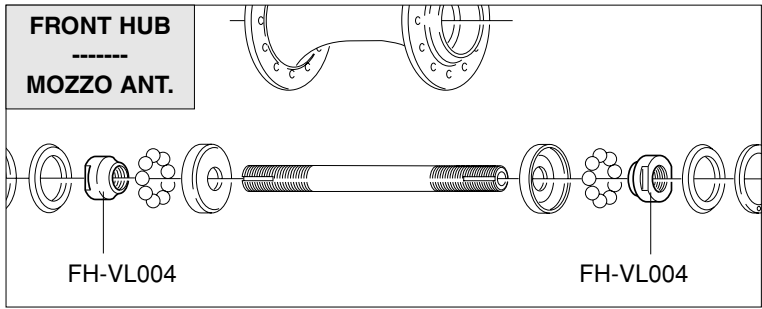
**RE:** FH-RE028  
**CH:** FH-CH025  
**CE:** HB-DA019



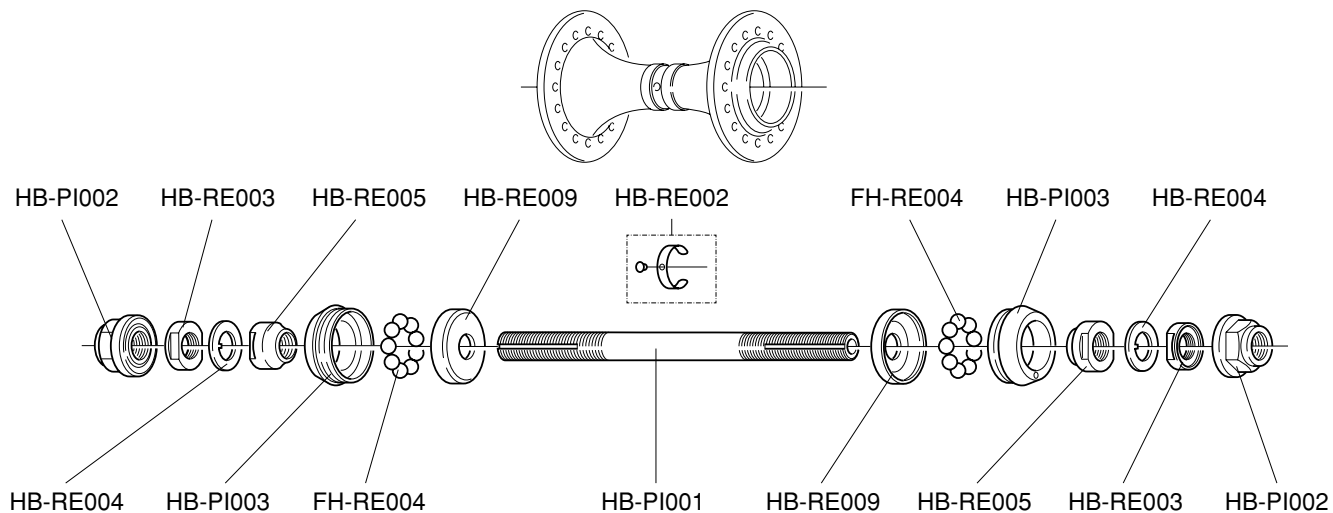
\* HG 8/9 type FW body / corpetto RL tipo HG 8/9: **WH-KX1** (RECORD type) **WH-KX2** (CHORUS type)



**VELOCE 9s FH02-VL..**  
**MIRAGE 9s FH02-MI..**

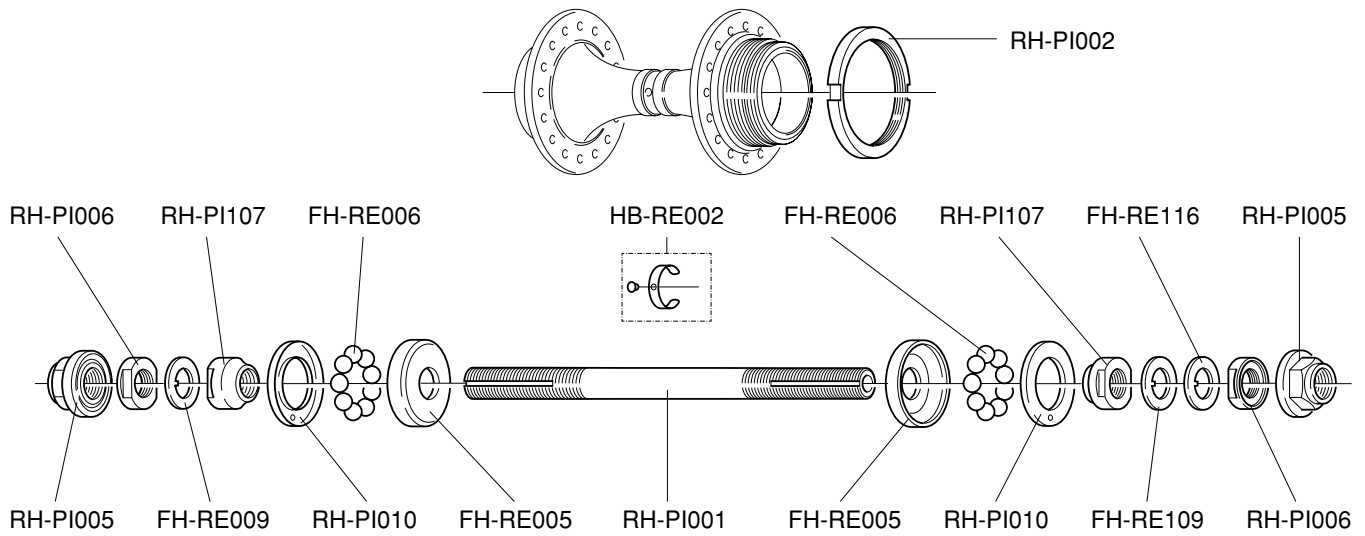


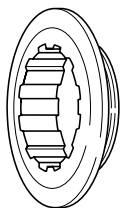
**RECORD PISTA**  
**HB02-REPI..**



**RECORD PISTA**  
**FH02-REPI..**

**REAR HUB**





CODE CODICE	TYPE TIPO	RANGE GAMMA	HUB COMPATIBILITY COMPATIBILITÀ MOZZI	
CS-401	<i>9s / 10s</i> "oversize" thread/fil.: 27 x 1	steel / acciaio	2000 e succ. <b>2000 and following</b>	<b>all groups / tutti i gruppi</b> all wheels / tutte le ruote
			1999	<b>RECORD - CHORUS</b> all wheels / tutte le ruote
CS-501	<i>9s / 10s</i> "oversize" thread/fil.: 27 x 1	steel / acciaio (for Z. 11)	2000 e succ. <b>2000 and following</b>	<b>all groups / tutti i gruppi</b> all wheels / tutte le ruote
			1999	<b>RECORD - CHORUS</b> all wheels / tutte le ruote
CS-101T	<i>9s / 10s</i> "oversize" thread/fil.: 27 x 1	titanium / titanio	2000 e succ. <b>2000 and following</b>	<b>all groups / tutti i gruppi</b> all wheels / tutte le ruote
			1999	<b>RECORD - CHORUS</b> all wheels / tutte le ruote
CS-201	<i>9s</i> thread/fil.: 26 x 1	steel / acciaio	1999	<b>ATHENA - VELOCE - MIRAGE</b>
			1998 / 1997	<b>9s groups / gruppi 9s</b> 9s wheels / ruote 9s
CS-301	<i>9s</i> thread/fil.: 26 x 1	steel / acciaio (for Z. 11)	1999	<b>ATHENA - VELOCE - MIRAGE</b>
			1998 / 1997	<b>9s groups / gruppi 9s</b> 9s wheels / ruote 9s
CS-001T	<i>9s</i> thread/fil.: 26 x 1	titanium / titanio	1999	<b>ATHENA - VELOCE - MIRAGE</b>
			1998 / 1997	<b>9s groups / gruppi 9s</b> 9s wheels / ruote 9s '97 8s aluminum FW body / corpetto RL in alluminio 8s '97
CS-001V	<i>8s</i> thread/fil.: 29 x 1	steel / acciaio	1999 e prec. <b>1999 and previous</b>	<b>all 8s hubs</b> (with steel FW body) <b>tutti i mozzi 8s</b> (con corpetto TL in acciaio)

**RECORD UD 10s**  
**CSK00-RE10..**

**DISTANZIALI / SPACERS**

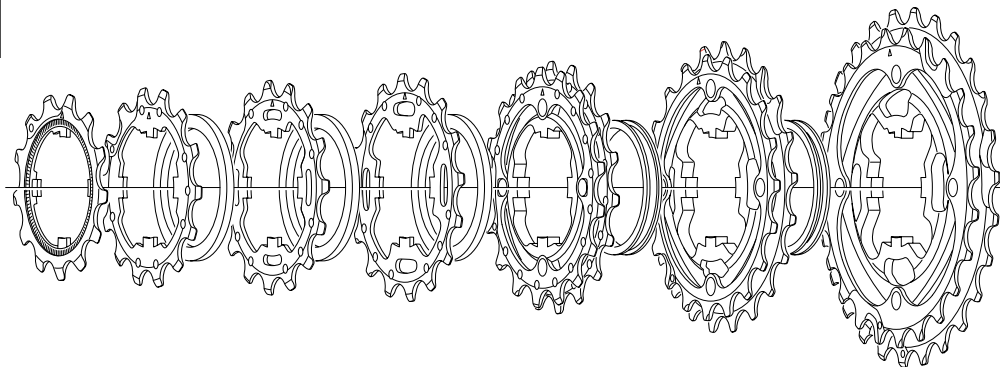
**F** = CS-601

**G** = CS-602

**H** = CS-603

**I** = CS-604

**L** = CS-605



11 - 21	<b>11A-1°</b> 9S-011	<b>12A-2°</b> 10S-022		<b>13A</b> 10S-131	<b>F</b>	<b>14A</b> 10S-141	<b>F</b>	<b>15A</b> 10S-151	<b>F</b>	<b>16A</b> 10S-161	<b>G</b>	<b>17A-18C*</b> 10S-78CT	<b>H</b>	<b>19C-21C*</b> 10S-91CT
11 - 23	<b>11A-1°</b> 9S-011	<b>12A-2°</b> 10S-022		<b>13A</b> 10S-131	<b>F</b>	<b>14A</b> 10S-141	<b>F</b>	<b>15A</b> 10S-151	<b>F</b>	<b>16A</b> 10S-161	<b>G</b>	<b>17A-19A*</b> 10S-79AT	<b>H</b>	<b>21A-23A*</b> 10S-13AT
12 - 25	<b>12A-1°</b> 10S-012	<b>13A</b> 10S-131	<b>F</b>	<b>14A</b> 10S-141	<b>F</b>	<b>15A</b> 10S-151	<b>F</b>	<b>16A-17A*</b> 10S-67A	<b>I</b>	<b>19A-21A*</b> 10S-91AT	<b>L</b>	<b>23A-25A*</b> 10S-35AT		
13 - 26	<b>13A-1°</b> 10S-013	<b>14A</b> 10S-141	<b>F</b>	<b>15A</b> 10S-151	<b>F</b>	<b>16A</b> 10S-161	<b>F</b>	<b>17A-18C*</b> 10S-78C	<b>I</b>	<b>19C-21C*</b> 10S-91CT	<b>L</b>	<b>23C-26C*</b> 10S-36CT		
13 - 29	<b>13A-1°</b> 10S-013	<b>14A</b> 10S-141	<b>F</b>	<b>15A</b> 10S-151	<b>F</b>	<b>16A</b> 10S-161	<b>F</b>	<b>17A-19A*</b> 10S-79A	<b>I</b>	<b>21A-23A*</b> 10S-13AT	<b>L</b>	<b>26A-29A*</b> 10S-69AT		

\* pre-assembled

**RECORD UD  
TITANIUM 10s  
CSK00-RE10..T**

**DISTANZIALI / SPACERS**

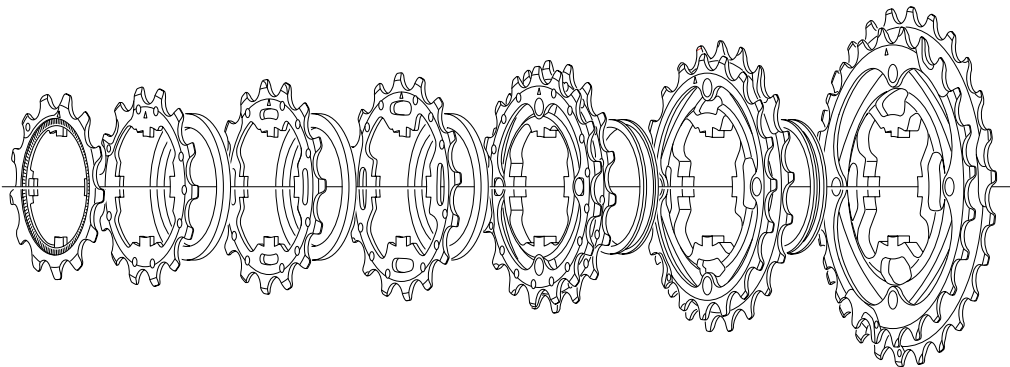
**F** = CS-601

**G** = CS-602

**H** = CS-603

**I** = CS-604

**L** = CS-605



11 - 23	11A-1° 9S-011	12A-2° 10S-022T		13A 10S-131T	F	14A 10S-141T	F	15A 10S-151T	F	16A 10S-161T	G	17A-19A* 10S-79AT	H	21A-23A* 10S-13AT
12 - 25	12A-1° 10S-012T	13A 10S-131T	F	14A 10S-141T	F	15A 10S-151T	F	16A-17A* 10S-67AT	I	19A-21A* 10S-91AT	L	23A-25A* 10S-35AT		
13 - 26	13A-1° 10S-013T	14A 10S-141T	F	15A 10S-151T	F	16A 10S-161T	F	17A-18C* 10S-78CT	I	19C-21C* 10S-91CT	L	23C-26C* 10S-36CT		

\* pre-assembled

**CHORUS UD 10s**  
**CSK00-CH10..**

**DISTANZIALI / SPACERS**

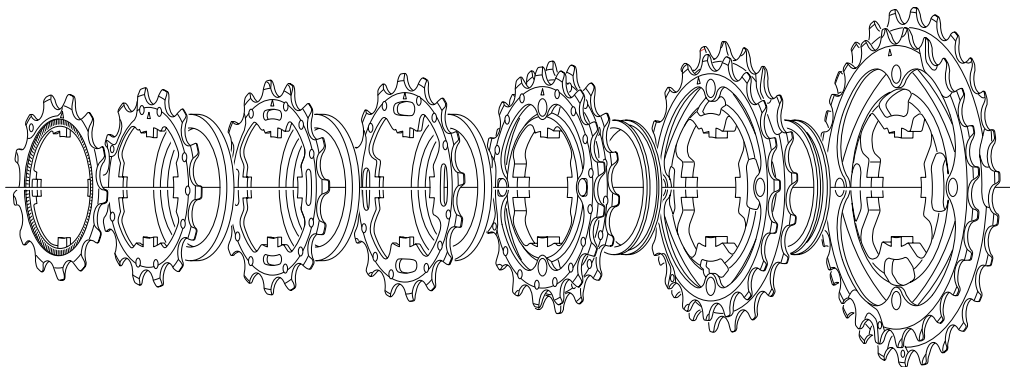
**F** = CS-601

**G** = CS-602

**H** = CS-603

**I** = CS-604

**L** = CS-605



11 - 23	11A-1° 9S-011	12A-2° 10S-022		13A 10S-131	F	14A 10S-141	F	15A 10S-151	F	16A 10S-161	G	17A-19A* 10S-79A	H	21A-23A* 10S-13A
12 - 25	12A-1° 10S-012	13A 10S-131	F	14A 10S-141	F	15A 10S-151	F	16A-17A* 10S-67A	I	19A-21A* 10S-91A	L	23A-25A* 10S-35A		
13 - 26	13A-1° 10S-013	14A 10S-141	F	15A 10S-151	F	16A 10S-161	F	17A-18C* 10S-78C	I	19C-21C* 10S-91C	L	23C-26C* 10S-36C		
13 - 29	13A-1° 10S-013	14A 10S-141	F	15A 10S-151	F	16A 10S-161	F	17A-19A* 10S-79A	I	21A-23A* 10S-13A	L	26A-29A* 10S-69A		

\* pre-assembled

**CENTAUR UD 10s**  
**CS02-CE10..**

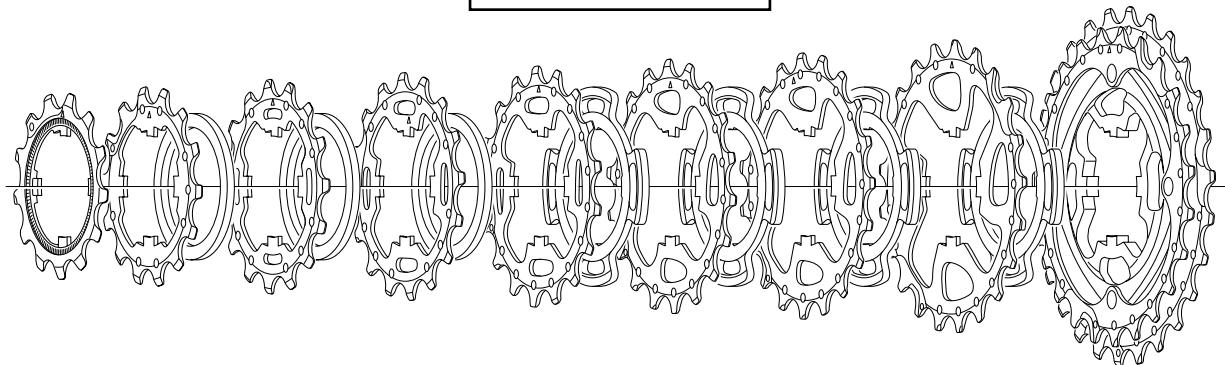
**DISTANZIALI / SPACERS**

F = CS-601

G = CS-602

M = CS-606

N = CS-607



11 - 23	11A-1° 9S-011	12A-2° 10S-022		13A 10S-131	F	14A 10S-141	F	15A 10S-151	F	16A 10S-161	G	17A 10S-171	N	19A 10S-191	M	21A-23A* 10S-13A
12 - 25	12A-1° 9S-113	13A 10S-131	F	14A 10S-141	F	15A 10S-151	F	16A 10S-161	F	17A 10S-171	N	19A 10S-191	N	21A 10S-211	M	23A-25A* 10S-35A
13 - 26	13A-1° 10S-013	14A 10S-141	F	15A 10S-151	F	16A 10S-161	F	17A 10S-171	N	18C 10S-183	N	19C 10S-193	N	21C 10S-213	M	23C-26C* 10S-36C
13 - 29	13A-1° 10S-013	14A 10S-141	F	15A 10S-151	F	16A 10S-161	F	17A 10S-171	N	19A 10S-191	N	21A 10S-211	N	23A 10S-231	M	26A-29A* 10S-69A

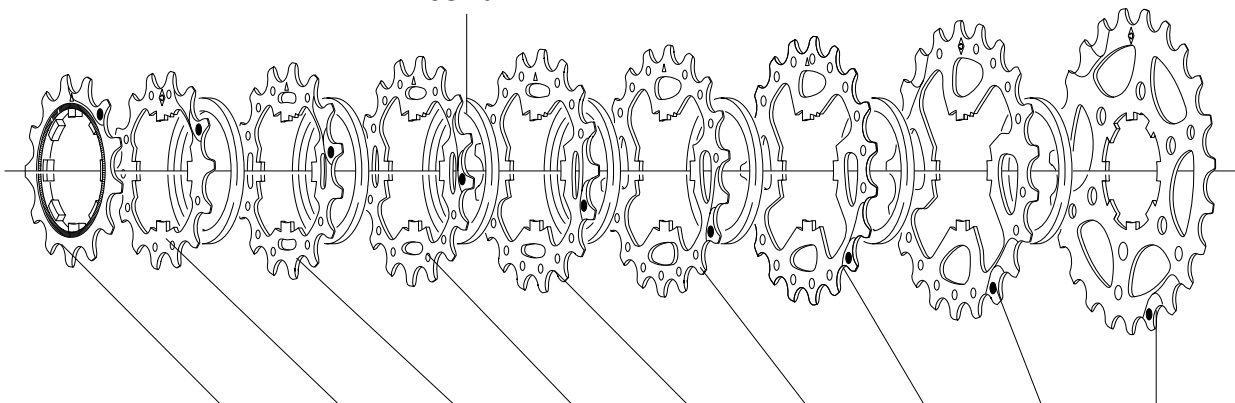
\* pre-assembled



**VELOCE UD 9s**  
CS01-EC09..

**MIRAGE UD 9s compatible**

CS-102



<b>12 - 23</b>	<b>12A-1°</b> 9S-113	<b>13A</b> 9S-131	<b>14A</b> 9S-141	<b>15A</b> 9S-151	<b>16A</b> 9S-161	<b>17A</b> 9S-171	<b>19A</b> 9S-191	<b>21A</b> 9S-211	<b>23A</b> 9S-231
<b>13 - 23</b>	<b>13A-1°</b> 9S-114	<b>14A</b> 9S-141	<b>15A</b> 9S-151	<b>16A</b> 9S-161	<b>17A</b> 9S-171	<b>18C</b> 9S-183	<b>19C</b> 9S-193	<b>21C</b> 9S-213	<b>23C</b> 9S-233
<b>13 - 26</b>	<b>13A-1°</b> 9S-114	<b>14A</b> 9S-141	<b>15A</b> 9S-151	<b>16A</b> 9S-161	<b>17A</b> 9S-171	<b>19A</b> 9S-191	<b>21A</b> 9S-211	<b>23A</b> 9S-231	<b>26A</b> 9S-261
<b>13 - 28</b>	<b>13B-1°</b> 9S-015	<b>14B</b> 9S-142	<b>15B</b> 9S-152	<b>17B</b> 9S-172	<b>19A</b> 9S-191	<b>21A</b> 9S-211	<b>23A</b> 9S-231	<b>25A</b> 9S-251	<b>28A</b> 9S-281
<b>14 - 28</b>	<b>14A-1°</b> 9S-016	<b>15A</b> 9S-151	<b>16A</b> 9S-161	<b>17A</b> 9S-171	<b>19A</b> 9S-191	<b>21A</b> 9S-211	<b>23A</b> 9S-231	<b>25A</b> 9S-251	<b>28A</b> 9S-281

**RECORD**  
**PRO-FIT PLUS**  
 PD01-RE

**CHORUS**  
**PRO-FIT PLUS**  
 PD01-CH

**CENTAUR**  
**PRO-FIT PLUS**  
 PD02-CE

<b>RECORD</b>	R	PD-RE303
	L	PD-RE304

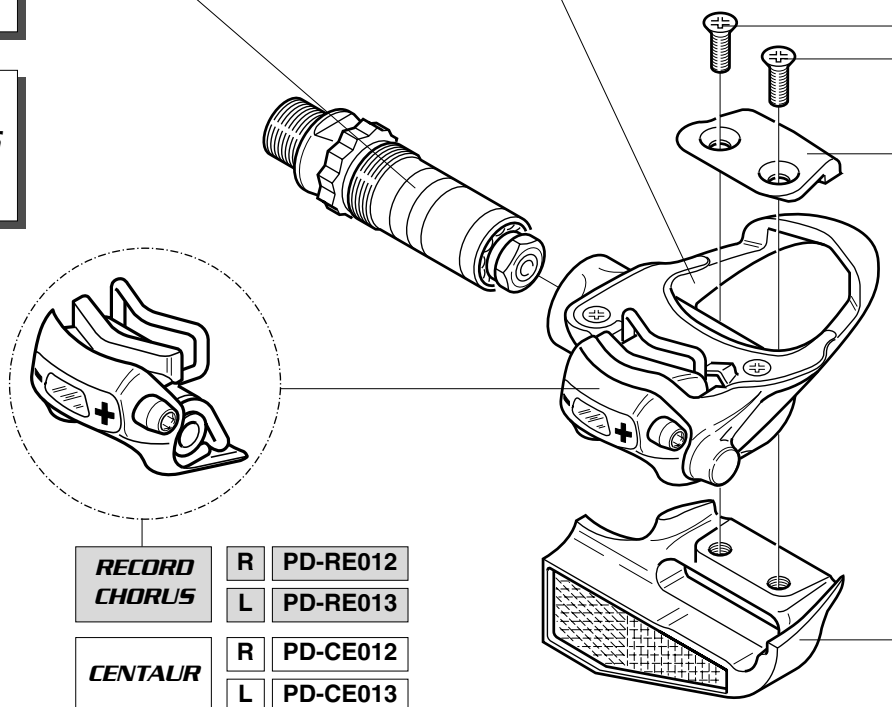
<b>CHORUS</b>	R	PD-CH303
	L	PD-CH304

<b>CENTAUR</b>	R	PD-DA003
	L	PD-DA004

<b>RECORD</b>	R	PD-RE301
	L	PD-RE302

<b>CHORUS</b>	R	PD-CH301
	L	PD-CH302

<b>CENTAUR</b>	R	PD-CE001
	L	PD-CE002



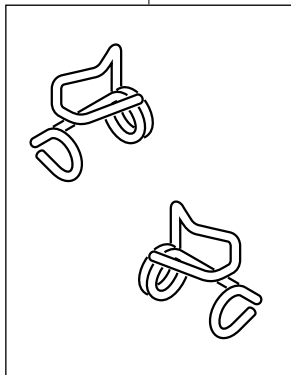
PD-RE108  
 (2 pcs.)

<b>RECORD</b>	R	PD-RE012
	L	PD-RE013

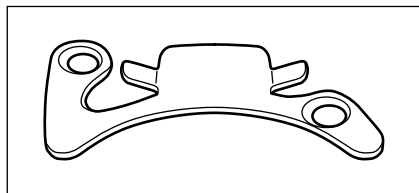
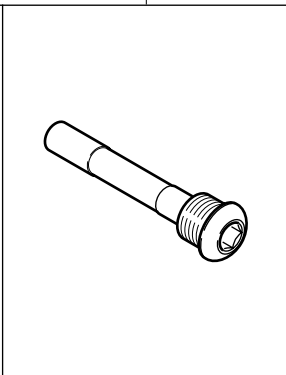
<b>CENTAUR</b>	R	PD-CE012
	L	PD-CE013

**PRO-FIT /  
PRO-FIT PLUS  
SPARE PARTS**

R + L: PD-RE105

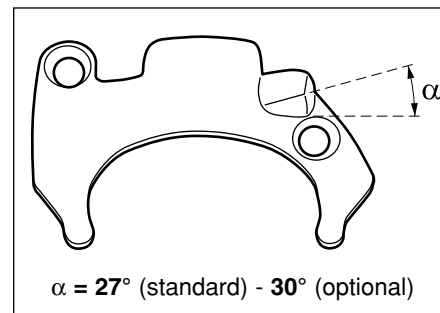
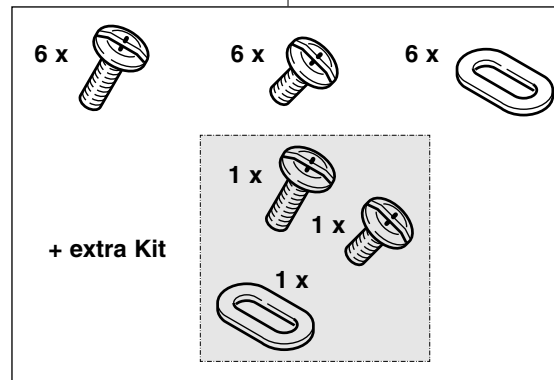


PD-RE107



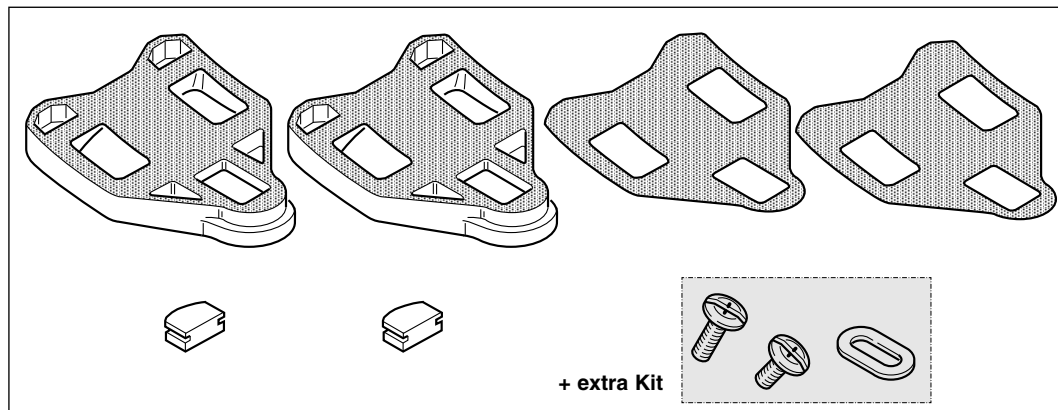
**PRO-FIT**  
**PD-RE111**

PD-RE116 (blister)



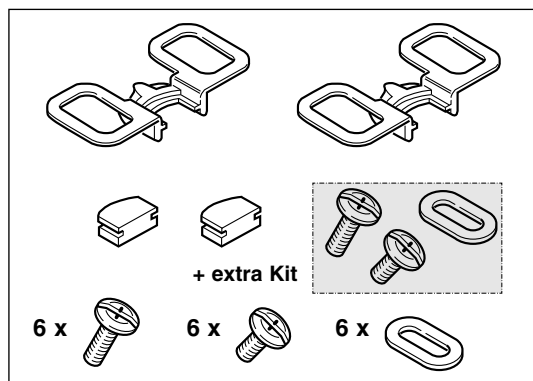
**PRO-FIT PLUS**  
**PD-RE110:** standard -  $27^\circ$   
**PD-RE109:** HRE - optional -  $30^\circ$

**PRO-FIT /  
PRO-FIT PLUS  
SPARE PARTS**



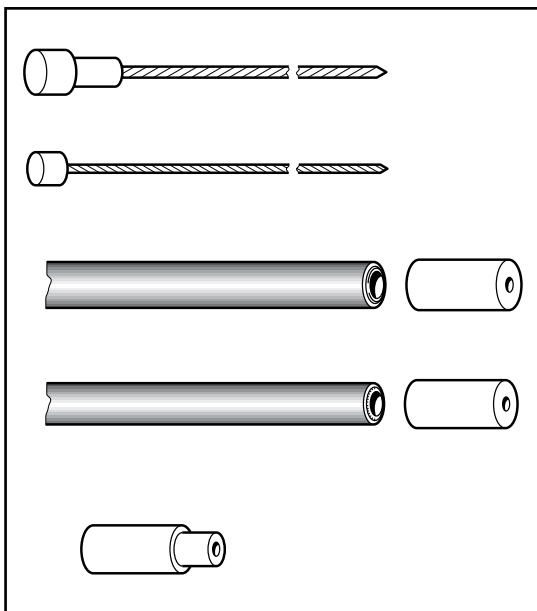
**FLOATING CLEATS  
PD-RE020  
(blister)**

**FIXED CLEATS  
PD-RE021  
(blister)**



**PD-RE200 (blister)**




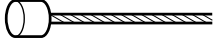



## CABLES & CASINGS complete sets



<b>ERGOPOWER</b>	CG-ER500 *	
<b>TRADITIONAL</b>	<b>Brakes</b>	CG-BR201
	<b>Derailleurs</b>	CG-DD101

\* blister-packed (incl. brake housing ferrules) / in conf. blister (incl. capi guaina)

## CABLES & CASINGS SPARE PARTS

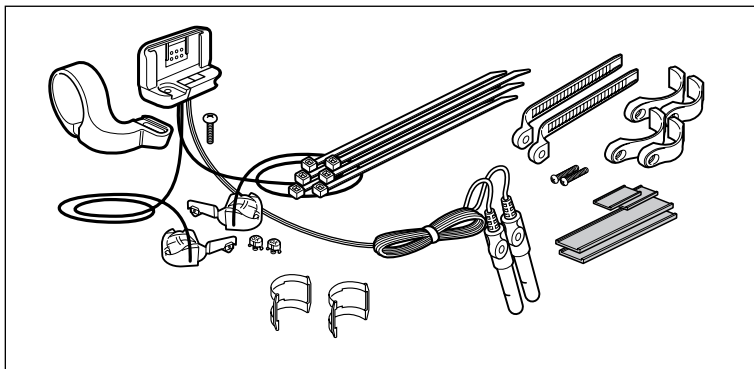
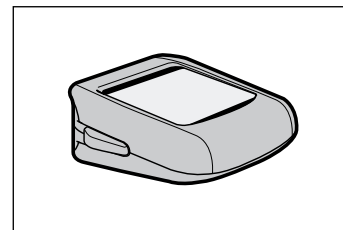
		FRONT	REAR	
<b>BRAKES</b>		Ø 1,6 mm L. 800 mm <b>CG-CB003</b>	Ø 1,6 mm L. 1600 mm <b>CG-CB013</b>	
		Ø 5 mm L. 580 mm <b>CG-CS014</b>	Ø 5 mm L. 1250 mm <b>CG-CS002</b>	
		Ø 6 mm <b>CG-CS011</b> (not sealed / senza guarnizione)		
<b>DERAILLEURS</b>	 Ø 1,2 mm	ERGOPOWER	L. 1600	<b>CG-CB014</b>
		ERGOPOWER	L. 2000	<b>CG-CB009</b>
		SHIFTING LEVERS	L. 830	<b>CG-CB011</b>
		SHIFTING LEVERS	L. 1600	<b>CG-CB014</b>
	 Ø 4,5 mm	ERGOPOWER	L. 680	<b>CG-CS015</b>
		ERGOPOWER	L. 330	<b>CG-CS008</b>
		Ø 5,7 mm <b>CG-CS012</b> (sealed / con guarnizione)		
		Ø 5,7/4 mm <b>CG-CS013</b> (sealed / con guarnizione)		



## MAIN UNIT / SOLO COMPUTER

**ErgoBrain 10** CI03-EB10C3

(triple compatible)



## ASSEMBLY KIT /

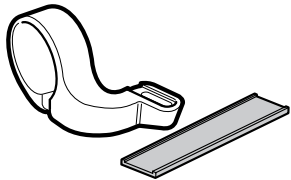
## KIT D'INSTALLAZIONE

**ErgoBrain** CI00-EB09B1

(for 9s drivetrain / per trasmissione 9s)

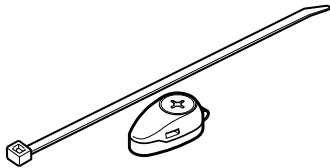
**ErgoBrain 10** CI00-EB10B2

(for 10s drivetrain / per trasmissione 10s)



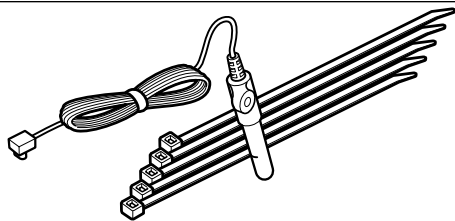
31,7 mm arm / fascetta 31,7 mm

**CI-EB001**



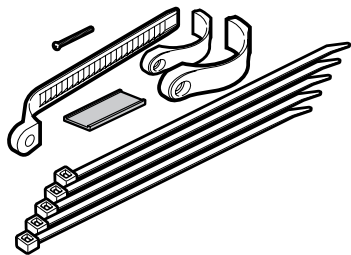
CDC magnet / magnete cadenza

**CI-EB003**



CDC sensor / sensore cadenza

**CI-EB006**



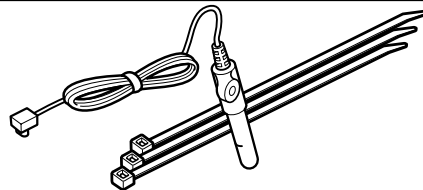
Sensor attachment / fascetta sensori

**CI-EB002**



CDC PRO-FIT pedal magnet /  
magnete cadenza pedale PRO-FIT

**CI-EB004**



SPD sensor / sensore velocità

**CI-EB007**



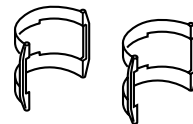
push buttons / copripulsanti

**CI-EB009**



SPD magnet / magnete velocità

**CI-EB008**

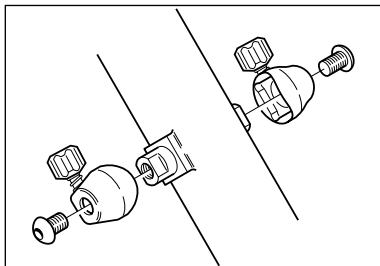


spacers / distanziali

**CI-EB010**



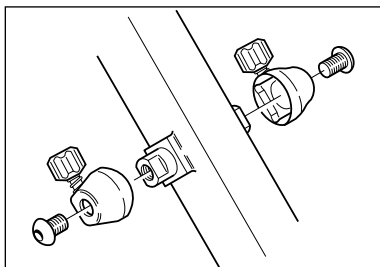
### ERGOPOWER BLOCKS



FOR ROUND DOWN TUBE

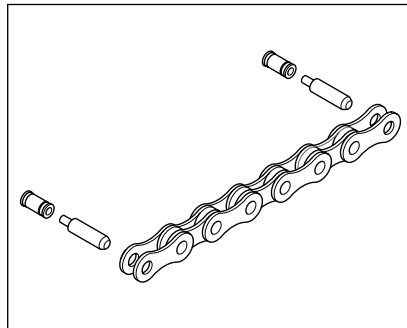
Aluminum: **EC-RE001**

Resin: **EC-AT001**



FOR FLAT DOWN TUBE

Resin: **EC-AT002**



**CN-RE200**

**HD-Link**

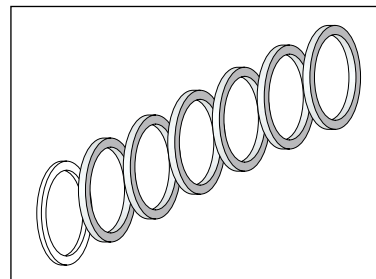
for C10 UD and C10 HD-L chains  
(blister-packed)



**LB-1CN**

**SUPERLATIVE**

chain lubricant



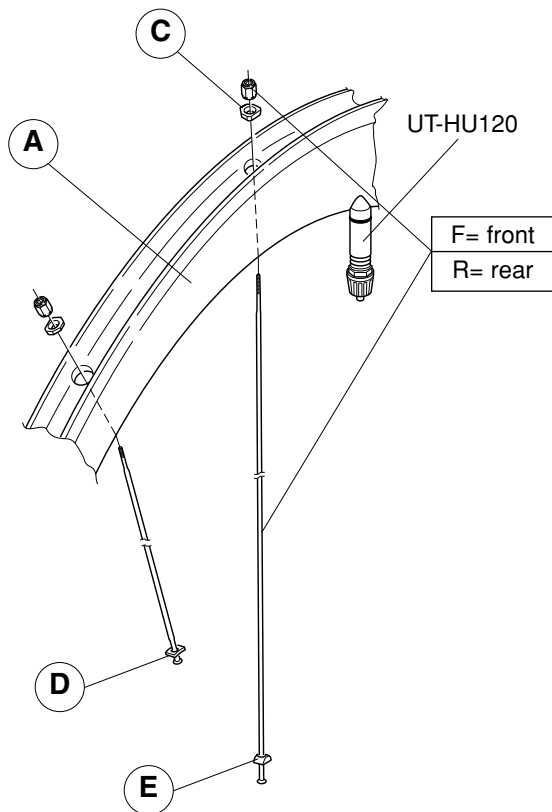
**KIT-03**

Transforms a Veloce 9s sprocket set into a 8s cassette.

**Only for 9s/10s hub/wheels.**

<b>RD-RE700</b>	rotelline cambio 10s	10s rear derailleur pulleys	jeu de galets dérail. arr. 10s
<b>RD-RE600</b>	rotelline cambio 9s	9s rear derailleur pulleys	jeu de galets dérail. arr. 9s
<b>RD-RE500</b>	rotelline cambio 8s	8s rear derailleur pulleys	jeu de galets dérail. arr. 8s
<b>EC-RE600</b>	coprisupporti EP dx + sx "new style"	right + left EP rubber hoods (new style)	repose-main EP droit + gauche "new style"
<b>EC-RE500</b>	coprisupporti EP dx + sx "old style"	right + left EP rubber hoods (old style)	repose-main EP droit + gauche "old style"
<b>BR-RE701</b>	pattini freno per ruote HYPERON tubolare	brake pads for HYPERON tubular wheels	patins de frein roues HYPERON boyaux
<b>BR-RE700</b>	pattini freno	brake pads	patins de frein
<b>BR-RE600</b>	pattini freno	brake pads	patins de frein
<b>BR-MI600</b>	pattini freno compl.	compl. brake pads	patins de frein compl.
<b>BL-RE500</b>	coprisupporti tradizionali dx + sx (gamma 2000 e prec.)	r + l traditional rubber hoods (2000 range and prev.)	repose-main trad. droit + gauche (gamme 2000 et préc.)
<b>PD-RE020</b>	tacchette pedali (con gioco)	self-aligning pedal cleats	plaques avec jeu pour pédales
<b>PD-RE021</b>	tacchette pedali (senza gioco)	fixed pedal cleats	plaques sans jeu pour pédales
<b>PD-RE200</b>	denti d'aggancio pedali + viti	pedal engaging hooks + screws	dispositifs d'accrochage pédales + vis
<b>PD-RE116</b>	viti fissaggio tacchette pedali	pedal cleats fixing screws	vis fixation plaques pédales
<b>CG-ER500</b>	cavi e guaine EP (con capi-guaina)	EP cables and casings (with brake housing ferrules)	câbles et gaines EP (avec butée de gaines)
<b>CN-RE200</b>	HD-LINK per catene C10 UD e HD-L	HD-LINK for C10 UD and HD-L chains	HD-LINK for C10 UD and HD-L chains

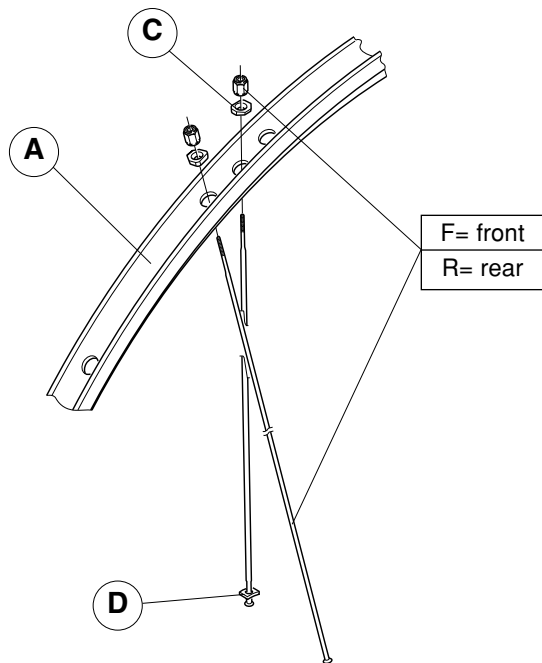
## **BORA 9s / 10s**



COMPLETE WHEELS	A	Compl. KIT	MINI-KIT
<b>FRONT</b>			
<b>WH99-BOTF</b> tubular 28"	<b>WH-201BO</b>	<b>KIT-11BO</b> (16F + 16C + 16D)	<b>KIT-100BO</b> (2F+2R right +2R left+6C+4D+2E)
<b>REAR</b>			
<b>WH99-BOTR</b> <b>WH99-BOTRX</b> tubular 28"	<b>WH-301BO</b>	<b>KIT-12BO</b> (9R right+9R left+18C+9D+9E)	

COMPLETE WHEELS	F	R right	R left
<b>WH99-BOTF</b> tubular 28"	L. 278 mm		
<b>WH99-BOTR</b> <b>WH99-BOTRX</b> tubular 28"		L. 277 mm	L. 278 mm

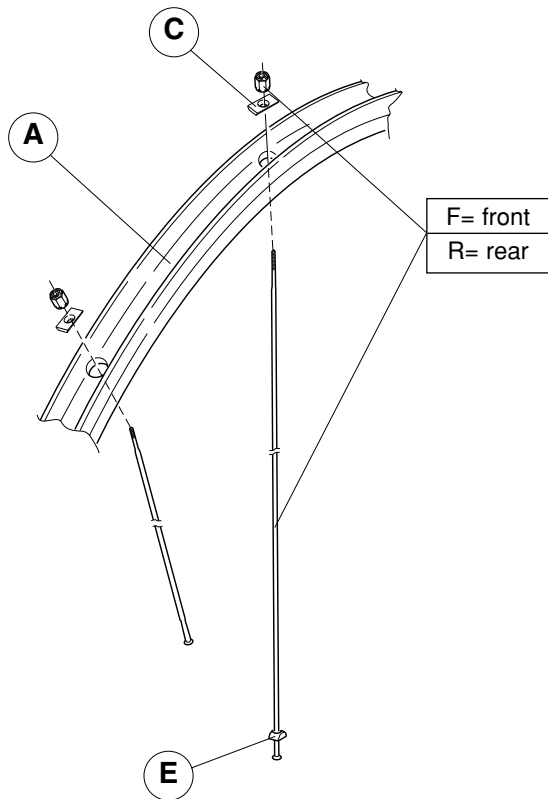
# EURUS 9s / 10s



COMPLETE WHEELS	A	Compl. KIT	MINI-KIT
<b>FRONT</b>			<b>KIT-200EU</b> (2F+2R right +2R left+6C+4D)
<b>WH02-EUCF</b> clincher 28"	<b>WH-003EU</b>	<b>KIT-03EU</b> (18F+18C+18D)	
<b>REAR</b>			
<b>WH02-EUCR</b> <b>WH02-EUCRX</b> clincher 28"	<b>WH-004EU</b>	<b>KIT-04EU</b> (15R right+8R left+15C+8D)	

COMPLETE WHEELS	F	R right	R left
<b>WH02-EUCF</b> clincher 28"	L. 285 mm		
<b>WH02-EUCR</b> <b>WH02-EUCRX</b> clincher 28"		L. 288 mm	L. 285 mm

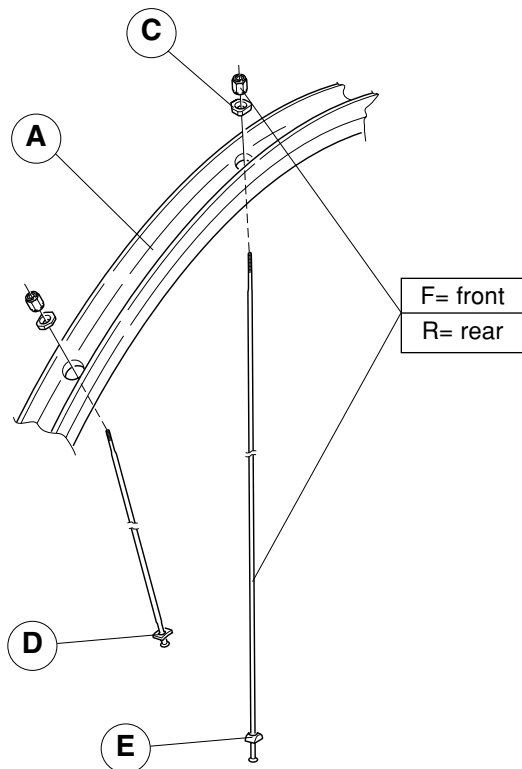
## **HYPERON** **9s / 10s**



COMPLETE WHEELS	A	Compl. KIT	MINI-KIT
<b>FRONT</b>			
<b>WH02-HYTF</b> tubular 28"	<b>WH-001HY</b>	<b>KIT-01HY</b> (24F+24C)	<b>KIT-100HY</b> (2F+2R right +2R left+6C+2E)
<b>REAR</b>			
<b>WH02-HYTR</b> <b>WH02-HYTRX</b> tubular 28"	<b>WH-002HY</b>	<b>KIT-02HY</b> (13R right+13R left+26C+13E)	

COMPLETE WHEELS	F	R right	R left
<b>WH02-HYTF</b> tubular 28"	L. 294,5 mm		
<b>WH02-HYTR</b> <b>WH02-HYTRX</b> tubular 28"		L. 295 mm	L. 294,5 mm

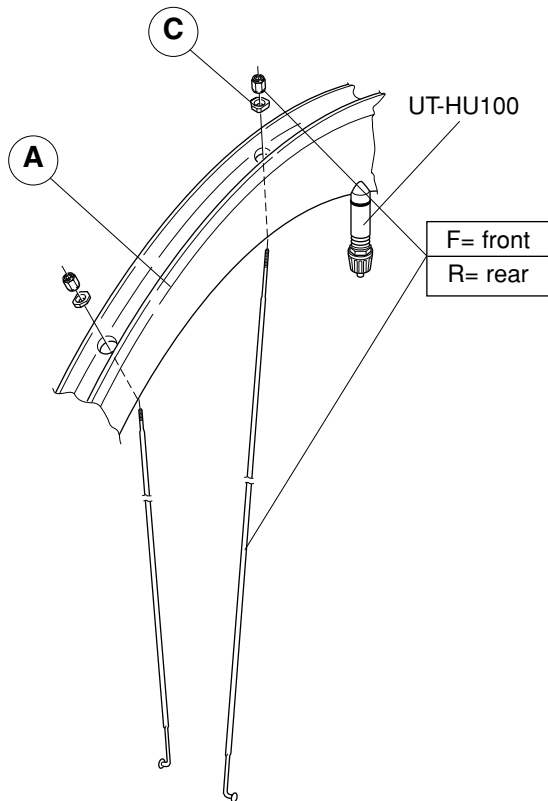
# NEUTRON 9s / 10s



COMPLETE WHEELS	A	Compl. KIT	MINI-KIT
<b>FRONT</b>			
WH02-NETF tubular 28"	WH-001NE	KIT-01NE (24F+24C+24D)	<u>tubular</u> <b>KIT-100NE</b> (2F+2R right +2R left+6C+4D+2E)
WH02-NECF clincher 28"	WH-003NE	KIT-03NE (24F+24C+24D)	
<b>REAR</b>			
WH02-NETR WH02-NETRX tubular 28"	WH-002NE	KIT-02NE (13R right+13R left+26C+13D+13E)	<u>clincher</u> <b>KIT-200NE</b> (2F+2R right +2R left+6C+4D+2E)
WH02-NECR WH02-NECRX clincher 28"	WH-004NE	KIT-04NE (13R right+13R left+26C+13D+13E)	

COMPLETE WHEELS	F	R right	R left
WH02-NETF tubular 28"	L. 296,5 mm		
WH02-NECF clincher 28"	L. 294,25 mm		
WH02-NETR WH02-NETRX tubular 28"		L. 299,5 mm	L. 296,5 mm
WH02-NECR WH02-NECRX clincher 28"		L. 296,5 mm	L. 294,75 mm

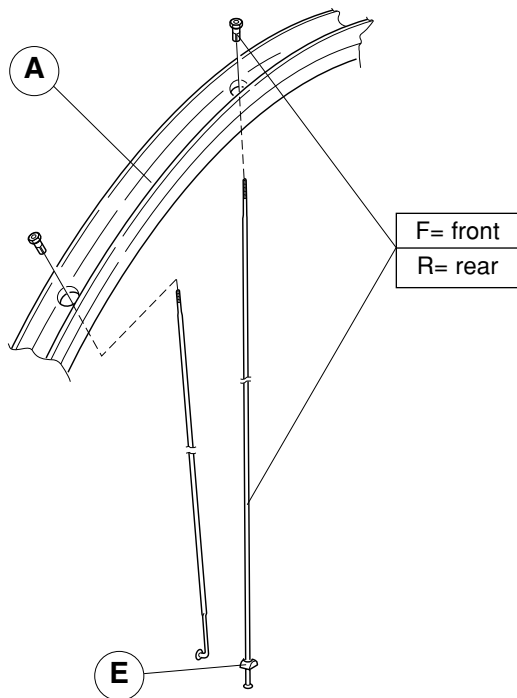
## PISTA



COMPLETE WHEELS	A	Compl. KIT	MINI-KIT
<b>FRONT</b>			
<b>WH02-PTF</b> tubular 28"	<b>WH-001P</b>	<b>KIT-01P</b> (22F+22C)	<b>KIT-100P</b> (3F+3R+6C)
<b>REAR</b>			
<b>WH02-PTR</b> tubular 28"	<b>WH-002P</b>	<b>KIT-02P</b> (26R+26C)	

COMPLETE WHEELS	F	R
<b>WH02-PTF</b> tubular 28"	L. 278 mm	
<b>WH02-PTR</b> tubular 28"		L. 287 mm

# PROTON 9s / 10s

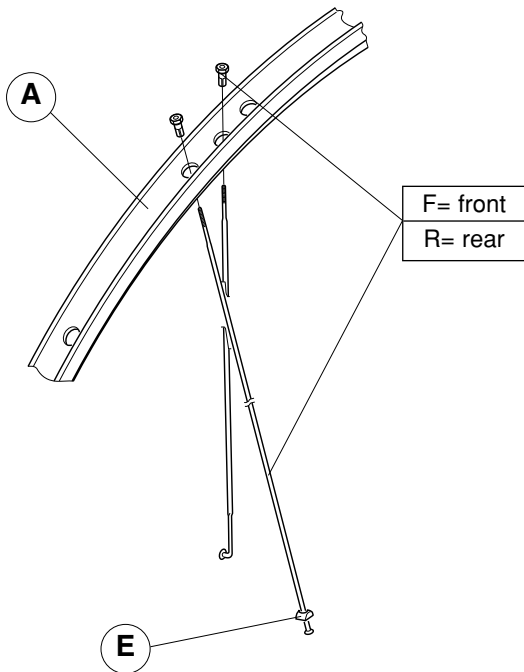


COMPLETE WHEELS	A	Compl. KIT	MINI-KIT
<b>FRONT</b>			<b>KIT-400PR</b> (2F+2R right +2R left+2E)
<b>WH02-PRCF</b> clincher 28"	<b>WH-201PR</b>	<b>KIT-03PR</b> (24F)	
<b>REAR</b>			
<b>WH02-PRCR</b> <b>WH02-PRCRX</b> clincher 28"	<b>WH-202PR</b>	<b>KIT-04PR</b> (13R right+13R left+13E)	

COMPLETE WHEELS	F	R right	R left
<b>WH02-PRCF</b> clincher 28"	L. 283 mm		
<b>WH02-PRCR</b> <b>WH02-PRCRX</b> clincher 28"		L. 292 mm	L. 283 mm



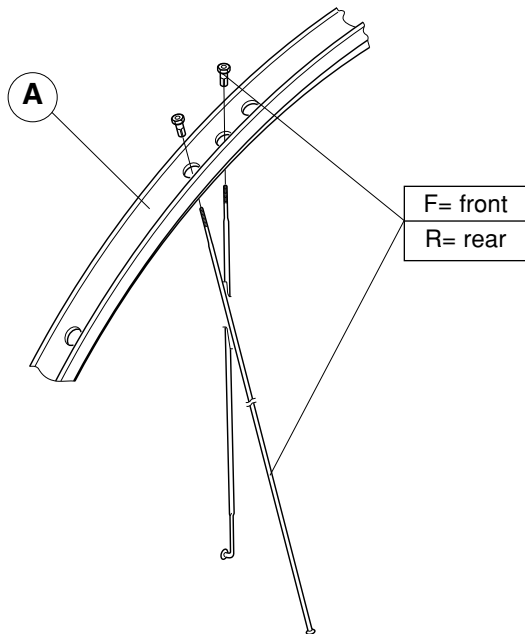
## SCIROCCO 9s / 10s



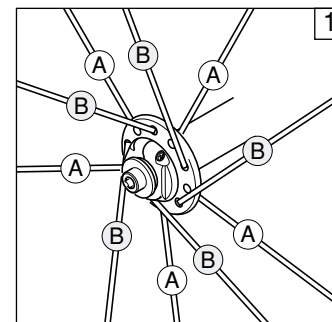
COMPLETE WHEELS	A	Compl. KIT	MINI-KIT
<b>FRONT</b>			
<b>WH03-SCCF</b> clincher 28"	<b>WH-003SC</b>	<b>KIT-13SC</b> (26F)	<b>KIT-400SC</b> (2F+2R right +2R left+2E)
<b>REAR</b>			
<b>WH03-SCCR</b> <b>WH03-SCCR</b> X clincher 28"	<b>WH-004SC</b>	<b>KIT-14SC</b> (17R right+9R left+17E)	

COMPLETE WHEELS	F	R right	R left
<b>WH03-SCCF</b> clincher 28"	L. 275 mm		
<b>WH03-SCCR</b> <b>WH03-SCCR</b> X clincher 28"		L. 279 mm	L. 272 mm

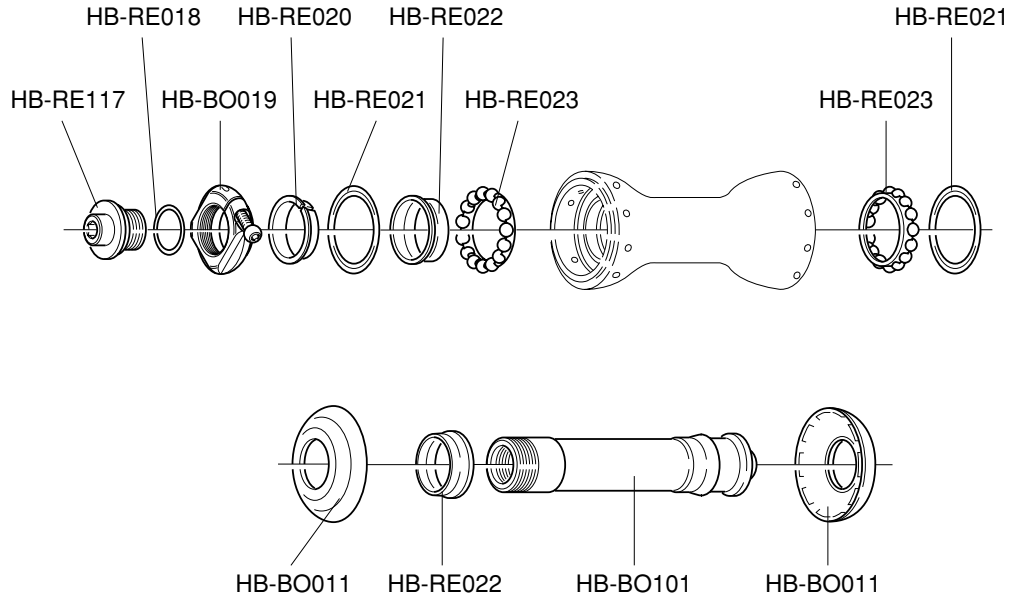
# ZONDA 9s / 10s



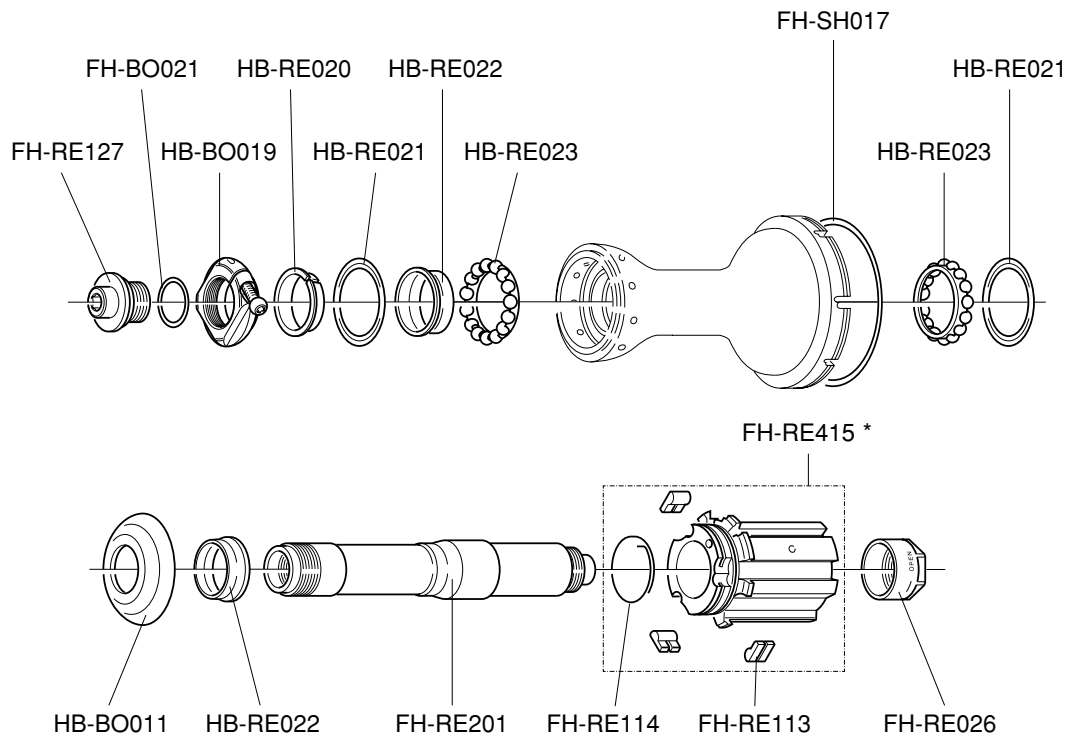
COMPLETE WHEELS	A	Compl. KIT	MINI-KIT
<b>FRONT</b>			
WH02-ZOCF clincher 28"	WH-003ZO	KIT-03ZO (11F/A+11F/B)	KIT-200ZO (2F/A+2F/B +2R right+2R left)
<b>REAR</b>			
WH02-ZOCR WH02-ZOCRX clincher 28"	WH-004ZO	KIT-04ZO (15R right+8R left)	
COMPLETE WHEELS	F (Fig. 1)	R right	R left
WH02-ZOCF clincher 28"	A: L. 273 mm B: L. 292 mm		
WH02-ZOCR WH02-ZOCRX clincher 28"		L. 282 mm	L. 271 mm



**MOZZO ANTERIORE**  
***HYPERON***  
**FRONT HUB**

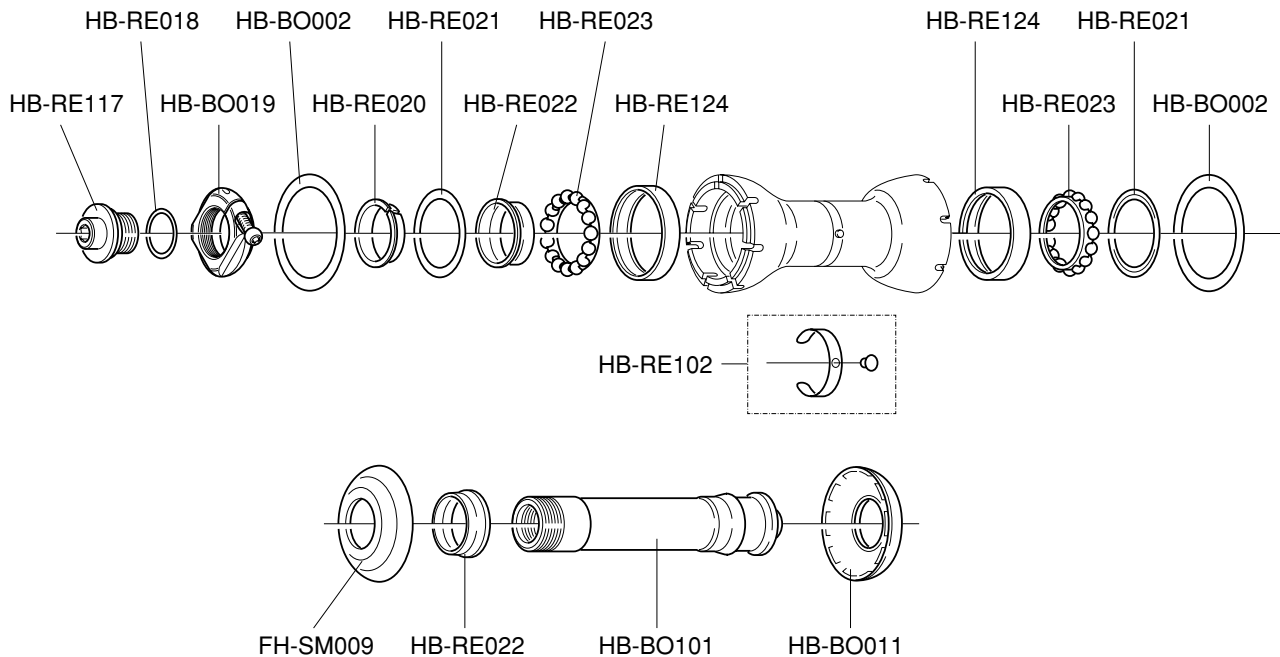


**MOZZO POSTERIORE 9s / 10s**  
***HYPERON***  
**9s / 10s REAR HUB**

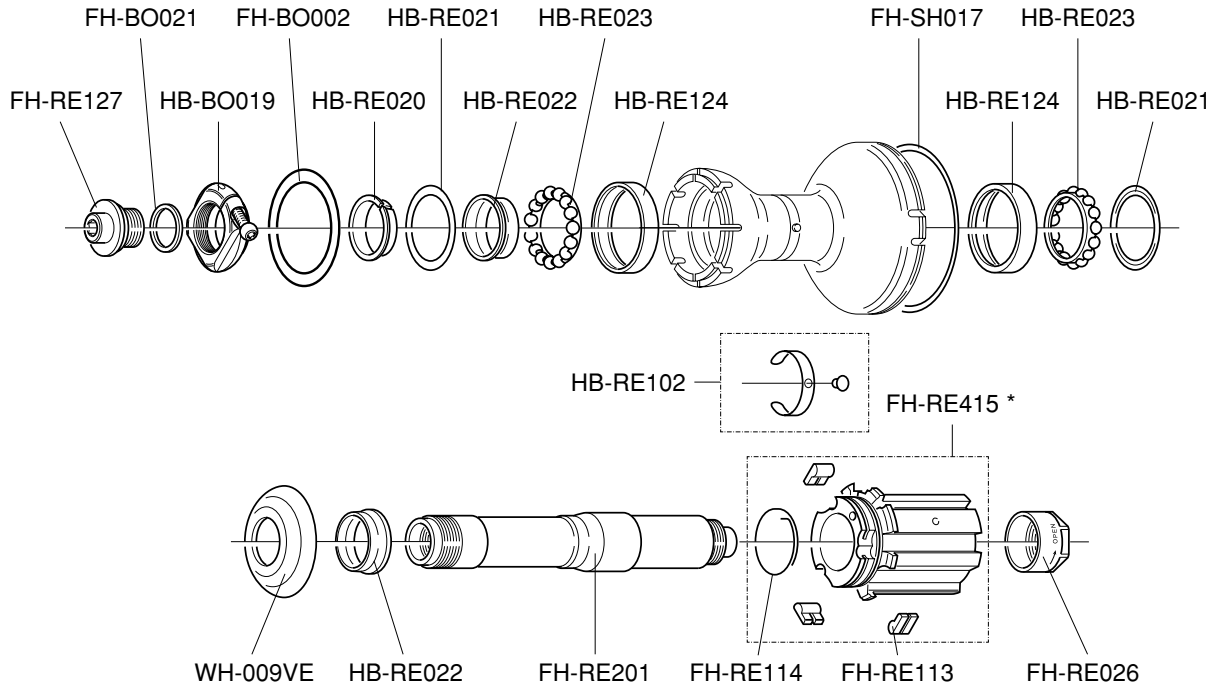


\* HG 8/9 type FW body / corpetto RL tipo HG 8/9: **WH-KX1** (RECORD type) **WH-KX2** (CHORUS type)

**MOZZO ANTERIORE  
BORA - NEUTRON - EURUS  
FRONT HUB**

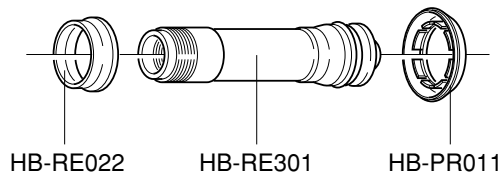
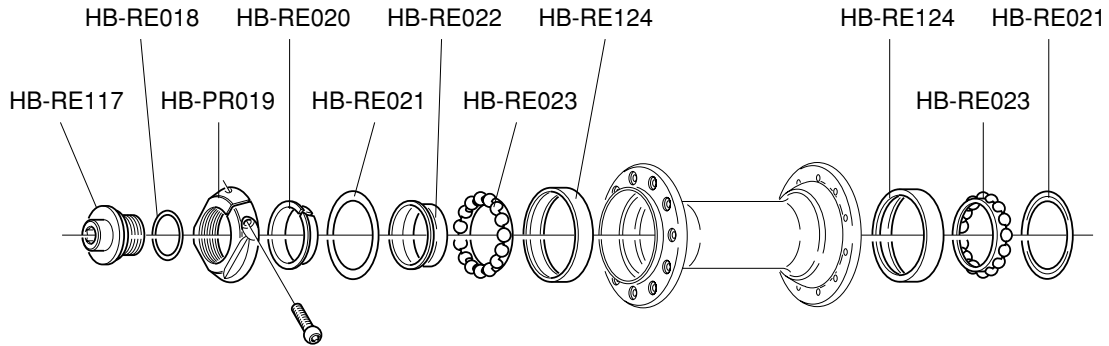


**MOZZO POSTERIORE 9s / 10s**  
**BORA - NEUTRON - EURUS**  
**9s / 10s REAR HUB**

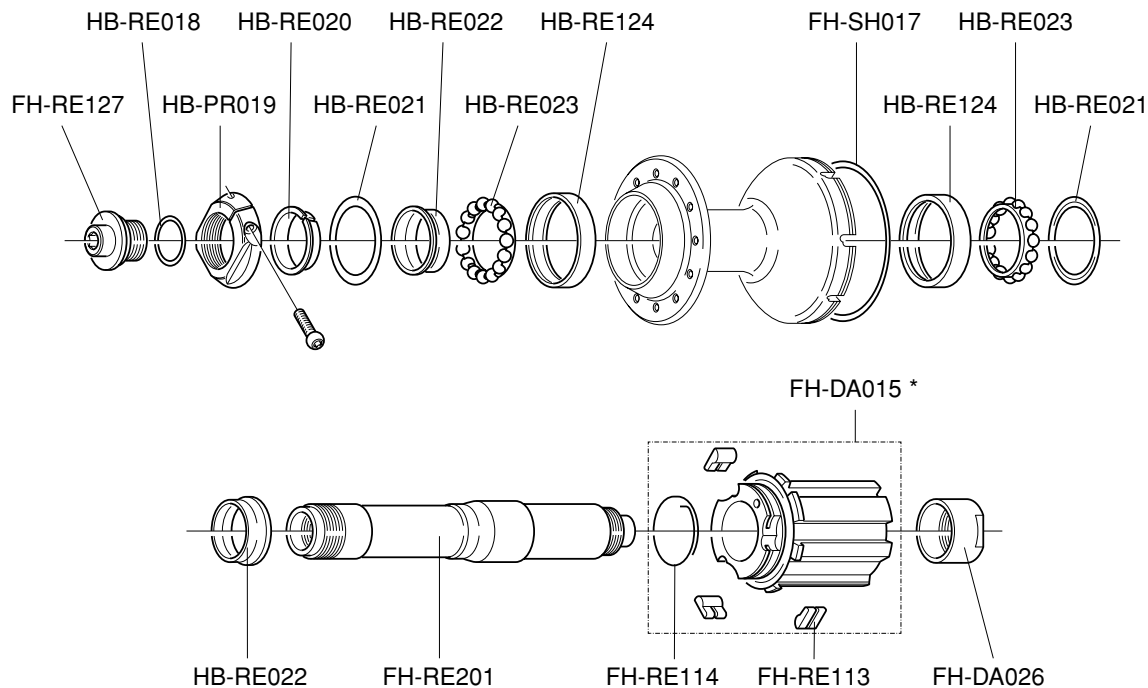


\* HG 8/9 type FW body / corpetto RL tipo HG 8/9: **WH-KX1** (RECORD type) **WH-KX2** (CHORUS type)

**MOZZO ANTERIORE  
PROTON - ZONDA  
FRONT HUB**



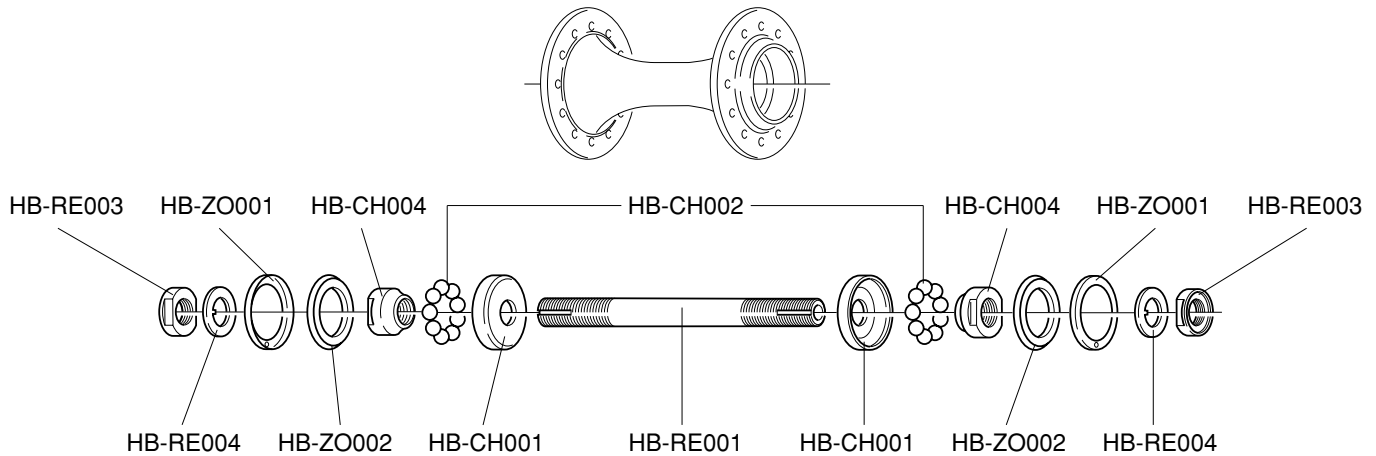
**MOZZO POSTERIORE 9s / 10s**  
**PROTON - ZONDA**  
**9s / 10s REAR HUB**



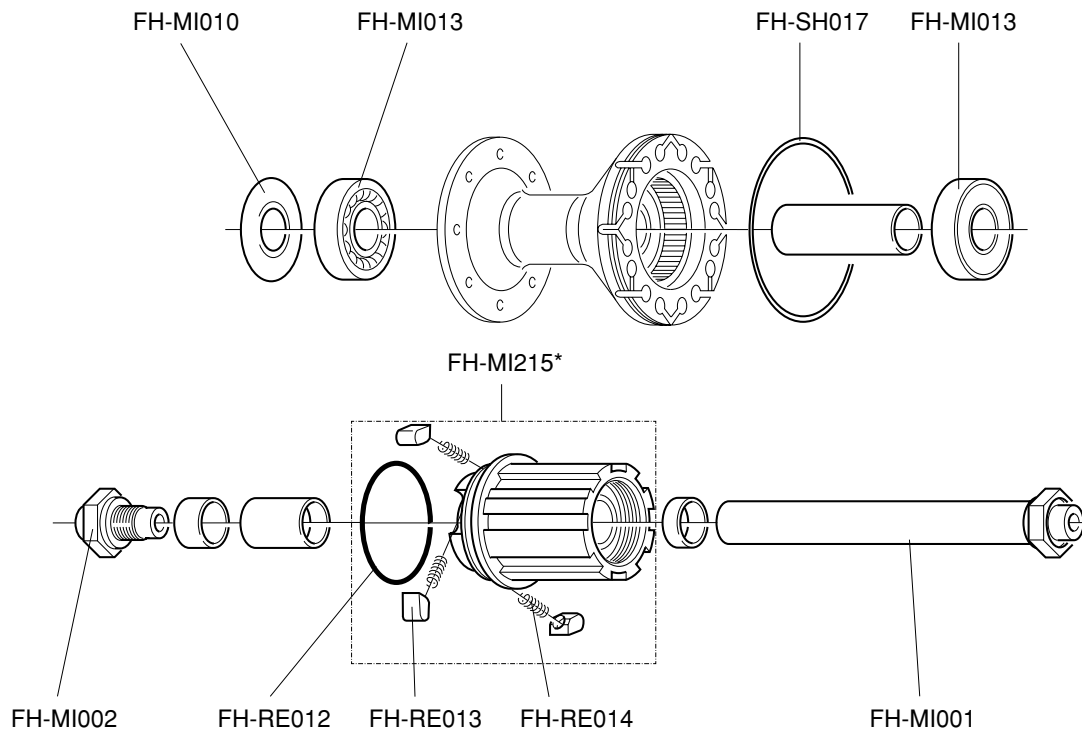
\* HG 8/9 type FW body / corpetto RL tipo HG 8/9: **WH-KX1** (RECORD type) **WH-KX2** (CHORUS type)



MOZZO ANTERIORE  
*SCIROCCO*  
FRONT HUB

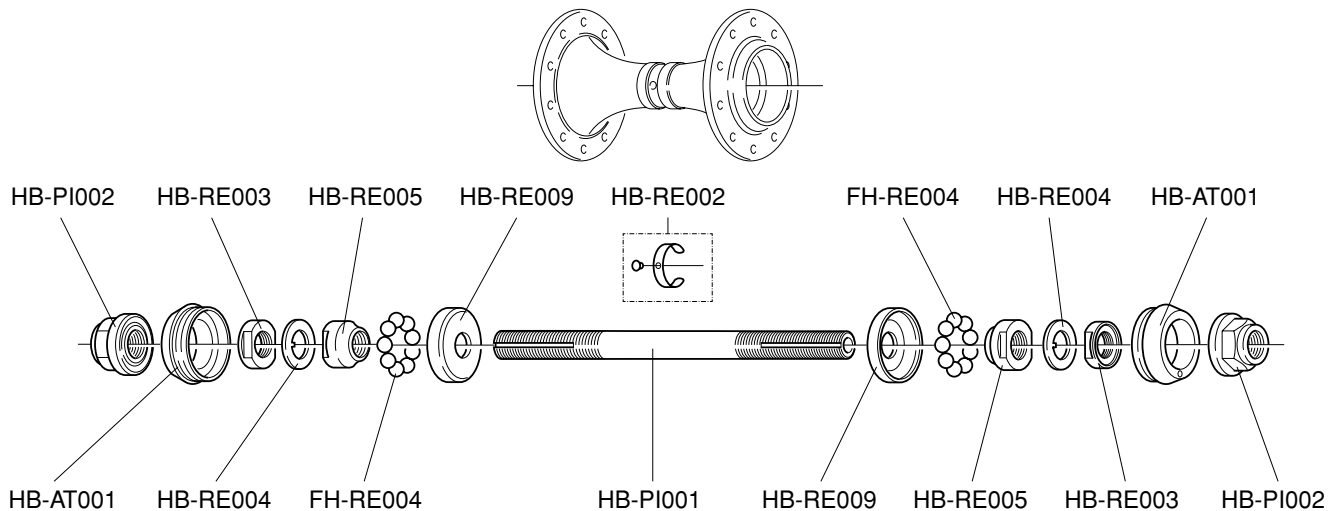


**MOZZO POSTERIORE**  
***SCIROCCO***  
**REAR HUB**

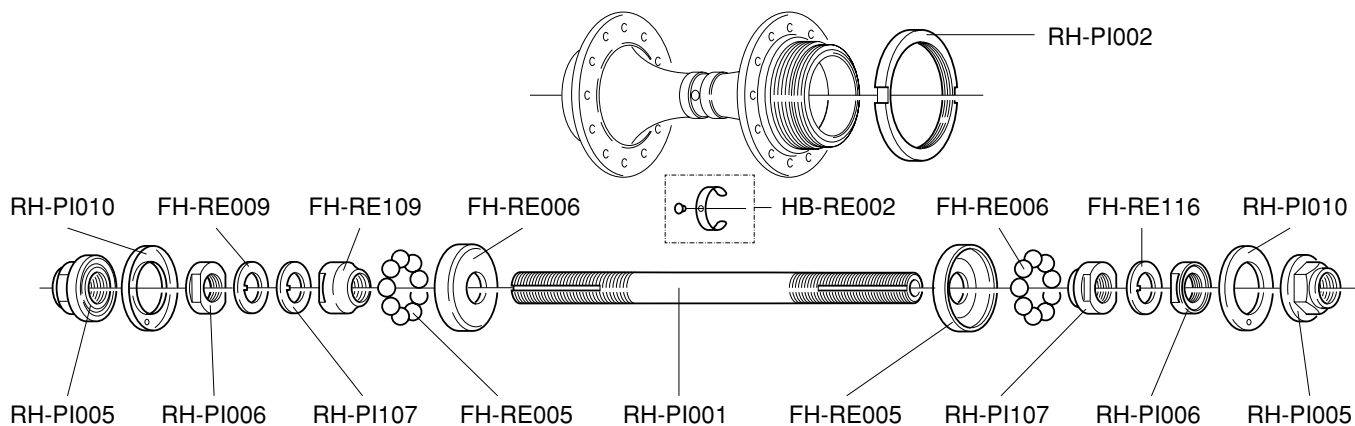


\* HG 8/9 type FW body / corpetto RL tipo HG 8/9: **WH-KX3**

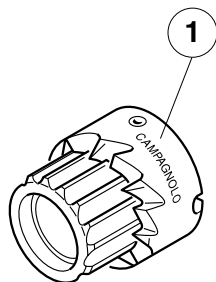
## MOZZO ANTERIORE *PISTA* FRONT HUB



**MOZZO POSTERIORE**  
***PISTA***  
**REAR HUB**



## HEADSET



Doppia fresa sedi calotte per attrezzo UT-HS090 (Ø 1")

**UT-HS093:** standard

**UT-HS094:** con inserti in metallo duro

Double cutter cup seats for tool UT-HS090 (Ø 1")

**UT-HS093:** standard

**UT-HS094:** with hard metal inserts

Fraise double pour sièges cuvettes pour outil UT-HS090 (Ø 1")

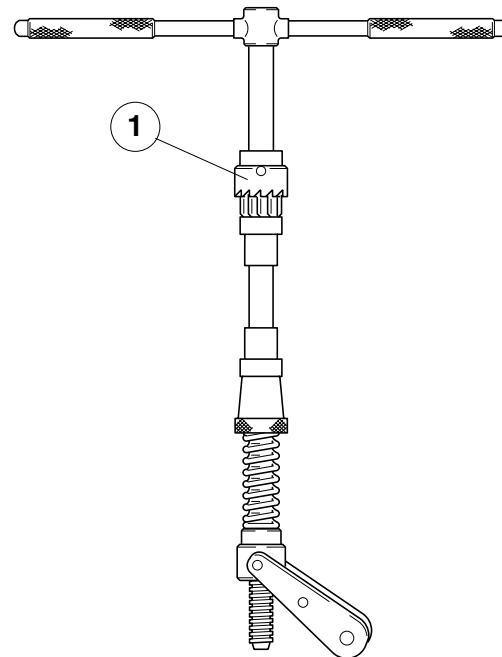
**UT-HS093:** standard

**UT-HS094:** avec inserts métal dur

Doppelfräser für Gabelkonus für Werkzeug UT-HS090 (Ø 1")

**UT-HS093:** Standard

**UT-HS094:** mit aufgetragenen Hartmetallplättchen



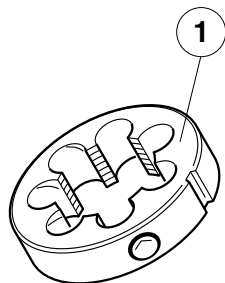
**UT-HS090:** Attrezzo fresatura tubo sterzo, montaggio calotta inferiore e cono superiore serie sterzo 1" - completo di doppia fresa standard (1)

**UT-HS090:** Tool for milling steering tube, for fitting bottom cup and top cone 1" headset - with standard double cutter (1)

**UT-HS090:** Outil pour fraisage tube de direction, montage cuvette inférieure et cône supérieur jeux de directions 1" - avec fraise double standard (1)

**UT-HS090:** Steuersatz-Fräswerkzeug - mit Standard-Doppelfräser (1) - für 1" Steuerschalensitz

## HEADSET

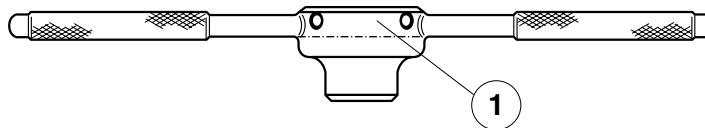


**UT-HS021:** Filiere per attrezzo ripasso forcella UT-HS020 (1")

**UT-HS021:** Cutter for recutting fork thread tool UT-HS020 (1")

**UT-HS021:** Filière pour outil repassage fourche UT-HS020 (1")

**UT-HS021:** Gewindeschneider für Werkzeug UT-HS020 (1") zum Nachschneiden für Gabelschaftrohr

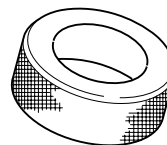


**UT-HS020:** Attrezzo per ripasso filetto forcelle per sterzi 1", con filiera (1)

**UT-HS020:** Tool for recutting fork thread for 1" Headsets, with threader (1)

**UT-HS020:** Outil pour repassage filetage fourche pour jeux de directions 1", avec filière (1)

**UT-HS020:** Werkzeug zum Nachschneiden von Gabelschaftgewinde, mit Gewindeschneider (1), für Ø 1" Steuersatz



**UT-HS110:** Attrezzo mont. cono forcella, per s.sterzo Hiddenset 1"

**UT-HS120:** Attrezzo mont. cono forcella, per s. sterzo Hiddenset 1-1/8"

**UT-HS110:** Tool for installing fork cone, for Ø 1" Hiddenset headset

**UT-HS120:** Tool for installing fork cone, for Ø 1-1/8" Hiddenset headset

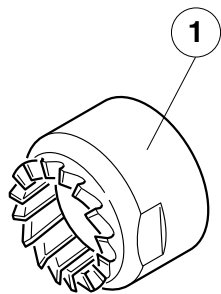
**UT-HS110:** Outil pour montage cône de fourche, pour jeux de directions Hiddenset 1"

**UT-HS120:** Outil pour montage cône de fourche, pour jeux de directions Hiddenset 1-1/8"

**UT-HS110:** Werkzeug zur Montage von Gabelkonus, für Ø 1" Hiddenset Steuersatz

**UT-HS120:** Werkzeug zur Montage von Gabelkonus, für Ø 1-1/8" Hiddenset Steuersatz

## HEADSET



Fresa per attrezzo UT-HS030 Ø 1"  
**UT-HS031:** standard  
**UT-HS032:** con inserti in metallo duro

Cutter for tool UT-HS030 Ø 1"  
**UT-HS031:** standard  
**UT-HS032:** with hard metal inserts

Fraise pour outil UT-HS030 Ø 1"  
**UT-HS031:** standard  
**UT-HS032:** avec inserts métal dur

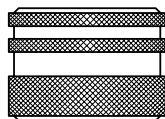
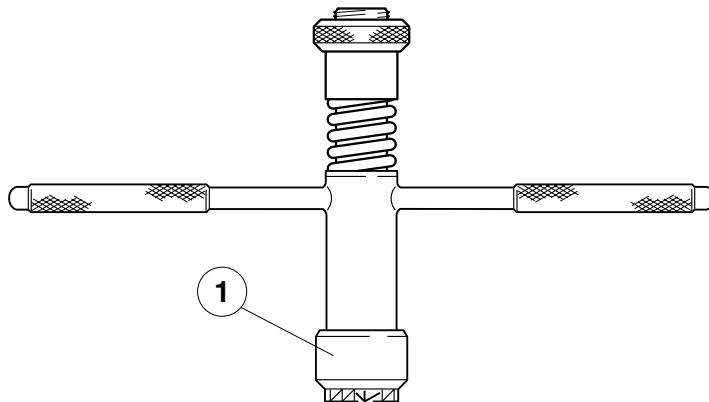
Ø 1" Fräser für UT-HS030 Werkzeug  
**UT-HS031:** Standard  
**UT-HS032:** mit aufgetragenen Hartmetallplättchen

**UT-HS030:** Attrezzo per fresatura sede cono forcella per serie sterzo 1" con fresa standard (1)

**UT-HS030:** Tool for milling fork bottom cone seat for 1" headsets with standard cutter (1)

**UT-HS030:** Outil pour le fraisage siège cône de fourche pour directions 1" avec fraise standard (1)

**UT-HS030:** Gabelkonus-Fräswerkzeug für 1" Steuersitz mit Standardfräser (1)



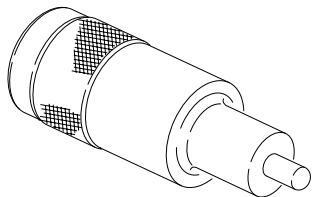
**UT-HS080:** Calibro controllo sede cono forcelle Ø 26,4 mm

**UT-HS080:** Gauge for checking fork cone seat 26,4 mm Ø

**UT-HS080:** Calibre de contrôle siège cône de fourche Ø 26,4 mm

**UT-HS080:** Kontrolllehre für Gabelkonussitz Ø 26,4 mm

## HEADSET

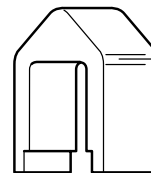


**UT-HS100:** Attrezzo montaggio serie sterzo Ø 1" per canotto non filettato

**UT-HS100:** Tool for installing Ø 1" headset for unthreaded steerers

**UT-HS100:** Outil pour montage jeu de direction Ø 1" pour tube de fourche non fileté

**UT-HS100:** Werkzeug zur Ø 1" Steuersatzmontage für gewindelosen Gabelschaft

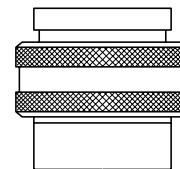


**UT-HS060:** Estrattore cono forcella serie sterzo

**UT-HS060:** Headset crown race remover

**UT-HS060:** Extracteur cône de fourche pour jeux de directions

**UT-HS060:** Abschläger für Gabelkonus für Steuersatz



**UT-HS070:** Calibro controllo sedi coni e calotte sterzi 1"

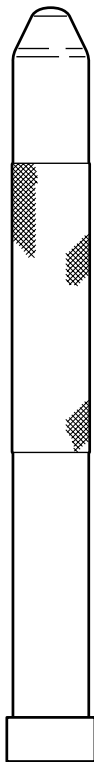
**UT-HS070:** Gauge for checking cone and cup seats 1" headsets

**UT-HS070:** Calibre de contrôle sièges cônes et cuvettes jeux de directions 1"

**UT-HS070:** Kontrollehre für Gabelkonus und 1" Steuerschalensitz



## HEADSET

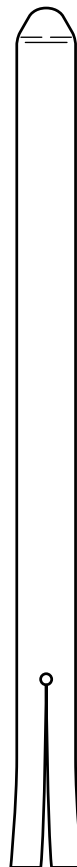


**UT-HS040:** Punzone per montaggio cono forcella, per serie sterzo Ø 1"

**UT-HS040:** Punch for installing fork cone, for Ø 1" headset

**UT-HS040:** Outil pour montage cône de fourche, pour jeux de directions Ø 1"

**UT-HS040:** Aufschläger für Montage von Gabelkonus, für Ø 1" Steuersatz



**UT-HS050:** Estrattore calotta inferiore e cono superiore, per serie sterzo Ø 1"

**UT-HS050:** Extractor for lower headset cup and race, for Ø 1" headset

**UT-HS050:** Extracteur cuvette inférieure et cône supérieur, pour jeux de directions Ø 1"

**UT-HS050:** Austreiber für oberen Konus und untere Lagerschale, für Ø 1" Steuersatz

## ***BOTTOM BRACKET***

**UT-BB045:** Maschio filetto italiano (1 pz.)

**UT-BB046:** Maschio filetto inglese destro (1 pz.)

**UT-BB047:** Maschio filetto inglese sinistro (1 pz.)

**UT-BB045:** Tap for Italian thread (1pc.)

**UT-BB046:** Tap for English thread right-hand (1pc.)

**UT-BB047:** Tap for English thread left-hand (1pc.)

**UT-BB045:** Taraud filetage italien (1 pc.)

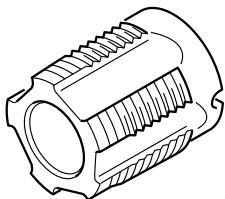
**UT-BB046:** Taraud filetage anglais droit (1 pc.)

**UT-BB047:** Taraud filetage anglais gauche (1 pc.)

**UT-BB045:** ITA Gewindeschneider (1 St.)

**UT-BB046:** BSA Gewindeschneider rechts (1 St.)

**UT-BB047:** BSA Gewindeschneider links (1 St.)



Atrezzo per filettatura scatola movimento centrale con 2 maschi

**UT-BB040:** Filetto italiano

**UT-BB041:** Filetto inglese

Tool for threading bottom bracket housing with 2 taps

**UT-BB040:** Italian thread

**UT-BB041:** English thread

Outil pour le filetage de la boîte de pédalier avec 2 tarauds

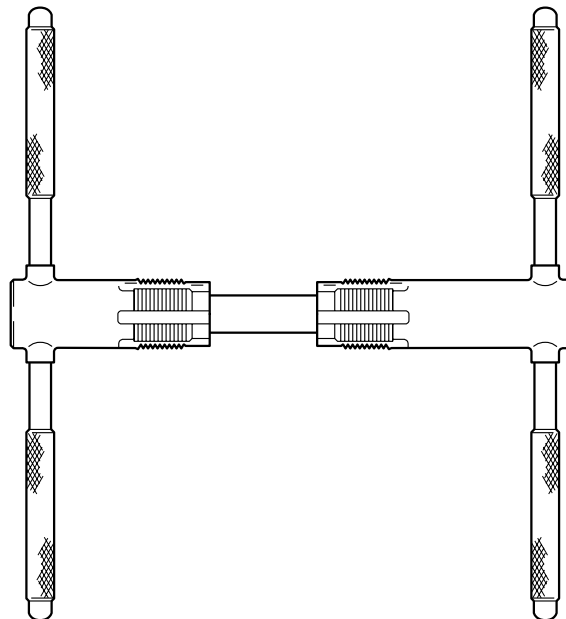
**UT-BB040:** filetage italien

**UT-BB041:** filetage anglais

Tretlager-Gewindeschneid-Werkzeug mit 2 Gewindeschneider mit:

**UT-BB040:** ITA Gewinde

**UT-BB041:** BSA Gewinde



## **BOTTOM BRACKET**

**UT-BB052:** 2 manicotti filettati di guida per attrezzo UT-BB050, italiano

**UT-BB053:** 2 manicotti filettati di guida per attrezzo UT-BB051, inglese

**UT-BB052:** Inner and outer thread guide for UT-BB050, IT thread

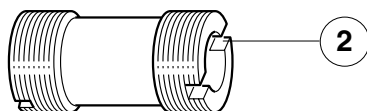
**UT-BB053:** Inner and outer thread guide for UT-BB051, BSC thread

**UT-BB052:** 2 manchons filetés de guide pour outils UT-BB050 fil. Italien

**UT-BB053:** 2 manchons filetés de guide pour outils UT-BB051 fil. anglais

**UT-BB052:** 2 Gewindemuffen zur Führung Werkzeuge UT-BB050, ITA

**UT-BB053:** 2 Gewindemuffen zur Führung Werkzeuge UT-BB051, BSA



Fresa per attrezzi UT-BB050 e UT-BB051

**UT-BB054:** Fresa standard

**UT-BB055:** Fresa con inserti metallo duro

Cutter for tools UT-BB050 and UT-BB051

**UT-BB054:** standard cutter

**UT-BB055:** cutter with hard metal inserts

Attrezzo fresatura piani scatola movimento centrale con fresa standard (1) e 2 manicotti filettati (2)

**UT-BB050:** Filetto italiano

**UT-BB051:** Filetto inglese

Bottom bracket facing set with standard cutter (1) and 2 - inner and outer - thread guide (2)

**UT-BB050:** Italian thread

**UT-BB051:** English thread

Outil fraisage faces boîte de pédalier avec fraise standard (1) et 2 manchons filetés de guide (2)

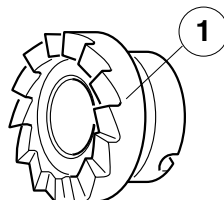
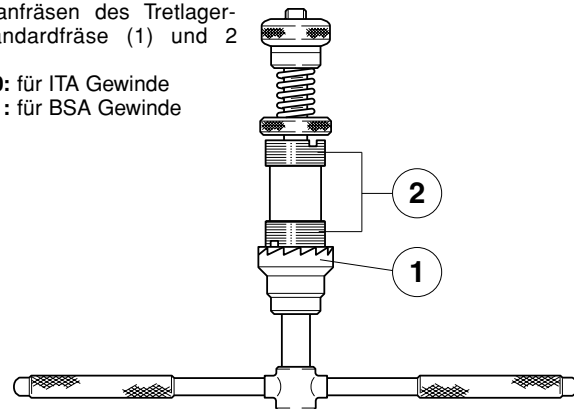
**UT-BB050:** filetage italien

**UT-BB051:** filetage anglais

Werkzeug zum Planfräsen des Tretlagergehäuses mit Standardfräse (1) und 2 Gewindemuffe (2)

**UT-BB050:** für ITA Gewinde

**UT-BB051:** für BSA Gewinde



Fresa per attrezzi UT-BB050 e UT-BB051

**UT-BB054:** Fresa standard

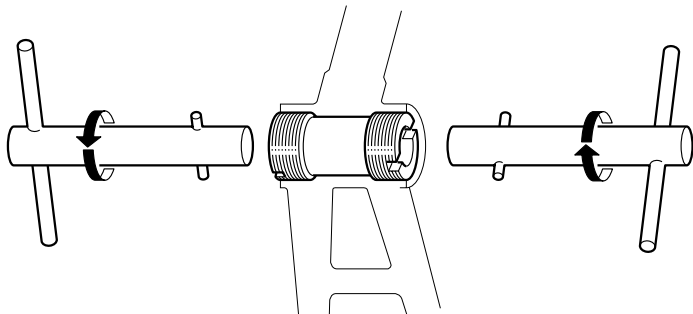
**UT-BB055:** Fresa con inserti metallo duro

Cutter for tools UT-BB050 and UT-BB051

**UT-BB054:** standard cutter

**UT-BB055:** cutter with hard metal inserts

## ***BOTTOM BRACKET***



**UT-BB060:** Chiave per montaggio manicotti attrezzi UT-BB050/UT-BB051 (1 pz.)

**UT-BB060:** Key for BB-thread guides UT-BB050/UT-BB051 (1 pcs.)

**UT-BB060:** Clé pour montage guides pour outils UT-BB050/UT-BB051 (1 pcs.)

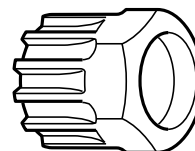
**UT-BB060:** Rohrschlüssel für Tretlagergewinde-Führungsteile UT-BB050/UT-BB051 (1 Stück)

**UT-BB080:** Chiave per montaggio movimenti centrali CART e ghiera di chiusura pacchi pignoni

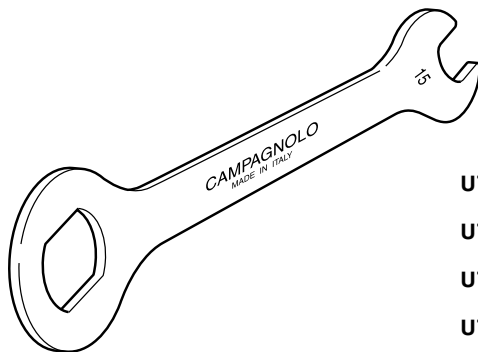
**UT-BB080:** Cartridge bottom bracket and sprocket cassette- lock ring remover

**UT-BB080:** Clé pour montage jeux de pédalier CART et roues-libres à cassette

**UT-BB080:** Schlüssel zur Montage von Patronen-Tretlager und Schließring für Freilaufzahnkranz



## ***BOTTOM BRACKET***



**UT-BB030:** Chiave per calotta destra movimenti centrali e per montaggio pedali

**UT-BB030:** Spanner for bottom bracket right-hand cup and installing pedals

**UT-BB030:** Clé pour cuvette droite jeu de pédalier et montage pédales

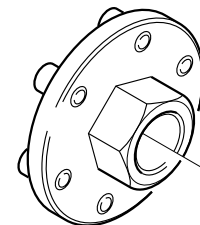
**UT-BB030:** Schlüssel für rechte Innenlagerschalen und Pedal-Montage

**UT-BB100:** Utensile per movimenti a cartuccia Daytona/Centaur, Veloce e Mirage

**UT-BB100:** Tool for Daytona/Centaur, Veloce and Mirage cartridge bottom bracket

**UT-BB100:** Clé pour jeux de pédalier à cartouche Daytona/Centaur, Veloce et Mirage

**UT-BB100:** Montageschlüssel für Daytona/Centaur, Veloce und Mirage Patronen-Tretlager



**HEADSET /  
BOTTOM  
BRACKET**



**UT-BB010:** Chiave per serie sterzo Ø 1" e calotta sinistra movimento centrale Pista

**UT-BB010:** Spanner for Ø 1" head sets and Pista bottom bracket left hand cup

**UT-BB010:** Clé pour direction Ø 1" et cuvette réglable jeu de pédalier Pista

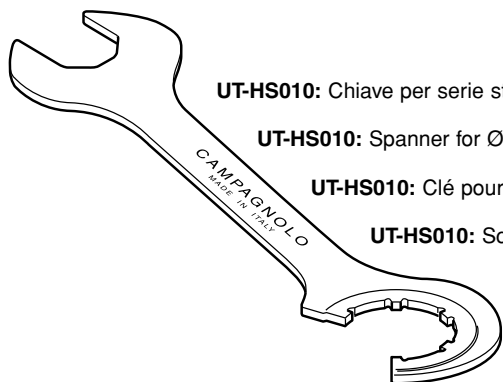
**UT-BB010:** Schlüssel für Ø 1" Steuersatz und Stiftschlüssel für Pista Tretlagerschale

**UT-BB011:** Punta per chiave UT-BB010

**UT-BB011:** Pin for UT-BB010

**UT-BB011:** Grain pour clé UT-BB010

**UT-BB011:** Stift für Schlüssel UT-BB010



**UT-HS010:** Chiave per serie sterzo Ø 1" e contranello movimento centrale Pista

**UT-HS010:** Spanner for Ø 1" head sets and Pista bottom bracket counter ring

**UT-HS010:** Clé pour direction Ø 1" et contre-écrou du jeu de pédalier Pista

**UT-HS010:** Schlüssel für Ø 1" Steuersatz und Pista Tretlager-Konterrering

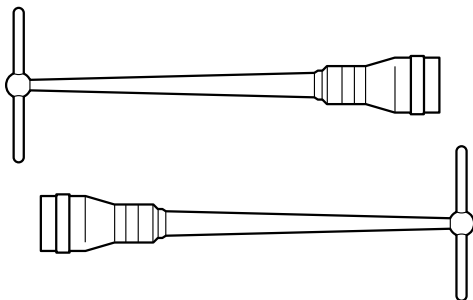
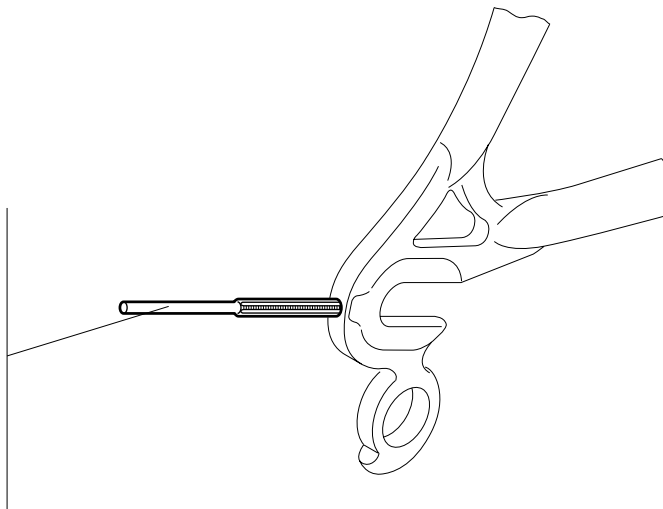
## FRAME PREPARATION

**UT-VS060:** Maschio M3 x 0,5 per ripasso filetti forcellini per viti registrazione

**UT-VS060:** M3 x 0,5 tap for recutting rear drop-out threads for setting screws

**UT-VS060:** Taraud M3 x 0,5 pour repassage filetage pattes de cadre pour vis de réglage

**UT-VS060:** M3 x 0,5 Gewindebohrer zum Nachschneiden von Stellschraubengewinde im Ausfallende



**UT-VS120:** Calibro per controllo allineamento forcellini e punte forcelle (2 pz.)

**UT-VS120:** Drop-out alignment set (2 pcs.)

**UT-VS120:** Calibre pour contrôle alignement pattes de cadres et pattes de fourches (2 pcs.)

**UT-VS120:** Werkzeug zum Ausrichten von Gabel- und Ausfallenden (2 St.)

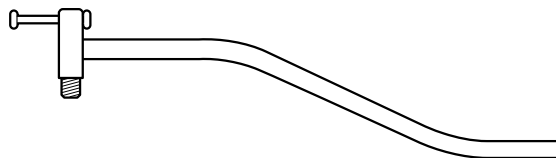
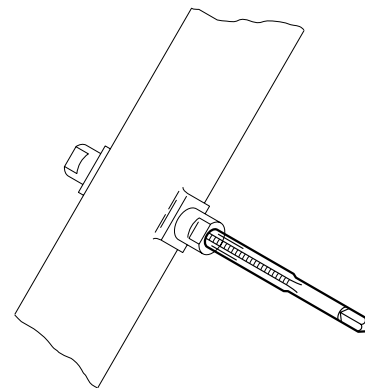
## **FRAME PREPARATION**

**UT-VS050:** Maschio M5 x 0,8 per ripasso filetti attacchi quadri comandi e attacchi borracce

**UT-VS050:** M5 x 0,8 tap for recutting shifting lever- and bottle cage threads

**UT-VS050:** Taraud M5 x 0,8 pour repassage filetage plots de manettes et attaches bidons

**UT-VS050:** M5 x 0,8 Gewindebohrer zum Nachschneiden der Gewinde für Schalthebel und Trinkflaschenhalter



**UT-VS030:** Riscontro allineamento occhiello attacco cambio

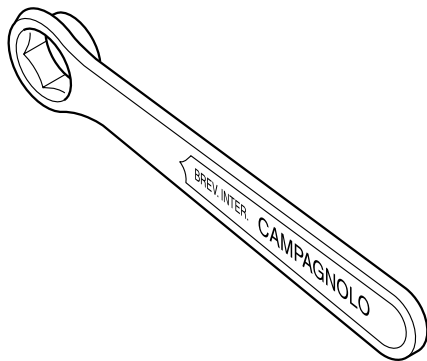
**UT-VS030:** Rear derailleur hanger alignment tool

**UT-VS030:** Calibre de contrôle attache de dérailleur arrière

**UT-VS030:** Richtwerkzeug zur Kontrolle von Ausfallende mit Schaltauge



## **CRANKS / CHAINRINGS**



**UT-FC050:** Chiave con esagono da 15 mm per estrattore pedivelle

**UT-FC050:** 15 mm crank bolt spanner

**UT-FC050:** Clé avec hexagone de 15 mm pour extracteur manivelles

**UT-FC050:** 15 mm Schlüssel für Tretkurbelabzieher

**UT-FC060:** Estrattore pedivelle standard

**UT-FC070:** Estrattore pedivelle con filetto a sinistra

**UT-FC060:** Extractor for standard cranks

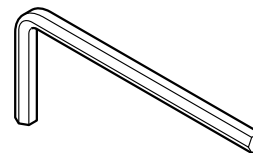
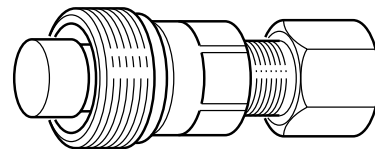
**UT-FC070:** Extractor for cranks with l.h. thread

**UT-FC060:** Extracteur manivelles standards

**UT-FC070:** Extracteur manivelles avec filetage à gauche

**UT-FC060:** Standard - Tretkurbelabzieher

**UT-FC070:** Tretkurbelabzieher mit Linksgewinde



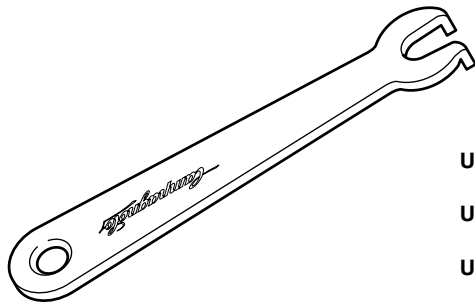
**UT-FC030:** Chiave a brugola da 5 mm

**UT-FC030:** 5 mm allen key

**UT-FC030:** Clé à pans creux de 5 mm

**UT-FC030:** 5 mm L-Schlüssel

**CRANKS /  
CHAINRINGS /  
BRAKES**

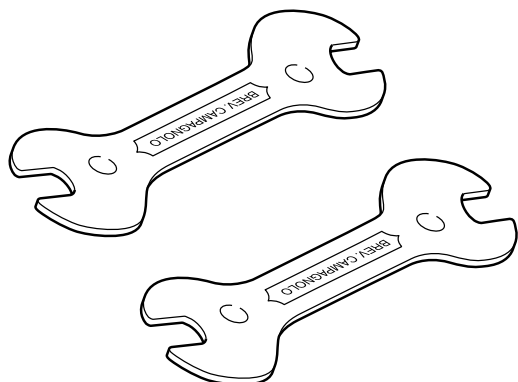


**UT-FC040:** Chiave per dadi fissaggio ingranaggi

**UT-FC040:** Spanner for chainring retaining nuts

**UT-FC040:** Clé pour écrous de fixation plateaux de pédaliers

**UT-FC040:** Schlüssel zur Befestigung von Kettenblattbolzen



**UT-BR010:** Coppia chiavi 13-14 per registrazione freni e coni mozzi

**UT-BR010:** Pair of 13-14 mm spanners for adjusting brakes and hub cones

**UT-BR010:** Paire clés 13-14 pour réglage freins et cônes de moyeux

**UT-BR010:** 13-14 mm Schlüssel (2 Stücke) zum Einstellen von Bremsen und Nabelkonusen

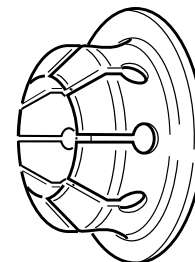
## HUBS & WHEELS

**UT-HU090:** Attrezzo per montaggio cricchetti ruota libera su mozzi standard e HPW

**UT-HU090:** freewheel-pawl assembling tool (standard and HPW-hubs)

**UT-HU090:** Outil pour montage cliquets de roue-libre sur moyeux standard et HPW

**UT-HU090:** Werkzeug zur Montage der Kassettenkörper-Sperrklinken (Standard- und HPW-Nabe)

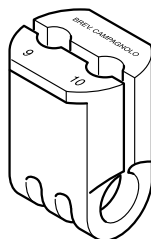


**UT-HU020:** Pinza per perni filettati mozzi

**UT-HU020:** Hub axle vise

**UT-HU020:** Pince pour axes filetés de moyeux

**UT-HU020:** Klemmvorrichtung für Naben-Achsgewinde

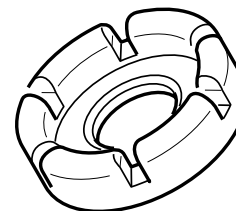


**UT-HU050:** Tiraraggi

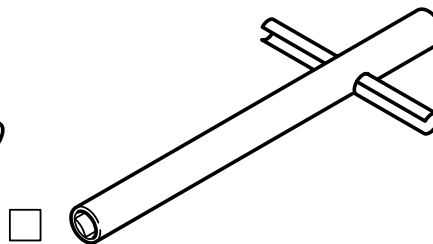
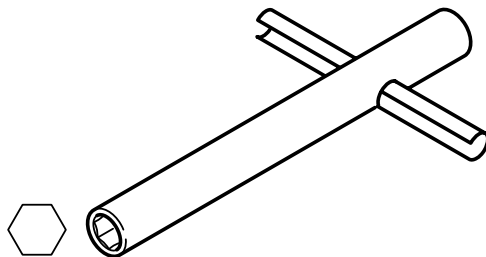
**UT-HU050:** Spoke wrench

**UT-HU050:** Clé à rayons

**UT-HU050:** Speichenschlüssel



## HUBS & WHEELS



**UT-HU070:** Chiave per raggi ruote Shamal, Vento e Zonda (fino a gamma '98 - per gamma '99 e successive vedi pag. 107)

**UT-HU070:** Shamal, Vento and Zonda wheel truing tool (till '98 range - from '99 range see page 107)

**UT-HU070:** Clé à rayons pour roues Shamal, Vento et Zonda (jusqu'à la gamme '98 - pour la gamme '99 et suivantes v. page 107)

**UT-HU070:** Nippelspanner für Shamal, Vento und Zonda (bis '98 Produktlinie - ab '99 Produktlinie siehe S. 107)

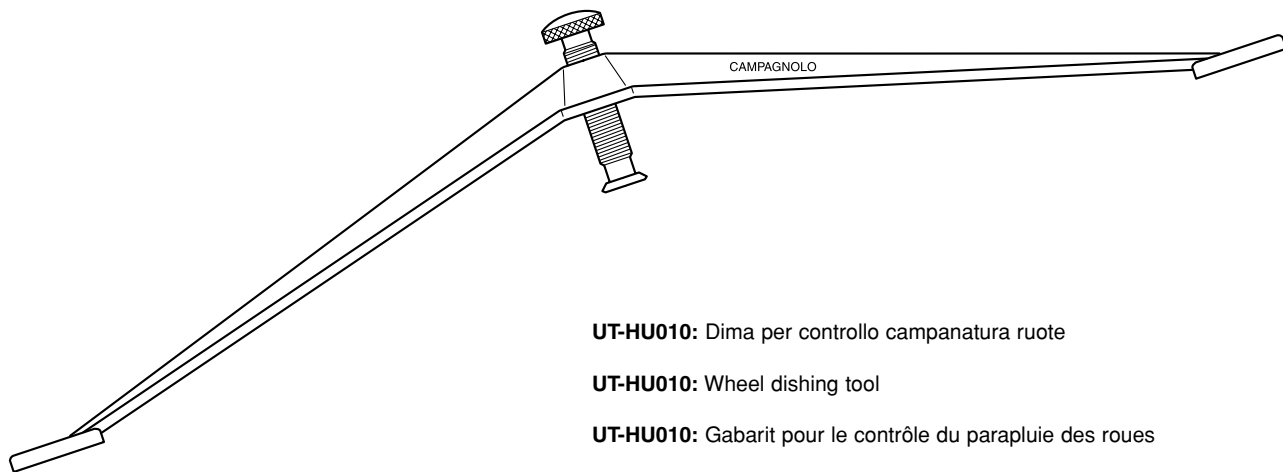
**UT-HU060:** Chiave per raggi ruote Bora

**UT-HU060:** Bora wheel truing tool

**UT-HU060:** Clé à rayons pour roues Bora

**UT-HU060:** Vierkant-Nippelspanner für Bora

## **HUBS & WHEELS**



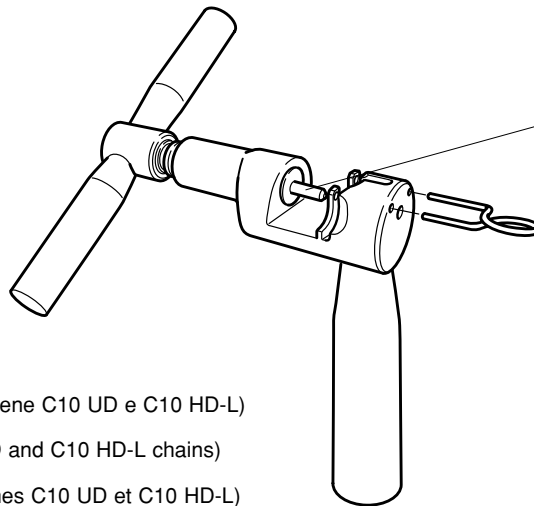
**UT-HU010:** Dima per controllo campanatura ruote

**UT-HU010:** Wheel dishing tool

**UT-HU010:** Gabarit pour le contrôle du parapluie des roues

**UT-HU010:** Zentrierbügel

## **SPROCKETS / CHAIN**



**UT-CN201:** Spintore per UT-CN200

**UT-CN201:** Pusher for UT-CN200

**UT-CN201:** Poinçon pour UT-CN200

**UT-CN201:** Schieber für UT-CN200

**UT-CN200:** Utensile per **HD-Link** (catene C10 UD e C10 HD-L)

**UT-CN200:** Tool for **HD-Link** (C10 UD and C10 HD-L chains)

**UT-CN200:** Outil pour **HD-Link** (chaînes C10 UD et C10 HD-L)

**UT-CN200:** Werkzeug für **HD-Link** (C10 UD und C10 HD-L Ketten)

**UT-CS060:** Chiave con catena 10s per smontaggio pignoni 10s, 9s e 8s

**UT-CS060:** Spanner with 10s chain for 10, 9 and 8s sprockets

**UT-CS060:** Fouet à chaîne 10s pour pignons 10s, 9s et 8s

**UT-CS060:** Zahnkranzabnehmer mit Rennkette 10s für 10-, 9- und 8s Ritzeln

## Utensili raccomandati reperibili in commercio

---

### Recommended tools, commercially available

- Cacciavite a croce PH 1 (Phillips)
  - Chiave a manico di cacciavite con esagono da 5mm per ruote:
    - Nucleon ed Electron
    - Shamal e Vento (solo da gamma '99 - per gamme precedenti vedi pag. 104)
  - Chiave a brugola da 2,5 mm per registrazione mozzi
  - Chiave a brugola da 3 mm per blocchetti fermaguaine
  - Chiave a brugola da 5 mm per freni, Ergopower, ecc.
  - Chiave dinamometrica con chiave a brugola da 8 mm per montaggio viti pedivelle
  - Chiave fissa da 17 mm per controdado mozzo posteriore
  - Chiave a bussola da 24 mm per utensile fissaggio calotte mov. centrale Daytona/Centaur, Veloce, Mirage (UT-BB100 - pag. 97)
  - Maschio M10 x 1 per ripasso occhiello attacco cambio su forcellini
- 

- Phillips type screwdriver
- 5 mm nut driver for wheels:
  - Nucleon and Electron
  - Shamal and Vento (only from '99 range - for previous versions see page 104)
- 2.5 mm allen key, for hub lock nut
- 3 mm allen key, for downtube adjusters
- 5 mm for brakes, Ergopower levers, etc.
- Torque wrench fitted with 8 mm allen key
- 17 mm hexagonal wrench, for rear hub axle nut
- 24 mm hexagonal wrench for Daytona/Centaur, Veloce, Mirage bottom bracket tool (UT-BB100 on page 97)
- M10 x 1 tap for recutting rear derailleur hanger thread

---

## ITALY - Central Service Center

---

### CAMPAGNOLO SRL HEADQUARTERS

Via della Chimica, 4 - 36100 VICENZA

Phone: +39-0-444-225605

Fax: +39-0-444-225400

E-mail: service@campagnolo.com

---

## AUSTRALIA

---

### BIKE SPORTZ IMPORTS

11 Macbeth Street,

Braeside, Victoria 3195 NSW

Phone: +61-3-95872344

Fax: +61-3-95876951

---

### CYCLING PROJECTS

80 King Street,

NSW 2193 Ashbury

Phone: +61-2-97992407

Fax: +61-2-97879940

---

## AUSTRIA

---

### WEKU HANDELS GMBH

Rebgarten, 6 - 6973 HÖCHST

Phone: +43-5578-74911

Fax: +43-5578-74912

---

## BENELUX

---

### CARD BENELUX BV

Vaartveld 19 - 4704 SE ROSENDAAL

Netherlands

Phone: +31-165-564241

Fax: +31-165-563248

---

---

## BENELUX (continued)

---

### FA. WOUT VERHOEVEN

Rodenrijseweg 409 -

2651 AM BERKEL EN RODENRIJS

Netherlands

Phone: +31-10-5115014

Fax: +31-10-5117708

---

### I.C.C.

### INTERNATIONAL CYCLE CONNECTION

Weststraat 42

P.O. Box 73 - 4527 ZH AARDENBURG

Netherlands

Phone: +31-117-492820

Fax: +31-117-492835

---

## CANADA

---

### CYCLES MARINONI INC

1067, Levis - LACHENAIE - QUEBEC J6W 4L2

Phone: +1-450-4717133

Fax: +1-450-4719887

---

### GREAT WESTERN BICYCLE CO. LTD.

233 West Broadway

VANCOUVER BC V5Y 1P5

Phone: +1-604-8722424

Fax: +1-604-87202226

---

## CZECH REPUBLIC

---

### KOLA SIRER

P.O. Box 107 - 26601 BEROUN 1

Phone: 00420-311-621355

Fax: 00420-311-625492

---

---

## DENMARK

---

### AAGE KROLL A/S

Jydekrogen 18 - 2625 VALLENSBAEK

Phone: +45-43-660066

Fax: +45-43-660099

---

### MARKER SCANDINAVIA

Industrivej 1D - DK-4000

Roskilde - DENMARK

Phone: +45-40210140

Fax: +45-46-498088

---

## FINLAND

---

### VELOSPORT KY

Mäkelänkatu, 95 - 00610 HELSINKI P

Phone: +358-9-7571377

Fax: +358-9-795498

---

## FRANCE

---

### CAMPAGNOLO FRANCE

3, Rue du 8 Mai - B.P. 148

42160 ANDREZIEUX - BOUTHEON CEDEX

Phone: +33-477-556305

Fax: +33-477-556345

---

## GERMANY

---

### CAMPAGNOLO DEUTSCHLAND GMBH

An der Schusterinsel, 15

51379 LEVERKUSEN

Phone: +49-2171-72430

Fax: +49-2171-724315

---



---

**GREECE**

---

**CYCLES FIDUSA**

Th. Sofuli 97 - 85100 RHODOS  
 Phone: +30-241-21264  
 Fax: +30-241-21519

---

**JAPAN**

---

**KAWASHIMA CYCLE SUPPLY CO.**

N. 4-2-4, Kushiya-cho Higashi, Sakai  
 OSAKA, 590-0944  
 Phone: +81-722-38-6126  
 Fax: +81-722-21-4379

**NICHINAO SHOKAI CO., LTD**

6-16-8, Sotokanda, Chiyodaku - TOKYO 101  
 Phone: +81-3-38326251  
 Fax: +81-3-38326266

---

**NEW ZEALAND**

---

**WH WORRALL CO. LTD.**

43 Felix St./Penrose - P.O. Box 12481  
 AUCKLAND  
 Phone: +64-9-6360641  
 Fax: +64-9-6360631

---

**SOUTH AFRICA**

---

**CYCLING J&J (PTY) LTD**

169 Meerlust Street - Willow Glen  
 PRETORIA  
 Phone: +27-012-8075570  
 Fax: +27-012-8074267

---

**SPAIN**

---

**CAMPAGNOLO IBERICA S.L.**

Avda. de Los Huetos 46 Pab. 31 - 01010  
 VITORIA  
 Phone: +34-945-217195  
 Fax: +34-945-217198

---

**SWEDEN**

---

**RACERDEPAN**

Odengatan, 38 - 52141 FALKÖPING  
 Phone: +46-515711430  
 Fax: +46-51559430

---

**SWITZERLAND**

---

**PIERO ZURINO AG**

Flawilerstrasse 3a  
 9500 WIL SG  
 Phone: +41-71-9236001  
 Fax: +41-71-9236353

**U.G.D. SPORT DIFFUSION S.A.**

La Taille - 2053 CERNIER  
 Phone: +41-32-8536363  
 Fax: +41-32-8536464

---

**UNITED KINGDOM**

---

**SELECT CYCLE COMPONENTS**

Unit 3, Napoleon Business Park  
 Wheterby Road - DERBY - DE24 8HL  
 Phone: +44-1332-371176  
 Fax: +44-1332-371179

---

**UNITED STATES**

---

**CAMPAGNOLO USA INC.**

2105-L Camino Vida Roble  
 CARLSBAD - CA 92009  
 Phone: +1-760-9310106  
 Fax: +1-760-9310991

**OCHSNER INT. INC**

246 E. Marquardt Drive - WHEELING  
 IL. 60090-6430  
 Phone: +1-847-4658200  
 Fax: +1-847-4658282

**PERFORMANCE CYCLE PRODUCTS**

22 South 6th Avenue  
 Mount Vernon, NY 10550  
 Phone: +1-914-6991668  
 Fax: +1-914-6991875

**QUALITY BICYCLES PRODUCTS**

6400 W. 105th Street - BLOOMINGTON,  
 MN 55438-2554  
 Phone: +1-952-941-9391  
 Fax: +1-952-941-9799