

Campagnolo[®]

2002

SPARE PARTS

&

TOOLS CATALOGUE

VISITA IL NOSTRO SITO ALL'INDIRIZZO

www.campagnolo.com

potrai trovare una panoramica completa dei prodotti della gamma in corso, moltissime informazioni utili da poter consultare e prelevare (come i cataloghi ricambi e i manuali ruote) e varie informazioni interessanti nella rubrica delle Q&A.

CAMPAGNOLO WEBSITE:
TECNOLOGIA ED INFORMAZIONE!

P.S. La documentazione tecnica è disponibile in formato ".pdf" e può essere letta con l'applicazione "Acrobat Reader 3.0 o superiore" (prelevabile dal nostro sito).

VISIT OUR WEB SITE AT

www.campagnolo.com

you will find the detailed presentation of the current product range and a vast array of useful and downloadable information (like the spare parts catalogue and the wheel manuals) plus various interesting information in the Q&A's pages.

CAMPAGNOLO WEBSITE:
TECHNOLOGY AND INFORMATION!

P.S. The technical documentation is in ".pdf" format and can be browsed using the "Acrobat Reader 3.0 or superior" application (downloadable from our site).

VISITEZ NOTRE SITE A L'ADRESSE SUIVANTE

www.campagnolo.com

Vous pourrez y trouver une présentation complète des produits de la gamme actuelle, de très nombreuses informations utiles que vous pourrez consulter et télécharger (telles que nos catalogues de pièces de rechange et les manuels des roues), ainsi que divers renseignements sous la rubrique des Q&A (questions les plus souvent posées).

LE SITE CAMPAGNOLO:
TECNOLOGIE ET INFORMATIONS!

P.S. : La documentation technique est disponible en format ".pdf" et peut être lue avec le programme „Acrobat Reader 3.0" ou la version supérieure (que vous pouvez également télécharger à partir de notre site).

BESUCHEN SIE UNSERE HOMEPAGE

www.campagnolo.com

dort finden Sie eine komplette Übersicht über das gesamte aktuelle Produktprogramm, dazu jede Menge nützliche Informationen zum Ansehen und Herunterladen (wie die Ersatzteilkataloge und die Handbücher für die Laufräder) und außerdem viele interessante Informationen in der Rubrik Q&A.

CAMPAGNOLO WEBSITE:
TECNOLOGIE UND INFORMATION!

P.S. Die technischen Unterlagen sind im Format ".pdf" verfügbar und können mit der Anwendung "Acrobat Reader 3.0 oder höher" (Download an unserer URL) gelesen werden.

VISITA NUESTRA WEB EN LA DIRECCION

www.campagnolo.com

allí encontrarás un panorama completo de los productos actualmente en gama, un sinfín de informaciones útiles para consultar y descargar (como por ejemplo los catálogos de repuestos y manuales de ruedas), e interesantes informaciones en la sección Q&A.

CAMPAGNOLO WEBSITE:
TECNOLOGIA E INFORMACION!

P.S.: la documentación técnica está disponible en formato ".pdf", pudiendo leerla con la aplicación "Acrobat Reader 3.0" o superior (se puede descargar desde nuestra web).

BEZOEK ONZE WEBSITE

www.campagnolo.com

Je vindt er een gedetailleerde presentatie van het nieuwste onderdelenprogramma en zeer bruikbare, te downloaden, informatie (zoals spare parts catalogussen en handleidingen voor wielen). Bovendien vindt je nuttige informatie in de Q&A pagina's.

CAMPAGNOLO WEBSITE:
TECNOLOGIE EN INFORMATIE!

P.S. De technische handleidingen zijn opgemaakt in "pdf" formaat en kunnen bekeken worden met de "Acrobat Reader 3.0 of hoger" applicatie (te downloaden van onze site).

SERIE STERZO • HEADSET • STEUERSATZ • JEU DE DIRECTION

Record.....	1
Record Threadless 1" - 1 1/8".....	1
Record Hiddenset 1" - 1 1/8" / TTC 1 1/8".....	2
Chorus.....	3
Chorus Threadless.....	3

REGGISELLA • SEAT POST • SATTELSTÜTZE • TIGE DE SELLE

Record Carbon.....	4
Chorus Titanium.....	4
Centaur.....	4

MOVIMENTO CENTRALE • BOTTOM BRACKET • TRETLAGER • JEU DE PEDALIER

Record.....	5
Chorus.....	5
Record Pista.....	5
AC-H.....	6
AC-S.....	6

GUARNITURA • CRANKSET • KURBELSATZ • JEU DE MANIVELLES

Record.....	7
Record Carbon.....	8
Record Triple.....	9
Record Pista.....	10
Chorus.....	11
Centaur.....	12
Centaur Triple.....	13
Veloce.....	14
Veloce Triple.....	15
Mirage / Xenon.....	16
Mirage Triple / Xenon Triple.....	17
Chrono / Triathlon.....	18

CAMBIO • REAR DERAILLEUR • SCHALTWERK • DERAILEUR ARRIERE

Record.....	19
Chorus.....	20

Centaur.....	21
Veloce.....	22
Mirage.....	23
Xenon.....	24

DERAGLIATORE • FRONT DERAILLEUR • KETTENWERFER • DERAILLEUR AVANT

Record.....	25
Chorus.....	25
Record Triple.....	26
Centaur.....	27
Centaur Triple.....	28
Veloce.....	28
Mirage.....	29
Xenon.....	30

ERGOPOWER

Record.....	31
Chorus.....	32
Centaur.....	33
Veloce.....	34
Mirage.....	35
Xenon.....	36
Ergopowers / rear derailleurs cross compatibility.....	37

FRENI • BRAKES • BREMSSEN • FREINS

Record-D - Record.....	39
Chorus-D - Chorus.....	40
Centaur.....	41
Veloce.....	42
Mirage.....	43
Xenon.....	44

BAR-END

Bar-End Chrono/Triathlon.....	45
-------------------------------	----

COMANDI FRENO • BRAKE LEVERS • BREMSHEBEL • POIGNEES DE FREINS

Record Carbon.....	46
--------------------	----

BLOCCAGGI • QUICK RELEASE SKEWERS • SCHNELLSPANNER • BLOCAGES

Record - Bora - Eurus - Ghibli - Hyperon - Neutron.....	47
Chorus.....	48
Centaur - Proton - Zonda - Veloce - Scirocco.....	49

MOZZI • HUBS • NABEN • MOYEUX

Record / Chorus / Centaur front hub.....	50
Record - Chorus - Centaur rear hub.....	51
Veloce / Mirage / Xenon rear hub.....	52
Record Pista.....	53

GHIERE • LOCKRINGS • VERSCHLUSSRING • ECROUS

All range.....	55
----------------	----

PIGNONI • SPROCKETS • RITZEL • CASSETTES

Record UD 10s.....	56
Record UD 10s Titanium.....	57
Chorus UD 10s.....	58
Centaur UD 10s.....	59
Veloce UD 9s (Mirage UD 9s compatible).....	60
Various.....	61

PEDALI • PEDALS • PEDALE • PEDALES

Record Pro-Fit PLUS.....	62
Chorus Pro-Fit PLUS.....	62
Centaur Pro-Fit PLUS.....	62
Pro-Fit PLUS spare parts.....	63

CAVI E GUAINA • CABLES AND CASINGS • KABELN UND HÜLLEN • CABLES ET GAINES

Complete sets.....	65
Spare parts.....	66

ERGOBRAIN

Spare parts.....	67
------------------	----

VARI • VARIOUS • VERSCHIEDENES • DIVERSES

Cable guide plates / Ergopower blocks / 8s adapter kit for 9/10s / Perma-Link for C10 UD chain.....	69
Blister-packed spare parts.....	70

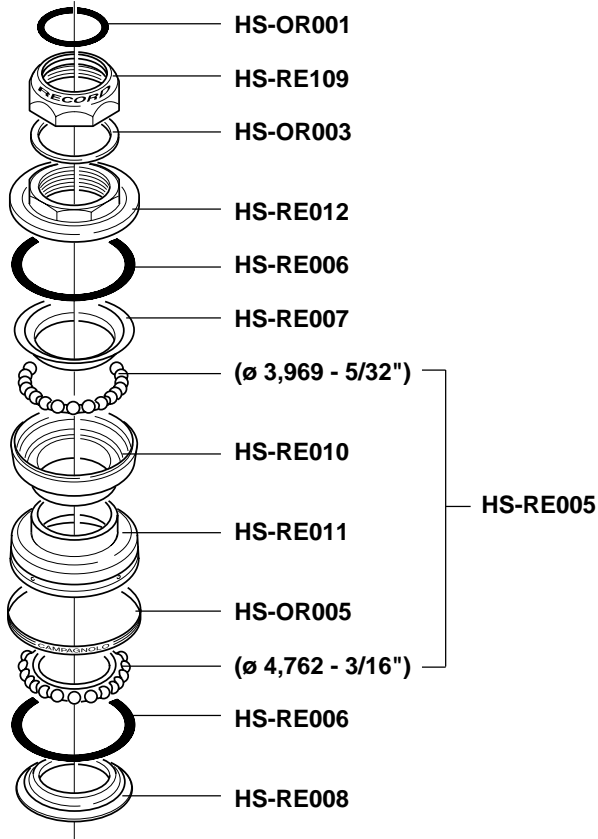
RUOTE • WHEELS • LAUFRÄDER • ROUES

Bora 9s / 10s.....	71
Eurus 9s / 10s.....	72
Hyperon 9s / 10s.....	73
Neutron 9s / 10s.....	74
Pista.....	75
Proton 9s / 10s.....	76
Scirocco 9s / 10s.....	77
Zonda 9s / 10s.....	78
Bora / Neutron / Eurus front hub.....	79
Bora / Neutron / Eurus rear hub.....	80
Hyperon front hub.....	81
Hyperon rear hub.....	82
Proton / Zonda front hub.....	83
Proton / Zonda rear hub.....	84
Scirocco front hub.....	85
Scirocco rear hub.....	86
Pista front hub.....	87
Pista rear hub.....	88

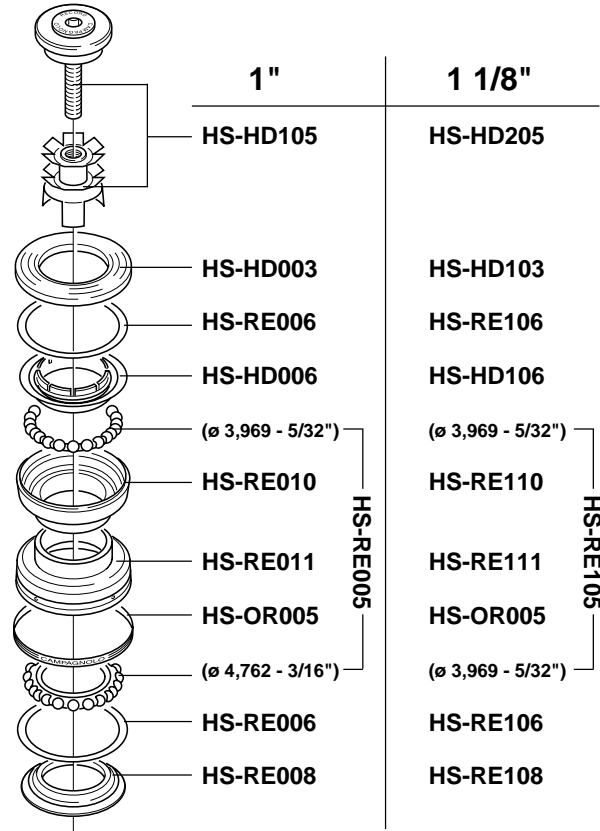
UTENSILI • TOOLS • WERKZEUG • OUTILS

Headset.....	89
Bottom bracket.....	94
Frame preparation.....	99
Cranks / chainrings.....	101
Hubs & wheels.....	103
Sprockets / chains.....	106
Recommended tools.....	107
Service Centers.....	108

**RECORD
HS00-RE**



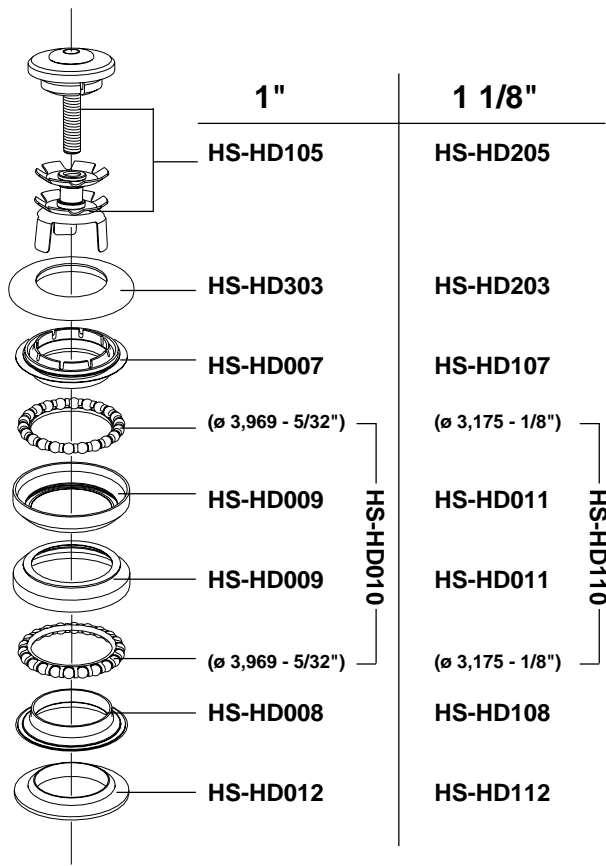
**RECORD THREADLESS
1": HS00-RETH
1 1/8": HS00-RETHOS**



RECORD Hiddenset

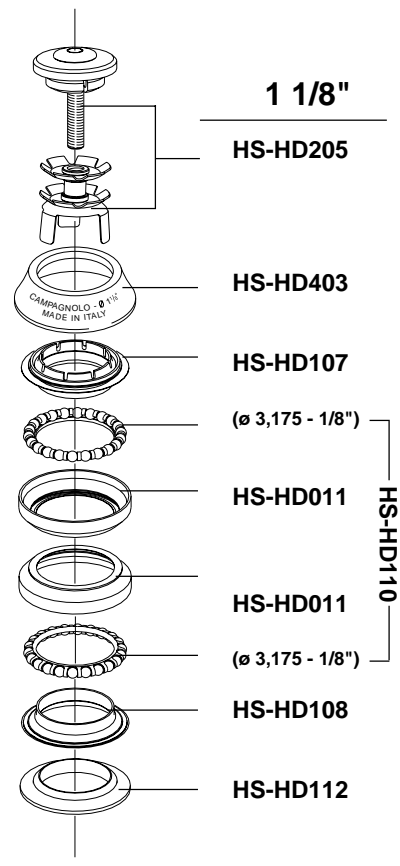
1" : HS01-REHI

1-1/8" : HS01-REHIOS

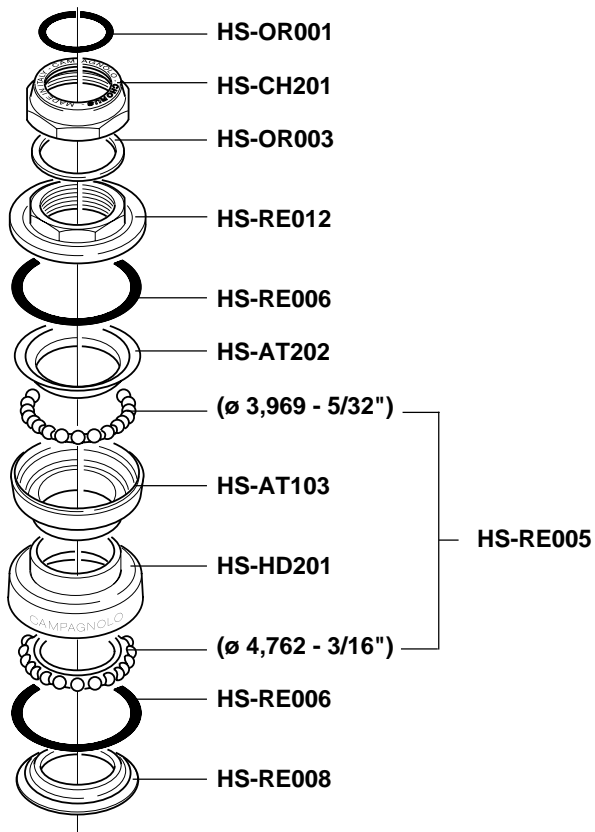


RECORD Hiddenset TTC

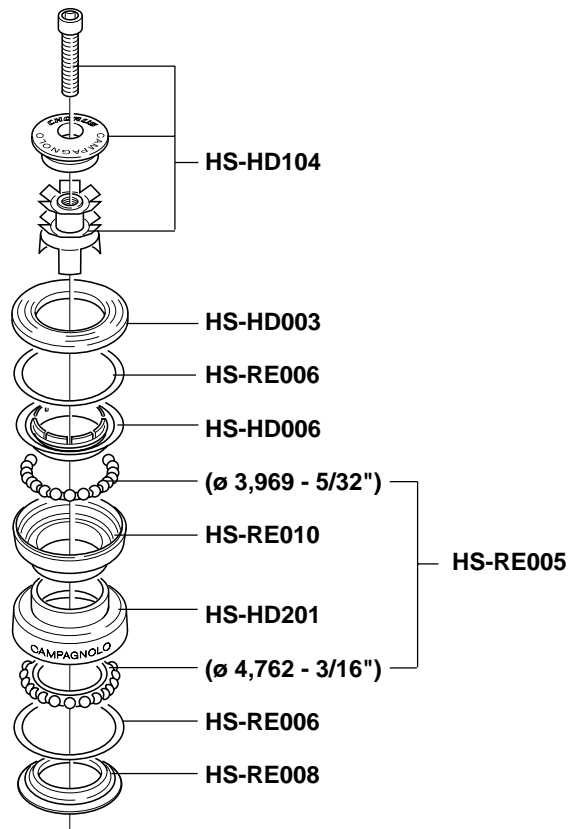
1-1/8" : HS01-REHIOST



**CHORUS
HS00-CH**



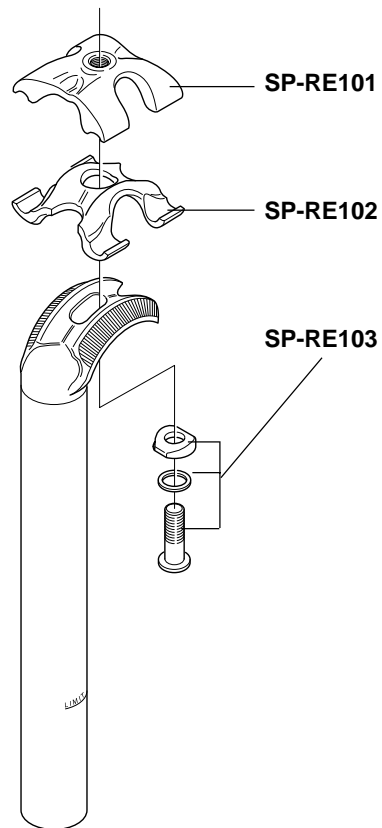
**CHORUS THREADLESS
HS00-CHTH**



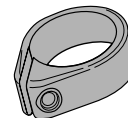
RECORD
Carbon
SP01-RE272C
SP01-RE272CL

CHORUS
Titanium
SP01-CH272T

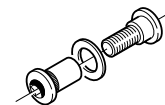
CENTAUR
SP02-CE272



SP-RE106
per tubi Ø 31,6 / 31,9 mm
for tubes Ø 31.6 / 31.9 mm



SP-RE104

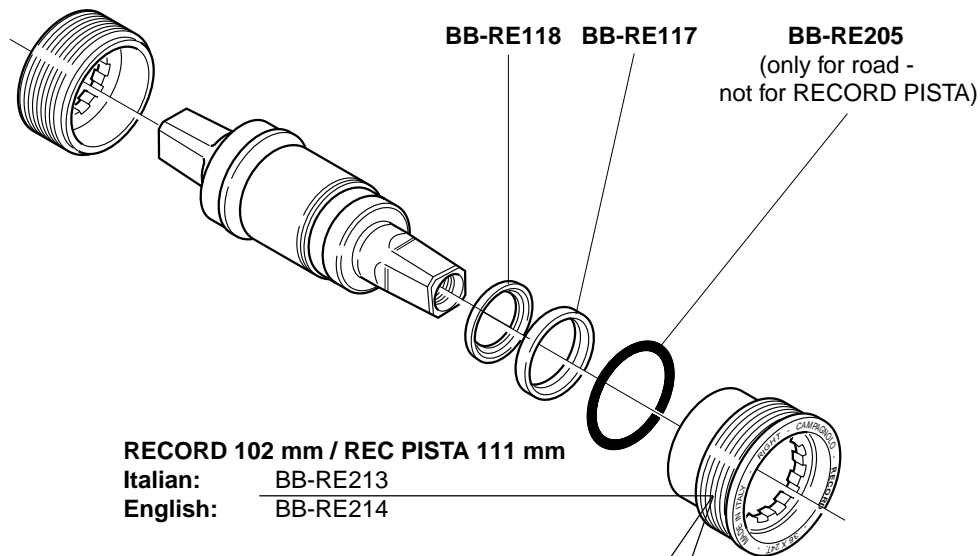


RECORD 102 mm
BB99-RE02IT
BB99-RE02BC

RECORD TRIPLE
111 mm
asymmetrical
BB02-RE11IT
BB02-RE11BC

CHORUS 102 mm
BB99-CH02IT
BB99-CH02BC

RECORD PISTA
111 mm
BB01-REPIIT
BB01-REPIBC



RECORD 102 mm / REC PISTA 111 mm

Italian: BB-RE213

English: BB-RE214

RECORD TRIPLE 111mm

Italian: BB-RE313

English: BB-RE314

CHORUS

Italian: BB-CH213

English: BB-CH214

AC-H

111mm

BB00-AH11IT
BB00-AH11BC

115,5 mm

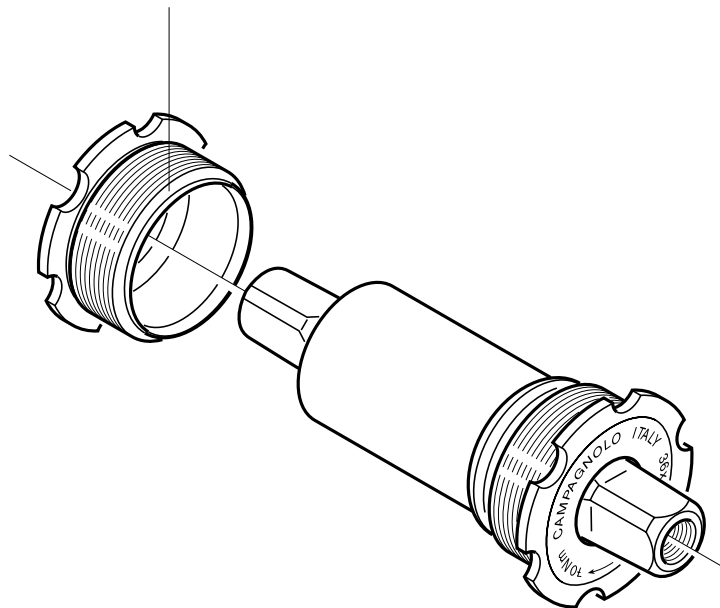
BB00-AH15IT
BB00-AH15BC

AC-S

111mm

BB00-AS11IT
BB00-AS11BC

ITALIAN: **BB-AH001**
ENGLISH: **BB-AH003**



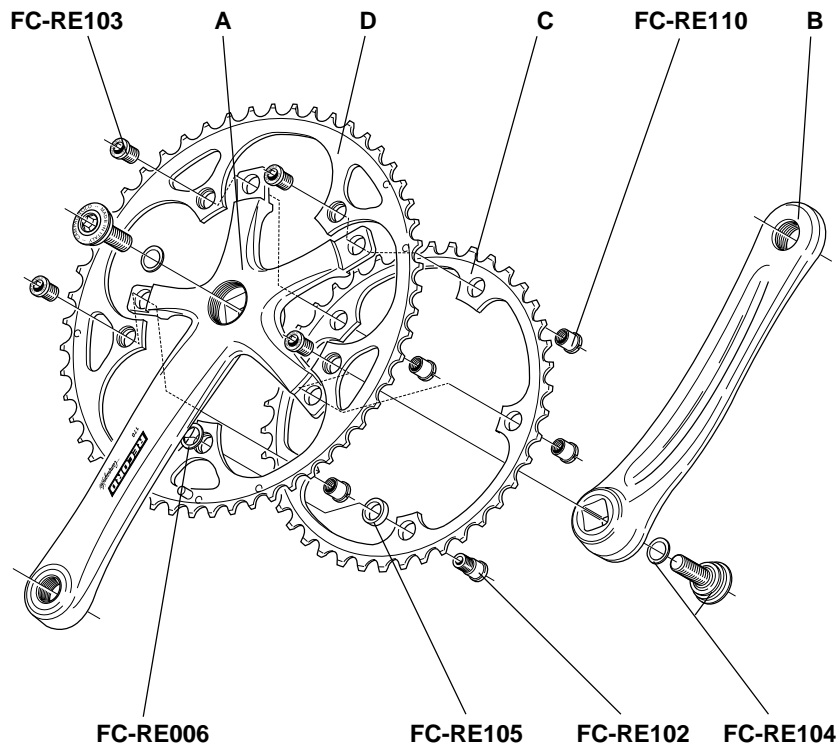
RECORD 10s
FC00-RE...10

A	L170	FC-RE760
	L172,5	FC-RE762
	L175	FC-RE764
	L177,5	FC-RE766
	L180	FC-RE768

B	L170	FC-RE761
	L172,5	FC-RE763
	L175	FC-RE765
	L177,5	FC-RE767
	L180	FC-RE769

C	Z39	FC-RE039
	Z42	FC-RE142

D	Z52 for 39	FC-RE252
	Z52 for 42	FC-RE452
	Z53 for 39	FC-RE253



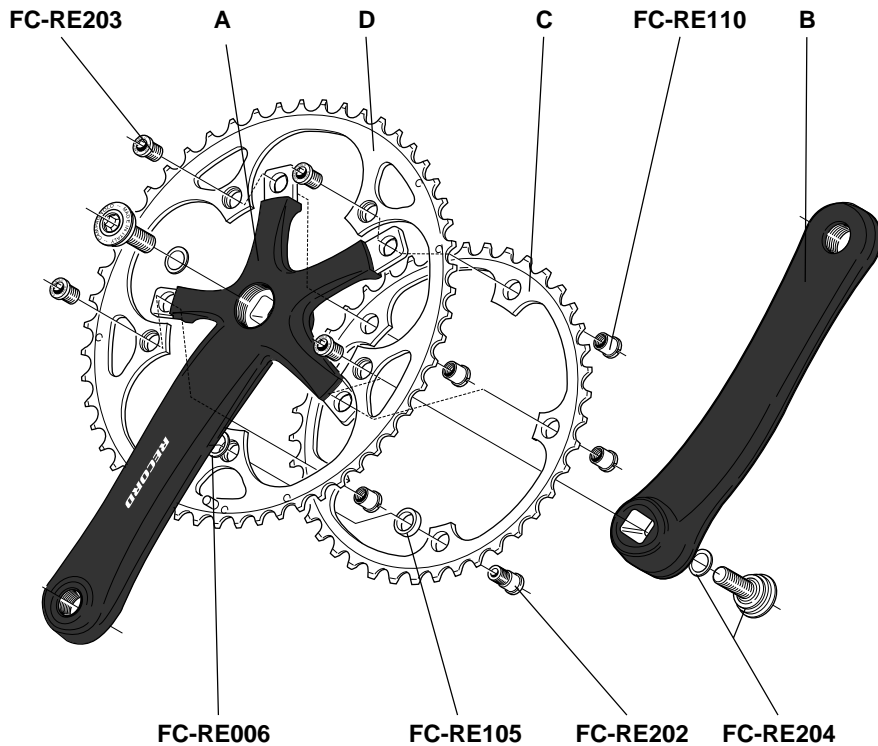
RECORD
Carbon 10s
FC02-RE...C

A	L170	FC-RE740C
	L172,5	FC-RE742C
	L175	FC-RE744C
	L177,5	FC-RE746C
	L180	FC-RE748C

B	L170	FC-RE741C
	L172,5	FC-RE743C
	L175	FC-RE745C
	L177,5	FC-RE747C
	L180	FC-RE749C

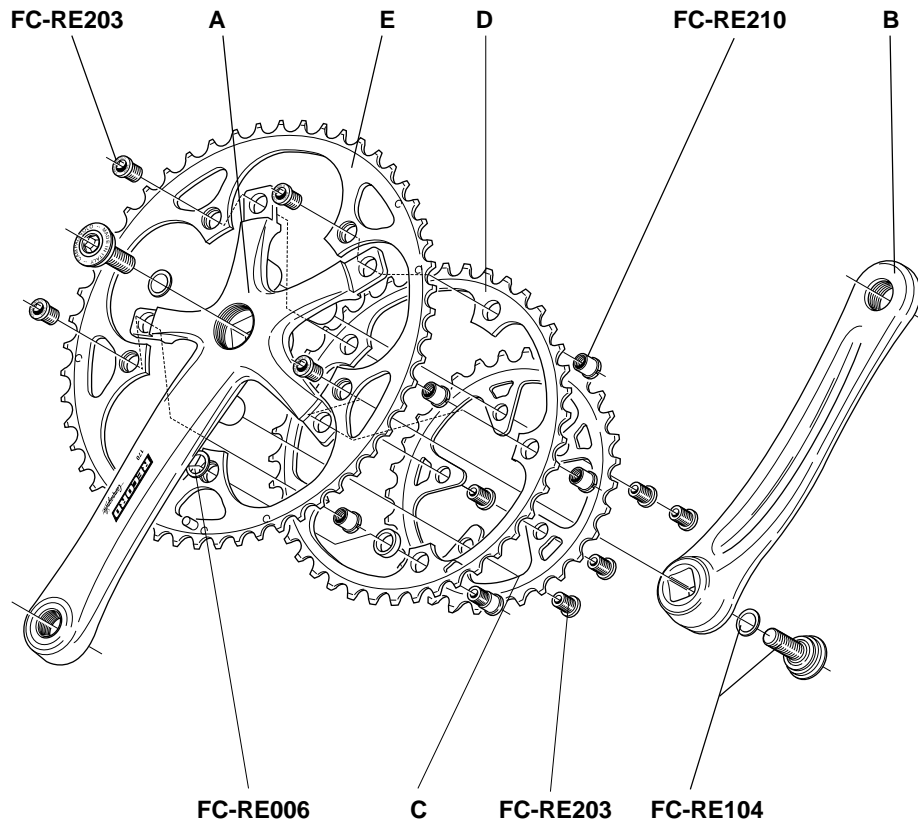
C	Z39	FC-RE039
	Z42	FC-RE142

D	Z52 for 39	FC-RE252
	Z52 for 42	FC-RE452
	Z53 for 39	FC-RE253



RECORD
TRIPLE 10s
FC02-RE....10

A	L170	FC-RE830
	L172,5	FC-RE832
	L175	FC-RE834
B	L170	FC-RE831
	L172,5	FC-RE833
	L175	FC-RE835
C	Z30	FC-RA630
D	Z42	FC-RE242
E	Z53	FC-RE353

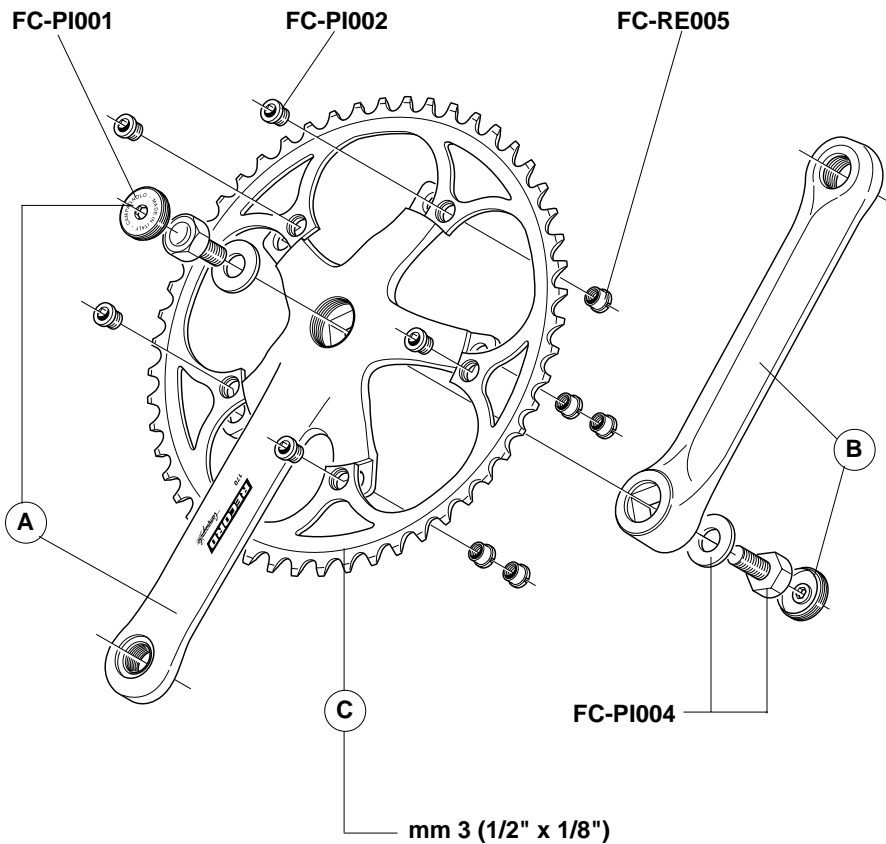


RECORD PISTA
FC01-REPI...

A	L165	FC-PI365
	L170	FC-PI370

B	L165	FC-PI465
	L170	FC-PI470

C	Z47	FC-PI047
	Z48	FC-PI048
	Z49	FC-PI049
	Z50	FC-PI050
	Z51	FC-PI051
	Z52	FC-PI052



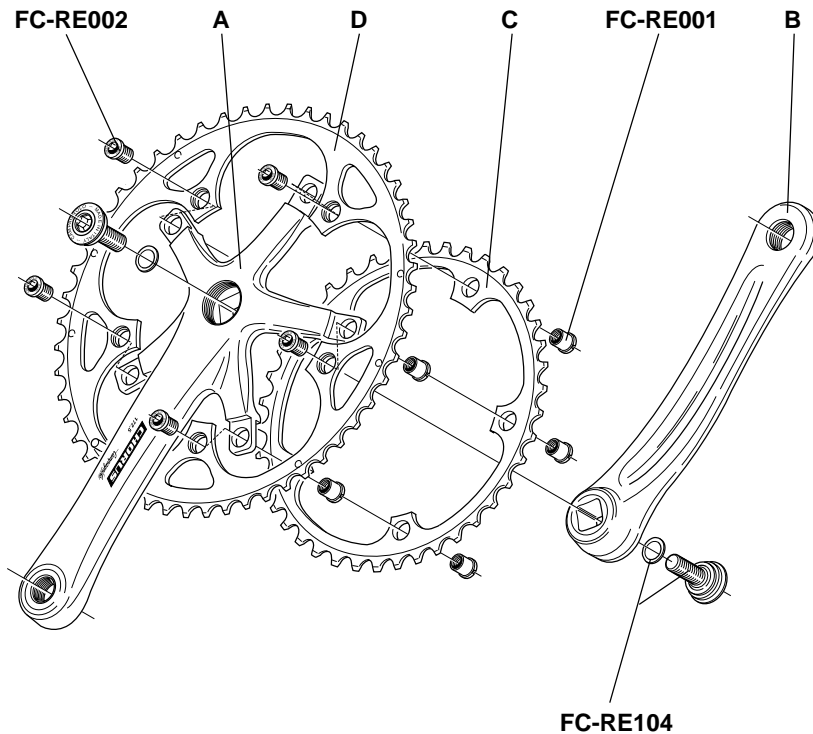
CHORUS 10s
FC00-CH...10

A	L170	FC-CH770
	L172,5	FC-CH772
	L175	FC-CH774

B	L170	FC-CH771
	L172,5	FC-CH773
	L175	FC-CH775

C	Z39	FC-RE039
	Z42	FC-RE142

D	Z52 for 39	FC-CH252
	Z52 for 42	FC-CH452
	Z53 for 39	FC-CH253



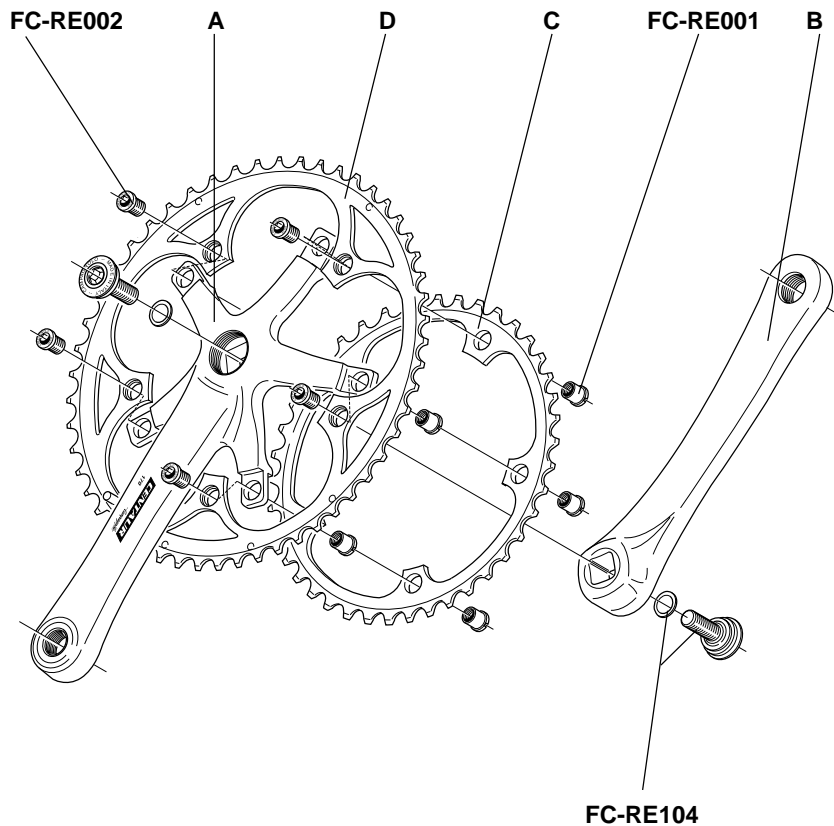
CENTAUR
9s / 10s
FC02-CE...
FC02-CE...10

		<i>9s</i>	<i>10s</i>
A	L170	FC-CE820	
	L172,5	FC-CE822	
	L175	FC-CE824	

B	L170	FC-CE821	
	L172,5	FC-CE823	
	L175	FC-CE825	

		<i>9s</i>	<i>10s</i>
C	Z39	FC-RE039	
	Z42	FC-RE042	FC-RE142

D	Z52 for 39	FC-AT152	FC-CH252
	Z52 for 42	FC-AT352	FC-CH452
	Z53 for 39	FC-AT153	FC-CH253



CENTAUR
TRIPLE 9s
FC02-CE....

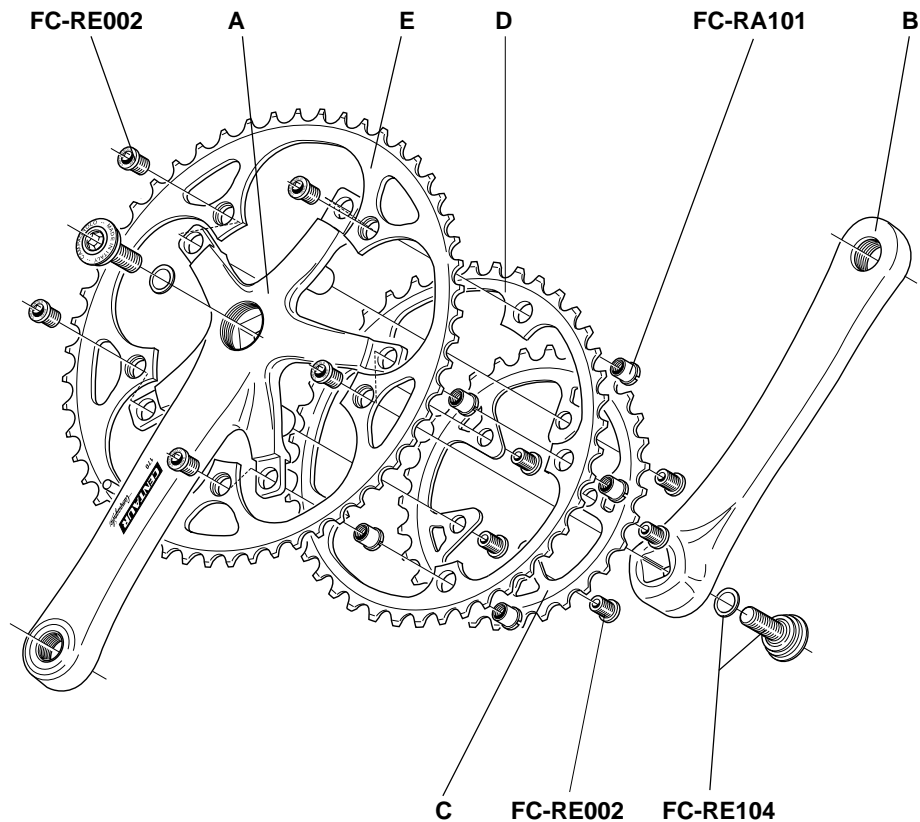
A	L170	FC-CE826
	L175	FC-CE828

B	L170	FC-CE827
	L175	FC-CE829

C	Z30	FC-RA630
---	-----	----------

D	Z40	FC-RA040
	Z42 for 30	FC-RA042

E	Z50	FC-RA050
	Z52	FC-AT352



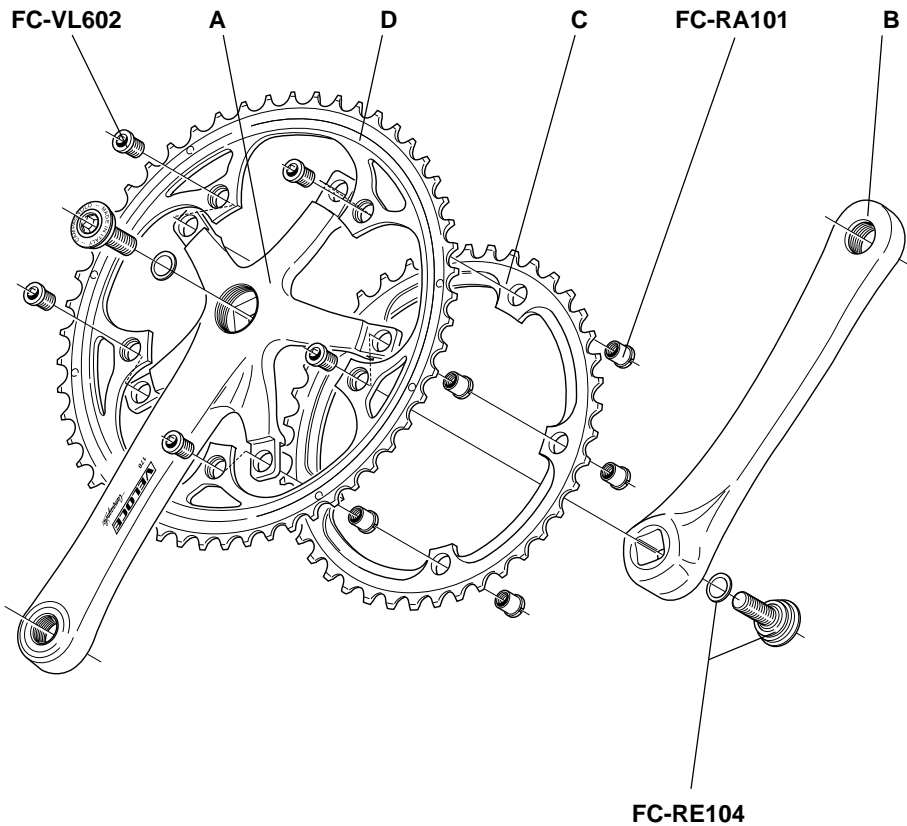
VELOCE 9s
FC01-VL...

A	L170	FC-VL790
	L172,5	FC-VL792
	L175	FC-VL794

B	L170	FC-VL791
	L172,5	FC-VL793
	L175	FC-VL795

C	Z39	FC-MI039
	Z42	FC-MI042

D	Z52 for 42	FC-MI352
	Z53 for 39	FC-MI153



VELOCE
TRIPLE 9s
FC01-VL....

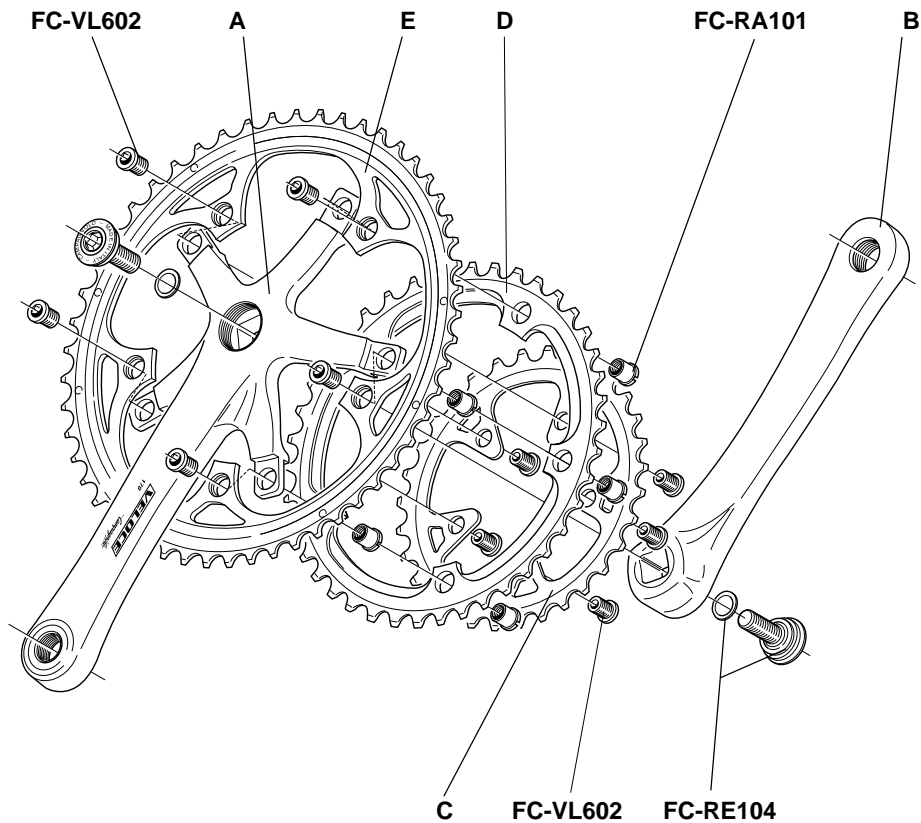
A	L170	FC-VL796
	L175	FC-VL798

B	L170	FC-VL797
	L175	FC-VL799

C	Z30	FC-MI730
---	-----	----------

D	Z42 for 30	FC-VL142
---	------------	----------

E	Z52	FC-MI352
---	-----	----------



MIRAGE 9s

FC02-MI...

XENON 9s

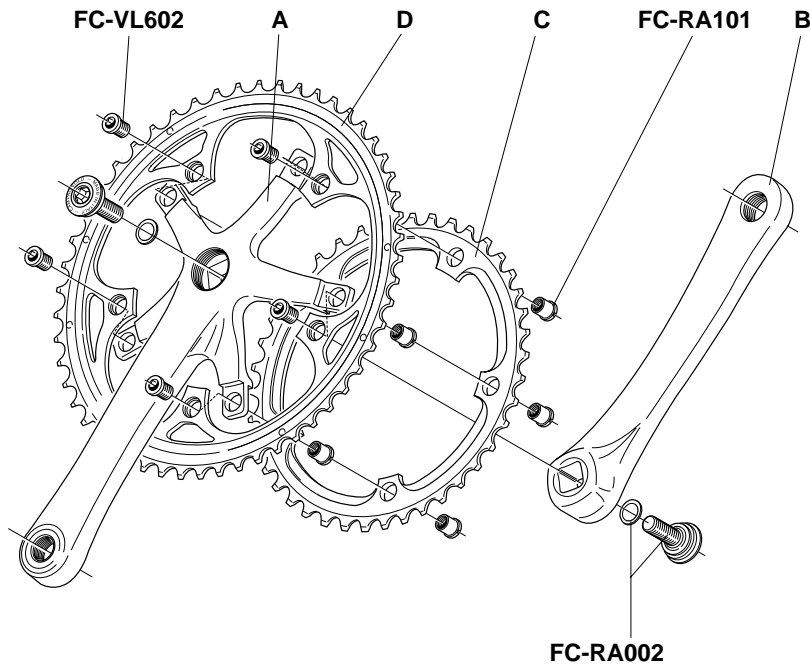
FC02-XE...

		MIRAGE	XENON
A	L170	FC-MI810	FC-XE800
	L172,5	FC-MI812	
	L175	FC-MI814	FC-XE804

B	L170	FC-MI811	FC-XE801
	L172,5	FC-MI813	
	L175	FC-MI815	FC-XE805

		MIRAGE	XENON
C	Z39	FC-MI139	
	Z42	FC-MI142	

D	Z52 for 39		FC-XE052
	Z52 for 42	FC-MI352	
	Z53 for 39	FC-MI153	



MIRAGE TRIPLE 9s

FC02-MI.....

XENON TRIPLE 9s

FC02-XE.....

MIRAGE

XENON

A	L170	FC-MI816	FC-XE806
	L175	FC-MI818	FC-XE808

B	L170	FC-MI817	FC-XE807
	L175	FC-MI819	FC-XE809

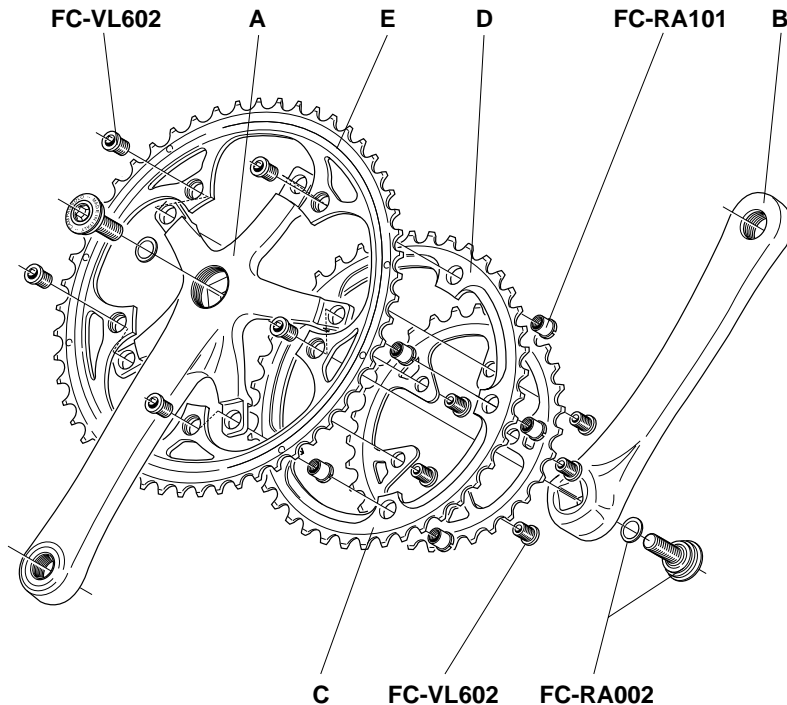
MIRAGE

XENON

C	Z30	FC-MI030	
---	-----	----------	--

D	Z42 for 30	FC-VL142	FC-XE042
---	------------	----------	----------

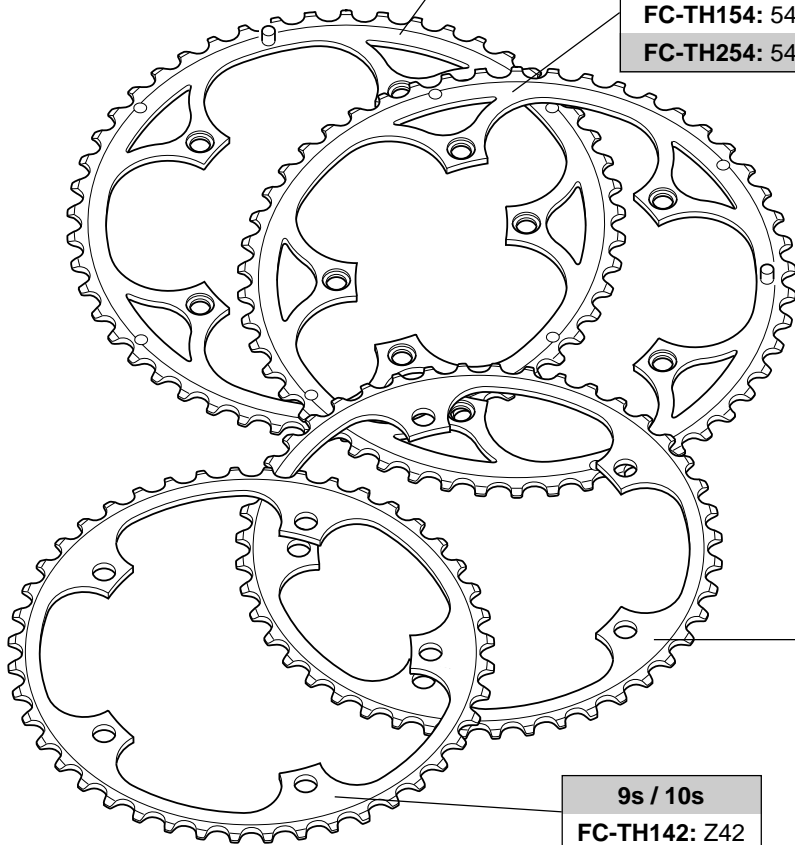
E	Z52	FC-MI352	FC-XE152
---	-----	----------	----------



CHRONO / TRIATHLON CHAINRINGS

9s	REC 10s	CHO 10s
FC-TH155: 55 for 42	FC-RETH155: 55 for 42	FC-CHTH155: 55 for 42
FC-TH255: 55 for 44	FC-RETH255: 55 for 44	FC-CHTH255: 55 for 44

9s	REC 10s	CHO 10s
FC-TH154: 54 for 42	FC-RETH154: 54 for 42	FC-CHTH154: 54 for 42
FC-TH254: 54 for 44	FC-RETH254: 54 for 44	FC-CHTH254: 54 for 44



9s / 10s
FC-TH144: Z44

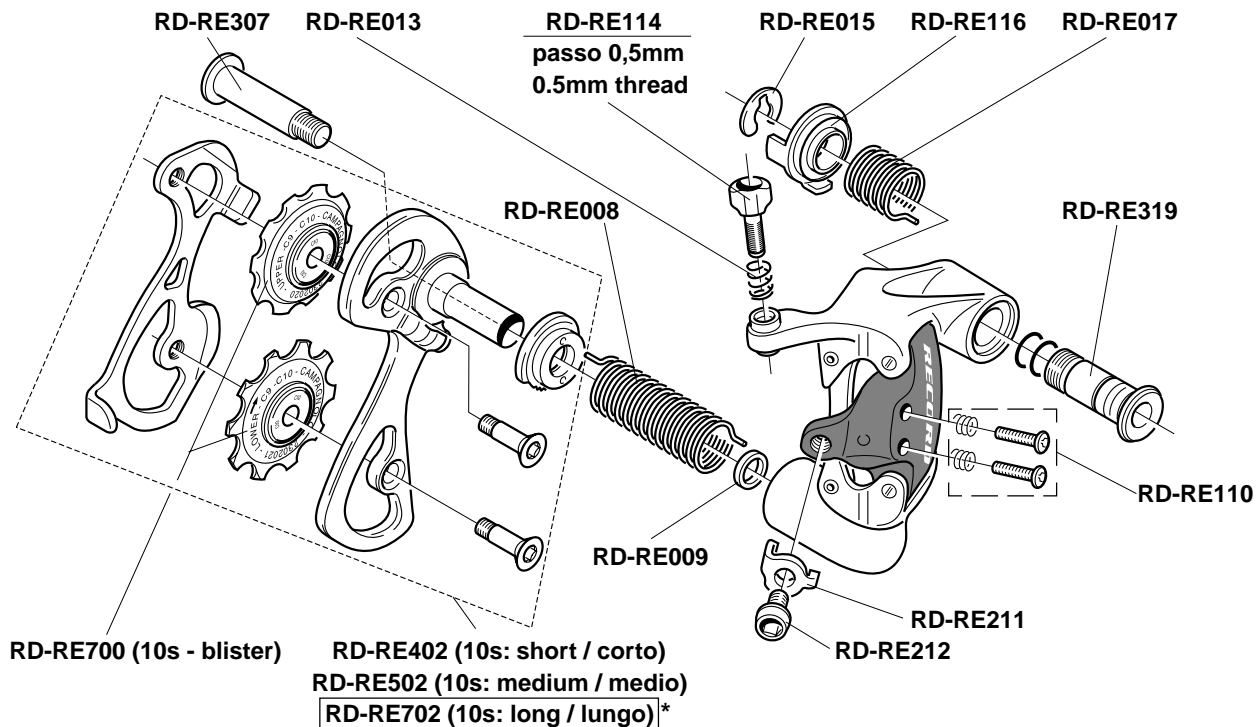
9s / 10s
FC-TH142: Z42

RECORD 10s

RD00-RE210

RD00-RE210L

RD02-RE210LL



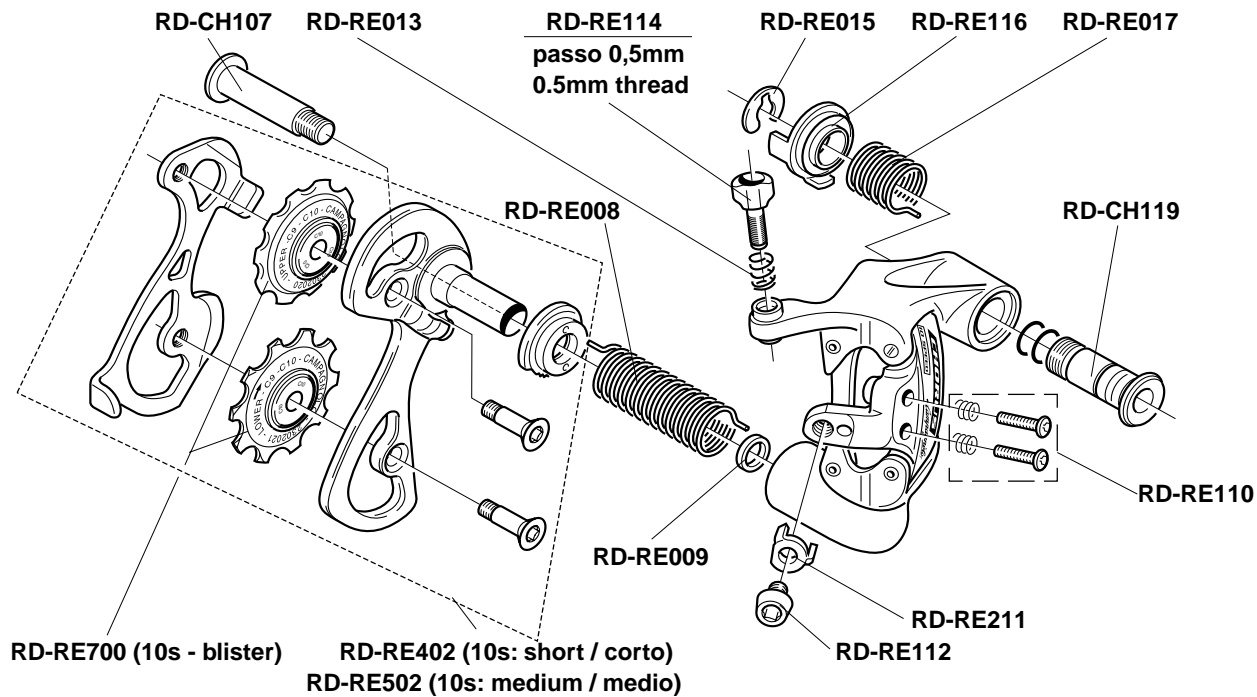
* solo per RD02-RE210LL - non compatibile con RD00-RE210 e RD00-RE210L

* only for RD02-RE210LL - not compatible with RD00-RE210 and RD00-RE210L

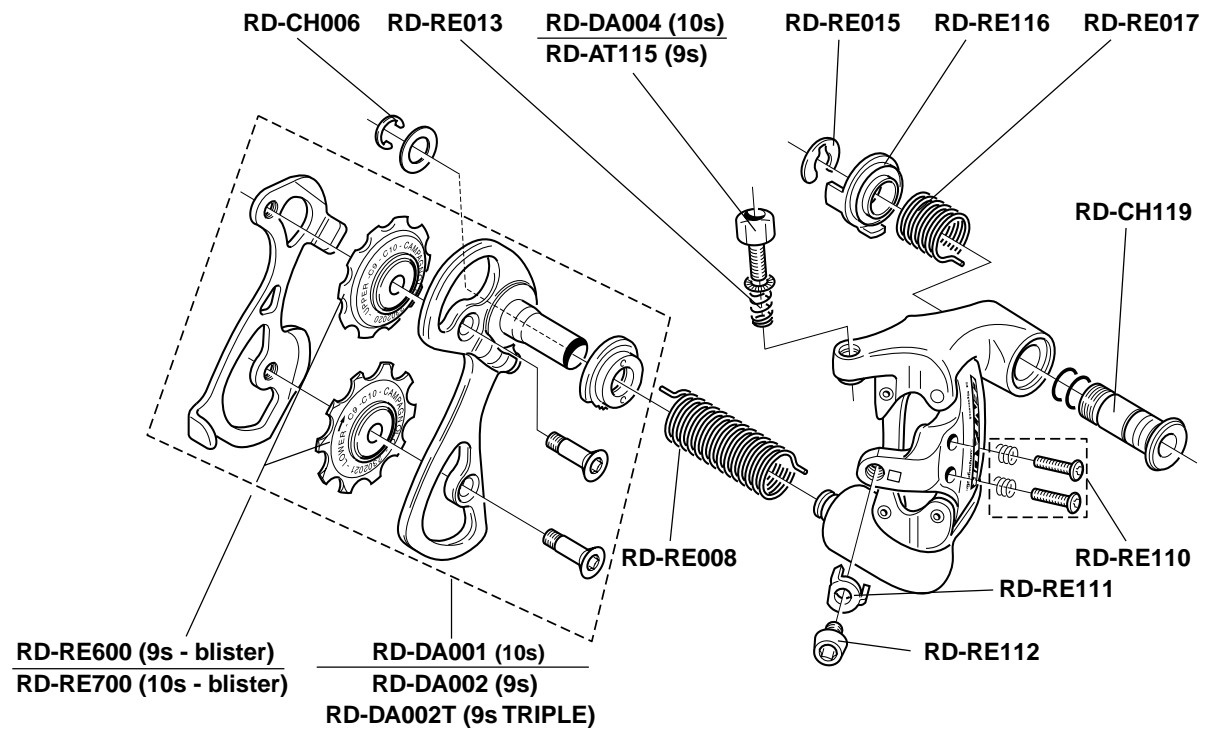
CHORUS 10s

RD00-CH210

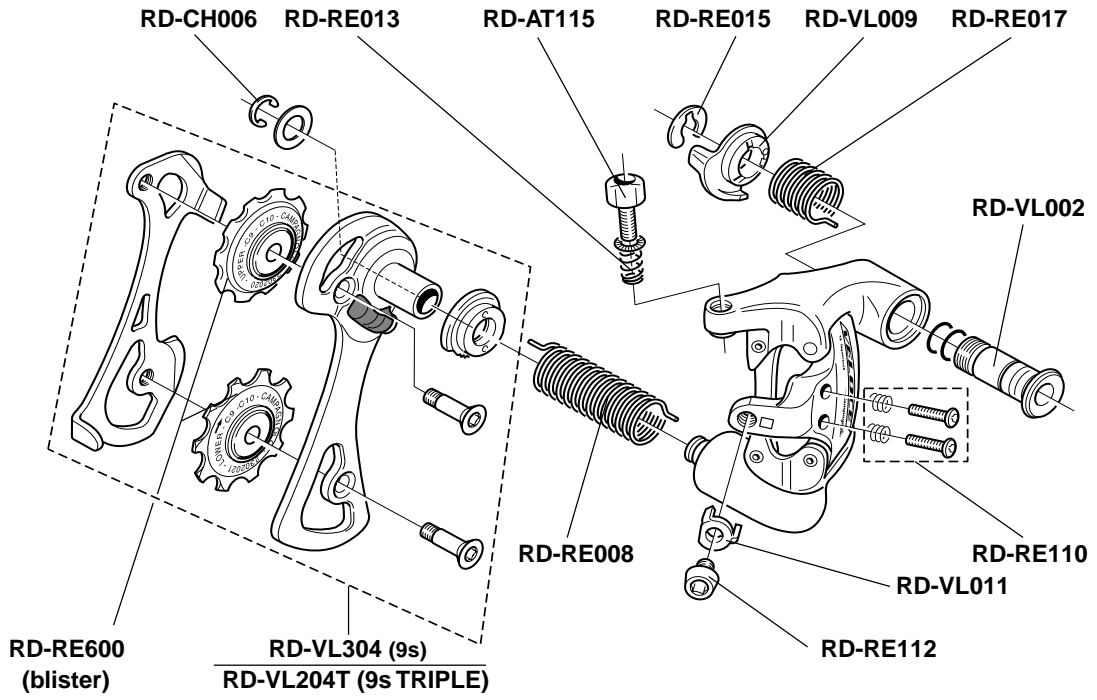
RD00-CH210L



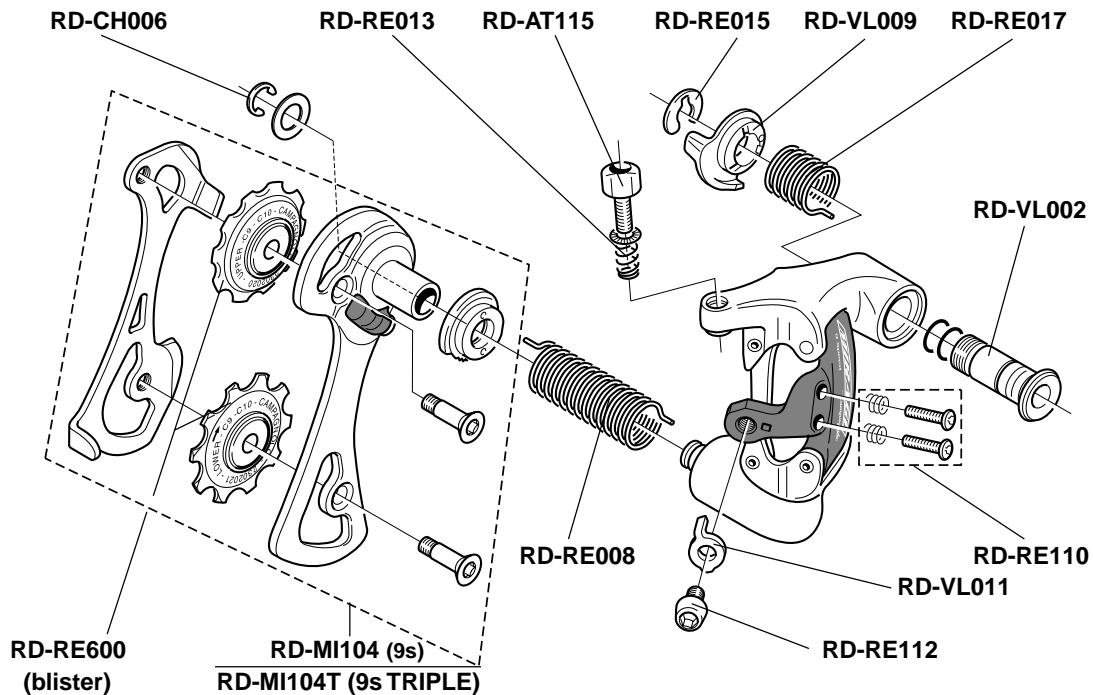
CENTAUR 10s
RD02-CE210
CENTAUR 9s
RD02-CE209
CENTAUR TRIPLE 9s
RD02-CE309



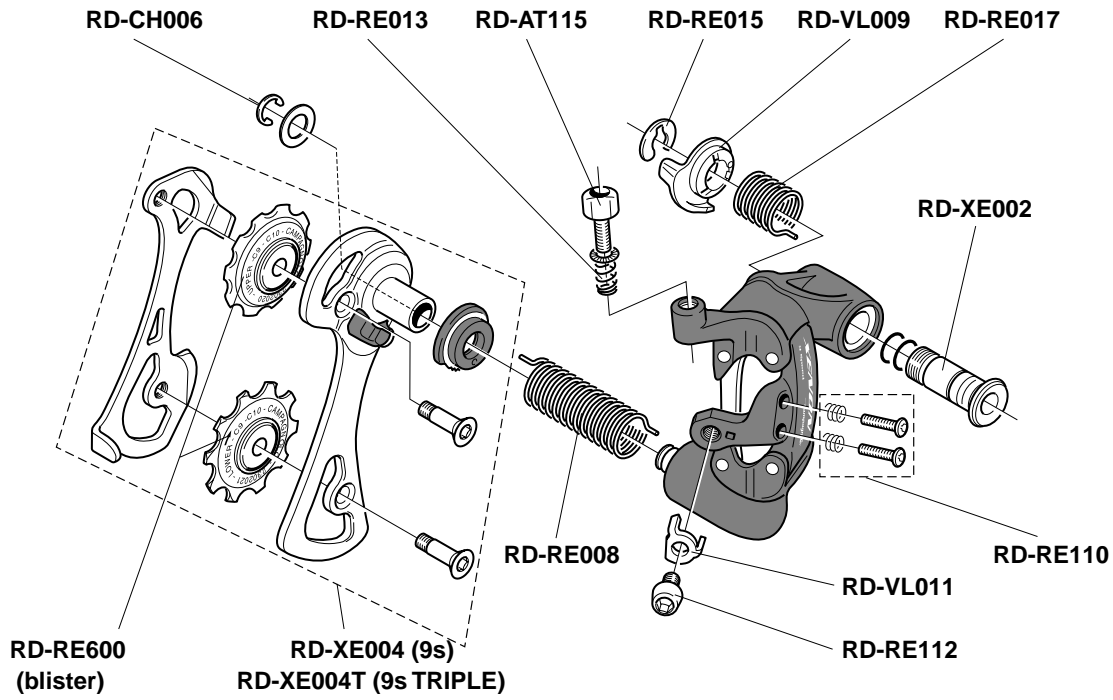
VELOCE 9s
RD02-VL209
VELOCE TRIPLE 9s
RD02-VL309



MIRAGE 9s
RD02-MI209
MIRAGE TRIPLE 9s
RD02-MI309



XENON 9s
RD02-VL209
XENON TRIPLE 9s
RD02-VL309



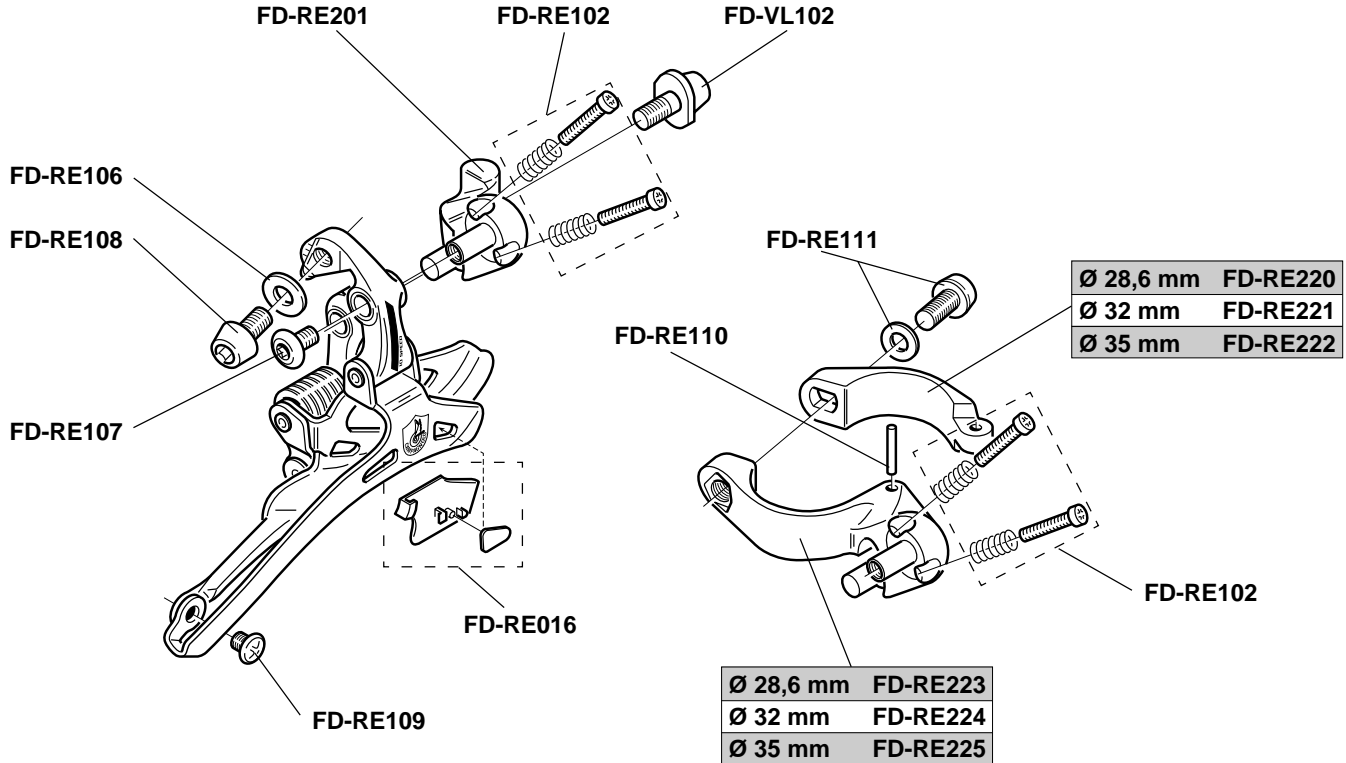
RECORD 10s

FD00-RE2...

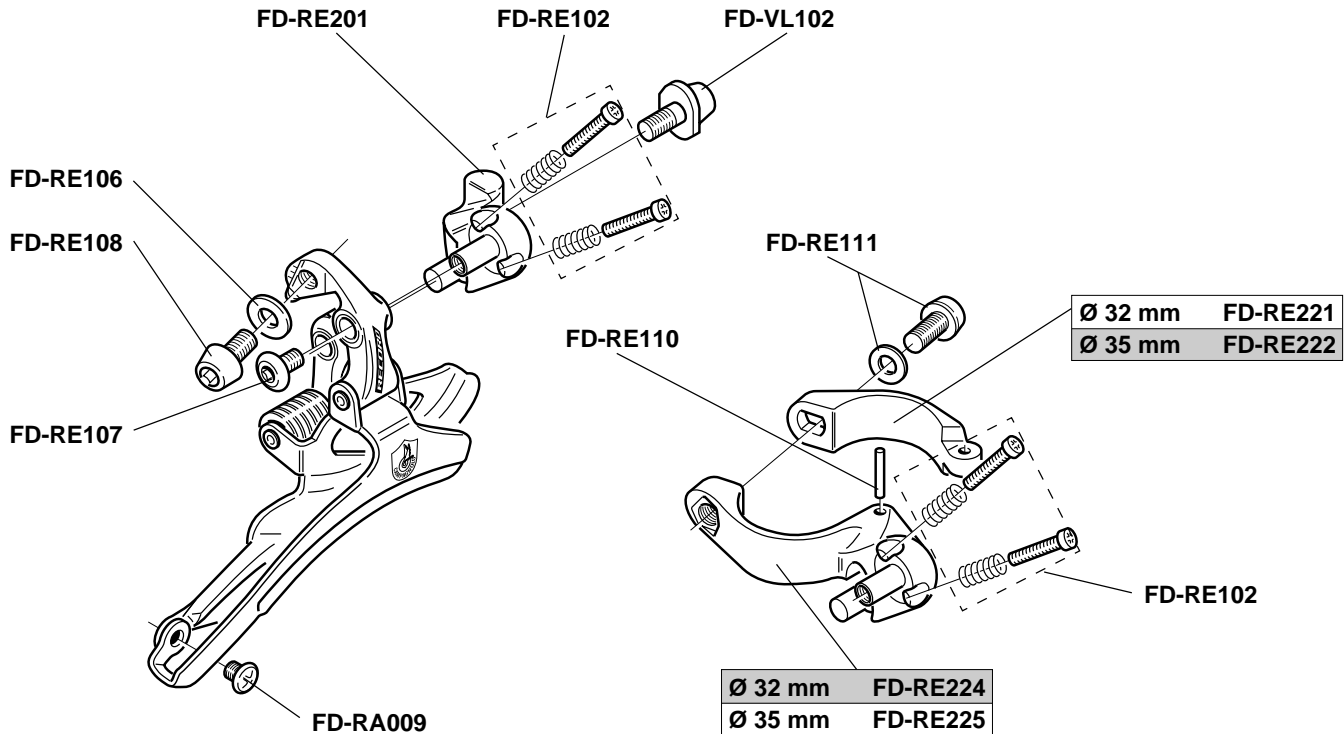
CHORUS 10s

FD00-CH2...

9s compatible

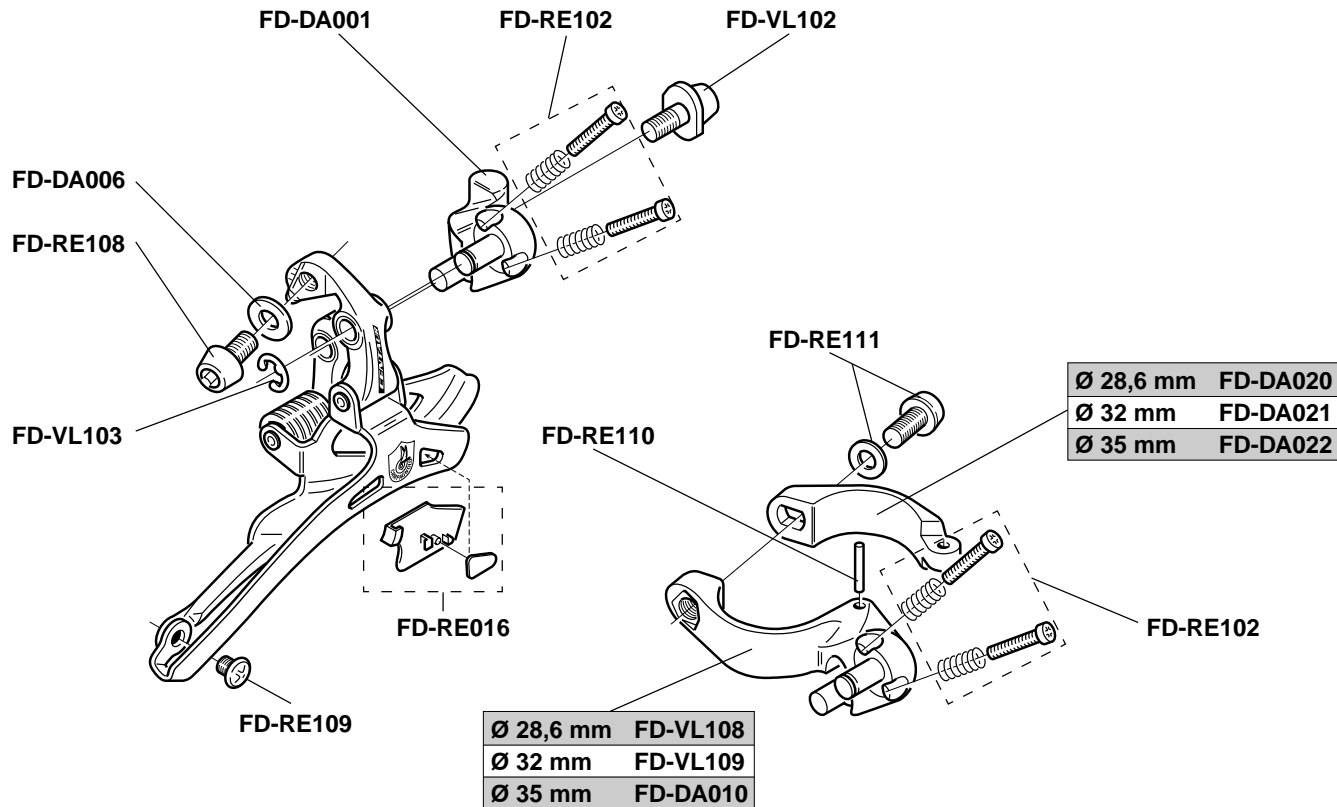


RECORD
TRIPLE 10s
FD02-RE3...



CENTAUR 10s
FD02-CE2...

9s compatible

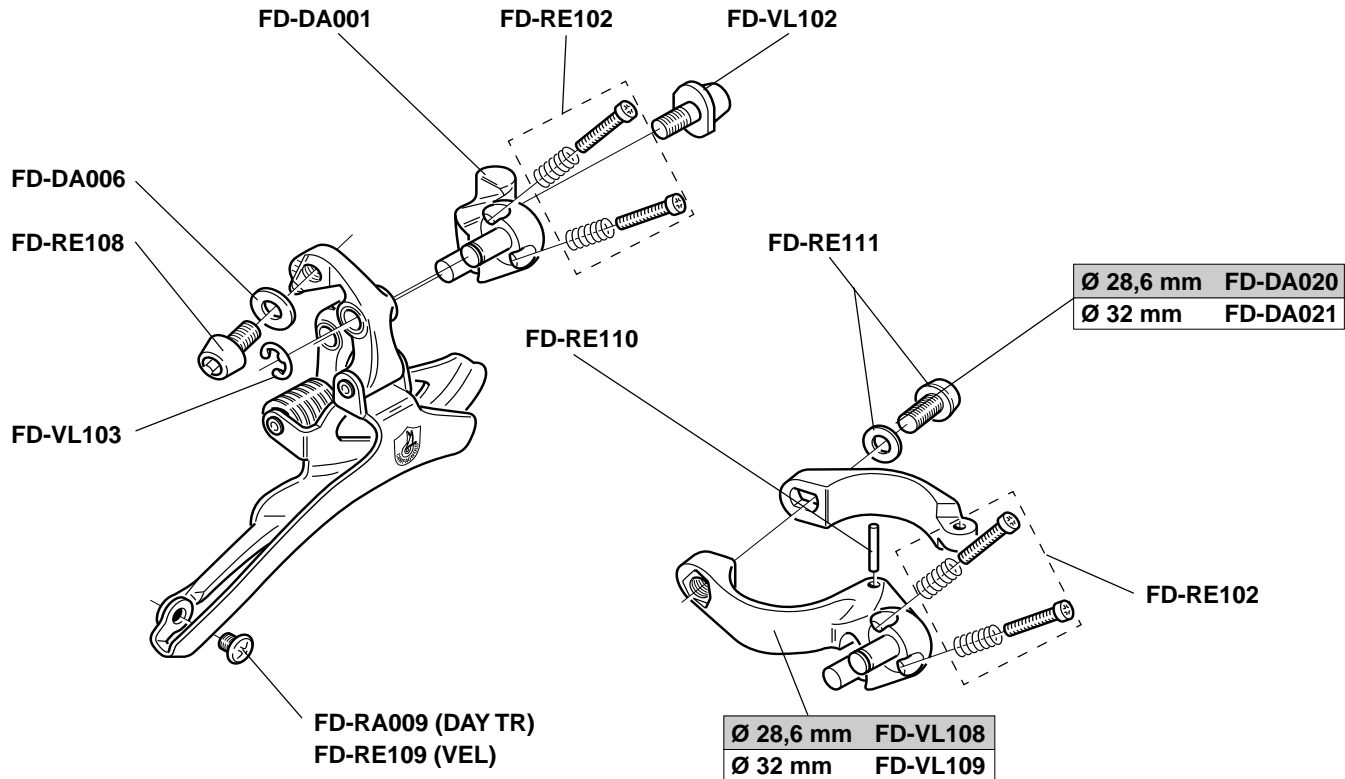


CENTAUR TRIPLE 9s

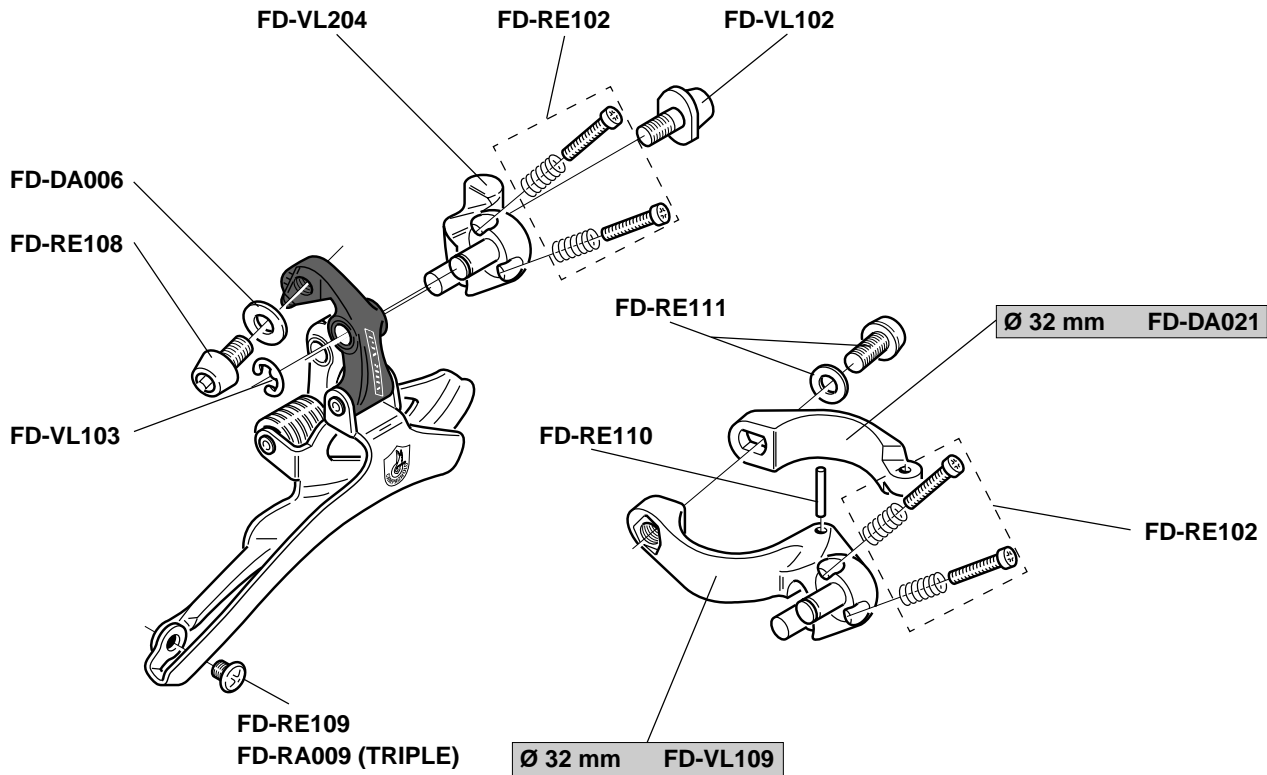
FD02-CE3...

VELOCE 9s

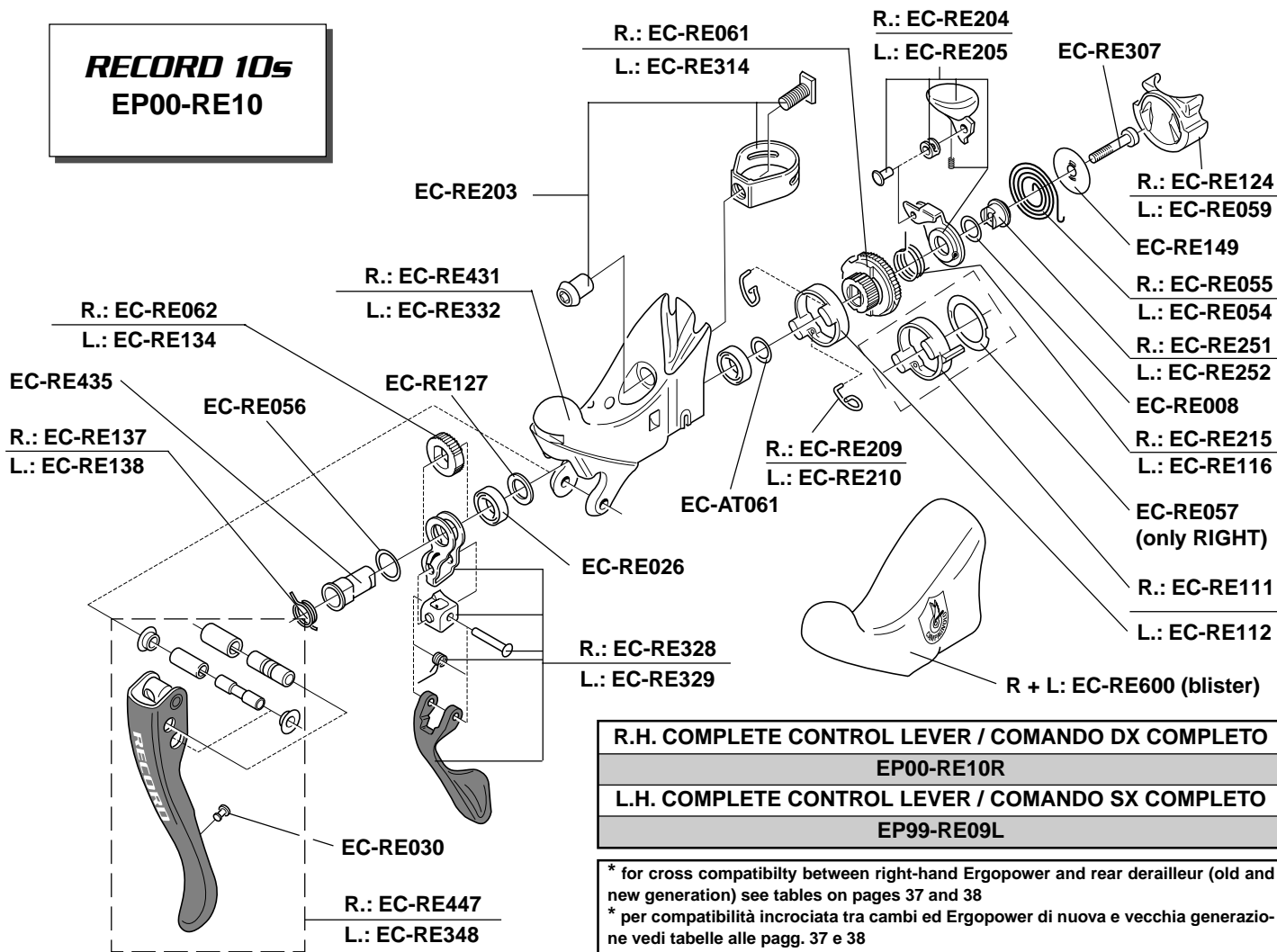
FD01-VL2...



MIRAGE 9s
FD01-MI2...
MIRAGE TRIPLE 9s
FD01-MI3...



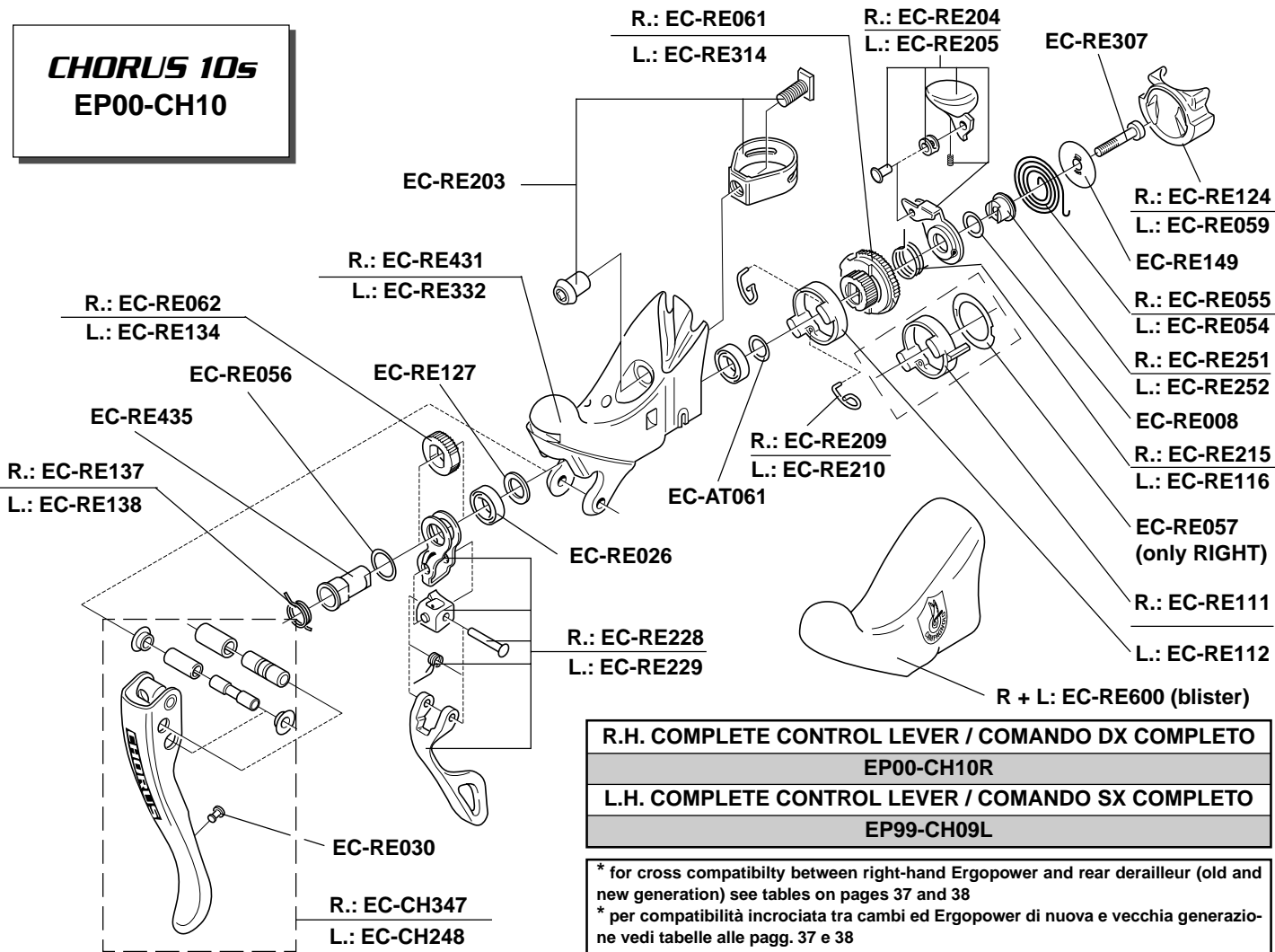
RECORD 10s
EP00-RE10



R.H. COMPLETE CONTROL LEVER / COMANDO DX COMPLETO
EP00-RE10R
L.H. COMPLETE CONTROL LEVER / COMANDO SX COMPLETO
EP99-RE09L

* for cross compatibility between right-hand Ergopower and rear derailleur (old and new generation) see tables on pages 37 and 38
 * per compatibilit  incrociata tra cambi ed Ergopower di nuova e vecchia generazione vedi tabelle alle pagg. 37 e 38

CHORUS 10s
EP00-CH10



R.H. COMPLETE CONTROL LEVER / COMANDO DX COMPLETO
EP00-CH10R
L.H. COMPLETE CONTROL LEVER / COMANDO SX COMPLETO
EP99-CH09L

* for cross compatibility between right-hand Ergopower and rear derailleurs (old and new generation) see tables on pages 37 and 38
* per compatibilità incrociata tra cambi ed Ergopower di nuova e vecchia generazione vedi tabelle alle pagg. 37 e 38

CENTAUR 9s *
EP02-CE09
CENTAUR 10s
EP02-CE10

R.(10s): EC-RE062
 R.(9s): EC-RE133

L.: EC-RE134

EC-VL036

R.: EC-RE137
 L.: EC-RE138

EC-RE056

R.(10s): EC-DA231
 R.(9s): EC-DA131

L.: EC-DA032

EC-RE127

R.: EC-RE228

L.: EC-RE229

EC-RE030

R.: EC-CE047

L.: EC-CE048

R.(10s): EC-RE061

R.(9s): EC-RE063

L.: EC-RE314

EC-RE203

R.: EC-RE204

L.: EC-RE205

R.: EC-RE209

L.: EC-RE210

EC-RE307

R.: EC-RE124

L.: EC-RE059

EC-RE149

R.: EC-RE055

L.: EC-RE054

R.: EC-RE251

L.: EC-RE252

EC-RE008

R.: EC-RE215

L.: EC-RE116

EC-RE057
 (only RIGHT)

R.: EC-RE111

L.: EC-RE112

R + L: EC-RE600 (blister)

R.H. COMPLETE CONTROL LEVER / COMANDO DX COMPLETO

9s: EP02-CE09R - 10s: EP02-CE10R

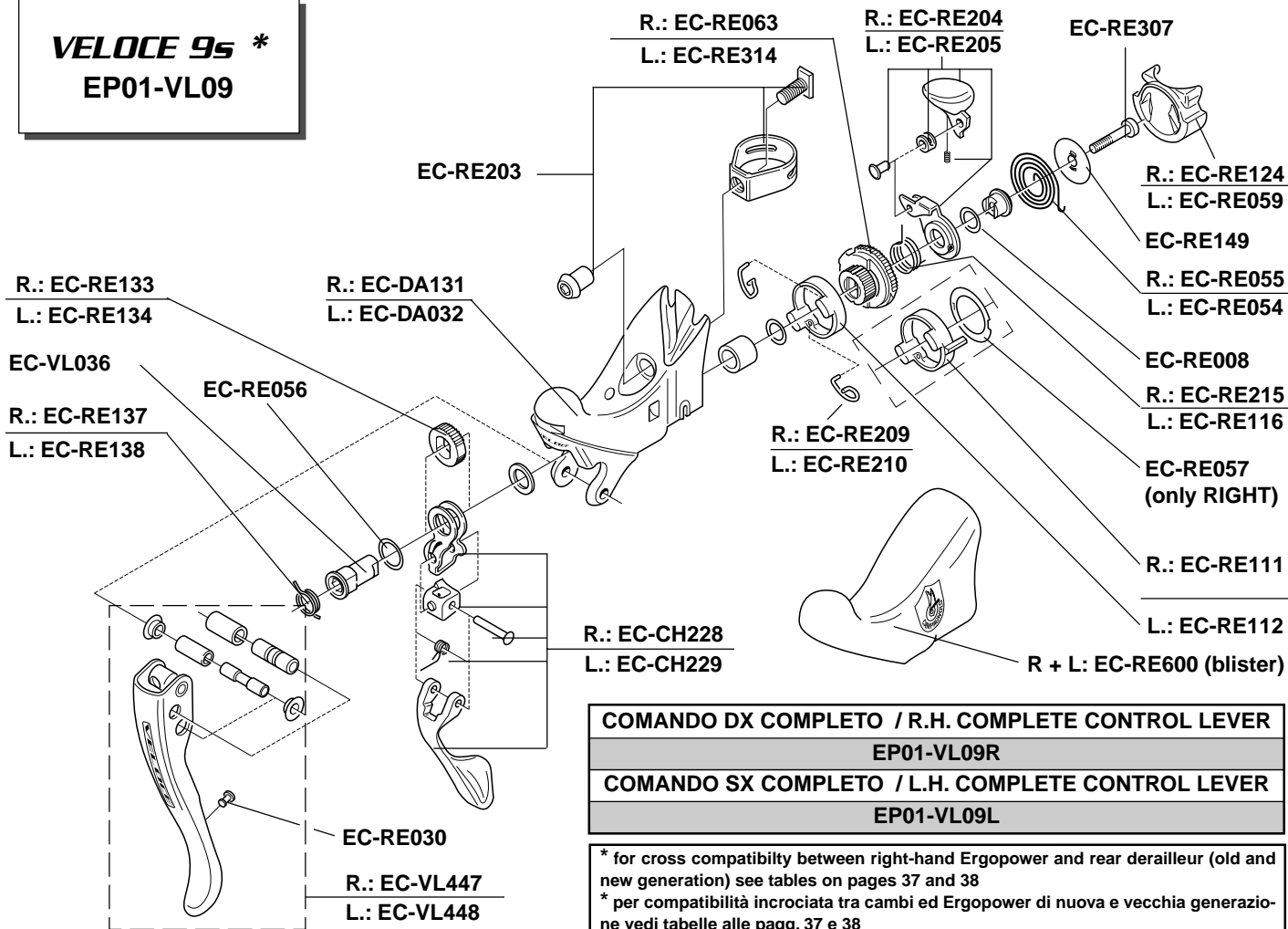
L.H. COMPLETE CONTROL LEVER / COMANDO SX COMPLETO

EP02-CE09L

* for cross compatibility between right-hand Ergopower and rear derailleur (old and new generation) see tables on pages 37 and 38

* per compatibilità incrociata tra cambi ed Ergopower di nuova e vecchia generazione vedi tabelle alle pagg. 37 e 38

VELOCE 9s *
EP01-VL09



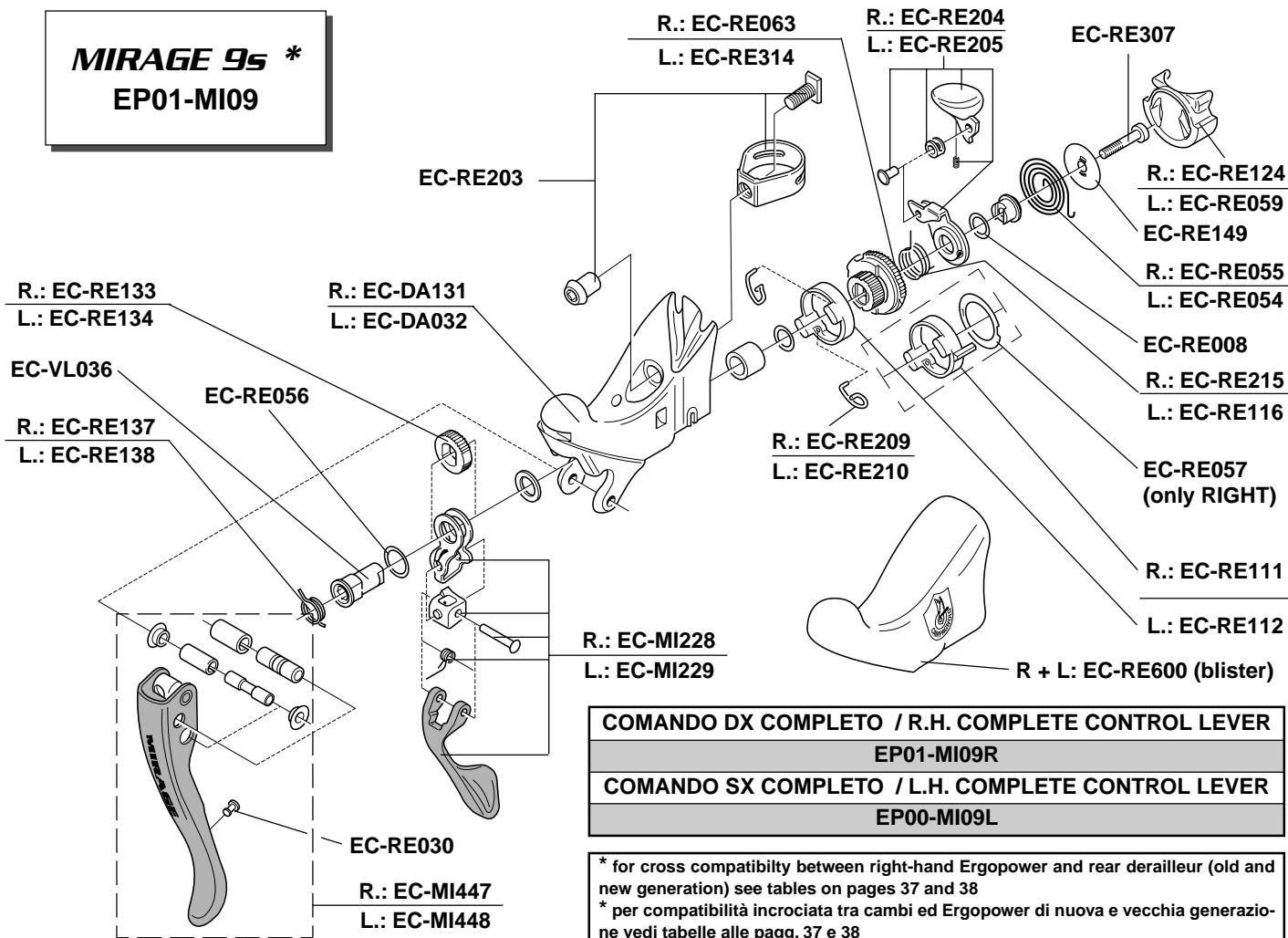
COMANDO DX COMPLETO / R.H. COMPLETE CONTROL LEVER
EP01-VL09R

COMANDO SX COMPLETO / L.H. COMPLETE CONTROL LEVER
EP01-VL09L

* for cross compatibility between right-hand Ergopower and rear derailleur (old and new generation) see tables on pages 37 and 38

* per compatibilità incrociata tra cambi ed Ergopower di nuova e vecchia generazione vedi tabelle alle pagg. 37 e 38

MIRAGE 9s *
EP01-MI09



XENON 9s *
EP02-XE09

R.: EC-XE033
L.: EC-XE034

R.: EC-XE031
L.: EC-XE032

EC-XE036

R.: EC-XE037
L.: EC-XE038

EC-RE203

EC-XE049

EC-XE007

R.: EC-XE024
L.: EC-XE059

EC-XE054

R.: EC-XE060
L.: EC-XE061

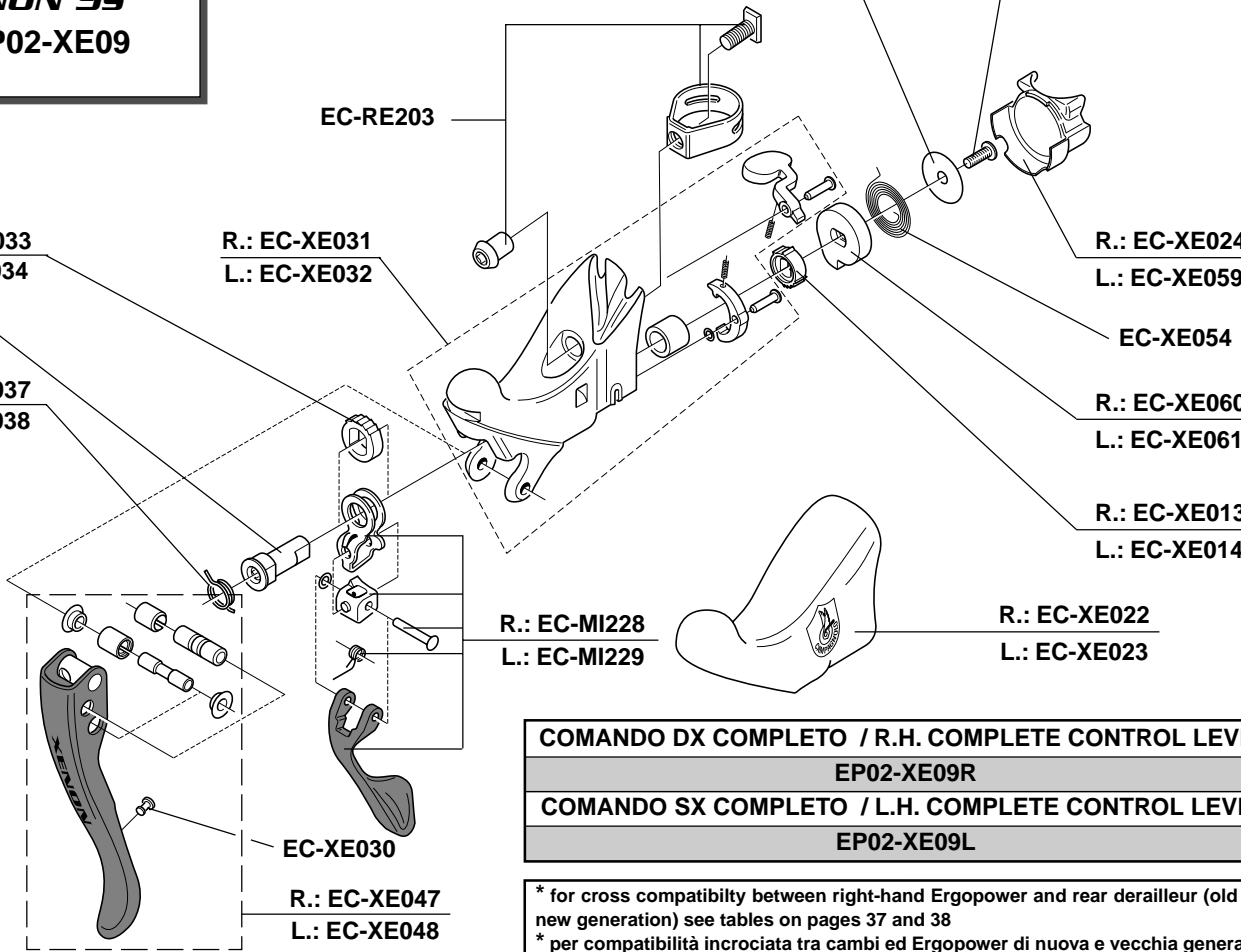
R.: EC-XE013
L.: EC-XE014

R.: EC-MI228
L.: EC-MI229

R.: EC-XE022
L.: EC-XE023

EC-XE030

R.: EC-XE047
L.: EC-XE048



COMANDO DX COMPLETO / R.H. COMPLETE CONTROL LEVER

EP02-XE09R

COMANDO SX COMPLETO / L.H. COMPLETE CONTROL LEVER

EP02-XE09L


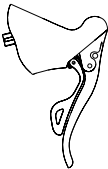
* for cross compatibility between right-hand Ergopower and rear derailleur (old and new generation) see tables on pages 37 and 38

* per compatibilità incrociata tra cambi ed Ergopower di nuova e vecchia generazione vedi tabelle alle pagg. 37 e 38

CROSS COMPATIBILITY BETWEEN RIGHT-HAND ERGOPOWERS AND REAR DERAILLEURS (old and new generation)

COMPATIBILITÀ INCROCIATA TRA ERGOPOWER DX E CAMBI (nuova e vecchia generazione)

ERGOPOWER

SPEED VELOCITÀ	YEAR ANNO	FEATURES CARATTERISTICHE		
8s	< 1998	"old style" (pointed) body / corpo a punta		OLD STYLE
9s	1997	"old style" (pointed) body / corpo a punta		
9s	1998	"new style" (rounded) body / corpo arrotondato		
9s	1999-2000	"new style" (rounded) body, ErgoBrain computer ready / corpo arrotondato, predisposizione ErgoBrain (pulsantino sul coprisupporto)		NEW STYLE
9s	2001/2002	"9 speed" mark, "new style" (rounded) body, ErgoBrain computer ready / logo "9 speed" sul corpo, corpo arrotondato, predisposizione ErgoBrain (pulsantino sul coprisupporto)		
10s	2000/2002	"10 speed" mark, "new style" (rounded) body, ErgoBrain computer ready / logo "10 speed" sul corpo, corpo arrotondato, predisposizione ErgoBrain (pulsantino sul coprisupporto)		

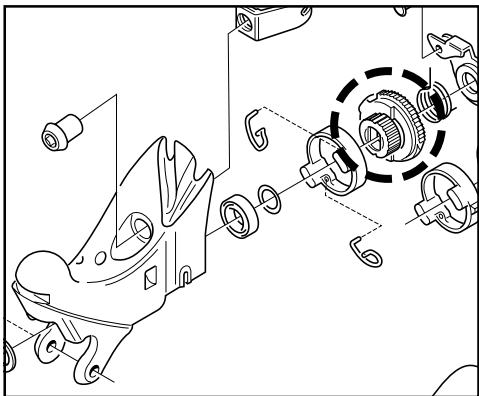
REAR DERAILLEUR / CAMBIO

SPEED VELOCITÀ	YEAR ANNO	FEATURES CARATTERISTICHE
8s	< 1998	adjusting system on the upper body / sistema di registrazione sul corpo superiore
9s	1997-2000	adjusting system on the upper body / sistema di registrazione sul corpo superiore
9s	2001-2002	adjusting system on the lower body / sistema di registrazione sul corpo inferiore



CROSS COMPATIBILITY BETWEEN RIGHT-HAND ERGOPOWERS AND REAR DERAILLEURS (old and new generation)

COMPATIBILITÀ INCROCIATA TRA ERGOPOWER DX E CAMBI (nuova e vecchia generazione)



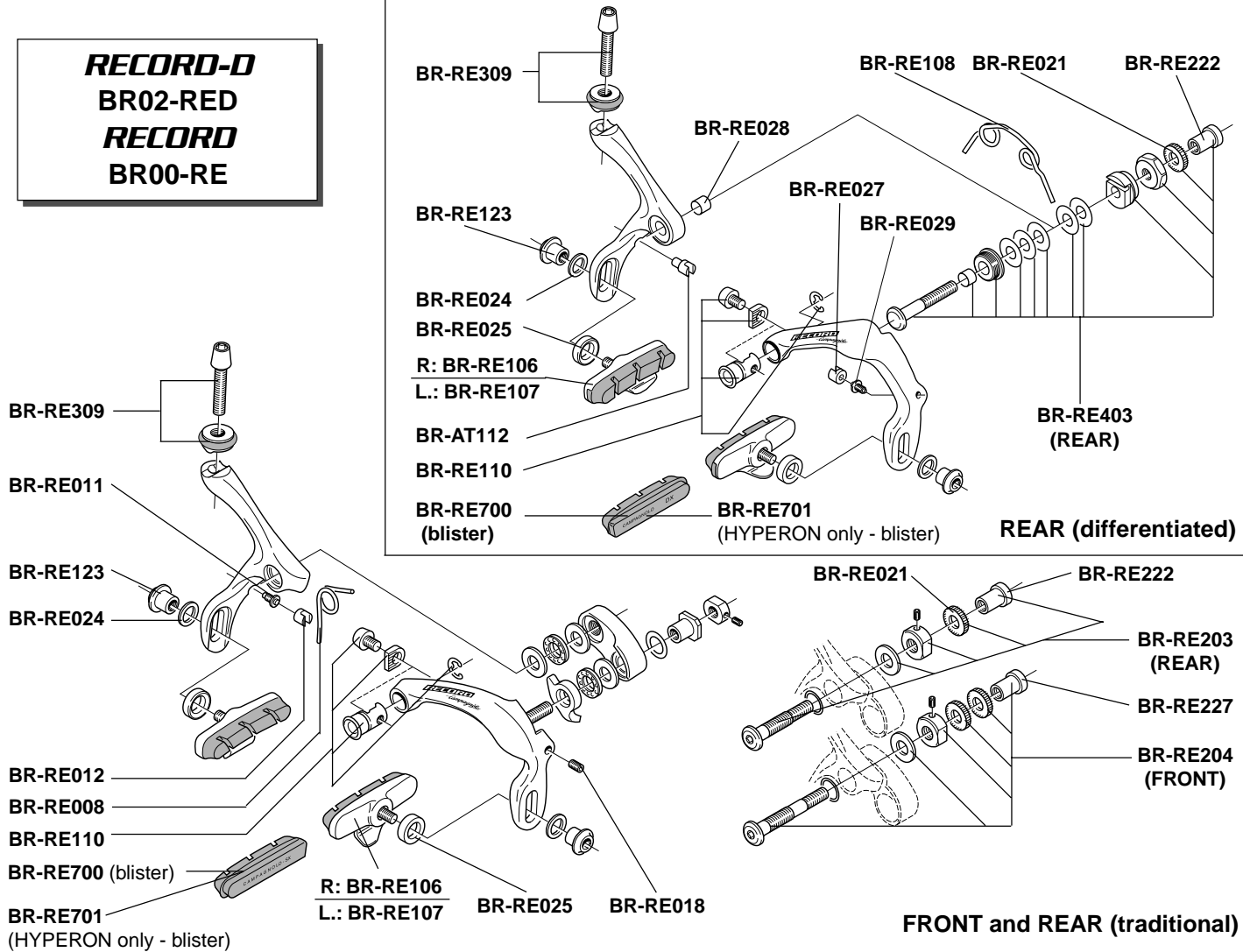
The codes in the table are referring to the indexing ratchet of the right-hand Ergopower (see the figure). To ensure the compatibility between right-hand Ergopower and rear derailleur, you have to eventually replace the indexing ratchet with the one indicated in the table (referring to the rear derailleur/Ergopower combination).

I codici in tabella si riferiscono alla bussola dentata (evidenziata in figura) del comando destro Ergopower: per assicurare la compatibilità tra cambio ed Ergopower destro, va eventualmente sostituita la bussola dentata esistente con quella indicata in tabella (a seconda della combinazione cambio/Ergopower).

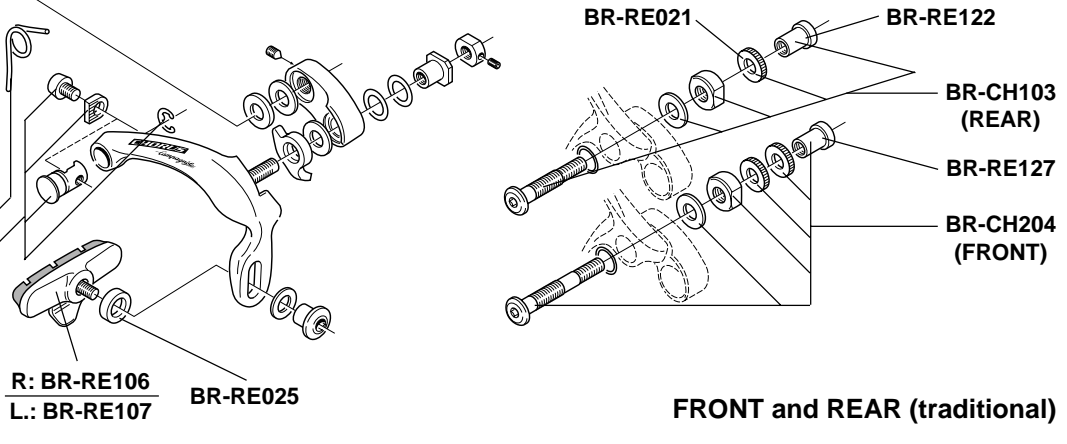
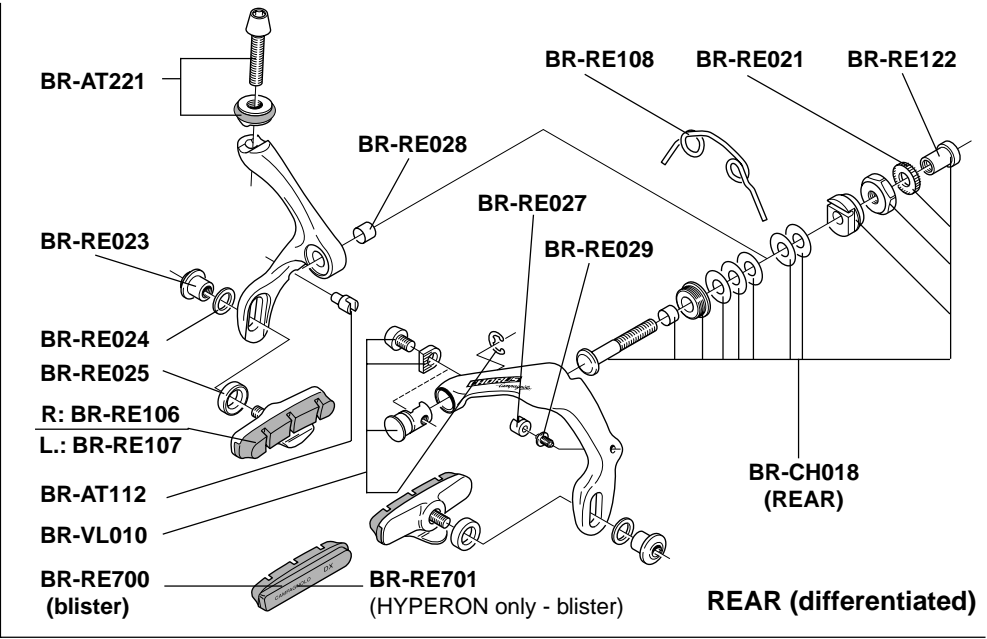
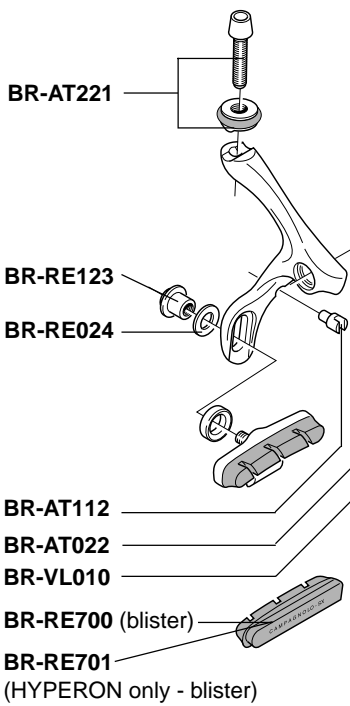
	9s 2001-2002 rear derail. / cambio 9s 2001-2002	9s 1997-2000 rear derail. / cambio 9s 1997-2000	8s rear derail. / cambio 8s
Ergopower 8s	OK * (with C9 chain / con catena C9)	OK * (with C9 chain / con catena C9)	OK
Ergopower 9s 1997	EC-RE064	OK	NO
Ergopower 9s 1998	EC-RE064	OK	NO
Ergopower 9s '99/2000	EC-RE063	OK	EC-RE060
Ergopower 9s 2001/2002	OK	EC-RE313	EC-RE060
Ergopower 10s 2000/2002	EC-RE063	EC-RE313	EC-RE060

* starting from 1998 range, with coil spring EC-RE055 / da gamma 1998, con molla di compensazione EC-RE055

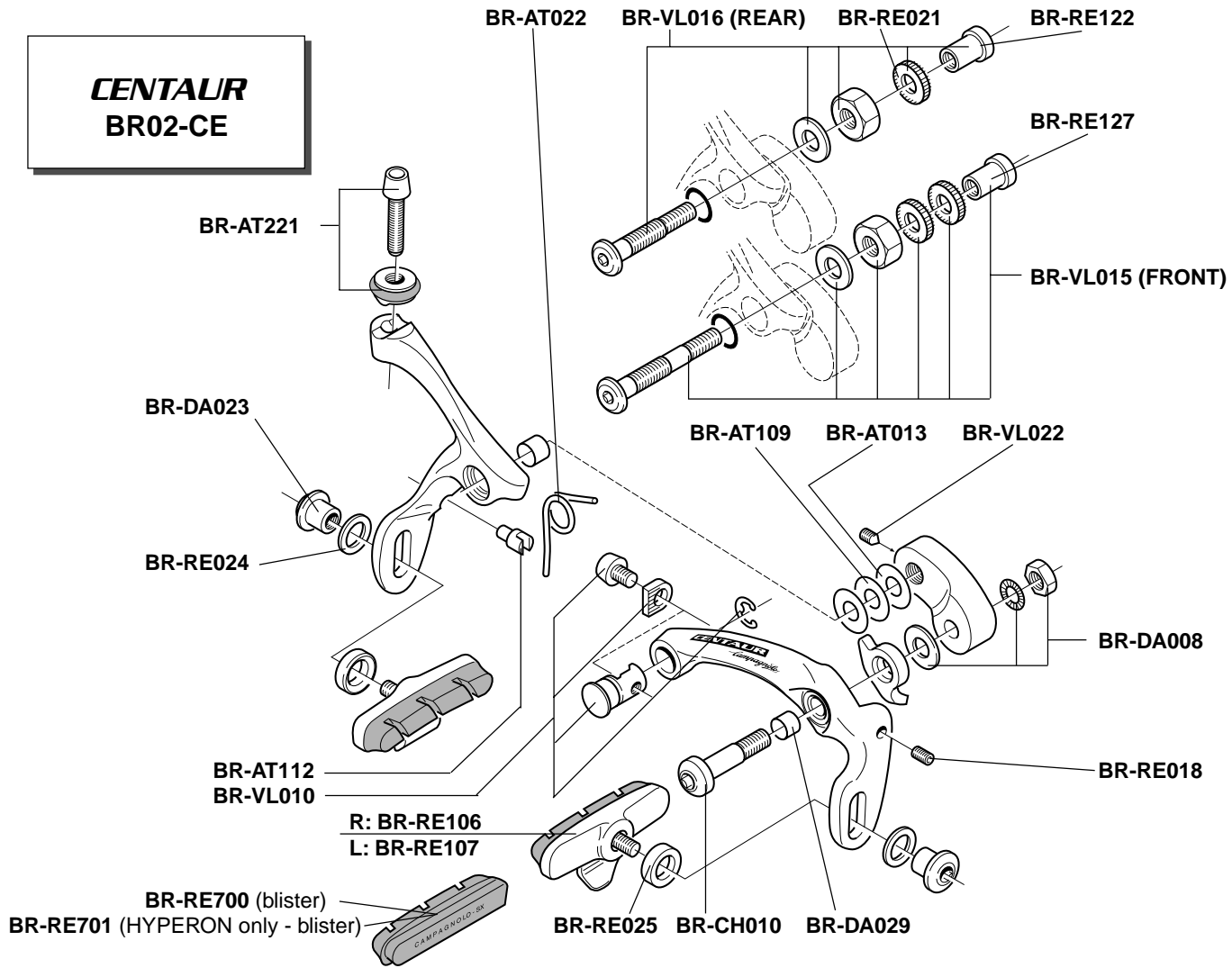
RECORD-D
BR02-RED
RECORD
BR00-RE



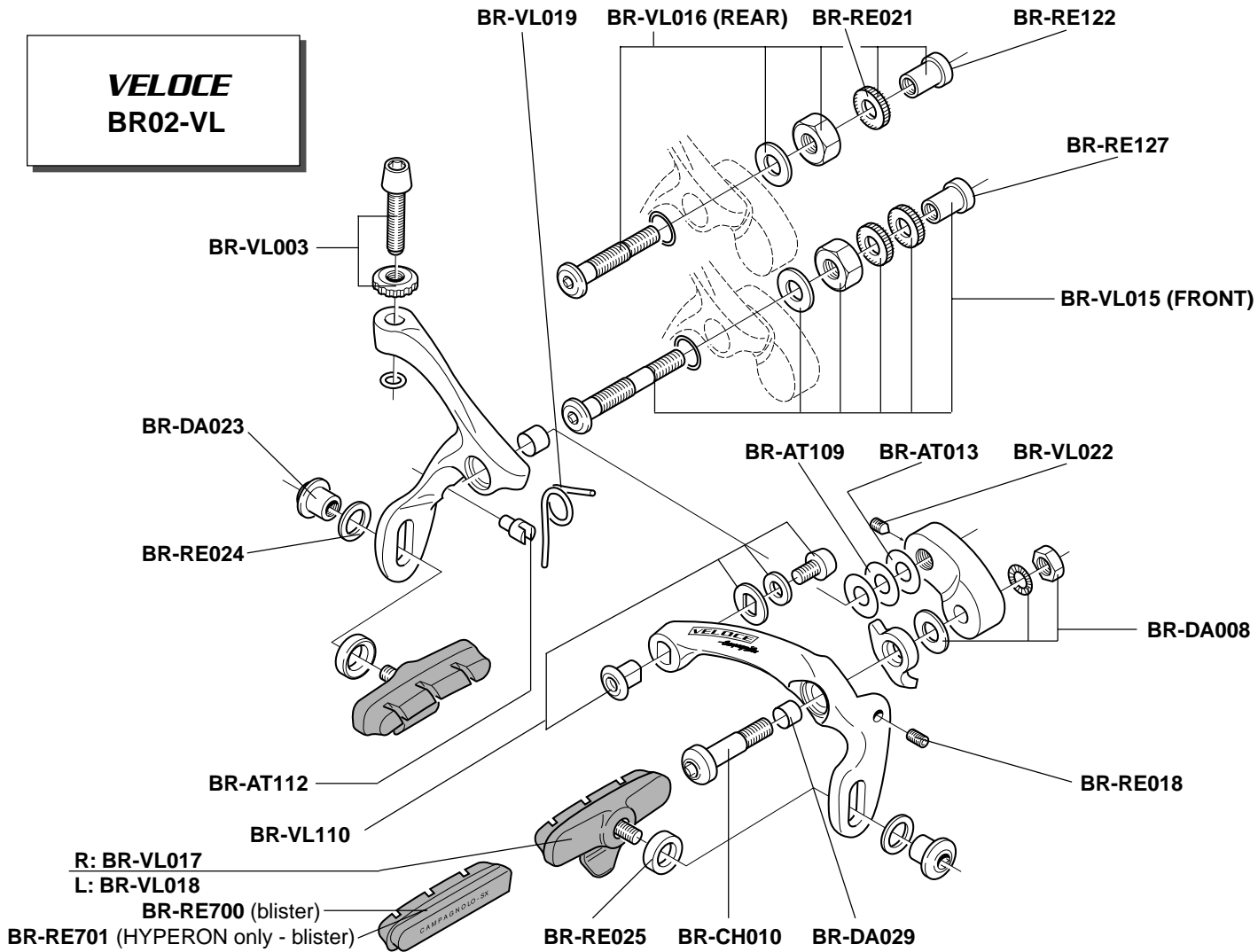
CHORUS-D
BR02-CHD
CHORUS
BR01-CH



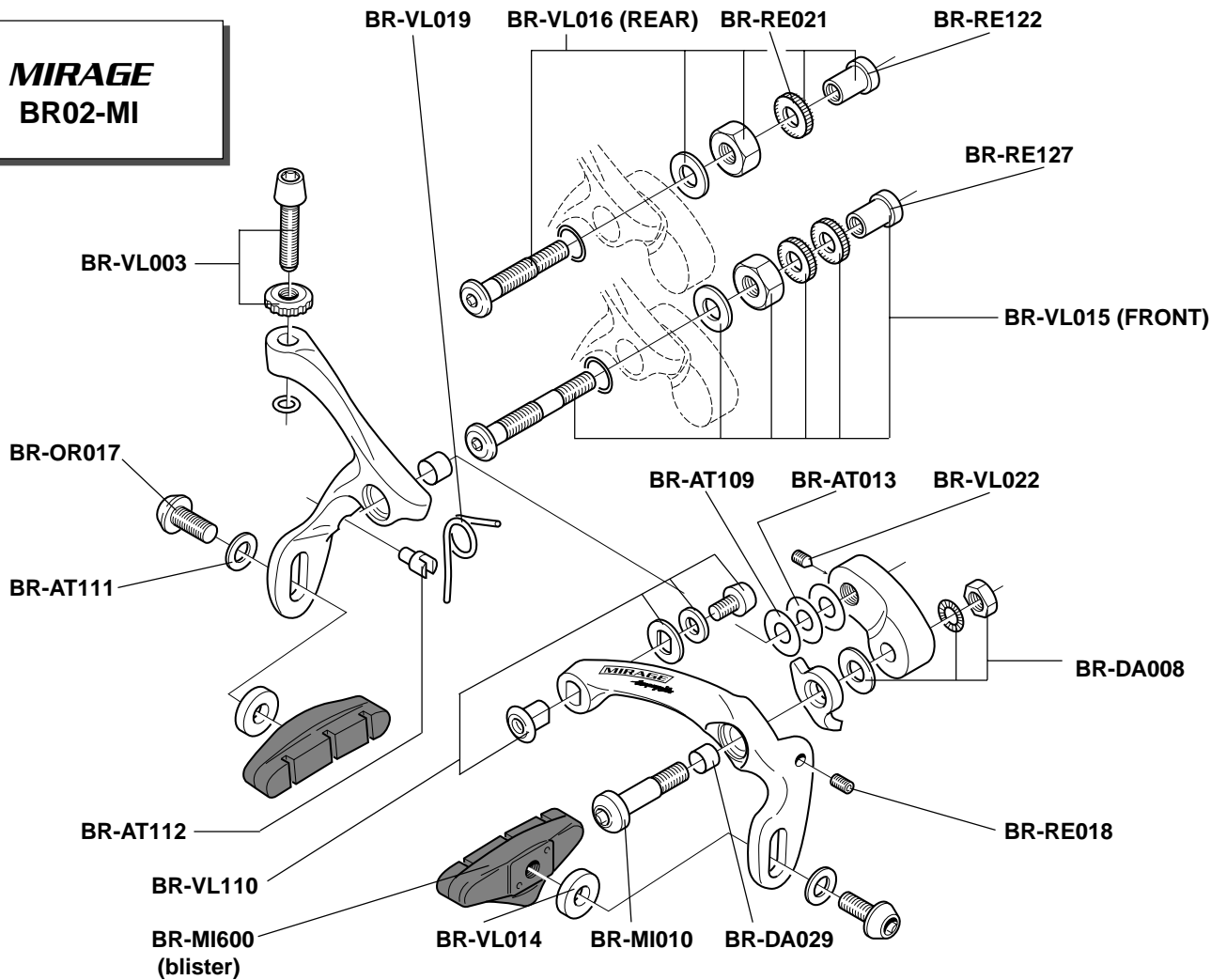
CENTAUR BR02-CE



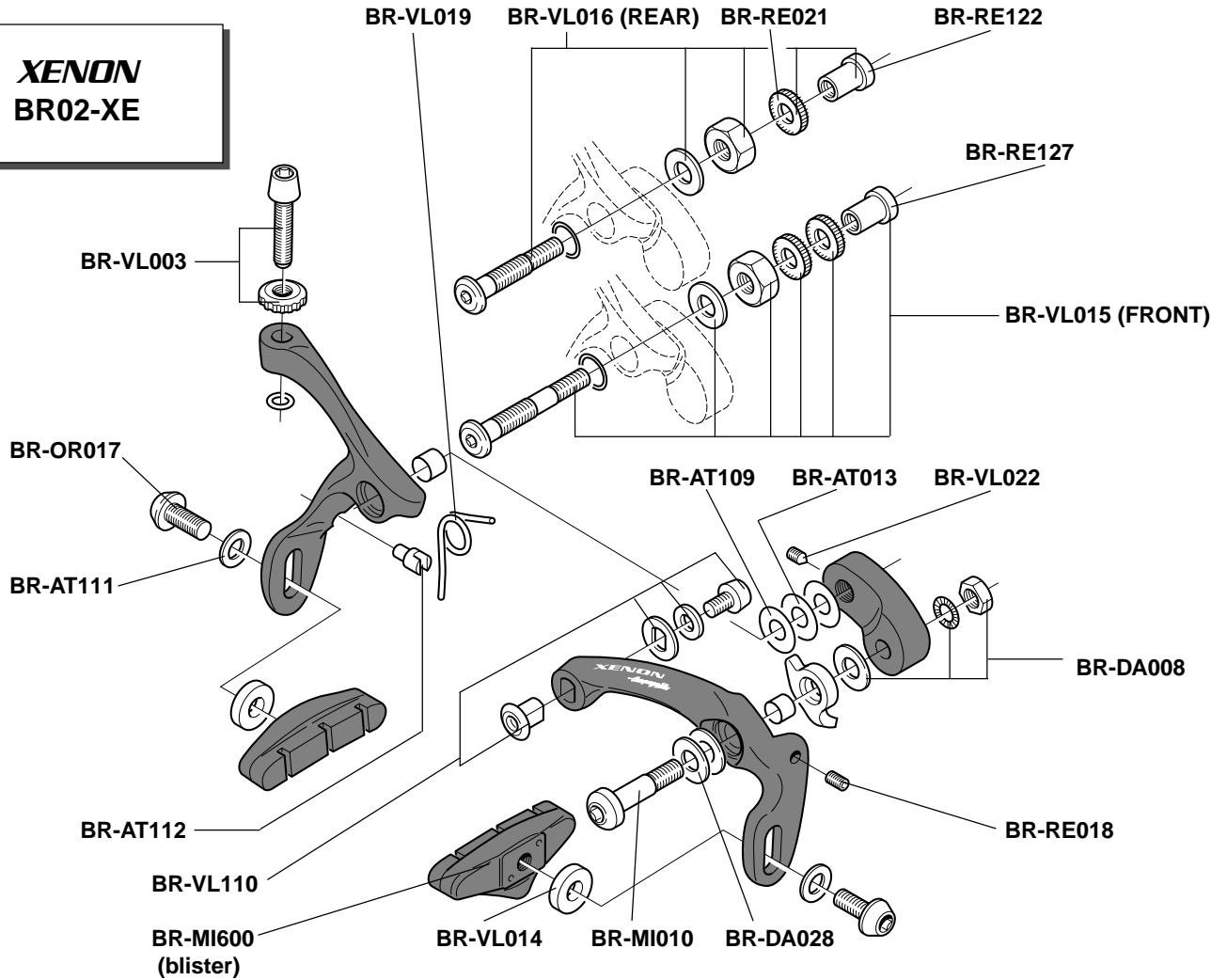
**VELOCE
BR02-VL**



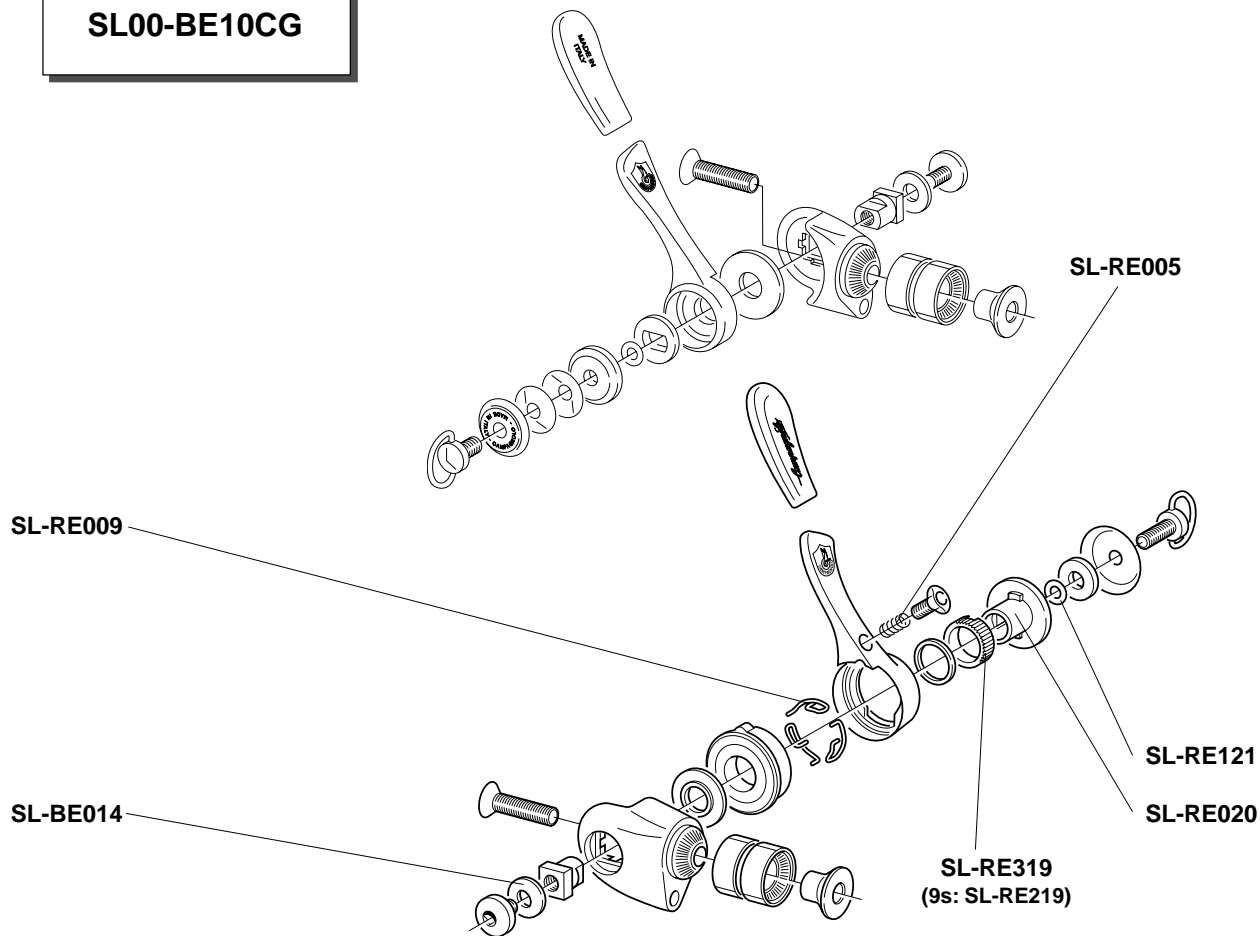
**MIRAGE
BR02-MI**



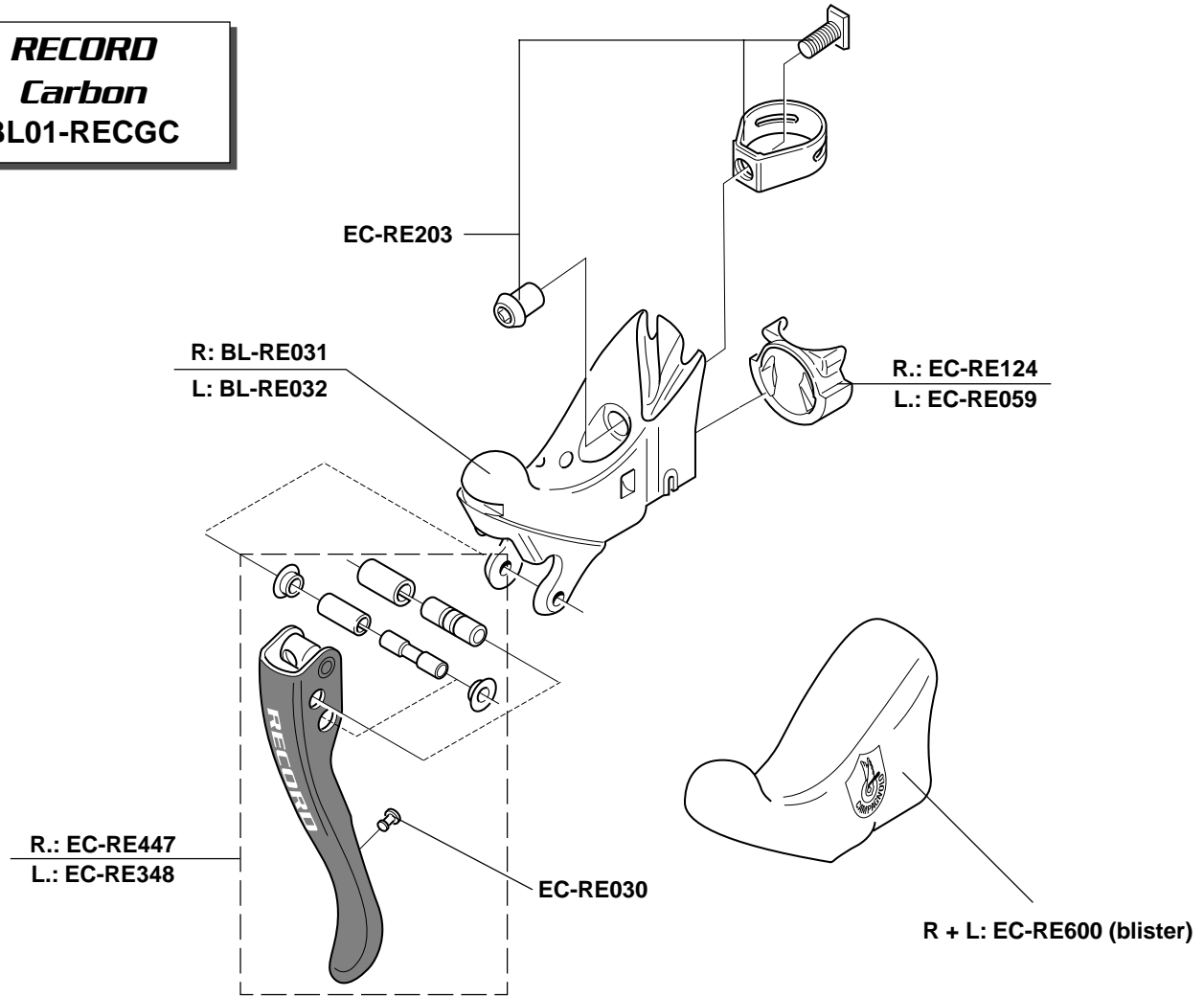
XENON BR02-XE



BAR-END 10s
SL00-BE10CG



RECORD
Carbon
BL01-RECGC



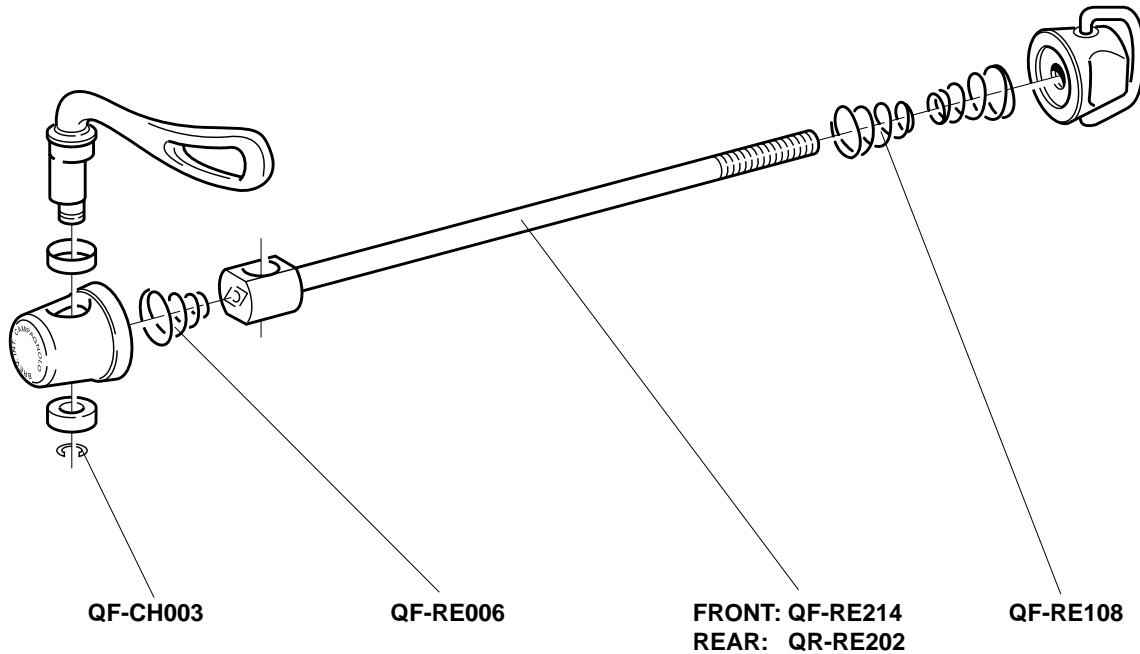
RECORD

BORA - EURUS - GHIBLI

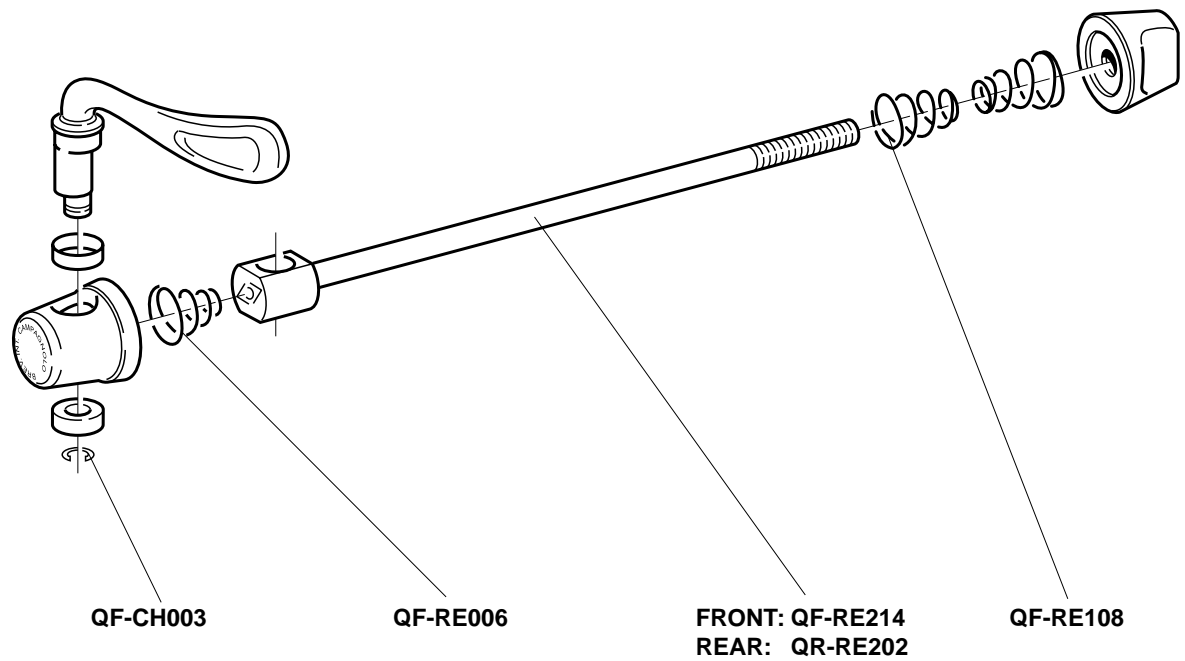
HYPERON - NEUTRON

front: QF-RE121

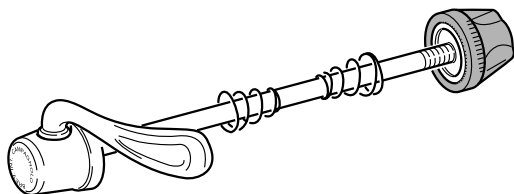
rear: QR-RE121



CHORUS
front: QF-CH111
rear: QR-CH111

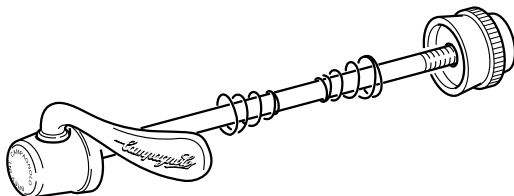


CENTAUR
PROTON - ZONDA



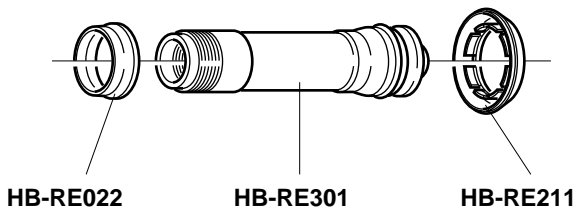
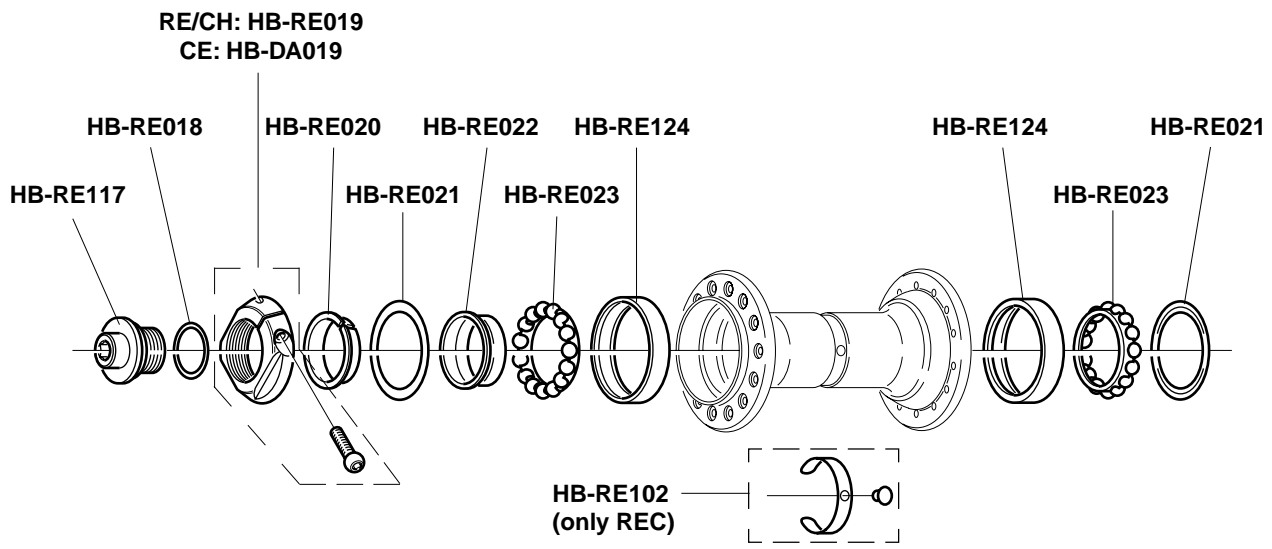
FRONT: QF-AT101
REAR: QR-AT101

VELOCE
SCIROCCO

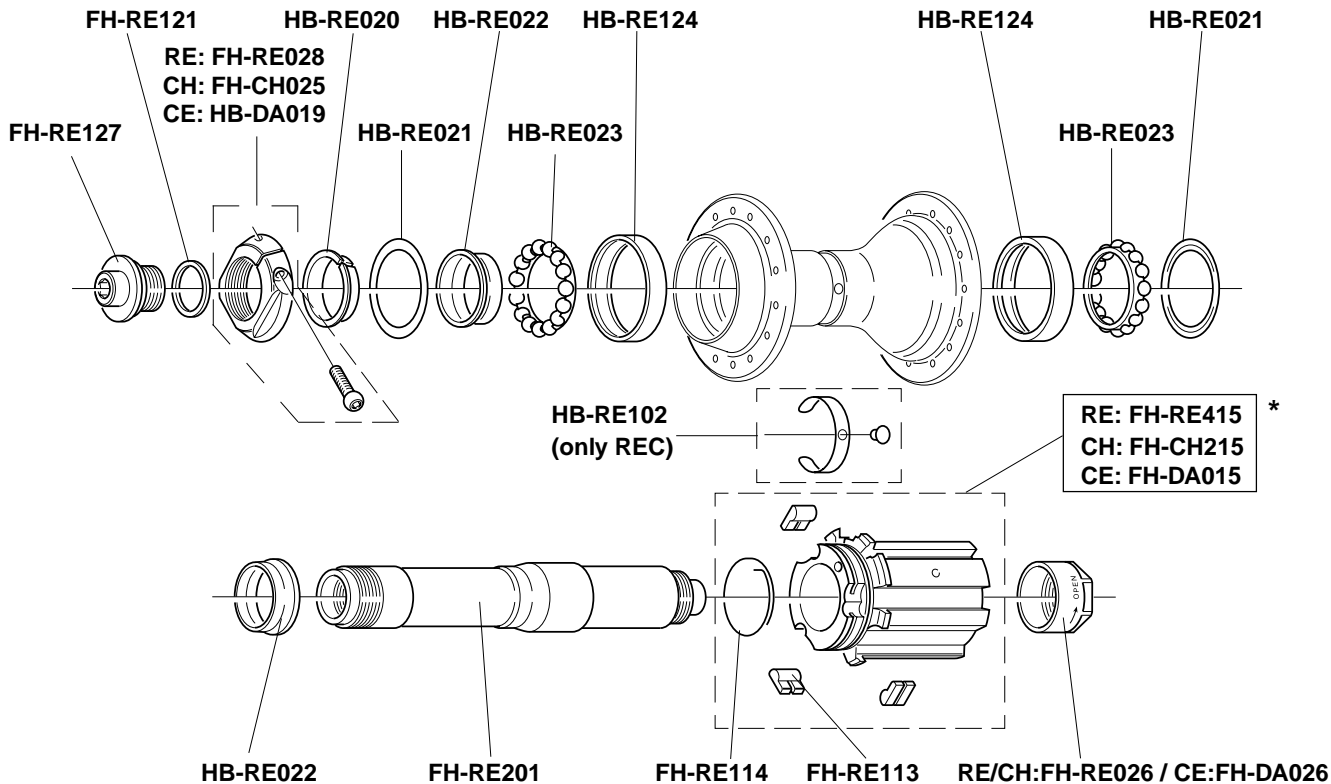


FRONT: QF-VL001
REAR: QR-VL001

RECORD HB02-RE..
CHORUS HB02-CH..
CENTAUR HB02-CE..

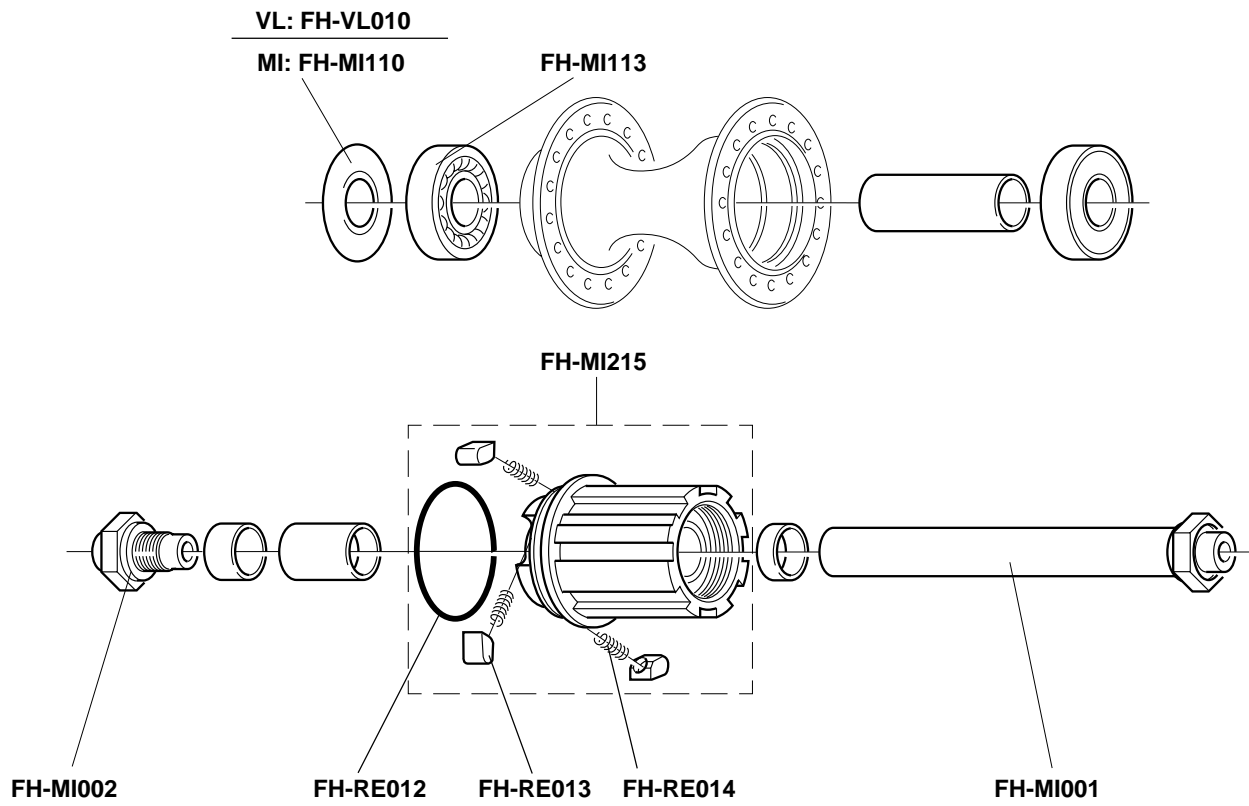


RECORD 9s/10s FH02-RE..
CHORUS 9s/10s FH02-CH..
CENTAUR 9s/10s FH02-CE..

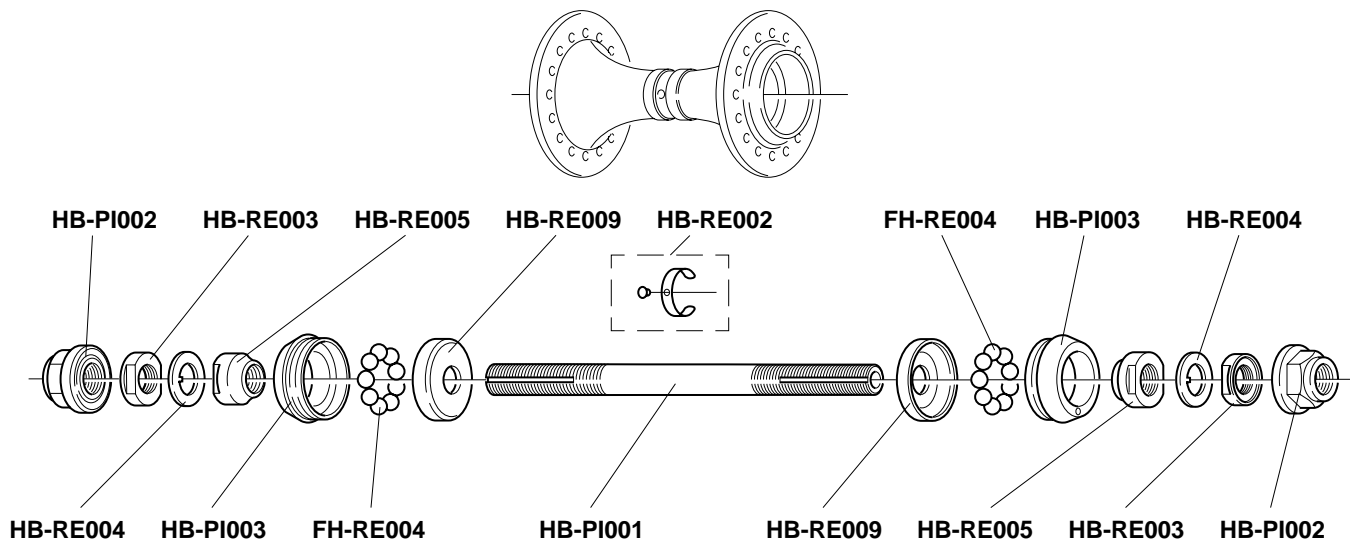


* HG 8/9 type FW body / corpetto RL tipo HG 8/9: WH-KX1 (RECORD type) WH-KX2 (CHORUS type)

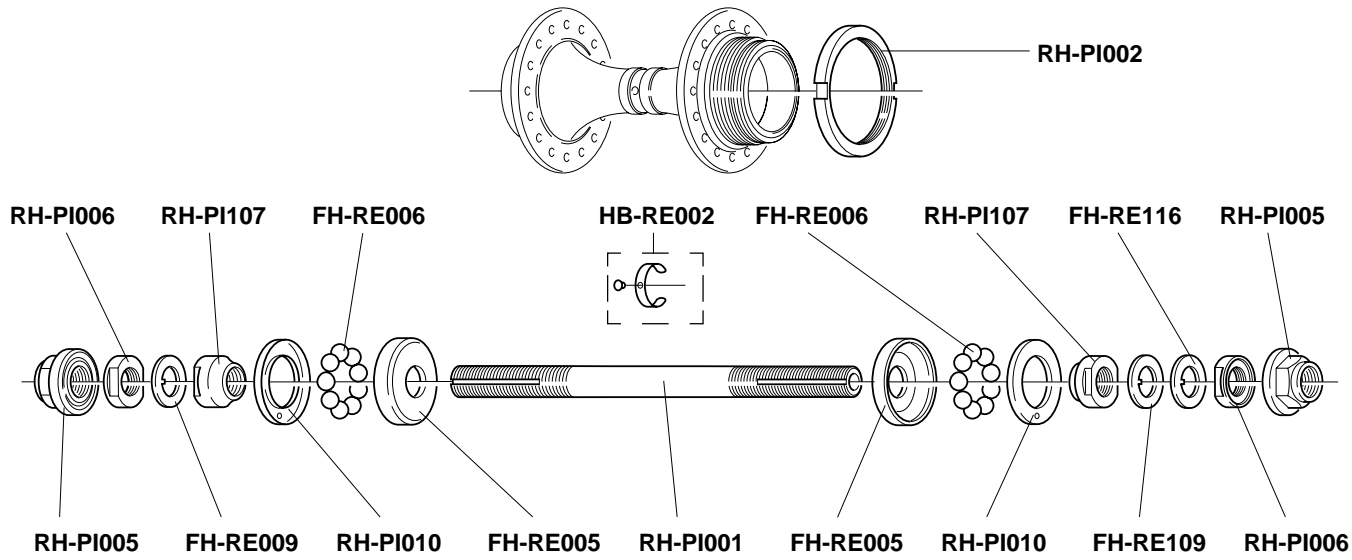
VELOCE 9s FH02-VL..
MIRAGE 9s FH02-MI..

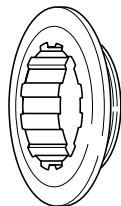


RECORD PISTA
HB02-REPI..



RECORD PISTA
FH02-REPI..



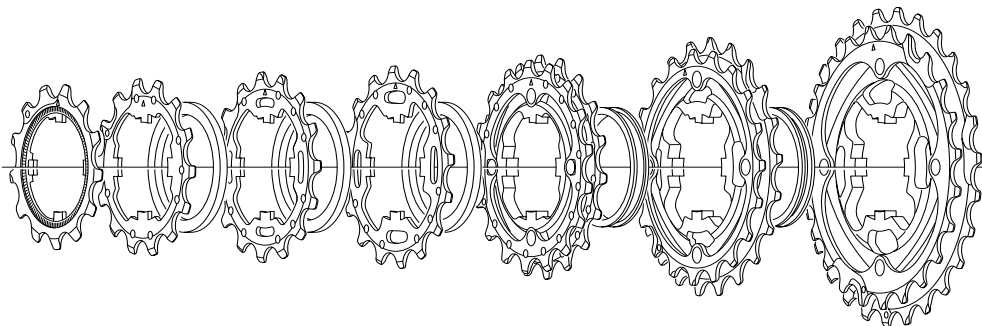


CODE / CODICE	TYPE / TIPO		RANGE / GAMMA	HUB COMPATIBILITY / COMPATIBILITA' MOZZI
CS-401	9s / 10s "oversize" thread / fil.: 27 x 1	steel/acciaio	2000 e succ. 2000 and following	all groups / tutti i gruppi all wheels / tutte le ruote
			1999	RECORD - CHORUS all wheels / tutte le ruote
CS-501	9s / 10s "oversize" thread / fil.: 27 x 1	steel/acciaio (for Z.11)	2000 e succ. 2000 and following	all groups / tutti i gruppi all wheels / tutte le ruote
			1999	RECORD - CHORUS all wheels / tutte le ruote
CS-101T	9s / 10s "oversize" thread / fil.: 27 x 1	titanium/titanio	2000 e succ. 2000 and following	all groups / tutti i gruppi all wheels / tutte le ruote
			1999	RECORD - CHORUS all wheels / tutte le ruote
CS-201	9s thread / fil.: 26 x 1	steel/acciaio	1999	ATHENA - VELOCE - MIRAGE
			1998 / 1997	9s groups / gruppi 9s 9s wheels / ruote 9s
CS-301	9s thread / fil.: 26 x 1	steel/acciaio (for Z.11)	1999	ATHENA - VELOCE - MIRAGE
			1998 / 1997	9s groups / gruppi 9s 9s wheels / ruote 9s
CS-001T	9s thread / fil.: 26 x 1	titanium/titanio	1999	ATHENA - VELOCE - MIRAGE
			1998 / 1997	9s groups / gruppi 9s 9s wheels / ruote 9s '97 8 Speed aluminum freewheel body / corpetto RL in alluminio 8s '97
CS-001V	8s thread / fil.: 29 x 1	steel/acciaio	1999 and previous 1999 e precedenti	all 8s hubs (with steel freewheel body) tutti i mozzi 8s (con corpetto RL in acciaio)

RECORD UD 10s CSK00-RE10..

DISTANZIALI / SPACERS

F	CS-601
G	CS-602
H	CS-603
I	CS-604
L	CS-605

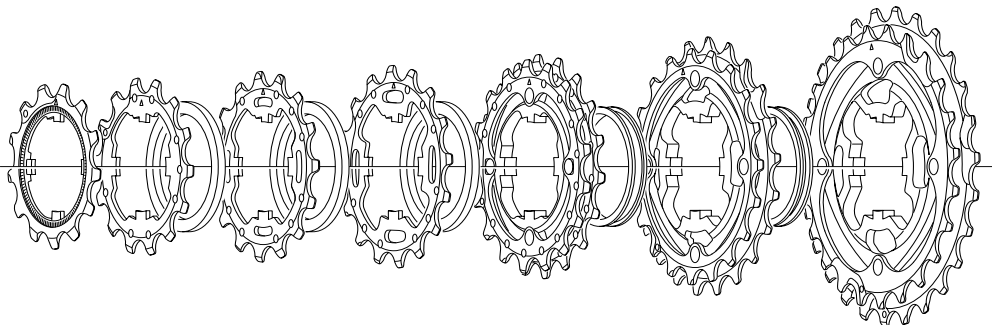


11 - 21	11A-1° 9S-011	12A-2° 10S-022		13A 10S-131	F	14A 10S-141	F	15A 10S-151	F	16A 10S-161	G	17A-18C* 10S-78CT	H	19C-21C* 10S-91CT
11 - 23	11A-1° 9S-011	12A-2° 10S-022		13A 10S-131	F	14A 10S-141	F	15A 10S-151	F	16A 10S-161	G	17A-19A* 10S-79AT	H	21A-23A* 10S-13AT
12 - 25	12A-1° 10S-012	13A 10S-131	F	14A 10S-141	F	15A 10S-151	F	16A-17A* 10S-67A	I	19A-21A* 10S-91AT	L	23A-25A* 10S-35AT		
13 - 26	13A-1° 10S-013	14A 10S-141	F	15A 10S-151	F	16A 10S-161	F	17A-18C* 10S-78C	I	19C-21C* 10S-91CT	L	23C-26C* 10S-36CT		
13 - 29	13A-1° 10S-013	14A 10S-141	F	15A 10S-151	F	16A 10S-161	F	17A-19A* 10S-79A	I	21A-23A* 10S-13AT	L	26A-29A* 10S-69AT		

* pre-assembled

**RECORD UD
TITANIUM 10s
CSK00-RE10..T**

DISTANZIALI / SPACERS	
F	CS-601
G	CS-602
H	CS-603
I	CS-604
L	CS-605



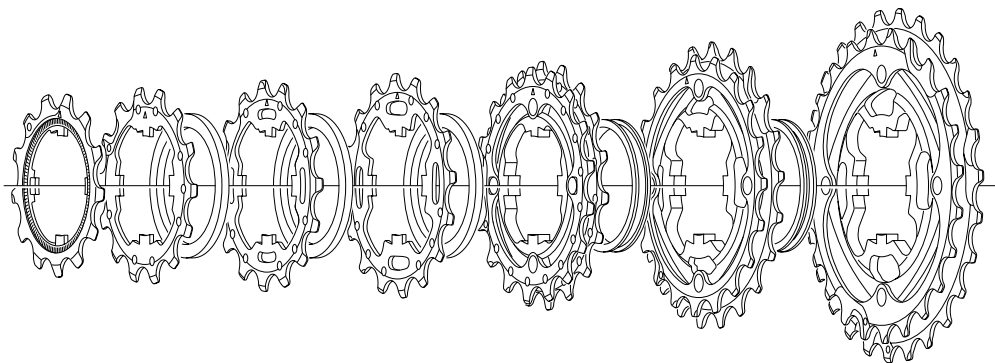
11 - 23	11A-1° 9S-011	12A-2° 10S-022T		13A 10S-131T	F	14A 10S-141T	F	15A 10S-151T	F	16A 10S-161T	G	17A-19A* 10S-79AT	H	21A-23A* 10S-13AT
12 - 25	12A-1° 10S-012T	13A 10S-131T	F	14A 10S-141T	F	15A 10S-151T	F	16A-17A* 10S-67AT	I	19A-21A* 10S-91AT	L	23A-25A* 10S-35AT		
13 - 26	13A-1° 10S-013T	14A 10S-141T	F	15A 10S-151T	F	16A 10S-161T	F	17A-18C* 10S-78CT	I	19C-21C* 10S-91CT	L	23C-26C* 10S-36CT		

* pre-assembled

CHORUS UD 10s
CSK00-CH10..

DISTANZIALI / SPACERS

F	CS-601
G	CS-602
H	CS-603
I	CS-604
L	CS-605



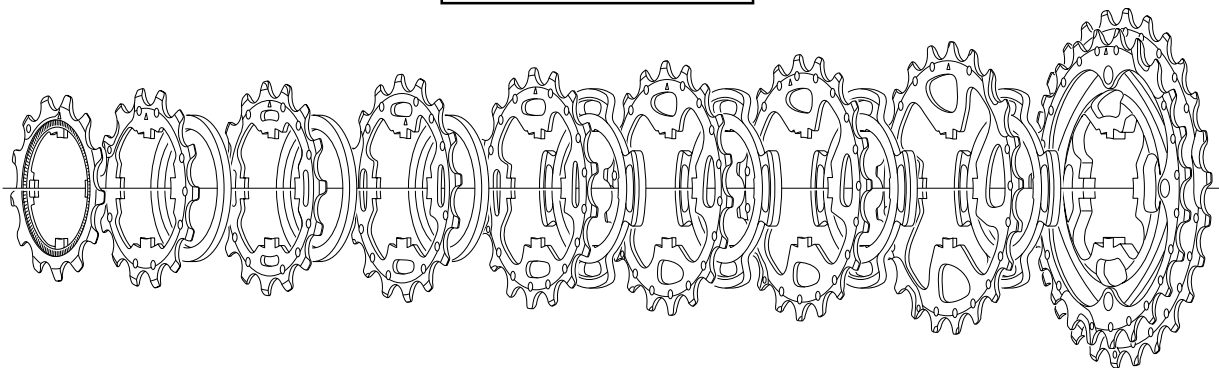
11 - 23	11A-1° 9S-011	12A-2° 10S-022		13A 10S-131	F	14A 10S-141	F	15A 10S-151	F	16A 10S-161	G	17A-19A* 10S-79A	H	21A-23A* 10S-13A
12 - 25	12A-1° 10S-012	13A 10S-131	F	14A 10S-141	F	15A 10S-151	F	16A-17A* 10S-67A	I	19A-21A* 10S-91A	L	23A-25A* 10S-35A		
13 - 26	13A-1° 10S-013	14A 10S-141	F	15A 10S-151	F	16A 10S-161	F	17A-18C* 10S-78C	I	19C-21C* 10S-91C	L	23C-26C* 10S-36C		
13 - 29	13A-1° 10S-013	14A 10S-141	F	15A 10S-151	F	16A 10S-161	F	17A-19A* 10S-79A	I	21A-23A* 10S-13A	L	26A-29A* 10S-69A		

* pre-assembled

CENTAUR UD 10s
CS02-CE10..

DISTANZIALI / SPACERS

F	CS-601
G	CS-602
M	CS-606
N	CS-607

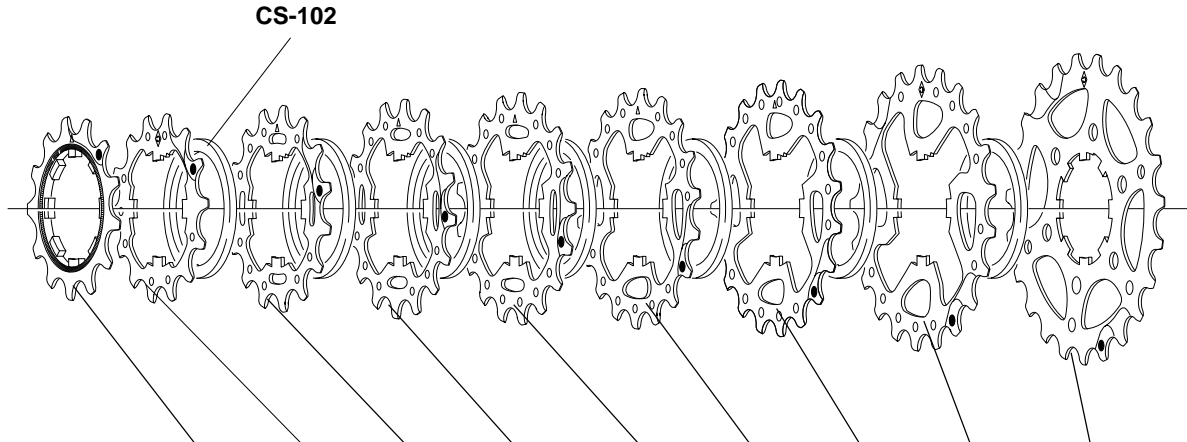


11 - 23	11A-1° 9S-011	12A-2° 10S-022		13A 10S-131	F	14A 10S-141	F	15A 10S-151	F	16A 10S-161	G	17A 10S-171	N	19A 10S-191	M	21A-23A* 10S-13A
12 - 25	12A-1° 9S-113	13A 10S-131	F	14A 10S-141	F	15A 10S-151	F	16A 10S-161	F	17A 10S-171	N	19A 10S-191	N	21A 10S-211	M	23A-25A* 10S-35A
13 - 26	13A-1° 10S-013	14A 10S-141	F	15A 10S-151	F	16A 10S-161	F	17A 10S-171	N	18C 10S-183	N	19C 10S-193	N	21C 10S-213	M	23C-26C* 10S-36C
13 - 29	13A-1° 10S-013	14A 10S-141	F	15A 10S-151	F	16A 10S-161	F	17A 10S-171	N	19A 10S-191	N	21A 10S-211	N	23A 10S-231	M	26A-29A* 10S-69A

* pre-assembled

VELOCE UD 9s
CS01-EC09..

MIRAGE UD 9s compatible



12 - 23	12A-1° 9S-113	13A 9S-131	14A 9S-141	15A 9S-151	16A 9S-161	17A 9S-171	19A 9S-191	21A 9S-211	23A 9S-231
13 - 23	13A-1° 9S-114	14A 9S-141	15A 9S-151	16A 9S-161	17A 9S-171	18C 9S-183	19C 9S-193	21C 9S-213	23C 9S-233
13 - 26	13A-1° 9S-114	14A 9S-141	15A 9S-151	16A 9S-161	17A 9S-171	19A 9S-191	21A 9S-211	23A 9S-231	26A 9S-261
13 - 28	13B-1° 9S-015	14B 9S-142	15B 9S-152	17B 9S-172	19A 9S-191	21A 9S-211	23A 9S-231	25A 9S-251	28A 9S-281

SPROCKETS

VARIOUS

PACCHI PIGNONI <i>RECORD</i> 8 SPEED ----- <i>RECORD</i> 8 SPEED SPROCKET SET	CS99-RE0823	12 - 23
	CS99-RE0833	13 - 23
	CS99-RE0836	13 - 26

PACCHI PIGNONI PER RUOTA <i>GHIBLI 2000</i> (9 pignoni - spaziatura 10s) ----- SPROCKET SETS FOR <i>2000 GHIBLI</i> WHEEL (9 sprockets - 10s spacing)	CS00-GH0919	11 - 19
	CS00-GH0911	11 - 21

PEDALS

RECORD
PRO-FIT PLUS
PD01-RE

CHORUS
PRO-FIT PLUS
PD01-CH

CENTAUR
PRO-FIT PLUS
PD02-CE

RECORD

R PD-RE303

L PD-RE304

CHORUS

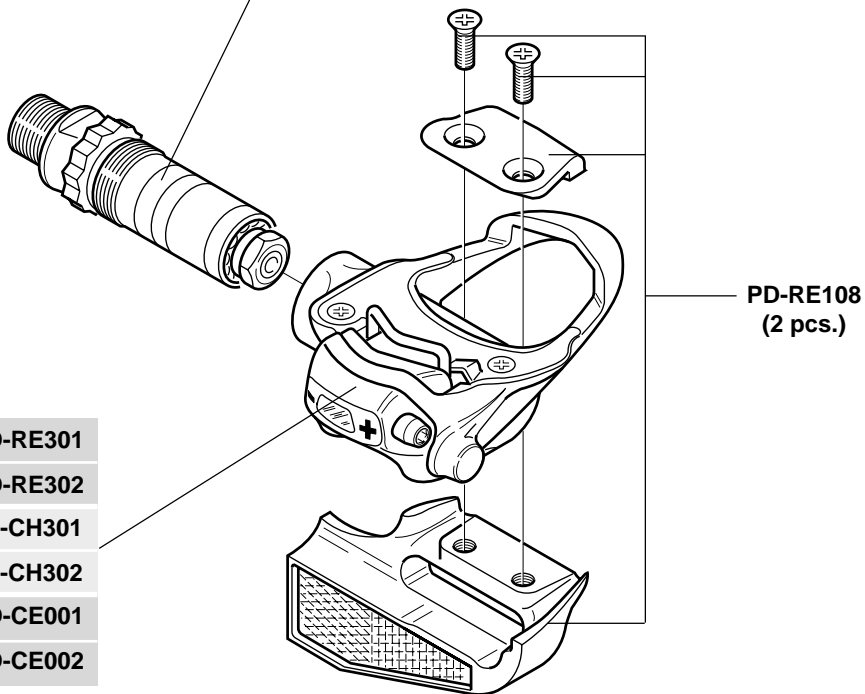
R PD-CH303

L PD-CH304

CENTAUR

R PD-DA003

L PD-DA004



RECORD

R PD-RE301

L PD-RE302

CHORUS

R PD-CH301

L PD-CH302

CENTAUR

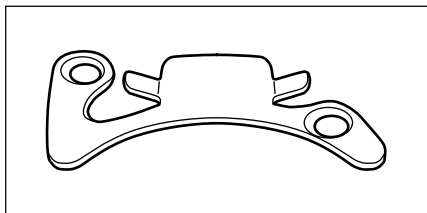
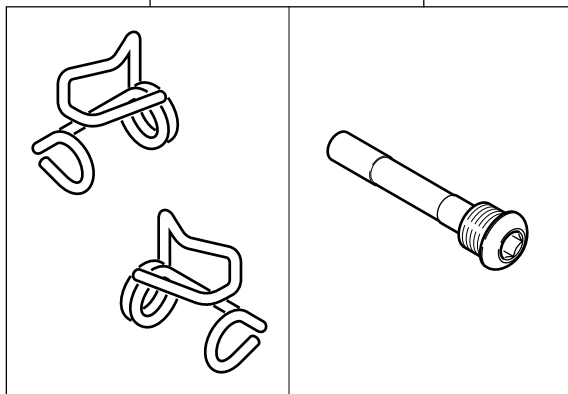
R PD-CE001

L PD-CE002

**PRO-FIT
PRO-FIT PLUS
SPARE PARTS**

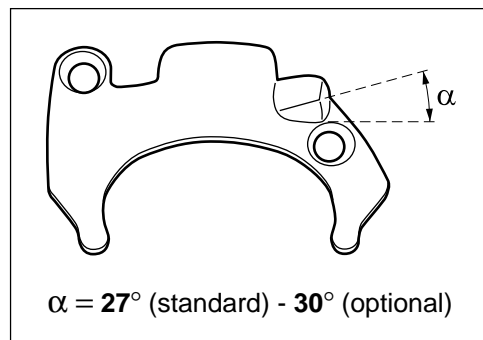
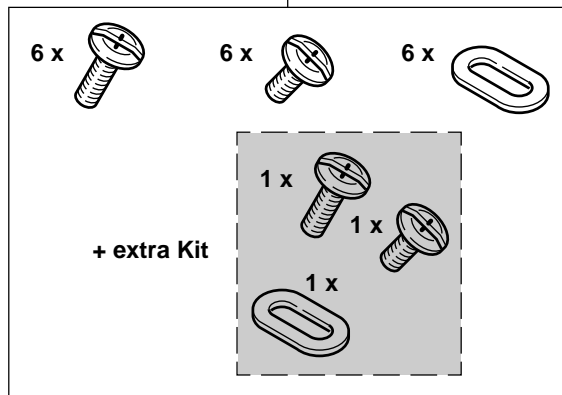
R + L: PD-RE105

PD-RE107



**PRO-FIT
PD-RE111**

PD-RE116 (blister)

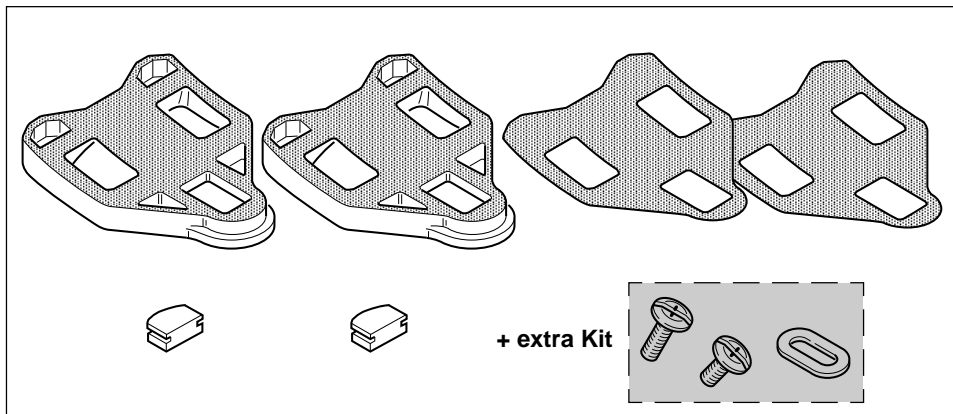


$\alpha = 27^\circ$ (standard) - 30° (optional)

PRO-FIT PLUS

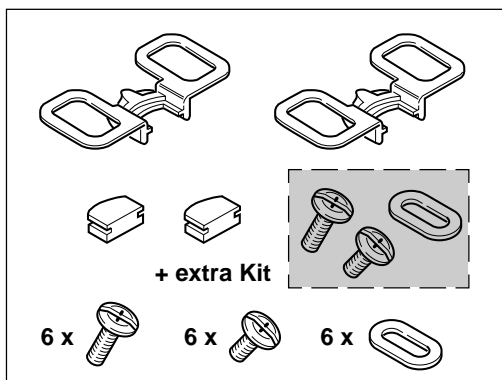
PD-RE110: standard - 27°
PD-RE109: HRE - optional - 30°

PRO-FIT PRO-FIT PLUS SPARE PARTS



**FLOATING CLEATS
PD-RE020
(blister)**

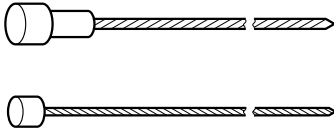
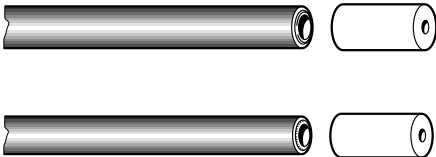

**FIXED CLEATS
PD-RE021
(blister)**



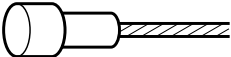






PD-RE200 (blister)

CABLES & CASINGS

complete sets

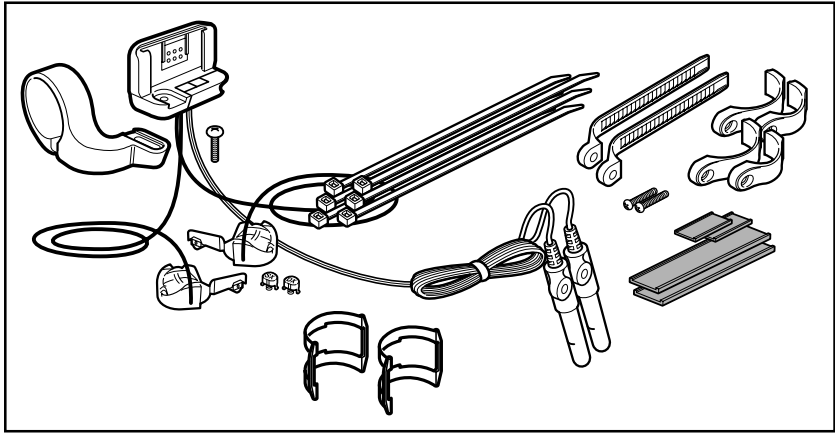
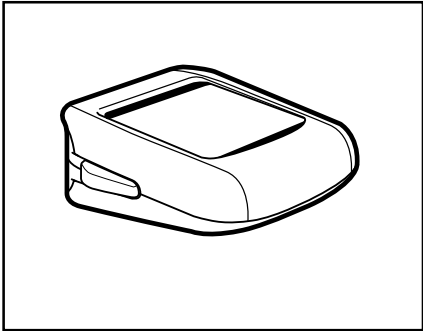
	<p>ERGOPOWER</p>	<p>CG-ER500 *</p>	
	<p>TRADITIONAL</p>	<p>Brakes</p>	<p>CG-BR201</p>
	<p>TRADITIONAL</p>	<p>Derailleurs</p>	<p>CG-DD101</p>

* blister-packed / in conf. blister (incl. brake housing ferrules / incl. capi guaina)

SPARE PARTS		FRONT	REAR	
BRAKES		Ø 1,6 mm L. 800 mm CG-CB003	Ø 1,6 mm L. 1600 mm CG-CB013	
		Ø 5 mm L. 580 mm CG-CS014	Ø 5 mm L. 1250 mm CG-CS002	
		Ø 6 mm CG-CS011 (not sealed/senza guarnizione)		
DERAILLEURS	 Ø 1,2 mm	ERGOPOWER	L. 1600	CG-CB014
		ERGOPOWER	L. 2000	CG-CB009
		SHIFTING LEVERS	L. 830	CG-CB011
		SHIFTING LEVERS	L. 1600	CG-CB014
	 Ø 4,5 mm	ERGOPOWER	L. 680	CG-CS015
		ERGOPOWER	L. 330	CG-CS008
		Ø 5,7 mm CG-CS012 (sealed/con guarnizione)		
	Ø 5,7/4 mm CG-CS013 (sealed/con guarnizione)			



MAIN UNIT / SOLO COMPUTER
ErgoBrain 10 CI00-EB10C2
(9s / 10s compatible)

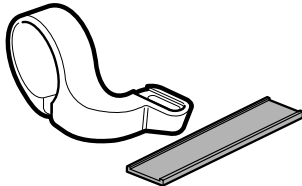
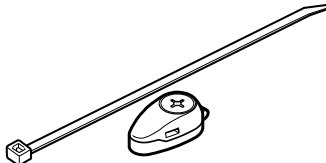
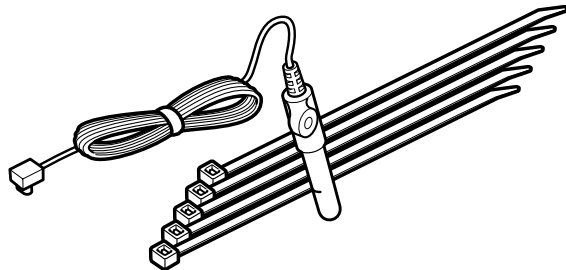

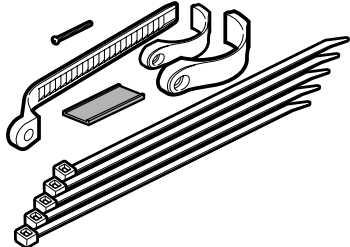
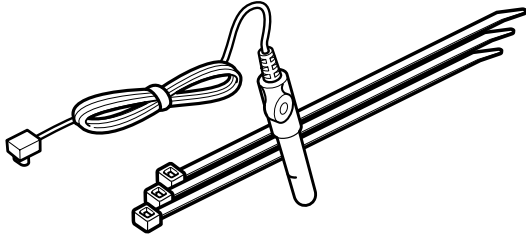



ASSEMBLY KIT /
KIT D'INSTALLAZIONE

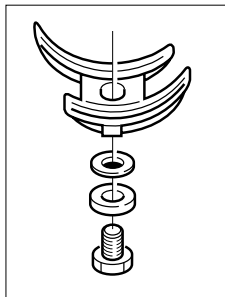
ErgoBrain CI00-EB09B1
(for 9s drivetrain / per trasmissione 9s)

ErgoBrain 10 CI00-EB10B2
(for 10s drivetrain / per trasmissione 10s)

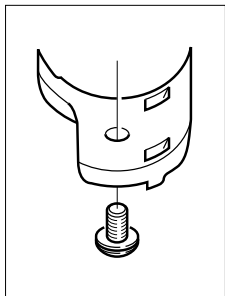


	 <p>CDC magnet / magnete cadenza CI-EB003</p>	
<p>31.7mm arm / fascetta 31,7mm CI-EB001</p>		<p>CDC sensor / sensore cadenza CI-EB006</p>
	<p>CDC PRO-FIT pedal magnet / magnete cadenza pedale PRO-FIT CI-EB004</p>	
<p>Sensor attachment / Fascetta sensori CI-EB002</p>	 <p>SPD magnet / magnete velocità CI-EB008</p>	<p>SPD sensor / sensore velocità CI-EB007</p>

CABLE GUIDE PLATES

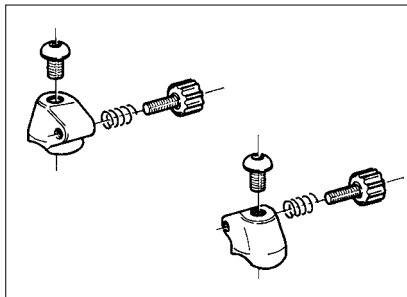


AI-00CD
(stainless steel)

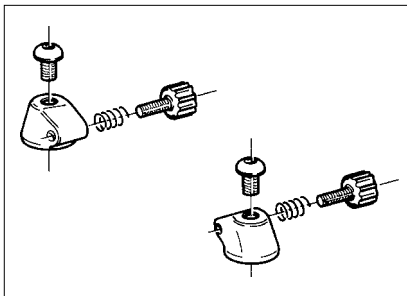


AI-12CD
(resin)

ERGOPOWER BLOCKS

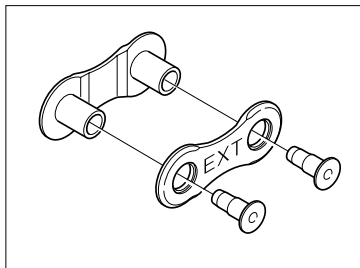


FOR ROUND FRAME
Aluminum: **EC-RE001**
Resin: **EC-AT001**



FOR FLAT FRAME
Resin: **EC-AT002**

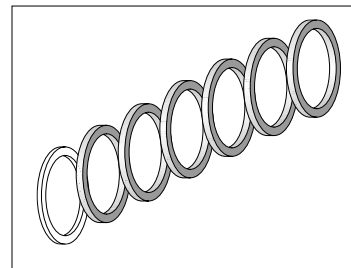
CN-RE100
Perma-Link
for C10 UD chain
(blister-packed)



KIT-03

Transforms a Veloce 9s sprocket set into a 8s cassette.

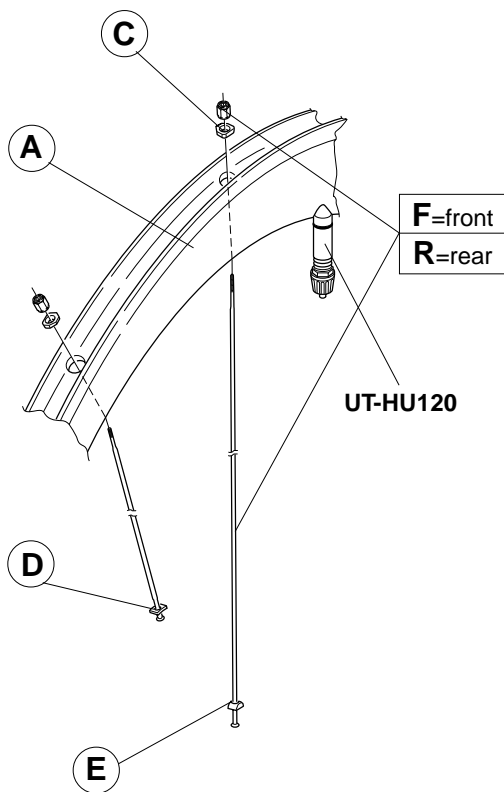
**Only for 9s/10s
hub/wheels.**



VARIOUS (blister-packed)

RD-RE700	rotelline cambio 10s	10s rear derailleur pulleys	jeu de galets dérail. arr. 10s
RD-RE600	rotelline cambio 9s	9s rear derailleur pulleys	jeu de galets dérail. arr. 9s
RD-RE500	rotelline cambio 8s	8s rear derailleur pulleys	jeu de galets dérail. arr. 8s
EC-RE600	coprisupporti EP dx + sx "new style"	right+left EP rubber hoods (new style)	repose-main EP droit+gauche "new style"
EC-RE500	coprisupporti EP dx + sx "old style"	right+left EP rubber hoods (old style)	repose-main EP droit+gauche "old style"
BR-RE701	pattini freno per ruote HYPERON	brake pads for HYPERON wheels	patins de frein pour roues HYPERON
BR-RE700	pattini freno	brake pads	patins de frein
BR-RE600	pattini freno	brake pads	patins de frein
BR-MI600	pattini freno compl.	compl. brake pads	patins de frein compl.
BL-RE500	coprisupporti tradizionali (gamma 2000 e prec.)	right+left traditional rubber hoods (2000 range and prev.)	repose-main trad. droit + gauche (gamme 2000 et préc.)
PD-RE020	tacchette pedali (con gioco)	self-aligning pedal cleats	plaques avec jeu pour pédales
PD-RE021	tacchette pedali (senza gioco)	fixed pedal cleats	plaques sans jeu pour pédales
PD-RE200	denti d'aggancio pedali + viti	pedal engaging hooks + screws	dispositifs d'accrochage pour pédales + vis
PD-RE116	viti fissaggio tacchette pedali	pedal cleats fixing screws	vis fixation plaques pédales
CG-ER500	cavi e guaine EP (con capi-guaina)	EP cables and casings (with brake housing ferrules)	câbles et gaines EP (avec butées de gaines)
CN-RE100	maglia Perma-Link per catena UD 10s	Perma-Link for 10s UD chain	maillon Perma-Link pour chaîne UD 10s

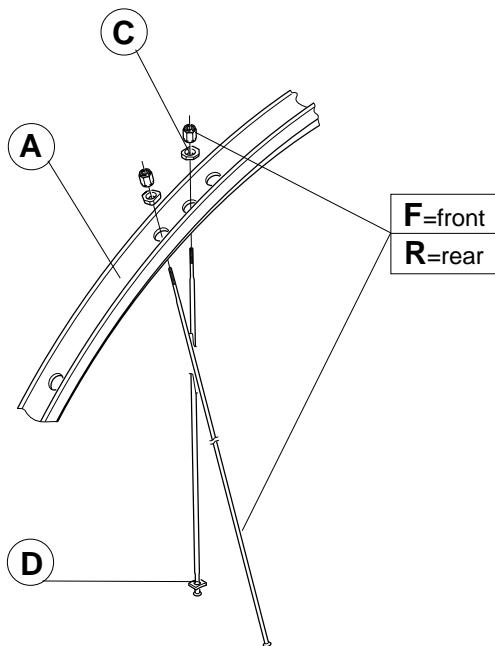
BORA 9s / 10s



COMPLETE WHEELS	A	Compl. KIT	MINI-KIT
FRONT			KIT-100BO (2 F+2 R right+2 R left+6 C+4 D+2E)
WH99-BOTF tubular 28"	WH-201BO	KIT-11BO (16F+16C+16D)	
REAR			
WH99-BOTR WH99-BOTRX tubular 28"	WH-301BO	KIT-12BO (9 R right+9 R left+18 C+9 D+9E)	

COMPLETE WHEELS	F	R right	R left
WH99-BOTF tubular 28"	L. 278 mm		
WH99-BOTR WH99-BOTRX tubular 28"		L. 277 mm	L. 278 mm

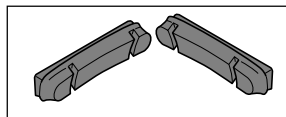
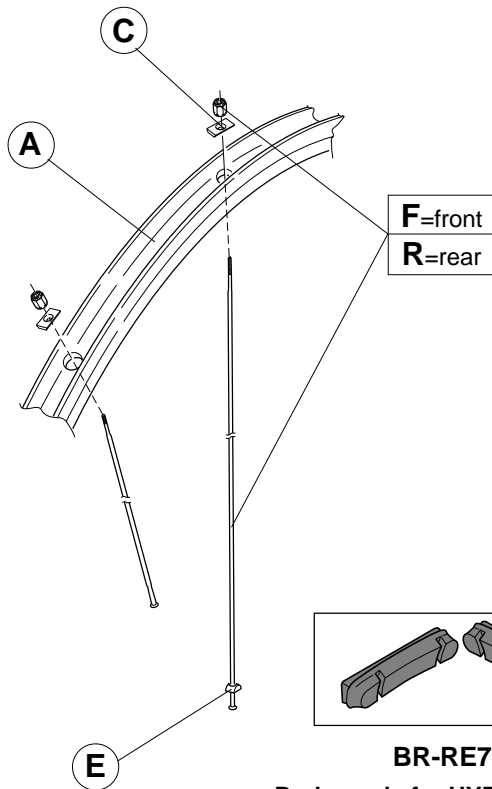
EURUS 9s / 10s



COMPLETE WHEELS	A	Compl. KIT	MINI-KIT
FRONT			KIT-200EU (2 F+2 R right+2 R left+6 C+4 D)
WH02-EUCF clincher 28"	WH-003EU	KIT-03EU (18F+18C+18D)	
REAR			
WH02-EUCR WH02-EUCRX clincher 28"	WH-004EU	KIT-04EU (15 R right+8 R left+15 C+8 D)	

COMPLETE WHEELS	F	R right	R left
WH02-EUCF clincher 28"	L. 285 mm		
WH02-EUCR WH02-EUCRX clincher 28"		L. 288 mm	L. 285 mm

HYPERON 9s / 10s



BR-RE701

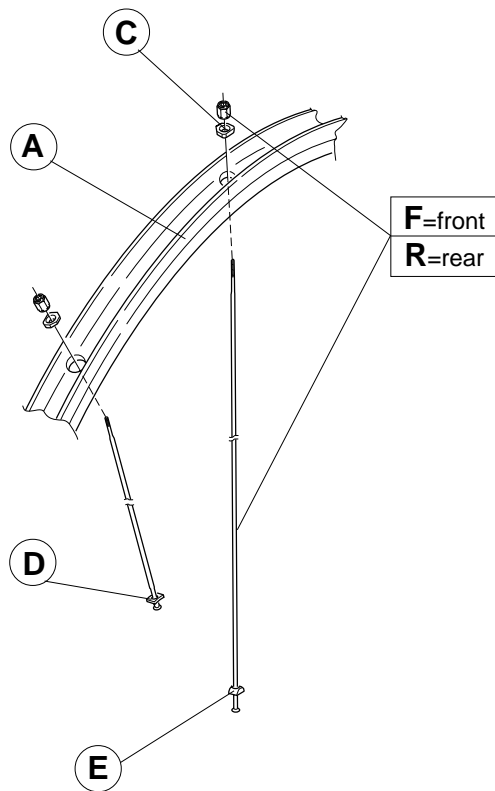
Brake pads for HYPERON wheel

Pattini per ruota HYPERON

COMPLETE WHEELS	A	Compl. KIT	MINI-KIT
FRONT			KIT-100HY (2 F+2 R right+2 R left+6 C+2E)
WH02-HYTF tubular 28"	WH-001HY	KIT-01HY (24F+24C)	
REAR			
WH02-HYTR WH02-HYTRX tubular 28"	WH-002HY	KIT-02HY (13 R right+13 R left+26 C+13E)	

COMPLETE WHEELS	F	R right	R left
WH02-HYTF tubular 28"	L. 294,5 mm		
WH02-HYTR WH02-HYTRX tubular 28"		L. 295 mm	L. 294,5 mm

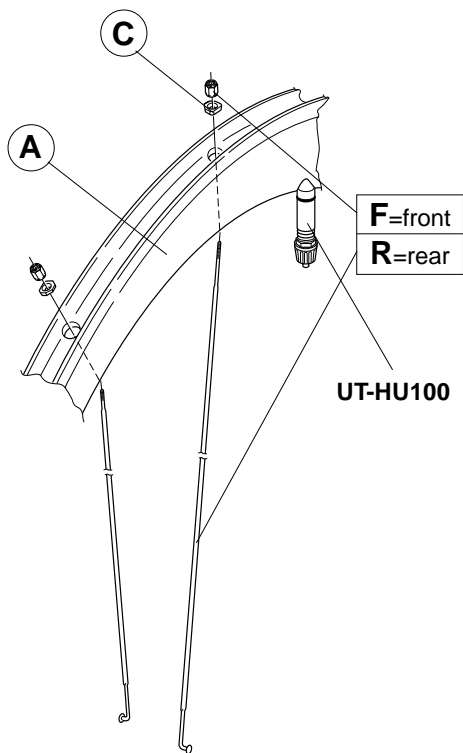
NEUTRON 9s / 10s



COMPLETE WHEELS	A	Compl. KIT	MINI-KIT
FRONT			
WH02-NETF tubular 28"	WH-001NE	KIT-01NE (24F+24C+24 D)	KIT-100NE (2 F+2 R right+2 R left+6 C+4 D+2 E)
WH02-NECF clincher 28"	WH-003NE	KIT-03NE (24F+24C+24 D)	
REAR			
WH02-NETR WH02-NETRX tubular 28"	WH-002NE	KIT-02NE (13 R right+13 R left+26 C+13 D+13E)	KIT-200NE (2 F+2 R right+2 R left+6 C+4 D+2 E)
WH02-NECR WH02-NECRX clincher 28"	WH-004NE	KIT-04NE (13 R right+13 R left+26 C+13 D+13E)	

COMPLETE WHEELS	F	R right	R left
WH02-HYTF tubular 28"	L. 296,5 mm		
WH02-HYCF clincher 28"	L. 294,25 mm		
WH02-HYTR WH02-HYTRX tubular 28"		L. 299,5 mm	L. 296,5 mm
WH02-HYCR WH02-HYCRX clincher 28"		L. 296,5 mm	L. 294,75 mm

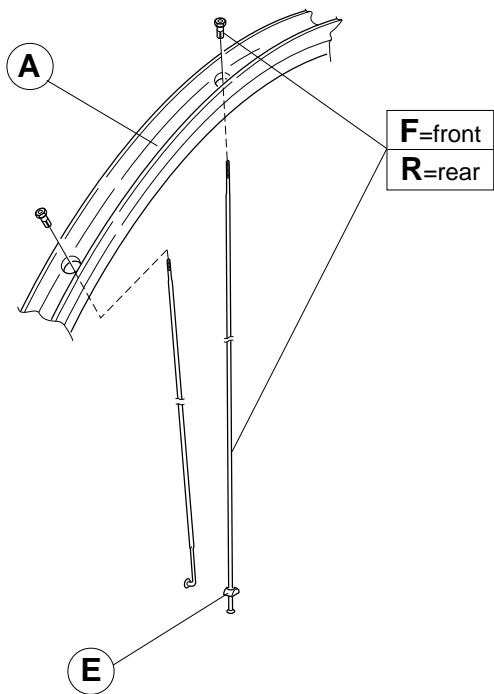
"PISTA"



COMPLETE WHEELS	A	Compl. KIT	MINI-KIT
FRONT			KIT-100PI (3 F+3 R+6 C)
WH02-PTF tubular 28"	WH-001PI	KIT-01PI (22F+22C)	
REAR			
WH02-PTR tubular 28"	WH-002PI	KIT-02PI (26 R+26 C)	

COMPLETE WHEELS	F	R
WH02-PTF tubular 28"	L. 278 mm	
WH02-PTR tubular 28"		L. 287 mm

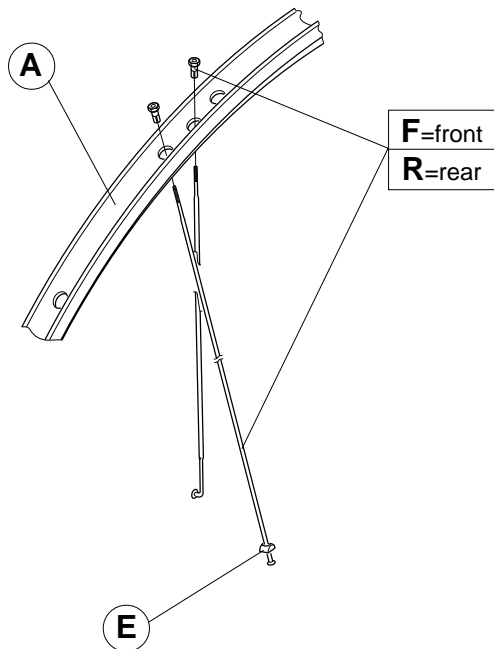
PROTON 9s / 10s



COMPLETE WHEELS	A	Compl. KIT	MINI-KIT
FRONT			KIT-400PR (2 F+2 R right+2 R left+2 E)
WH02-PRCF clincher 28"	WH-201PR	KIT-03PR (24F)	
REAR			
WH02-PRCR WH02-PRCRX clincher 28"	WH-202PR	KIT-04PR (13 R right+13 R left+13 E)	

COMPLETE WHEELS	F	R right	R left
WH02-PRCF clincher 28"	L. 283 mm		
WH02-PRCR WH02-PRCRX clincher 28"		L. 292 mm	L. 283 mm

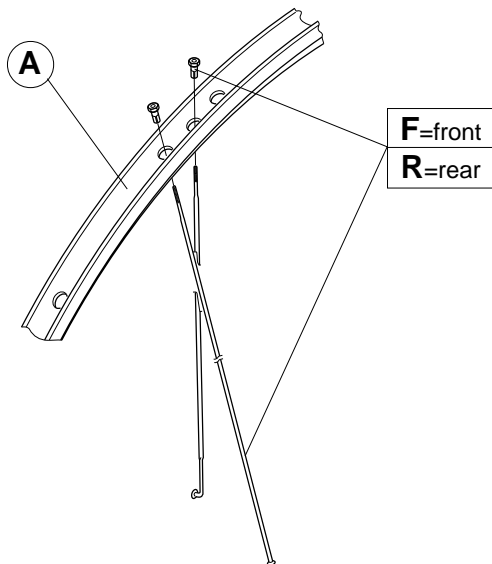
SCIROCCO
9s / 10s



COMPLETE WHEELS	A	Compl. KIT	MINI-KIT
FRONT			KIT-200SC (2 F+2 R right+2 R left+2 E)
WH02-SCCF clincher 28"	WH-003SC	KIT-03SC (26F)	
REAR			
WH02-SCCR WH02-SCCRX clincher 28"	WH-004SC	KIT-04SC (17 R right+9 R left+17 E)	

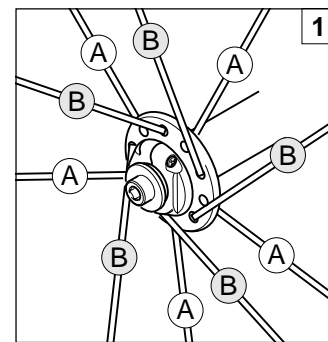
COMPLETE WHEELS	F	R right	R left
WH02-SCCF clincher 28"	L. 275 mm		
WH02-SCCR WH02-SCCRX clincher 28"		L. 279 mm	L. 272 mm

ZONDA 9s / 10s

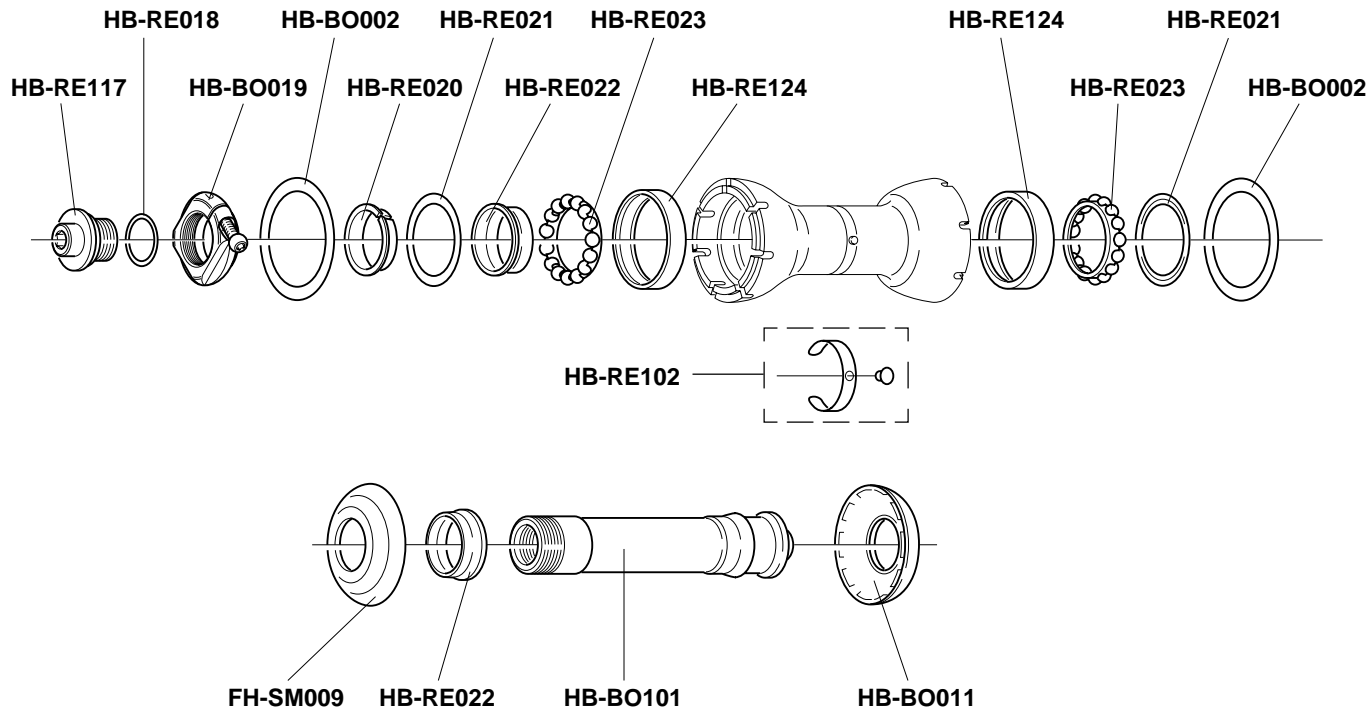


COMPLETE WHEELS	A	Compl. KIT	MINI-KIT
FRONT			KIT-200ZO (2 F/A+2F/B+2 R right+2 R left)
WH02-ZOCF clincher 28"	WH-003ZO	KIT-03ZO (11F/A+11F/B)	
REAR			
WH02-ZOCR WH02-ZOCRX clincher 28"	WH-004ZO	KIT-04ZO (15 R right+ 8 R left)	

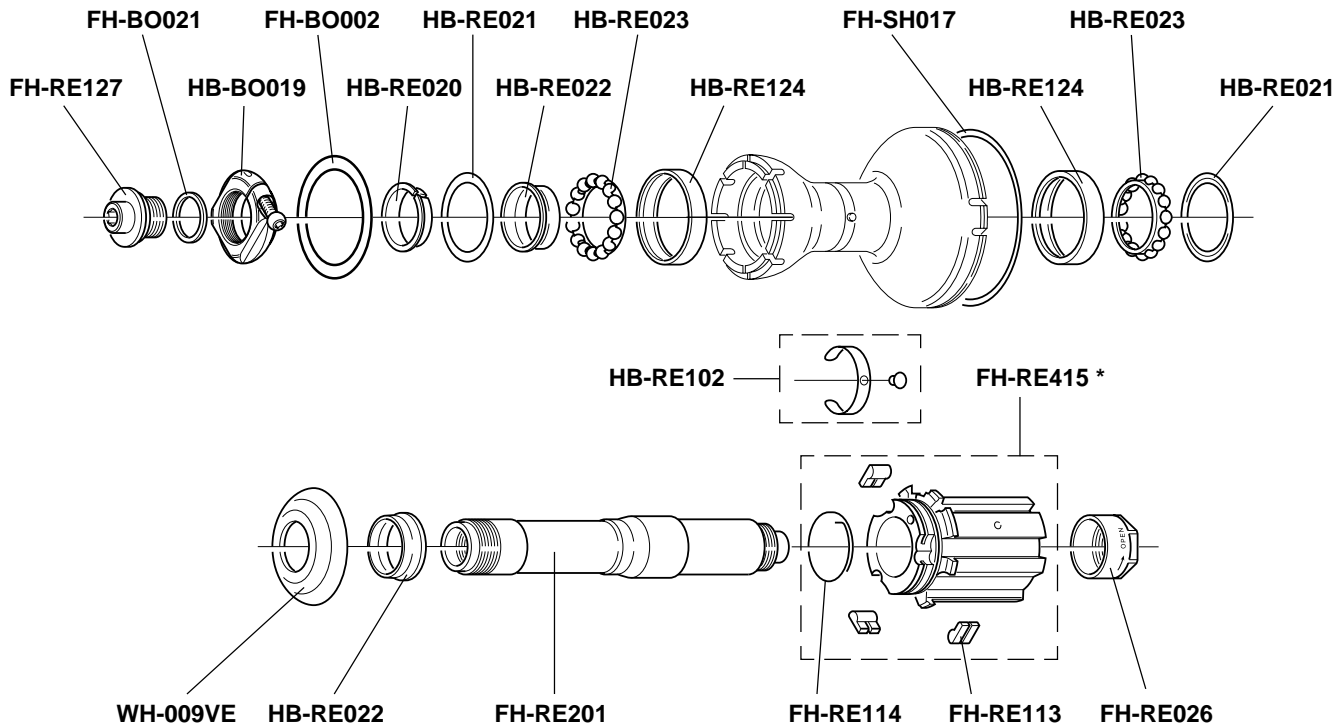
COMPLETE WHEELS	F (Fig. 1)	R right	R left
WH02-ZOCF clincher 28"	A: L. 273 mm B: L. 292 mm		
WH02-ZOCR WH02-ZOCRX clincher 28"		L. 282 mm	L. 271 mm



MOZZO ANTERIORE
BORA - NEUTRON - EURUS
FRONT HUB



MOZZO POSTERIORE 9s / 10s
BORA - NEUTRON - EURUS
9s / 10s REAR HUB

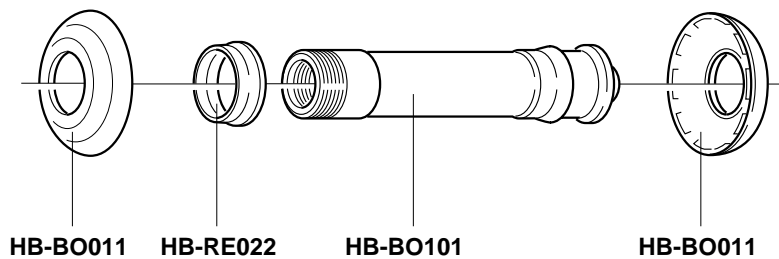
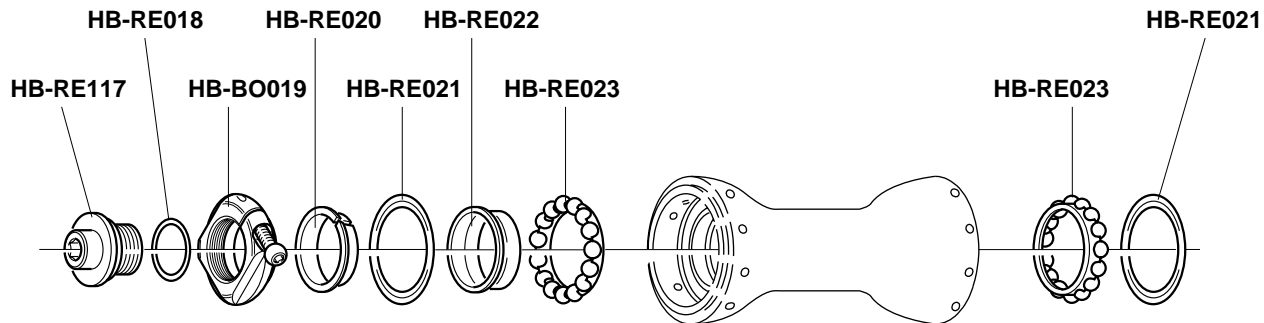


* HG 8/9 type FW body / corpetto RL tipo HG 8/9:

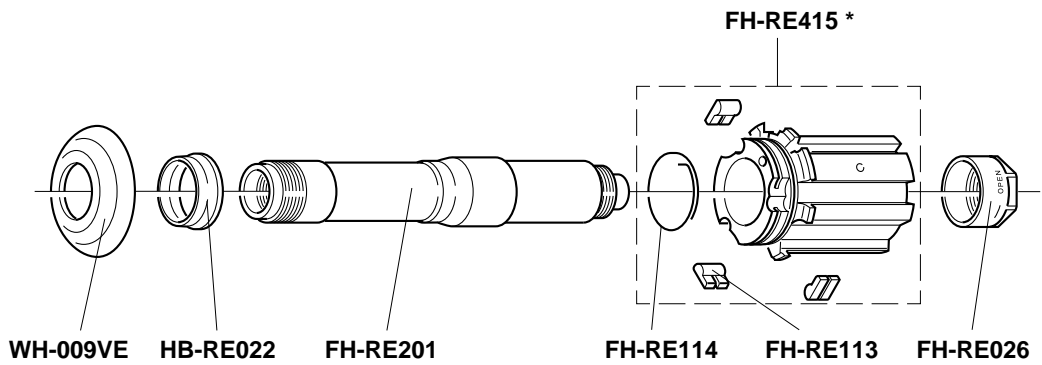
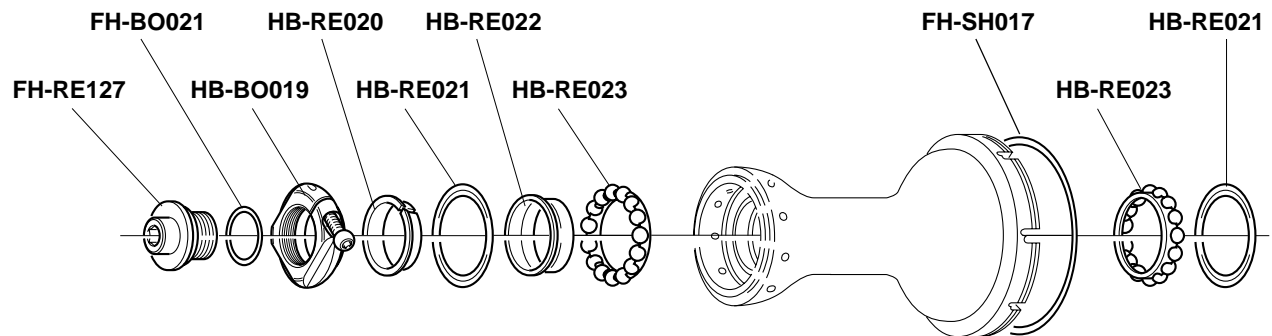
WH-KX1 (RECORD type)

WH-KX2 (CHORUS type)

MOZZO ANTERIORE
HYPERON
FRONT HUB



MOZZO POSTERIORE 9s / 10s
HYPERON
9s / 10s REAR HUB

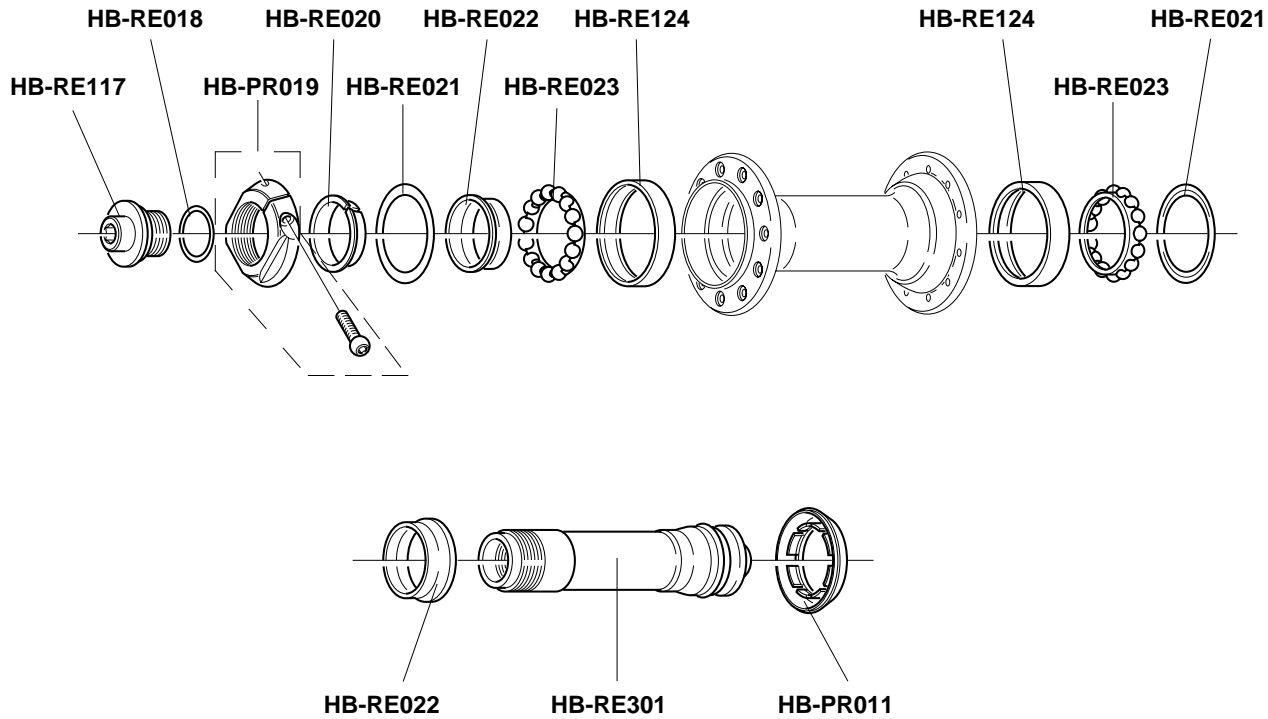


* HG 8/9 type FW body / corpetto RL tipo HG 8/9:

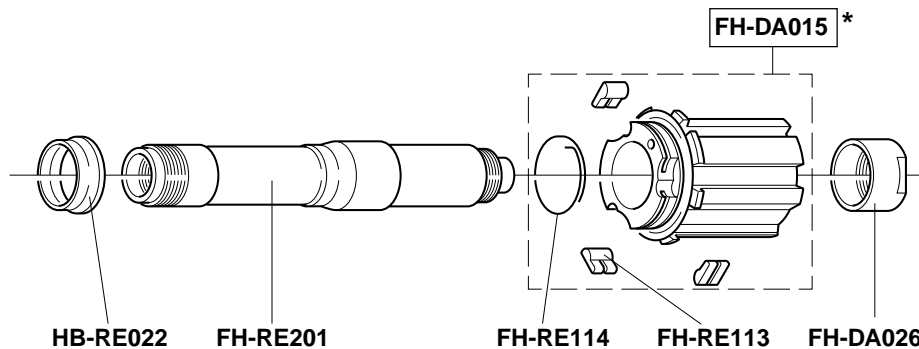
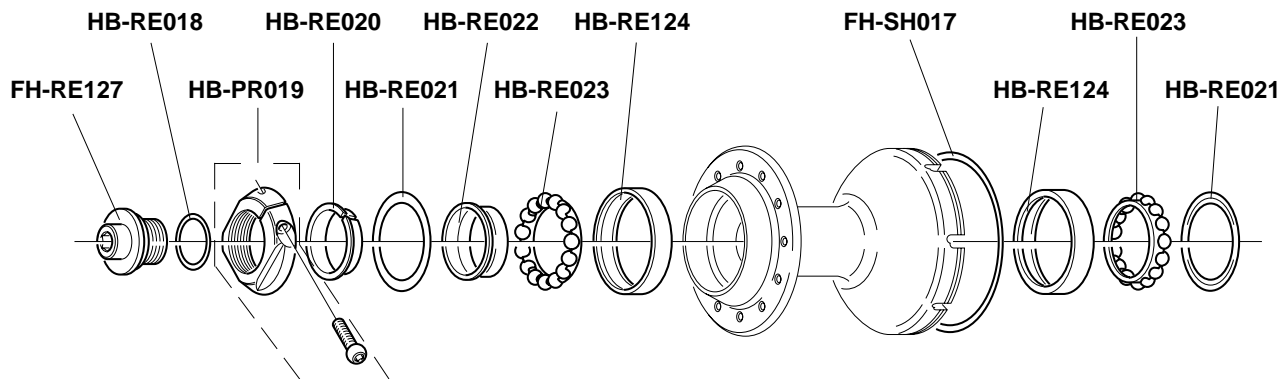
WH-KX1 (RECORD type)

WH-KX2 (CHORUS type)

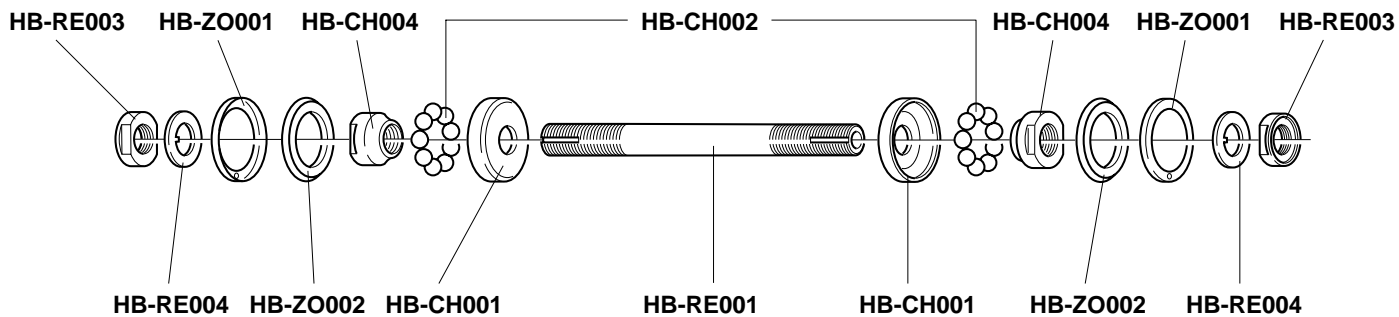
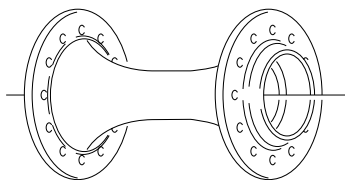
**MOZZO ANTERIORE
PROTON - ZONDA
FRONT HUB**



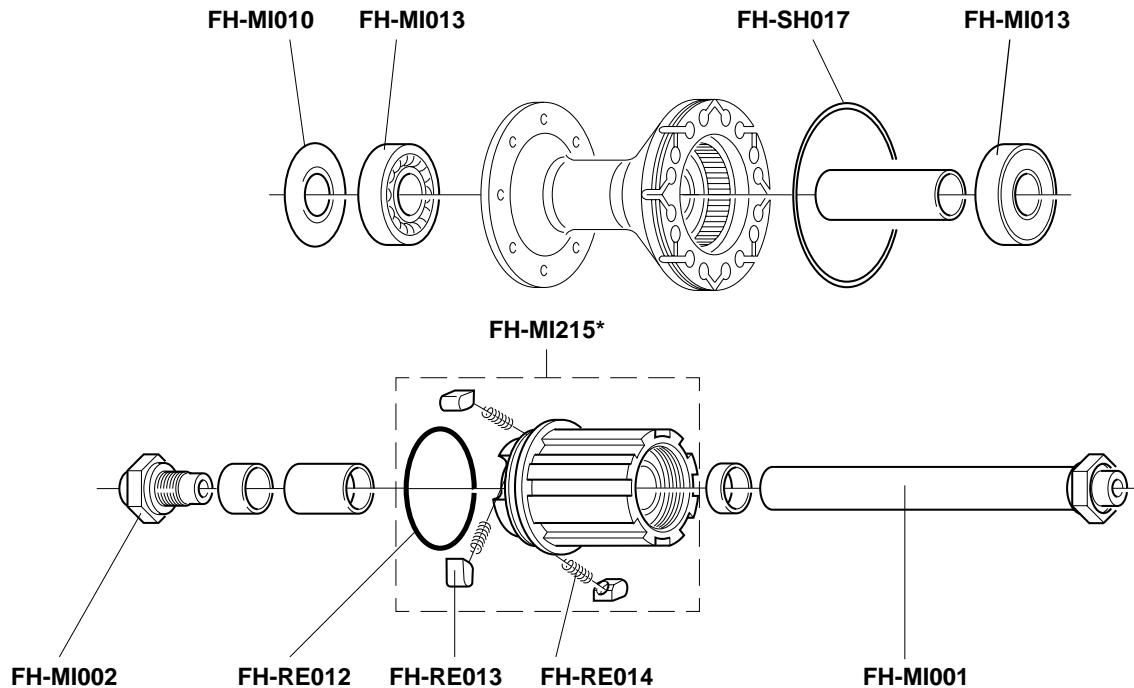
MOZZO POSTERIORE PROTON - ZONDA REAR HUB



MOZZO ANTERIORE
SCIROCCO
FRONT HUB



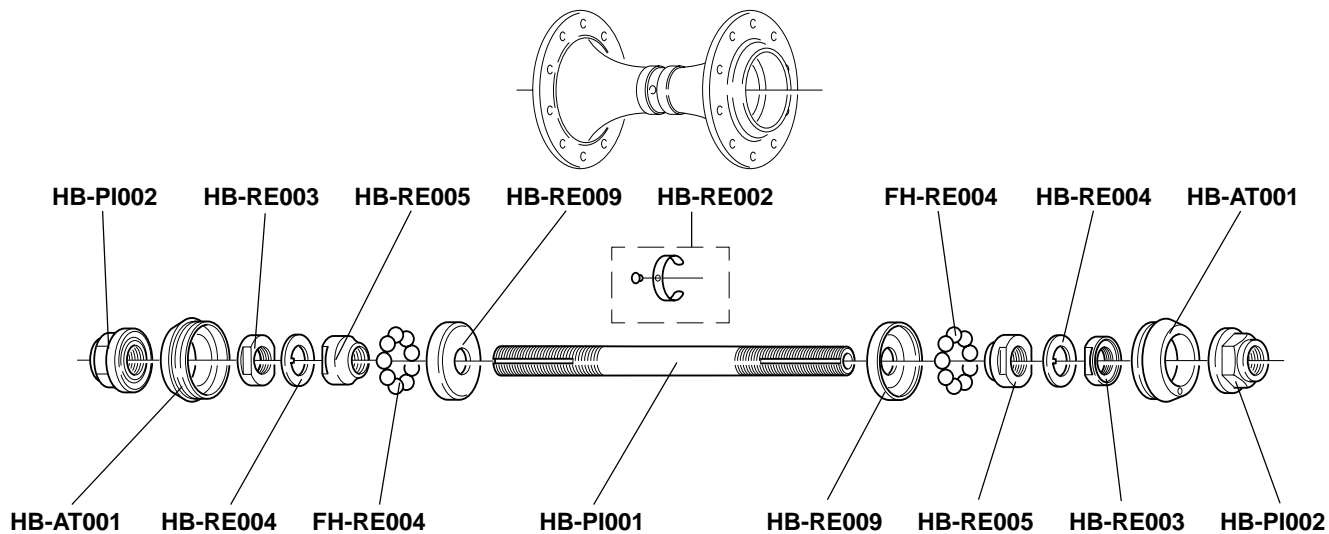
MOZZO POSTERIORE *SCIROCCO* REAR HUB



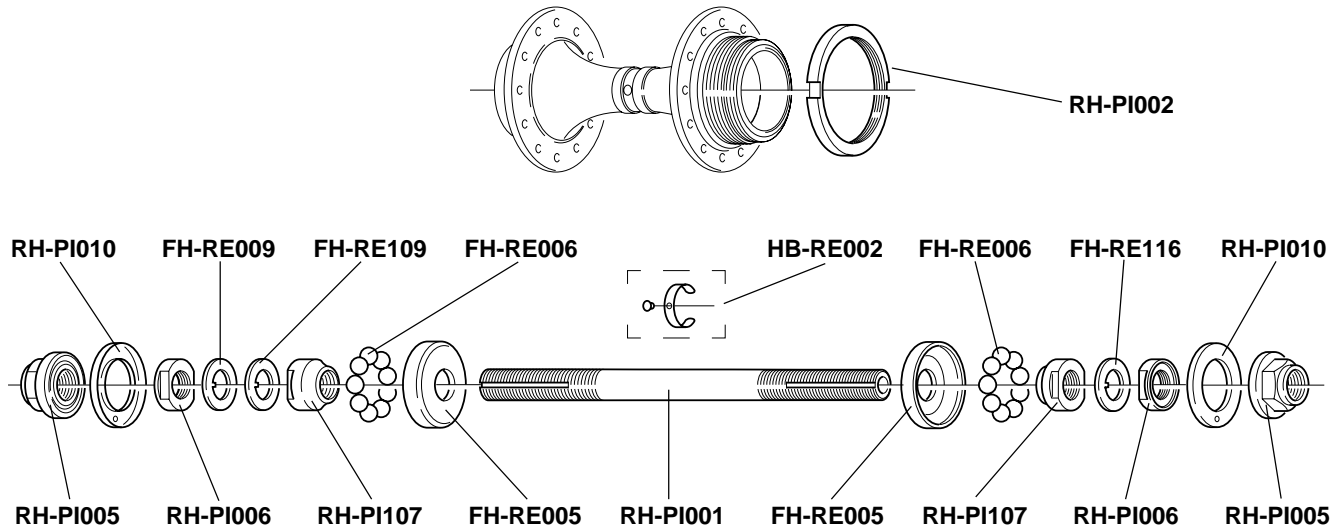
* HG 8/9 type FW body / corpetto RL tipo HG 8/9:

WH-KX3

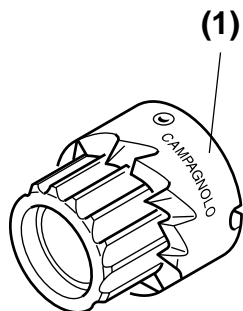
**"PISTA"
FRONT HUB**



"PISTA" REAR HUB



HEADSET



Doppia fresa sedi calotte per attrezzo UT-HS090 (Ø 1")

UT-HS093: standard

UT-HS094: con inserti in metallo duro

Double cutter cup seats for tool UT-HS090 (Ø 1")

UT-HS093: standard

UT-HS094: with hard metal inserts

Fraise double pour sièges cuvettes pour outil UT-HS090 (Ø 1")

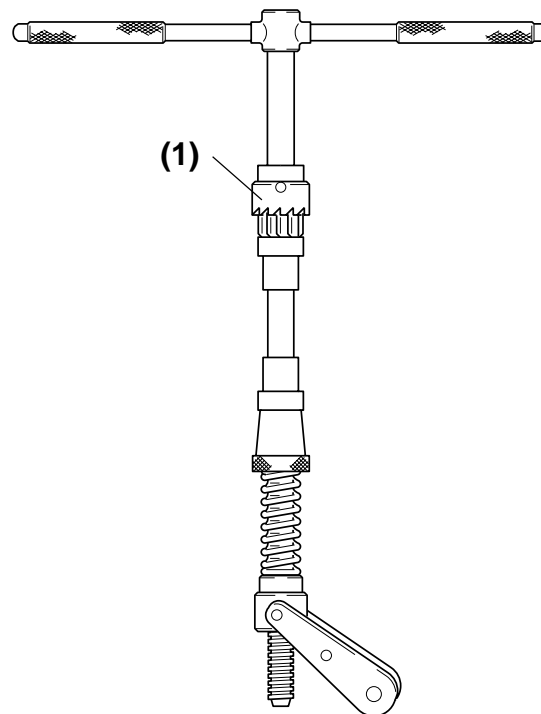
UT-HS093: standard

UT-HS094: avec inserts métal dur

Doppelfräser für Gabelkonus für Werkzeug UT-HS090 (Ø 1")

UT-HS093: Standard

UT-HS094: mit aufgetragenen Hartmetallplättchen



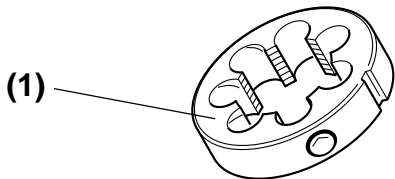
UT-HS090: Attrezzo fresatura tubo sterzo, montaggio calotta inferiore e cono superiore serie sterzo 1" - completo di doppia fresa standard (1)

UT-HS090: Tool for milling steering tube, for fitting bottom cup and top cone 1" headset - with standard double cutter (1)

UT-HS090: Outil pour fraisage tube de direction, montage cuvette inférieure et cône supérieur jeux de directions 1" - avec fraise double standard (1)

UT-HS090: Steuersatz-Fräswerkzeug - mit Standard-Doppelfräser (1) - für 1" Steuerschalensitz

HEADSET

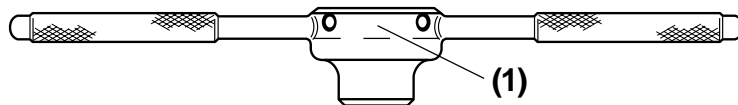


UT-HS021: Filiere per attrezzo ripasso forcella
UT-HS020 (1")

UT-HS021: Cutter for recutting fork thread tool
UT-HS020 (1")

UT-HS021: Filière pour outil repassage fourche UT-
HS020 (1")

UT-HS021: Gewindeschneider für Werkzeug UT-HS020
(1") zum Nachschneiden für Gabelschaftrohr

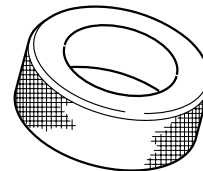


UT-HS020: Attrezzo per ripasso filetto forcelle per sterzi 1", con filiera (1)

UT-HS020: Tool for recutting fork thread for 1" head sets, with threader (1)

UT-HS020: Outil pour repassage filetage fourche pour jeux de directions
1", avec filière (1)

UT-HS020: Werkzeug zum Nachschneiden von Gabelschaftgewinde, mit
Gewindeschneider (1), für Ø 1" Steuersatz



UT-HS110: Attrezzo mont. cono forcella, per s.sterzo Hiddenset 1"

UT-HS120: Attrezzo mont. cono forcella, per s. sterzo Hiddenset 1-1/8"

UT-HS110: Tool for installing fork cone, for Ø 1" Hiddenset headset

UT-HS120: Tool for installing fork cone, for Ø 1-1/8" Hiddenset headset

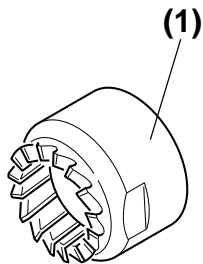
UT-HS110: Outil pour montage cône de fourche, pour jeux de directions
Hiddenset 1"

UT-HS120: Outil pour montage cône de fourche, pour jeux de directions
Hiddenset 1-1/8"

UT-HS110: Werkzeug zur Montage von Gabelkonus, für Ø 1" Hiddenset
Steuersatz

UT-HS120: Werkzeug zur Montage von Gabelkonus, für Ø 1-1/8" Hiddenset
Steuersatz

HEADSET



Fresa per attrezzo UT-HS030 Ø 1"

UT-HS031: standard

UT-HS032: con inserti in metallo duro

Cutter for tool UT-HS030 Ø 1"

UT-HS031: standard

UT-HS032: with hard metal inserts

Fraise pour outil UT-HS030 Ø 1"

UT-HS031: standard

UT-HS032: avec inserts métal dur

Ø 1" Fräser für UT-HS030 Werkzeug

UT-HS031: Standard

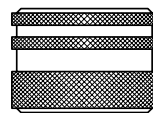
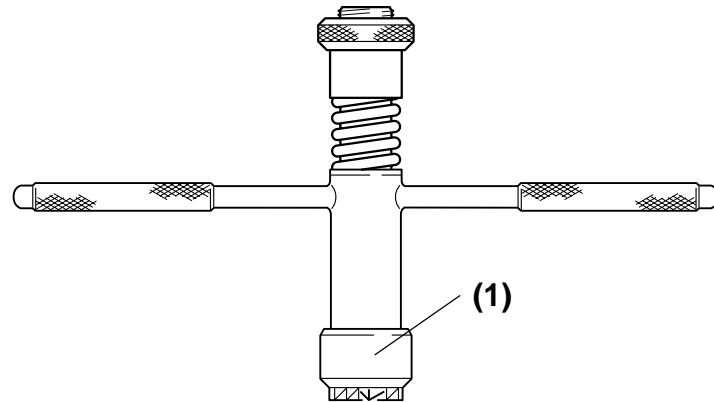
UT-HS032: mit aufgetragenen Hartmetallplättchen

UT-HS030: Attrezzo per fresatura sede cono forcella per serie sterzo 1" con fresa standard (1)

UT-HS030: Tool for milling fork bottom cone seat for 1" head sets with standard cutter (1)

UT-HS030: Outil pour le fraisage siège cône de fourche pour directions 1" avec fraise standard (1)

UT-HS030: Gabelkonus-Fräswerkzeug für 1" Steuersitz mit Standardfräser (1)



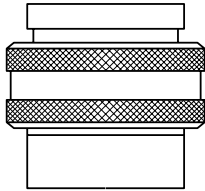
UT-HS080: Calibro controllo sede cono forcelle Ø 26,4 mm

UT-HS080: Gauge for checking fork cone seat 26,4 mm Ø

UT-HS080: Calibre de contrôle siège cône de fourche Ø 26,4 mm

UT-HS080: Kontrollehre für Gabelkonussitz Ø 26,4 mm

HEADSET



UT-HS070: Calibro controllo sedi coni e calotte sterzi 1"

UT-HS070: Gauge for checking cone and cup seats 1" head sets

UT-HS070: Calibre de contrôle sièges cônes et cuvettes jeux de directions 1"

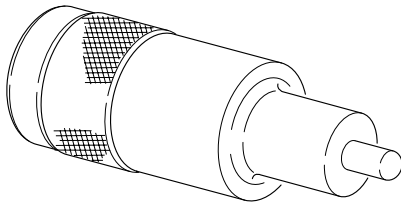
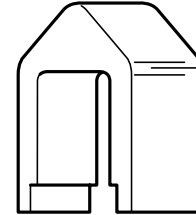
UT-HS070: Kontrolllehre für Gabelkonus und 1" Steuerschalensitz

UT-HS060: Estrattore cono forcella serie sterzo

UT-HS060: head set crown race remover

UT-HS060: Extracteur cône de fourche pour jeux de directions

UT-HS060: Abschläger für Gabelkonus für Steuersatz



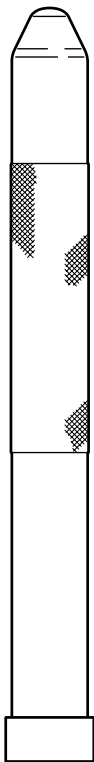
UT-HS100: Attrezzo montaggio serie sterzo Ø 1" per canotto non filettato

UT-HS100: Tool for installing Ø 1" headset for unthreaded steerers

UT-HS100: Outil pour montage jeu de direction Ø 1" pour tube de fourche non fileté

UT-HS100: Werkzeug zur Ø 1" Steuersatzmontage für gewindelosen Gabelschaft

HEADSET



UT-HS040: Punzone per montaggio cono forcella, per serie sterzo Ø 1"

UT-HS040: Punch for installing fork cone, for Ø 1" headset

UT-HS040: Outil pour montage cône de fourche, pour jeux de directions Ø 1"

UT-HS040: Aufschläger für Montage von Gabelkonus, für Ø 1" Steuersatz



UT-HS050: Estrattore calotta inferiore e cono superiore, per serie sterzo Ø 1"

UT-HS050: Extractor for lower head set cup and race, for Ø 1" headset

UT-HS050: Extracteur cuvette inférieure et cône supérieur, pour jeux de directions Ø 1"

UT-HS050: Austreiber für oberen Konus und untere Lagerschale, für Ø 1" Steuersatz

BOTTOM BRACKET

Attrezzo per filettatura scatola movimento centrale con 2 maschi

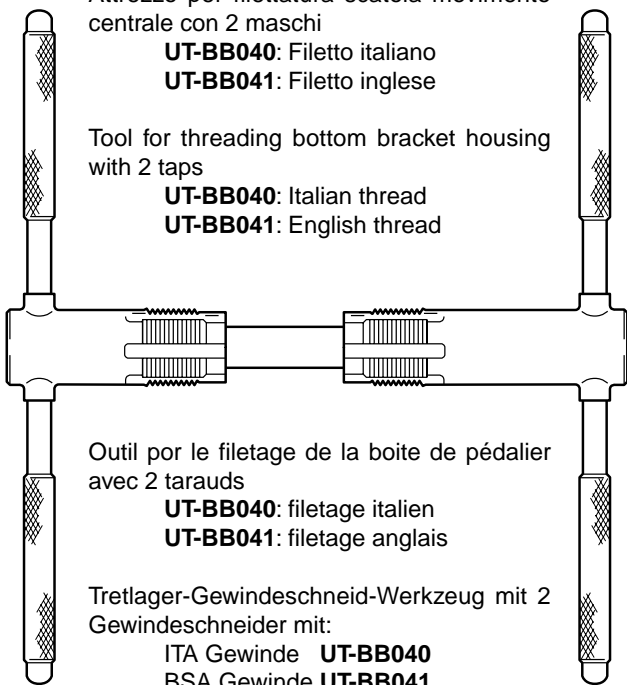
UT-BB040: Filetto italiano

UT-BB041: Filetto inglese

Tool for threading bottom bracket housing with 2 taps

UT-BB040: Italian thread

UT-BB041: English thread



Outil por le filetage de la boite de pédalier avec 2 tarauds

UT-BB040: filetage italien

UT-BB041: filetage anglais

Tretlager-Gewindeschneid-Werkzeug mit 2 Gewindeschneider mit:

ITA Gewinde **UT-BB040**

BSA Gewinde **UT-BB041**

UT-BB045: Maschio filetto italiano (1 pz.)

UT-BB046: Maschio filetto inglese destro (1 pz.)

UT-BB047: Maschio filetto inglese sinistro (1 pz.)

UT-BB045: Tap for Italian thread (1pc.)

UT-BB046: Tap for English thread right-hand (1pc.)

UT-BB047: Tap for English thread left-hand (1pc.)

UT-BB045: Taraud filetage italien (1 pc.)

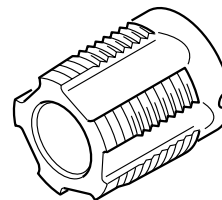
UT-BB046: Taraud filetage anglais droit (1 pc.)

UT-BB047: Taraud filetage anglais gauche (1 pc.)

UT-BB045: ITA Gewindeschneider (1 St.)

UT-BB046: BSA Gewindeschneider rechts (1 St.)

UT-BB047: BSA Gewindeschneider links (1 St.)



BOTTOM BRACKET

UT-BB052: 2 manicotti filettati di guida per attrezzo UT-BB050, italiano

UT-BB053: 2 manicotti filettati di guida per attrezzo UT-BB051, inglese

UT-BB052: Inner and outer thread guide for UT-BB050, IT thread

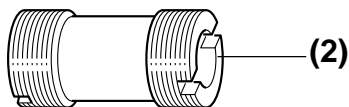
UT-BB053: Inner and outer thread guide for UT-BB051, BSC thread

UT-BB052: 2 manchons filetés de guide pour outils UT-BB050 fil. Italien

UT-BB053: 2 manchons filetés de guide pour outils UT-BB051 fil. anglais

UT-BB052: 2 Gewindemuffen zur Führung Werkzeuge UT-BB050, ITA

UT-BB053: 2 Gewindemuffen zur Führung Werkzeuge UT-BB051, BSA



Fresa per attrezzi UT-BB050 e UT-BB051

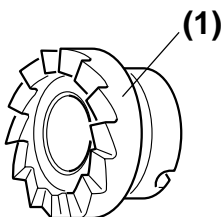
UT-BB054: Fresa standard

UT-BB055: Fresa con inserti metallo duro

Cutter for tools UT-BB050 and UT-BB051

UT-BB054: standard cutter

UT-BB055: cutter with hard metal inserts



Attrezzo fresatura piani scatola movimento centrale con fresa standard (1) e 2 manicotti filettati (2)

UT-BB050: Filetto italiano

UT-BB051: Filetto inglese

Bottom bracket facing set with standard cutter (1) and 2 - inner and outer - thread guide (2)

UT-BB050: Italian thread

UT-BB051: English thread

Outil fraisage faces boîte de pédalier avec fraise standard (1) et 2

manchons filetés de guide (2)

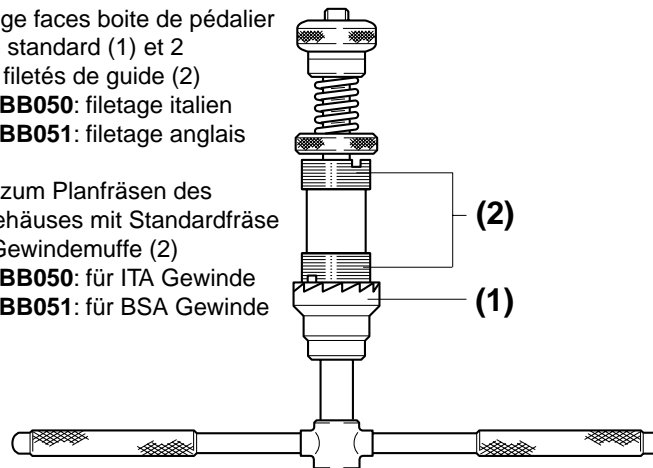
UT-BB050: filetage italien

UT-BB051: filetage anglais

Werkzeug zum Planfräsen des Tretlagergehäuses mit Standardfräse (1) und 2 Gewindemuffen (2)

UT-BB050: für ITA Gewinde

UT-BB051: für BSA Gewinde



Fraise pour outils UT-BB050 et UT-BB051

UT-BB054: fraise standard

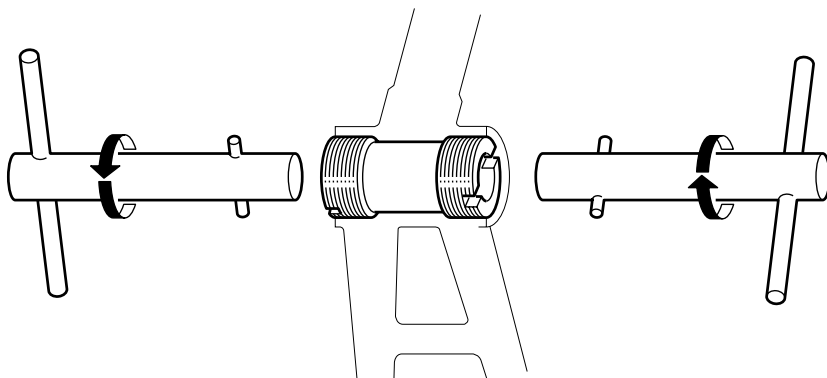
UT-BB055: fraise avec inserts en métal dur

Fräse für Werkzeuge UT-BB050 und UT-BB051

UT-BB054: standard Fräse

UT-BB055: Fräse mit aufgetragenen Hartmetallplättchen

BOTTOM BRACKET



UT-BB060: Chiave per montaggio manicotti
attrezzi UT-BB050/UT-BB051 (1 pz.)

UT-BB060: key for BB-thread guides UT-
BB050/UT-BB051 (1 pcs.)

UT-BB060: Clé pour montage guides pour
outils UT-BB050/UT-BB051 (1 pcs.)

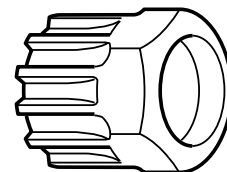
UT-BB060: Rohrschlüssel für Tretlager-
gewinde-Führungsteile UT-BB050/UT-BB051
(1 Stück)

UT-BB080: Chiave per montaggio movimenti centrali CART e ghiera di chiusura pacchi pignoni

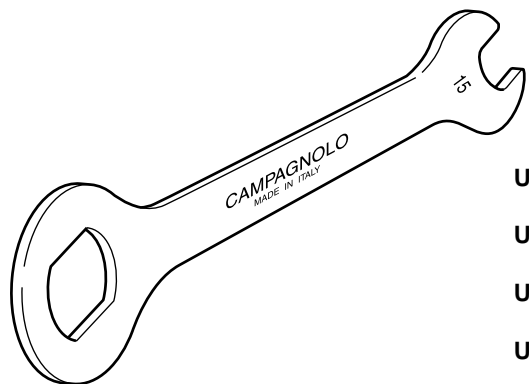
UT-BB080: Cartridge bottom bracket and sprocket cassette- lock ring remover

UT-BB080: Clé pour montage jeux de pédalier CART et roues-libres à cassette

UT-BB080: Schlüssel zur Montage von Patronen-Tretlager und Schließring für Freilaufzahnkranz



BOTTOM BRACKET



UT-BB030: Chiave per calotta destra movimenti centrali e per montaggio pedali

UT-BB030: Spanner for bottom bracket right-hand cup and installing pedals

UT-BB030: Clé pour cuvette droite jeu de pédalier et montage pédales

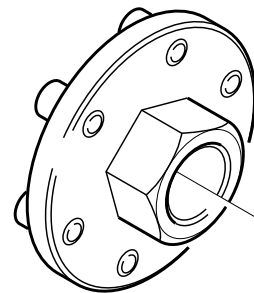
UT-BB030: Schlüssel für rechte Innenlagerschalen und Pedal-Montage

UT-BB100: Utensile per movimenti a cartuccia Daytona/Centaur, Veloce e Mirage

UT-BB100: Tool for Daytona/Centaur, Veloce and Mirage cartridge bottom bracket

UT-BB100: Clé pour jeux de pédalier à cartouche Daytona/Centaur, Veloce et Mirage

UT-BB100: Montageschlüssel für Daytona/Centaur, Veloce und Mirage Patronen-Tretlager



HEADSET

**BOTTOM
BRACKET**



UT-BB010: Chiave per serie sterzo Ø 1" e calotta sinistra movimento centrale Pista

UT-BB010: Spanner for Ø 1" head sets and Pista bottom bracket left hand cup

UT-BB010: Clé pour direction Ø 1" et cuvette réglable jeu de pédalier Pista

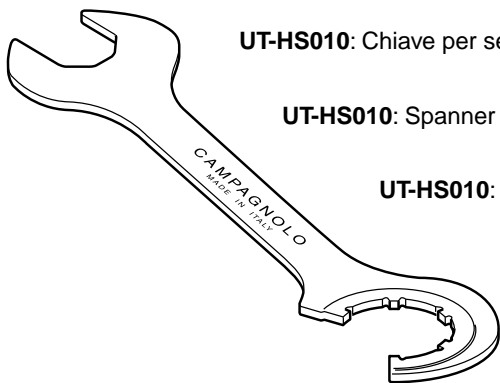
UT-BB010: Schlüssel für Ø 1" Steuersatz und Stiftschlüssel für Pista Tretlagerschale

UT-BB011: Punta per chiave UT-BB010

UT-BB011: Pin for UT-BB010

UT-BB011: Grain pour clé UT-BB010

UT-BB011: Stift für Schlüssel UT-BB010



UT-HS010: Chiave per serie sterzo Ø 1" e contranello movimento centrale Pista

UT-HS010: Spanner for Ø 1" head sets and Pista bottom bracket counter ring

UT-HS010: Clé pour direction Ø 1" et contre-écrou du jeu de pédalier Pista

UT-HS010: Schlüssel für Ø 1" Steuersatz und Pista Tretlager-Konterring

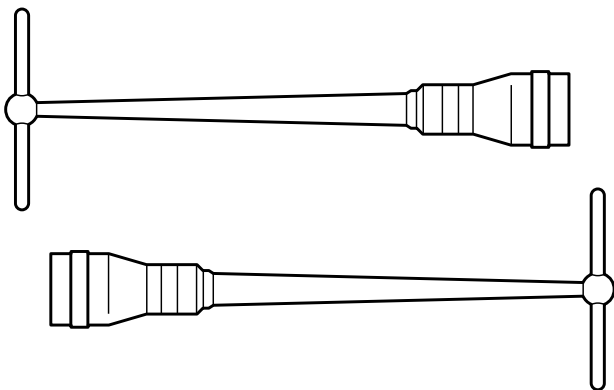
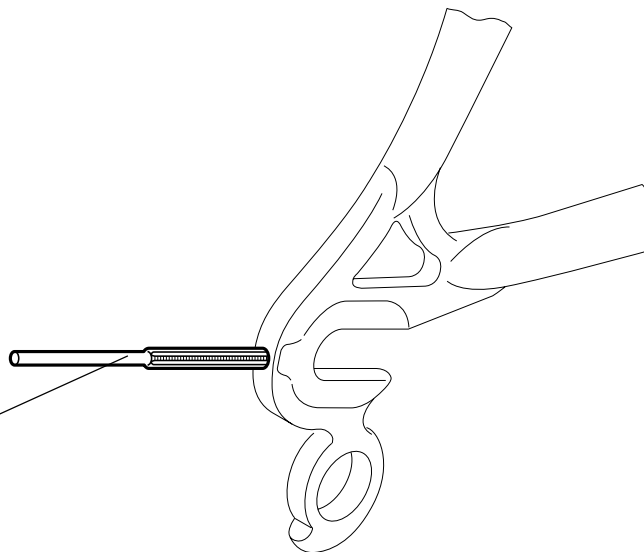
FRAME PREPARATION

UT-VS060: Maschio M3 x 0,5 per ripasso filetti forcellini per viti registrazione

UT-VS060: M3 x 0,5 tap for recutting rear drop-out threads for setting screws

UT-VS060: Taraud M3 x 0,5 pour repassage filetage pattes de cadre pour vis de réglage

UT-VS060: M3 x 0,5 Gewindebohrer zum Nachschneiden von Stellschraubengewinde im Ausfallende



UT-VS120: Calibro per controllo allineamento forcellini e punte forcelle (2 pz.)

UT-VS120: Drop-out alignment set (2 pcs.)

UT-VS120: Calibre pour contrôle alignement pattes de cadres et pattes de fourches (2 pcs.)

UT-VS120: Werkzeug zum Ausrichten von Gabel- und Ausfallenden (2 St.)

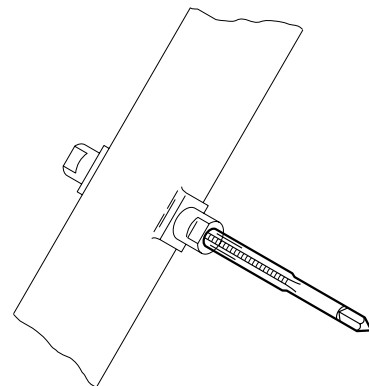
FRAME PREPARATION

UT-VS050: Maschio M5 x 0,8 per ripasso filetti attacchi quadri comandi e attacchi borracce

UT-VS050: M5 x 0,8 tap for recutting shifting lever- and bottle cage threads

UT-VS050: Taraud M5 x 0,8 pour repassage filetage plots de manettes et attaches bidons

UT-VS050: M5 x 0,8 Gewindebohrer zum Nachschneiden der Gewinde für Schalthebel und Trinkflaschenhalter

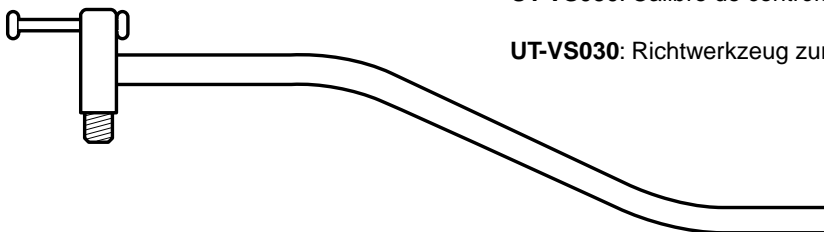


UT-VS030: Riscontro allineamento occhiello attacco cambio

UT-VS030: Rear derailleur hanger alignment tool

UT-VS030: Calibre de contrôle attache de dérailleur arrière

UT-VS030: Richtwerkzeug zur Kontrolle von Ausfallende mit Schaltauge



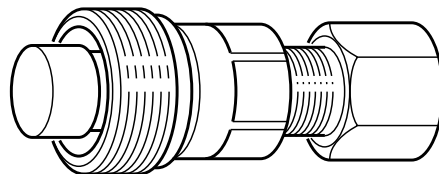
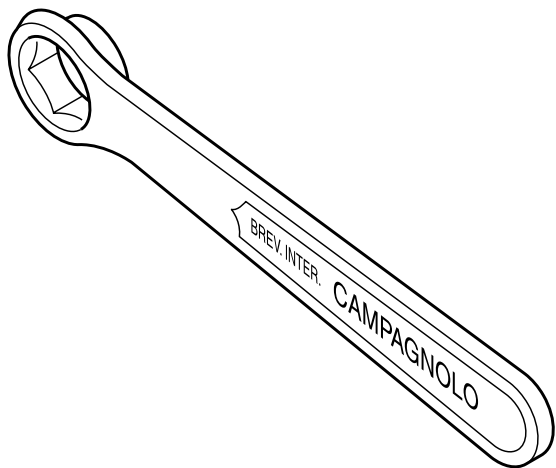
CRANKS/ CHAINRINGS

UT-FC050: Chiave con esagono da 15 mm per estrattore pedivelle

UT-FC050: 15 mm crank bolt spanner

UT-FC050: Clé avec hexagone de 15 mm pour extracteur manivelles

UT-FC050: 15 mm Schlüssel für Tretkurbelabzieher



UT-FC060: Estrattore pedivelle standard

UT-FC070: Estrattore pedivelle con filetto a sinistra

UT-FC060: Extractor for standard cranks

UT-FC070: Extractor for cranks with l.h. thread

UT-FC060: Extracteur manivelles standards

UT-FC070: Extracteur manivelles avec filetage à gauche

UT-FC060: Standard - Tretkurbelabzieher

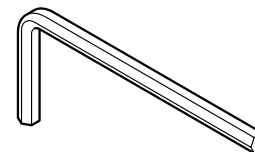
UT-FC070: Tretkurbelabzieher mit Linksgewinde

UT-FC030: Chiave a brugola da 5 mm

UT-FC030: 5 mm allen key

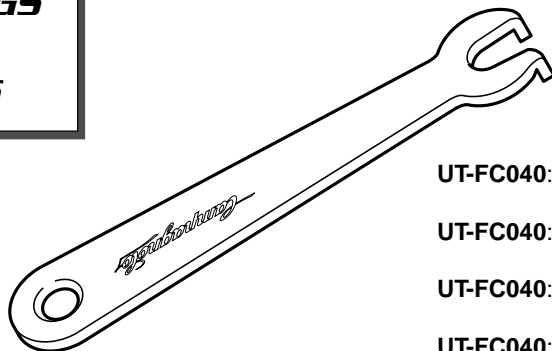
UT-FC030: Clé à pans creux de 5 mm

UT-FC030: 5 mm L-Schlüssel



**CRANKS/
CHAINRINGS**

BRAKES

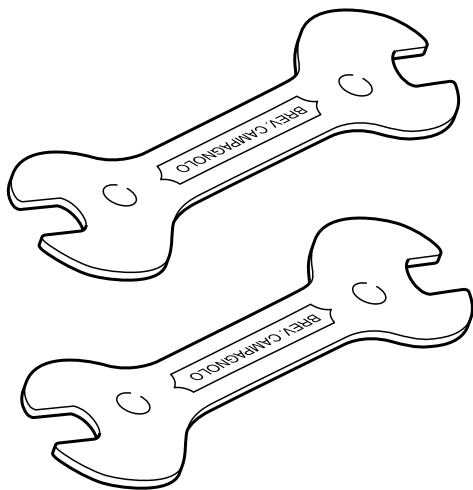


UT-FC040: Chiave per dadi fissaggio ingranaggi

UT-FC040: Spanner for chainring retaining nuts

UT-FC040: Clé pour écrous de fixation plateaux de pédaliers

UT-FC040: Schlüssel zur Befestigung von Kettenblatt-bolzen



UT-BR010: Coppia chiavi 13-14 per registrazione freni e coni mozzi

UT-BR010: Pair of 13-14 mm spanners for adjusting brakes and hub cones

UT-BR010: Paire clés 13-14 pour réglage freins et cônes de moyeux

UT-BR010: 13-14 mm Schlüssel (2 Stücke) zum Einstellen von Bremsen und Nabelkonen

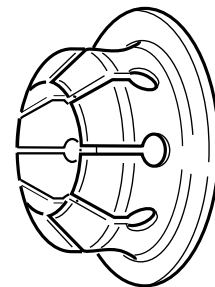
HUBS & WHEELS

UT-HU090: Attrezzo per montaggio cricchetti ruota libera su mozzi standard e HPW

UT-HU090: freewheel-pawl assembling tool (standard and HPW-hubs)

UT-HU090: Outil pour montage cliquets de roue-libre sur moyeux standard et HPW

UT-HU090: Werkzeug zur Montage der Kassettenkörper-Sperrklinken (Standard- und HPW-Nabe)

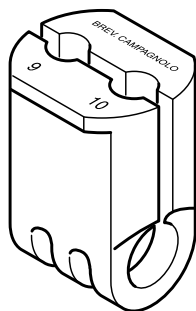


UT-HU020: Pinza per perni filettati mozzi

UT-HU020: Hub axle vise

UT-HU020: Pince pour axes filetés de moyeux

UT-HU020: Klemmvorrichtung für Naben-Achsgewinde

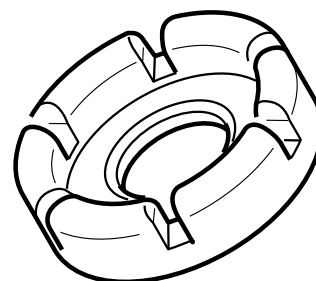


UT-HU050: Tiraraggi

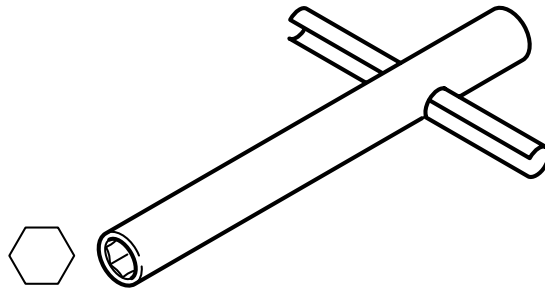
UT-HU050: Spoke wrench

UT-HU050: Clé à rayons

UT-HU050: Speichenschlüssel



HUBS & WHEELS

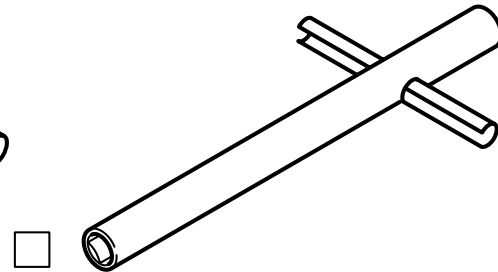


UT-HU070: Chiave per raggi ruote Shamal, Vento e Zonda (fino a gamma '98 - per gamma '99 e successive vedi pag. 107)

UT-HU070: Shamal, Vento and Zonda wheel truing tool (till '98 range - from '99 range see page 107)

UT-HU070: Clé à rayons pour roues Shamal, Vento et Zonda (jusqu'à la gamme '98 - pour la gamme '99 et suivantes v. page 107)

UT-HU070: Nippelspanner für Shamal, Vento und Zonda (bis '98 Produktlinie - ab '99 Produktlinie siehe S. 107)



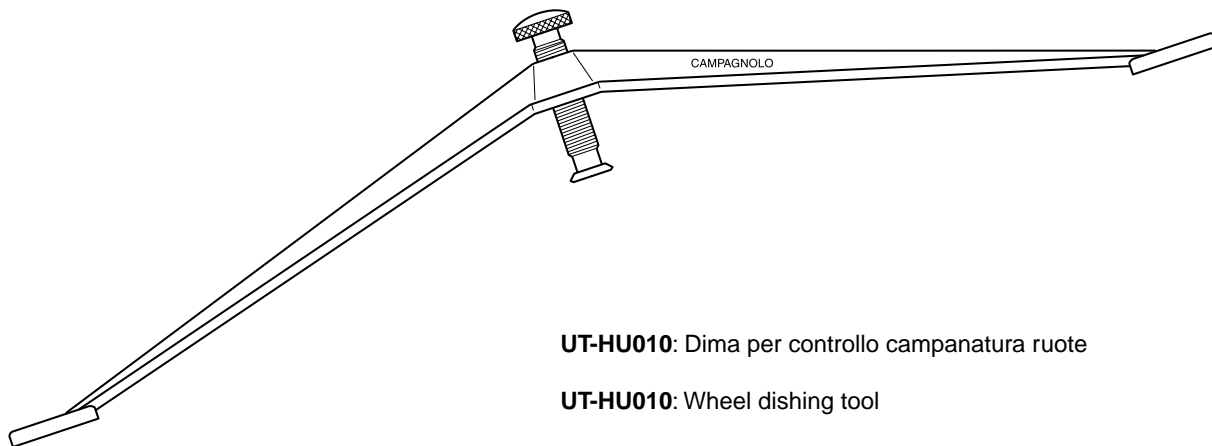
UT-HU060: Chiave per raggi ruote Bora

UT-HU060: Bora wheel truing tool

UT-HU060: Clé à rayons pour roues Bora

UT-HU060: Vierkant-Nippelspanner für Bora

HUBS & WHEELS



UT-HU010: Dima per controllo campanatura ruote

UT-HU010: Wheel dishing tool

UT-HU010: Gabarit pour le contrôle du parapluie des roues

UT-HU010: Zentrierbügel

SPROCKETS

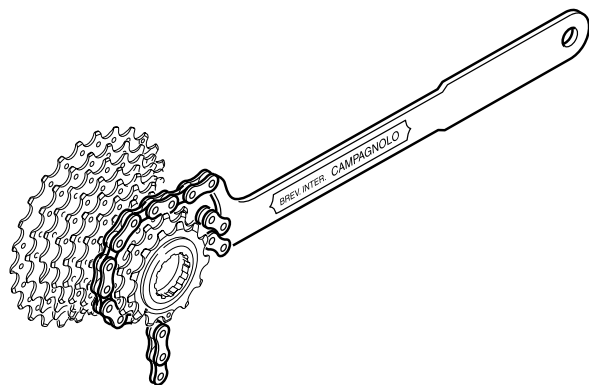
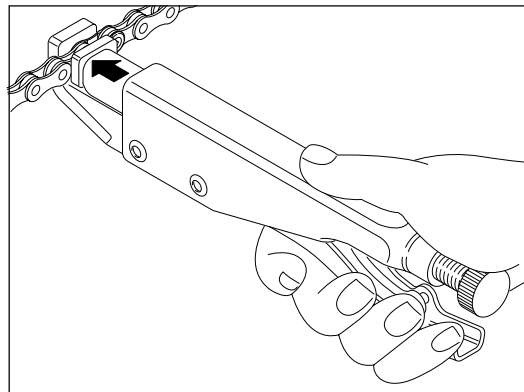
CHAIN

UT-CS050: Pinza chiusura catena UD 10s

UT-CS050: Pliers to close the 10s UD chain

UT-CS050: Pince pour fermer la chaîne UD 10s

UT-CS050: Gripzange für 10s UD Kette



UT-CS060: Chiave con catena 10s per smontaggio pignoni 10s, 9s e 8s

UT-CS060: Spanner with 10s chain for 10, 9 and 8s sprockets

UT-CS060: Fouet à chaîne 10s pour pignons 10s, 9s et 8s

UT-CS060: Zahnkranzabnehmer mit Rennkette 10s für 10-, 9- und 8s Ritzeln

Utensili raccomandati reperibili in commercio

Recommended tools, commercially available

- Cacciavite a croce PH 1 (Phillips)
- Chiave a manico di cacciavite con esagono da 5mm per ruote:
 - Nucleon ed Electron
 - Shamal e Vento (solo da gamma '99 - per gamme precedenti vedi pag. 104)
- Chiave a brugola da 2,5 mm per registrazione mozzi
- Chiave a brugola da 3 mm per blocchetti fermaguaine
- Chiave a brugola da 5 mm per freni, Ergopower, ecc.
- Chiave dinamometrica con chiave a brugola da 8 mm per montaggio viti pedivelle
- Chiave fissa da 17 mm per controdado mozzo posteriore
- Chiave a bussola da 24 mm per utensile fissaggio calotte mov. centrale Daytona/Centaur, Veloce, Mirage (UT-BB100 - pag. 97)
- Maschio M10 x 1 per ripasso occhiello attacco cambio su forcellini

-
- Phillips type screwdriver
 - 5 mm nut driver for wheels:
 - Nucleon and Electron
 - Shamal and Vento (only from '99 range - for previous versions see page 104)
 - 2.5 mm allen key, for hub lock nut
 - 3 mm allen key, for downtube adjusters
 - 5 mm for brakes, Ergopower levers, etc.
 - Torque wrench fitted with 8 mm allen key
 - 17 mm hexagonal wrench, for rear hub axle nut
 - 24 mm hexagonal wrench for Daytona/Centaur, Veloce, Mirage bottom bracket tool (UT-BB100 on page 97)
 - M10 x 1 tap for recutting rear derailleur hanger thread

ITALY - Central Service Center**CAMPAGNOLO SRL HEADQUARTERS**

Via della Chimica, 4 - 36100 VICENZA

Phone: +39-0-444-225605

Fax: +39-0-444-225400

E-mail: service@campagnolo.com

AUSTRALIA**BIKE SPORTZ IMPORTS**23C & 23D Industrial Drive,
Braeside Victoria 3195 NSW

Phone: +61-3-95872344

Fax: +61-3-95876951

CYCLING PROJECTS

Summer Hill NSW 2130

Phone: +61-2-97992407

Fax: +61-2-97058407

AUSTRIA**WEKU HANDELS GMBH**

Rebgarten, 6 - 6973 HÖCHST

Phone: +43-5578-74911

Fax: +43-5578-74912

BENELUX**CARD BENELUX BV**

Vaartveld 19 - 4704 SE ROOSENDAAL

Netherlands

Phone: +31-165-564241

Fax: +31-165-563248

BENELUX (continued)**FA. WOUT VERHOEVEN**

Rodenrijseweg 409 -

2651 AM BERKEL EN RODENRIJS

Netherlands

Phone: +31-10-5115014

Fax: +31-10-5117708

I.C.C.**INTERNATIONAL CYCLE CONNECTION**

Weststraat 42

P.O. Box 73 - 4527 ZH AARDENBURG

Netherlands

Phone: +31-117-492820

Fax: +31-117-492835

CANADA**CYCLES MARINONI INC**

1067, Levis - LACHENAIE - QUEBEC J6W 4L2

Phone: +1-450-4717133

Fax: +1-450-4719887

GREAT WESTERN BICYCLE CO. LTD.

233 West Broadway

VANCOUVER BC V5Y 1P5

Phone: +1-604-8722424

Fax: +1-604-87202226

CZECH REPUBLIC**KOLA SIRER**

P.O. Box 107 - 26601 BEROUN 1

Phone: 00420 311 621355

Fax: 00420 311 625492

DENMARK**AAGE KROLL A/S**

Jydekroggen 18 - 2625 VALLENSBAEK

Phone: +45-43-660066

Fax: +45-43-660099

MARKER SCANDINAVIA

Assendlosevej 29 - DK 4130 VIBY

Phone: +45-40210140

Fax: +45-46-498088

FINLAND**VELOSPORT KY**

Kimmontie 5 - 00610 HELSINKI P

Phone: +358-9-7571377

Fax: +358-9-795498

FRANCE**CAMPAGNOLO FRANCE**

3, Rue du 8 Mai - B.P. 148

42160 ANDREZIEUX - BOUTHEON CEDEX

Phone: +33-477-556305

Fax: +33-477-556345

GERMANY**CAMPAGNOLO DEUTSCHLAND GMBH**

An der Schusterinsel, 15

51379 LEVERKUSEN

Phone: +49-2171-72430

Fax: +49-2171-724315

GREECE

CYCLES FIDUSA

Th. Sofuli 97 - 85100 RHODOS
Phone: +30-241-21264
Fax: +30-241-21519

JAPAN

KAWASHIMA CYCLE SUPPLY CO.

N. 4-2-4, Kushiya-cho Higashi, Sakai
OSAKA, 590-0944
Phone: +81-722-38-6126
Fax: +81-722-21-4379

NICHINAO SHOKAI CO., LTD

6-16-8, Sotokanda, Chiyodaku - TOKYO 101
Phone: +81-3-38326251
Fax: +81-3-38326266

NEW ZEALAND

WH WORRALL CO. LTD.

43 Felix St./Penrose - P.O. Box 12481
AUCKLAND
Phone: +64-9-6360641
Fax: +64-9-6360631

SPAIN

CAMPAGNOLO IBERICA S.L.

Avda. de Los Huetos 46 Pab. 31 - 01010
VITORIA
Phone: +34-945-217195
Fax: +34-945-217198

SWEDEN

RACERDEPAN

Drottninggatan, 1 - 447 35 VARGARDA
Phone: +46-322-20590
Fax: +46-322-24206

SWITZERLAND

PIERO ZURINO AG

Flawilerstrasse 3a
9500 WIL SG
Phone: +41-71-9236001
Fax: +41-71-9236353

U.G.D. SPORT DIFFUSION S.A.

La Taille - 2053 CERNIER
Phone: +41-32-8536363
Fax: +41-32-8536464

UNITED KINGDOM

SELECT CYCLE COMPONENTS

Unit 3, Napoleon Business Park
Wheterby Road - DERBY - DE24 8HL
Phone: +44-1332-371176
Fax: +44-1332-371179

UNITED STATES

CAMPAGNOLO USA INC.

2105-L Camino Vida Roble
CARLSBAD - CA 92009
Phone: +1-760-9310106
Fax: +1-760-9310991

UNITED STATES (continued)

OCHSNER INT. INC

246 E. Marquardt Drive - WHEELING
Il. 60090-6430
Phone: +1-847-4658200
Fax: +1-847-4658282

PERFORMANCE CYCLE PRODUCTS

22 South 6th Avenue
Mount Vernon, NY 10550
Phone: +1-914-6991668
Fax: +1-914-6991875

QUALITY BICYCLES PRODUCTS

6400 W. 105th Street - BLOOMINGTON,
MN 55438-2554
Phone: +1-612-9419391
Fax: +1-612-9419799

