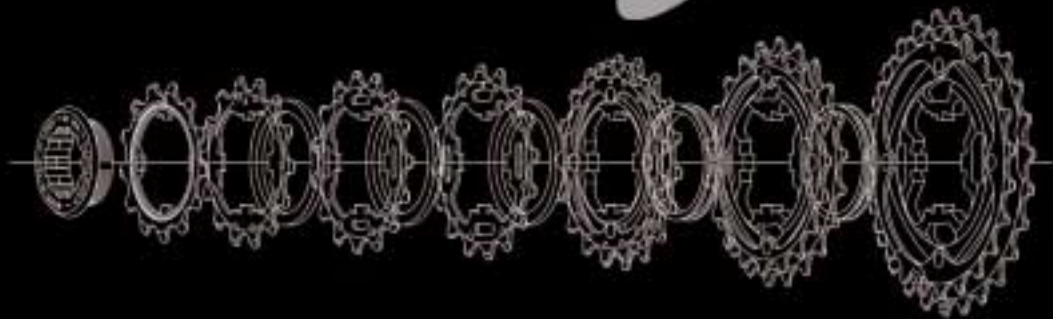


Campagnolo



2000 Spare Parts and Tools Catalogue

Campagnolo

VISITA IL NOSTRO SITO ALL'INDIRIZZO

www.campagnolo.com

E CONSULTA LA PAGINA "PRODOTTI & TECNOLOGIA"; POTRAI TROVARE MOLTISSIME INFORMAZIONI UTILI DA POTER CONSULTARE E PRELEVARE, TRA LE QUALI:

- I CATALOGHI RICAMBI PER LE GAMME 1996 / 2000
- I MANUALI RUOTE PER LE GAMME 1996 / 2000

...E UNA PANORAMICA COMPLETA DEI PRODOTTI DELLA GAMMA IN CORSO.

CAMPAGNOLO WEBSITE:
TECNOLOGIA ED INFORMAZIONE!

P.S. LA DOCUMENTAZIONE TECNICA È DISPONIBILE IN FORMATO ".PDF" E PUÒ ESSERE LETTA CON L'APPLICAZIONE "ACROBAT READER 3.0" (PRELEVABILE DAL NOSTRO SITO).

VISIT OUR WEB SITE AT

www.campagnolo.com

AND BROWSE THE "PRODUCTS & TECHNOLOGY" PAGES; YOU WILL FIND A VAST ARRAY OF USEFUL INFORMATION (THAT CAN ALSO BE DOWNLOADED) INCLUDING:

- SPARE PARTS CATALOGUES FOR 1996/2000 PRODUCT RANGES
 - WHEEL MANUALS FOR 1996/2000 PRODUCT RANGES
- ...AND THE DETAILED PRESENTATION OF THE COMPLETE 2000 PRODUCT RANGE.

CAMPAGNOLO WEBSITE:
TECHNOLOGY AND INFORMATION!

P.S. THE TECHNICAL DOCUMENTATION IS IN ".PDF" FORMAT AND CAN BE BROWSED USING THE "ACROBAT READER 3.0" APPLICATION (ALSO DOWNLOADABLE FROM OUR SITE).

VISITEZ NOTRE SITE A L'ADRESSE SUIVANTE

www.campagnolo.com

ET CONSULTEZ LA PAGE "PRODOTTI & TECNOLOGIA"; VOUS POURREZ TROUVER DE NOMBREUSES INFORMATIONS UTILES QUE VOUS POURREZ CONSULTER ET PRÉLEVER, PARMIS LESQUELLES :

- LES CATALOGUES DE PIÈCES DÉTACHÉES 1996 / 2000
- LES MANUELS DES ROUES 1996 / 2000

...ET UN PANORAMIQUE COMPLET DES PRODUITS DE LA GAMME EN COURS.

CAMPAGNOLO WEBSITE:
TECNOLOGIE ET INFORMATIONS!

PS : LA DOCUMENTATION TECHNIQUE EST DISPONIBLE EN FORMAT ".PDF" ET ELLE PEUT ÊTRE LUE AVEC "ACROBAT READER 3.0" (QUI PEUT ÊTRE PRÉLEVÉ DE NOTRE SITE)

BESUCHEN SIE UNSERE HOMEPAGE
UNTER DER ADRESSE

www.campagnolo.com

UND BLÄTTERN SIE IN UNSEREN SEITEN "PRODUCTS & TECHNOLOGY". SIE FINDEN VIELE AUFKLÄRENDE INFORMATIONEN ZUM NACHSCHLAGEN UND AUSDRUCKEN. UNTER ANDEREM:

- ERSATZTEILKATALOGE 1996 / 2000
- HANDBÜCHER FÜR LAUFRÄDER 1996 / 2000

CAMPAGNOLO WEBSITE:
TECNOLOGIE UND INFORMATION!

P.S. DIE TECHNISCHEN UNTERLAGEN SIND IM ".PDF" FORMAT ERHÄLTICH UND KÖNNEN ÜBER DAS ANWENDUNGSPROGRAMM "ACROBAT READER 3.0" (ÜBER UNSERE WEBSITE ZU ÖFFNEN) HERUNTERGELADEN WERDEN.

VISITA NUESTRA WEB EN LA DIRECCION

www.campagnolo.com

Y CONSULTA LA PÁGINA "PRODOTTI & TECNOLOGIA"; PODRÁS ENCONTRAR MUCHÍSIMA INFORMACIÓN ÚTIL PARA CONSULTAR Y UTILIZAR, COMO:

- LOS CATÁLOGOS DE RECAMBIOS 1996 / 2000
- LOS MANUALES DE RUEDAS 1996 / 2000

... Y UNA PANORÁMICA COMPLETA DE LOS PRODUCTOS DE LA GAMA ACTUAL.

CAMPAGNOLO WEBSITE:
TECNOLOGÍA E INFORMACIÓN!

P.S. LA DOCUMENTACIÓN TÉCNICA LA ENCONTRARÁS DISPONIBLE EN FORMATO ".PDF" QUE SE PUEDE LEER CON LA APLICACIÓN "ACROBAT READER 3.0" (QUE PODRÁS DESCARGAR DESDE NUESTRA PROPIA WEB).

BEZOEK ONZE WEBSITE

www.campagnolo.com

EN SURF NAAR "PRODUCTS AND TECHNOLOGY"; U VINDT DAAR ALLE BENODIGDE INFORMATIE (DIE U OOK KUNT DOWNLOADEN), INCLUSIEF:

- ONDERDELENCATALOGUSSEN 1996 / 2000
- HANDLEIDINGEN VAN HET WIELENPROGRAMMA 1996 / 2000

.... EN EEN GEDETAILLEERDE PRESENTATIE VAN HET COMPLETE 2000 PROGRAMMA.

CAMPAGNOLO WEBSITE:
TECHNOLOGY AND INFORMATION!

P.S. DE TECHNISCHE DOCUMENTATIE IS OPGEMAAKT IN ".PDF" FORMAAT EN KAN BEKEKEN WORDEN DOOR GEBRUIK TE MAKEN VAN DE "ACROBAT READER 3.0" APPLICATIE (OOK TE DOWNLOADEN VAN ONZE SITE).

SERIE STERZO ◆ HEADSET ◆ STEUERSATZ ◆ JEU DE DIRECTION

Record.....	1
Record Threadless 1" - 1 1/8".....	1
Chorus.....	2
Chorus Threadless.....	2

REGGISELLA ◆ SEAT POST ◆ SATTELSTÜTZE ◆ TIGE DE SELLE

Record Titanium - Record Carbon.....	3
Chorus.....	3

MOVIMENTO CENTRALE ◆ BOTTOM BRACKET ◆ TRETLAGER ◆ JEU DE PEDALIER

Record.....	4
Chorus.....	4
AC-H.....	5
AC-S.....	5
Record Pista.....	6

GUARNITURA ◆ CRANKSET ◆ KURBELSATZ ◆ JEU DE MANIVELLES

Record 9 Speed / 10 Speed	7
Record Pista.....	8
Chorus 9 Speed / 10 Speed	9
Daytona.....	10
Racing Triple.....	11
Veloce.....	12
Veloce Triple.....	13
Chrono/Triathlon 9 Speed / 10 Speed	14

CAMBIO ◆ REAR DERAILLEUR ◆ SCHALTWERK ◆ DERAILLEUR ARRIERE

Record 9 Speed	15
-----------------------------	----

Chorus 9 Speed	15
Record 10 Speed	16
Chorus 10 Speed	17
Racing Triple 9 Speed	18
Daytona 9 Speed - Daytona Triple 9 Speed	19
Veloce 9 Speed - Veloce Triple 9 Speed	20
Mirage 9 Speed - Mirage Triple 9 Speed	21

DERAGLIATORE ♦ FRONT DERAILLEUR ♦ KETTENWERFER ♦ DERAILLEUR AVANT

Record 9 Speed / 10 Speed	22
Chorus 9 Speed / 10 Speed	23
Racing Triple.....	24
Daytona - Daytona Triple.....	25
Mirage - Mirage Triple.....	26

ERGOPOWER ♦ ERGOPOWER ♦ ERGOPOWER ♦ ERGOPOWER

Record 9 Speed / 10 Speed	27
Chorus 9 Speed / 10 Speed	28
Daytona 9 Speed	29
Veloce 9 Speed	30
Mirage 9 Speed	31

FRENI ♦ BRAKES ♦ BREMSEN ♦ FREINS

Record.....	32
Chorus.....	33
Daytona.....	34
Veloce.....	35

COMANDI C/D ♦ SHIFTING LEVERS ♦ RAHMENSCHALTER ♦ POIGNEES DE DERAILLEURS

Record 9 Speed	36
Bar-End Chrono/Triathlon 9 Speed / 10 Speed	37

COMANDI FRENO ♦ BRAKE LEVERS ♦ BREMSHEBEL ♦ POIGNEES DE FREINS

Record.....	38
-------------	----

BLOCCAGGI ♦ QUICK RELEASE SKEWERS ♦ SCHNELLSPANNER ♦ BLOCAGES

Record - Bora - Shamal - Vento - Nucleon - Electron.....	39
Chorus.....	40
Daytona - Veloce - Mirage.....	41

MOZZI ♦ HUBS ♦ NABEN ♦ MOYEUX

Record 9 / 10 Speed	42
Chorus 9 / 10 Speed	44
Daytona 9 Speed	46
Veloce 9 Speed	48
Mirage 9 Speed	48
Record Pista.....	49

GHIERE ♦ LOCKRINGS ♦ VERSCHLUSSRING ♦ ECROUS

All range.....	51
----------------	----

PIGNONI ♦ SPROCKETS ♦ RITZEL ♦ CASSETTES

Record 9 Speed	52
Record 10 Speed	53
Record Titanium 9 Speed	54
Record Titanium 10 Speed	55
Chorus 9 Speed	56
Chorus 10 Speed	57
ED-C 9 Speed	58
Various.....	59

PEDALI ♦ PEDALS ♦ PEDALE ♦ PEDALES

Record PRO-FIT	60
Chorus PRO-FIT	60

Daytona PRO-FIT	60
PRO-FIT spare parts	61

CAVI E GUAINA ♦ CABLES AND CASINGS ♦ KABELN UND HÜLLEN ♦ CABLES ET GAINES

Complete sets.....	63
Spare parts.....	64

ERGOBRAIN♦ ERGOBRAIN♦ ERGOBRAIN♦ ERGOBRAIN

Spare parts.....	65
------------------	----

VARI ♦ VARIOUS ♦ VERSCHIEDENES ♦ DIVERSES

Cable guide plates / Ergopower blocks / 8 Speed adapter kit for 9/10 Speed / Perma-Link.....	67
--	----

RUOTE ♦ WHEELS ♦ LAUFRÄDER ♦ ROUES

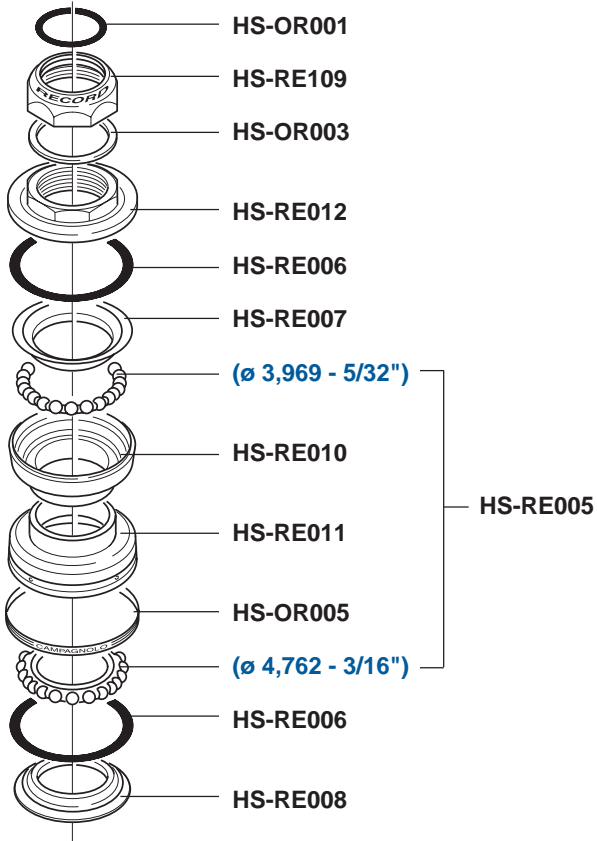
Bora 9 / 10 Speed	68
Shamal 9 / 10 Speed	69
Vento 9 / 10 Speed	70
Nucleon 9 / 10 Speed	71
Electron 9 / 10 Speed	72
Shamal Pista.....	75

UTENSILI ♦ TOOLS♦ WERKZEUG♦ OUTILS

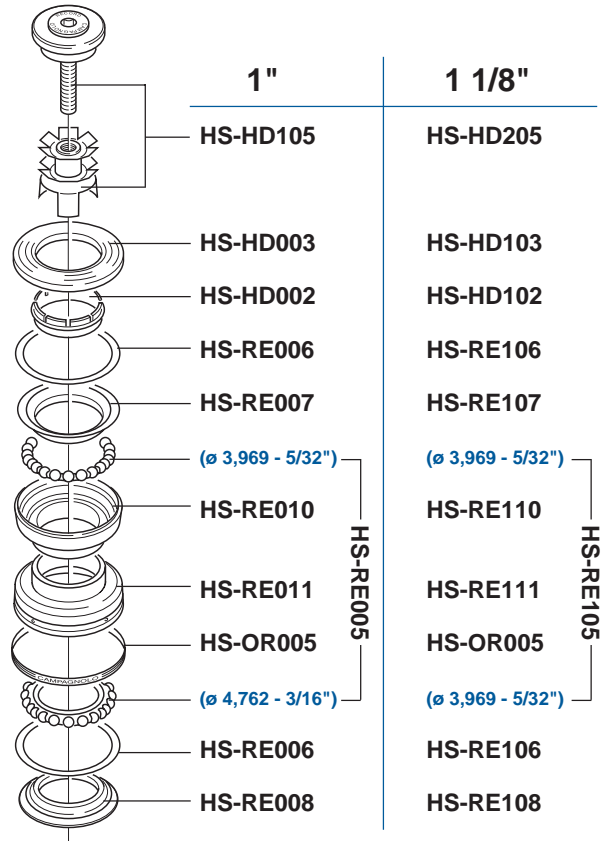
Headset.....	86
Bottom bracket.....	91
Frame preparation.....	96
Cranks / chainrings.....	99
Hubs & wheels.....	101
Sprockets / chains.....	104
Recommended tools.....	105

Glossary.....	106
Spare Parts Centers.....	107

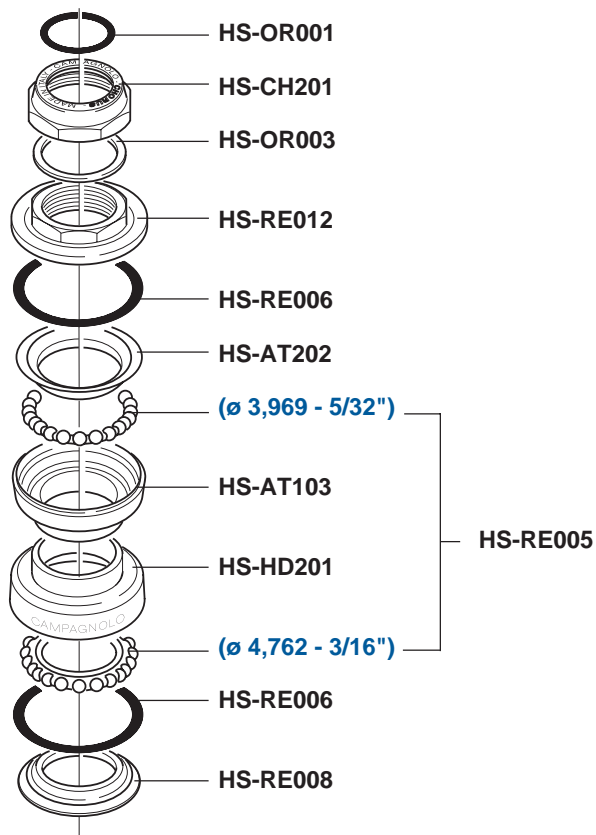
**RECORD
HS00-RE**



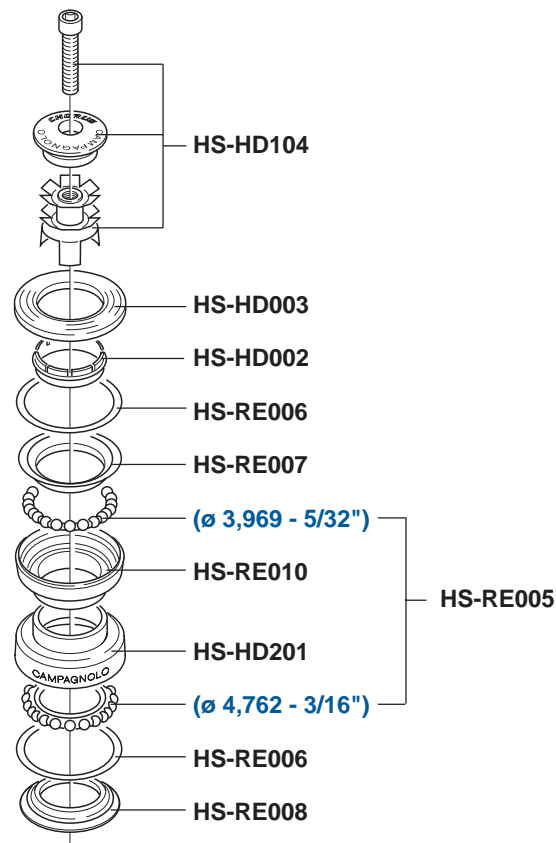
RECORD THREADLESS
1": HS00-RETH
1 1/8": HS00-RETHOS



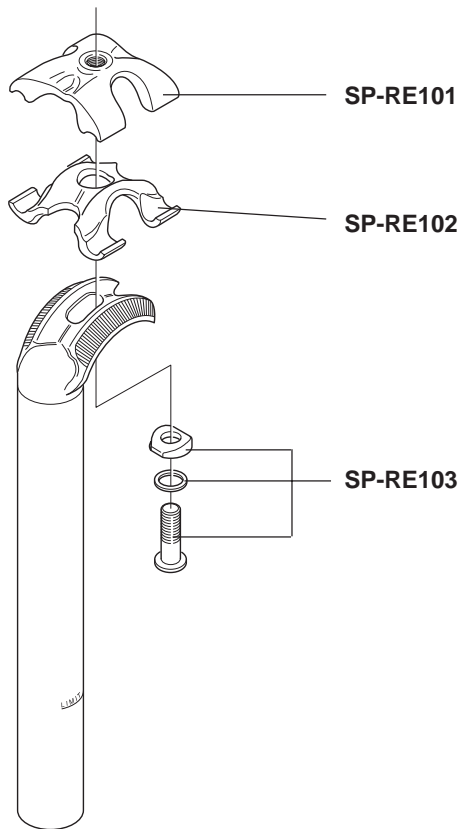
CHORUS HS00-CH



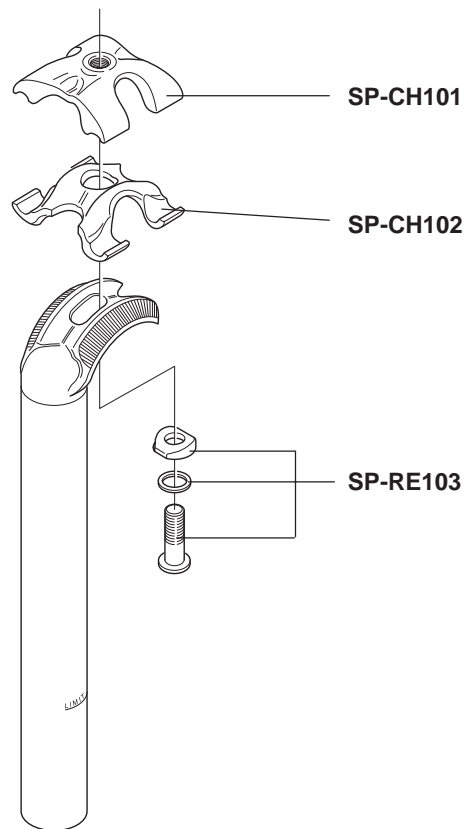
CHORUS THREADLESS HS00-CHTH



RECORD
TITANIUM / CARBON
SP99-RE272T / SP00-RE272C



CHORUS
SP00-CH272

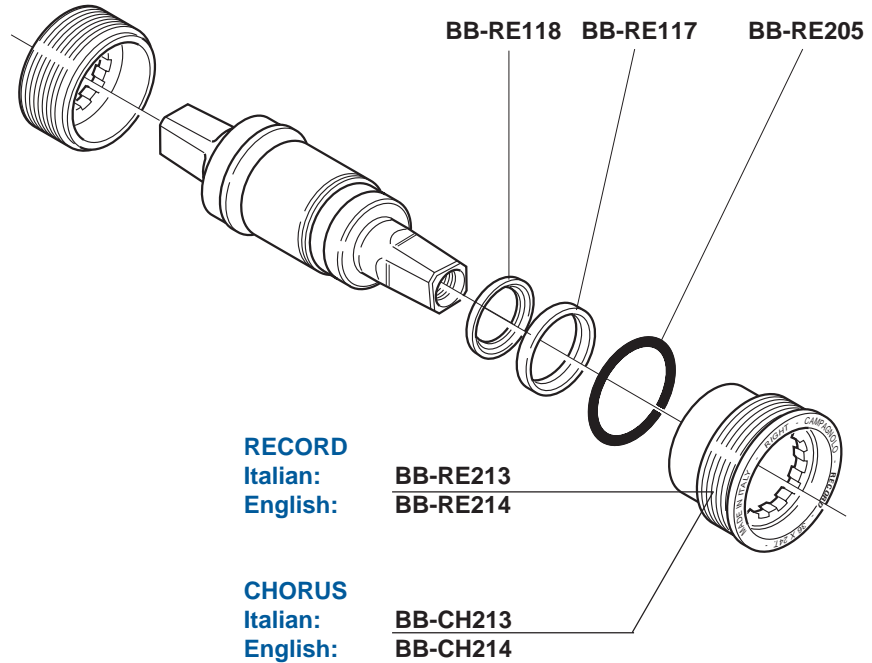


RECORD

BB99-RE02IT
BB99-RE02BC

CHORUS

BB99-CH02IT
BB99-CH02BC



AC-H

111mm

**BB00-AH11IT
BB00-AH11BC**

115,5 mm

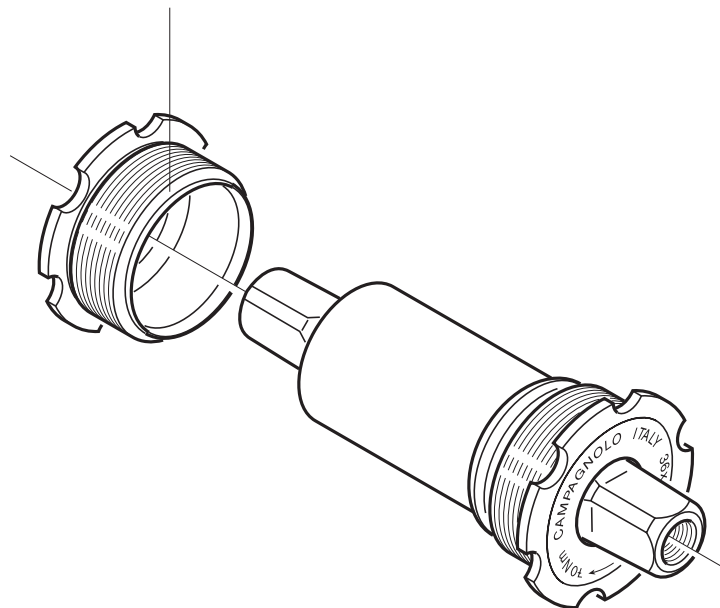
**BB00-AH15IT
BB00-AH15BC**

AC-S

111mm

**BB00-AS11IT
BB00-AS11BC**

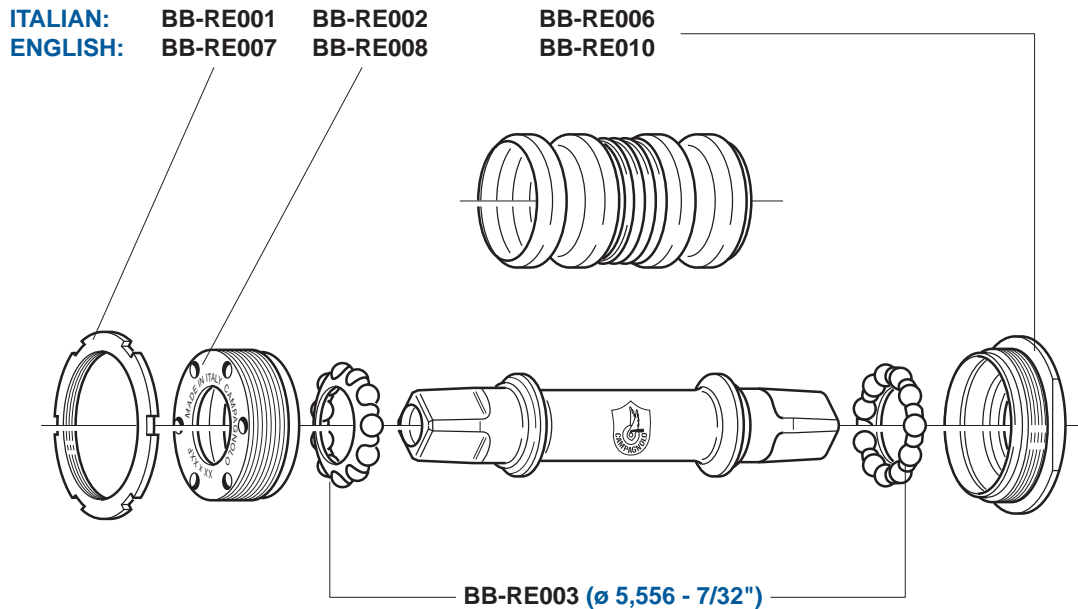
ITALIAN: BB-AH001
ENGLISH: BB-AH003



RECORD PISTA

BB99-REPIIT

BB99-REPIBC



RECORD 9 / 10 SPEED

9 SPEED

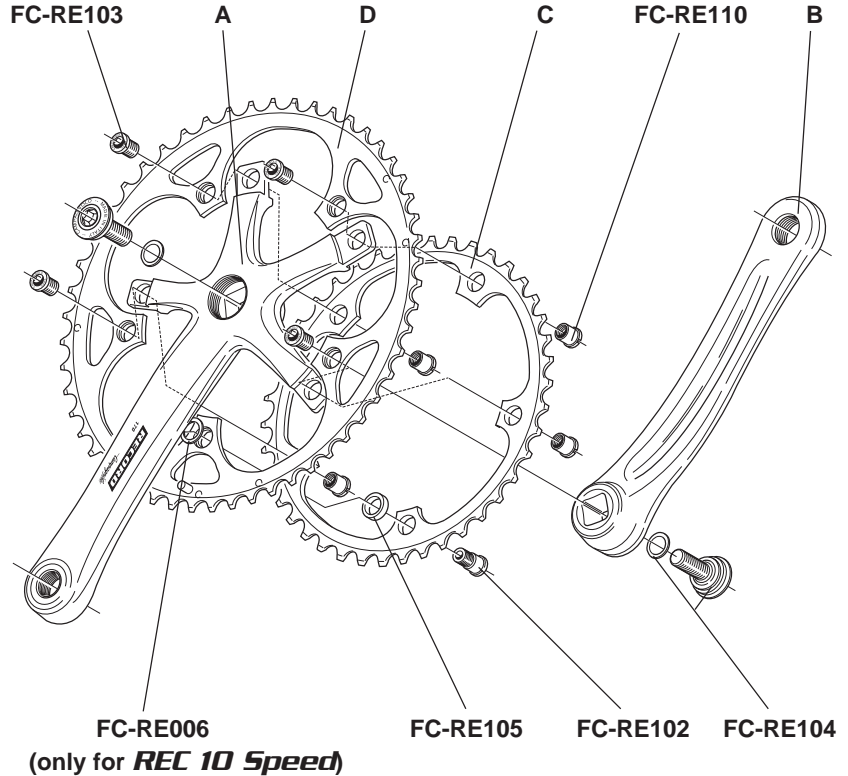
10 SPEED

A	L170	FC-RE760
	L172,5	FC-RE762
	L175	FC-RE764

B	L170	FC-RE761
	L172,5	FC-RE763
	L175	FC-RE765

C	Z39	FC-RE039	
	Z42	FC-RE042	FC-RE142

D	Z52 for 39	FC-RE152	FC-RE252
	Z52 for 42	FC-RE352	FC-RE452
	Z53 for 39	FC-RE153	FC-RE253

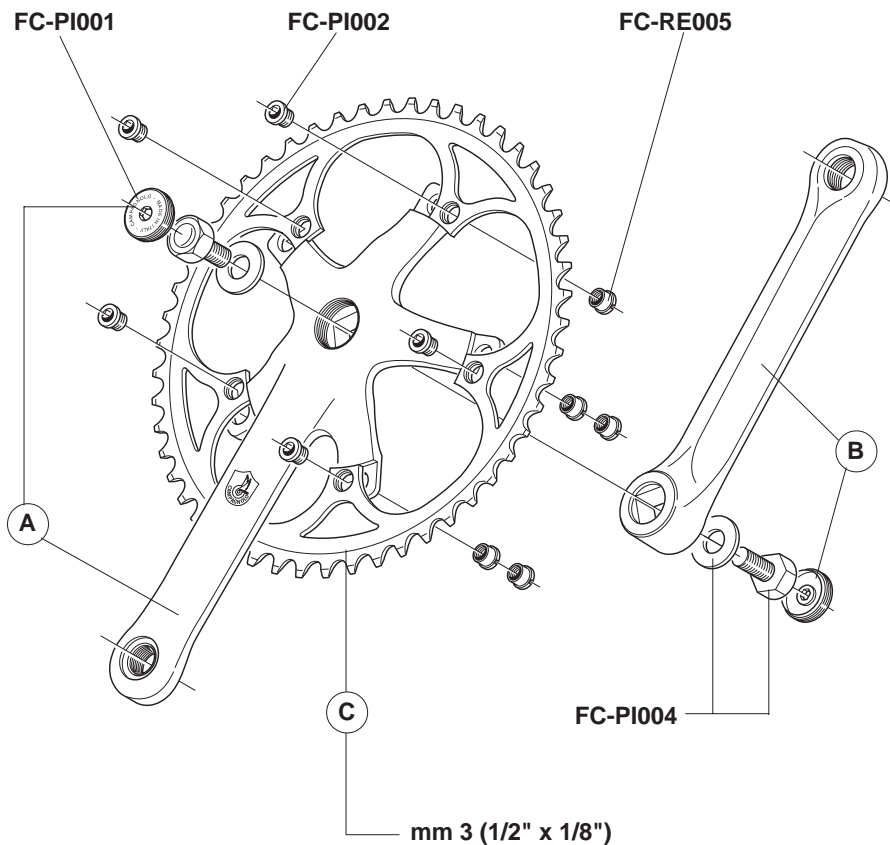


RECORD PISTA

A	L165	FC-PI265
	L170	FC-PI270

B	L165	FC-PI165
	L170	FC-PI170

C	Z47	FC-PI047
	Z48	FC-PI048
	Z49	FC-PI049
	Z50	FC-PI050
	Z51	FC-PI051
	Z52	FC-PI052



CHORUS 9 / 10 SPEED

9 SPEED

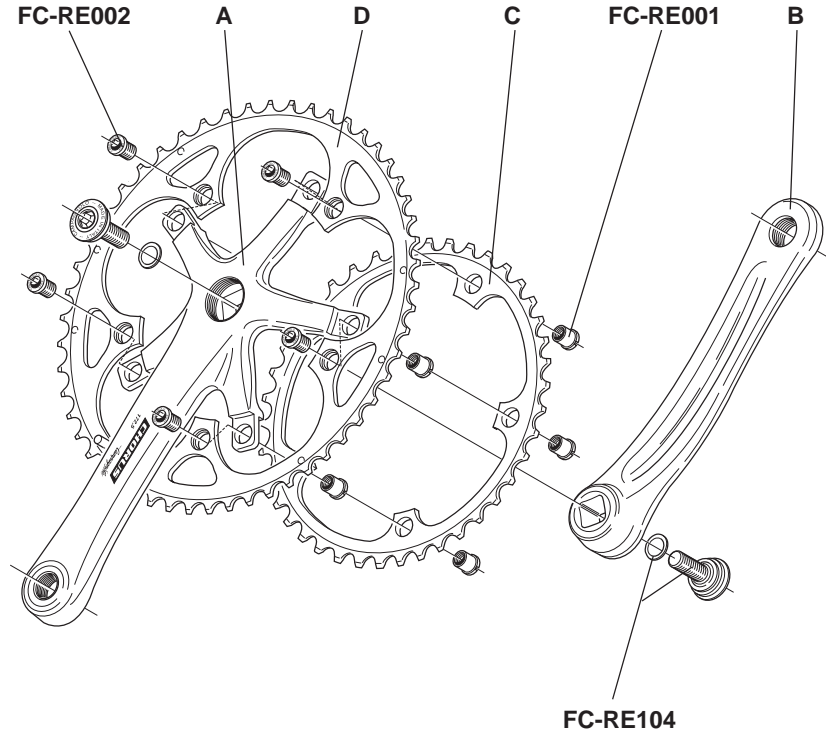
10 SPEED

A	L170	FC-CH770
	L172,5	FC-CH772
	L175	FC-CH774

B	L170	FC-CH771
	L172,5	FC-CH773
	L175	FC-CH775

C	Z39	FC-RE039	
	Z42	FC-RE042	FC-RE142

D	Z52 for 39	FC-CH152	FC-CH252
	Z52 for 42	FC-CH352	FC-CH452
	Z53 for 39	FC-CH153	FC-CH253



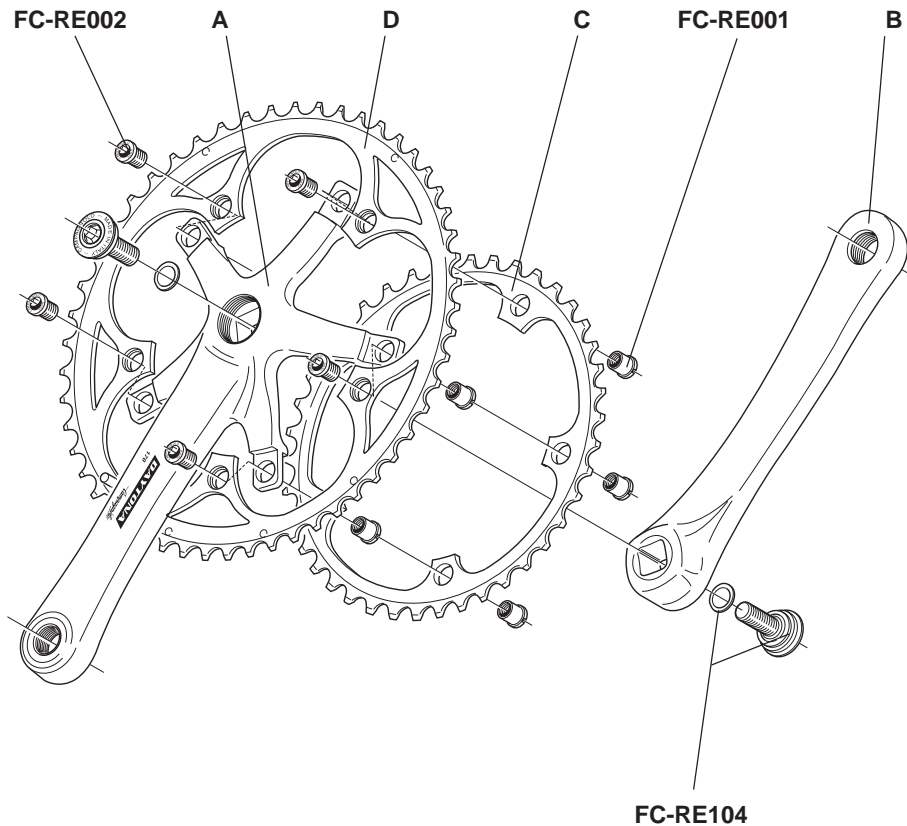
DAYTONA

A	L170	FC-DA716
	L172,5	FC-DA718
	L175	FC-DA720

B	L170	FC-DA717
	L172,5	FC-DA719
	L175	FC-DA721

C	Z39	FC-RE039
	Z42	FC-RE042

D	Z52 for 39	FC-AT152
	Z52 for 42	FC-AT352
	Z53 for 39	FC-AT153



RACING TRIPLE

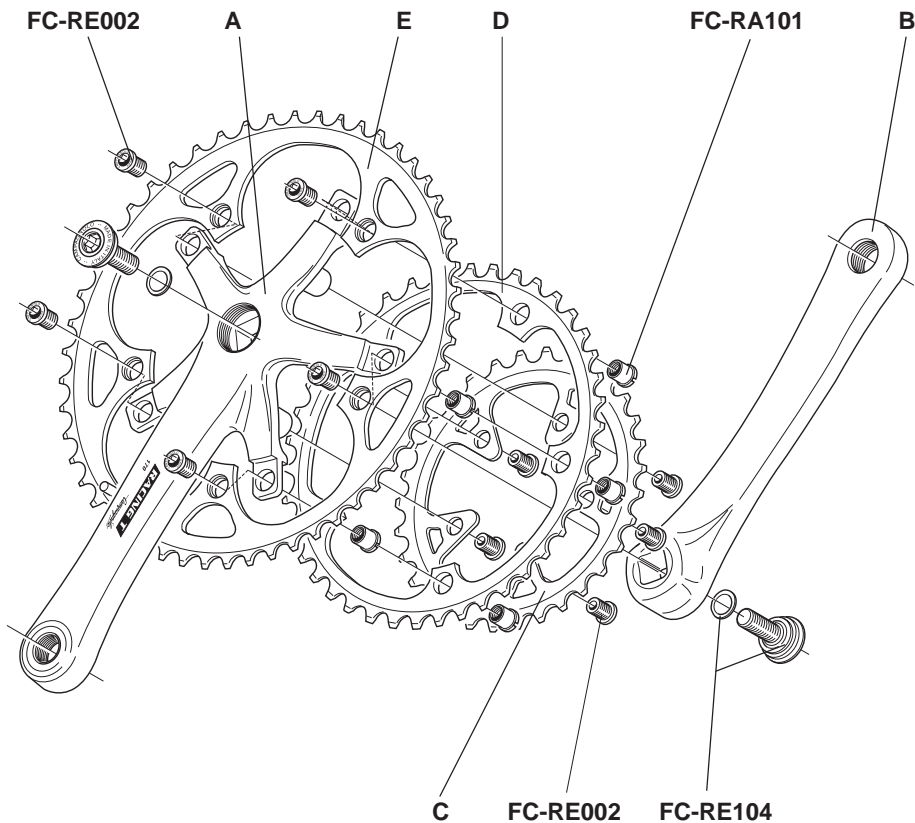
A	L170	FC-RA752
	L175	FC-RA754

B	L170	FC-RA753
	L175	FC-RA755

C	Z30	FC-RA630
----------	-----	----------

D	Z40	FC-RA040
	Z42 for 30	FC-RA042

E	Z50	FC-RA050
	Z52	FC-AT352



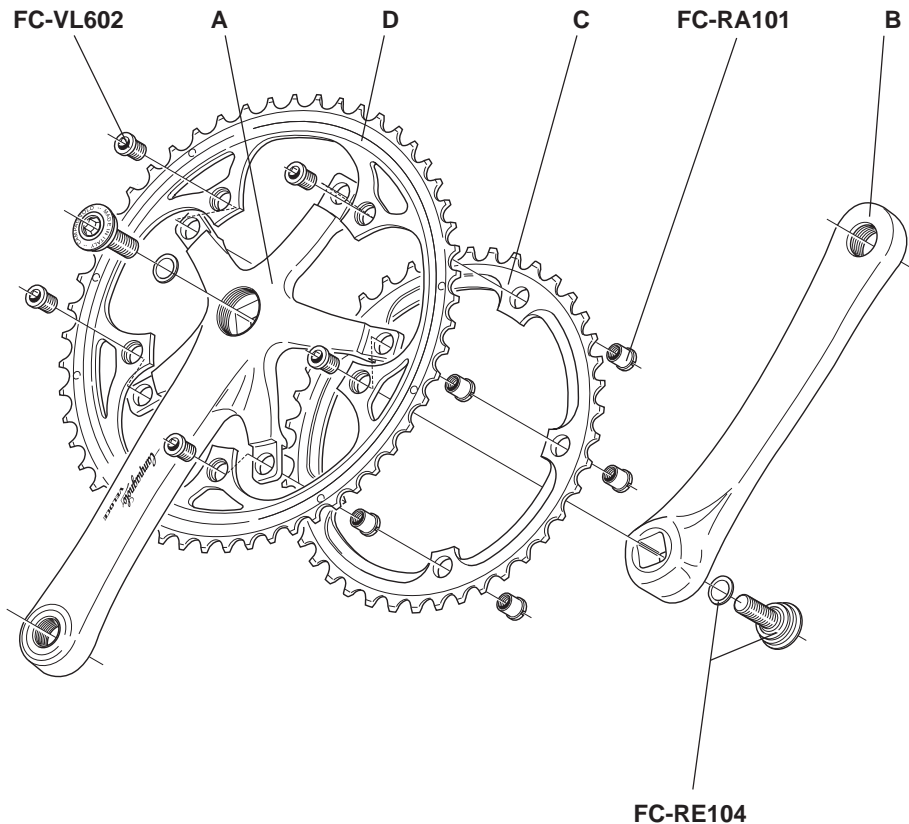
VELOCE

A	L170	FC-VL722
	L172,5	FC-VL724
	L175	FC-VL726

B	L170	FC-VL723
	L172,5	FC-VL725
	L175	FC-VL727

C	Z39	FC-MI039
	Z42	FC-MI042

D	Z52 for 39	FC-VL152
	Z52 for 42	FC-MI352
	Z53 for 39	FC-MI153



**VELOCE
TRIPLE**

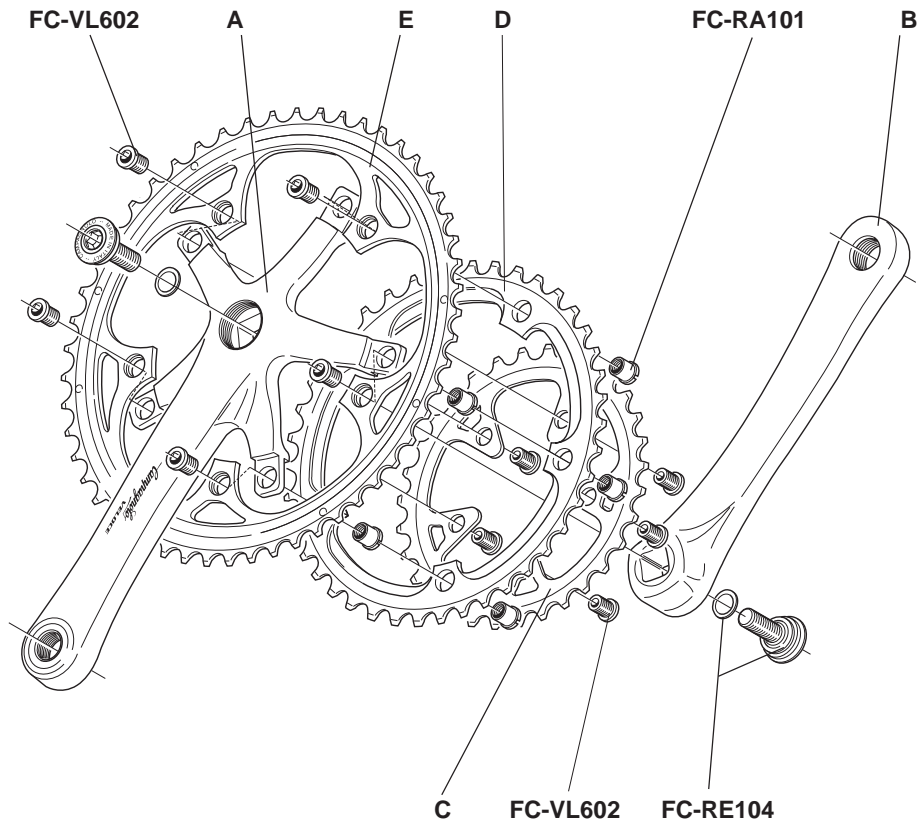
A	L170	FC-VL734
	L175	FC-VL736

B	L170	FC-VL735
	L175	FC-VL737

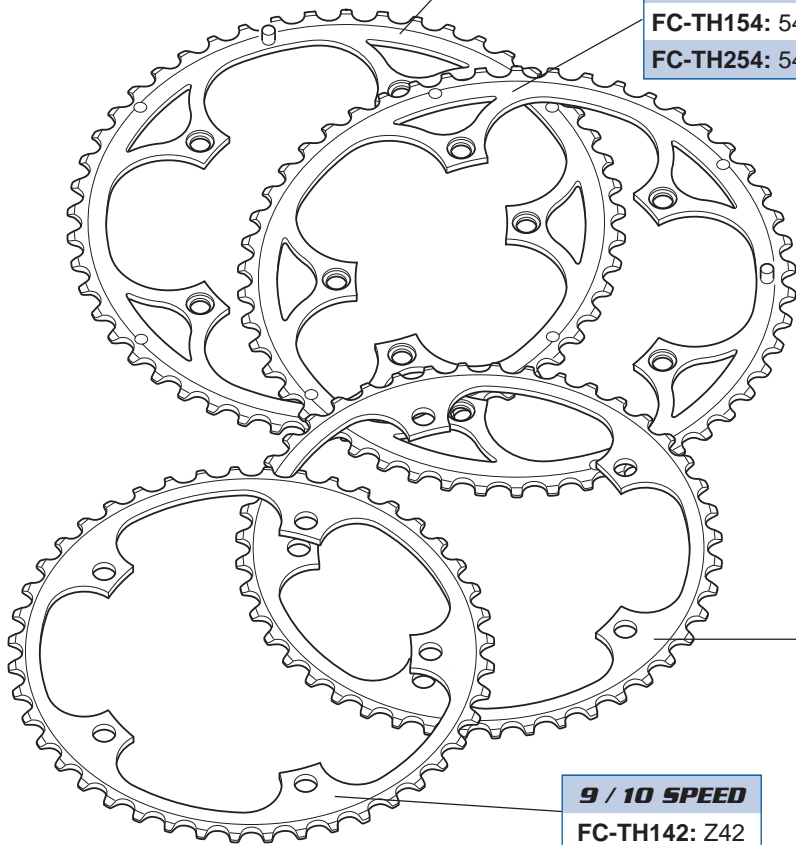
C	Z30	FC-MI730
----------	-----	----------

D	Z42 for 30	FC-VL142
----------	------------	----------

E	Z52	FC-MI352
----------	-----	----------



CHRONO / TRIATHLON CHAINRINGS



9 SPEED	REC 10 SPEED	CHO 10 SPEED
FC-TH155: 55 for 42	FC-RETH155: 55 for 42	FC-CHTH155: 55 for 42
FC-TH255: 55 for 44	FC-RETH255: 55 for 44	FC-CHTH255: 55 for 44

9 SPEED	REC 10 SPEED	CHO 10 SPEED
FC-TH154: 54 for 42	FC-RETH154: 54 for 42	FC-CHTH154: 54 for 42
FC-TH254: 54 for 44	FC-RETH254: 54 for 44	FC-CHTH254: 54 for 44

9 / 10 SPEED

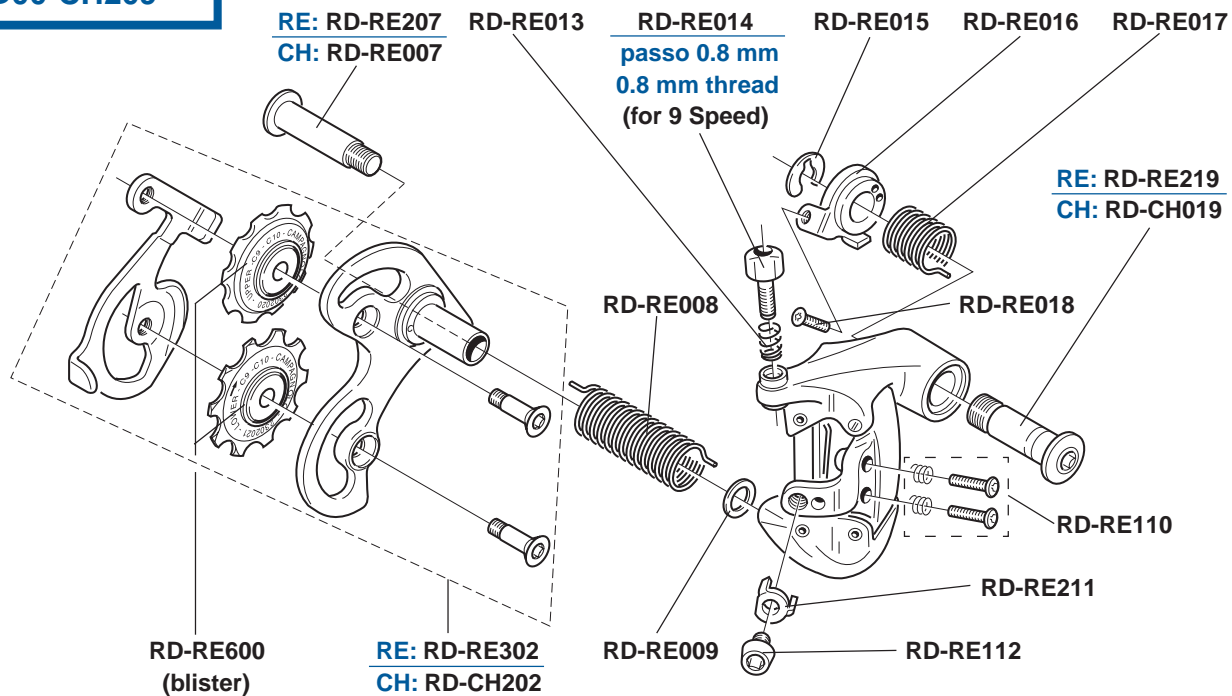
FC-TH144: Z44

9 / 10 SPEED

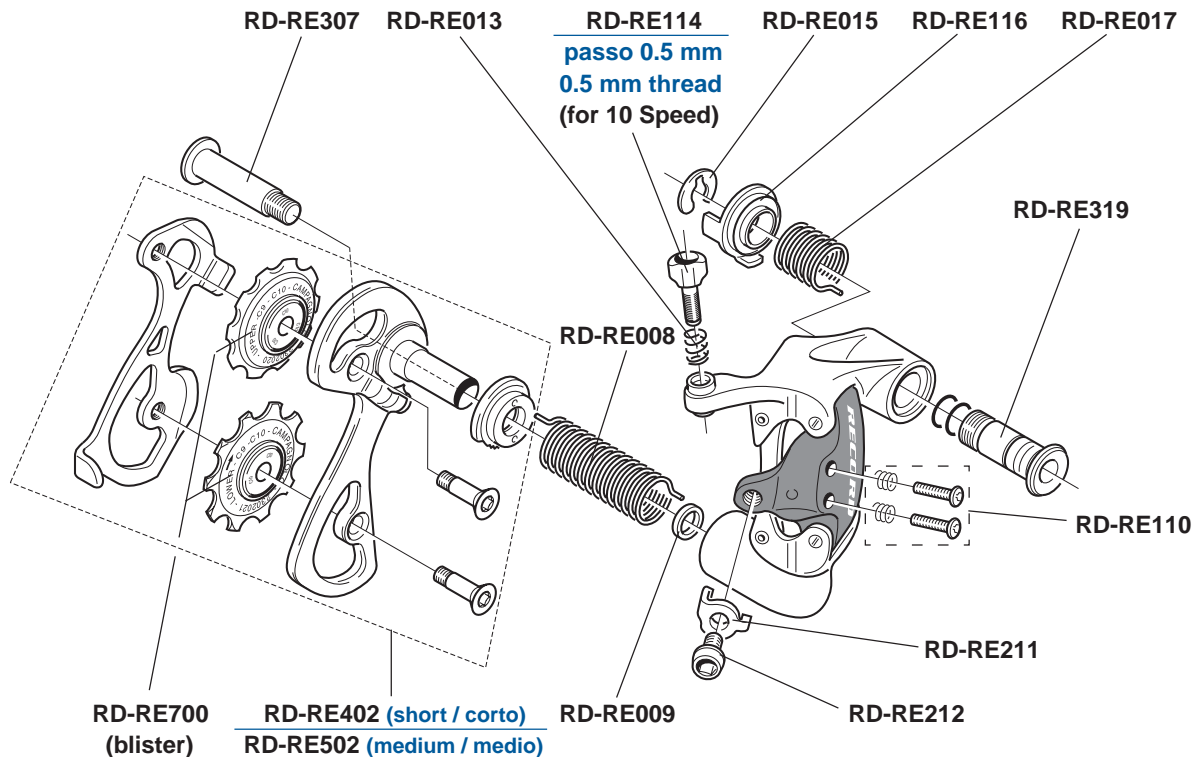
FC-TH142: Z42

RECORD
9 SPEED
RD00-RE209

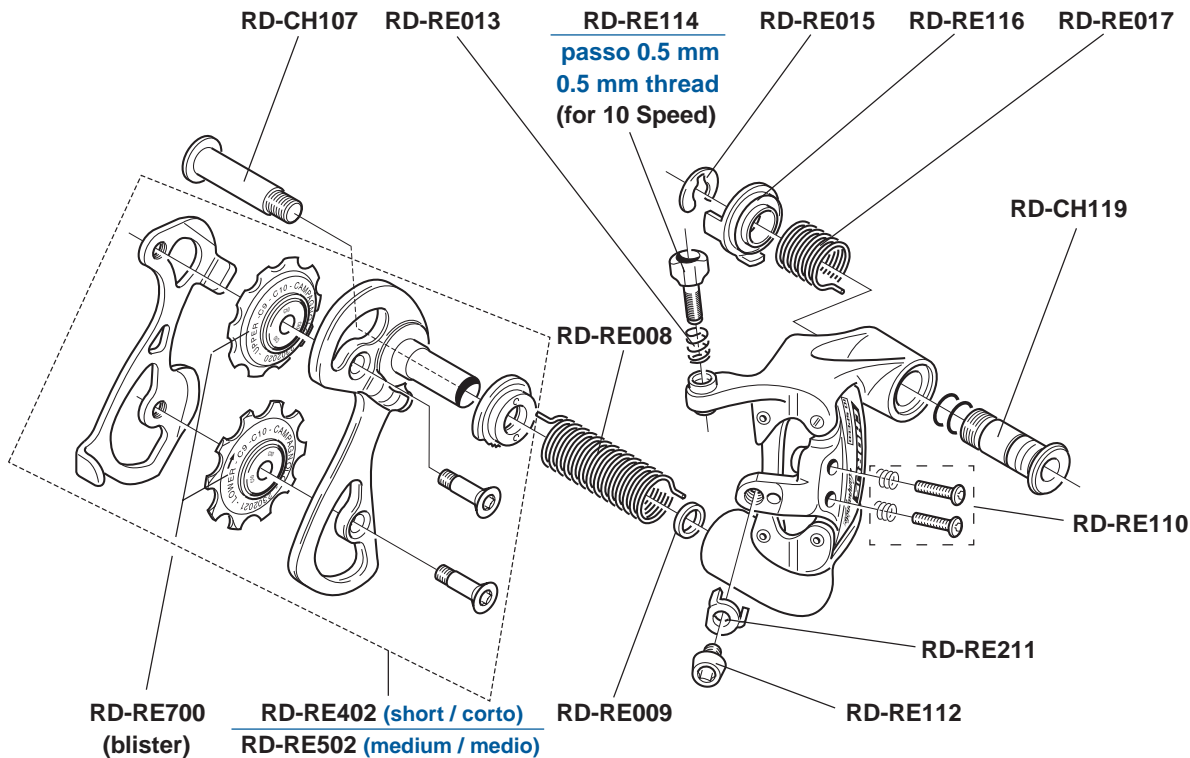
CHORUS
9 SPEED
RD00-CH209



RECORD
10 SPEED
RD00-RE210
RD00-RE210L



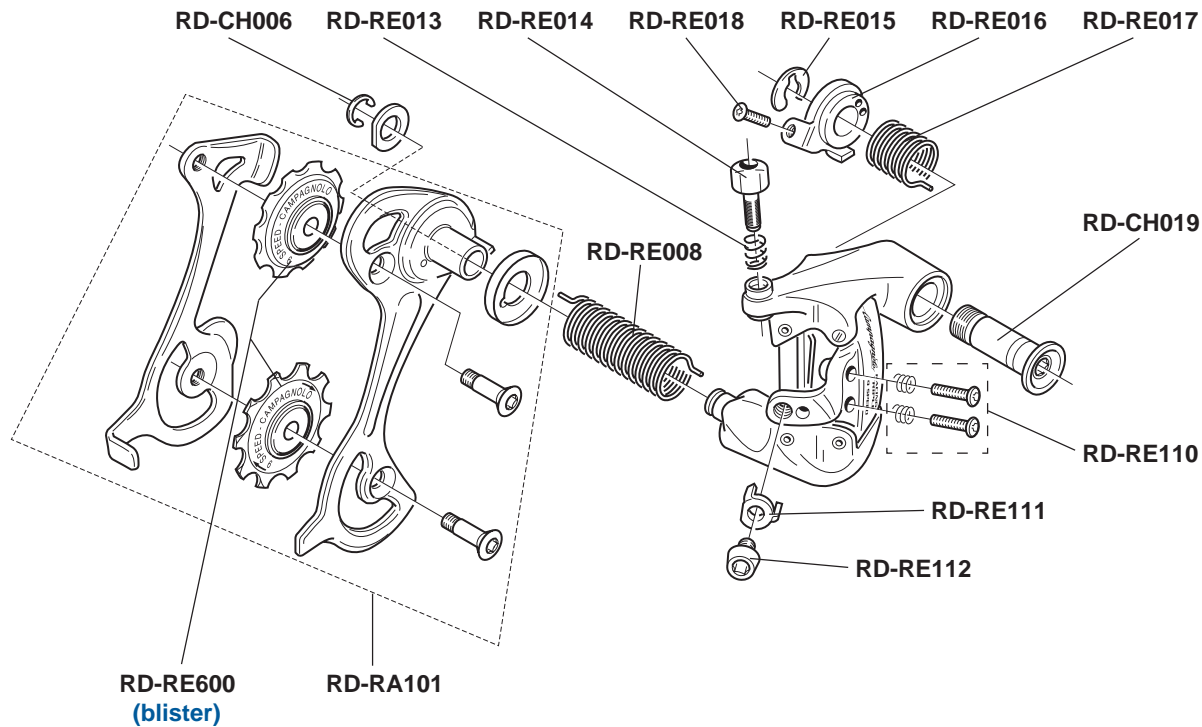
CHORUS
10 SPEED
 RD00-CH210
 RD00-CH210L



RACING TRIPLE

9 SPEED

RD00-RA309



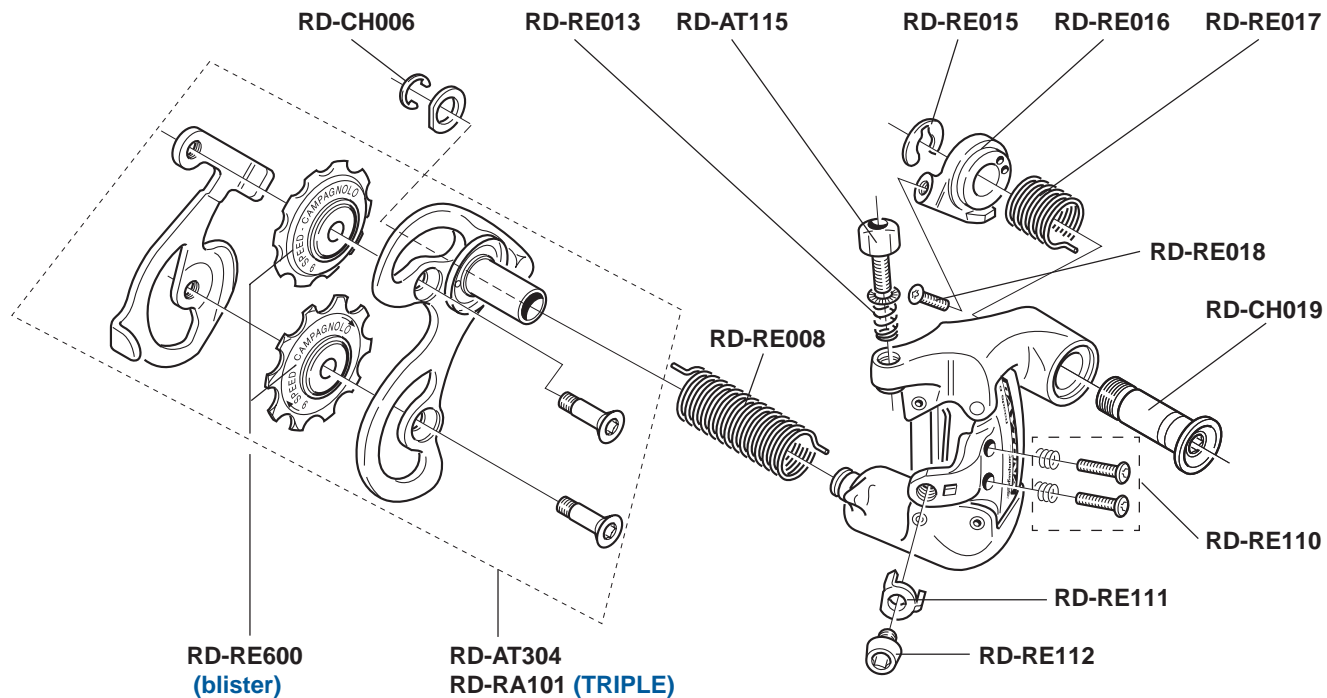
DAYTONA 9 SPEED

RD00-DA209

DAYTONA TRIPLE

9 SPEED

RD00-DA309



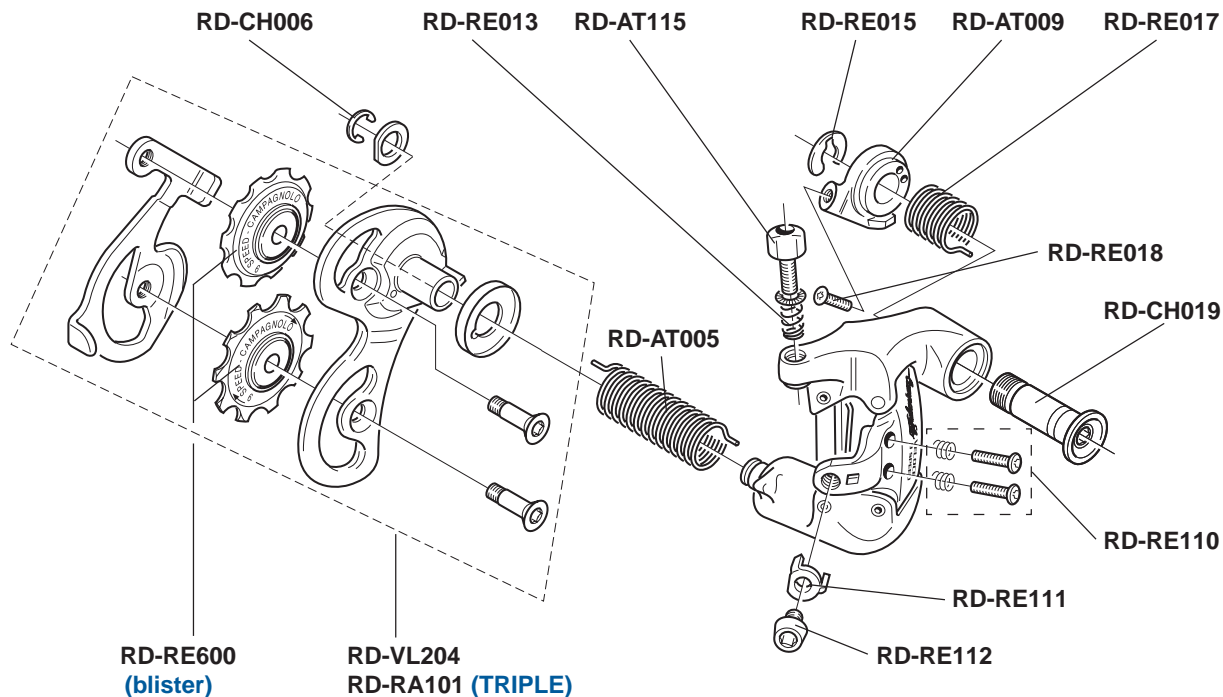
VELOCE 9 SPEED

RD99-VL209

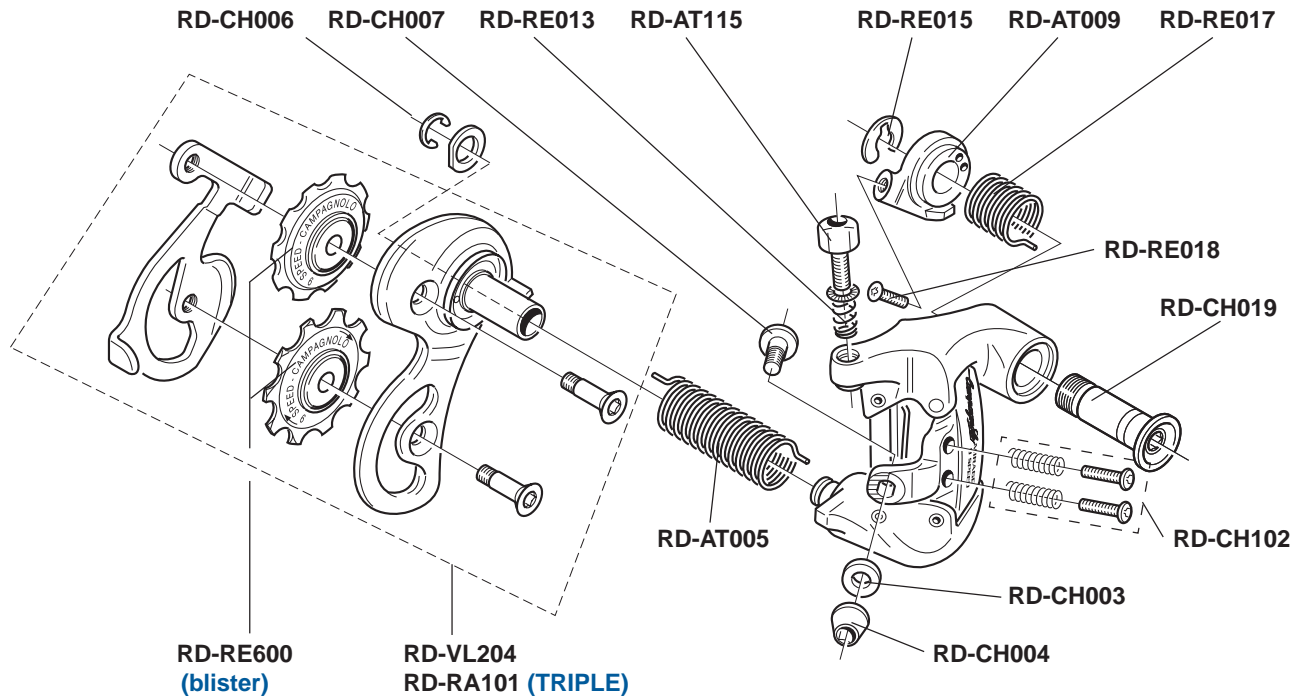
VELOCE TRIPLE

9 SPEED

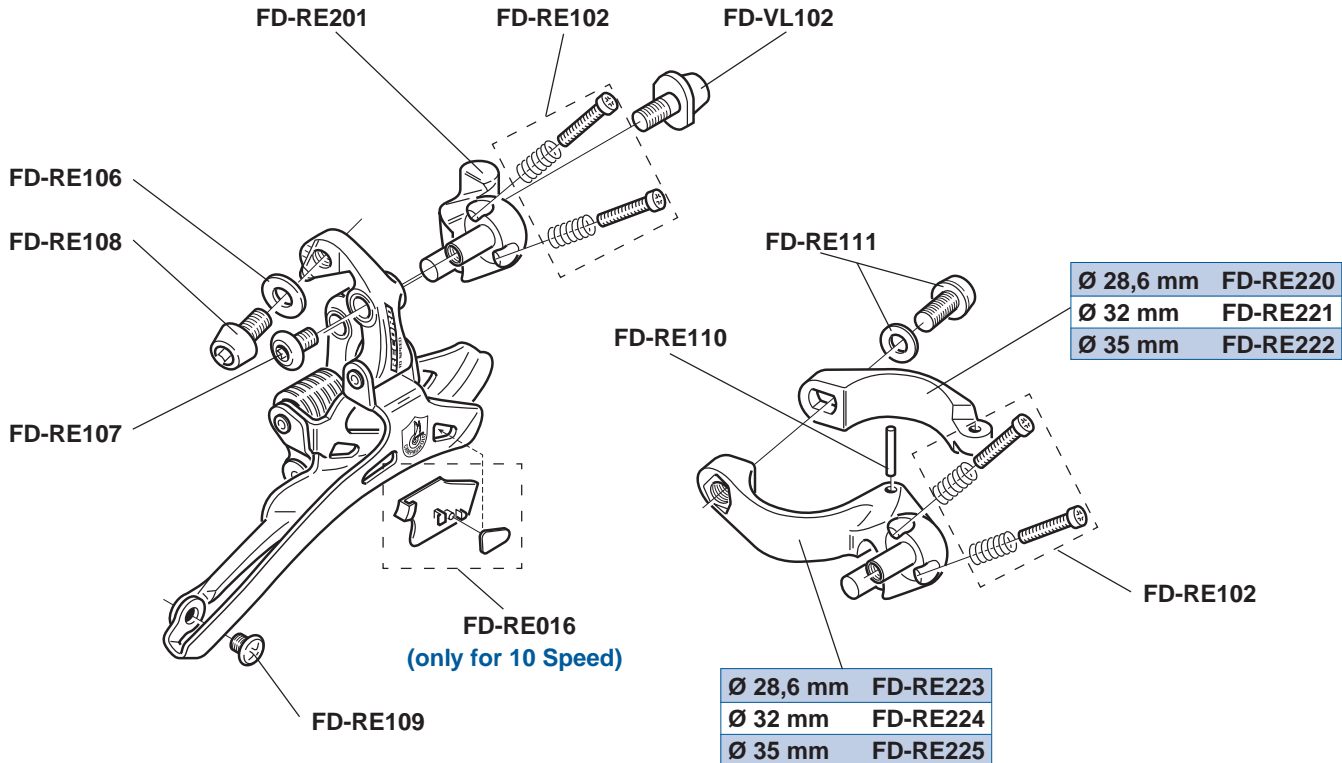
RD99-VL309



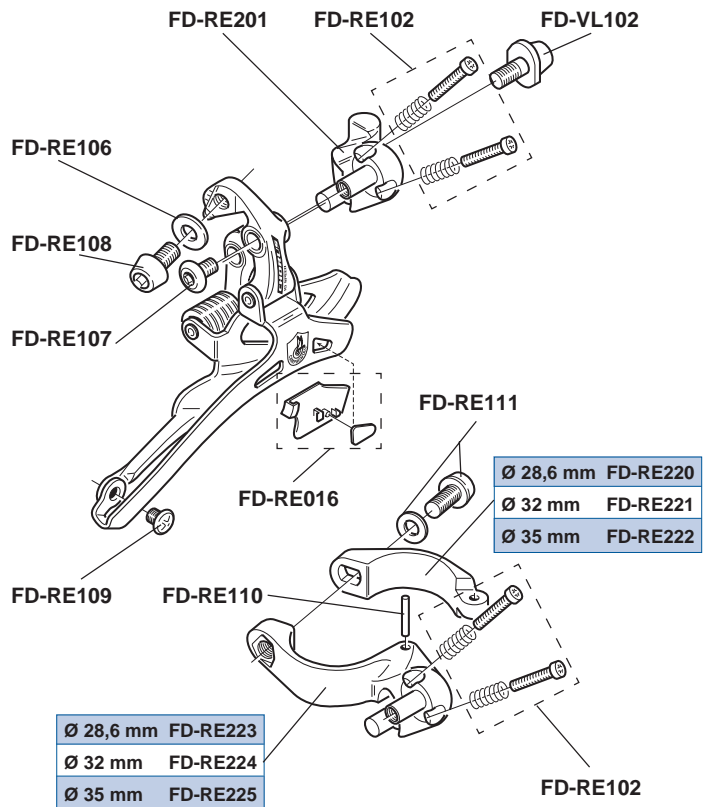
MIRAGE
RD99-MI209
MIRAGE TRIPLE
RD99-MI309



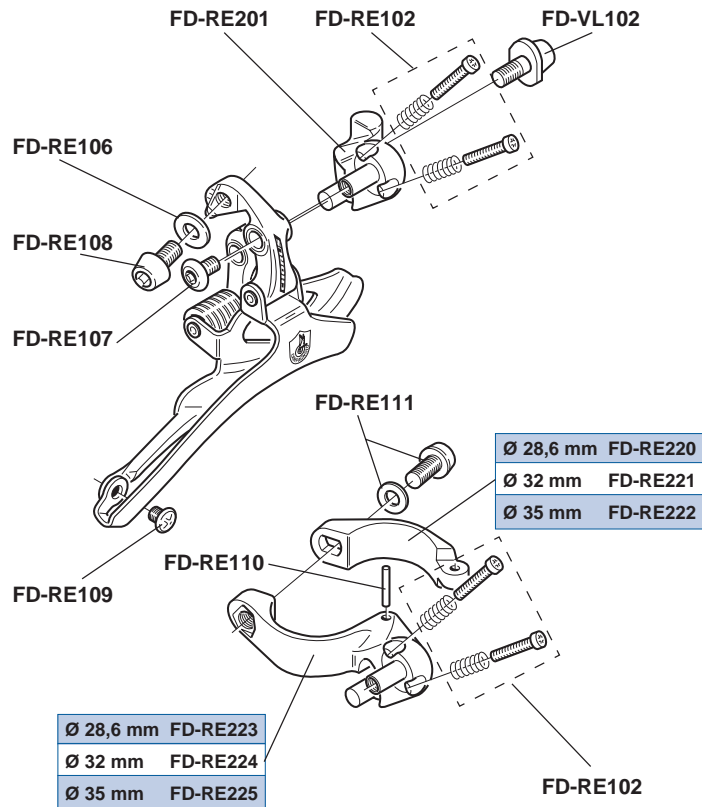
RECORD 9 / 10 SPEED



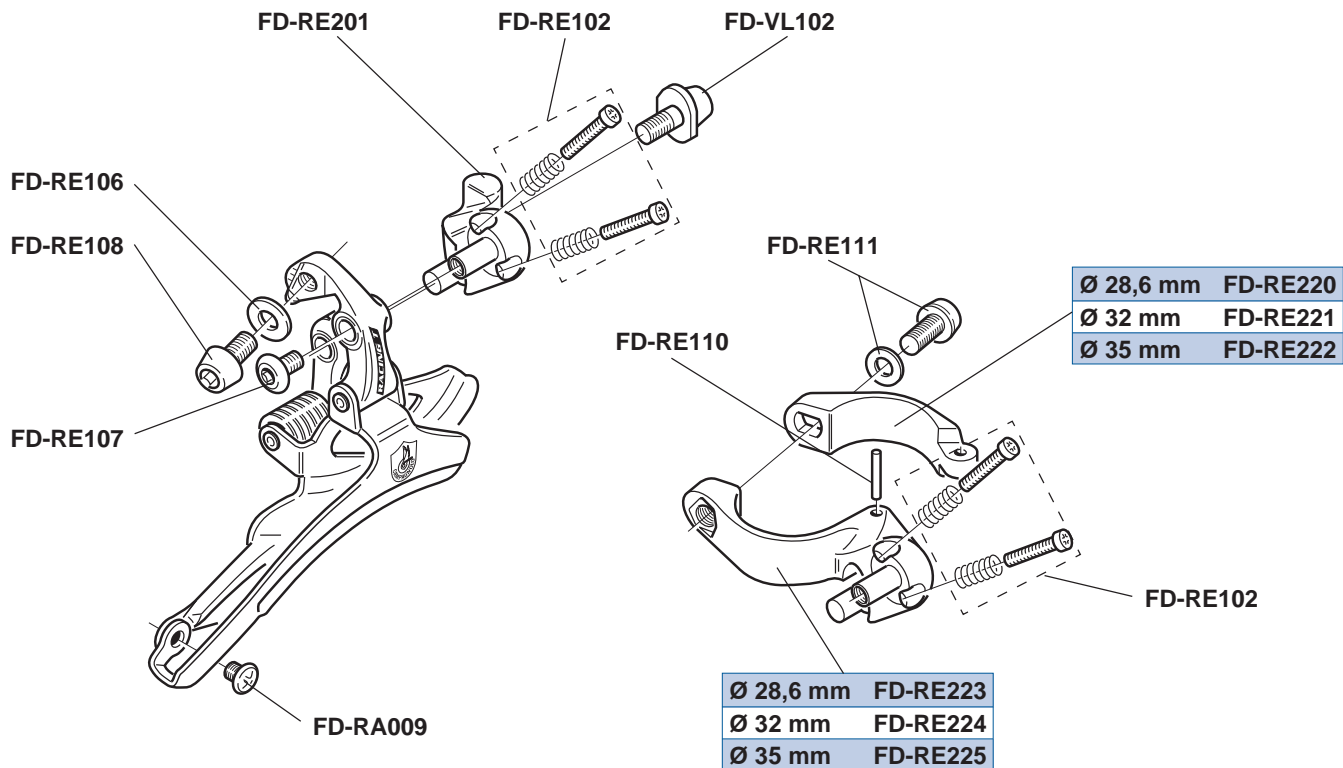
CHORUS 10 SPEED



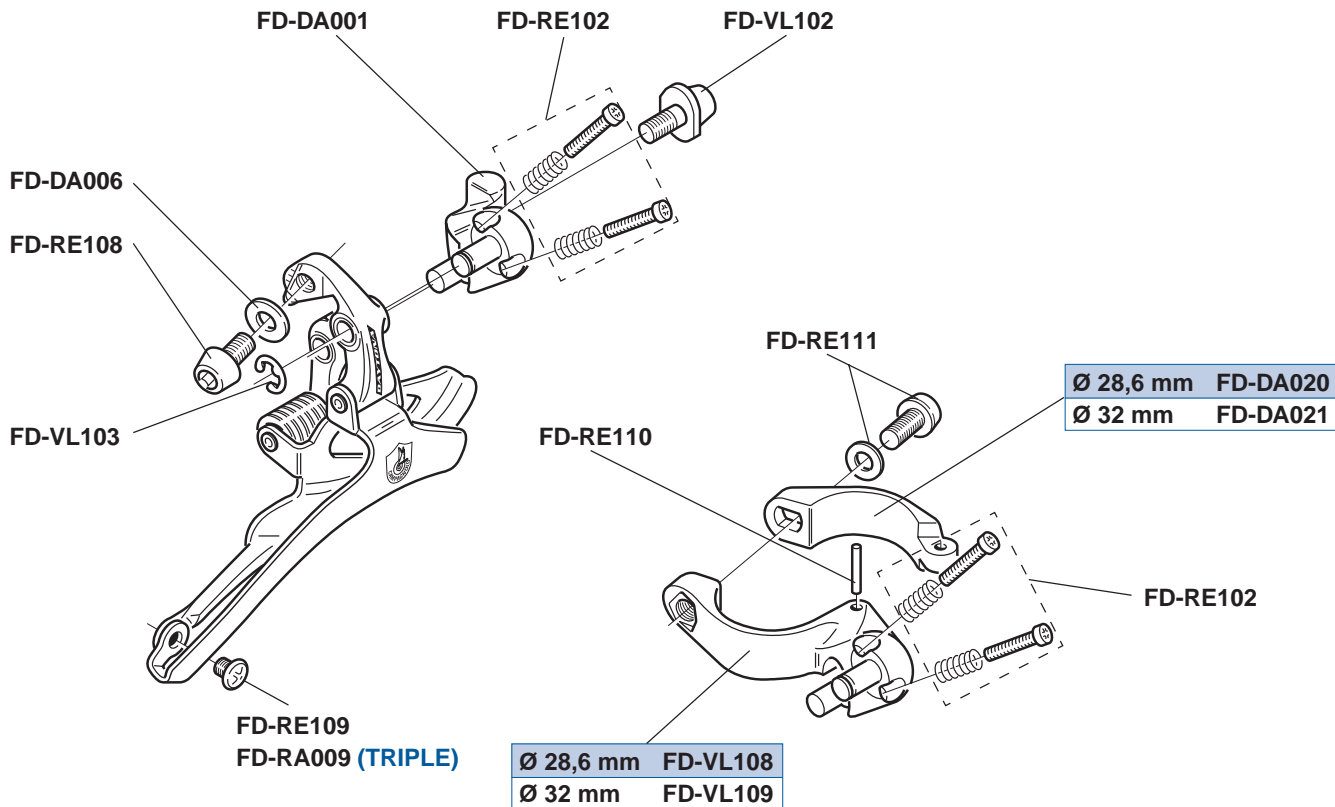
CHORUS 9 SPEED



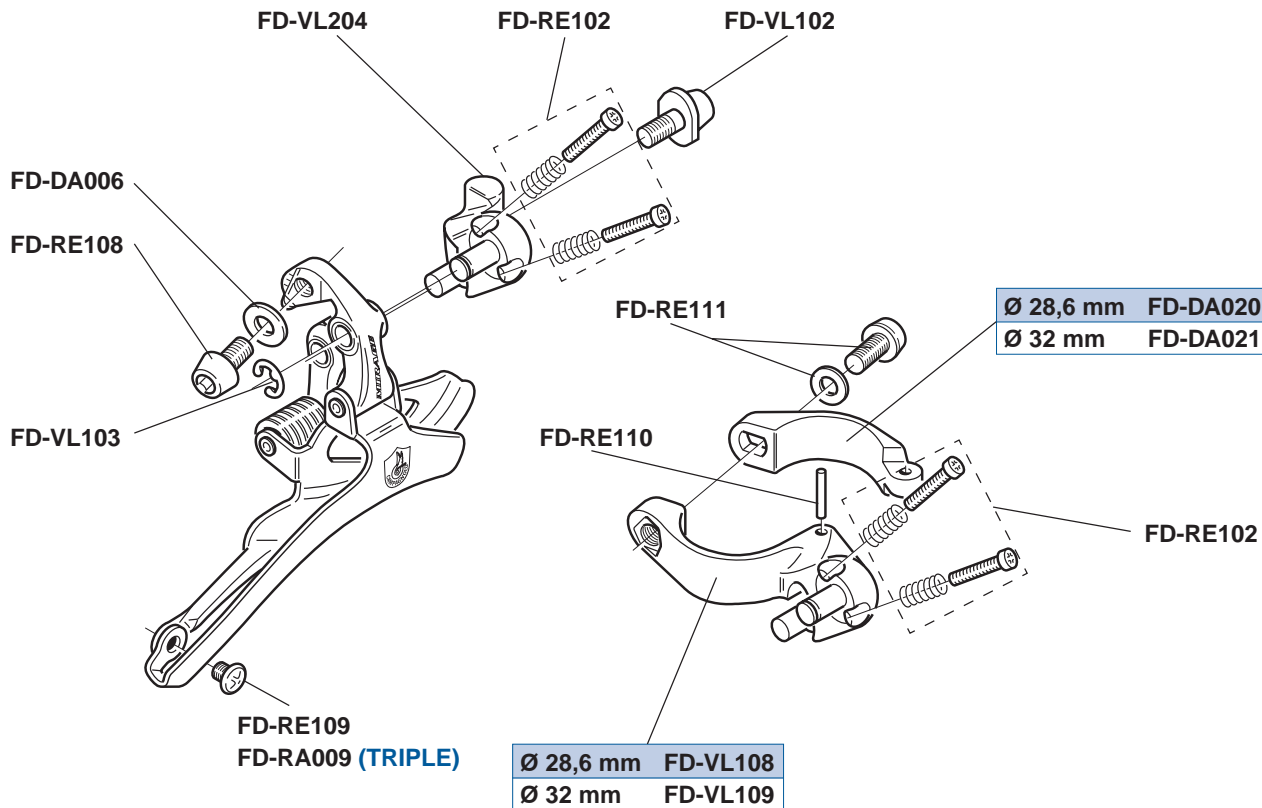
RACING TRIPLE 9 SPEED



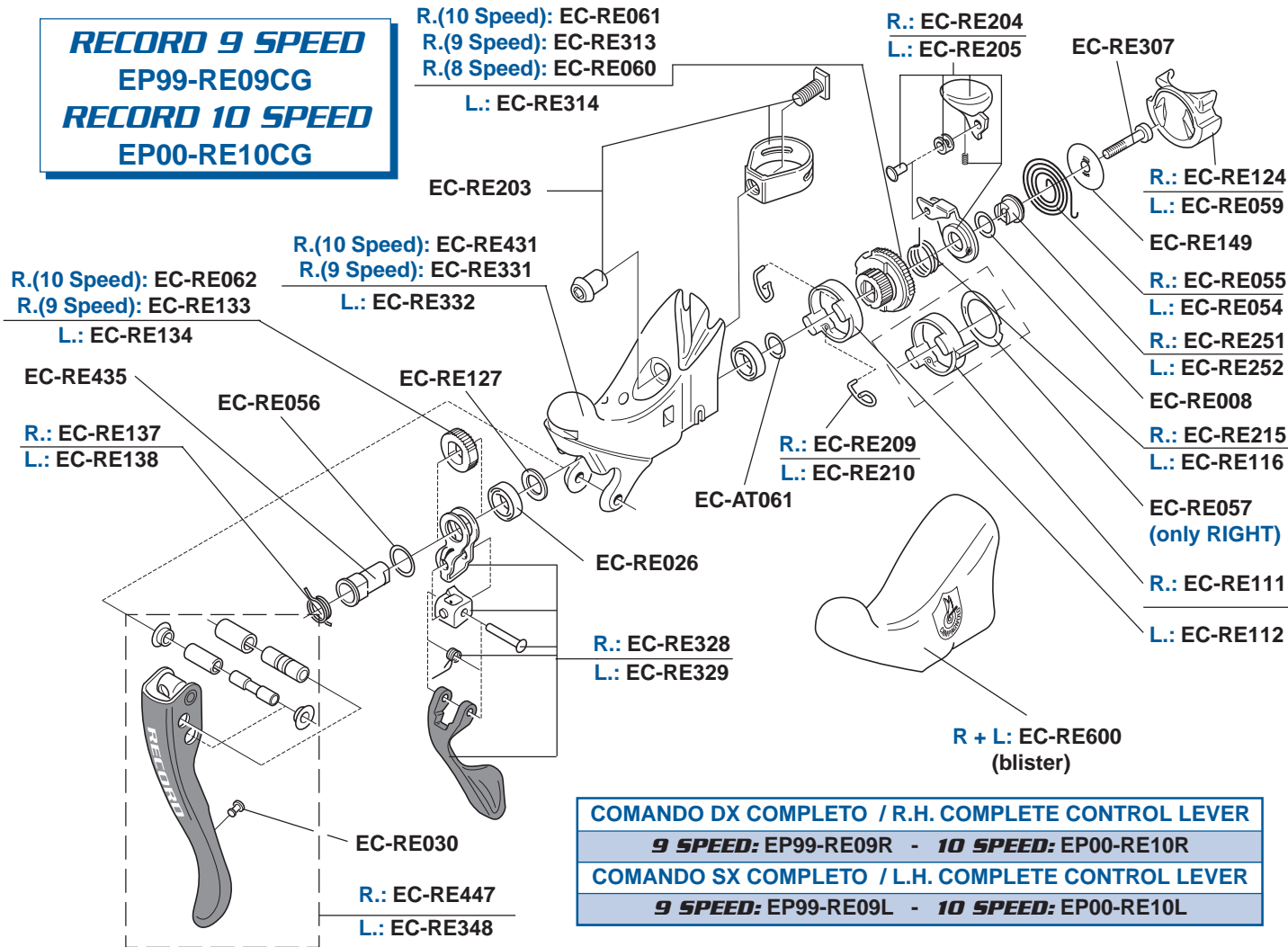
DAYTONA
DAYTONA TRIPLE



MIRAGE MIRAGE TRIPLE



RECORD 9 SPEED
EP99-RE09CG
RECORD 10 SPEED
EP00-RE10CG



COMANDO DX COMPLETO / R.H. COMPLETE CONTROL LEVER
9 SPEED: EP99-RE09R - 10 SPEED: EP00-RE10R
COMANDO SX COMPLETO / L.H. COMPLETE CONTROL LEVER
9 SPEED: EP99-RE09L - 10 SPEED: EP00-RE10L

CHORUS 9 SPEED
EP00-CH09CG
CHORUS 10 SPEED
EP00-CH10CG

R.(10 Speed): EC-RE062
 R.(9 Speed): EC-RE133
 L.: EC-RE134

EC-RE435
 R.: EC-RE137
 L.: EC-RE138

R.(10 Speed): EC-RE431
 R.(9 Speed): EC-RE331
 L.: EC-RE332

EC-RE203

R.(10 Speed): EC-RE061
 R.(9 Speed): EC-RE313
 R.(8 Speed): EC-RE060
 L.: EC-RE314

EC-RE127

EC-AT061

R.: EC-RE209
 L.: EC-RE210

EC-RE026

R.: EC-RE228
 L.: EC-RE229

R.: EC-RE104
 L.: EC-RE105

EC-RE307

R.: EC-RE124
 L.: EC-RE059

EC-RE149

R.: EC-RE055
 L.: EC-RE054

R.: EC-RE251
 L.: EC-RE252

EC-RE008

R.: EC-RE215
 L.: EC-RE116

EC-RE057
 (only RIGHT)

R.: EC-RE111

L.: EC-RE112

R + L: EC-RE600
 (blister)

EC-RE030

R.: EC-CH347
 L.: EC-CH248

COMANDO DX COMPLETO / R.H. COMPLETE CONTROL LEVER

9 SPEED: EP00-CH09R - 10 SPEED: EP00-CH10R

COMANDO SX COMPLETO / L.H. COMPLETE CONTROL LEVER

9 SPEED: EP00-CH09L - 10 SPEED: EP00-CH10L

DAYTONA
9 SPEED
EP00-DA09CG

R.(9 Speed): EC-RE313
 R.(8 Speed): EC-RE060
 L.: EC-RE314

R.: EC-RE204
 L.: EC-RE205

EC-RE307

EC-RE203

R.: EC-RE124

L.: EC-RE059

EC-RE149

R.: EC-RE055

L.: EC-RE054

R.: EC-RE133

L.: EC-RE134

R.: EC-DA031

L.: EC-DA032

EC-VL036

EC-RE056

EC-RE127

R.: EC-RE137

L.: EC-RE138

R.: EC-RE209

L.: EC-RE210

EC-RE008

R.: EC-RE215

L.: EC-RE116

EC-RE057
 (only RIGHT)

R.: EC-RE111

L.: EC-RE112

R.: EC-RE228

L.: EC-RE229

R + L: EC-RE600
 (blister)

EC-RE030

R.: EC-DA047

L.: EC-DA048

COMANDO DX COMPLETO / R.H. COMPLETE CONTROL LEVER

EP00-DA09R

COMANDO SX COMPLETO / L.H. COMPLETE CONTROL LEVER

EP00-DA09L

VELOCE
9 SPEED
EP00-VL09CG

R.: EC-RE133
 L.: EC-RE134

EC-VL036

R.: EC-RE137
 L.: EC-RE138

EC-RE056

R.: EC-VL431
 L.: EC-VL432

R.: EC-CH228
 L.: EC-CH229

R.: EC-VL347
 L.: EC-VL348

EC-RE203

R.(9 Speed): EC-RE313
 R.(8 Speed): EC-RE060
 L.: EC-RE314

R.: EC-RE204
 L.: EC-RE205

R.: EC-RE209
 L.: EC-RE210

EC-RE307

R.: EC-RE124
 L.: EC-RE059

EC-RE149

R.: EC-RE055
 L.: EC-RE054

EC-RE008

R.: EC-RE215
 L.: EC-RE116

EC-RE057
 (only RIGHT)

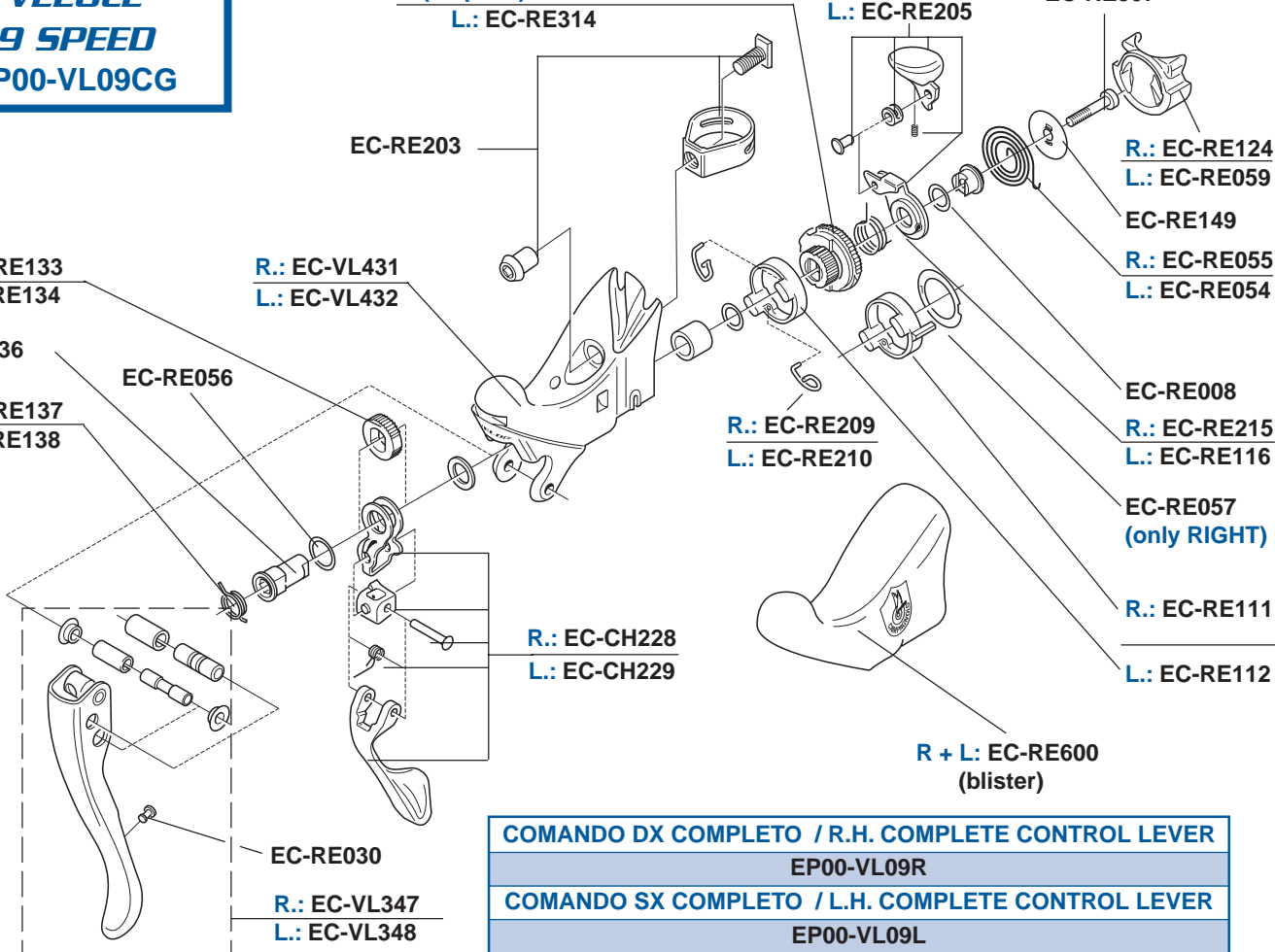
R.: EC-RE111

L.: EC-RE112

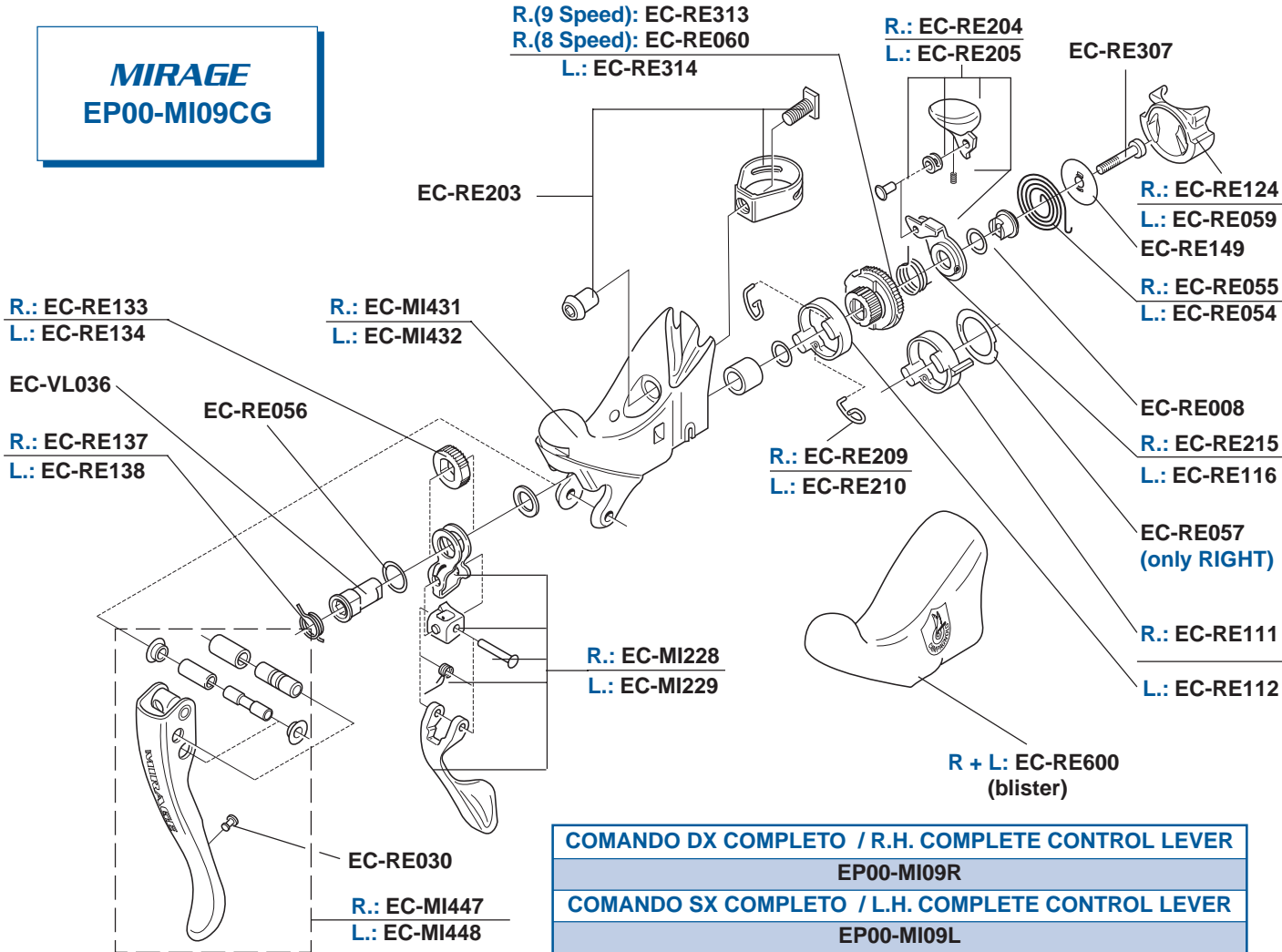
R + L: EC-RE600
 (blister)

COMANDO DX COMPLETO / R.H. COMPLETE CONTROL LEVER
EP00-VL09R

COMANDO SX COMPLETO / L.H. COMPLETE CONTROL LEVER
EP00-VL09L



MIRAGE
EP00-MI09CG



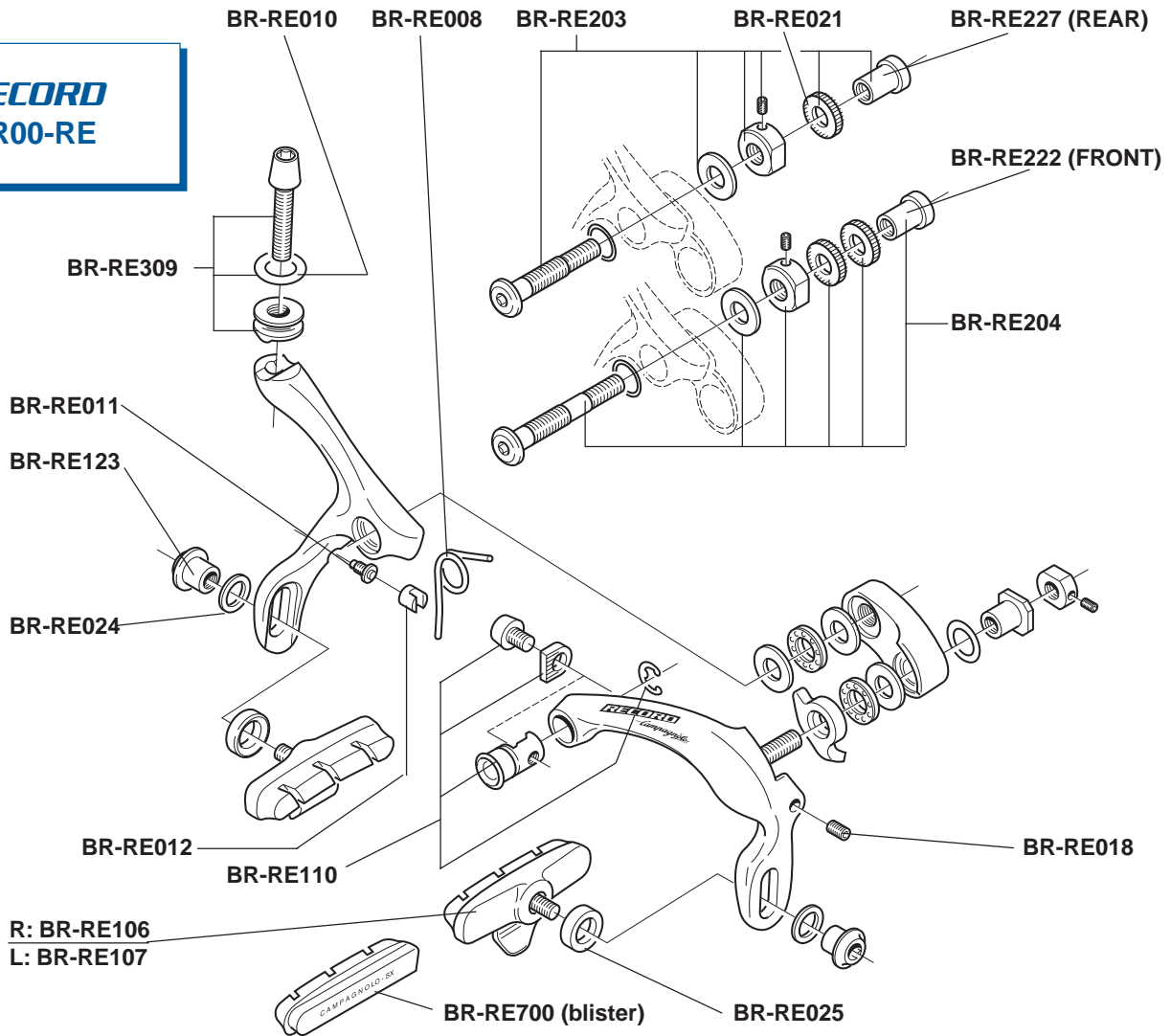
COMANDO DX COMPLETO / R.H. COMPLETE CONTROL LEVER

EP00-MI09R

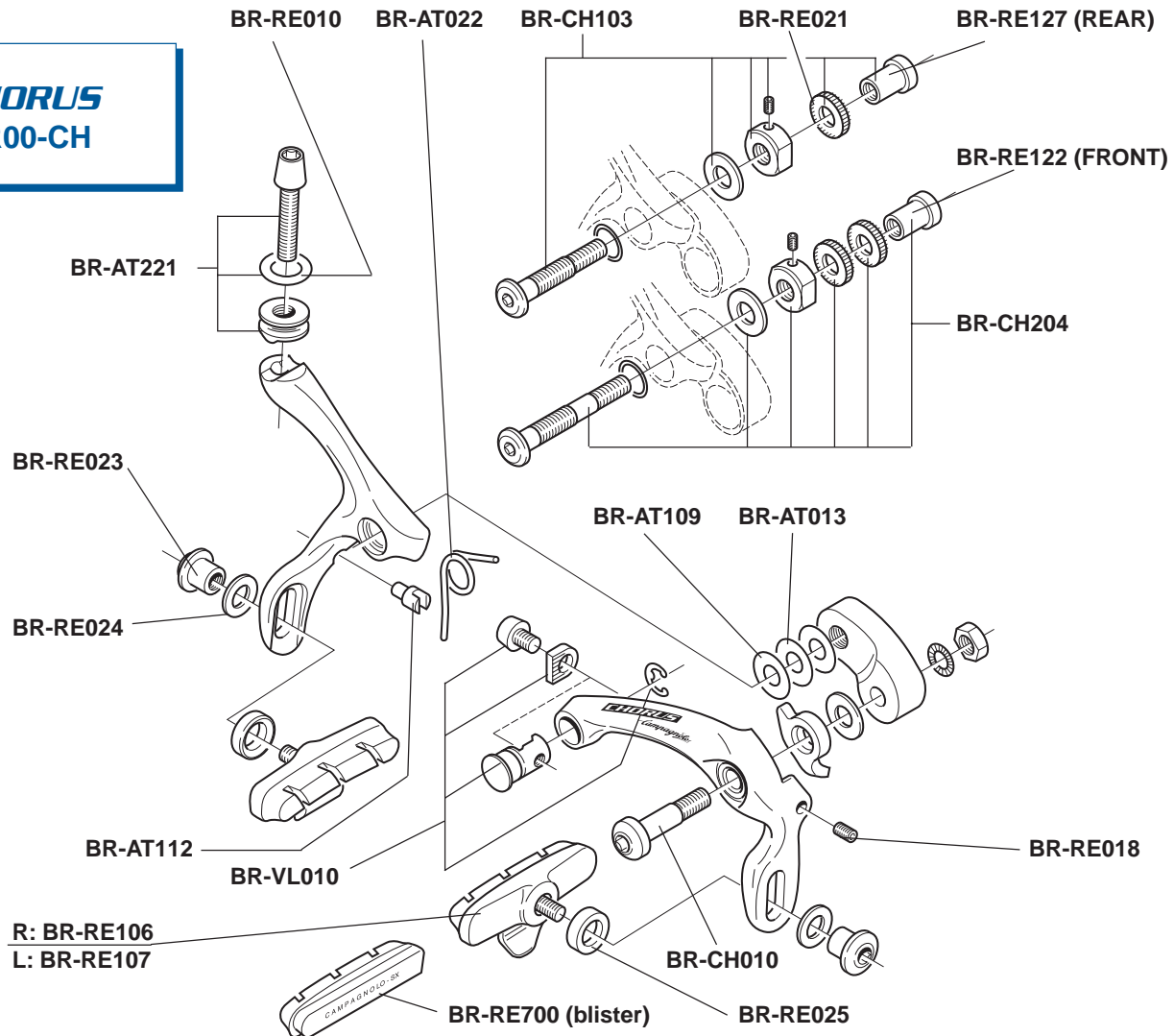
COMANDO SX COMPLETO / L.H. COMPLETE CONTROL LEVER

EP00-MI09L

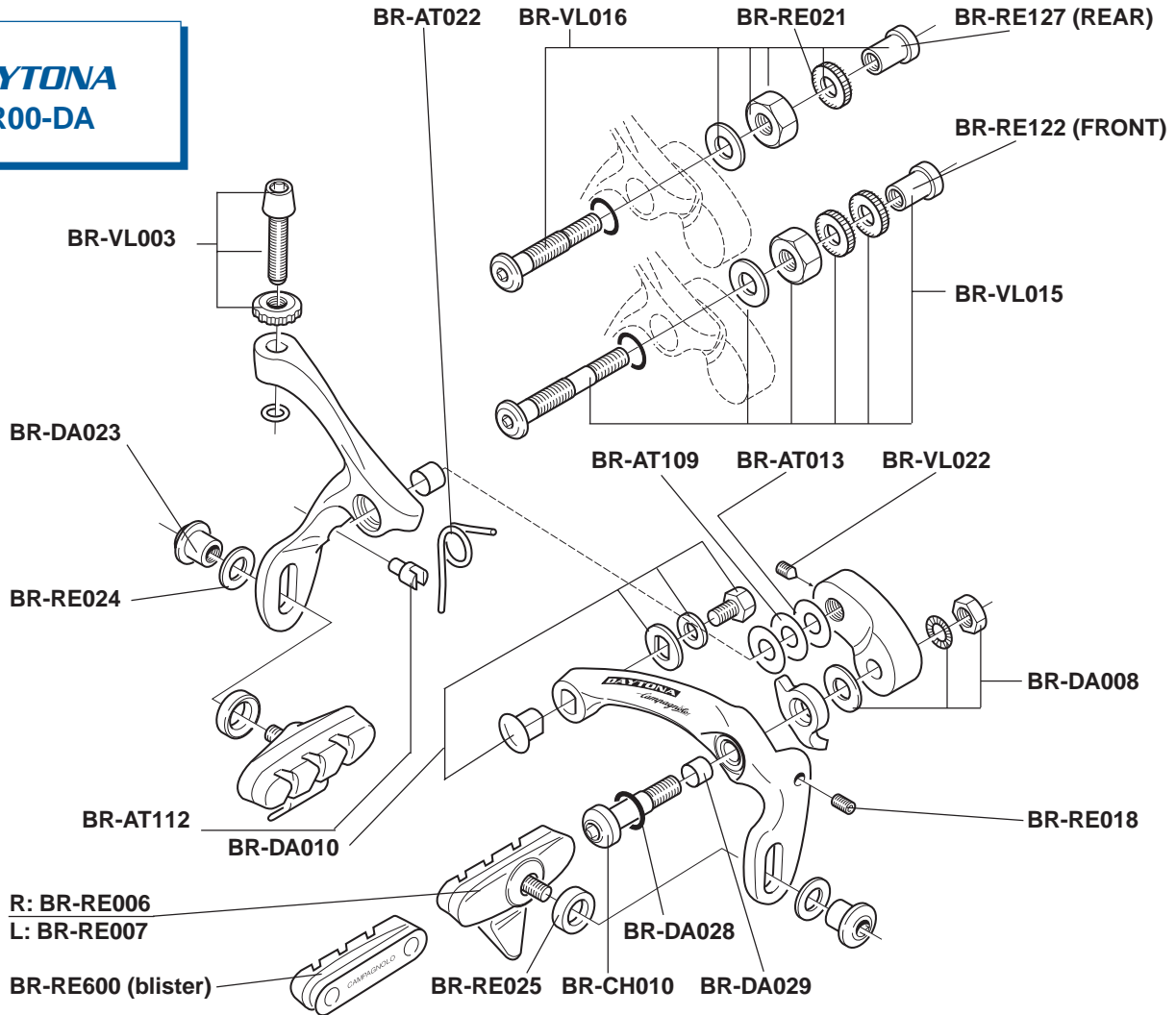
RECORD BR00-RE



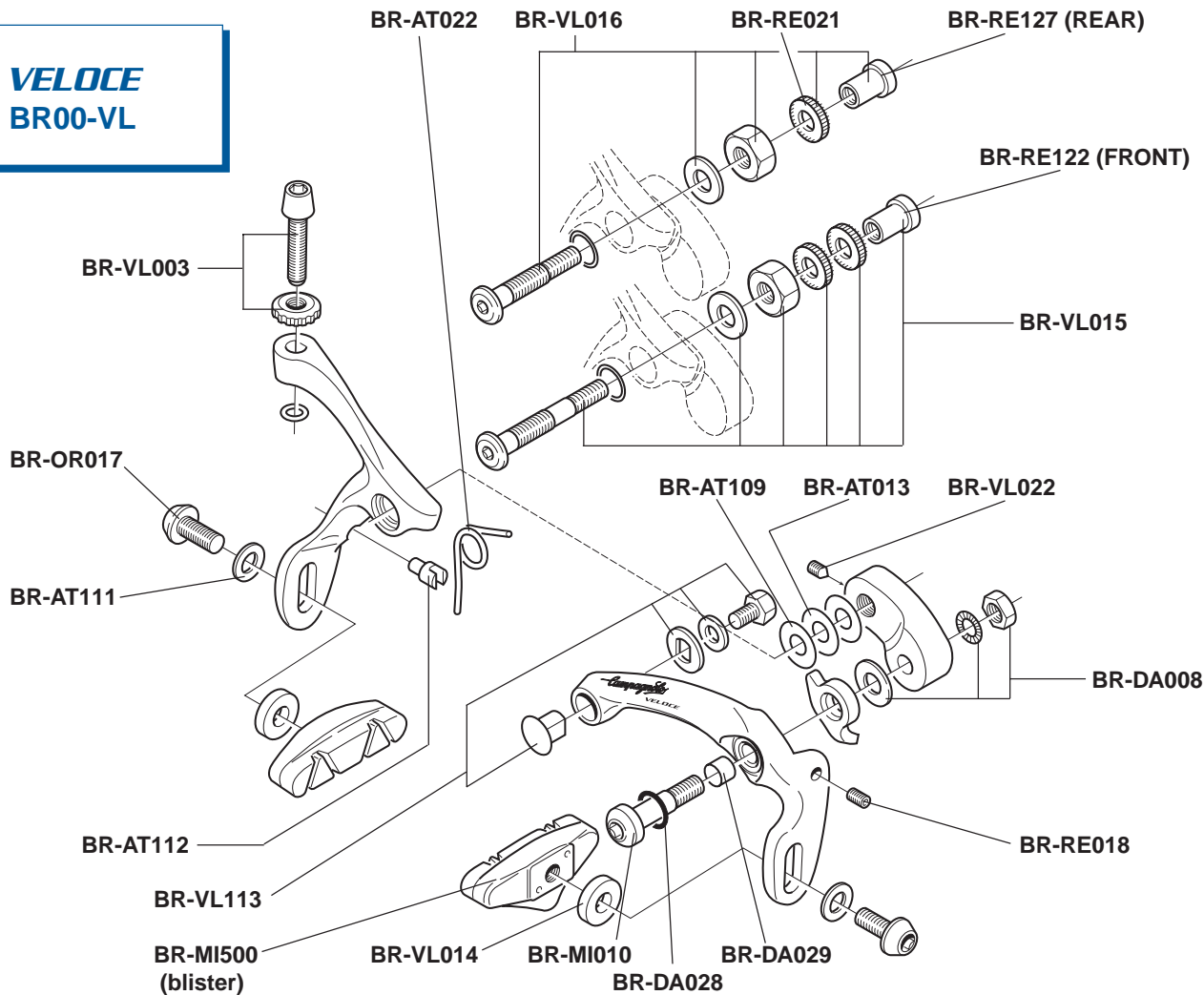
**CHORUS
BR00-CH**



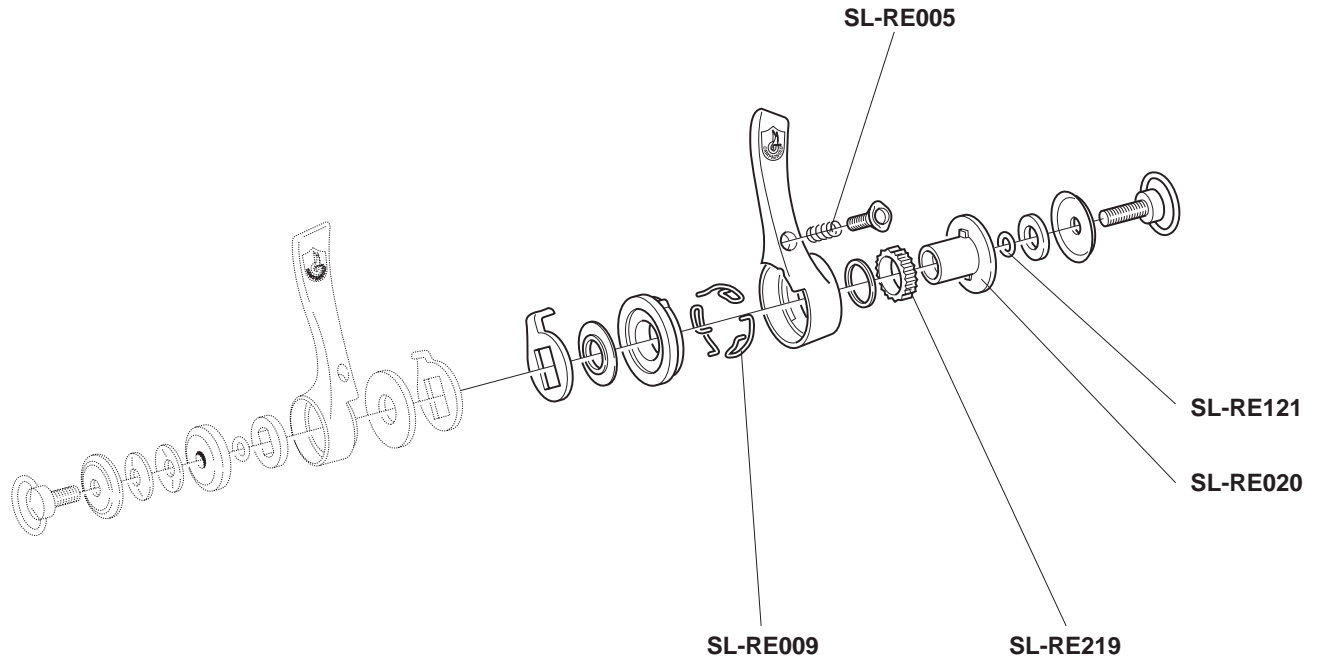
DAYTONA BR00-DA



VELOCE
BR00-VL



RECORD
9 SPEED
SL99-RE09CG

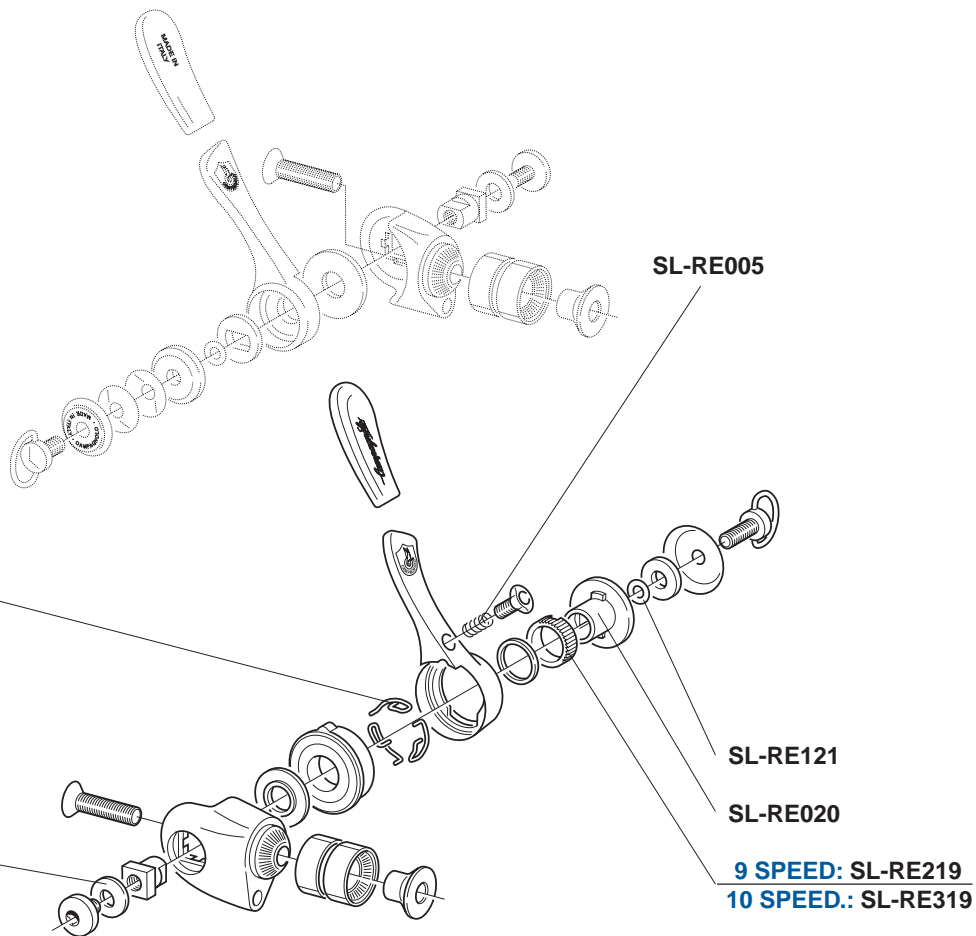


BAR-END 9 SPEED

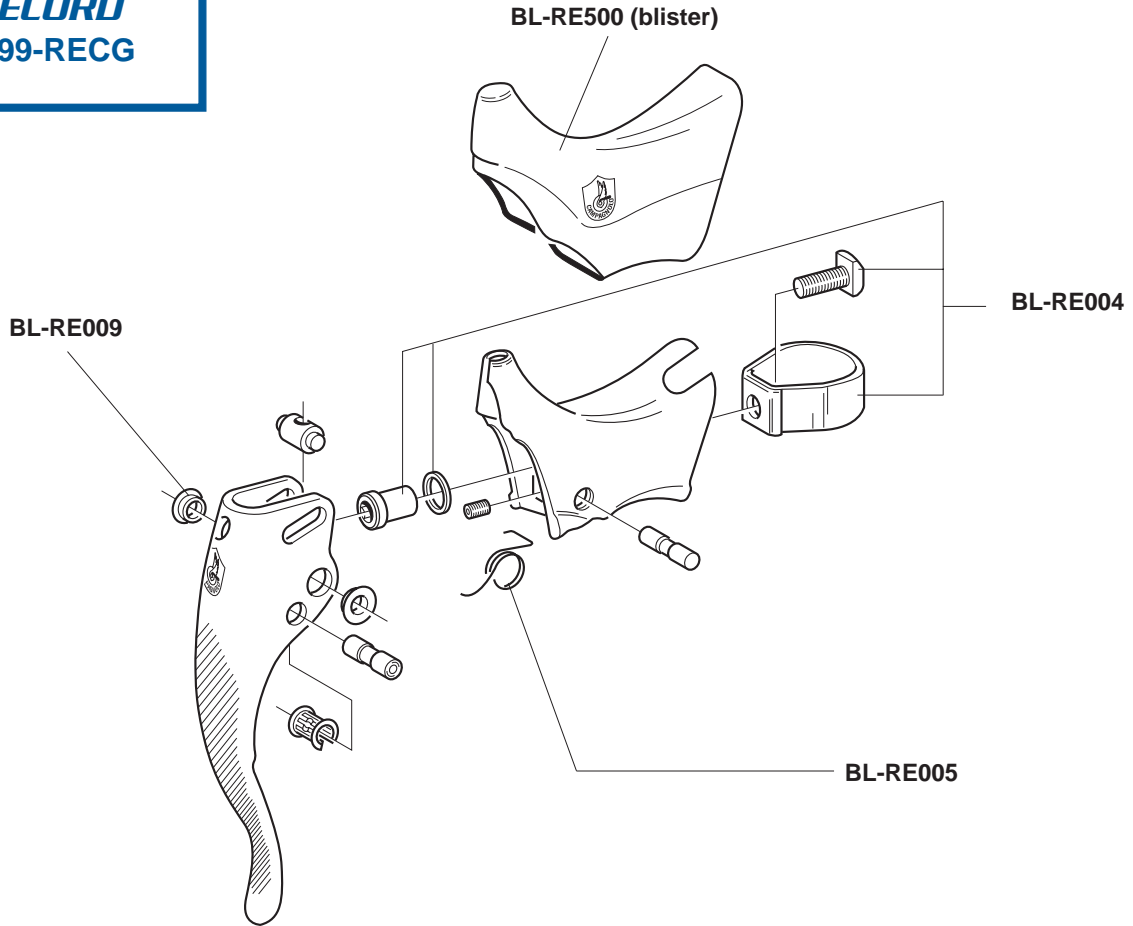
SL99-BE09CG

BAR-END 10 SPEED

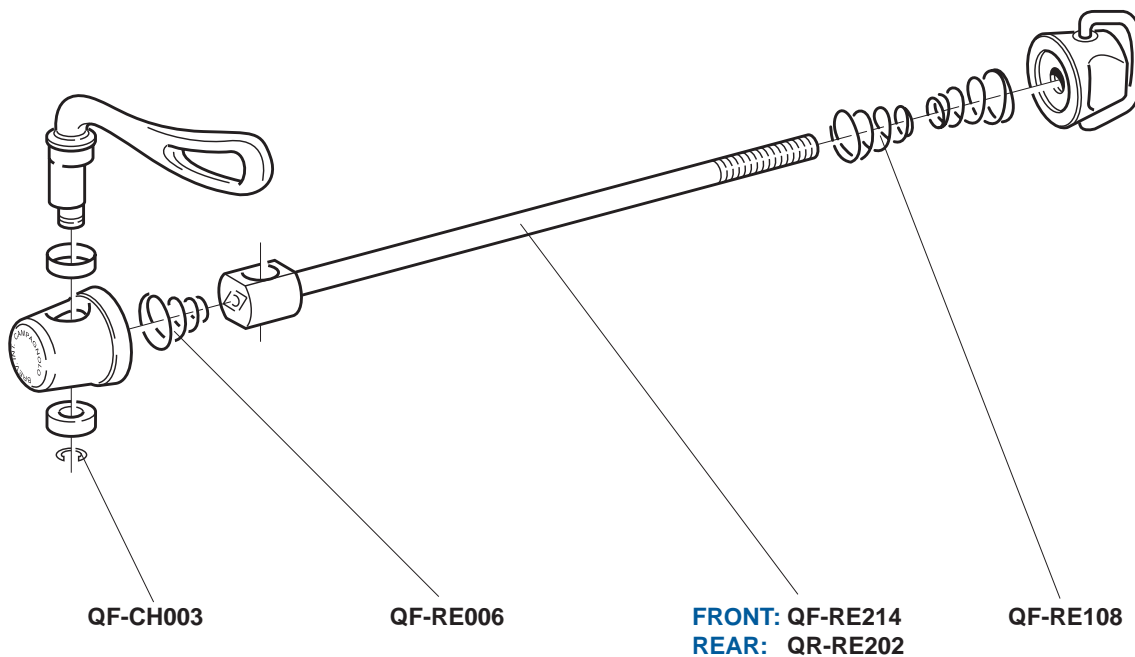
SL00-BE10CG



RECORD
BL99-RECG



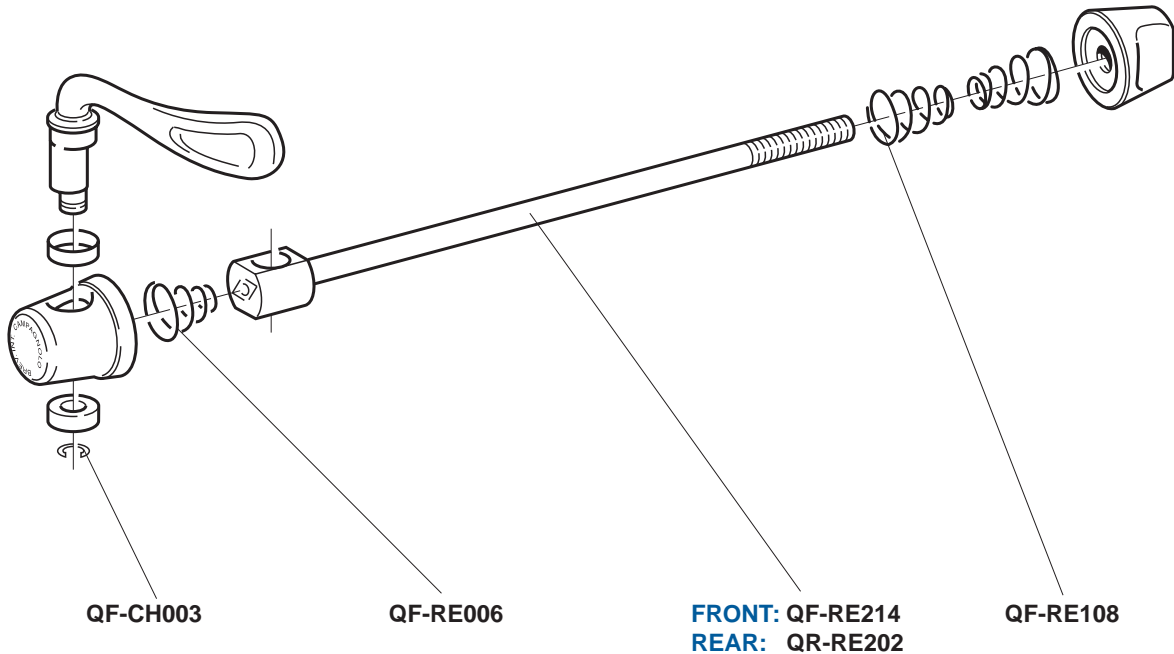
RECORD
BORA-SHAMAL
VENTO-NUCLEON
ELECTRON
front: QF-RE121
rear: QR-RE121



CHORUS

front: QF-CH111

rear: QR-CH111



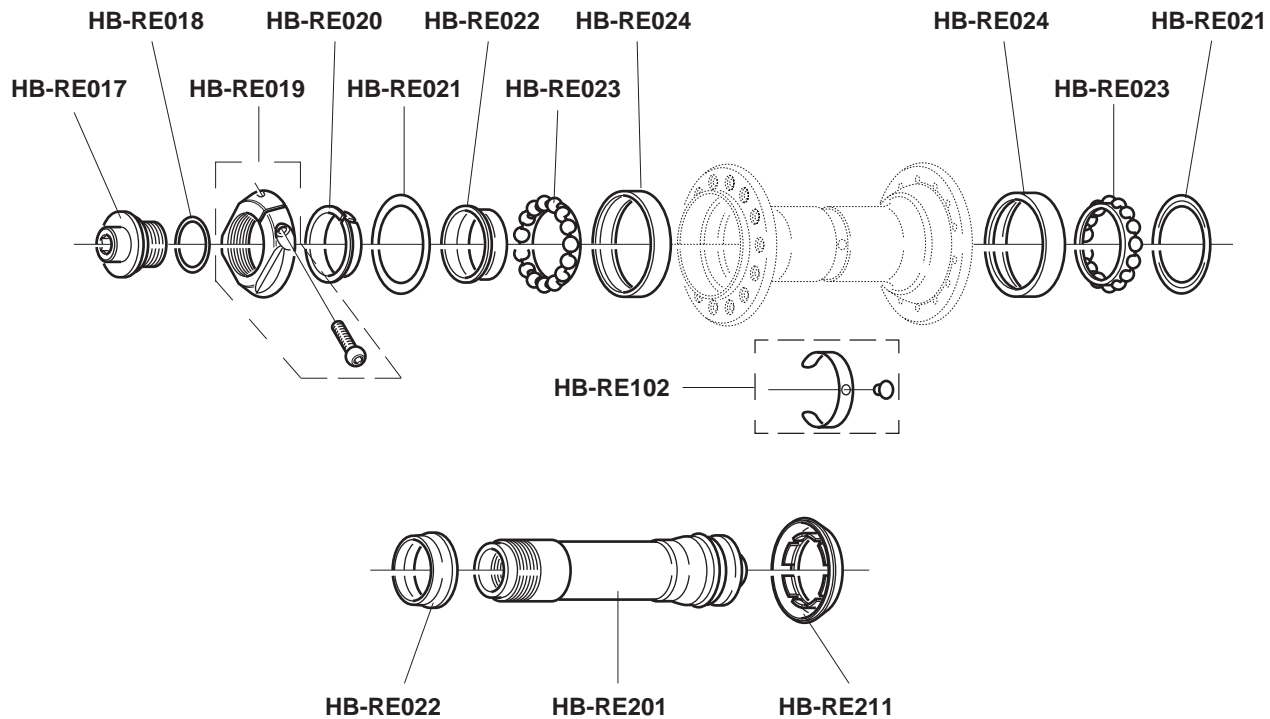
DAYTONA

VELOCE

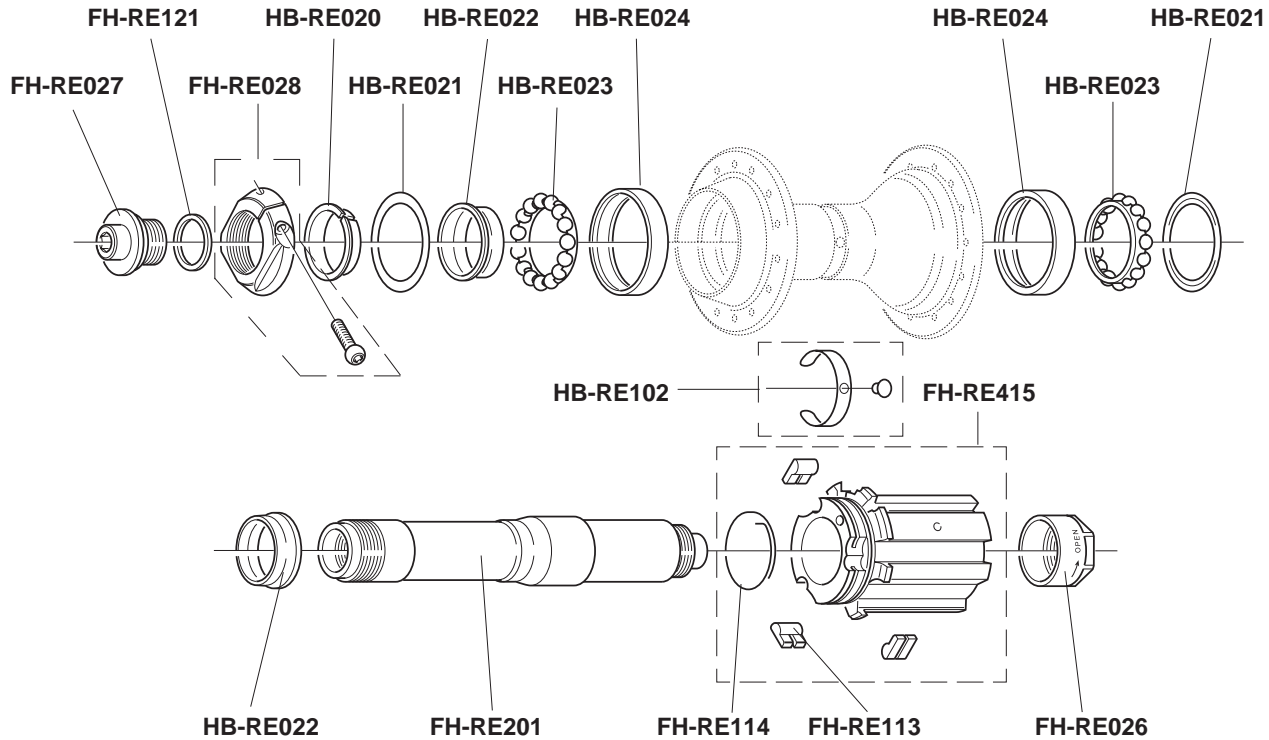
MIRAGE

	FRONT	REAR
<i>DAYTONA</i>	QF-AT101	QR-AT101
<i>VELOCE</i>	QF-VL201	QR-VL201
<i>MIRAGE</i>	QF-VL001	QR-VL001

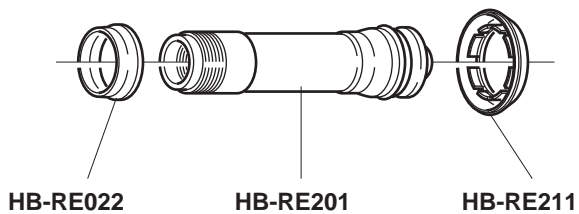
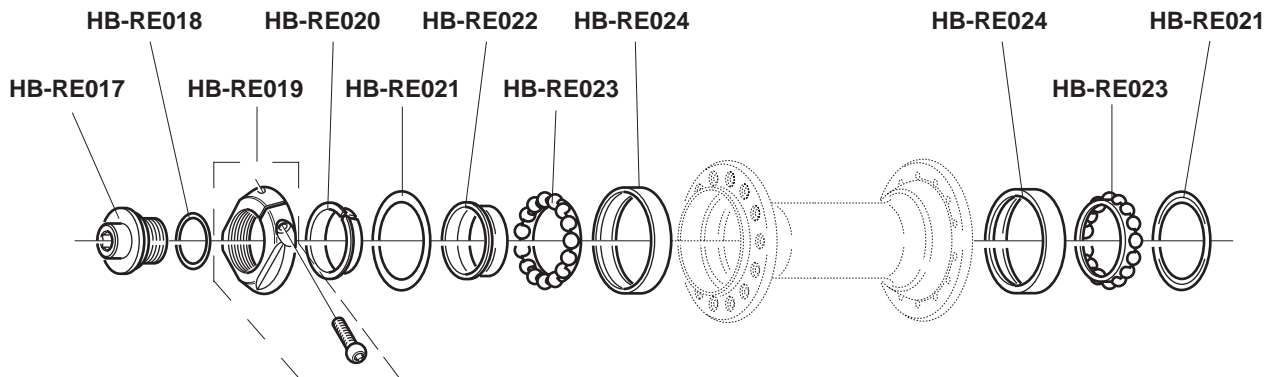
RECORD



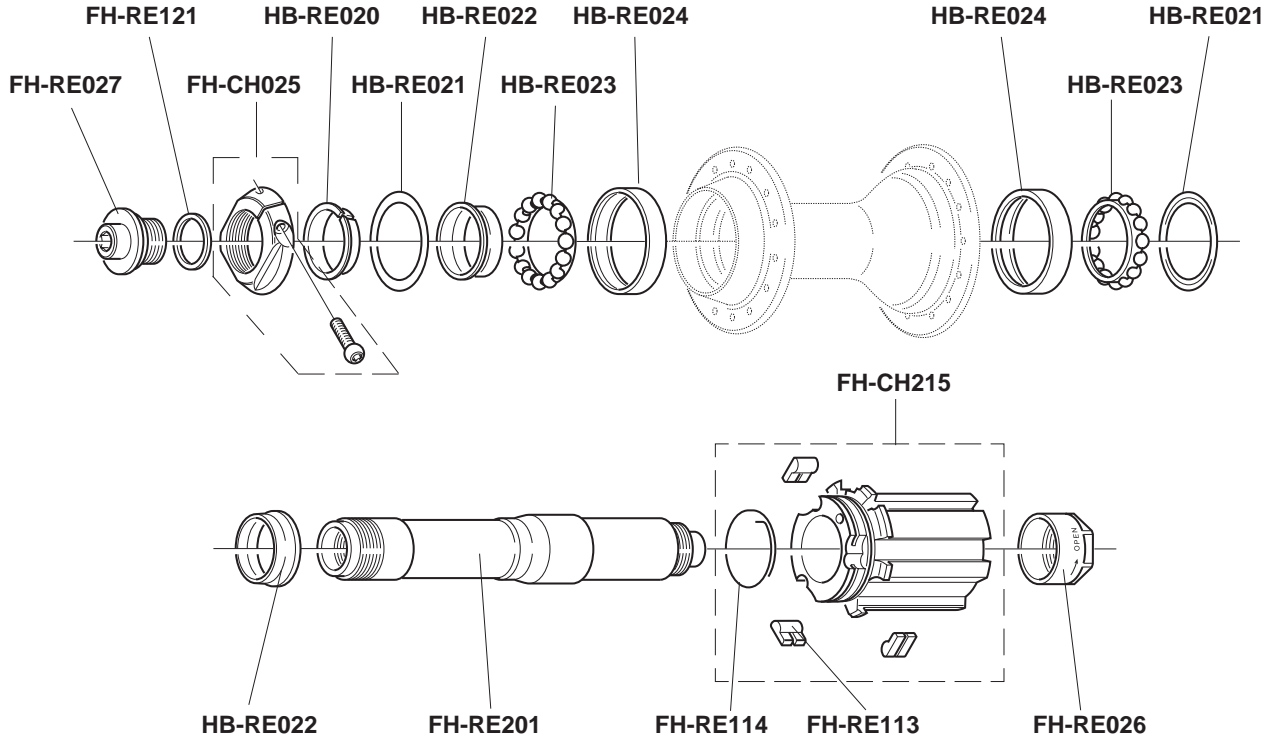
RECORD
9 / 10 SPEED



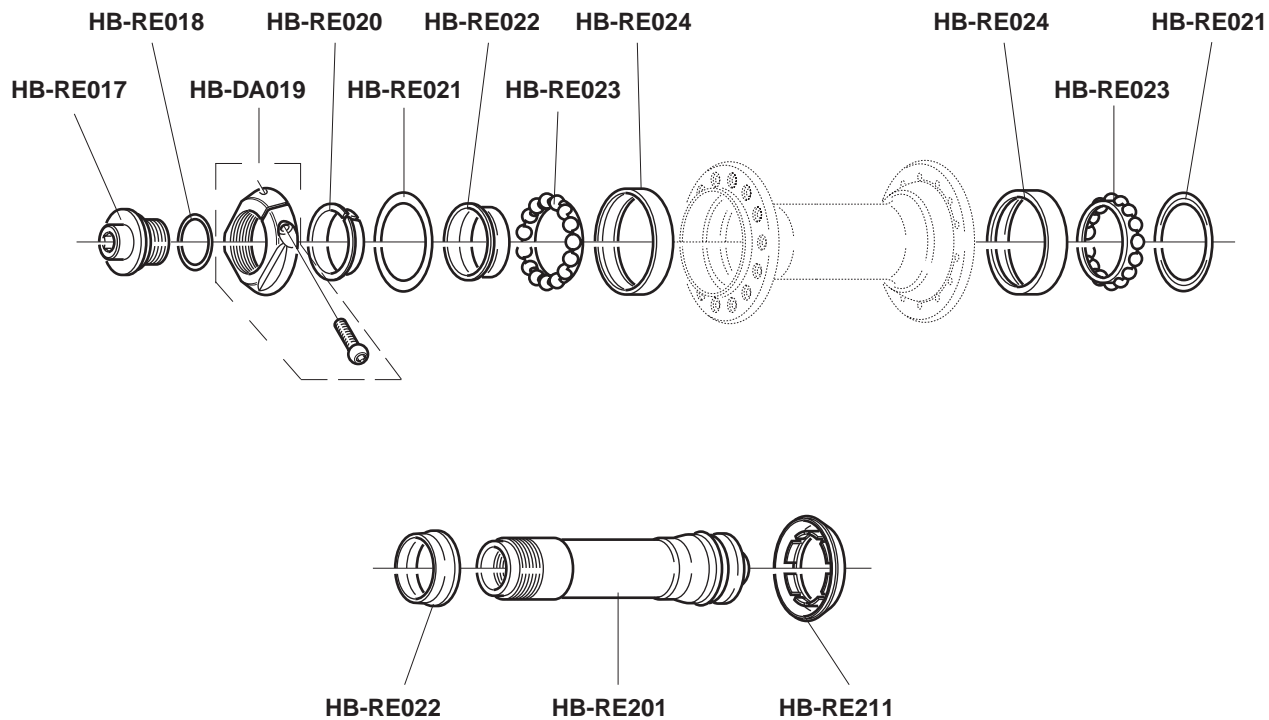
CHORUS



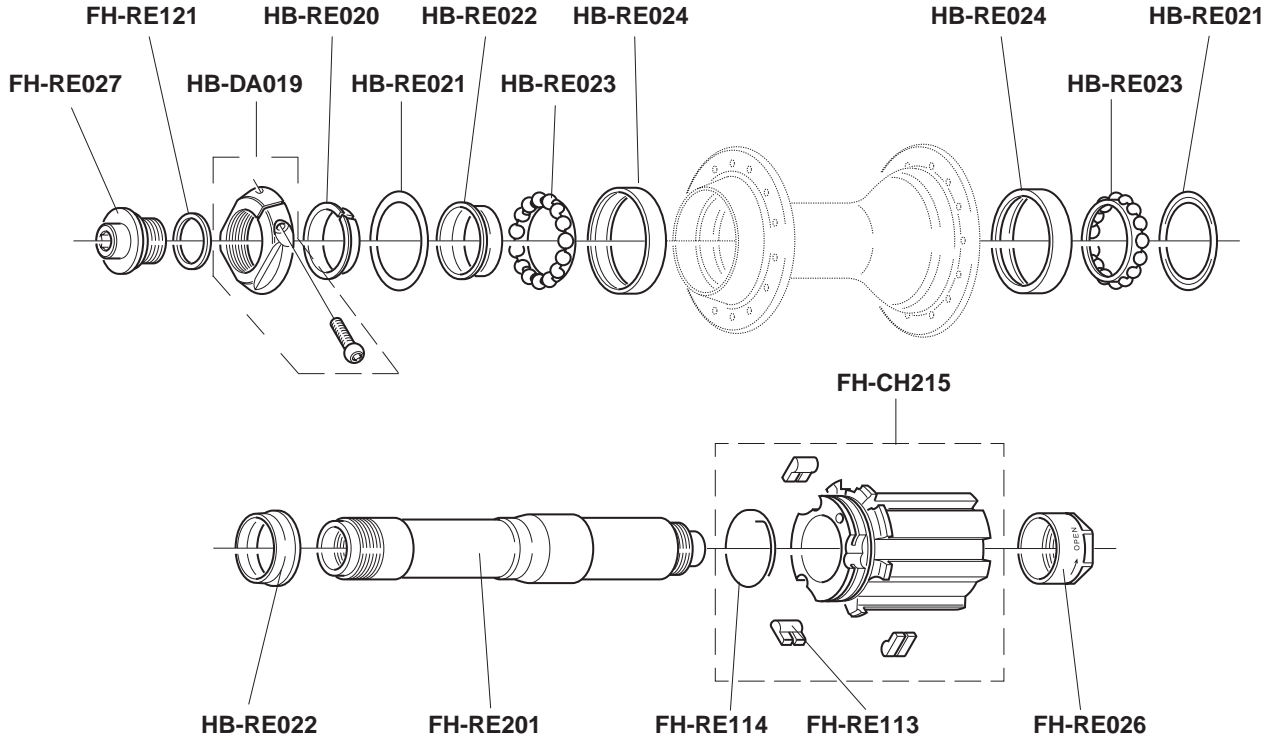
CHORUS
9 / 10 SPEED



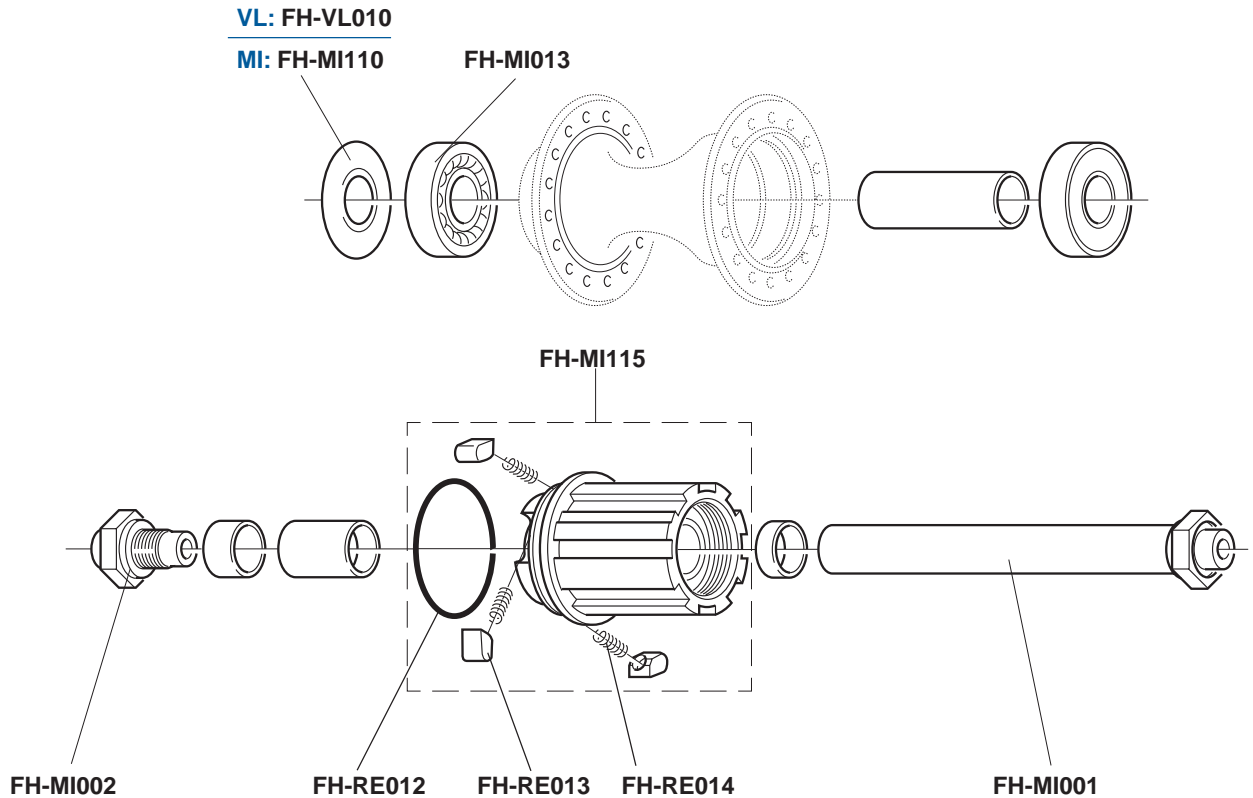
DAYTONA

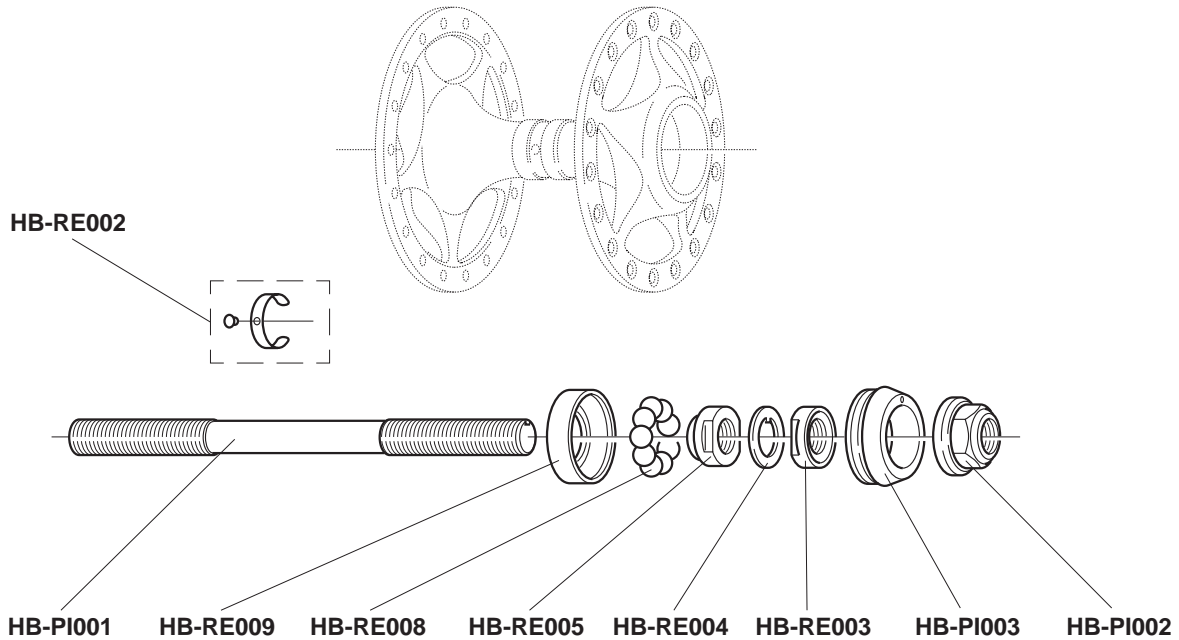


DAYTONA
9 SPEED

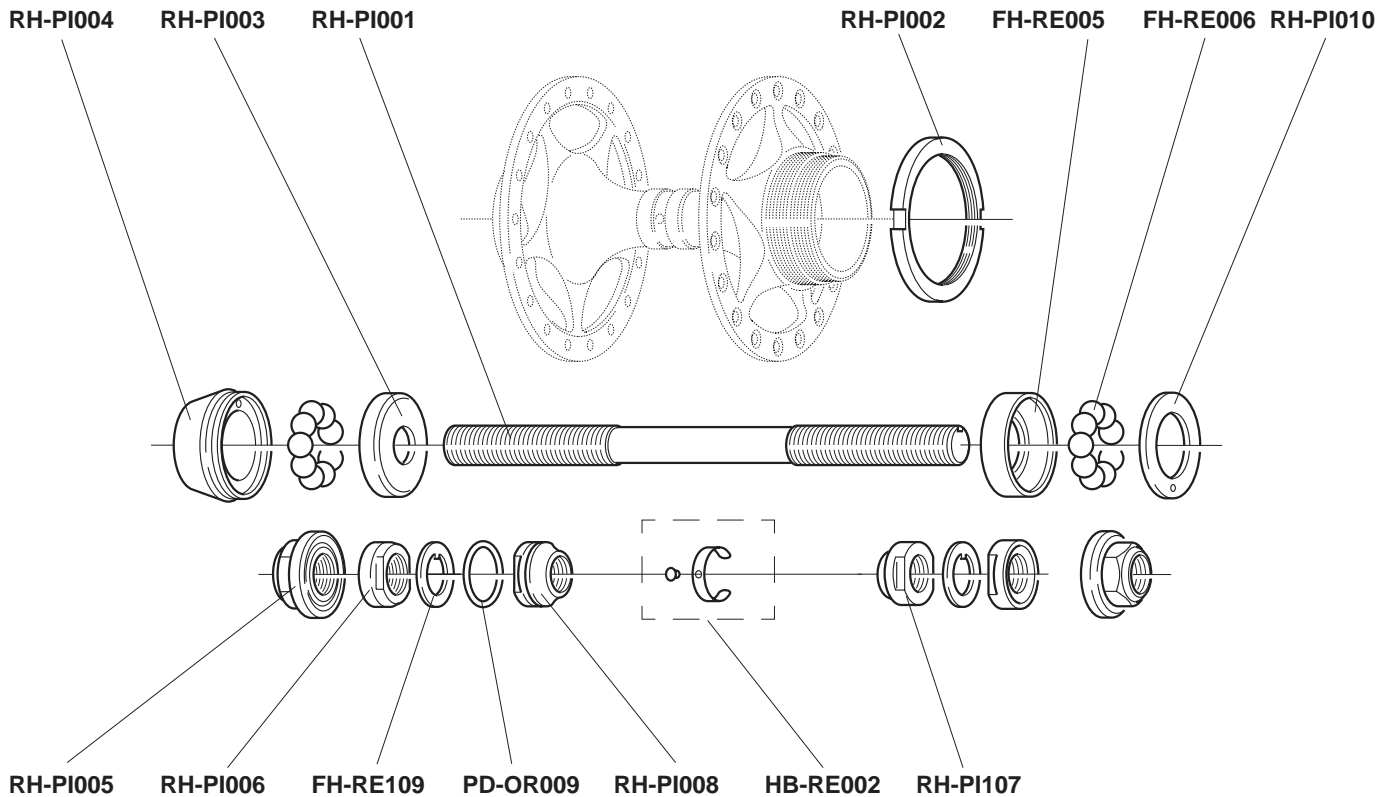


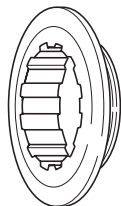
VELOCE 9 SPEED
MIRAGE 9 SPEED





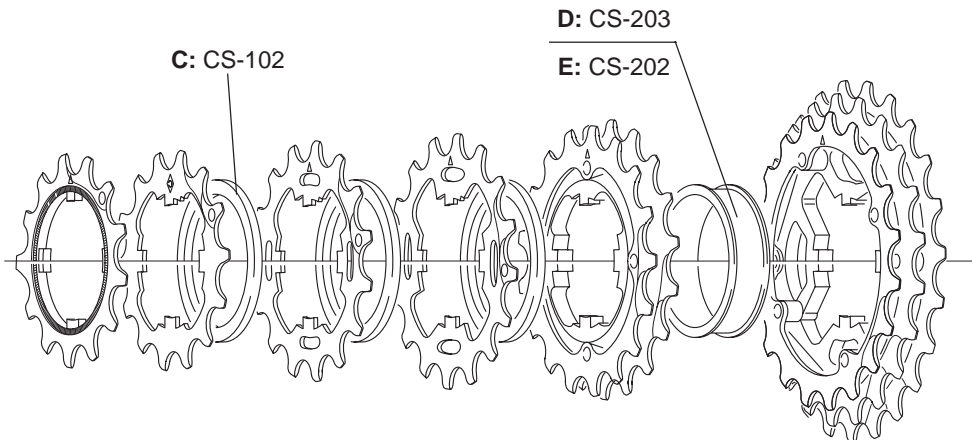
RECORD PISTA





CODE / CODICE	TYPE / TIPO		RANGE / GAMMA	HUB COMPATIBILITY / COMPATIBILITA' MOZZI
CS-401	9 / 10 Speed "oversize" thread / fil.: 27 x 1	steel/acciaio	2000	all groups / tutti i gruppi all wheels / tutte le ruote
			1999	RECORD - CHORUS all wheels / tutte le ruote
CS-501	9 / 10 Speed "oversize" thread / fil.: 27 x 1	steel/acciaio (for Z.11)	2000	all groups / tutti i gruppi all wheels / tutte le ruote
			1999	RECORD - CHORUS all wheels / tutte le ruote
CS-101T	9 / 10 Speed "oversize" thread / fil.: 27 x 1	titanium/titanio	2000	all groups / tutti i gruppi all wheels / tutte le ruote
			1999	RECORD - CHORUS all wheels / tutte le ruote
CS-201	9 Speed thread / fil.: 26 x 1	steel/acciaio	1999	ATHENA - VELOCE - MIRAGE
			1998 / 1997	9 Speed groups / gruppi 9 Speed 9 Speed wheels / ruote 9 Speed
CS-301	9 Speed thread / fil.: 26 x 1	steel/acciaio (for Z.11)	1999	ATHENA - VELOCE - MIRAGE
			1998 / 1997	9 Speed groups / gruppi 9 Speed 9 Speed wheels / ruote 9 Speed
CS-001T	9 Speed thread / fil.: 26 x 1	titanium/titanio	2000	VELOCE - MIRAGE
			1999	ATHENA - VELOCE - MIRAGE
			1998 / 1997	9 Speed groups / gruppi 9 Speed 9 Speed wheels / ruote 9 Speed '97 8 Speed aluminum freewheel body / corpetto RL in alluminio 8 Speed '97
CS-001V	8 Speed thread / fil.: 29 x 1	steel/acciaio	1999 and previous 1999 e precedenti	all 8 Speed hubs (with steel freewheel body) tutti i mozzi 8 Speed (con corpetto RL in acciaio)

RECORD MK2 9 SPEED



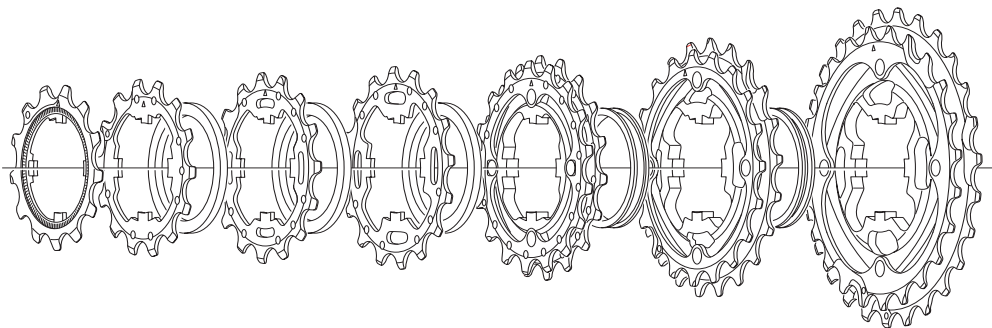
11 - 23	11B-1° 9S-012	12B-2° 9S-122	C	13B 9S-132	C	14B 9S-142	C	15B 9S-152	C	17B-19A* 9S-79B	E	21A-23A* 9S-130T
12 - 21	12A-1° 9S-113	13A 9S-131	C	14A 9S-141	C	15A 9S-151	C	16A-17A-18C* 9S-678	D	19C-21C* 9S-91CT		
12 - 23	12A-1° 9S-113	13A 9S-131	C	14A 9S-141	C	15A 9S-151	C	16A-17A* 9S-670	D	19A-21A-23A* 9S-913AT		
13 - 23	13A-1° 9S-114	14A 9S-141	C	15A 9S-151	C	16A 9S-161	C	17A-18C* 9S-780	D	19C-21C-23C* 9S-913CT		
13 - 26	13A-1° 9S-114	14A 9S-141	C	15A 9S-151	C	16A 9S-161	C	17A-19A* 9S-79A	D	21A-23A-26A* 9S-136T		

* pre-assembled

RECORD 10 SPEED

DISTANZIALI / SPACERS

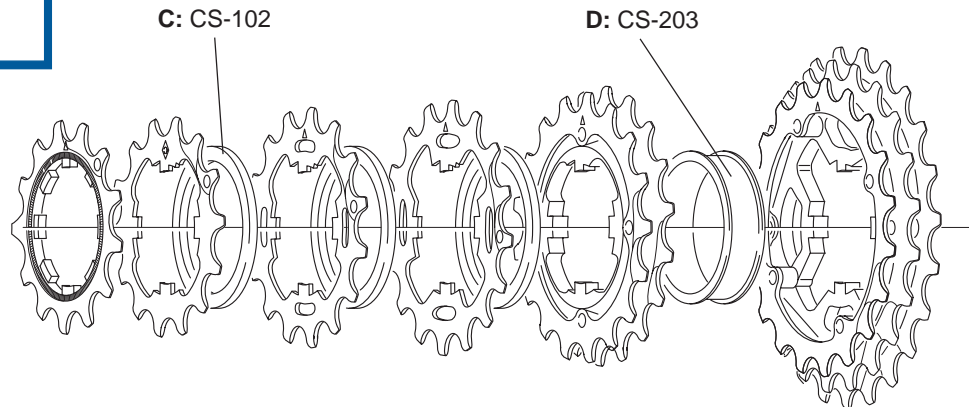
F	CS-600
G	CS-601
H	CS-602
I	CS-603
L	CS-604



11 - 21	11A-1° 10S-011	12A-2° 10S-022		13A 10S-132	F	14A 10S-142	F	15A 10S-152	F	16A 10S-152	G	17A-18C* 10S-78CT	H	19C-21C* 10S-91CT
11 - 23	11A-1° 10S-011	12A-2° 10S-022		13A 10S-132	F	14A 10S-142	F	15A 10S-152	F	16A 10S-152	G	17A-19A* 10S-79AT	H	21A-23A* 10S-13AT
12 - 25	12A-1° 10S-012	13A 10S-131	F	14A 10S-141	F	15A 10S-151	F	16A-17A* 10S-67A	I	19A-21A* 10S-91AT	L	23A-25A* 10S-35AT		
13 - 26	13A-1° 10S-013	14A 10S-141	F	15A 10S-151	F	16A 10S-161	F	17A-18C* 10S-78C	I	19C-21C* 10S-91CT	L	23C-26C* 10S-36CT		
13 - 29	13A-1° 10S-013	14A 10S-141	F	15A 10S-151	F	16A 10S-161	F	17A-19A* 10S-79A	I	21A-23A* 10S-13AT	L	26A-29A* 10S-69AT		

* pre-assembled

**RECORD MK2
TITANIUM
9 SPEED**



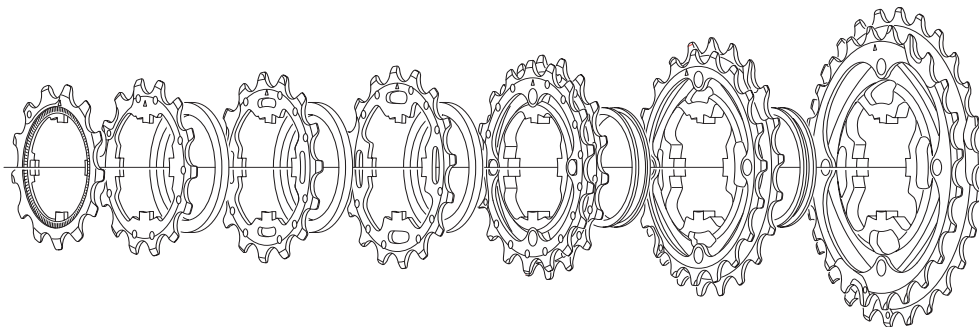
12 - 21	12A-1° 9S-012T	13A 9S-131T	C	14A 9S-141T	C	15A 9S-151T	C	16A-17A-18C* 9S-678T	D	19C-21C* 9S-91CT
12 - 23	12A-1° 9S-012T	13A 9S-131T	C	14A 9S-141T	C	15A 9S-151T	C	16A-17A* 9S-670T	D	19A-21A-23A* 9S-913AT
13 - 23	13A-1° 9S-013T	14A 9S-141T	C	15A 9S-151T	C	16A 9S-161T	C	17A-18C* 9S-780T	D	19C-21C-23C* 9S-913CT
13 - 26	13A-1° 9S-013T	14A 9S-141T	C	15A 9S-151T	C	16A 9S-161T	C	17A-19A* 9S-79AT	D	21A-23A-26A* 9S-136T

* pre-assembled

**RECORD
TITANIUM
10 SPEED**

DISTANZIALI / SPACERS

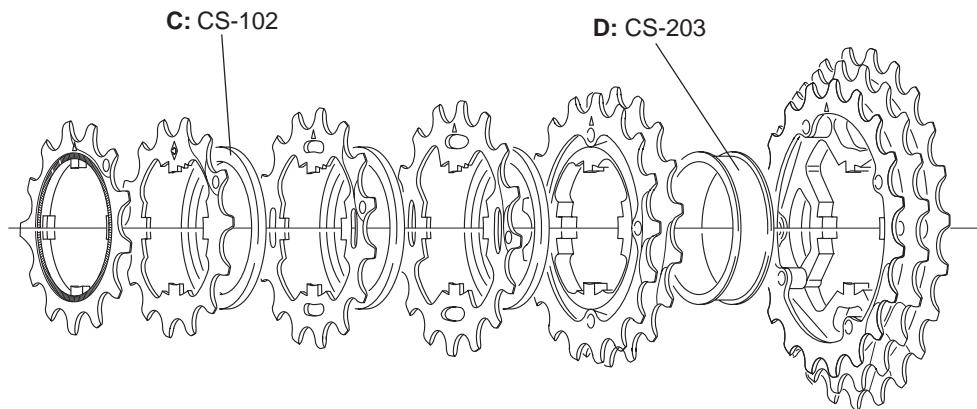
F	CS-600
G	CS-601
H	CS-602
I	CS-603
L	CS-604



11 - 23	11A-1° 10S-011	12A-2° 10S-022T		13A 10S-132T	F	14A 10S-142T	F	15A 10S-152T	F	16A 10S-152T	G	17A-19A* 10S-79AT	H	21A-23A* 10S-13AT
12 - 25	12A-1° 10S-012T	13A 10S-131T	F	14A 10S-141T	F	15A 10S-151T	F	16A-17A* 10S-67AT	I	19A-21A* 10S-91AT	L	23A-25A* 10S-35AT		
13 - 26	13A-1° 10S-013T	14A 10S-141T	F	15A 10S-151T	F	16A 10S-161T	F	17A-18C* 10S-78CT	I	19C-21C* 10S-91CT	L	23C-26C* 10S-36CT		
13 - 29	13A-1° 10S-013T	14A 10S-141T	F	15A 10S-151T	F	16A 10S-161T	F	17A-19A* 10S-79AT	I	21A-23A* 10S-13AT	L	26A-29A* 10S-69AT		

* pre-assembled

CHORUS MK2 9 SPEED



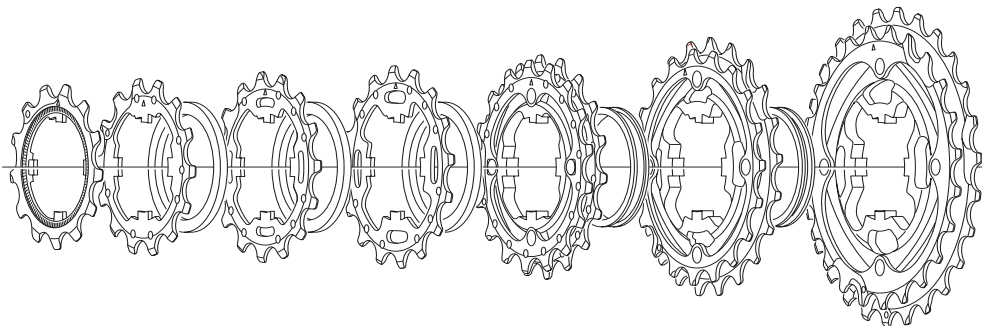
12 - 21	12A-1° 9S-113	13A 9S-131	C	14A 9S-141	C	15A 9S-151	C	16A-17A-18C* 9S-678	D	19C-21C* 9S-91C
12 - 23	12A-1° 9S-113	13A 9S-131	C	14A 9S-141	C	15A 9S-151	C	16A-17A* 9S-670	D	19A-21A-23A* 9S-913A
13 - 23	13A-1° 9S-114	14A 9S-141	C	15A 9S-151	C	16A 9S-161	C	17A-18C* 9S-780	D	19C-21C-23C* 9S-913C
13 - 26	13A-1° 9S-114	14A 9S-141	C	15A 9S-151	C	16A 9S-161	C	17A-19A* 9S-79A	D	21A-23A-26A* 9S-136

* pre-assembled

CHORUS 10 SPEED

DISTANZIALI / SPACERS

F	CS-600
G	CS-601
H	CS-602
I	CS-603
L	CS-604



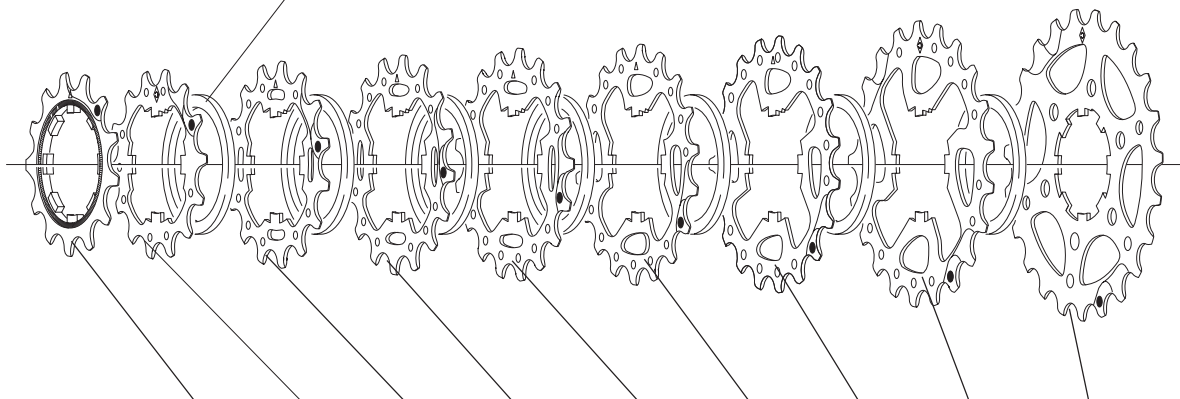
11 - 23	11A-1° 10S-011	12A-2° 10S-022		13A 10S-132	F	14A 10S-142	F	15A 10S-152	F	16A 10S-152	G	17A-19A* 10S-79A	H	21A-23A* 10S-13A
12 - 25	12A-1° 10S-012	13A 10S-131	F	14A 10S-141	F	15A 10S-151	F	16A-17A* 10S-67A	I	19A-21A* 10S-91A	L	23A-25A* 10S-35A		
13 - 26	13A-1° 10S-013	14A 10S-141	F	15A 10S-151	F	16A 10S-161	F	17A-18C* 10S-78C	I	19C-21C* 10S-91C	L	23C-26C* 10S-36C		
13 - 29	13A-1° 10S-013	14A 10S-141	F	15A 10S-151	F	16A 10S-161	F	17A-19A* 10S-79A	I	21A-23A* 10S-13A	L	26A-29A* 10S-69A		

* pre-assembled

**ED-C
9 SPEED**

ED-Z compatible

CS-102



11 - 23	11B-1° 9S-012	12B-2° 9S-022	13B 9S-132	14B 9S-142	15B 9S-152	17B 9S-172	19A 9S-191	21A 9S-211	23A 9S-231
12 - 23	12A-1° 9S-013	13A 9S-131	14A 9S-141	15A 9S-151	16A 9S-161	17A 9S-171	19A 9S-191	21A 9S-211	23A 9S-231
13 - 23	13A-1° 9S-014	14A 9S-141	15A 9S-151	16A 9S-161	17A 9S-171	18C 9S-183	19C 9S-193	21C 9S-213	23C 9S-233
13 - 26	13A-1° 9S-014	14A 9S-141	15A 9S-151	16A 9S-161	17A 9S-171	19A 9S-191	21A 9S-211	23A 9S-231	26A 9S-261
13 - 28	13B-1° 9S-015	14B 9S-142	15B 9S-152	17B 9S-172	19A 9S-191	21A 9S-211	23A 9S-231	25A 9S-251	28A 9S-281

SPROCKETS

VARIOUS

PACCHI PIGNONI RECORD 8 SPEED ----- RECORD 8 SPEED SPROCKET SET	CS99-RE0823	12 - 23
	CS99-RE0833	13 - 23
	CS99-RE0836	13 - 26

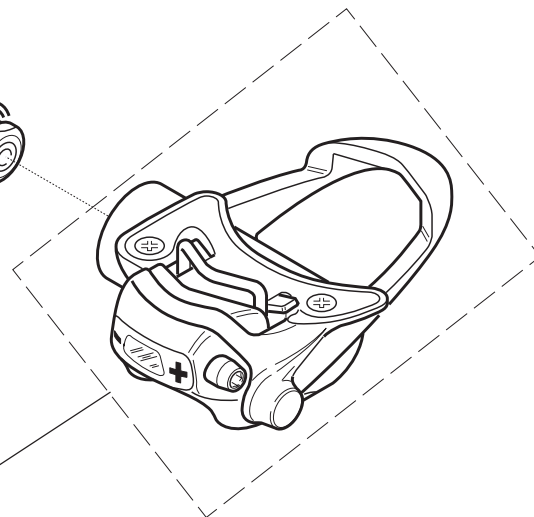
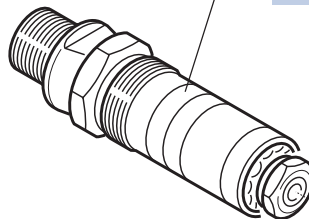
PACCHI PIGNONI PER RUOTA <i>GHIBLI 2000</i> (9 pignoni - spaziatura 10 Speed) ----- SPROCKET SETS FOR <i>2000 GHIBLI WHEEL</i> (9 sprockets - 10 Speed spacing)	CS00-GH0919	11 - 19
	CS00-GH0911	11 - 21
distanziale da 1,2 mm / 1,2 mm spacer	UT-CS040	
distanziale da 4,15 mm / 4,15 mm spacer	CS-600	

**RECORD PRO-FIT
PEDALS
PD00-RE**

**CHORUS PRO-FIT
PEDALS
PD00-CH**

**DAYTONA PRO-FIT
PEDALS
PD00-DA**

RECORD	R	PD-RE203
	L	PD-RE204
CHORUS	R	PD-CH203
	L	PD-CH204
DAYTONA	R	PD-VL103
	L	PD-VL104

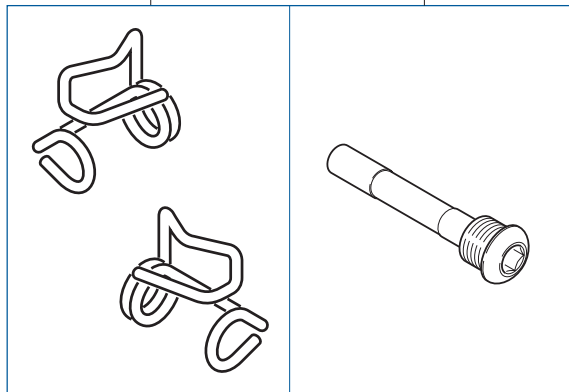


RECORD	R	PD-RE201
	L	PD-RE202
CHORUS	R	PD-CH201
	L	PD-CH202
DAYTONA	R	PD-DA001
	L	PD-DA002

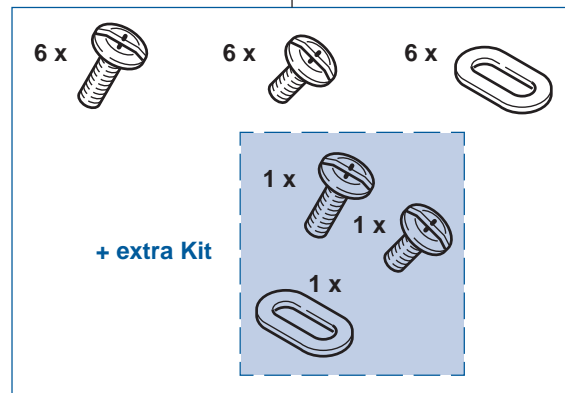
PRO-FIT PEDALS SPARE PARTS

R + L: PD-RE105

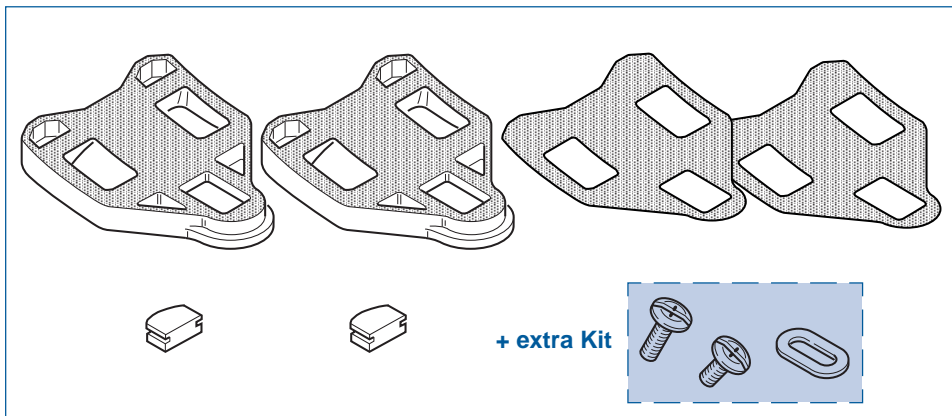
PD-RE107



PD-RE116 (blister)

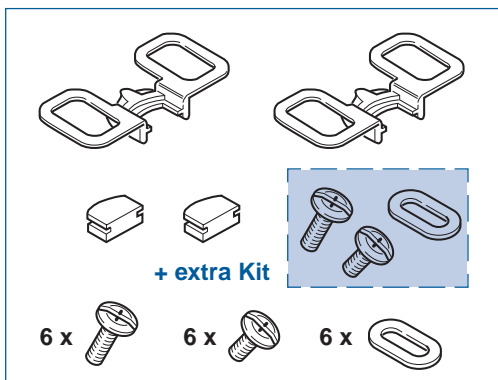


PRO-FIT PEDALS SPARE PARTS








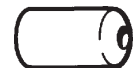

FLOATING CLEATS
PD-RE020
(blister)

FIXED CLEATS
PD-RE021
(blister)



PD-RE200 (blister)

COMPLETE SETS			
ERGOPOWER	<i>RECORD 9 / 10 SPEED</i>		CG-ER201
	<i>CHORUS 9 / 10 SPEED</i>		
	<i>DAYTONA 9 SPEED</i>		CG-ER102
	<i>VELOCE 9 SPEED</i>		
	<i>MIRAGE 9 SPEED</i>		
TRADITIONAL	<i>RECORD 9 SP.</i>	brakes	CG-BR201
		derailleurs	CG-DD101

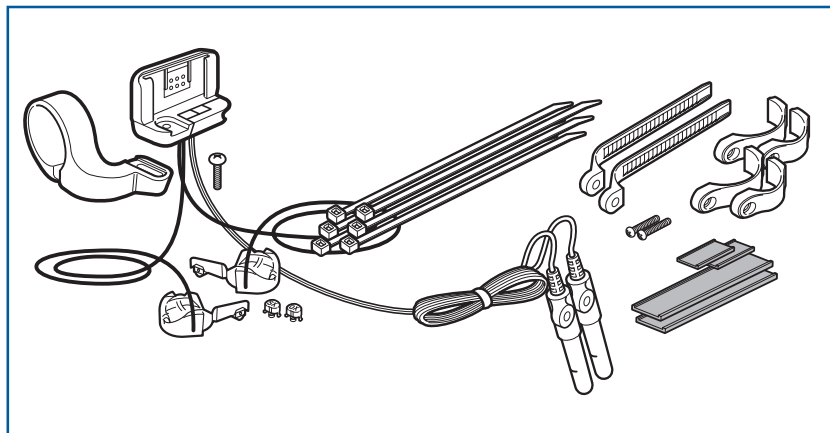
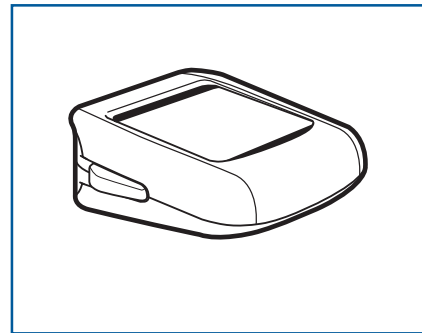
SPARE PARTS		FRONT	REAR	
BRAKES		Ø 1,6 mm L. 800 mm CG-CB003	Ø 1,6 mm L. 1600 mm CG-CB013	
		Ø 5 mm L. 580 mm CG-CS014	Ø 5 mm L. 1250 mm CG-CS002	
		Ø 6 mm CG-CS011 (not sealed/senza guarnizione)		
DERAILLEURS	 Ø 1,2 mm	ERGOPOWER	L. 1600	CG-CB014
		ERGOPOWER	L. 2000	CG-CB009
		SHIFTING LEVERS	L. 830	CG-CB011
		SHIFTING LEVERS	L. 1600	CG-CB014
	 Ø 4,5 mm	ERGOPOWER	L. 680	CG-CS015
		ERGOPOWER	L. 330	CG-CS008
		Ø 5,7 mm CG-CS012 (sealed/con guarnizione)		
	Ø 5,7/4 mm CG-CS013 (sealed/con guarnizione)			

ErgoBrain
ErgoBrain10

MAIN UNIT / SOLO COMPUTER

ErgoBrain CI00-EB09C1

ErgoBrain10 CI00-EB10C2

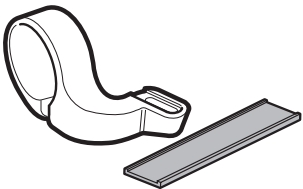
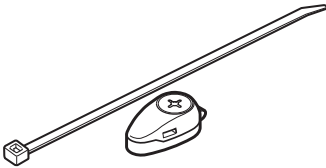
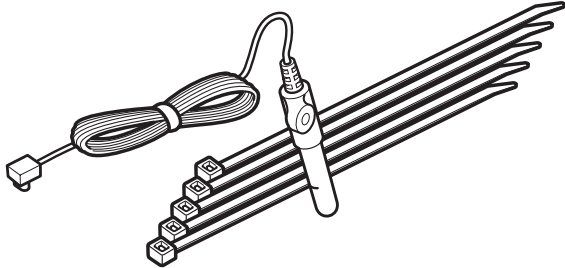
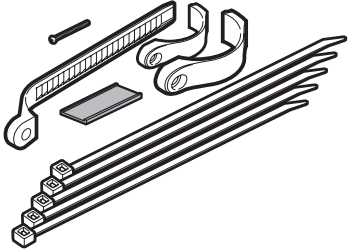

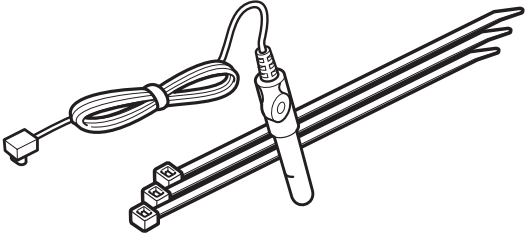


ASSEMBLING KIT / KIT D'INSTALLAZIONE

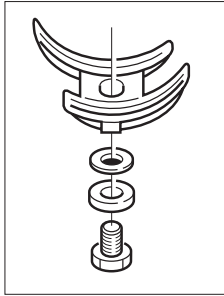
ErgoBrain CI00-EB09B1

ErgoBrain10 CI00-EB10B2

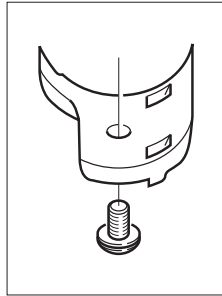


		
<p>32mm arm / fascetta 32mm CI-EB001</p>	<p>CDC magnet / magnete cadenza CI-EB003</p>	<p>CDC sensor / sensore cadenza CI-EB006</p>
		
<p>Sensor attachment / Fascette sensori CI-EB002</p>	<p>SPD magnet / magnete velocità CI-EB005</p>	<p>SPD sensor / sensore velocità CI-EB007</p>

CABLE GUIDE PLATES

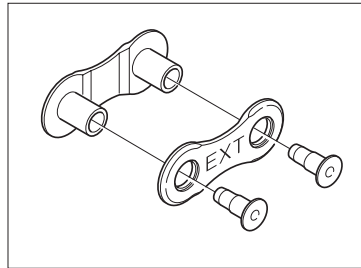


AI-00CD (stainless steel)

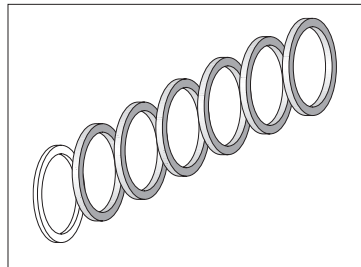


AI-12CD (resin)

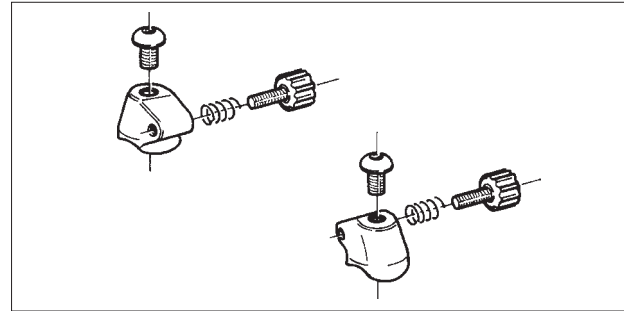
Perma-Link
for **10 SPEED** chain
CN-RE100
(blister-packed)



8 SPEED
ADAPTER KIT
for **9 / 10 SPEED**
hubs and wheels
KIT-03

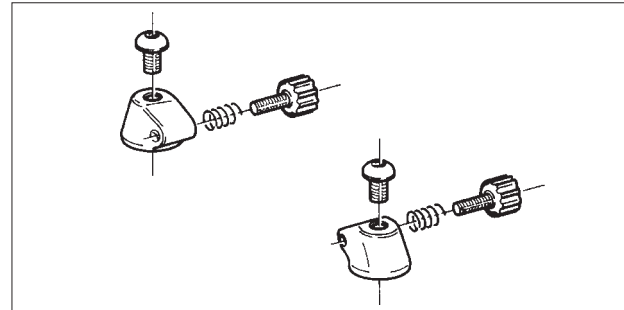


ERGOPOWER BLOCKS



FOR STEEL FRAME

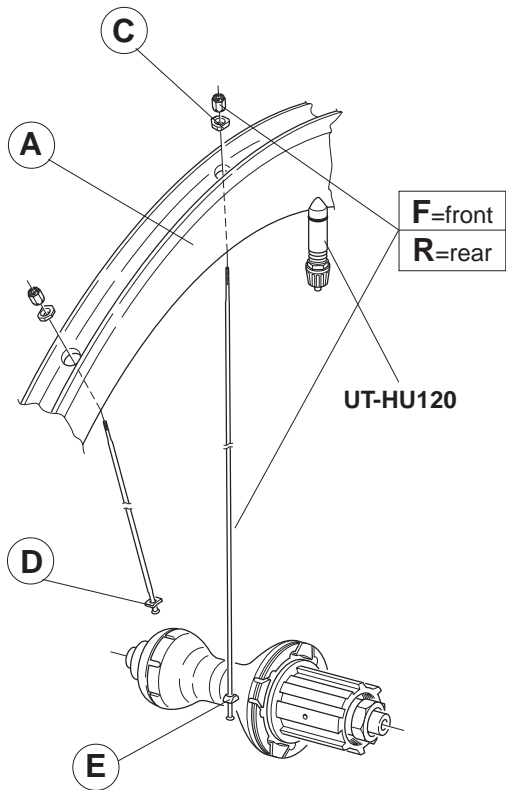
Aluminium: **EC-RE001** Resin: **EC-AT001**



FOR CARBON FRAME

Aluminium: **EC-RE002** Resin: **EC-AT002**

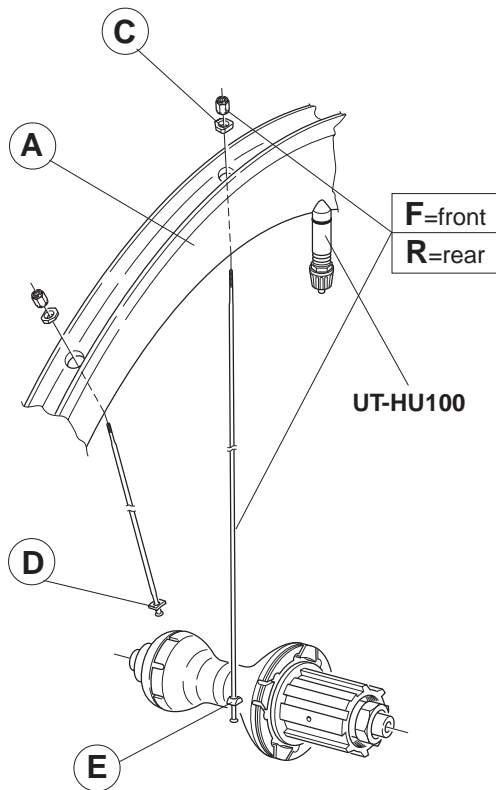
BORA 9 / 10 SPEED



	COMPLETE WHEELS	A	compl. KIT (F + C + D)	compl. KIT (R + C + D + E)	MINI-KIT
FRONT	WH99-BOTF tubular 28"	WH-201BO	KIT-11BO (16F+16C+16D)		KIT-100BO (2 F + 2 R right + 2 R left + 6 C + 4 D + 2 E)
REAR	WH99-BOTR tubular 28"	WH-301BO		KIT-12BO (9 R right + 9 R left + 18 C + 9 D + 9 E)	

	COMPLETE WHEELS	F	R right	R left
FRONT	WH99-BOTF tubular 28"	L. 278 mm		
REAR	WH99-BOTR tubular 28"		L. 277 mm	L. 278 mm

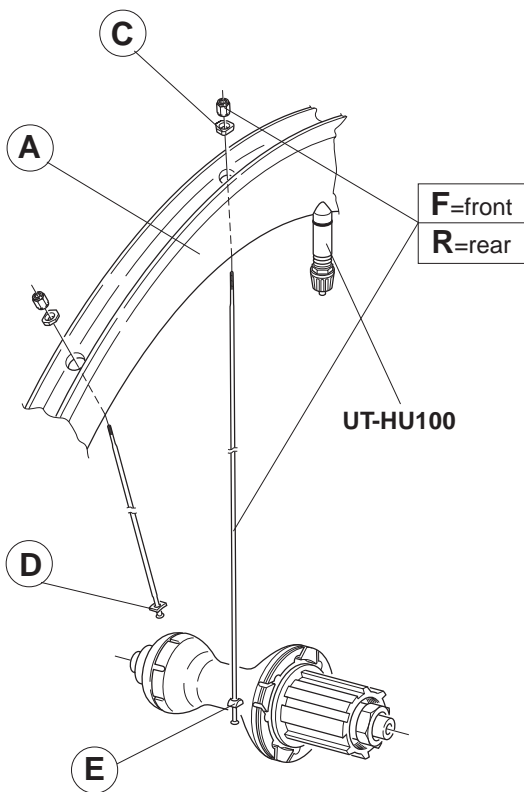
SHAMAL 9 / 10 SPEED



	COMPLETE WHEELS	A	compl. KIT (F + C + D)	compl. KIT (R + C + D + E)	MINI-KIT
FRONT	WH99-SMTF tubular 28"	WH-201SM	KIT-11SM (16 F+16 C+16D)		KIT-100SM (2 F + 2 R right + 2 R left + 6 C + 4 D + 2 E)
	WH99-SMCF clincher 28"	WH-401SM			
REAR	WH99-SMTR tubular 28"	WH-301SM		KIT-12SM (9 R right + 9 R left + 18 C + 9 D + 9 E)	
	WH99-SMCR clincher 28"	WH-501SM			

	COMPLETE WHEELS	F	R right	R left
FRONT	WH99-SMTF tubular 28"	L. 283 mm		
	WH99-SMCF clincher 28"	L. 283 mm		
REAR	WH99-SMTR tubular 28"		L. 283 mm	L. 283 mm
	WH99-SMCR clincher 28"		L. 283 mm	L. 283 mm

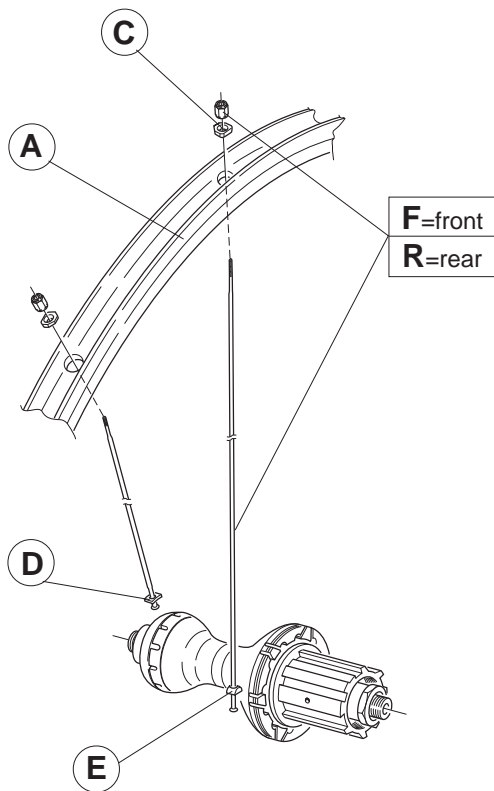
VENTO 9 / 10 SPEED



	COMPLETE WHEELS	A	compl. KIT (F + C + D)	compl. KIT (R + C + D + E)	MINI-KIT
FRONT	WH99-VECF clincher 28"	WH-102VE	KIT-01VE (16 F+16 C+16D)		KIT-100VE
REAR	WH99-VECR clincher 28"				

	COMPLETE WHEELS	F	R right	R left
FRONT	WH99-VECF clincher 28"	L. 283 mm		
REAR	WH99-VECR clincher 28"		L. 283 mm	L. 283 mm

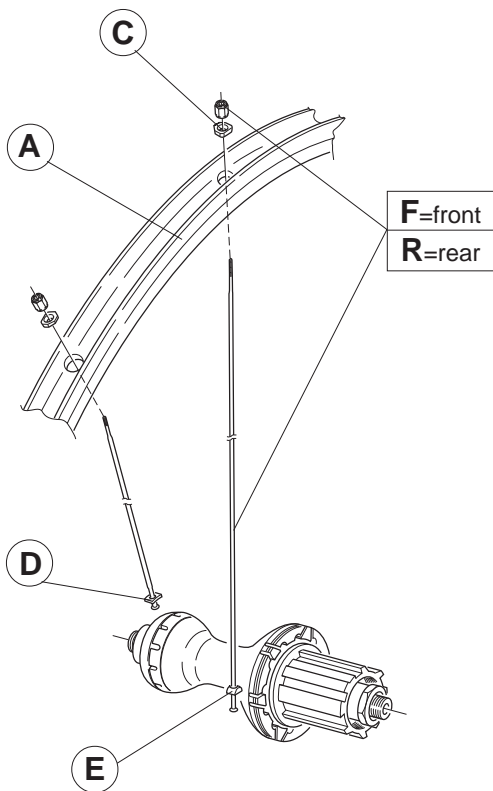
NUCLEON 9 / 10 SPEED



	COMPLETE WHEELS	A	compl. KIT (F + C + D)	compl. KIT (R + C + D + E)	MINI-KIT
FRONT	WH99-NUTF tubular 28"	WH-201NU	KIT-01NU (24 F+24 C+24D)		tubular KIT-100NU (2 F + 2 R right + 2 R left + 6 C + 4 D + 2 E)
	WH99-NUCF clincher 28"	WH-401NU	KIT-03NU (24 F+24 C+24D)		
REAR	WH99-NUTR tubular 28"	WH-301NU		KIT-02NU (13 R right + 13 R left + 24 C + 12 D + 12 E)	clincher KIT-200NU (2 F + 2 R right + 2 R left + 6 C + 4 D + 2 E)
	WH99-NUCR clincher 28"	WH-501NU		KIT-04NU (13 R right + 13 R left + 24 C + 12 D + 12 E)	

	COMPLETE WHEELS	F	R right	R left
FRONT	WH99-NUTF tubular 28"	L. 298 mm		
	WH99-NUCF clincher 28"	L. 294,5 mm		
REAR	WH99-NUTR tubular 28"		L. 301 mm	L. 298 mm
	WH99-NUCR clincher 28"		L. 296,5 mm	L. 294,5 mm

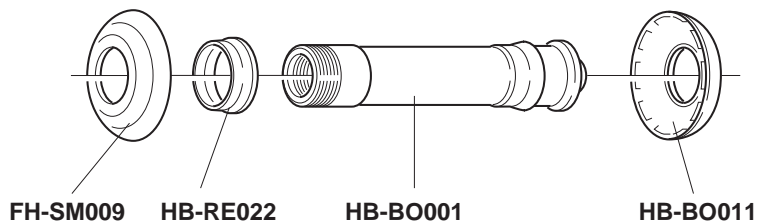
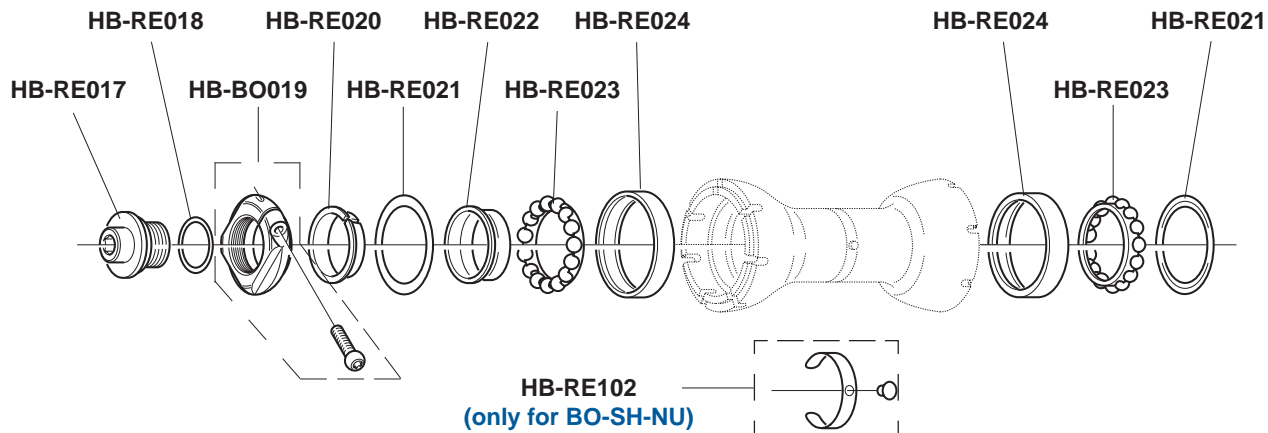
ELECTRON 9 / 10 SPEED



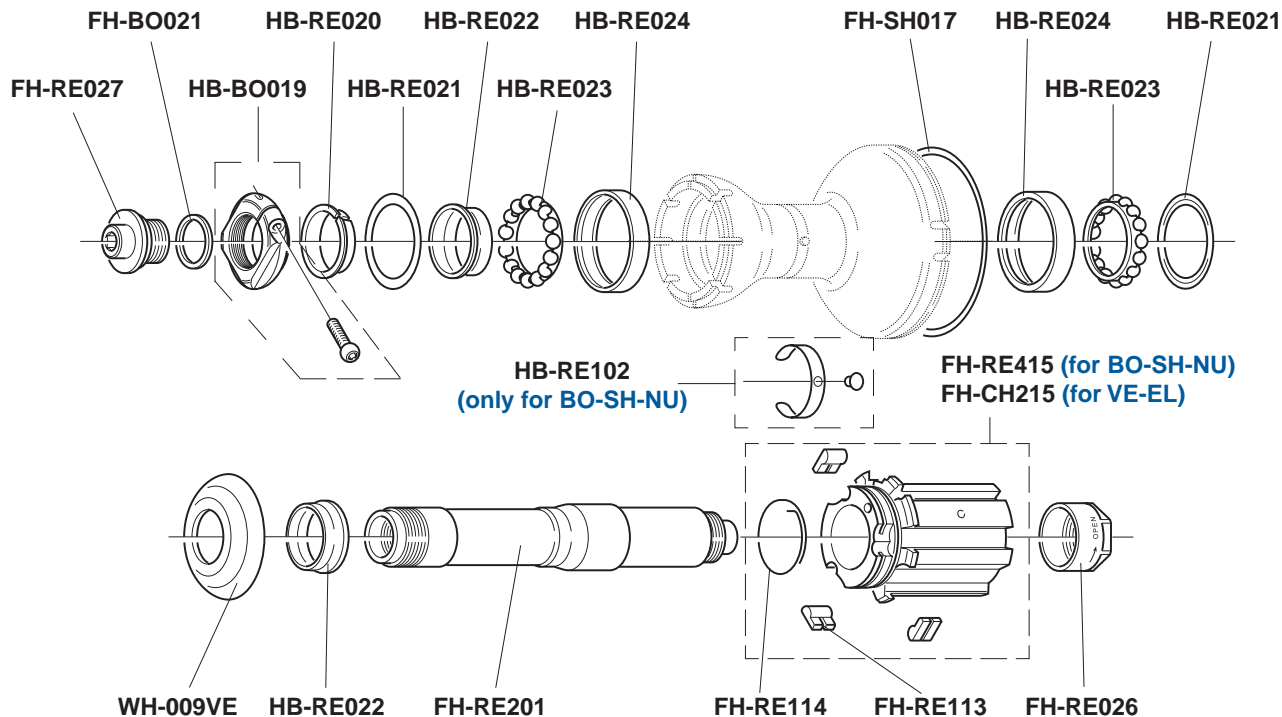
	COMPLETE WHEELS	A	compl. KIT (F + C + D)	compl. KIT (R + C + D + E)	MINI-KIT
FRONT	WH99-ELCF clincher 28"	WH-102EL	KIT-01EL (24 F + 24 C + 24 D)		KIT-100EL (2 F + 2 R right + 2 R left + 6 C + 4 D + 2 E)
REAR	WH99-ELCR clincher 28"	WH-103EL		KIT-02EL (13 R right + 13 R left + 26 C + 13 D + 13 E)	

	COMPLETE WHEELS	F	R right	R left
FRONT	WH99-ELCF clincher 28"	L. 295 mm		
REAR	WH99-ELCR clincher 28"		L. 296,5 mm	L. 295 mm

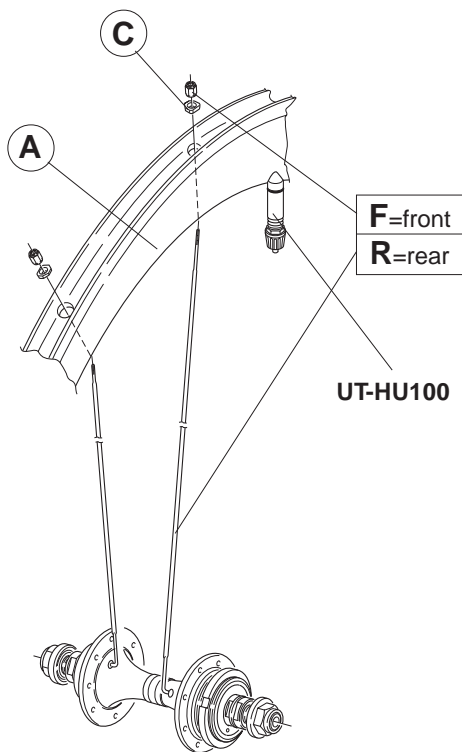
MOZZO ANTERIORE
BORA - SHAMAL - VENTO - NUCLEON - ELECTRON
FRONT HUB



MOZZO POSTERIORE BORA - SHAMAL - VENTO - NUCLEON - ELECTRON REAR HUB



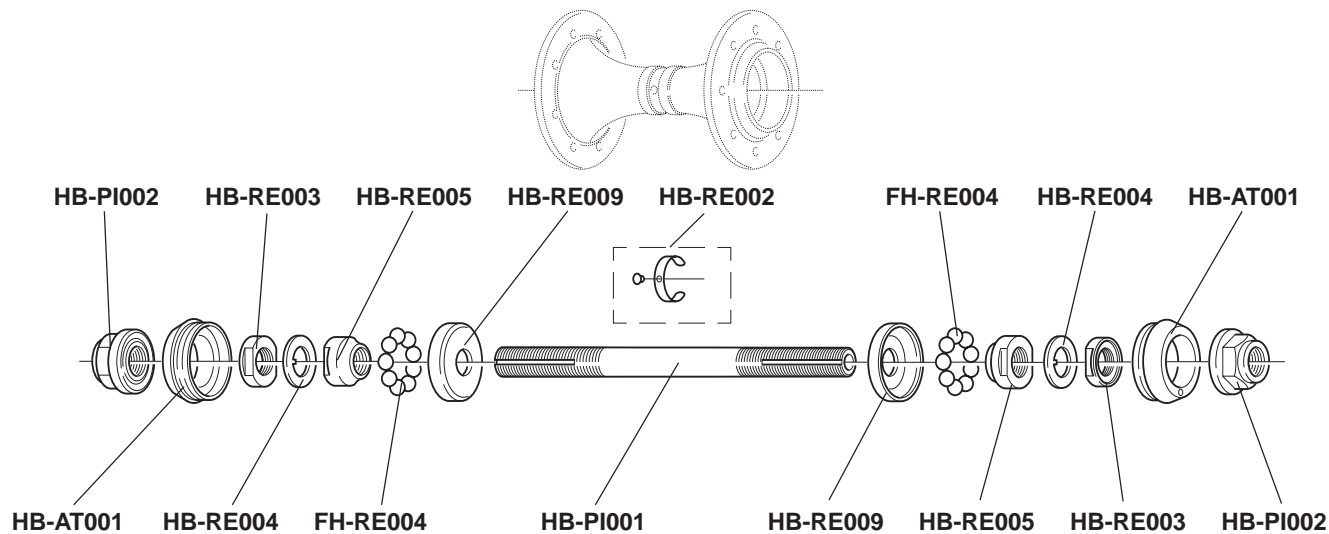
SHAMAL PISTA



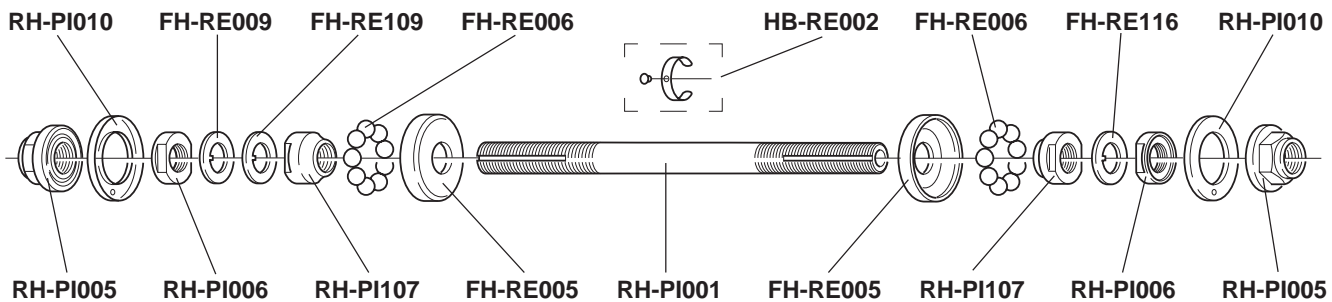
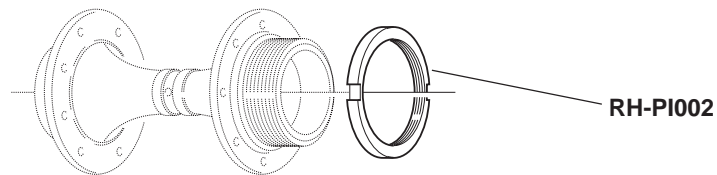
	COMPLETE WHEELS	A	compl. KIT (F + C)	compl. KIT (R + C)	MINI-KIT
FRONT	WH00-SMPTF tubular 28"	WH-126SM	KIT-13SM (16F+16C)		KIT-100SMP (2 F + 2 R right + 2 R left + 6 C)
REAR	WH00-SMPTR tubular 28"	WH-127SM		KIT-14SM (9 R right + 9 R left + 18 C)	

	COMPLETE WHEELS	F	R right	R left
FRONT	WH00-SMPTF tubular 28"	L. 278 mm		
REAR	WH00-SMPTR tubular 28"		L. 282 mm	L. 283 mm

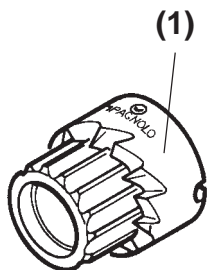
**SHAMAL
PISTA**



**SHAMAL
PISTA**



HEADSET



Doppia fresa sedi calotte per attrezzo UT-HS090 (Ø 1")

UT-HS093: standard

UT-HS094: con inserti in metallo duro

Double cutter cup seats for tool UT-HS090 (Ø 1")

UT-HS093: standard

UT-HS094: with hard metal inserts

Fraise double pour sièges cuvettes pour outil UT-HS090 (Ø 1")

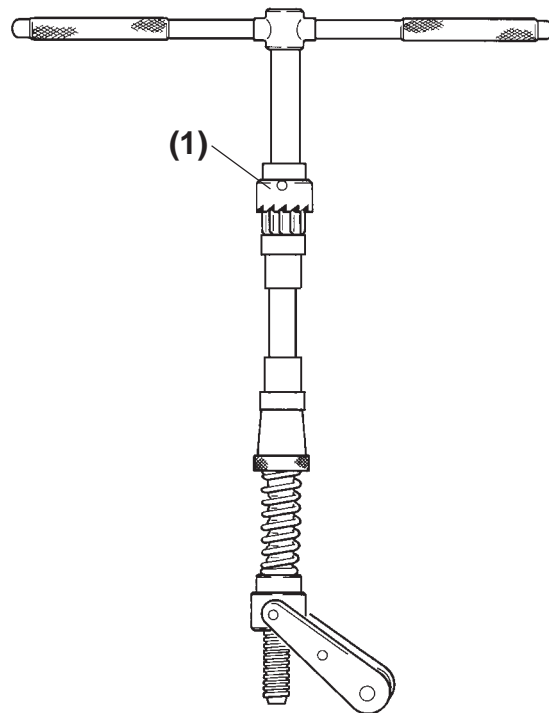
UT-HS093: standard

UT-HS094: avec inserts métal dur

Doppelfräser für Gabelkonus für Werkzeug UT-HS090 (Ø 1")

UT-HS093: Standard

UT-HS094: mit aufgetragenen Hartmetallplättchen



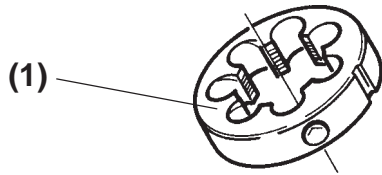
UT-HS090: Attrezzo fresatura tubo sterzo, montaggio calotta inferiore e cono superiore serie sterzo 1" - completo di doppia fresa standard (1)

UT-HS090: Tool for milling steering tube, for fitting bottom cup and top cone 1" headset - with standard double cutter (1)

UT-HS090: Outil pour fraisage tube de direction, montage cuvette inférieure et cône supérieur jeux de directions 1" - avec fraise double standard (1)

UT-HS090: Steuersatz-Fräswerkzeug - mit Standard-Doppelfräser (1) - für 1" Steuerschalensitz

HEADSET



UT-HS021: Filiera per attrezzo ripasso forcella
UT-HS020 (1")

UT-HS021: Cutter for recutting fork thread tool
UT-HS020 (1")

UT-HS021: Filière pour outil repassage fourche UT-
HS020 (1")

UT-HS021: Gewindeschneider für Werkzeug UT-HS020
(1") zum Nachschneiden für Gabelschaftrohr



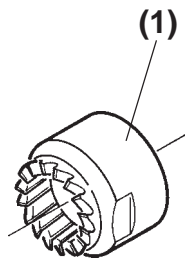
UT-HS020: Attrezzo per ripasso filetto forcelle per sterzi 1",
con filiera (1)

UT-HS020: Tool for recutting fork thread for 1" head sets, with
threader (1)

UT-HS020: Outil pour repassage filetage fourche pour jeux de
directions 1", avec filière (1)

UT-HS020: Werkzeug zum Nachschneiden von
Gabelschaftgewinde, mit Gewindeschneider (1), für Ø 1"
Steuersatz

HEADSET



Fresa per attrezzo UT-HS030 Ø 1"

UT-HS031: standard

UT-HS032: con inserti in metallo duro

Cutter for tool UT-HS030 Ø 1"

UT-HS031: standard

UT-HS032: with hard metal inserts

Fraise pour outil UT-HS030 Ø 1"

UT-HS031: standard

UT-HS032: avec inserts métal dur

Ø 1" Fräser für UT-HS030 Werkzeug

UT-HS031: Standard

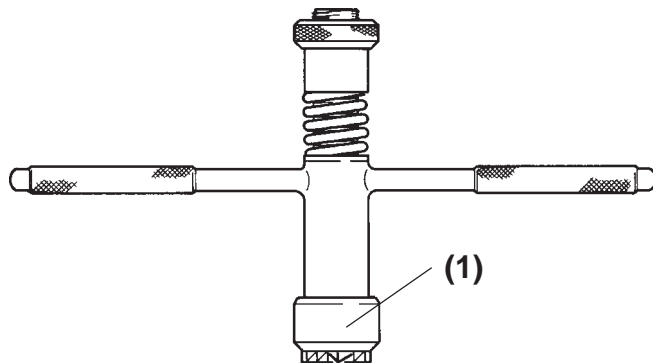
UT-HS032: mit aufgetragenen Hartmetallplättchen

UT-HS030: Attrezzo per fresatura sede cono forcella per serie sterzo 1" con fresa standard (1)

UT-HS030: Tool for milling fork bottom cone seat for 1" head sets with standard cutter (1)

UT-HS030: Outil pour le fraisage siège cône de fourche pour directions 1" avec fraise standard (1)

UT-HS030: Gabelkonus-Fräswerkzeug für 1" Steuersitz mit Standardfräser (1)



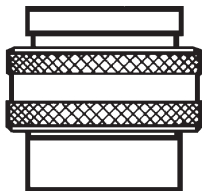
UT-HS080: Calibro controllo sede cono forcelle Ø 26,4 mm

UT-HS080: Gauge for checking fork cone seat 26,4 mm Ø

UT-HS080: Calibre de contrôle siège cône de fourche Ø 26,4 mm

UT-HS080: Kontrolllehre für Gabelkonussitz Ø 26,4 mm

HEADSET



UT-HS070: Calibro controllo sedi coni e calotte sterzi 1"

UT-HS070: Gauge for checking cone and cup seats 1" head sets

UT-HS070: Calibre de contrôle sièges cônes et cuvettes jeux de directions 1"

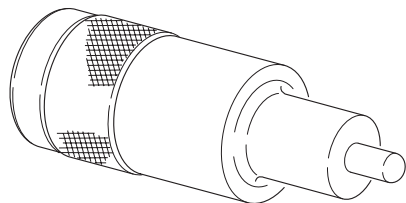
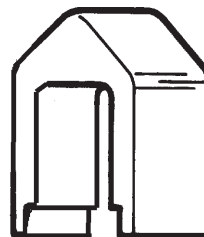
UT-HS070: Kontrolllehre für Gabelkonus und 1" Steuerschalensitz

UT-HS060: Estrattore cono forcella serie sterzo

UT-HS060: head set crown race remover

UT-HS060: Extracteur cône de fourche pour jeux de directions

UT-HS060: Abschläger für Gabelkonus für Steuersatz



UT-HS100: Attrezzo montaggio serie sterzo Ø 1" per canotto non filettato

UT-HS100: Tool for installing Ø 1" headset for unthreaded steerers

UT-HS100: Outil pour montage jeu de direction Ø 1" pour tube de fourche non fileté

UT-HS100: Werkzeug zur Ø 1" Steuersatzmontage für gewindelosen Gabelschaft

HEADSET



UT-HS040: Punzone per montaggio cono forcella, per serie sterzo Ø 1"

UT-HS040: Punch for installing fork cone, for Ø 1" headset

UT-HS040: Outil pour montage cône de fourche, pour jeux de directions Ø 1"

UT-HS040: Aufschläger für Montage von Gabelkonus, für Ø 1" Steuersatz



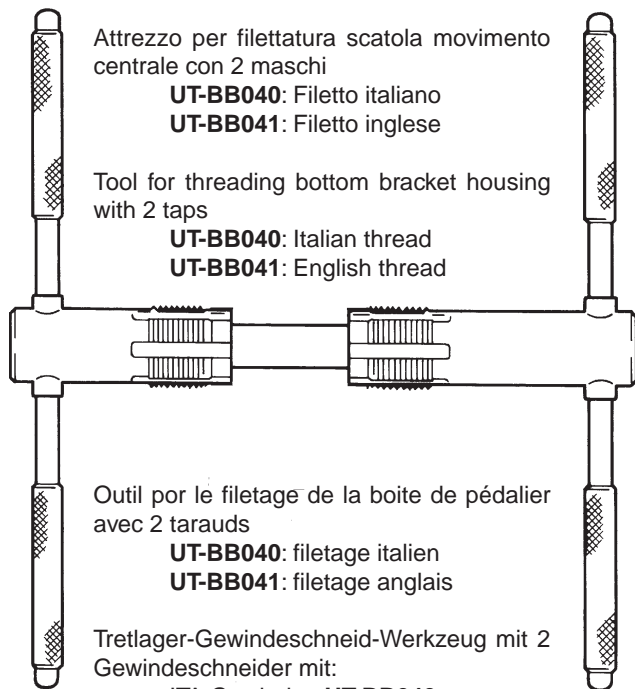
UT-HS050: Estrattore calotta inferiore e cono superiore, per serie sterzo Ø 1"

UT-HS050: Extractor for lower head set cup and race, for Ø 1" headset

UT-HS050: Extracteur cuvette inférieure et cône supérieur, pour jeux de directions Ø 1"

UT-HS050: Austreiber für oberen Konus und untere Lagerschale, für Ø 1" Steuersatz

BOTTOM BRACKET



Attrezzo per filettatura scatola movimento centrale con 2 maschi

UT-BB040: Filetto italiano

UT-BB041: Filetto inglese

Tool for threading bottom bracket housing with 2 taps

UT-BB040: Italian thread

UT-BB041: English thread

Outil por le filetage de la boite de pédalier avec 2 tarauds

UT-BB040: filetage italien

UT-BB041: filetage anglais

Tretlager-Gewindeschneid-Werkzeug mit 2 Gewindeschneider mit:

ITA Gewinde **UT-BB040**

BSA Gewinde **UT-BB041**

UT-BB045: Maschio filetto italiano (1 pz.)

UT-BB046: Maschio filetto inglese destro (1 pz.)

UT-BB047: Maschio filetto inglese sinistro (1 pz.)

UT-BB045: Tap for Italian thread (1pc.)

UT-BB046: Tap for English thread right-hand (1pc.)

UT-BB047: Tap for English thread left-hand (1pc.)

UT-BB045: Taraud filetage italien (1 pc.)

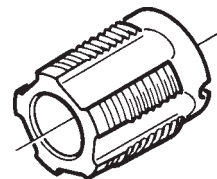
UT-BB046: Taraud filetage anglais droit (1 pc.)

UT-BB047: Taraud filetage anglais gauche (1 pc.)

UT-BB045: ITA Gewindeschneider (1 St.)

UT-BB046: BSA Gewindeschneider rechts (1 St.)

UT-BB047: BSA Gewindeschneider links (1 St.)



BOTTOM BRACKET

UT-BB052: 2 manicotti filettati di guida per attrezzo UT-BB050, italiano

UT-BB053: 2 manicotti filettati di guida per attrezzo UT-BB051, inglese

UT-BB052: Inner and outer thread guide for UT-BB050, IT thread

UT-BB053: Inner and outer thread guide for UT-BB051, BSC thread

UT-BB052: 2 manchons filetés de guide pour outils UT-BB050 fil. Italien

UT-BB053: 2 manchons filetés de guide pour outils UT-BB051 fil. anglais

UT-BB052: 2 Gewindemuffen zur Führung Werkzeuge UT-BB050, ITA

UT-BB053: 2 Gewindemuffen zur Führung Werkzeuge UT-BB051, BSA



Fresa per attrezzi UT-BB050 e UT-BB051

UT-BB054: Fresa standard

UT-BB055: Fresa con inserti metallo duro

Cutter for tools UT-BB050 and UT-BB051

UT-BB054: standard cutter

UT-BB055: cutter with hard metal inserts

Attrezzo fresatura piani scatola movimento centrale con fresa standard (1) e 2 manicotti filettati (2)

UT-BB050: Filetto italiano

UT-BB051: Filetto inglese

Bottom bracket facing set with standard cutter (1) and 2 - inner and outer - thread guide (2)

UT-BB050: Italian thread

UT-BB051: English thread

Outil fraisage faces boîte de pédalier avec fraise standard (1) et 2 manchons filetés de guide (2)

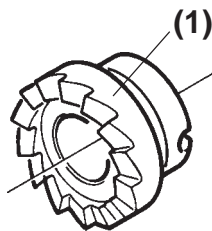
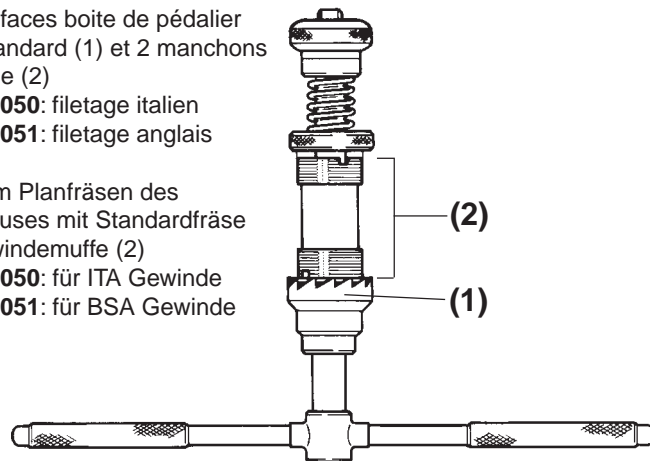
UT-BB050: filetage italien

UT-BB051: filetage anglais

Werkzeug zum Planfräsen des Tretlagergehäuses mit Standardfräse (1) und 2 Gewindemuffe (2)

UT-BB050: für ITA Gewinde

UT-BB051: für BSA Gewinde



Fraise pour outils UT-BB050 et UT-BB051

UT-BB054: fraise standard

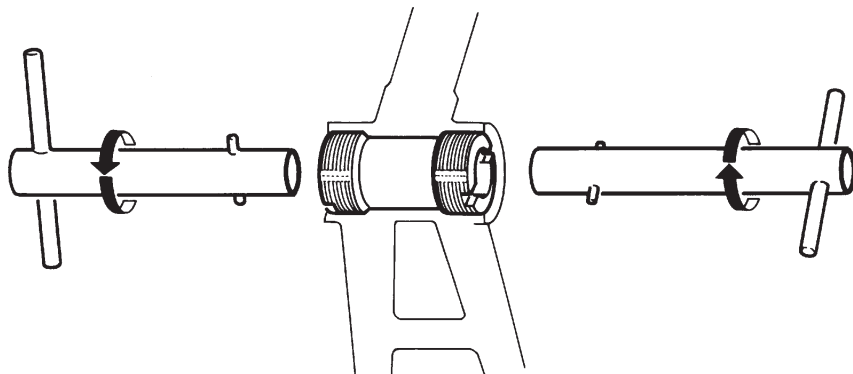
UT-BB055: fraise avec inserts en métal dur

Fräse für Werkzeuge UT-BB050 und UT-BB051

UT-BB054: standard Fräse

UT-BB055: Fräse mit aufgetragenen Hartmetallplättchen

BOTTOM BRACKET



UT-BB060: Chiave per montaggio manicotti
attrezzi UT-BB050/UT-BB051

UT-BB060: key for BB-thread guides UT-
BB050/UT-BB051

UT-BB060: Clé pour montage guides pour
outils UT-BB050/UT-BB051

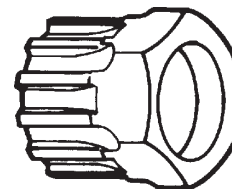
UT-BB060: Rohrschlüssel für
Tretlagergewinde-Führungsteile UT-BB050/
UT-BB051

UT-BB080: Chiave per montaggio movimenti centrali CART e ghiera di chiusura pacchi pignoni

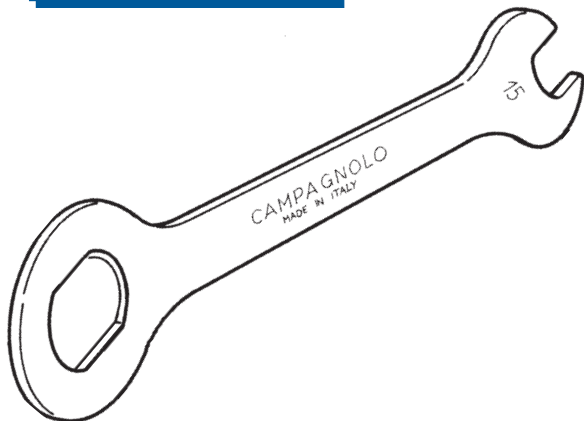
UT-BB080: Cartridge bottom bracket and sprocket cassette- lock ring remover

UT-BB080: Clé pour montage jeux de pédalier CART et roues-libres à cassette

UT-BB080: Schlüssel zur Montage von Patronen-Tretlager und Schließring für Freilaufzahnkranz



BOTTOM BRACKET



UT-BB030: Chiave per calotta destra movimenti centrali e per montaggio pedali

UT-BB030: Spanner for bottom bracket right-hand cup and installing pedals

UT-BB030: Clé pour cuvette droite jeu de pédalier et montage pédales

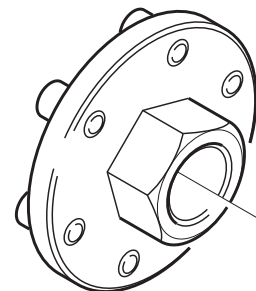
UT-BB030: Schlüssel für rechte Innenlagerschalen und Pedal-Montage

UT-BB100: Utensile per movimenti a cartuccia Daytona, Veloce e Mirage

UT-BB100: Tool for Daytona, Veloce and Mirage cartridge bottom bracket

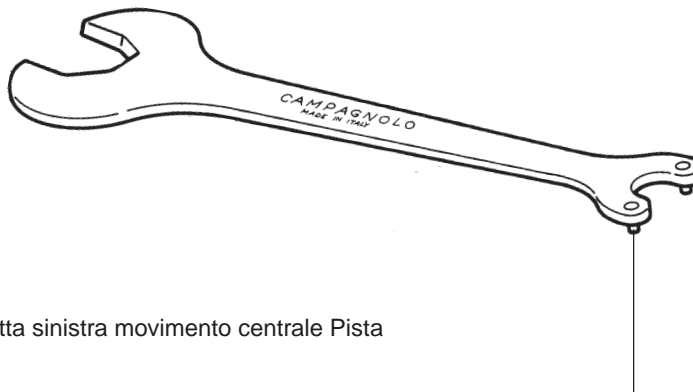
UT-BB100: Clé pour jeux de pédalier à cartouche Daytona, Veloce et Mirage

UT-BB100: Montageschlüssel für Daytona, Veloce und Mirage Patronen-Tretlager



HEADSET

**BOTTOM
BRACKET**



UT-BB010: Chiave per serie sterzo Ø 1" e calotta sinistra movimento centrale Pista

UT-BB010: Spanner for Ø 1" head sets and Pista bottom bracket left hand cup

UT-BB010: Clé pour direction Ø 1" et cuvette réglable jeu de pédalier Pista

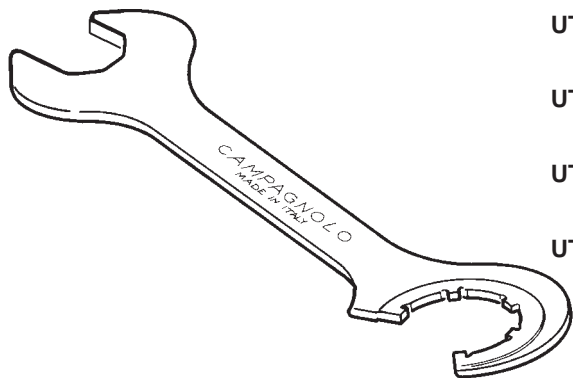
UT-BB010: Schlüssel für Ø 1" Steuersatz und Stiftschlüssel für Pista Tretlagerschale

UT-BB011: Punta per chiave UT-BB010

UT-BB011: Pin for UT-BB010

UT-BB011: Grain pour clé UT-BB01

UT-BB011: Stift für Schlüssel UT-BB010



UT-HS010: Chiave per serie sterzo Ø 1" e contranello movimento centrale Pista

UT-HS010: Spanner for Ø 1" head sets and Pista bottom bracket counter ring

UT-HS010: Clé pour direction Ø 1" et contre-écrou du jeu de pédalier Pista

UT-HS010: Schlüssel für Ø 1" Steuersatz und Pista Tretlager-Konterring

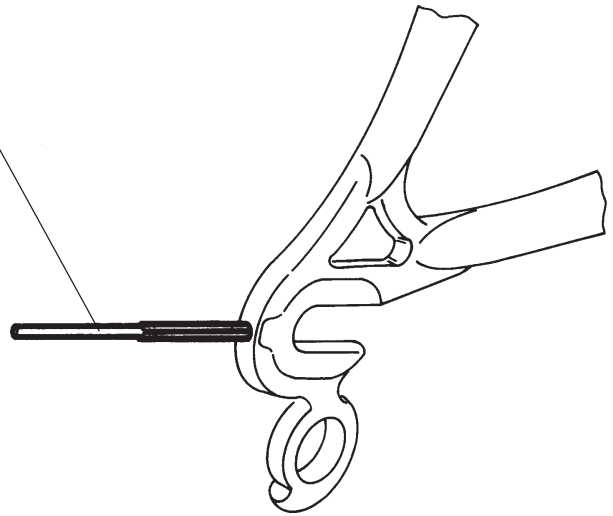
FRAME PREPARATION

UT-VS060: Maschio M3 x 0,5 per ripasso filetti forcellini per viti registrazione

UT-VS060: M3 x 0,5 tap for recutting rear drop-out threads for setting screws

UT-VS060: Taraud M3 x 0,5 pour repassage filetage pattes de cadre pour vis de réglage

UT-VS060: M3 x 0,5 Gewindebohrer zum Nachschneiden von Stellschraubengewinde im Ausfallende



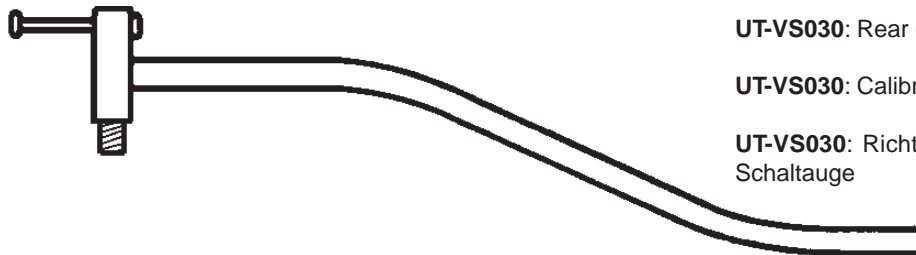
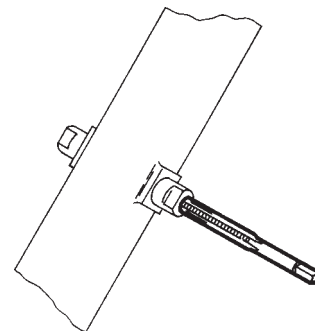
FRAME PREPARATION

UT-VS050: Maschio M5 x 0,8 per ripasso filetti attacchi quadri comandi e attacchi boracce

UT-VS050: M5 x 0,8 tap for recutting shifting lever- and bottle cage threads

UT-VS050: Taraud M5 x 0,8 pour repassage filetage plots de manettes et attaches bidons

UT-VS050: M5 x 0,8 Gewindebohrer zum Nachschneiden der Gewinde für Schalthebel und Trinkflaschenhalter



UT-VS030: Riscontro allineamento occhiello attacco cambio

UT-VS030: Rear derailleur hanger alignment tool

UT-VS030: Calibre de contrôle attache de dérailleur arrière

UT-VS030: Richtwerkzeug zur Kontrolle von Ausfallende mit Schaltauge

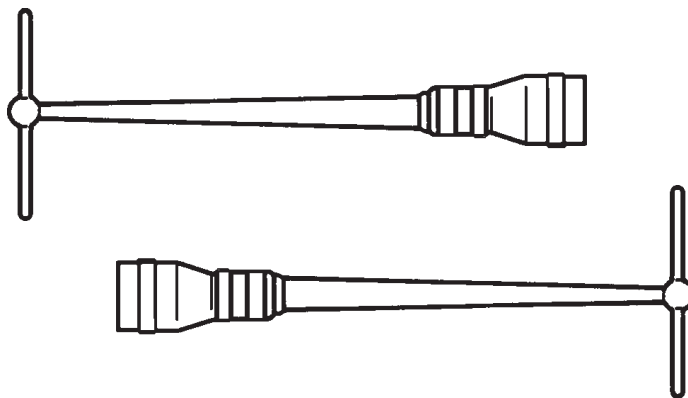
FRAME PREPARATION --- CRANKS/CHAINRINGS

UT-VS120: Calibro per controllo allineamento forcellini e punte forcelle (2 pz.)

UT-VS120: Drop-out alignment set (2 pcs.)

UT-VS120: Calibre pour contrôle alignement pattes de cadres et pattes de fourches (2 pcs.)

UT-VS120: Werkzeug zum Ausrichten von Gabel- und Ausfallenden (2 St.)



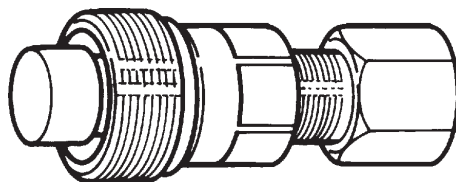
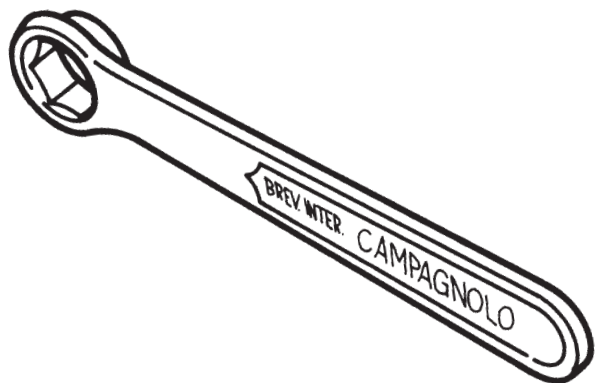
CRANKS/ CHAINRINGS

UT-FC050: Chiave con esagono da 15 mm per estrattore pedivelle

UT-FC050: 15 mm crank bolt spanner

UT-FC050: Clé avec hexagone de 15 mm pour extraire manivelles

UT-FC050: 15 mm Schlüssel für Tretkurbelabzieher



UT-FC060: Estrattore pedivelle standard

UT-FC070: Estrattore pedivelle con filetto a sinistra

UT-FC060: Extractor for standard cranks

UT-FC070: Extractor for cranks with l.h. thread

UT-FC060: Extracteur manivelles standards

UT-FC070: Extracteur manivelles avec filetage à gauche

UT-FC060: Standard - Tretkurbelabzieher

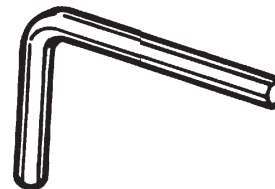
UT-FC070: Tretkurbelabzieher mit Linksgewinde

UT-FC030: Chiave a brugola da 5 mm

UT-FC030: 5 mm allen key

UT-FC030: Clé à pans creux de 5 mm

UT-FC030: 5 mm L-Schlüssel



**CRANKS/
CHAINRINGS**

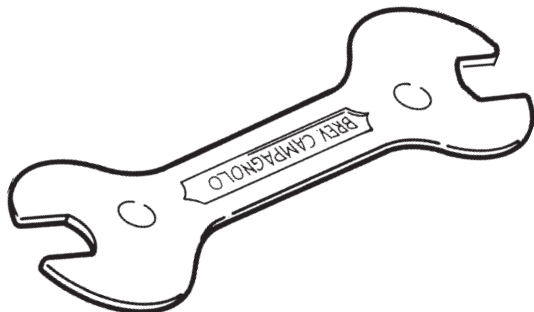
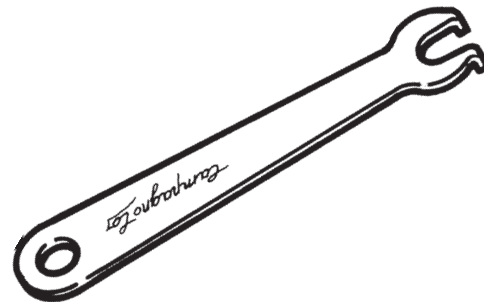
BRAKES

UT-FC040: Chiave per dadi fissaggio ingranaggi

UT-FC040: Spanner for chainring retaining nuts

UT-FC040: Clé pour écrous de fixation plateaux de pédaliers

UT-FC040: Schlüssel zur Befestigung von Kettenblatt-bolzen



UT-BR010: Coppia chiave 13-14 per registrazione freni e coni mozzi

UT-BR010: Pair of 13-14 mm spanners for adjusting brakes and hub cones

UT-BR010: Paire clés 13-14 pour réglage freins et cônes de moyeux

UT-BR010: 13-14 mm Doppelschlüssel zum Einstellen von Bremsen und Nabelknoten

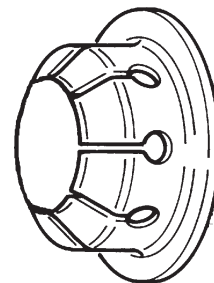
HUBS & WHEELS

UT-HU090: Attrezzo per montaggio cricchetti ruota libera su mozzi standard e HPW

UT-HU090: freewheel-pawl assembling tool (standard and HPW-hubs)

UT-HU090: Outil pour montage cliquets de roue-libre sur moyeux standard et HPW

UT-HU090: Werkzeug zur Montage der Kassettenkörper-Sperrklinken (Standard- und HPW-Nabe)

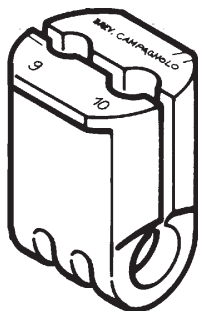


UT-HU020: Pinza per perni filettati mozzi

UT-HU020: Hub axle vise

UT-HU020: Pince pour axes filetés de moyeux

UT-HU020: Klemmvorrichtung für Naben-Achsgewinde

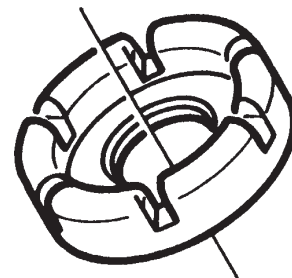


UT-HU050: Tiraraggi

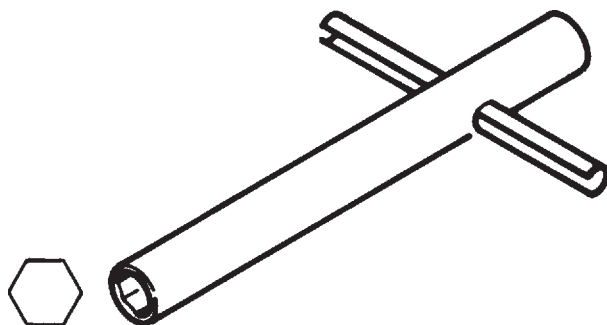
UT-HU050: Spoke wrench

UT-HU050: Clé à rayons

UT-HU050: Speichenschlüssel



HUBS & WHEELS

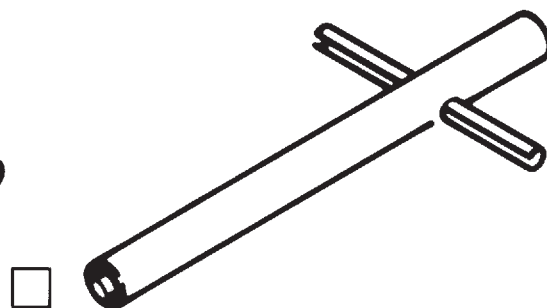


UT-HU070: Chiave per raggi ruote Shamal, Vento e Zonda (fino a gamma '98 - per gamma '99 e successive vedi pag. 97)

UT-HU070: Shamal, Vento and Zonda wheel truing tool (till '98 range - from '99 range see page105)

UT-HU070: Clé à rayons pour roues Shamal, Vento et Zonda (jusqu'à la gamme '98 - pour la gamme '99 et suivantes v. page 97)

UT-HU070: Nippelspanner für Shamal, Vento und Zonda (bis '98 Produktlinie - ab '99 Produktlinie siehe S. 97)



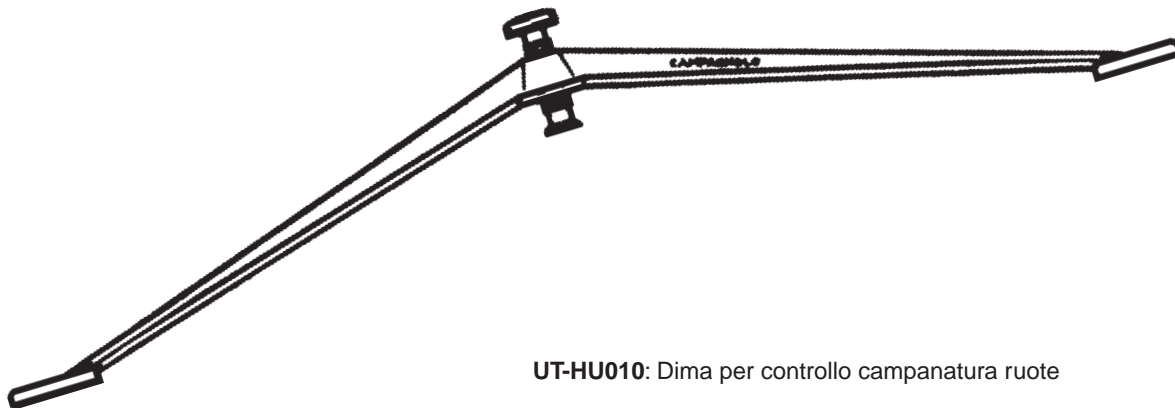
UT-HU060: Chiave per raggi ruote Bora

UT-HU060: Bora wheel truing tool

UT-HU060: Clé à rayons pour roues Bora

UT-HU060: Vierkant-Nippelspanner für Bora

HUBS & WHEELS



UT-HU010: Dima per controllo campanatura ruote

UT-HU010: Wheel dishing tool

UT-HU010: Gabarit pour le contrôle du parapluie des roues

UT-HU010: Zentrierbügel

SPROCKETS

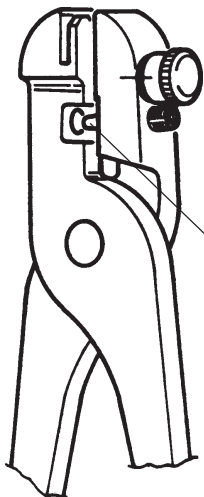
--- CHAINS

UT-VS090: Pinza smaglia catene strette

UT-VS090: Pliers for installing and removing narrow chain pins

UT-VS090: Pince dérive chaînes étroites

UT-VS090: Kettennietenzange

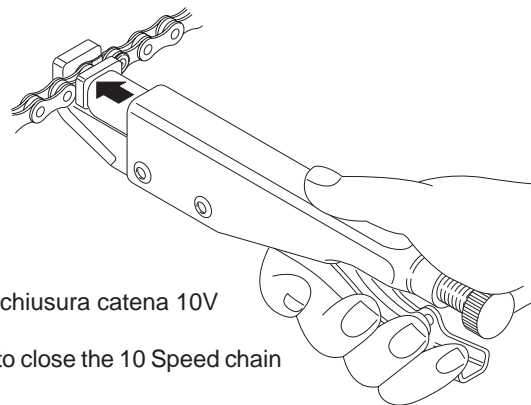


UT-VS091: Punta per pinza catena

UT-VS091: Pins for pliers for installing and removing narrow chains

UT-VS091: Pions pour pince dérive-chaînes étroites

UT-VS091: Austauschbare Kettennieterspitzen

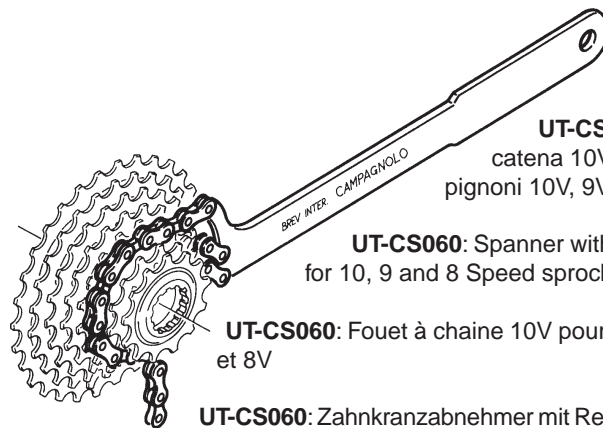


UT-CS050: Pinza chiusura catena 10V

UT-CS050: Pliers to close the 10 Speed chain

UT-CS050: Pince pour fermer la chaîne 10V

UT-CS050: Gripzange für 10 Speed Kette



UT-CS060: Chiave con catena 10V per smontaggio pignoni 10V, 9V e 8V

UT-CS060: Spanner with 10 Speed chain for 10, 9 and 8 Speed sprockets

UT-CS060: Fouet à chaîne 10V pour pignons 10V, 9V et 8V

UT-CS060: Zahnkranzabnehmer mit Rennkette 10 Speed für 10-, 9- und 8 Speed Ritzeln

Utensili raccomandati reperibili in commercio

Recommended tools, commercially available

- Cacciavite a croce PH 1 (Phillips)
- Chiave a manico di cacciavite con esagono da 5mm per ruote:
 - Nucleon ed Electron
 - Shamal e Vento (solo da gamma '99 - per gamme precedenti vedi pag. 94)
- Chiave a brugola da 2,5 mm per registrazione mozzi
- Chiave a brugola da 3 mm per blocchetti fermaguaine
- Chiave a brugola da 5 mm per freni, Ergopower, ecc.
- Chiave dinamometrica con chiave a brugola da 8 mm per montaggio viti pedivelle
- Chiave fissa da 17 mm per controdado mozzo posteriore
- Chiave a bussola da 24 mm per utensile fissaggio calotte mov. centrale Daytona - Veloce - Mirage (UT-BB100 - pag. 86)
- Maschio M10 x 1 per ripasso occhiello attacco cambio su forcellini

-
- Phillips type screwdriver
 - 5 mm nut driver for wheels:
 - Nucleon and Electron
 - Shamal and Vento (only from '99 range - for previous versions see page 94)
 - 2.5 mm allen key, for hub lock nut
 - 3 mm allen key, for downtube adjusters
 - 5 mm for brakes, Ergopower levers, etc.
 - Torque wrench fitted with 8 mm allen key
 - 17 mm hexagonal wrench, for rear hub axle nut
 - 24 mm hexagonal wrench for Daytona, Veloce, Mirage bottom bracket tool (UT-BB100 on page 86)
 - M10 x 1 tap for recutting rear derailleur hanger thread

	ENGLISH	ITALIANO	FRANÇAIS	DEUTSCH
R	RIGHT	DESTRO	DROIT	RECHTS
L	LEFT	SINISTRO	GAUCHE	LINKS
F	FRONT	ANTERIORE	AVANT	VORDERRAD
R	REAR	POSTERIORE	ARRIERE	HINTERRAD
IT	ITALIAN	ITALIANO	ITALIEN	ITALIENISCH
BC	ENGLISH	INGLESE	ANGLAIS	ENGLISCH
TUBULAR	TUBULAR	TUBOLARE	BOYAU	SCHLAUCHREIF
CLINCHER	CLINCHER	COPERTONCINO	PNEU ETROIT	DRAHTREIF



ITALY

CAMPAGNOLO SRL*
Via della Chimica, 4 - 36100 Vicenza
Ph: +39-0-444-225604
Fax: +39-0-444-225400
E-Mail: service@campagnolo.com

FRANCE

CAMPAGNOLO FRANCE*
B.P. 148 - 42160 Andrézieux - Bouthéon Cedex
Ph: +33-477-556305
Fax: +33-477-556345
E-Mail: campagnolo@campagnolo.fr

MINIC 2000*

Z.A. du Champ Niguel B.P. 52 - 35170 Bruz
Ph: +33-2-99050656
Fax: +33-2-99529859

SOCIETE ALVAREZ JOSE**

Route d'Agen - Z.I. Nord - 32020 Auch-Cedex 09
Ph: +33-562-601158
Fax: +33-562-601173
E-Mail: pb.alvarez@wanadoo.fr

CYCLES LAPIERRE S.A.*

Rue Edmond Voisenet - 21005 Dijon Cedex
Ph: +33-3-80525186
Fax: +33-3-80520851
E-Mail: gilles.lapierre@wanadoo.fr

SPAIN

CAMPAGNOLO IBERICA*

Pintor Jesus Apellaniz, 17 - 01008 Vitoria
Ph: +34-945-222504
Fax: +34-945-244007
E-Mail: campagnolo@campagnolo.es

COMET*

Polig. Erratzu, S/N - Alto de Irurain
Apartado Postal 191 - 20130 Urnieta Gipuzkoa
Ph: +34-943-330195
Fax: +34-943-552556
E-Mail: cometsa@nexo.es

JAIME LLORENTE*

Capitan Blanco Argibay, 141
28029 Madrid
Ph: +34-91-3153496
Fax: +34-91-3230652
E-Mail: a069314@sp-editores.es

ENGLAND

J.D. WHISKER LTD*
Bridgegate C.Tre - Martinfield AL71JG
Welwyn Garden City
Ph: +44-143-8798772
Fax: +44-143-879548

MERCIAN CYCLES

7, Shardlow Road, Alvaston - Derby DE2 0JG
Ph: +44-1332-752468
Fax: +44-1332-751033

GERMANY

CAMPAGNOLO DEUTSCHLAND GMBH*

An der Schusterinsel, 15 - 51379 Leverkusen
Ph: +49-2171-72430
Fax: +49-2171-724315
E-Mail: campagnolo@campagnolo.de

STIER*

Johannesstr. 11 - 70176 Stuttgart 1
Ph: +49-711-618801
Fax: +49-711-628577

BRÜGELMANN

Oberriederbacherweg, 42
65842 Sulzbach/Frankfurt
Ph: +49-6196-750075
Fax: +49-6196-750074
E-Mail: info@bruegelmann.de

AUSTRIA

WEKU*

Gewerbestr.3 - 6973 Höchst
Ph: +43-5578-74911
Fax: +43-5578-74912
E-Mail: weku@weku.at

SWITZERLAND

GOOD PRICE*

Kreuzstr., 6 - 8610 Uster
Ph: +41-1-9449393
Fax: +41-1-9449394

U.G.D. SPORT DIFFUSION S.A.*

La Taille - 2053 Cernier
Ph: +41-32-8536363
Fax: +41-32-8536464
E-Mail: ugd@swissonline.ch

CICLI FONDRIEST SAGL

Via Cantonale - 6916 Grancia - TI

Ph: +41-919945008
Fax: +41-919945008

FINLAND

VELOSPORT

Kimmontie, 5 - 00610 Helsinki P.
Ph: +358-975-71377
Fax: +358-979-5498
E-Mail: info@velosport.fi

SWEDEN

VISOM CYKLAR AB*

Sjoviksvagen, 2 - 23162 Trelleborg
Ph: +46-410-41273
Fax: +46-410-41273
E-Mail: visom@trelleborg.mail.telia.com

RACERDEPAN

Drottninggatan, 1 - 44735 Vargarda
Ph: +46-32220590
Fax: +46-32224206

DENMARK

AAGE KROLL*

Jydkekrogen, 18 - Vallensbaek 2625
Ph: +45-43-660066
Fax: +45-43-660099

DAN BIKE A/S*

Hvidemollevej 9-11
8900 Randers
Ph: +45-86-423155
Fax: +45-86-423177
E-Mail: pbr@danbike.dk

HOLLAND

WOUT VERHOEVEN*

Rodenrijseweg 409 - 2651Am Berkel en Rodenrijs
Ph: +31-10-5115014
Fax: +31-10-5117708
E-Mail: verhoeven-emmy@zonnet.nl

CARD BENELUX*

Nispensestraat, 72 - 4701 Cx Roosendaal
Ph: +31-165-564241
Fax: +31-165-563248

BELGIUM

SIMONS BV*

Staatsbaan, 279 - Bekkevoort 3260
Ph: +32-166-32095
Fax: +32-166-32840

N.V. MINERVA*
 Koerselsesteenweg 33
 3580 Beringen
 Ph: +32-11-422062
 Fax: +32-11-424473
 E-Mail: mail@minerva-nv.be

VELO - PLUS*
 Lange Nieuwstraat 79
 9420 Erondegem
 Ph: +32-53-805502
 Fax: +32-53-806767
 E-Mail: veloplus@planetinternet.be

U.S.A.
CAMPAGNOLO USA INC.*
 2105-L Camino Vida Roble - Carlsbad CA 92009
 Ph. +1-760-9310106
 Fax: +1-760-9310991
 E-Mail: info@campagnolousa.com

OCHSNER INT. INC.*
 246 Marquardt Drive - Wheeling, IL 60090 -6430
 Ph: +1-847-4658200
 Fax: +1-847-4658282
 E-Mail: ochsner@sprynet.com

EUROASIA*
 3935 Foothill Blvd, STE A - 91214 La Crescenta, CA
 Ph: +1-818-2481814
 Fax: +1-818-2481243

QUALITY BIC. PRODUCTS*
 6400 w. 105TH Street - Bloomington,
 MN 55438-2554
 Ph: +1-612-9419391
 Fax: +1-612-9419799
 E-Mail: campagnoloservice@qbp.com

UNITED BICYCLE PARTS*
 691 Washington Street - 97520 Ashland, OR
 Ph: +1-541-4881984
 Fax: +1-541-4880192

PERFORMANCE CYCLE PRODUCTS*
 22 South 6th Avenue
 Mount Vernon, NY 10550
 Ph: +1-914-6991668
 Fax: +1-914-6991875

CANADA
CYCLES MARINONI
 1067, Levis Lachenaie - Quebec J6W 4L2
 Ph: +1-450-4717133

Fax: +1-450-4719887
 E-Mail: webmaster@marinoni.qc.ca

GREAT WESTERN
 233 West Broadway - Vancouver, BC V5Y 1P5
 Ph: +1-604-8722424
 Fax: +1-604-8720226
 E-Mail: gwbicycle@hotmail.com

LATIN AMERICA
CASA ITALIA
 Av. Agraciada 4174 - Montevideo - URUGUAY
 Ph: +598-2-3098142
 Fax: +598-2-3045539
 E-Mail: casaital@adinet.com.uy

ANGEL DIAZ*
 Av. Constituyentes 4884 - Casilla de Correo 149
 1431 Buenos Aires - ARGENTINA
 Ph: +54-157-16481
 Fax: +54-157-27048
 E-Mail: info@rodadosdiaz.com.ar

NEW ZEALAND
WH WORRALL*
 Symonds Street - P.O. Box 8381 - Auckland
 Ph: +64-9-6303901
 Fax: +64-9-6303839
 E-Mail: office@worrall.co.nz

AUSTRALIA
CONTINENTAL OC. P/L*
 P.O. Box 42 - Bondi Junction - 2022 NSW
 Ph: +61-2-93694761
 Fax: +61-2-93892662
 E-Mail: contipeac@ozemail.com.au

BIKE SPORTZ*
 11 Macbeth Street - Braeside, Victoria 3195
 Ph: +61-3-95872344
 Fax: +61-3-95876951
 E-Mail: cramerd@ozemail.com.au

FAR EAST
THE WING'S CO.
 250 Tung Shoi St. G/F Mongkok - Kowloon
 HONG KONG
 Ph: +852-2381-2635
 Fax: +852-23-974094

BREWO S.r.l.*
 Via Petracchi, 13 - P.o. Box 70
 54038 Montignoso (Massa Carrara) Italia

Ph: +39-0585-821296
 Fax: +39-0585-349442
 E-Mail: brewo@zia.ms.it

JAPAN
KAWASHIMA*
 N. 4-2-4, Kushiya-Cho - Higashi Sakai
 590 Osaka JAPAN
 Ph: +81-722-381557
 Fax: +81-722-386213
 E-mail: riog@osk.3web.ne.jp

NICHINAO SHOKAI*
 6-16-8 Sotokanda Chyodaku - 101 Tokyo
 JAPAN
 Ph: +81-3-38326251
 Fax: +81-3-38326286
 E-Mail: nichinao@fa.mbn.or.jp

PORTUGAL
CAMPAGNOLO IBERICA*
 Pintor Jesus Apellaniç, 17 - 01008 Vitoria
 Ph: +34-945-222504
 Fax: +34-945-244007
 E-Mail: campagnolo@campagnolo.es

GREECE
CYCLES FIDUSA
 Th. Sofuli 97
 85100 Rhodos GREECE
 Ph: +30-241-21264
 Fax: +30-241-21519
 E-Mail: fidusagy@otenet.gr

SOUTH AFRICA
J & J WHOLESALERS*
 P.O. Box 27561 Lynnwood Ridge
 0040 SOUTH AFRICA
 Ph: +27-83-268-1808
 Fax: +27-12-807-4267
 E-Mail: jj@global.co.za



NOTA IMPORTANTE: gli indirizzi contrassegnati con un asterisco (*) si riferiscono a grossisti o a filiali della Campagnolo che **non** vendono direttamente al pubblico. Potete contattarli per sapere quale è il rivenditore di ricambi originali Campagnolo più vicino a voi.

IMPORTANT NOTICE: sources marked with an asterisk (*) indicate wholesale distributors or Campagnolo branch offices and do **not** sell directly to the public. When contacted for spare part purchases they might refer you to the closest retailer in your area.

NOTES



< Campagnolo in the world >

CAMPAGNOLO S.R.L.

Via della Chimica, 4 - 36100 Vicenza -
ITALY

Phone: +39-0444-225500

Fax: +39-0444-225400

Website: <http://www.campagnolo.com>

E-mail: campagnolo@campagnolo.com

CAMPAGNOLO DEUTSCHLAND GMBH

An der Schusterinsel 15
51379 Leverkusen – GERMANY

Phone: +49-2171-72430

Fax: +49-2171-724315

E-mail: campagnolo@campagnolo.de

CAMPAGNOLO FRANCE SARL

B.P. 148 - 42163 Andrézieux
Bouthéon Cedex - FRANCE

Phone: +33-477-556305

Fax: +33-477-556345

E-mail: campagnolo@campagnolo.fr

CAMPAGNOLO IBERICA S.L.

Pintor Jesus Apellaniz, 17
01008 Vitoria - SPAIN

Phone: +34-945-222504

Fax: +34-945-244007

E-mail: campagnolo@campagnolo.es

CAMPAGNOLO USA INC.

2105-L Camino Vida Roble - Carlsbad
CA 92009 - U.S.A.

Phone: +1-760-9310106

Fax: +1-760-9310991

E-mail: info@campagnolousa.com

CAMPAGNOLO

LATINO AMERICANA CML. LTDA.

Av. Dr. Antonio Álvaro 330
Cj. 72 Santo André - São Paulo

CEP: 09030-520 - BRASIL

Phone: 55-11-444-9123

Fax: 55-11-449-2344

E-mail: campagnolo@macbbs.com.br

SERVICE

AND TECHNICAL INFORMATION:

CENTRAL (ITALY)

Phone: +39-0444-225600

E-mail: custser@campagnolo.com

GERMANY

Phone: +49-2171-7243-20

E-mail: campagnolo@campagnolo.de

U.S.A.

Phone: +1-760-9310106

E-mail: info@campagnolousa.com

FRANCE

Phone: +33-477-554449

E-mail: campagnolo@campagnolo.fr

AGENCIES

BENELUX: I.C.C.

P.O. Box 73 - 4527 ZH Aardenburg
NEDERLAND

Phone: +31-117-492820

Fax: +31-117-492835

E-mail: ICC@zeelandnet.nl

UNITED KINGDOM:

SELECT CYCLE COMPONENTS

P.O. Box 5788 - Nottingham
NG13 8LW - ENGLAND

Phone: +44-1949-829029

Fax: +44-1949-829039

E-mail: RRosafio@compuserve.com

SWEDEN-NORWAY- FINLAND:

ULLBERG & CO AB

Ektorpsvägen 2, S-131 45 Nacka -
SWEDEN

Phone: +46-8-556 118 50

Fax: +46-8-556 118 59

E-mail: welcome@ullberg-bike.com