

DEORE XT REAR MECH

One of Shimano's interchangeable products that makes up the new Deore XT "Mega-9" system. XT has had a major facelift this year, enabling you to choose from a wider range of gears. Slick, efficient, sharper than ever and it looks great too.



MANITOU SPYDER

Superb all-round big and small hit performance
- 70mm of spring/MCU travel.



SRAM ESP 7.0 SHIFTERS/MECH

Composite construction and simple elegant design makes ESP the lightest shifting system on the market.

7005
ALU. TUBING
TO HEAT
TREATED FOR
STRENGTH

150



SHIMANO ALIVIO GROUPSET

Simple, smooth and light-action.
Genuine off-road performance.



VELOCIRAPTOR TYRES

Aggressive tread pattern, the choice of
pros and amateurs the world over.

TAKE TO THE ROAD

THE MESSAGE IS LOUD AND
CLEAR - ROAD BIKES ARE

WAY COOL AGAIN - FROM DOWNHILLERS TO X-COUNTRY RACERS, EVERYBODY IS DISCOVERING OR RE-DISCOVERING THE RUSH FROM BEING HOOKED UP TO A SUPER-LIGHT, HIGHLY AGGRESSIVE RACE BIKE.

IT IS THE EXPRESSION OF THE HUMAN BODY AT ITS MOST EFFICIENT.

WHETHER IT IS FOR TRAINING, RACING, COMMUTING, OR FOR THE SHEER TARMAC-EATING, LAMP-POST SPRINTING HELL OF IT ALL - ROAD BIKES ARE BACK WITH A VENGEANCE. AND THE ONLY THING THAT IS REMOTELY TRADITIONAL ABOUT THE R700 & R800 IS THE PAINSTAKING WAY THEY ARE HANDBUILT. THE REST IS A KALEIDOSCOPE OF TIGHT ANGLES, SLICK COMPONENTS AND OUTRAGOUSLY LUSH PAINT - THAT MAKE YOUR AVERAGE TOUR DE FRANCE CANDIDATE LOOK LIKE A VICAR'S BIKE. THERE ARE NO COMPROMISES. AND YOU JUST RAN OUT OF EXCUSES. THERE IS NO HIDING. IF YOU DON'T WIN ON ONE OF THESE BEAUTIES, THEN IT'S ALL DOWN TO YOU.



DURA-ACE COMPONENTRY

The choice of professionals the world over, with amazing attention to detail for lightning response. Quite simply unsurpassed.



RALEIGH SPECIAL PRODUCTS
TIMET
TITANIUM

R800



MIZUNO CARBON

Laterally stiff for sprinting and handling, but vertically compliant to cut road-buzz. Light, trick and beautiful.



MAVIC HELIUM WHEELSET

Probably the lightest wheelset on the market. Brilliant for climbing and acceleration.



SHIMANO DURA-ACE

The ultimate pro choice - unsurpassed ergonomics and attention to detail. Quite simply the most intuitive and responsive set of componentry you can get your fingers and toes on.



**SHIMANO ULTEGRA
GROUPSET**

Light, precise and utterly dependable.
9 speed-technology ensures the optimum
gear is always at the end of your finger.



MAVIC COSMIC ELITE

Competition wheelset designed to cheat
the wind. Light, aerodynamic and
versatile.



MICHELIN AXIAL PRO

Professional racing tyre with dual
compound tread for better grip and
minimum road-resistance.

The ultimate road shoe from Diadora - nylon 12 resin sole with ultra-thin profile. Micrometric multi step lever closure with push button release. "These shoes are remarkable..." Cycling Plus.

The Michelin Axial Pro tyre is the choice of professional riders - a pure race tyre with a friction-reducing tread band, allowing the rider to travel faster for the same effort.

Call Raleigh Parts & Accessories on
0115 985 5706
for a range brochure and a list of stockists



YOUR CAKE - NOW EAT IT

SO YOU'VE DECIDED THAT YOU WANT IT ALL:

MAXIMUM SPEED, MAXIMUM COMFORT,

MAXIMUM VERSATILITY AND OF COURSE MINIMUM WEIGHT. THE NEW 100T & 200T ASSUME THAT YOUR AVERAGE COMMUTE TO WORK IS GOING TO TAKE IN A FEW MILES OF TWISTY CHICANERY ON THE TARMAC, FOLLOWED BY AN OFF-ROAD SLALOM THROUGH SOME TWISTY SINGLE-TRACK, ONTO A FEW ALL-OUT SPRINTS AWAY FROM THE TRAFFIC LIGHTS, COUPLE OF KERB-HOPS, RIVER-CROSSING....UP SOME STEPS TO WORK. WORK ALL DAY. REVERSE PROCEDURE TAKING IN A FEW LAPS OF THE PARK. RALEIGH ALSO ASSUME THAT YOU MAY WANT TO LOAD THE BIKE UP ON WEEKENDS AND HOLIDAYS WITH RACKS AND PANNIERS ETC TO USE AS A PUKKA TOURER. 100T AND 200T - TAKING THE MARY POPPINS OUT OF HYBRIDS.

4130
BUTTED
Cr-Mo

200T





SUSPENSION SEATPOST

One of those never look back purchases - 35mm of comfy travel.



ADJUSTABLE STEM

You choose your position. Change it from day to day as whim and fancy takes you.



LX GROUPSET

Quality and precision assured with Shimano's 9 speed LX shifting and transmission.



100T



RST 801

40mm of travel from a coil-spring and polymer stack. Plush and light.



NEXAVE GROUPSET

Shimano's Nexave groupset includes Mega-Range gears, powerful brakes, intuitive shifting and outstanding durability.



NEXAVE BRAKE

Power and control from Shimano's Nexave groupset. Features 3-step adjustable power modulator.



← Raleigh's Trail Sprint skinwall hybrid and touring tyre has a large semi-slick centre with knobby outer tread. Ideal for road and country.



▲ This Look-in saddle from Selle Royal has sleek, stylish looks and protection there for all to see. Royal Gel padding is positioned in the areas subject to the greatest pressure. Ideal for any application.

► Comfortable, lightweight and breathable clothing offering versatility, up-to-date colours and style. Features two open pockets at the back for your personal items.



Call Raleigh Parts & Accessories on

0115 985 5706

for a range brochure and a list of stockists

Objects Of Desire





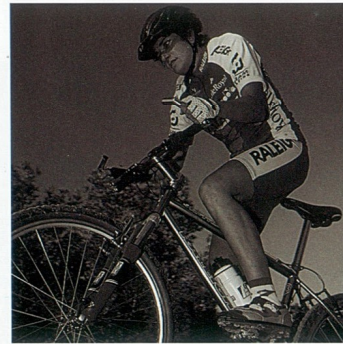
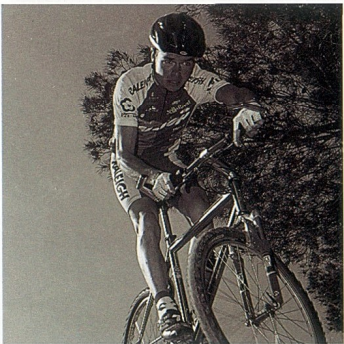
Look pedals offer the ideal contact surface for total transmission of pedalling power. The wide platform increases stability, comfort, power and ease when stepping into the pedal. Look invented the clipless pedal in 1984. Since then more professional and amateur athletes have ridden Look pedals to victory than any other system in the world.



The X-Lite PSS1 saddle is the racer's choice. The heavy weave Kevlar cover is rip, tear and scuff resistant! Water repellent surface, titanium rails and X-Lite embroidered logo.

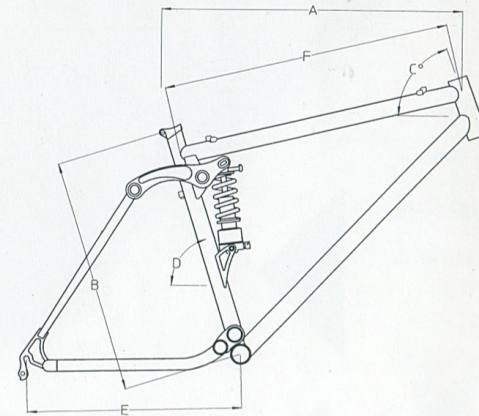
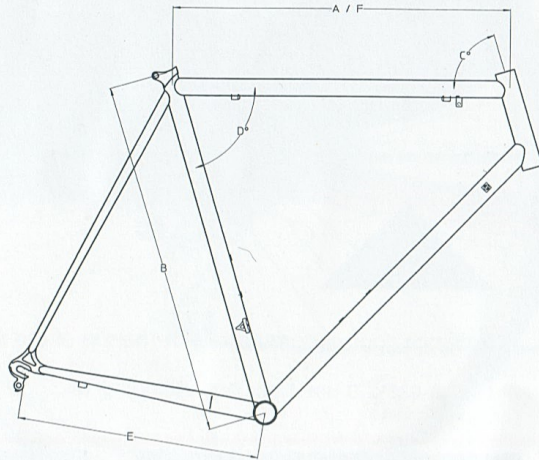


Enhance your performance with the top of the range Sigma computer. With twelve easy to use functions including two odometer logs for different bikes.



	DHO	600	550	500	450
PRODUCT TYPE	DOWNHILL	HARDTAIL	HARDTAIL	FULL SUSPENSION	HARDTAIL
FRAME	REYNOLDS 853	TITANIUM	TITANIUM	REYNOLDS 853	REYNOLDS 853
GEARS	9	27	27	27	27
SHOCK	RS SUPER DELUXE	N / A	N / A	RS COUPE DELUXE	N / A
MAX REAR TRAVEL	190mm	N / A	N / A	130mm	N / A
FORK	ROCKSHOX BOXXER PRO	ROCKSHOX SID SL Ti	ROCKSHOX SID SL Ti	MANITOU X-VERT T	MANITOU SX
MAX FRONT TRAVEL	151mm	63mm	63mm	100mm	80mm
HEADSET	CHRIS KING	CHRIS KING	CHRIS KING	FSA ORBIT EXTREME	FSA ORBIT EXTREME
CHAINSET	XTR	XTR	XTR	DEORE XT	DEORE XT
FT MECH	N / A	XTR	XTR	DEORE XT	DEORE XT
RR MECH	ESP 9.0 SL	ESP 9.0 SL	XTR	DEORE XT	DEORE XT
SHIFTERS	ESP 9.0 SL	ESP 9.0 SL	XTR	DEORE XT	DEORE XT
BRAKES	HOPE DISC	MAGURA LOUISE	XTR	MAGURA LOUISE	DEORE XT
LEVERS	HOPE DISC	MAGURA LOUISE	XTR	MAGURA LOUISE	DEORE XT
CASSETTE	DEORE XT 9 SPEED	DEORE XT 9 SPEED	XTR	DEORE XT 9 SPEED	DEORE XT 9 SPEED
HUBS	N / A	N / A	N / A	N / A	DEORE XT
RIMS	DEEMAX	CROSSMAX DISC	CROSSMAX	CROSSLINK DISC	MAVIC X517
TYRES	CONTINENTAL VERTICAL PRO	CONTINENTAL CROSS COUNTRY	CONTINENTAL D. FIGHTER DUAL	CONTINENTAL VERTICAL PRO	CONTINENTAL CROSS COUNTRY
STEM	AZONIC SHORTY	SYNCROS	SYNCROS	SYNCROS	SYNCROS
BARS	AZONIC DOUBLE WALL	X-LITE Ti	X-LITE Ti	X-LITE G-FORCE RISER	X-LITE Ti
BAR ENDS	N / A	X-LITE ALTO PRO	X-LITE ALTO PRO	N / A	X-LITE ALTO PRO
GRIPS	WTB DUAL COMPOUND	WTB DUAL COMPOUND	WTB DUAL COMPOUND	WTB DUAL COMPOUND	WTB DUAL COMPOUND
SADDLE	X-LITE KEVLAR	WTB KEVLAR	WTB KEVLAR	WTB KEVLAR	WTB KEVLAR
SEAT POST	X-LITE CLIKON	SYNCROS	SYNCROS	SYNCROS	SYNCROS
PEDALS	WELLGO WAM 1 DH	WELLGO WAM 1 M Ti	WELLGO WAM 1 M Ti	WELLGO WAM 1 DH	WELLGO WPD 800
COLOUR	BOXXER RED / BLACK	YELLOW / SID BLUE	YELLOW / SID BLUE	SILVER / MANGO	MUSTARD / RED
SIZES	S, M ONLY	16", 18", 19", 20", 22"	16", 18", 19", 20", 22"	S, M, L	16", 18", 19", 20", 22"
FRAMESETS	YES	YES	YES	YES	YES

	250	200	150	200T	100T
PRODUCT TYPE	HARDTAIL	HARDTAIL	HARDTAIL	HARDTAIL	HARDTAIL
FRAME	ALLOY	ALLOY	ALLOY	BUTTED CR-MO	BUTTED CR-MO
GEARS	27	27	24	27	24
SHOCK	N / A	N / A	N / A	N / A	N / A
MAX REAR TRAVEL	N / A	N / A	N / A	N / A	N / A
FORK	ROCKSHOX JUDY XC	MANITOU SPYDER	MANITOU SPYDER	RST 801	RST 801
MAX FRONT TRAVEL	63mm	70mm	70mm	40mm	40mm
HEADSET	DIATECH	DIATECH	DIATECH	DIATECH	DIATECH
CHAINSET	SUNTOUR AP55	SUNTOUR AP46	SUNTOUR XR 32	DEORE LX	NEXAVE
FT MECH	DEORE LX	ALIVIO	ALIVIO	DEORE LX	NEXAVE
RR MECH	DEORE XT	ESP 7.0	ALIVIO	DEORE LX	NEXAVE
SHIFTERS	DEORE LX	ESP 7.0	ALIVIO	DEORE LX	NEXAVE
BRAKES	DEORE LX	ESP 7.0	ALIVIO	NEXAVE	NEXAVE
LEVERS	DEORE LX	ESP 7.0	ALIVIO	NEXAVE	NEXAVE
CASSETTE	DEORE LX 9 SPEED	DEORE LX 9 SPEED	SUNTOUR PF22 8 SPEED	DEORE LX 9 SPEED	HG 60 I 8 MEGA RANGE
FT HUB	CENTERA	CENTERA	ALLOY	DEORE LX	CENTERA
RR HUB	CENTERA 9 SPEED	CENTERA 9 SPEED	ALLOY 8 SPEED	DEORE LX	CENTERA
RIMS	MAVIC X138	MAVIC X138	ZAC 19	MAVIC T 221	ZAC 19
TYRES	WTB VELOCIRAPTOR	WTB VELOCIRAPTOR	WTB VELOCIRAPTOR	WTB ALL TERRAINASAURUS	WTB ALL TERRAINASAURUS
STEM	ALLOY BLACK	ALLOY BLACK	ALLOY BLACK	AHEADSET ADJUSTABLE	AHEADSET ADJUSTABLE
BARS	ALLO SILVER	ALLOY SILVER RISER	ALLOY SILVER RISER	ALLOY RISER	ALLOY RISER
BAR ENDS	ALLOY BLACK	N / A	N / A	N / A	N / A
GRIPS	WTB DUAL COMPOUND	WTB DUAL COMPOUND	WTB DUAL COMPOUND	WTB DUAL COMPOUND	WTB DUAL COMPOUND
SADDLE	SAN MARCO PILOT	SAN MARCO PILOT	SR SHARK	SR X-COUNTRY	SR X-COUNTRY
SEAT POST	ALLOY SILVER	ALLOY SILVER	ALLOY SILVER	SUSPENSION	SUSPENSION
PEDALS	WPD 800	WPD 800	VP CLIPS & STRAPS	VP CLIPS & STRAPS	VP CLIPS & STRAPS
COLOUR	LIME	TERRA BLUE	MUSTARD	SAFFRON	PEPPERONI
SIZES	16", 17 1/2", 19 1/2", 21 1/2"	16", 17 1/2", 19 1/2", 21 1/2"	16", 17 1/2", 19 1/2", 21 1/2"	45cm, 48cm, 51cm	45cm, 48cm, 51cm
FRAMESETS	NO	NO	NO	NO	NO



R700/R800							
FRAME SIZE (cm)	50	52	54	56	58	60	62
HORIZONTAL TOP TUBE 'A'	520	530	543	555	565	575	590
SEAT TUBE (CENTRE TO TOP) 'B'	510	530	550	570	590	610	630
HEAD ANGLE 'C'	71.5	72	73	73.5	73.5	74	74
SEAT ANGLE 'D'	75	75	74	74	73.5	73	73
CHAINSTAYS 'E'	400	400	405	405	405	405	405
TOP TUBE (CENTRES) 'F'	520	530	543	555	565	575	590

DH0/500/400/350/300					
	FREERIDE			DH0	
FRAME SIZE	S	M	L	S	M
HORIZONTAL TOP TUBE 'A'	551	581	600	550	580
SEAT TUBE (CENTRE TO TOP) 'B'	410	455	495	385	385
HEAD ANGLE 'C'	71.5	71.5	71.5	67	67
SEAT ANGLE 'D'	74.5	74	74	73	73
CHAINSTAYS 'E'	425	425	425	440	440
TOP TUBE (CENTRES) 'F'	530	560	581	527	555

	400	350	300
PRODUCT TYPE	FULL SUSPENSION	FULL SUSPENSION	FULL SUSPENSION
FRAME	BUTTED ALLOY	BUTTED ALLOY	BUTTED ALLOY
GEARS	27	27	24
SHOCK	RST 56	RST 22A	RST 22A
MAX REAR TRAVEL	125mm	125mm	125mm
FORK	ROCKSHOX JUDY XLC	MANITOU X-VERT E	ROCKSHOX JUDY C LT
MAX FRONT TRAVEL	97mm	100mm	80mm
HEADSET	FSA ORBIT EXTREME	FSA ORBIT XL	FSA ORBIT XL
CHAINSET	DEORE LX	SUNTOUR AP55	SUNTOUR AP46
FT MECH	DEORE LX	DEORE LX	ALIVIO
RR MECH	DEORE XT	ESP 7.0	ALIVIO
SHIFTERS	DEORE LX	ESP 7.0	ALIVIO
BRAKES (FT)	DIATECH DISC	DIATECH VC 767	DIATECH DISC
BRAKES (RR)	DIATECH VC 767	DIATECH VC 767	DIATECH VC 767
LEVERS	DIATECH DP 9	DIATECH DP9	DIATECH DP9
CASSETTE	DEORE LX 9 SPEED	DEORE LX 9 SPEED	SUNTOUR PF22 8 SPEED
FT HUB	DIATECH DISC	CENTERA	DIATECH DISC
RR HUB	DEORE LX 9 SPEED	CENTERA 9 SPEED	ALLOY 8 SPEED
RIMS	MAVIC X221	MAVIC X138	ZAC 19
TYRES	WTB ENDURORAPTOR	WTB ENDURORAPTOR	WTB ENDURORAPTOR
STEM	ALLOY BLACK	ALLOY BLACK	ALLOY BLACK
BARS	ALLOY SILVER RISER	ALLOY SILVER	ALLOY SILVER RISER
BAR ENDS	N / A	ALLOY BLACK	N / A
GRIPS	WTB DUAL COMPOUND	WTB DUAL COMPOUND	WTB DUAL COMPOUND
SADDLE	SAN MARCO B3D	SAN MARCO B3D	SAN MARCO B3D
SEAT POST	ALLOY SILVER	ALLOY SILVER	ALLOY SILVER
PEDALS	WPD 804	WPD 804	WPD 313
COLOUR	TERRA BLUE / RED	RED / YELLOW	MUSTARD / BLUE
SIZES	S, M, L	S, M, L	S, M, L
FRAMESETS	NO	NO	NO

Useful contacts

An Oige (Irish Youth Hostels Association)

61 Mountjoy Street
Dublin 7
Republic of Ireland
Tel: (00 353) 1 830 4555

Bord Failte Eireann

Baggot Street Bridge
Dublin 2
Republic of Ireland
Tel: (00 353) 1 602 4000

British Cycling Federation

National Cycling Centre
Stuart Street
Manchester
M11 4DQ
Tel: 0161 230 2301

British Cyclo Cross Association

14 Deneside Road
Darlington
Co Durham
DL3 9HZ
Tel: 01325 482052

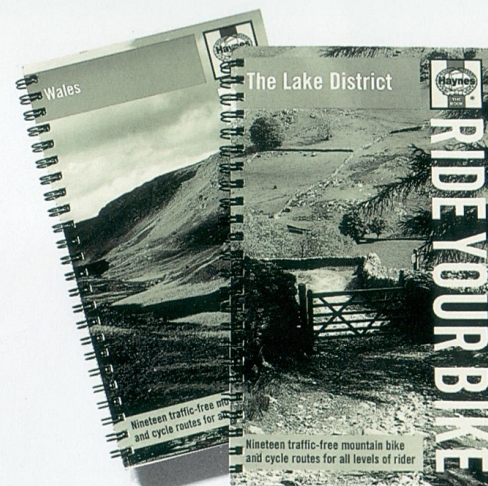
British Triathlon Association

PO Box 26
Ashby de la Zouch
Leicestershire
LE65 2ZR
Tel: 01530 414234

Federation of Irish Cyclists

Kelly Roche House
619 North Circular Road
Dublin 1

	R800	R700
PRODUCT TYPE	RACE	RACE
FRAME	TITANIUM	REYNOLDS 853
GEARS	18	18
FORK	MIZUNO CARBON	MIZUNO CARBON
HEADSET	CHRIS KING AHEADSET	CHRIS KING AHEADSET
CHAINSET	DURA-ACE	ULTEGRA
FT MECH	DURA-ACE	ULTEGRA
RR MECH	DURA-ACE	ULTEGRA
SHIFTERS	DURA-ACE	ULTEGRA
BRAKES	DURA-ACE	ULTEGRA
LEVERS	DURA-ACE	ULTEGRA
CASSETTE	DURA-ACE	ULTEGRA
HUBS	N / A	N / A
RIMS	MAVIC HELIUM	MAVIC COSMIC ELITE
TYRES	MICHELIN AXIAL PRO	MICHELIN AXIAL PRO
STEM	ITM BIG ONE	ITM BIG ONE
BARS	ITM SUPERITALIA PRO 260	ITM SUPERITALIA PRO 260
SADDLE	SELLE ITALIA CENTURY	SELLE ITALIA CENTURY
SEAT POST	DURA-ACE	ULTEGRA
PEDALS	NONE	NONE
COLOUR	PEARL WHITE / YELLOW FADE	PEARL WHITE / RED FADE
SIZES	50, 52, 54, 56, 58, 60, 62cm	50, 52, 54, 56, 58, 60, 62cm
FRAMESETS	YES	YES



RIDE YOUR BIKE

Everything you ever wanted to know about cycle racing, mountain biking, repairing and maintaining your bike is fully covered in three heavily illustrated full colour books from Haynes. And each of the Haynes 'Ride Your Bike' guides details up to nineteen routes in several areas of the country with full colour Ordnance Landranger mapping.

Republic of Ireland
Tel: (00 353) 1 855 1522

Road Time Trials Council

77 Arlington Drive
Pennington
Leigh
Lancashire
WN7 3QP
Tel: 01942 603976

Scottish Cyclists' Union

The Velodrome
Meadowbank Stadium
London Road
Edinburgh
Mid Lothian
EH7 6AD
Tel: 0131 652 0187

Scottish Youth Hostel Association

7 Glebe Crescent
Stirling
Stirlingshire
FK8 2JA
Tel: 01786 891400

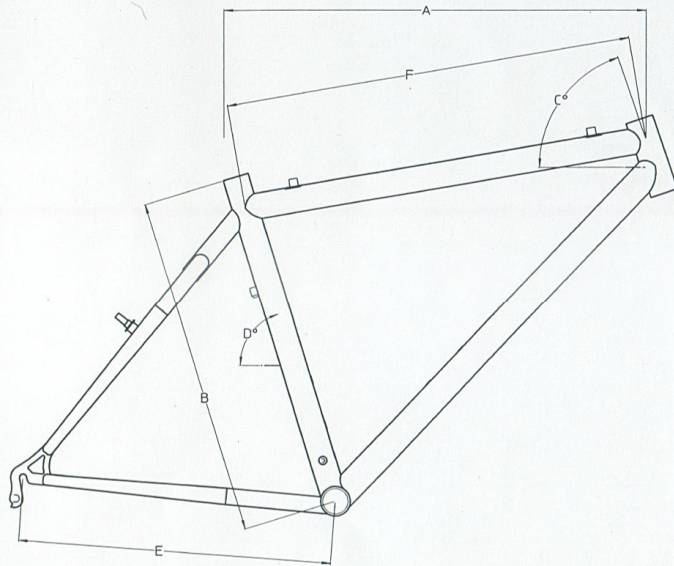
Sustrans

PO Box 368
FREEPOST SWB264
Bristol
BS99 1BR
Tel: 0117 929 0888

Call Raleigh Parts & Accessories on

0115 985 5706

for a range brochure and a list of stockists



250/200/150

FRAME SIZE (inches)	16	17.5	19.5	21.5
HORIZONTAL TOP TUBE 'A'	558.8	584.2	603.3	615.9
SEAT TUBE (CENTRE TO TOP) 'B'	406.4	444.5	495.3	546.1
HEAD ANGLE 'C'	70.5	71	71	71.5
SEAT ANGLE 'D'	74	73	73	72
CHAINSTAYS 'E'	425.5	425.5	425.5	425.5
TOP TUBES (CENTRES) 'F'	537.2	560.3	582.32	592.77

100T/200T

FRAME SIZE (cm)	45	48	51
HORIZONTAL TOP TUBE 'A'	580	580	580
SEAT TUBE (CENTRE TO TOP) 'B'	450	480	510
HEAD ANGLE 'C'	72.5	72.5	72.5
SEAT ANGLE 'D'	73	73	73
CHAINSTAYS 'E'	438	438	438
TOP TUBES (CENTRES) 'F'	555.3	555.3	555.3

600/550/450

FRAME SIZE (inches)	16	18	19	20	22
HORIZONTAL TOP TUBE 'A'	553	574	582	590	610
SEAT TUBE (CENTRE TO TOP) 'B'	410	460	485	510	560
HEAD ANGLE 'C'	70.5	71	71	71	71.5
SEAT ANGLE 'D'	74	73	73	73	72
CHAINSTAYS 'E'	425.5	425.5	425.5	425.5	425.5
TOP TUBE (CENTRES) 'F'	532	552	562	575	592

Web: www.sustrans.org.uk

The National Byway

PO Box 128
Newark
Notts
NG23 6BL
Tel: 01636 636818

Ulster Cycling Federation

60 Hill Street
Lisburn
Co Antrim
BT28 1YE
Tel: 01846.672932

Welsh Cycling Union

15 Palmeria Gardens
Prestatyn
Denbighshire
LL19 9NS
Tel: 01745 888754

Youth Hostels Association

8 St Stephens Hill
St Albans
Herts
AL1 2DY
Tel: 01727 844125

UNITED KINGDOM

RALEIGH INDUSTRIES LTD
Triumph Road
Nottingham NG7 2DD
England
Tel. 0115 942 0202
Fax 0115 942 0214

EIRE

RALEIGH IRELAND LTD
Raleigh House
P O Box 3520
Kylemore Road
Dublin 10
Eire
Tel. +353 1 6261333
Fax +353 1 6261770

HOLLAND

RALEIGH EUROPE B.V.
Kuiperbergweg 14A
1101 AG Amsterdam
The Netherlands
Tel. +31 20 6915254
Fax +31 20 6979622

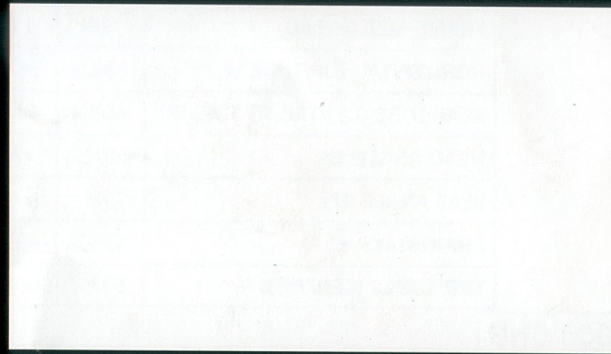
GERMANY

RALEIGH FAHRRÄDER GMBH
Leyer Straße 26
D-49076 Osnabrück
Germany
Tel. +49 5411 39090
Fax +49 5411 390931

BELGIUM

RALEIGH B.V.B.A.
Regent Building
Uitbreidingstraat 46
2600 Berchem
Belgium
Tel. +32 3 2813100
Fax +32 3 2309250

THE RALEIGH GUARANTEE All Raleigh Special Products bikes conform to BS 6102 (British standards for bicycles). They are so well constructed, we guarantee all non-suspension frames and forks for a full 15 years. Suspension and aluminium frames carry a 5 year warranty. All frames purchased as framesets, suspension attachments points and suspension related equipment including forks and all other bicycle parts carry a 1 year warranty. For full details call 0115 942 0202 or 07000-Raleigh.



Colours printed in this catalogue are as near as possible to the manufactured Raleigh product. The paper used in the production of this catalogue has environmental accreditation ISO 14001. Models are for illustration purposes only. For an accurate comparison we recommend you see the actual product on display at your Raleigh stockist. Due to our policy of continual improvement, product specification and appearance may change while this catalogue is still in use.

Issue date: October 1998. Designed and produced by Cross Hill Conwill, Nottingham, England.