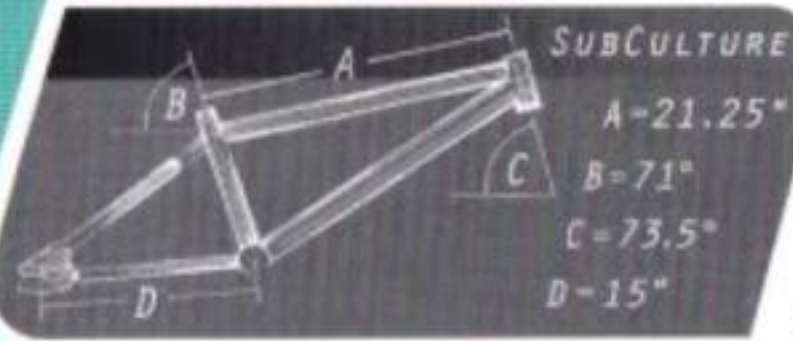




**BMX**  
**1 9 9 8**



# SUBCULTURE



**SIZE:** Pro XL **FRAME:** Oversized 7005 heat treated aluminum **FORK:** 4130 cro-moly tapered  
**CRANK:** 1pc. cro-moly with 44t. chainring  
**TIRES:** Tioga Comp 3 **BRAKES:** Tektro alloy linear pull  
**STEM:** Alloy 4-bolt ahead **HEADSET:** Dia-Compe Aheadset

For those with an eye for tradition, we also make aluminum rides in a diamond frame. These race-ready machines deliver all the performance of an aluminum bike, without the sticker shock. The SubCulture, SubAtomicSS and SubAtomic have all the great features and still leave you money to go to the races.



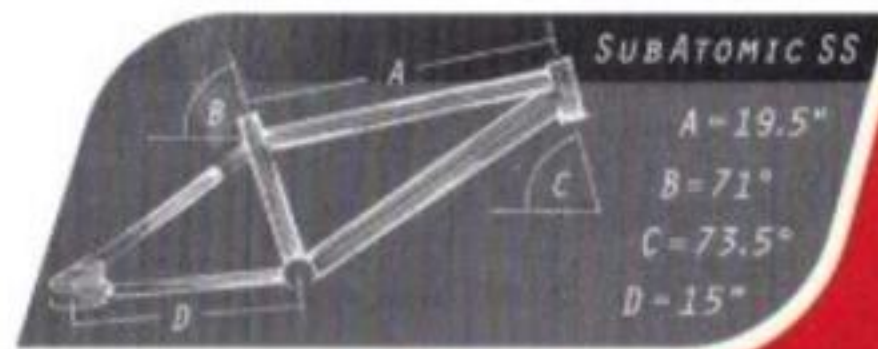
**FINISH:**

MATTE ROYAL BLUE

**FINISH:**  
 BALL BURNISHED ALUMINUM



**SIZE:** Expert **FRAME:** Oversized 7005 heat treated aluminum **FORK:** 4130 cro-moly tapered  
**CRANK:** 1pc. cro-moly with 44t. chainring **TIRES:** Comp 3 style **BRAKES:** Tektro alloy linear pull  
**STEM:** Alloy 4-bolt ahead **HEADSET:** Dia-Compe Aheadset



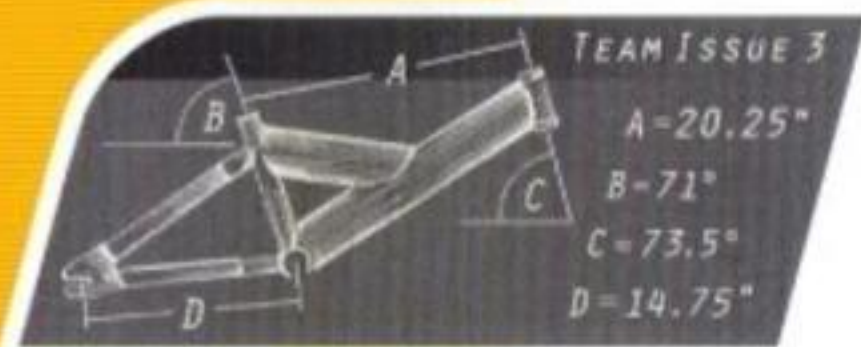
ALSO IN  
 BALL BURNISHED ALUMINUM

# SUB ATOMICSS



# Team Issue 3

ALPHA PERFORMANCE ALUMINUM™



**SIZE:** Pro **FRAME:** Team Issue Alpha Performance Aluminum™ **FORK:** Tapered blades  
**CRANK:** 175mm 1pc. heat treated with steel/alloy spider and chainring, 44t. **TIRES:** Comp 3 style  
**BRAKES:** Linear pull **STEM:** Trek Jaws™ ahead **HEADSET:** Dia-Compe Aheadset



FINISH:

PLATINUM SILVER

FINISH:

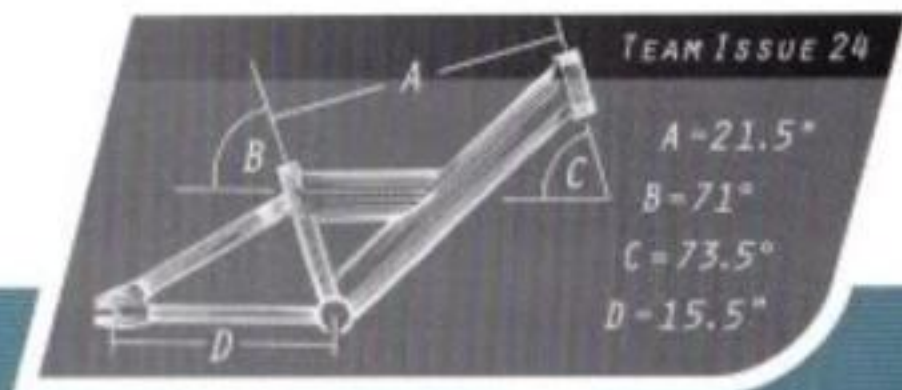
TEAM YELLOW



**SIZE:** Pro Cruiser **FRAME:** Team Issue Alpha Performance Aluminum™  
**FORK:** 4130 cra-moly blades **CRANK:** 175mm 1pc. heat treated with steel/alloy spider and chainring, 44t. **TIRES:** Comp 3 style **BRAKES:** Linear pull  
**STEM:** Trek Jaws™ ahead **HEADSET:** Dia-Compe Aheadset

# Team Issue 24

ALPHA PERFORMANCE ALUMINUM™





# TREK

BMX team

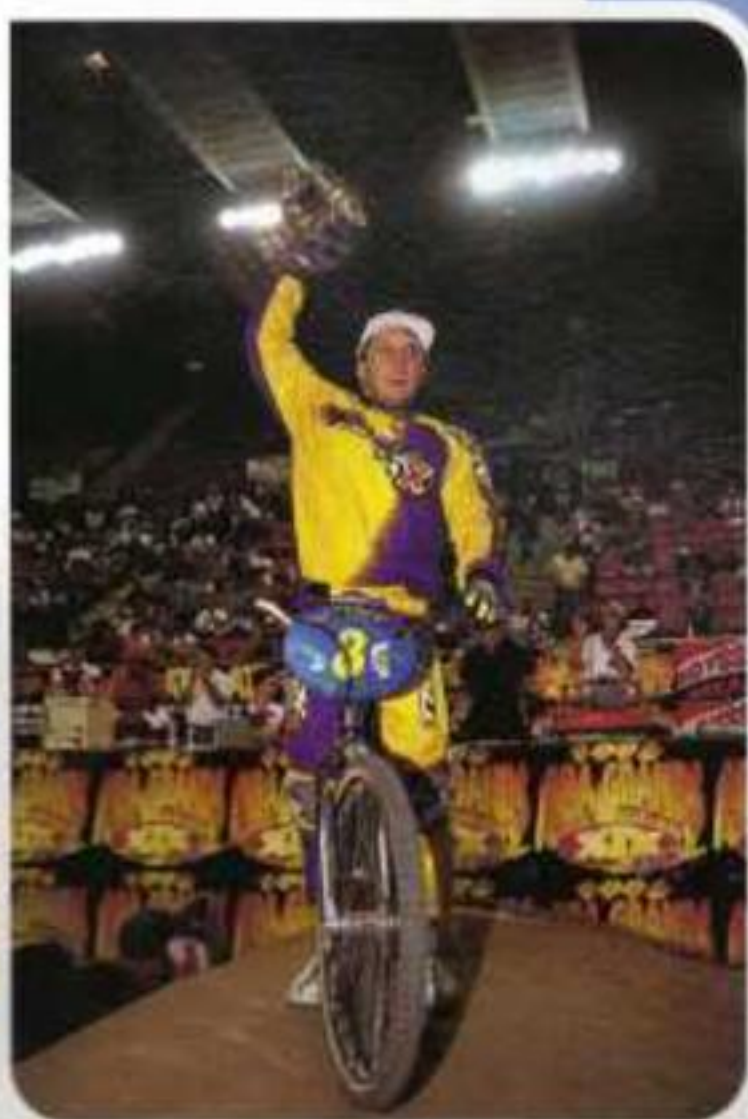
One year, that's all it's taken...

One year for Wade Boates to get the #1 Pro Cruiser plate.

One year to have our two AA Pro racers with top 10 plates.

One year to prove that we build world class BMX frames and bikes that can take you to the winner's circle.

How do we keep the winning streak going? Turn the page.



Photos by Scotti Holligan and Mark Lacey

Wade Boates



Kiyomi Waller



# Wade Bootes \* Team Issue

## Frameset



ALPHA PERFORMANCE ALUMINUM

**SIZE:** Pro XL **FRAME:** Team Issue Alpha Performance Aluminum™ with Mandoval™ downtube and seat boom, oversized stays, chainstay yoke, reinforced headtube, 1/4" dropouts with chain tensioners  
**FORK:** Full 4130 cro-moly

Team Issue design. That's right. Team Issue. The Wade Bootes Team Issue signature pro frameset features "Mandoval" main-frame tubing, Trek chainstay yoke, monostay and aero rear frame tubing. It's all here.



FINISH:

TEAM YELLOW

FINISH:

VIPER BLUE / POLISHED ALUMINUM

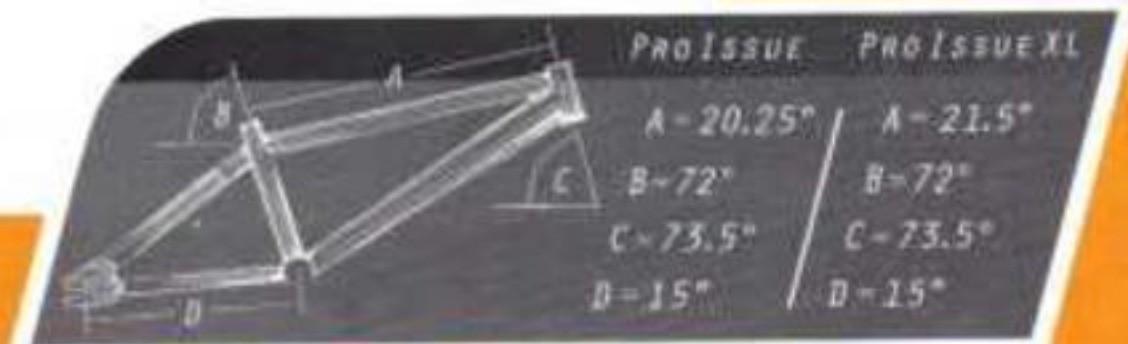


**SIZE:** Pro and Pro XL **FRAME:** Alpha Performance Aluminum™ with oversized down tube, oversized stays, chainstay yoke, reinforced headtube, 1/4" dropouts with chain tensioners  
**FORK:** Full 4130 cro-moly

**Pro Issue** and

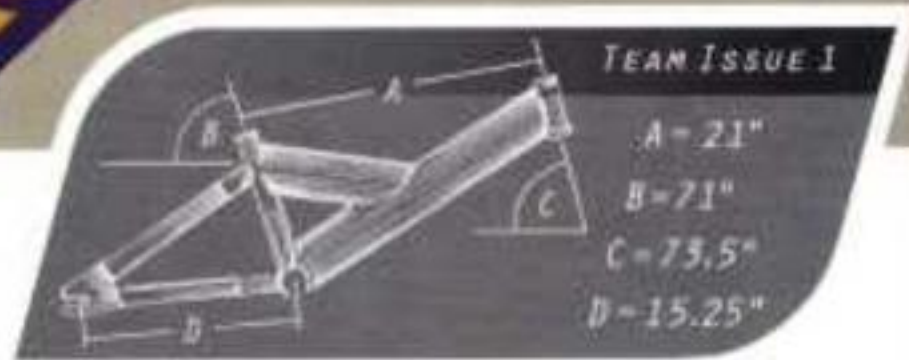
**Pro Issue XL** **Framesets**

ALPHA PERFORMANCE ALUMINUM





# Team Issue 1



ALPHA PERFORMANCE ALUMINUM

SIZE: Pro XL FRAME: Team Issue Alpha Performance Aluminum  
 FORK: Full 4130 cro-moly CRANK: 180mm, 3pc. cro-moly,  
 Trek design, sealed bearing HUBS: Formula cassette, sealed bearing  
 RIMS: Araya 7x, 36h. TIRES: Tioga Comp 3 BRAKES: Shimano  
 V-brake and lever STEM: Trek Jaws™ ahead

The '98 Trek Team Issue alloy frames are built with all the technology found in the Wade Bootes Team Issue signature pro frameset, with solid specs to make each bike a hero.

Gimmicks don't work in BMX, but innovation does.



FINISH:

BLAZE RED

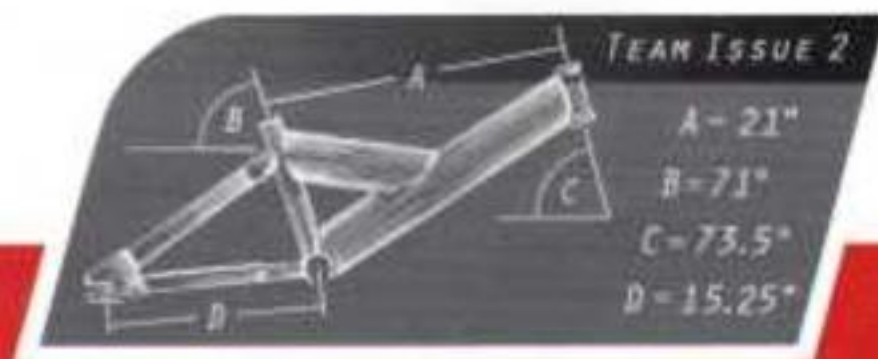
FINISH:

BLACK PEARL



SIZE: Pro XL FRAME: Team Issue Alpha Performance Aluminum  
 FORK: Full 4130 cro-moly CRANK: 180mm 1pc. cro-moly with steel/alloy  
 spider and chainring, 44t. TIRES: Comp 3 style BRAKES: Linear pull  
 STEM: Trek Jaws™ ahead HEADSET: Dia-Compe Aheadset

# Team Issue 2



ALPHA PERFORMANCE ALUMINUM



# SUB ATOMIC

## SUBATOMIC



A = 19.5°  
B = 71°  
C = 73.5°  
D = 15°

**SIZE:** Expert **FRAME:** Oversized 7005 heat treated aluminum  
**FORK:** Tapered, 4130 cro-moly steer tube **CRANK:** 2pc. heat treated with 44t. chainring **TIRES:** Comp 3 style **BRAKES:** Linear pull  
**STEM:** Alloy 4-bolt ahead **HEADSET:** Dia-Compe Aheadset  
**GRIPS:** Trek logo Kraton rubber with replaceable end caps



**FINISH:**

TIDAL BLUE

**FINISH:**

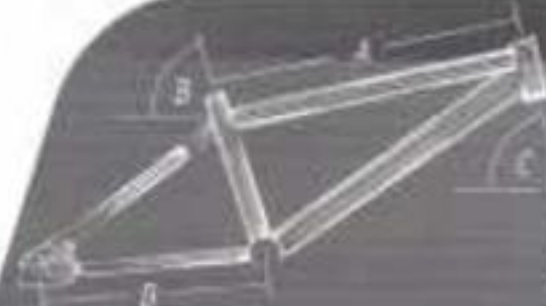
MATTE GREY GREEN



**SIZE:** Pro **FRAME:** Full 4130 cro-moly  
**FORK:** Full 4130 cro-moly **CRANK:** 175mm, 1pc. cro-moly with Trek design spider and chainring **TIRES:** Comp 3 style **BRAKES:** Linear pull  
**STEM:** Trek Jaws ahead **HEADSET:** Dia-Compe Aheadset  
**GRIPS:** Trek logo Kraton rubber with replaceable end caps

# SUB HEAD

## SUBHEAD



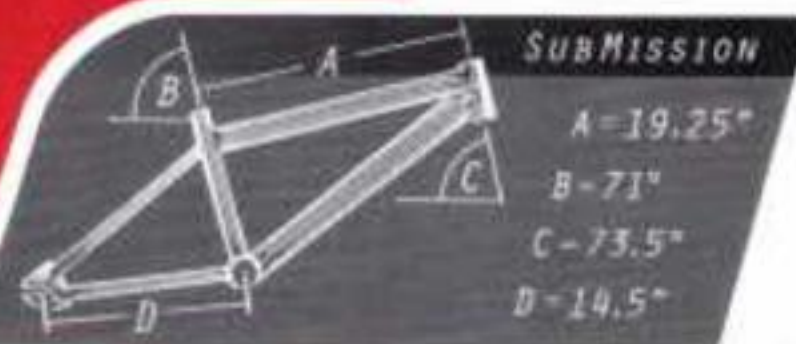
A = 20.25°  
B = 71°  
C = 73.5°  
D = 14.75°





# SUBMISSION

ALSO IN  
CHROME W/LEMON DECALS



**SIZE:** Expert **FRAME:** 4130 chromoly monotube **FORK:** Oversized  
**CRANK:** 1pc. with Trek design spider and 44t. chainring **TIRES:** Comp 3 style  
**BRAKES:** Linear pull **STEM:** Trek Jaws ahead **HEADSET:** Dia-Compe Aheadset  
**GRIPS:** Trek logo Kraton rubber with replaceable end caps

It all starts here... the Trek steel framed BMX bikes. The technology that we've put into these frames that others have ignored is what makes them the best. Longer frames, beefier tubing, thick dropouts and tapered blade forks combined with the new Trek components give you all the strength, innovations and style you need to succeed.



**FINISH:**

ICE RED

**FINISH:**

MELLOW GOLD

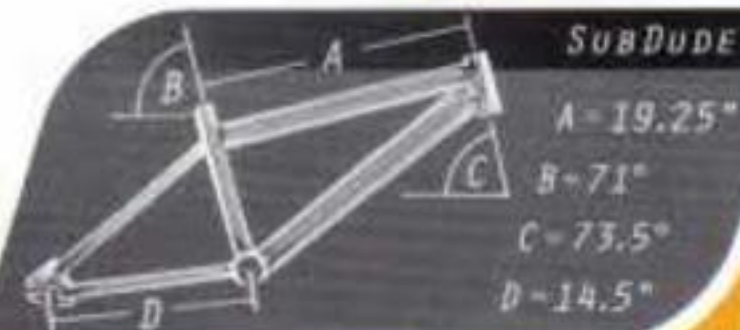


**SIZE:** Expert **FRAME:** Oversized **FORK:** Oversized  
**CRANK:** 1pc. with Trek design spider and 44t. chainring **TIRES:** Comp 3 style  
**BRAKES:** Linear pull **STEM:** 4-bolt alloy **GRIPS:** Trek logo Kraton rubber with replaceable end caps



ALSO IN  
CHROME W/LIME DECALS

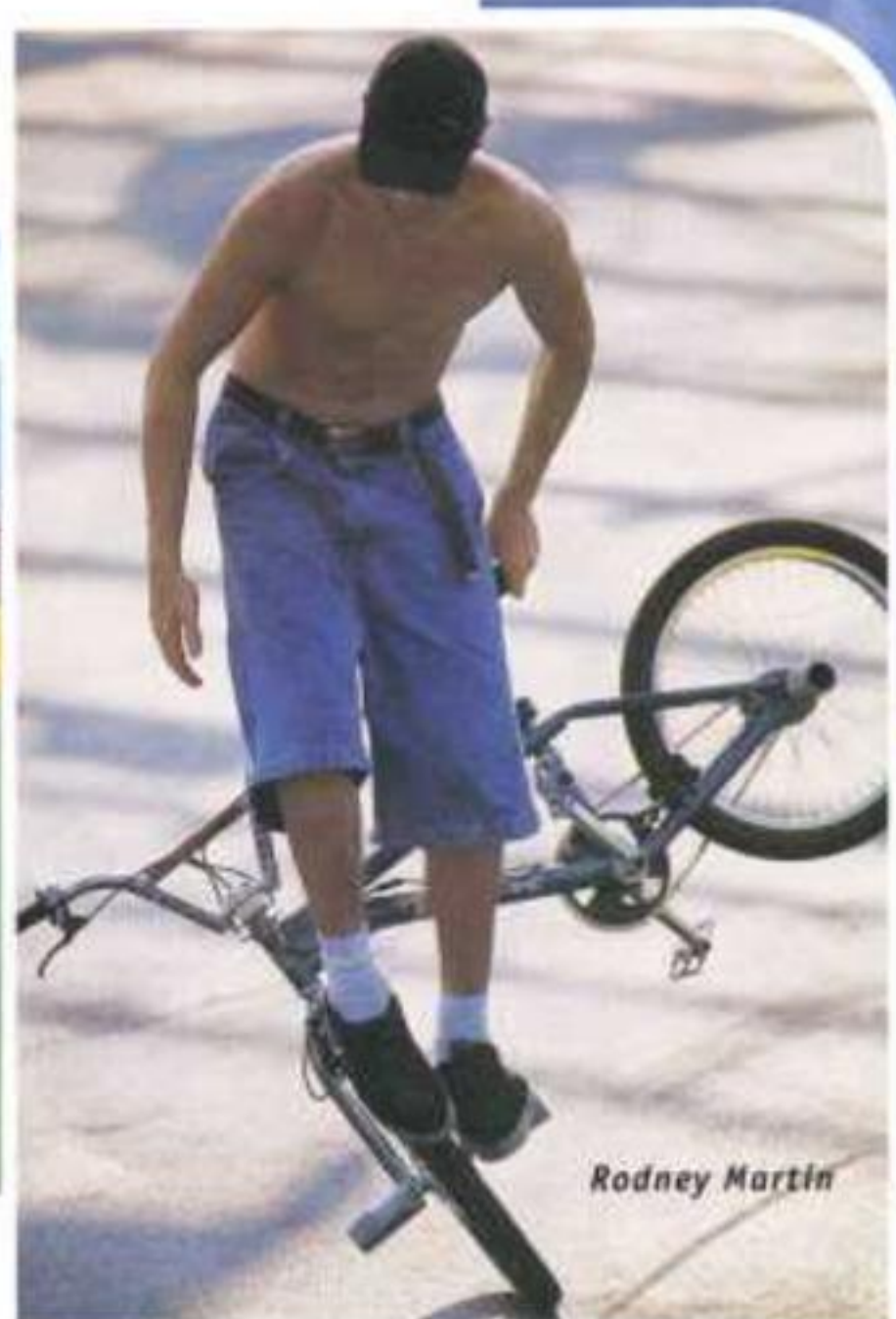
# Sub DUDE





# TREK

bicycle  
stunt team



Rodney Martin



The SubVert 3.0G



Mike Kaiser



Bill Thompson

Jimmy Walker



With over 500 shows under their belts this year, to the delight of thousands of adoring fans, the Trek Bicycle Stunt riders have run their bikes through the best torture test known to man... real life use. After the smoke cleared from all the smashing and bashing, the Trek Stunt riders put together the hottest new line of freestyle bikes, frames and parts to hit the streets in years.

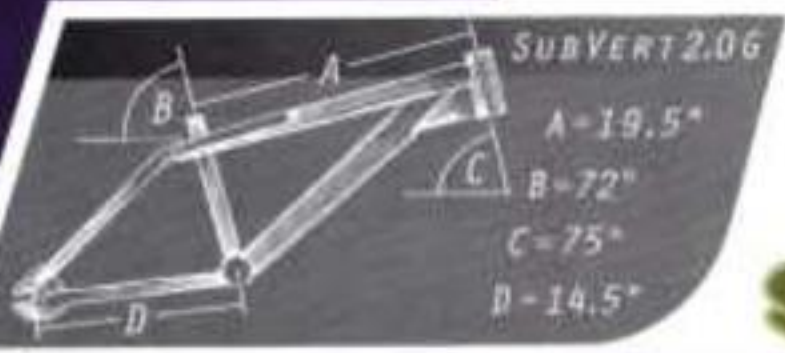
The '98 Trek Freestyle bikes. Designed by the people who know how to build them... the riders.



**FINISH:**  
BLUE MOON



**SIZE:** All-around **FRAME:** 4130 cro-moly main frame  
**FORK:** 4130 cro-moly steer **CRANK:** 1pc. with Trek design 44t. chainring  
**RIMS:** Femco 48h. **TIRES:** Prima style **BRAKES:** Dia-Compe 990 U-brake  
**ROTOR:** Odyssey Gyro 2 **PEGS:** Trek steel rear, 14mm axle **GRIPS:** Trek logo  
Kraton rubber with replaceable end caps

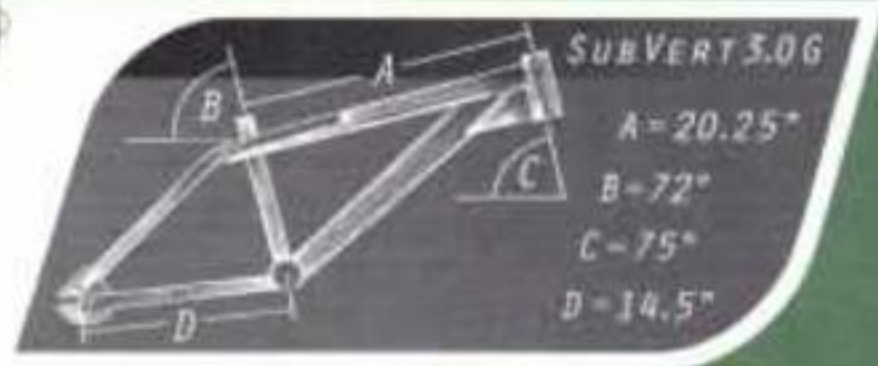


**SUBVERT 2.0G**  
A=19.5°  
B=72°  
C=75°  
D=14.5°

**Subvert** 2.0

**Subvert** 3.0

ALSO AVAILABLE AS FRAMESET



**SUBVERT 3.0G**  
A=20.25°  
B=72°  
C=75°  
D=14.5°

**SIZE:** Vert **FRAME:** Full 4130 cro-moly  
**FORK:** Full 4130 cro-moly **CRANK:** 175mm. 1pc. cro-moly  
with alloy 44t. chainring **RIMS:** Femco 48h. **TIRES:** Prima style  
**BRAKES:** Dia-Compe 990 U-brake with Tech 77 lever **ROTOR:** Fishbone UFO  
**HEADSET:** Dia-Compe Aheadset **PEGS:** Trek alloy front and rear, 14mm axles  
**GRIPS:** Trek logo Kraton rubber with replaceable end caps



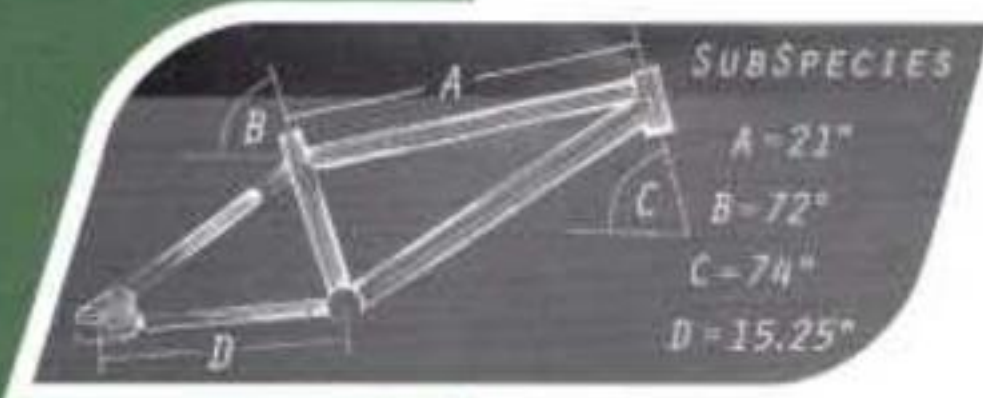
**FINISH:**  
TEAM PURPLE



**FINISH:**  
MELLOW GOLD

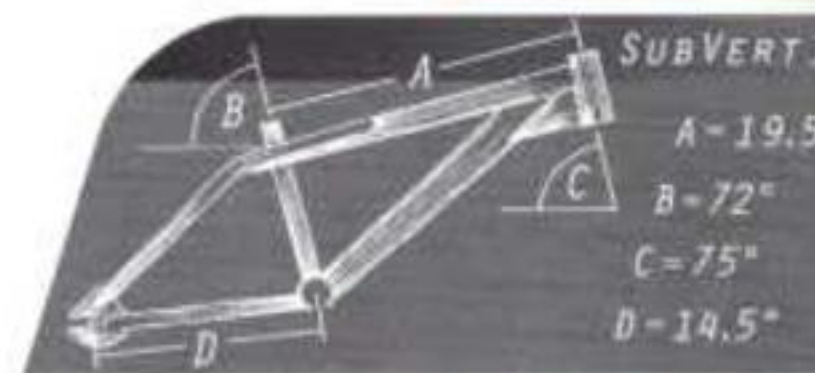


**FRAME:** Oversized full 4130 cro-moly  
**FORK:** 4130 cro-moly tapered **CRANK:** 1pc. cro-moly with 44t. chainring  
**RIMS:** Alloy 48h. **TIRES:** Comp 3 style  
**BRAKES:** Linear pull **STEM:** Alloy 4-bolt ahead  
**HEADSET:** Dia-Compe Aheadset



**Subvert** 1.0

ALSO IN CHROME W/CREAM/GREEN DECALS



**SIZE:** All-around **FRAME:** 4130 cro-moly monotube  
**FORK:** Oversized **CRANK:** 1pc. with Trek design 44t. chainring  
**RIMS:** Femco 48h. **TIRES:** Primo style **ROTOR:** Odyssey Giro 2  
**GRIPS:** Trek logo Kraton rubber with replaceable end caps



**FINISH:**  
MATTE CHROME



# components

**KEYLAR SADDLE**  
 • 7MM CRO-MOLY RAILS  
 • TREK EMBROIDERY



**CRO-MOLY BARS**  
 • 8.25" RISE  
 • 7° SWEEP  
 • .065 WALL THICKNESS

**CRO-MOLY LAID-BACK POST**  
 • FOR 25.4 SEAT TUBE  
 • 350MM LENGTH  
 • .065 WALL THICKNESS



**CNC SPROCKETS**  
 • 10MM THICK  
 • BRUSHED AND ANODIZED  
 • 42, 44, OR 46 TOOTH



**ALUMINUM AND STEEL PEGS**  
 • BLASTED FINISH WITH AGGRESSIVE KNURL  
 • FIT BOTH 14MM AND 10MM AXLES  
 • TWO POSITION "NO SPIN" BOLTS



**TREK JAWS™ 6061 T-6 ALUMINUM STEM**  
 • BMX/FREESTYLE  
 • FLIP FLOP FOR 3/8" RISE  
 • TOP LOADING WITH PATENT PENDING JAWS™ BAR CLAMP FOR MORE BAR COVERAGE AND INCREASED CLAMPING POWER

Category	Product Name	Material	Finish	Weight	Length	Width	Height	Notes
Frame	Down Tube	6061 Aluminum	Brushed	1.25 lbs	41.5"	31.5mm	31.5mm	Standard 26.8mm diameter
	Seat Tube	6061 Aluminum	Brushed	1.25 lbs	350mm	25.4mm	31.5mm	Standard 26.8mm diameter
	Head Tube	6061 Aluminum	Brushed	1.25 lbs	140mm	31.5mm	31.5mm	Standard 26.8mm diameter
	Down Tube	6061 Aluminum	Brushed	1.25 lbs	41.5"	31.5mm	31.5mm	Standard 26.8mm diameter
	Seat Tube	6061 Aluminum	Brushed	1.25 lbs	350mm	25.4mm	31.5mm	Standard 26.8mm diameter
	Head Tube	6061 Aluminum	Brushed	1.25 lbs	140mm	31.5mm	31.5mm	Standard 26.8mm diameter
	Down Tube	6061 Aluminum	Brushed	1.25 lbs	41.5"	31.5mm	31.5mm	Standard 26.8mm diameter
	Seat Tube	6061 Aluminum	Brushed	1.25 lbs	350mm	25.4mm	31.5mm	Standard 26.8mm diameter
	Head Tube	6061 Aluminum	Brushed	1.25 lbs	140mm	31.5mm	31.5mm	Standard 26.8mm diameter
	Down Tube	6061 Aluminum	Brushed	1.25 lbs	41.5"	31.5mm	31.5mm	Standard 26.8mm diameter
Front Fork	Blade Fork	6061 Aluminum	Brushed	1.25 lbs	41.5"	31.5mm	31.5mm	Standard 26.8mm diameter
	Blade Fork	6061 Aluminum	Brushed	1.25 lbs	41.5"	31.5mm	31.5mm	Standard 26.8mm diameter
	Blade Fork	6061 Aluminum	Brushed	1.25 lbs	41.5"	31.5mm	31.5mm	Standard 26.8mm diameter
	Blade Fork	6061 Aluminum	Brushed	1.25 lbs	41.5"	31.5mm	31.5mm	Standard 26.8mm diameter
	Blade Fork	6061 Aluminum	Brushed	1.25 lbs	41.5"	31.5mm	31.5mm	Standard 26.8mm diameter
	Blade Fork	6061 Aluminum	Brushed	1.25 lbs	41.5"	31.5mm	31.5mm	Standard 26.8mm diameter
	Blade Fork	6061 Aluminum	Brushed	1.25 lbs	41.5"	31.5mm	31.5mm	Standard 26.8mm diameter
	Blade Fork	6061 Aluminum	Brushed	1.25 lbs	41.5"	31.5mm	31.5mm	Standard 26.8mm diameter
	Blade Fork	6061 Aluminum	Brushed	1.25 lbs	41.5"	31.5mm	31.5mm	Standard 26.8mm diameter
	Blade Fork	6061 Aluminum	Brushed	1.25 lbs	41.5"	31.5mm	31.5mm	Standard 26.8mm diameter
Rear Fork	Blade Fork	6061 Aluminum	Brushed	1.25 lbs	41.5"	31.5mm	31.5mm	Standard 26.8mm diameter
	Blade Fork	6061 Aluminum	Brushed	1.25 lbs	41.5"	31.5mm	31.5mm	Standard 26.8mm diameter
	Blade Fork	6061 Aluminum	Brushed	1.25 lbs	41.5"	31.5mm	31.5mm	Standard 26.8mm diameter
	Blade Fork	6061 Aluminum	Brushed	1.25 lbs	41.5"	31.5mm	31.5mm	Standard 26.8mm diameter
	Blade Fork	6061 Aluminum	Brushed	1.25 lbs	41.5"	31.5mm	31.5mm	Standard 26.8mm diameter
	Blade Fork	6061 Aluminum	Brushed	1.25 lbs	41.5"	31.5mm	31.5mm	Standard 26.8mm diameter
	Blade Fork	6061 Aluminum	Brushed	1.25 lbs	41.5"	31.5mm	31.5mm	Standard 26.8mm diameter
	Blade Fork	6061 Aluminum	Brushed	1.25 lbs	41.5"	31.5mm	31.5mm	Standard 26.8mm diameter
	Blade Fork	6061 Aluminum	Brushed	1.25 lbs	41.5"	31.5mm	31.5mm	Standard 26.8mm diameter
	Blade Fork	6061 Aluminum	Brushed	1.25 lbs	41.5"	31.5mm	31.5mm	Standard 26.8mm diameter

