

# 1998 SPARE PARTS CATALOGUE

## SERIE STERZO ♦ HEADSET ♦ STEUERSATZ ♦ JEU DE DIRECTION

Record.....	1
Record Threadless.....	2
Chorus.....	3
Chorus Threadless.....	4
Athena.....	5
Veloce.....	6
Mirage.....	7
Record Pista.....	8

## MOVIMENTO CENTRALE ♦ BOTTOM BRACKET ♦ TRETLAGER ♦ JEU DE PEDALIER

Record CART.....	9
Chorus CART.....	10
Athena - Racing Triple.....	11
Veloce.....	12
Mirage - Mirage Triple.....	13
Record Pista.....	14

## GUARNITURA ♦ CRANKSET ♦ KURBELSATZ ♦ JEU DE MANIVELLES

Record.....	15
Record Pista.....	16
Chorus.....	17
Athena.....	18
Racing Triple.....	19
Veloce.....	20
Veloce Triple.....	21
Mirage.....	22
Mirage Triple.....	23

Avanti.....	24
Triathlon.....	25

#### CAMBIO ♦ REAR DERAILLEUR ♦ SCHALTWERK ♦ DERAILLEUR ARRIERE

Record <b>9 Speed</b> .....	26
Chorus <b>9 Speed</b> .....	27
Athena <b>9 Speed</b> .....	28
Racing Triple <b>9 Speed</b> .....	29
Veloce <b>9 Speed</b> - Veloce Triple <b>9 Speed</b> .....	30
Mirage - Mirage Triple.....	31
Avanti - Avanti Triple.....	32

#### DERAGLIATORE ♦ FRONT DERAILLEUR ♦ KETTENWERFER ♦ DERAILLEUR AVANT

Record.....	33
Chorus.....	34
Racing Triple.....	35
Veloce.....	36
Veloce Triple.....	37
Avanti.....	38
Avanti Triple.....	39

#### ERGOPOWER ♦ ERGOPOWER ♦ ERGOPOWER ♦ ERGOPOWER

Record <b>9 Speed</b> .....	40
Chorus <b>9 Speed</b> .....	41
Athena <b>9 Speed</b> .....	42
Veloce <b>9 Speed</b> .....	43
Mirage.....	44
Avanti.....	45

#### FRENI ♦ BRAKES ♦ BREMSEN ♦ FREINS

Record.....	46
-------------	----

Chorus.....	47
Athena.....	48
Veloce.....	49
Mirage.....	50
Avanti.....	51

#### COMANDI C/D ◆ SHIFTING LEVERS ◆ RAHMENSCHALTER ◆ POIGNEES DE DERAILLEURS

Record.....	52
Bar-End Triathlon.....	53

#### COMANDI FRENO ◆ BRAKE LEVERS ◆ BREMSHEBEL ◆ POIGNEES DE FREINS

Record.....	54
-------------	----

#### BLOCCAGGI ◆ QUICK RELEASE SKEWERS ◆ SCHNELLSPANNER ◆ BLOCAGES

Record - Bora - Shamal - Electron.....	55
Chorus - Vento - Proton.....	56
Athena - Zonda.....	57
Veloce.....	58
Mirage - Eurus - Avanti.....	59

#### MOZZI ◆ HUBS ◆ NABEN ◆ MOYEUX

Record <b>9 Speed</b> .....	60
Chorus <b>9 Speed</b> .....	62
Athena <b>9 Speed</b> .....	64
Veloce <b>9 Speed</b> .....	64
Mirage.....	67
Avanti.....	68
Record Pista.....	69

#### PIGNONI ◆ SPROCKETS ◆ RITZEL ◆ CASSETTES

Record MK2 <b>9 Speed</b> .....	71
---------------------------------	----

Record Titanium MK2 <b>9 Speed</b> .....	72
Chorus MK2 <b>9 Speed</b> .....	73
<b>9 Speed</b> .....	74
<b>8 Speed</b> .....	75

**PEDALI ♦ PEDALS ♦ PEDALE ♦ PEDALES**

Record PRO-FIT .....	76
Chorus PRO-FIT .....	77
PRO-FIT spare parts .....	78
PRO-FIT spare parts (blister-packed).....	79

**CAVI E GUAINA ♦ CABLES AND CASINGS ♦ KABELN UND HÜLLEN ♦ CABLES ET GAINES**

Complete set.....	80
Spare parts.....	81

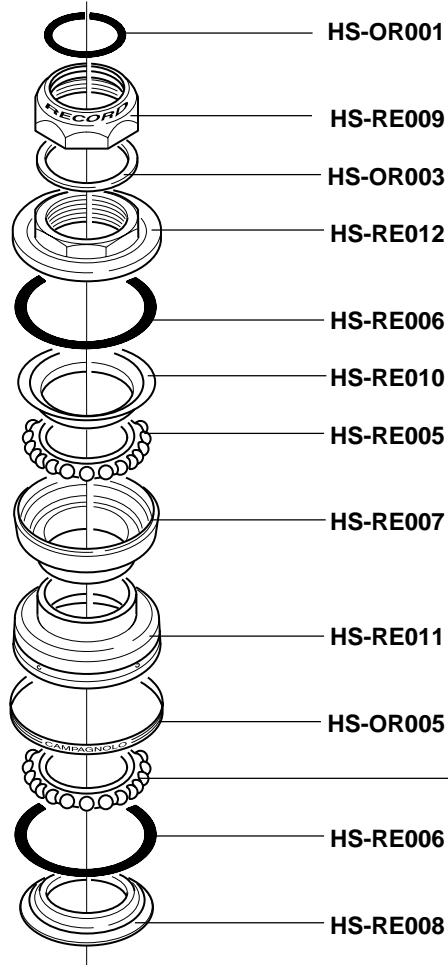
**VARI ♦ VARIOUS ♦ VERSCHIEDENES ♦ DIVERSES**

Various.....	82
--------------	----

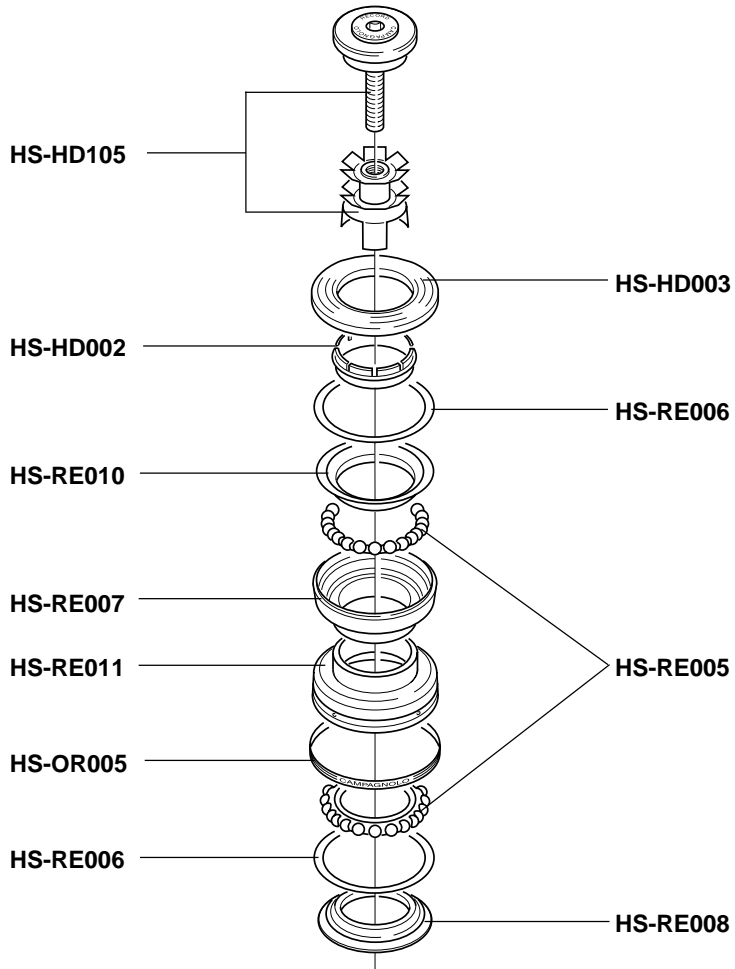
**RUOTE ♦ WHEELS ♦ LAUFRÄDER ♦ ROUES**

Bora Titanium <b>9 Speed</b> .....	83
Shamal Titanium <b>9 Speed</b> .....	86
Shamal Pista.....	89
Vento <b>9 Speed</b> .....	92
Zonda <b>9 Speed</b> .....	95
Scirocco <b>9 Speed - 8 Speed</b> .....	98
Eurus.....	102
Electron <b>9 Speed</b> .....	105
Proton <b>9 Speed</b> .....	108
Glossary.....	111

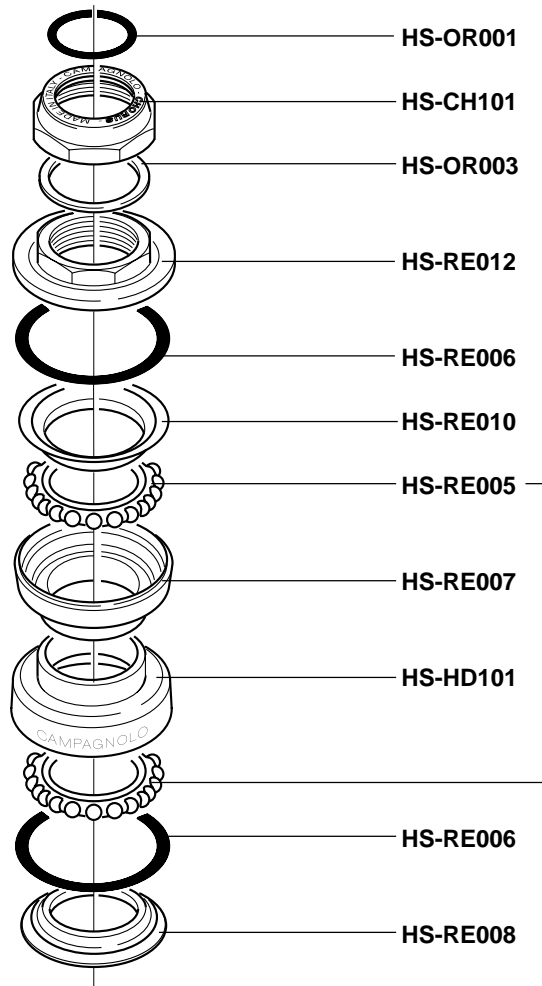
**RECORD**  
**HS-21RE**



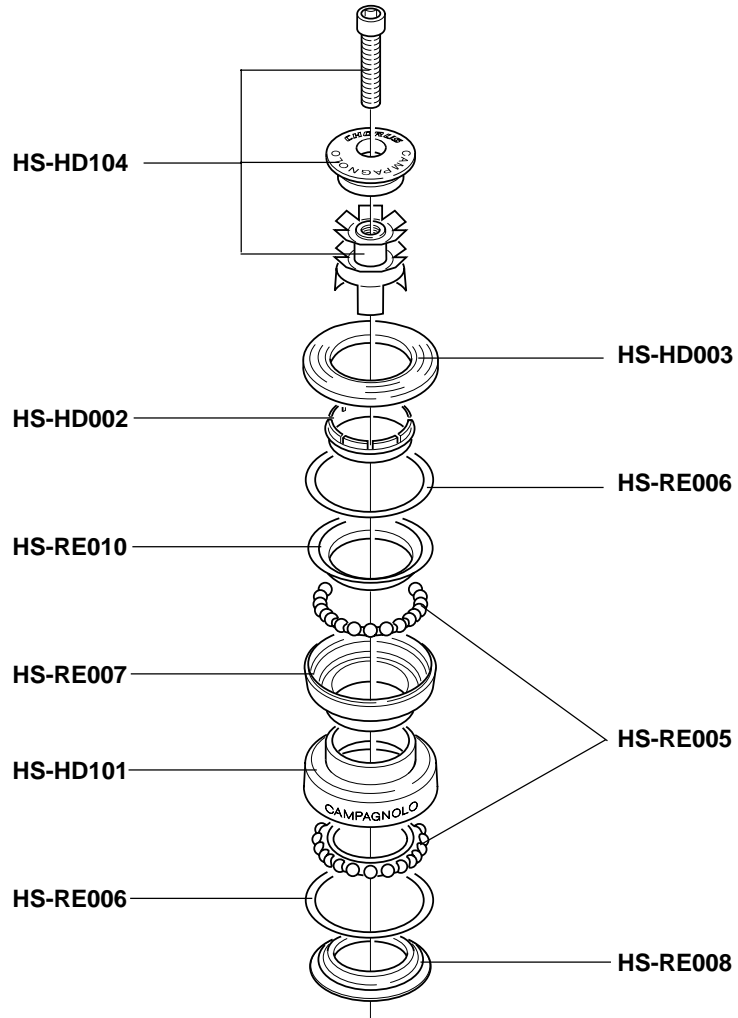
**RECORD  
THREADLESS  
HS-01REHD**



**CHORUS  
HS-21CH**

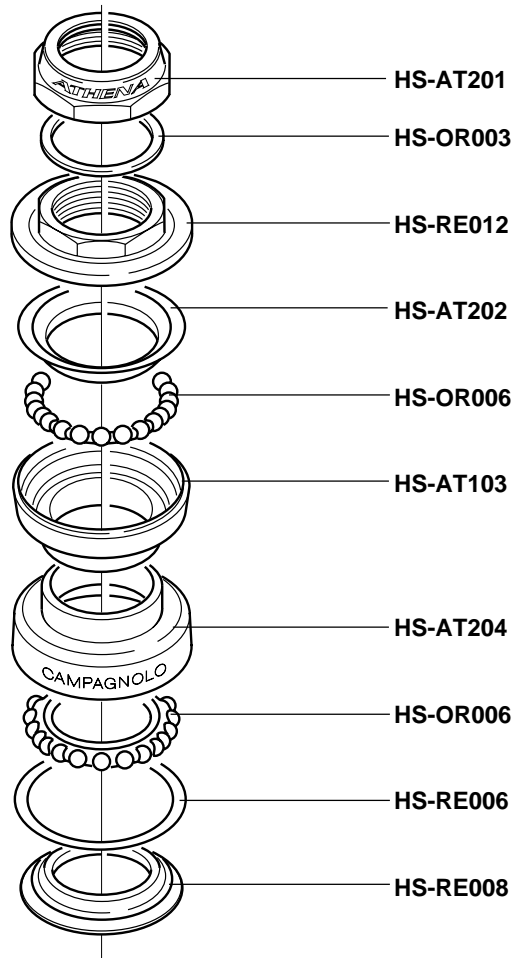


## CHORUS THREADLESS HS-01CHHD

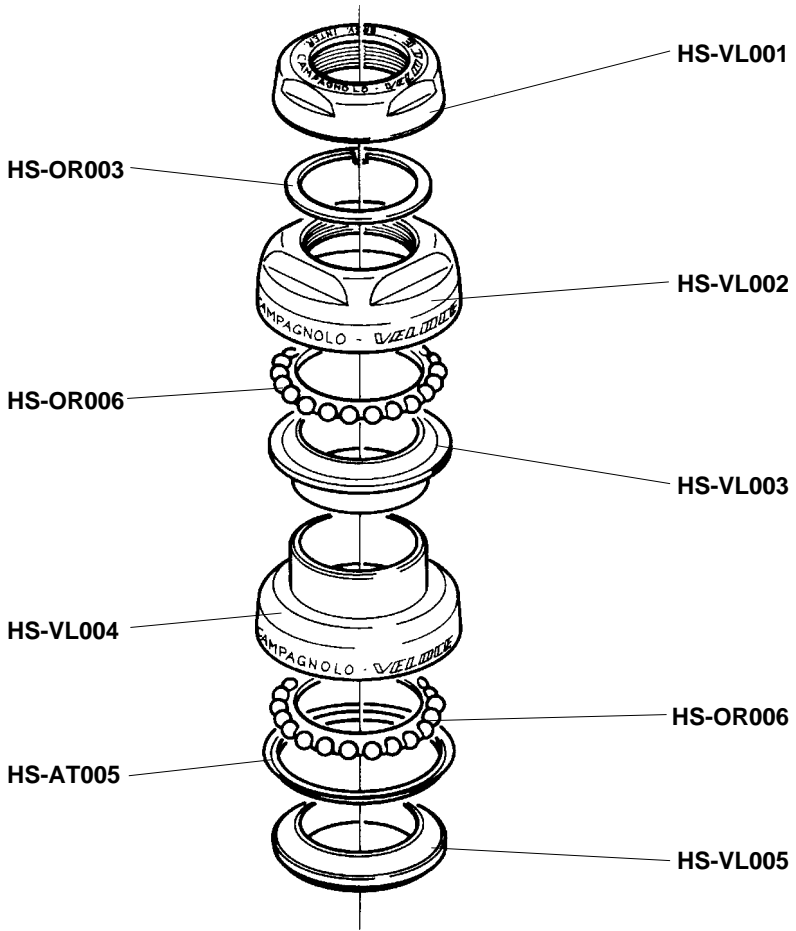




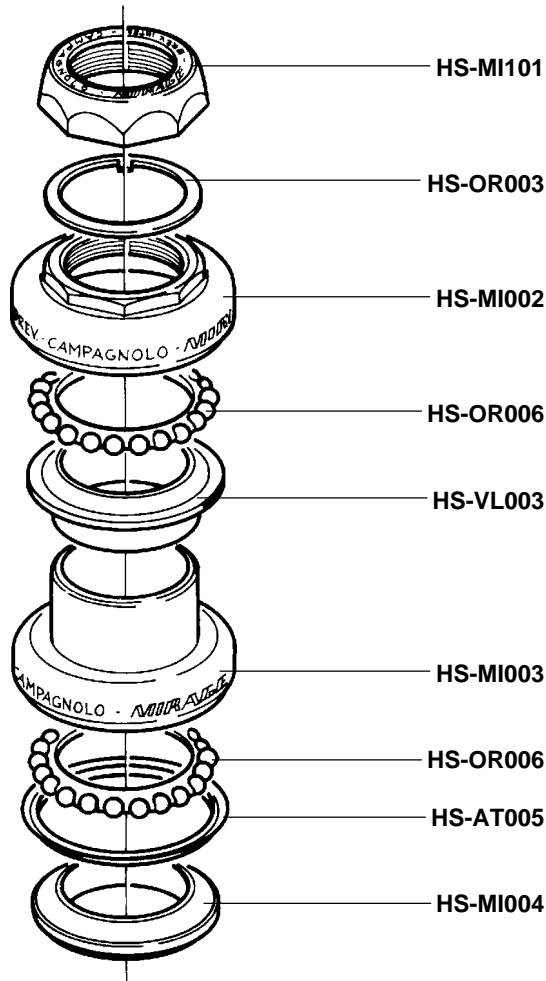
**ATHENA**  
**HS-21AT**



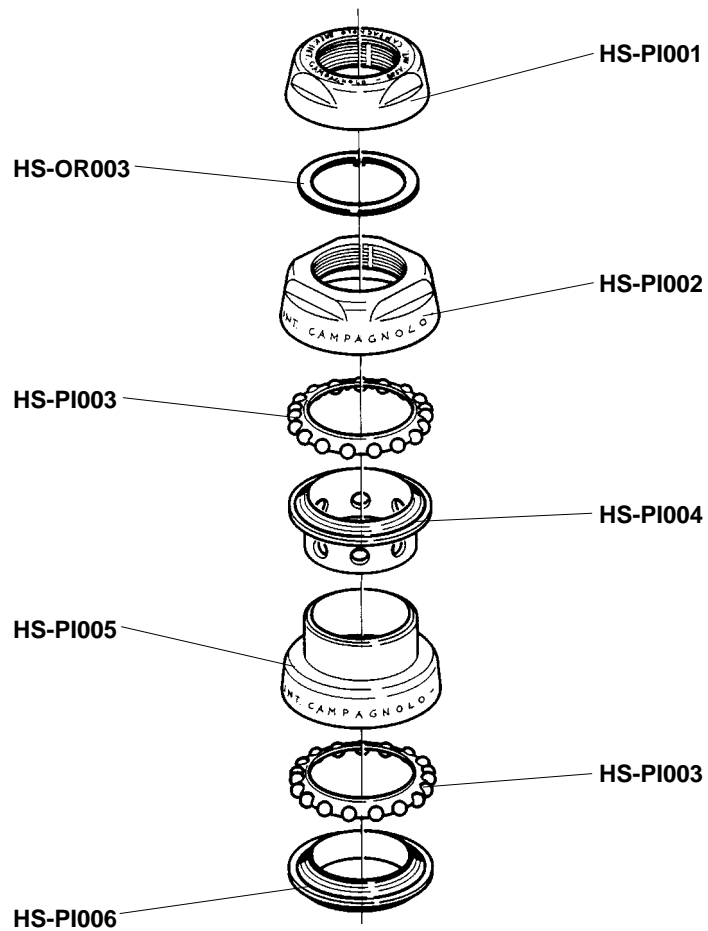
**VELOCE  
HS-21VL**



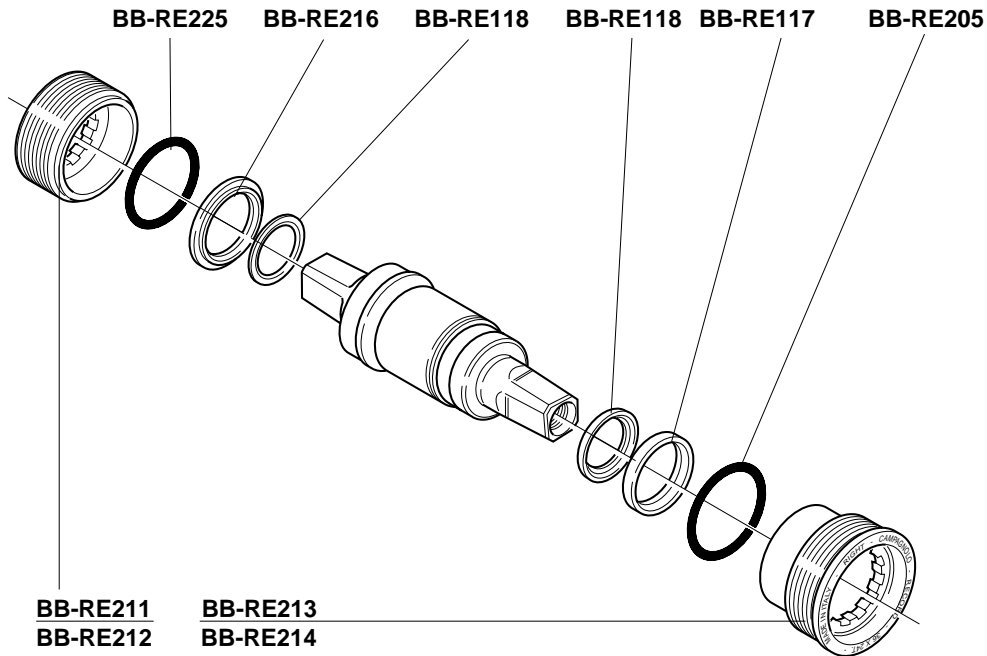
**MIRAGE**  
**HS-11MI**



## RECORD PISTA HS-03PI



**RECORD**  
**IT: BB-31RE CART**  
**BC: BB-33RE CART**



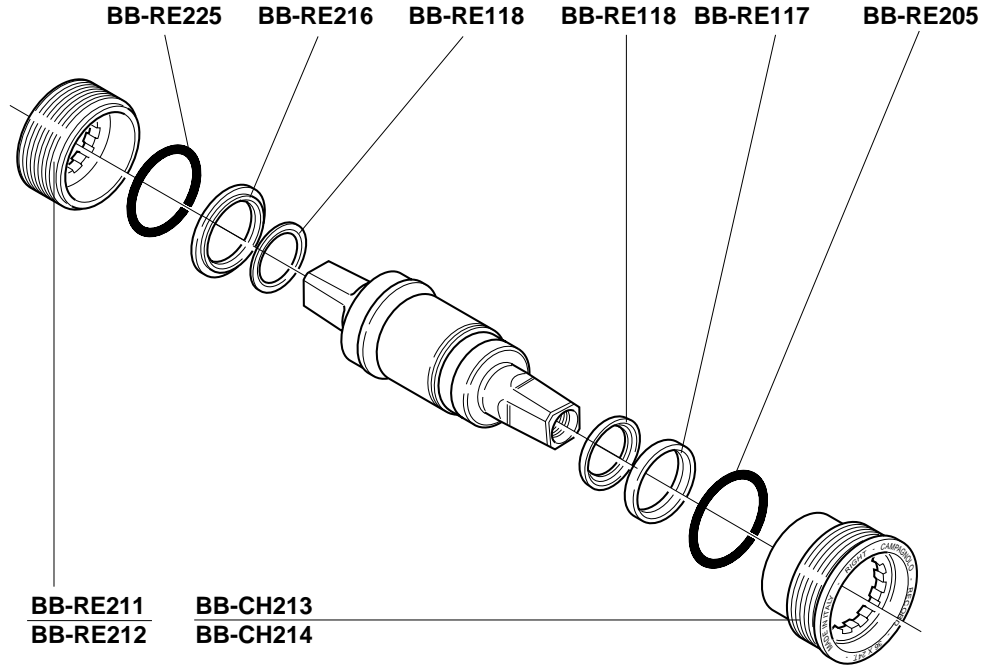
**ITALIAN:** BB-RE211  
**ENGLISH:** BB-RE212

**BB-RE213**  
**BB-RE214**

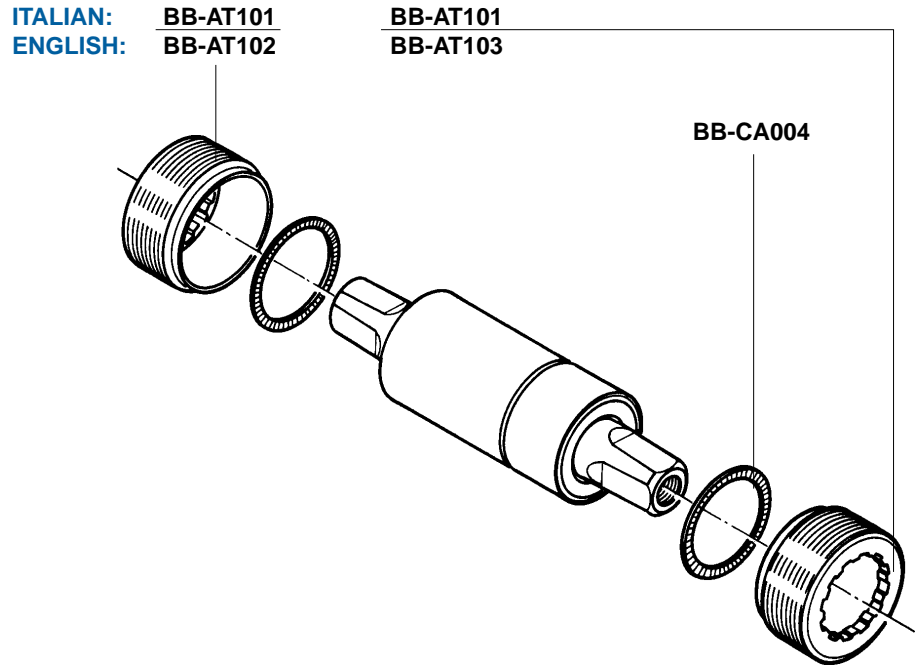
**CHORUS**

**IT: BB-01CHCART**

**BC: BB-03CHCART**

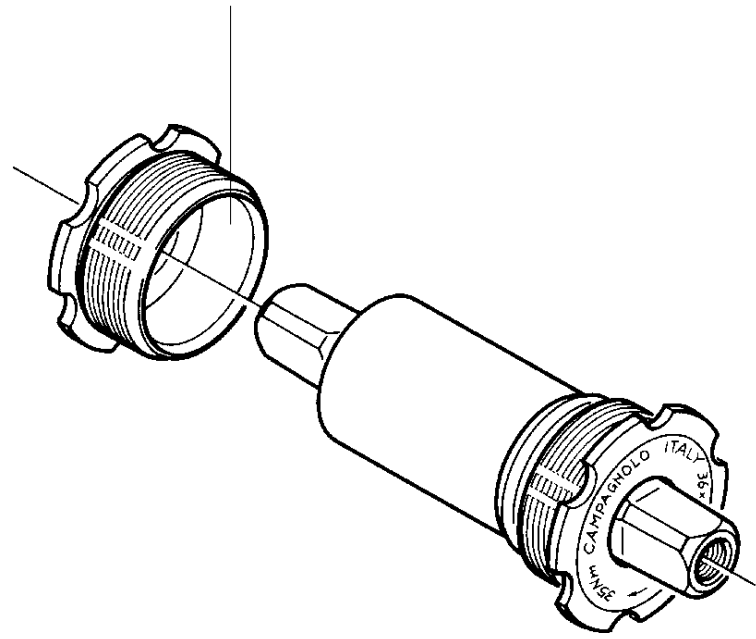


**ATHENA**  
**IT: BB-11ATCART**  
**BC: BB-3ATCART**  
**IT: BB-11RA3**  
**BC: BB-13RA3**



**VELOCE**  
**IT: BB-11VLCART**  
**BC: BB-13VLCART**

ITALIAN: BB-VL001  
ENGLISH: BB-VL003

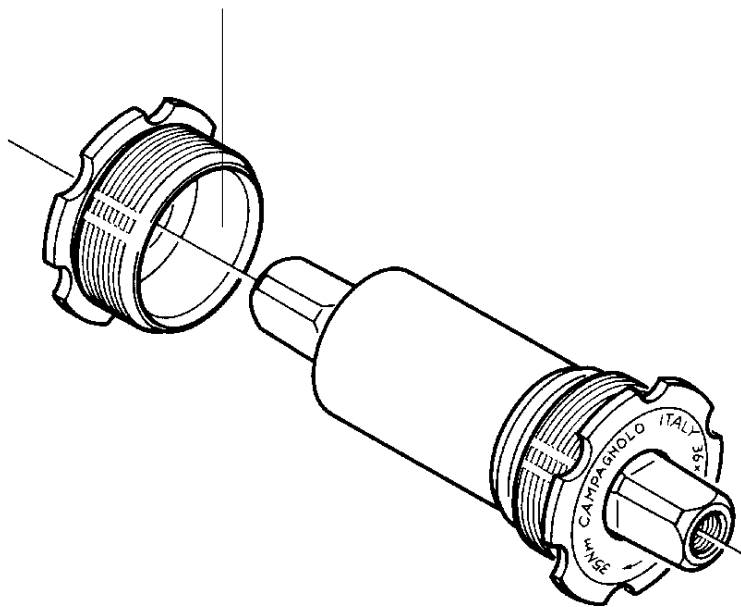




**MIRAGE**  
**IT: BB-11MICART**  
**BC: BB-13MICART**  
**MIRAGE TRIPLE**

**IT: BB-01MI3**  
**BC: BB-03MI3**

**ITALIAN: BB-MI001**  
**ENGLISH: BB-MI003**

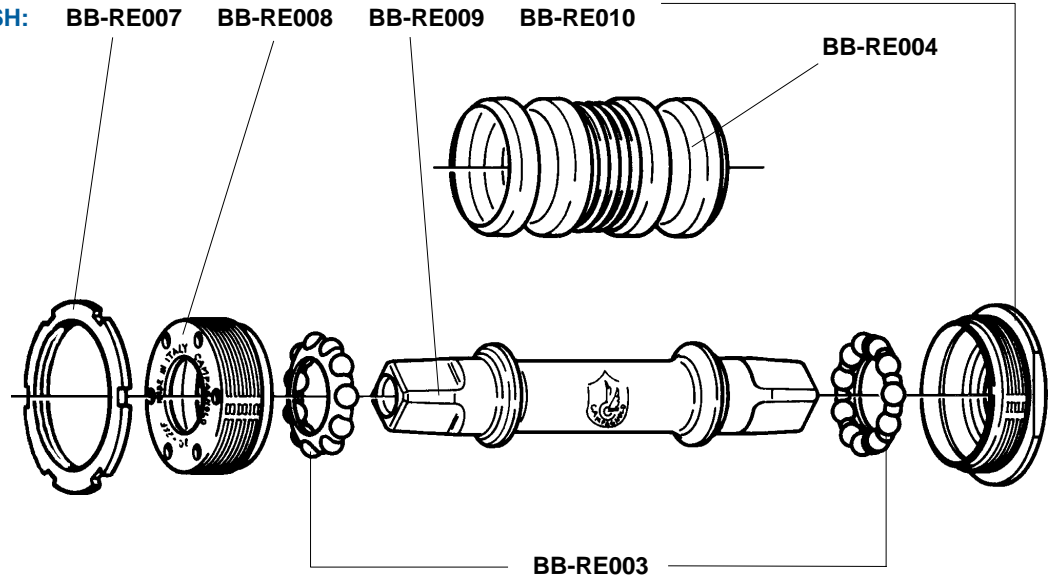


**RECORD PISTA**

**IT: BB-01RE**

**BC: BB-03RE**

ITALIAN: BB-RE001 BB-RE002 BB-RE005 BB-RE006  
ENGLISH: BB-RE007 BB-RE008 BB-RE009 BB-RE010



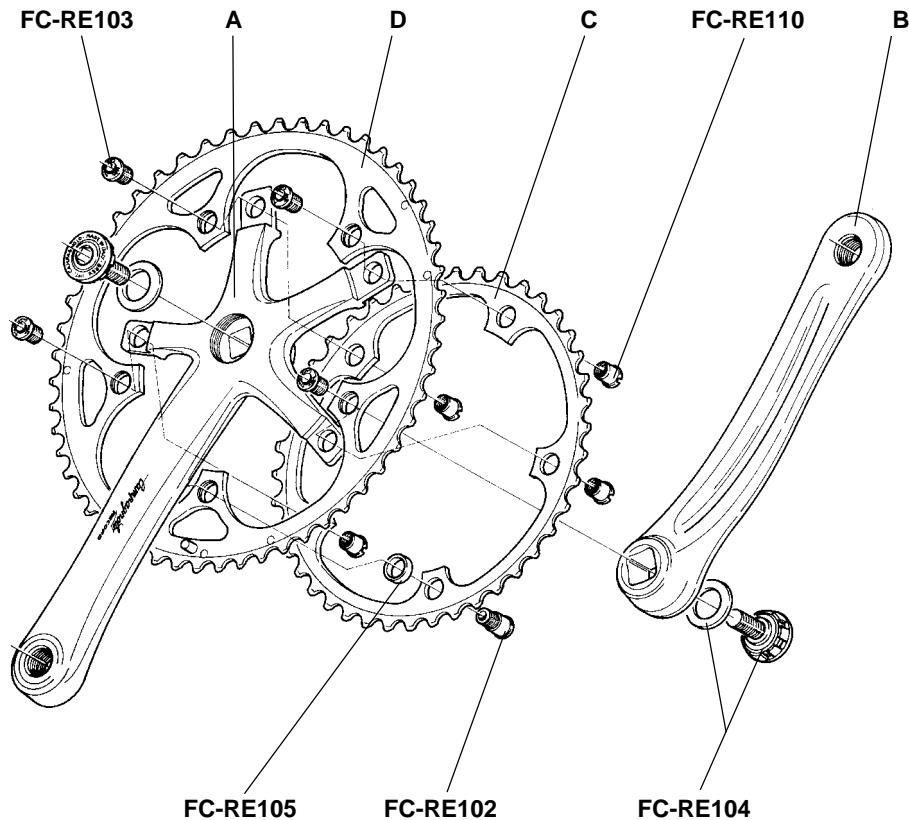
## RECORD FC-21RE

<b>A</b>	L170	FC-RE600
	L172,5	FC-RE601
	L175	FC-RE602

<b>B</b>	L170	FC-RE603
	L172,5	FC-RE604
	L175	FC-RE605

<b>C</b>	Z39	FC-RE039
	Z42	FC-RE042

<b>D</b>	Z52 for 39	FC-RE152
	Z52 for 42	FC-RE352
	Z53 for 39	FC-RE153
	Z53 for 42	FC-RE353

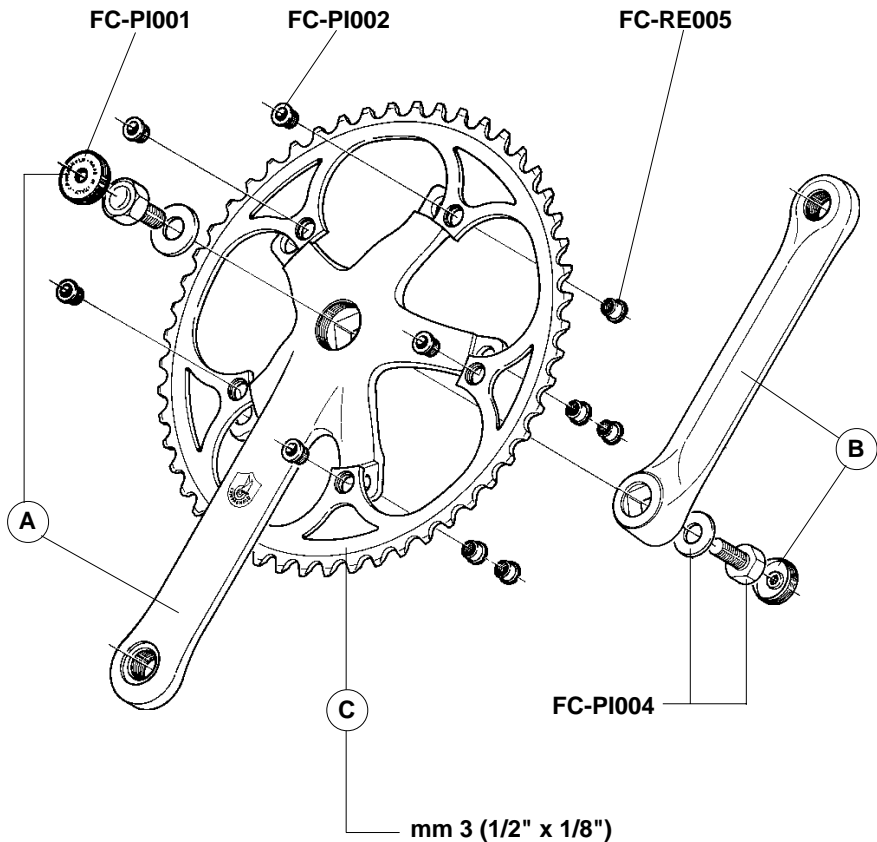


**RECORD PISTA**  
**FC-01PI**

<b>A</b>	L165	FC-PI265
	L170	FC-PI270

<b>B</b>	L165	FC-PI165
	L170	FC-PI170

<b>C</b>	Z47	FC-PI047
	Z48	FC-PI048
	Z49	FC-PI049
	Z50	FC-PI050
	Z51	FC-PI051
	Z52	FC-PI052



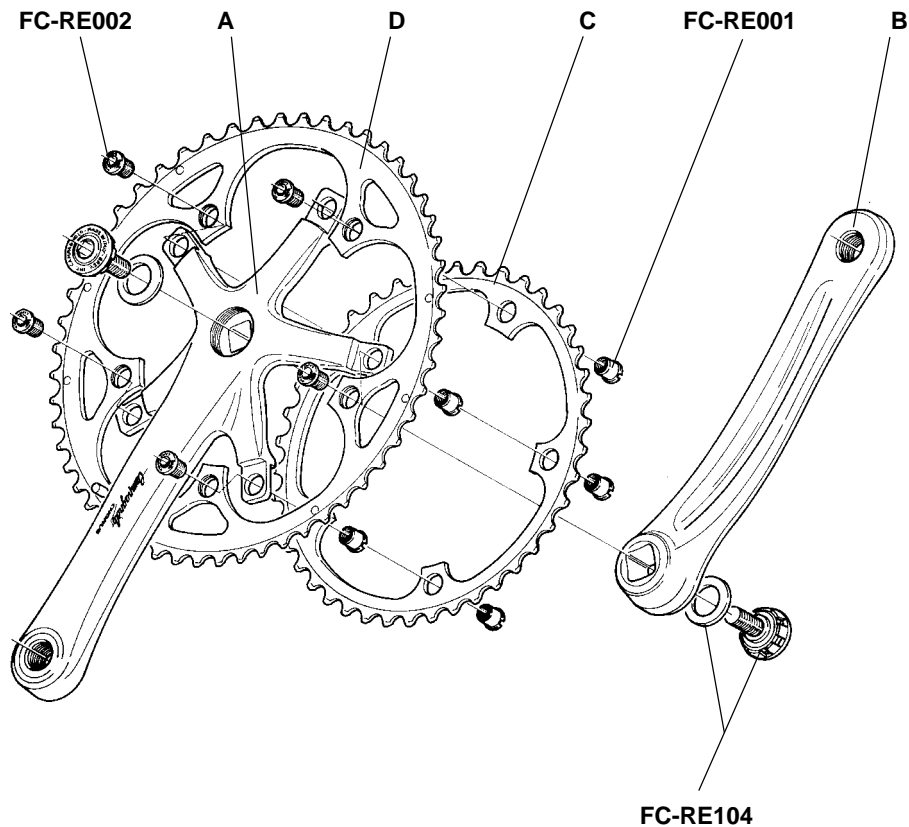
## CHORUS FC-21CH

<b>A</b>	L170	FC-CH606
	L172,5	FC-CH607
	L175	FC-CH608

<b>B</b>	L170	FC-CH633
	L172,5	FC-CH634
	L175	FC-CH635

<b>C</b>	Z39	FC-RE039
	Z42	FC-RE042

<b>D</b>	Z52 for 39	FC-CH152
	Z52 for 42	FC-CH352
	Z53 for 39	FC-CH153
	Z53 for 42	FC-CH353



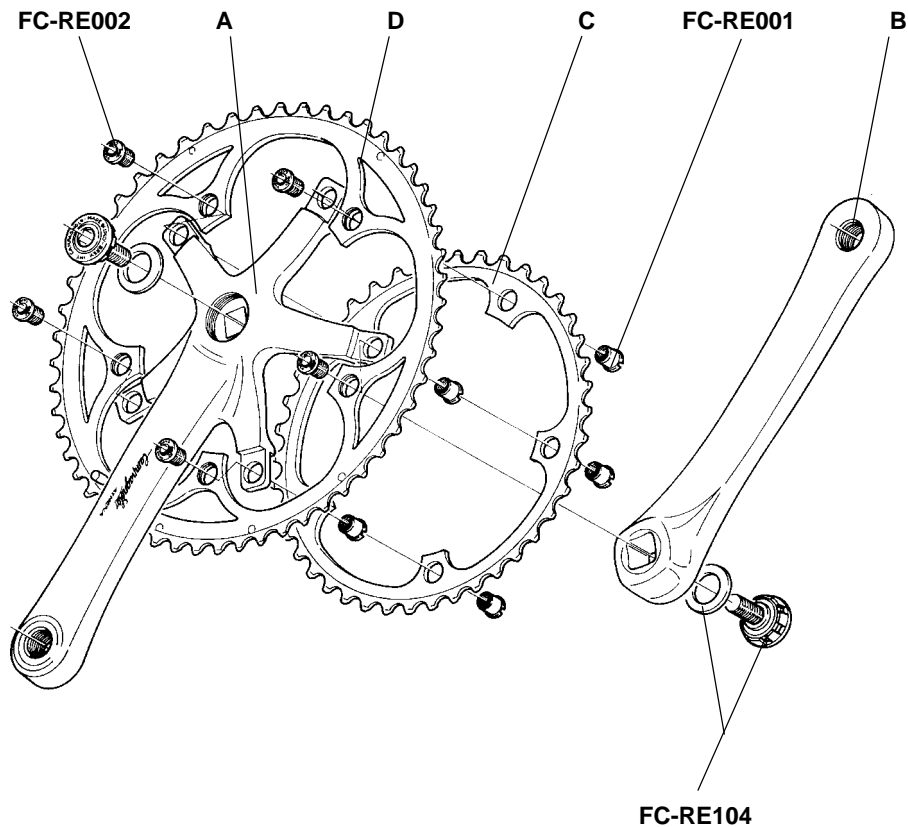
## ATHENA FC-21AT

<b>A</b>	L170	FC-AT609
	L172,5	FC-AT610
	L175	FC-AT611

<b>B</b>	L170	FC-AT612
	L172,5	FC-AT613
	L175	FC-AT614

<b>C</b>	Z39	FC-RE039
	Z42	FC-RE042

<b>D</b>	Z52 for 39	FC-AT152
	Z52 for 42	FC-AT352
	Z53 for 39	FC-AT153
	Z53 for 42	FC-AT353



## RACING TRIPLE FC-11RA3

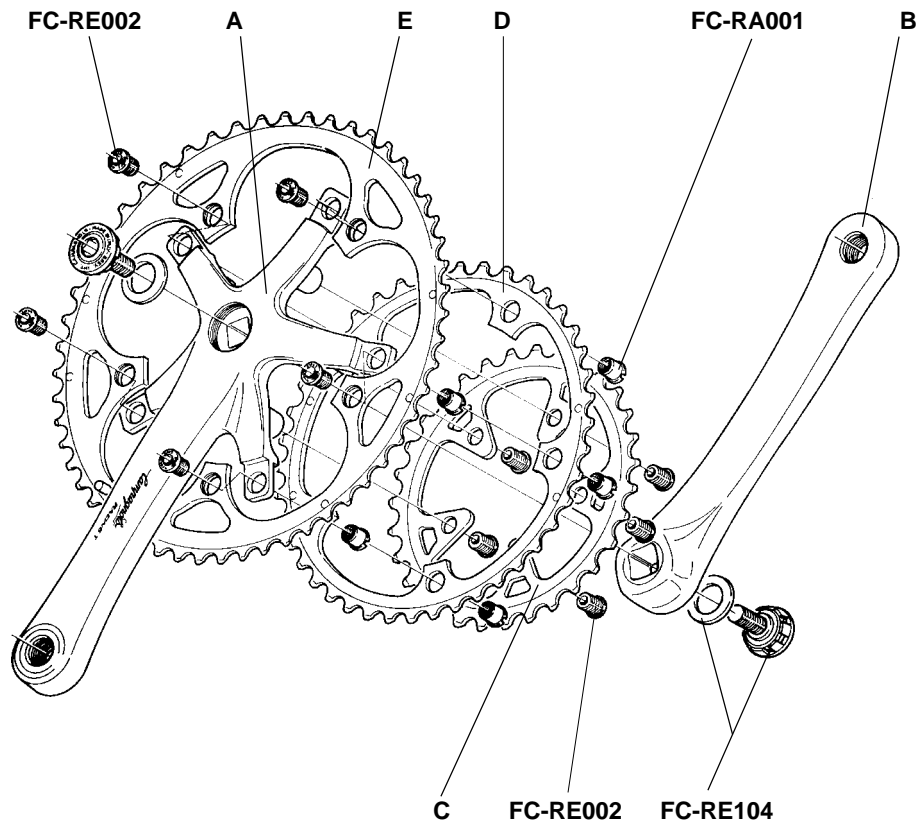
<b>A</b>	L170	FC-RA645
	L175	FC-RA641

<b>B</b>	L170	FC-RA690
	L175	FC-RA691

<b>C</b>	Z30	FC-RA630
	Z32	FC-RA632

<b>D</b>	Z40	FC-RA640
	Z42 for 30	FC-RA642
	Z42 for 32	FC-RA742

<b>E</b>	Z50	FC-RA750
	Z52	FC-AT352



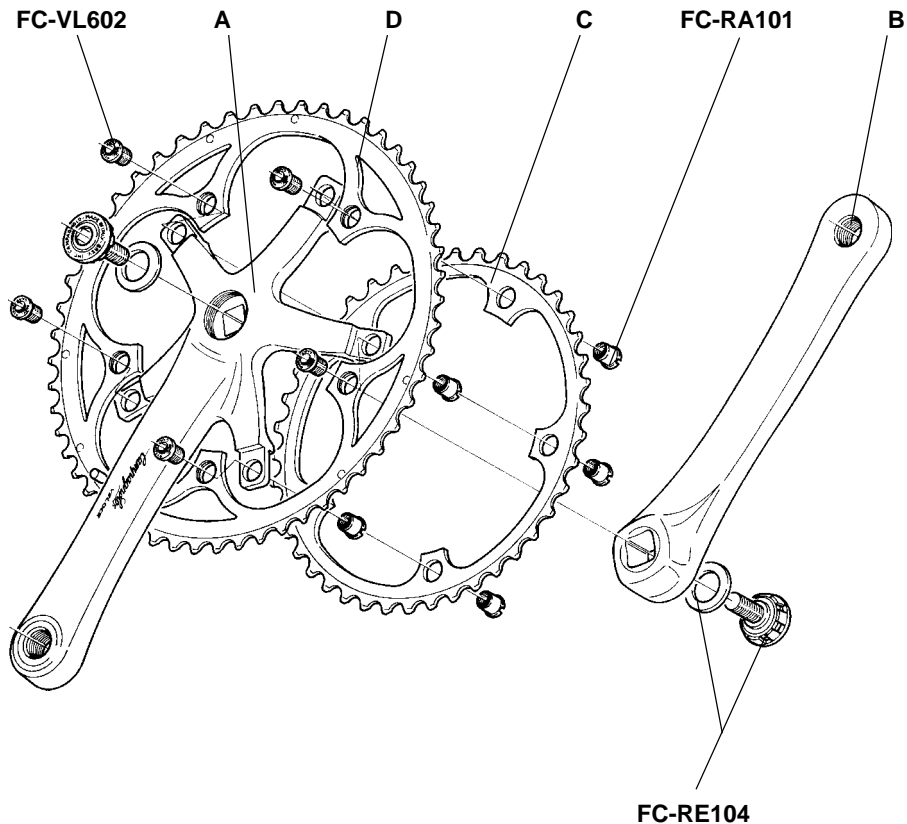
## VELOCE FC-31VL

<b>A</b>	L170	FC-VL700
	L172,5	FC-VL701
	L175	FC-VL702

<b>B</b>	L170	FC-VL703
	L172,5	FC-VL704
	L175	FC-VL705

<b>C</b>	Z39	FC-MI039
	Z42	FC-MI042

<b>D</b>	Z52 for 39	FC-AT152
	Z52 for 42	FC-AT352
	Z53 for 39	FC-AT153
	Z53 for 42	FC-AT353





## VELOCE TRIPLE FC-21VL3

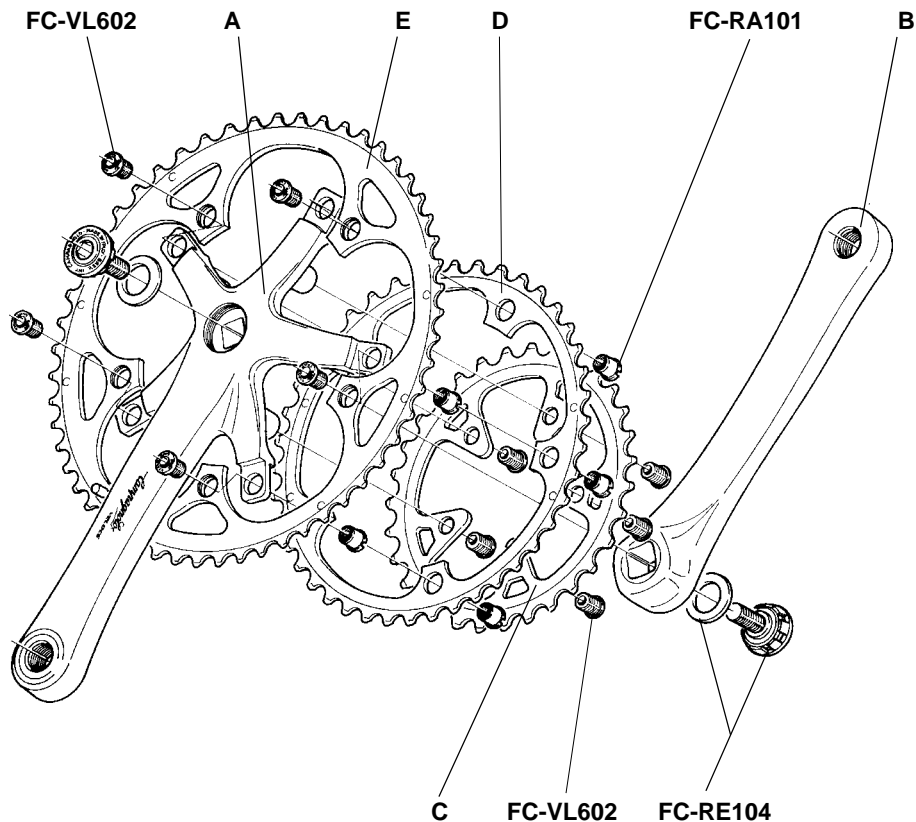
<b>A</b>	L170	FC-VL692
	L175	FC-VL693

<b>B</b>	L170	FC-VL688
	L175	FC-VL689

<b>C</b>	Z30	FC-MI730
	Z32	FC-MI732

<b>D</b>	Z40	FC-RA640
	Z42 for 30	FC-RA642
	Z42 for 32	FC-RA742

<b>E</b>	Z50	FC-RA750
	Z52	FC-AT352



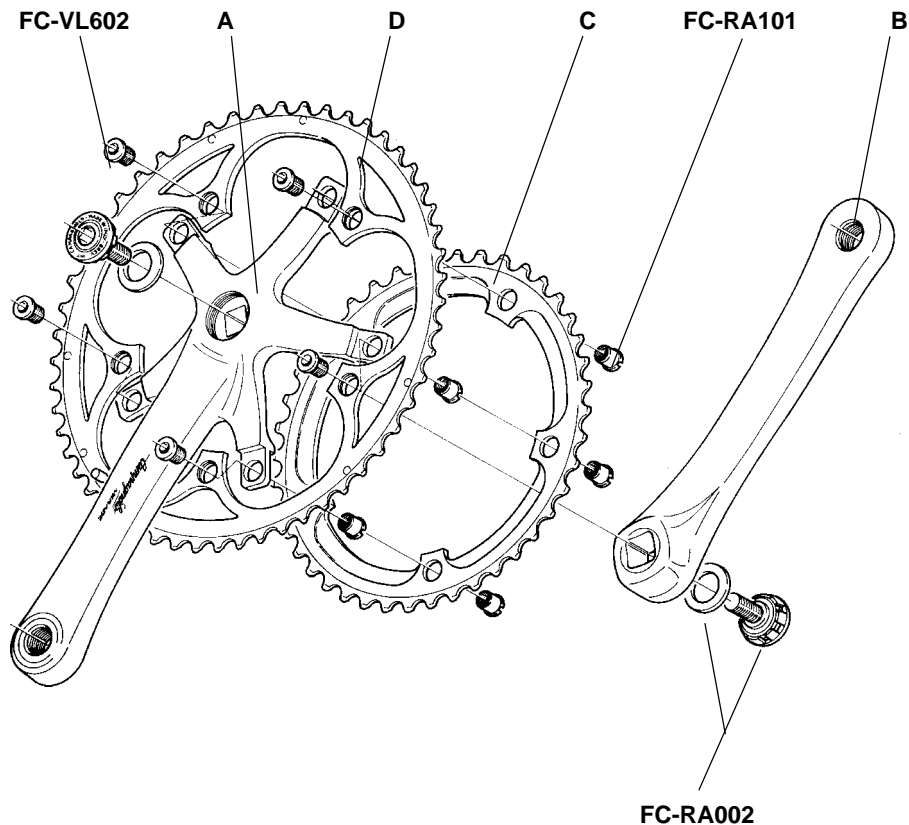
## MIRAGE FC-21MI

<b>A</b>	L170	FC-MI706
	L172,5	FC-MI707
	L175	FC-MI708

<b>B</b>	L170	FC-MI709
	L172,5	FC-MI710
	L175	FC-MI711

<b>C</b>	Z39	FC-MI039
	Z42	FC-MI042

<b>D</b>	Z52 for 42	FC-MI352
	Z53 for 39	FC-MI153



## MIRAGE TRIPLE FC-21MI3

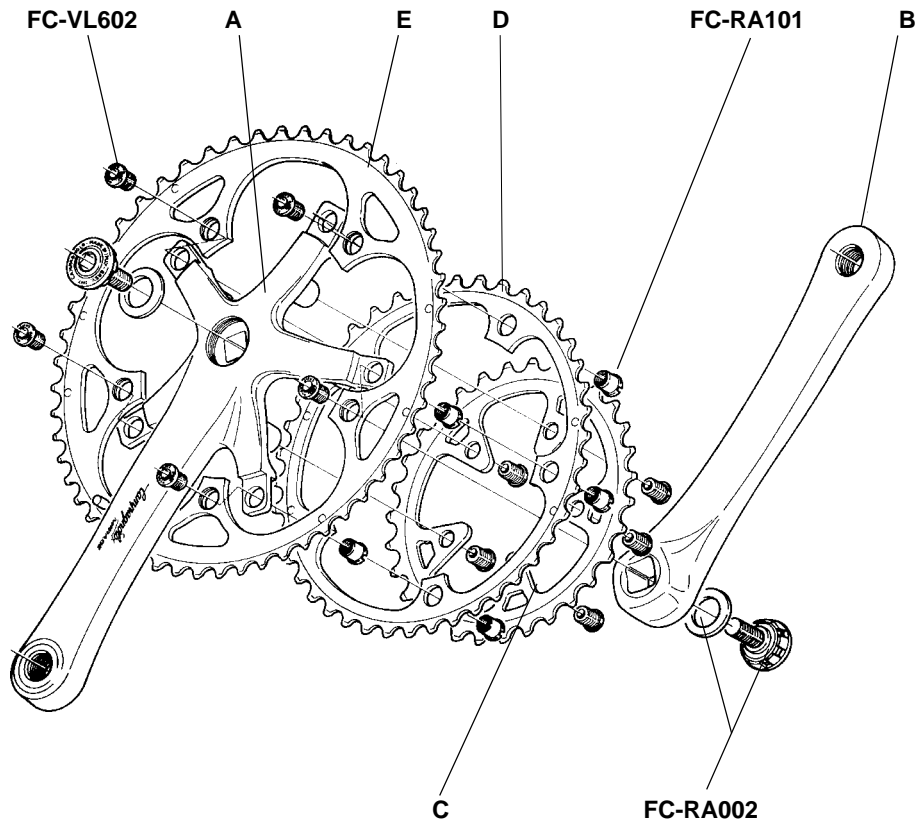
<b>A</b>	L170	FC-MI696
	L175	FC-MI697

<b>B</b>	L170	FC-MI694
	L175	FC-MI695

<b>C</b>	Z30	FC-MI730
	Z32	FC-MI732

<b>D</b>	Z40	FC-MI640
	Z42	FC-MI742

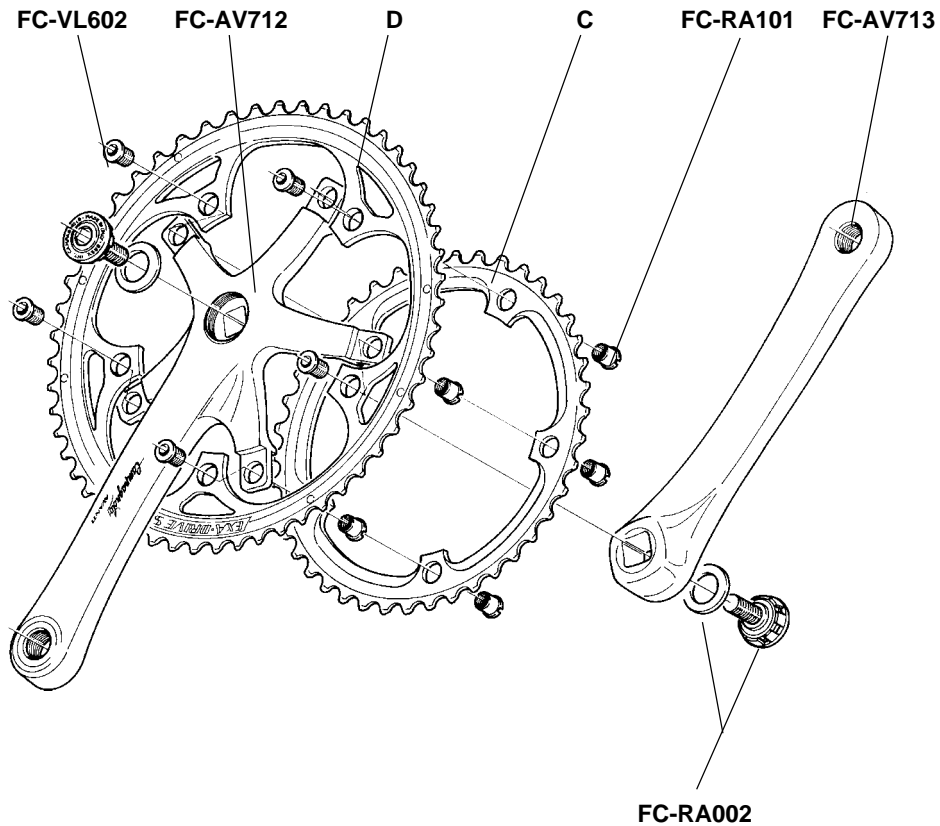
<b>E</b>	Z50	FC-MI450
	Z52	FC-MI352



**AVANTI  
FC-21AV**

<b>C</b>	Z39	FC-MI039
	Z42	FC-MI042

<b>D</b>	Z52 for 39	FC-AV582
	Z52 for 42	FC-AV552



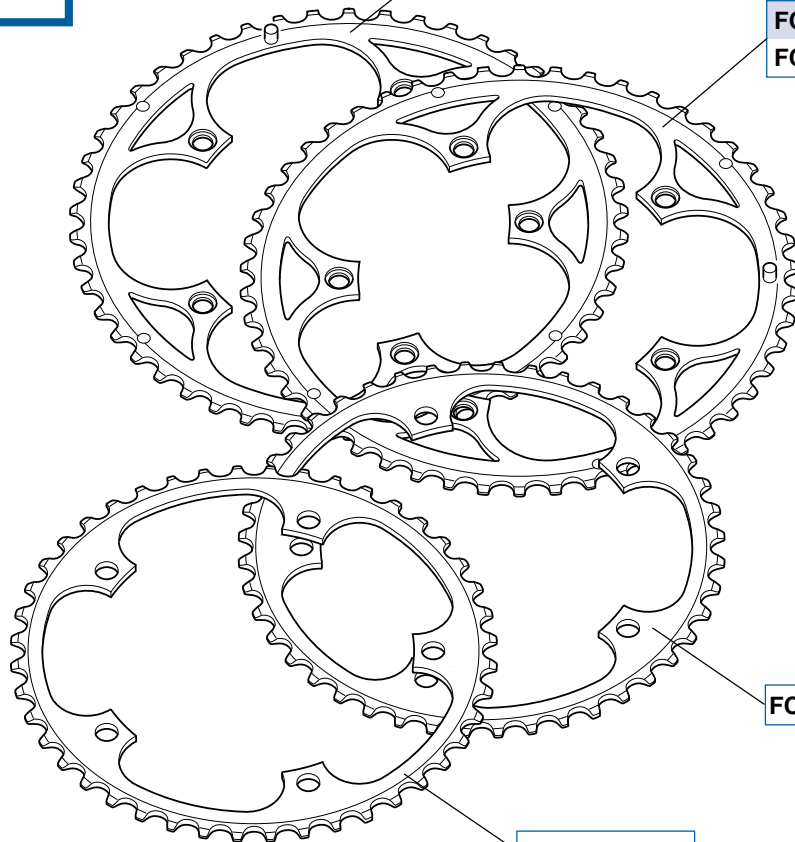
## TRIATHLON CHAINRINGS

FC-TH155: 55 for 42

FC-TH255: 55 for 44

FC-TH154: 54 for 42

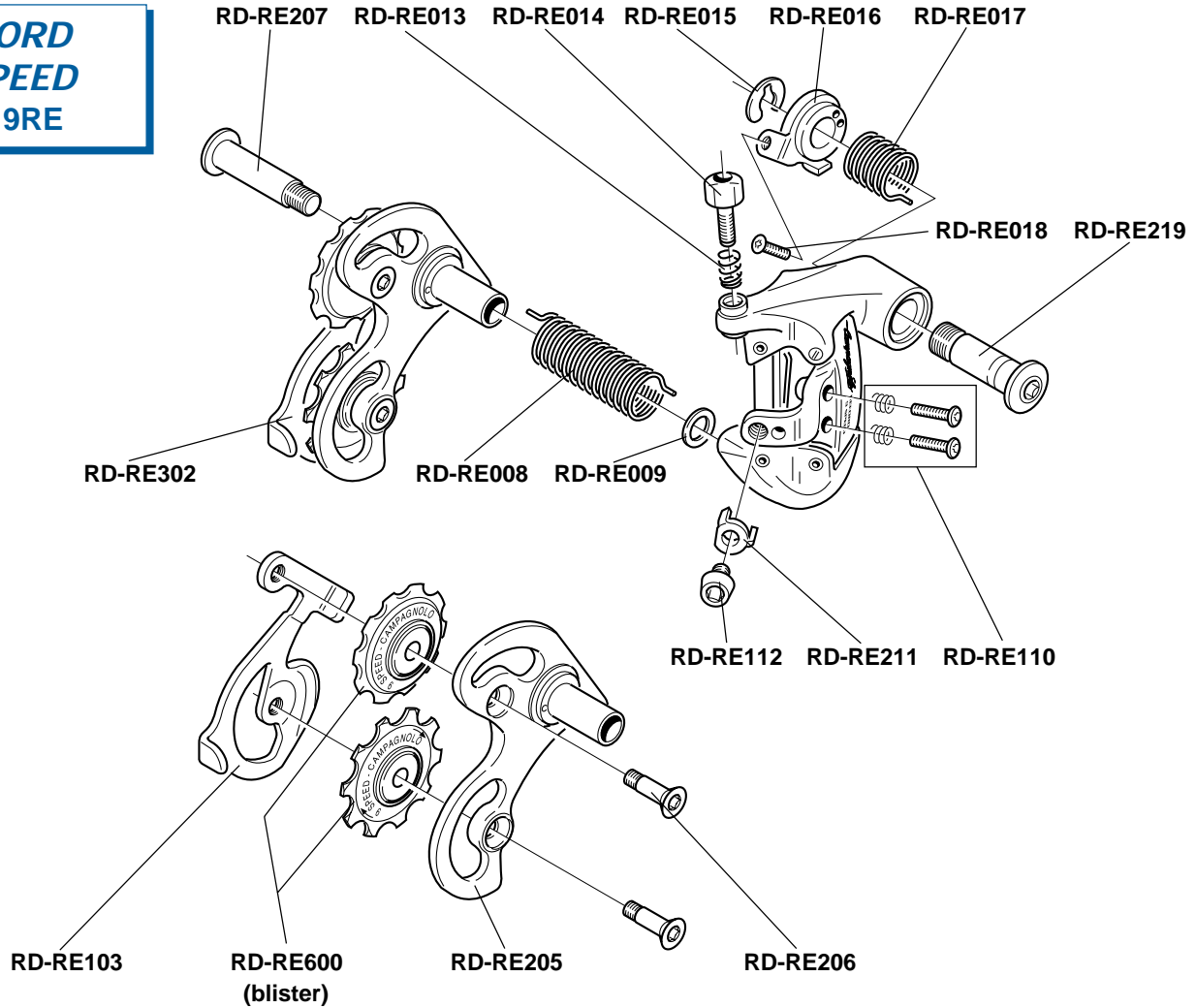
FC-TH254: 54 for 44



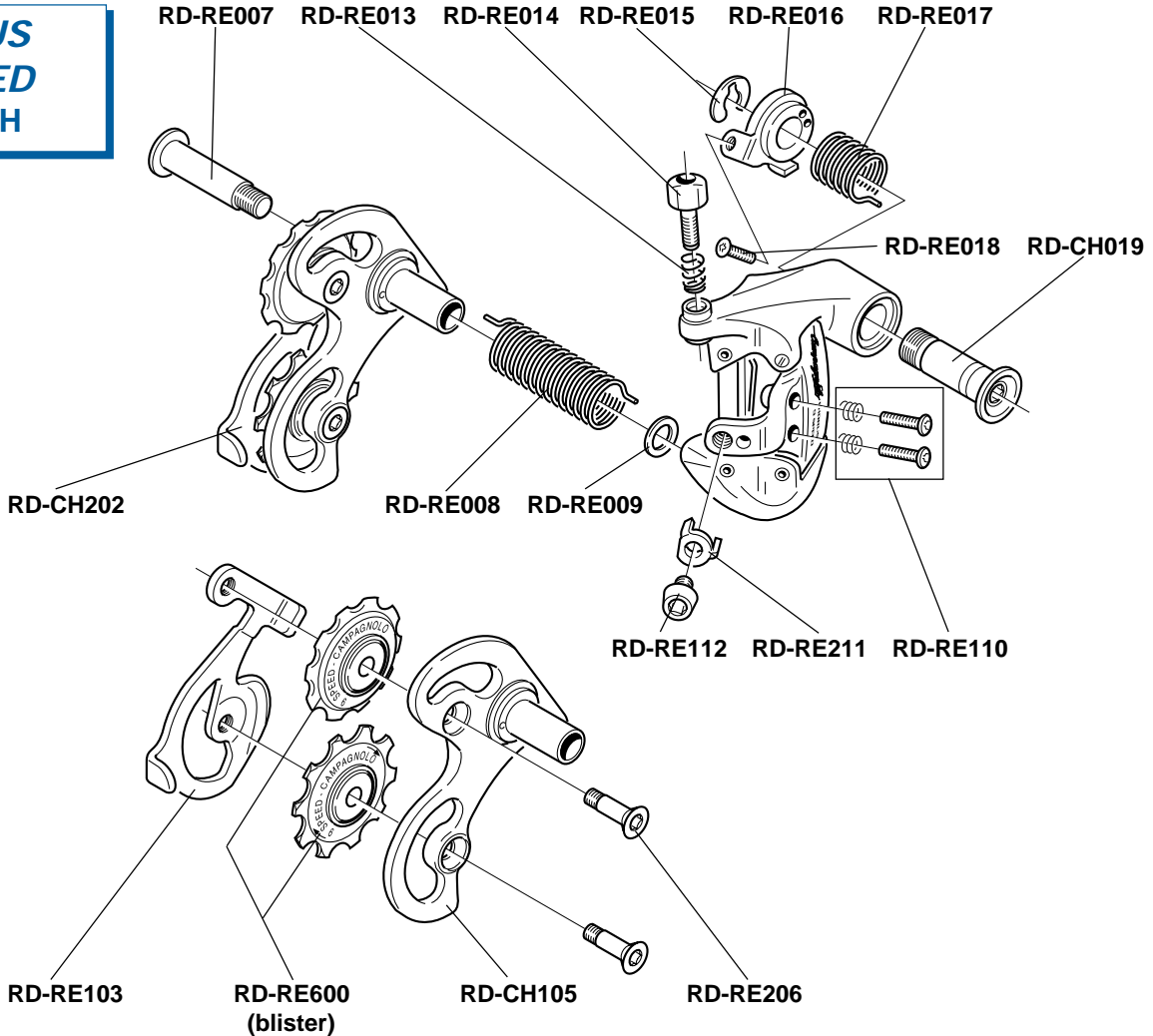
FC-TH144: Z44

FC-TH142: Z42

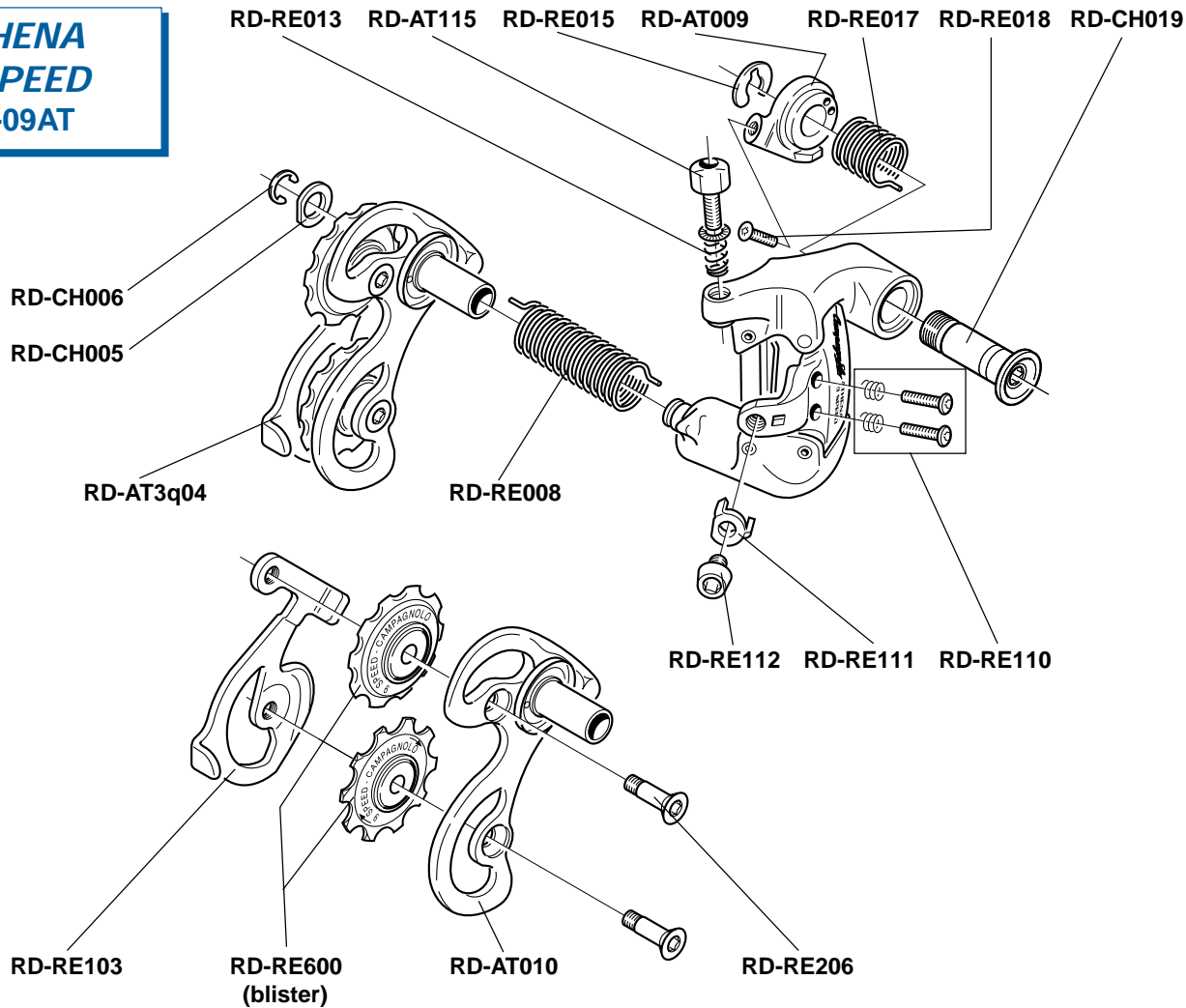
**RECORD  
9 SPEED  
RD-19RE**



**CHORUS  
9 SPEED  
RD-19CH**

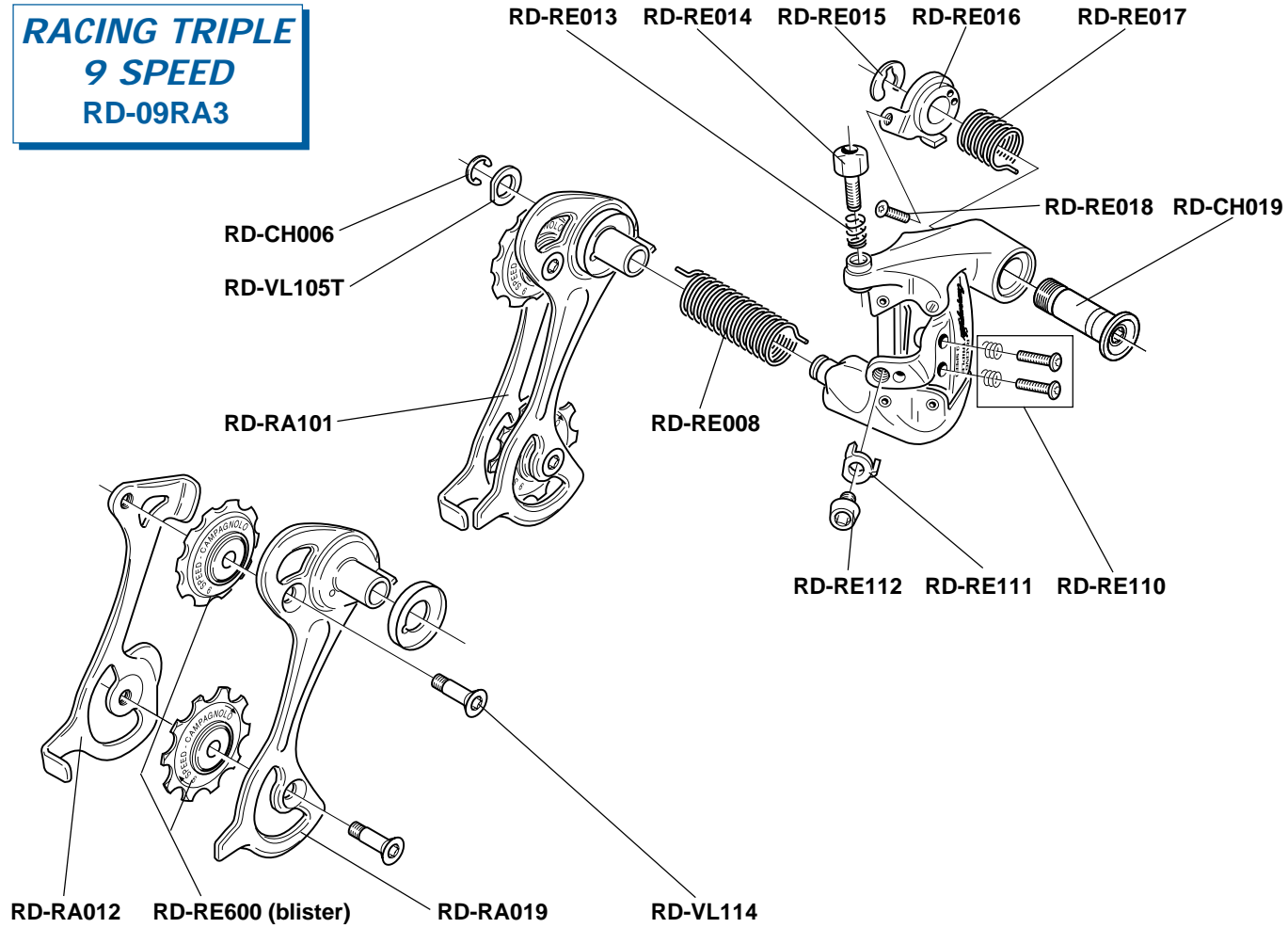


**ATHENA**  
**9 SPEED**  
**RD-09AT**

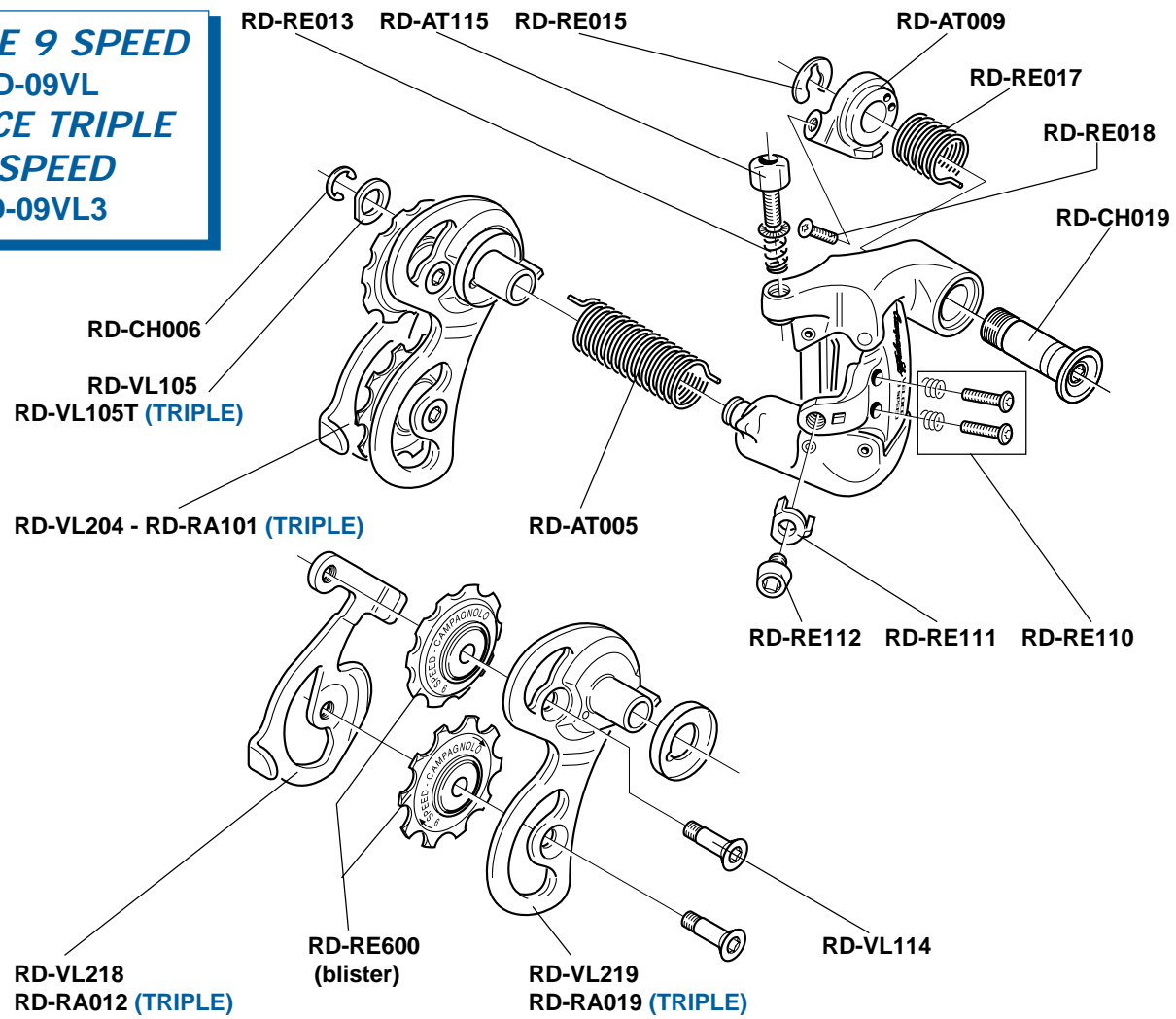




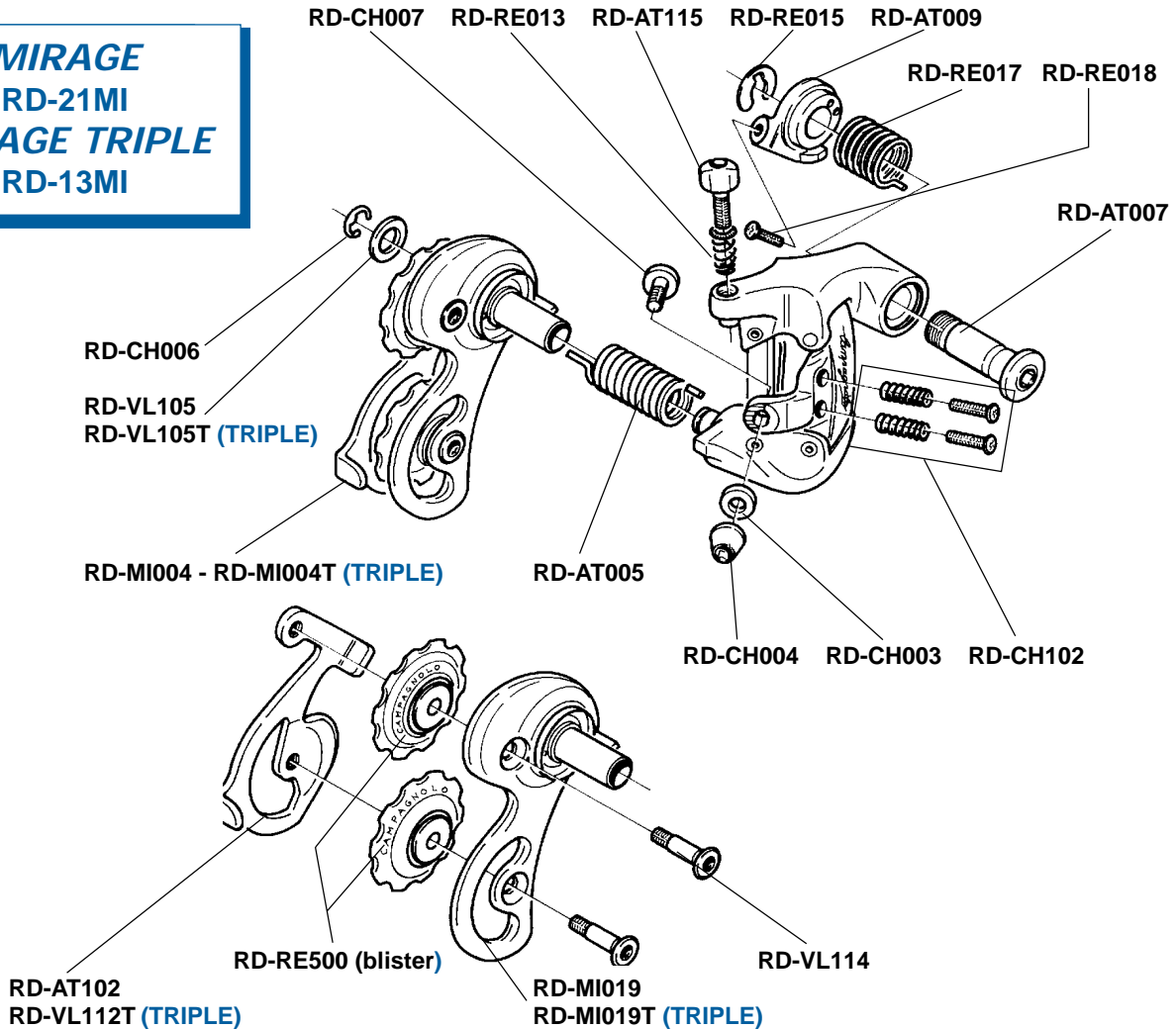
**RACING TRIPLE  
9 SPEED  
RD-09RA3**



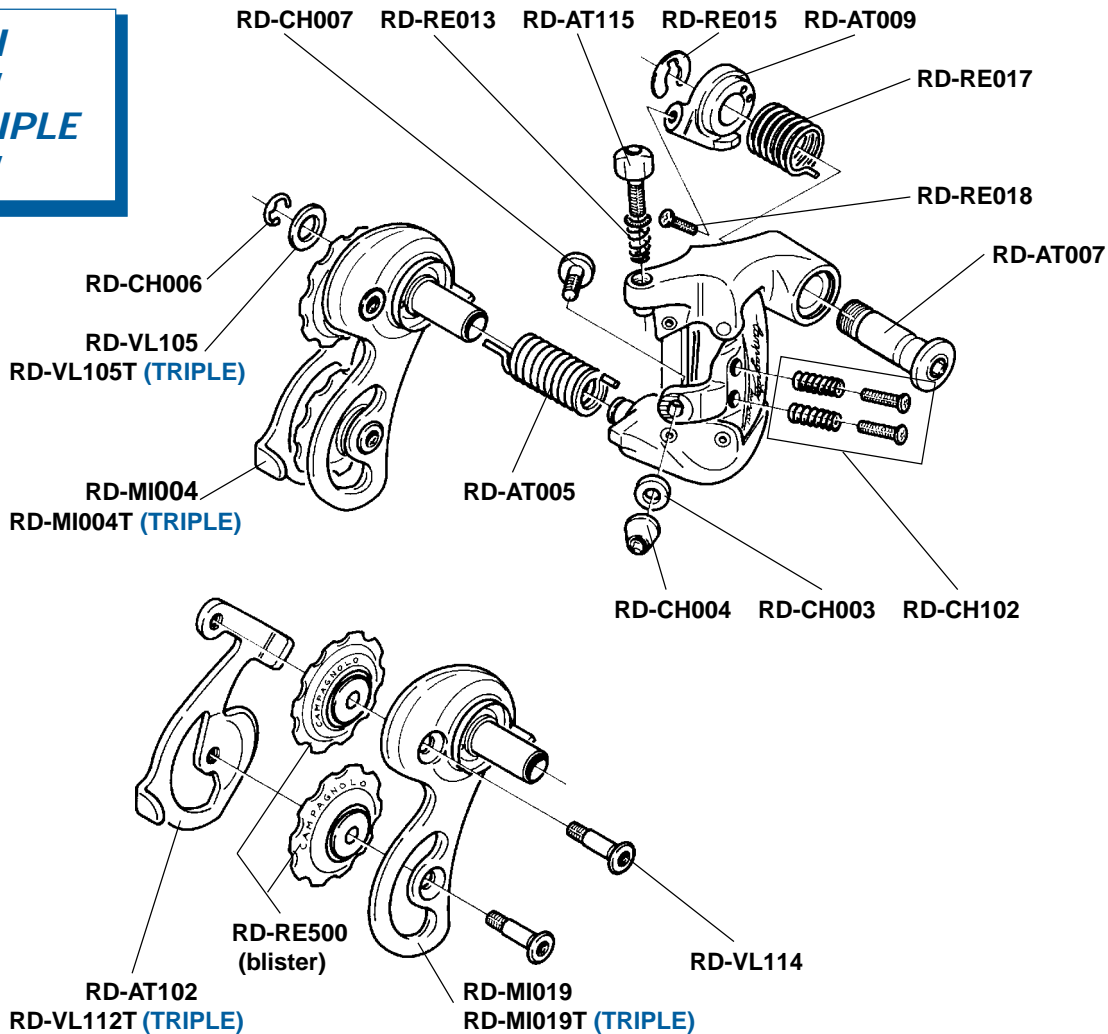
**VELOCE 9 SPEED**  
**RD-09VL**  
**VELOCE TRIPLE**  
**9 SPEED**  
**RD-09VL3**



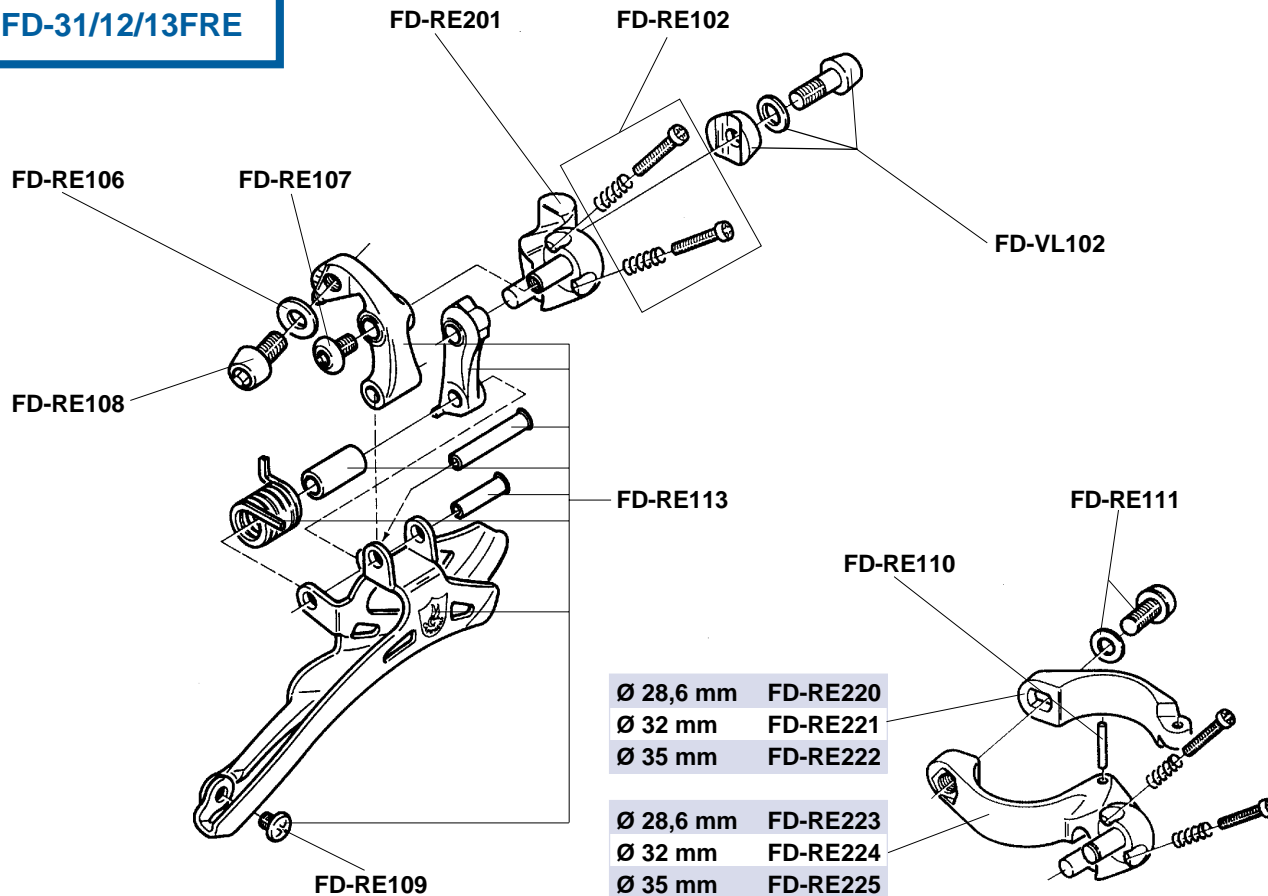
**MIRAGE**  
**RD-21MI**  
**MIRAGE TRIPLE**  
**RD-13MI**



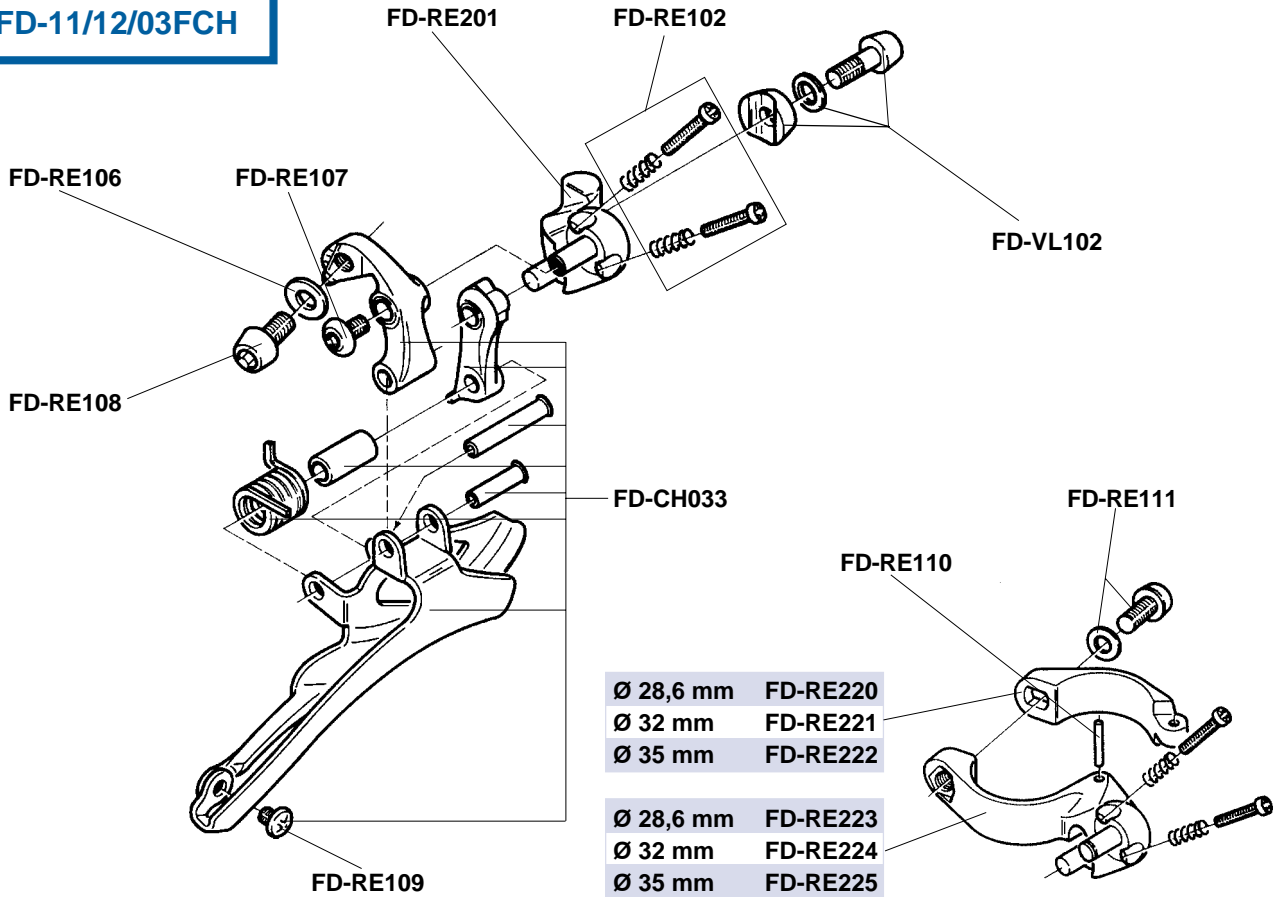
**AVANTI**  
**RD-21AV**  
**AVANTI TRIPLE**  
**RD-13AV**



**RECORD**  
**FD-31SRE**  
**FD-31/12/13FRE**



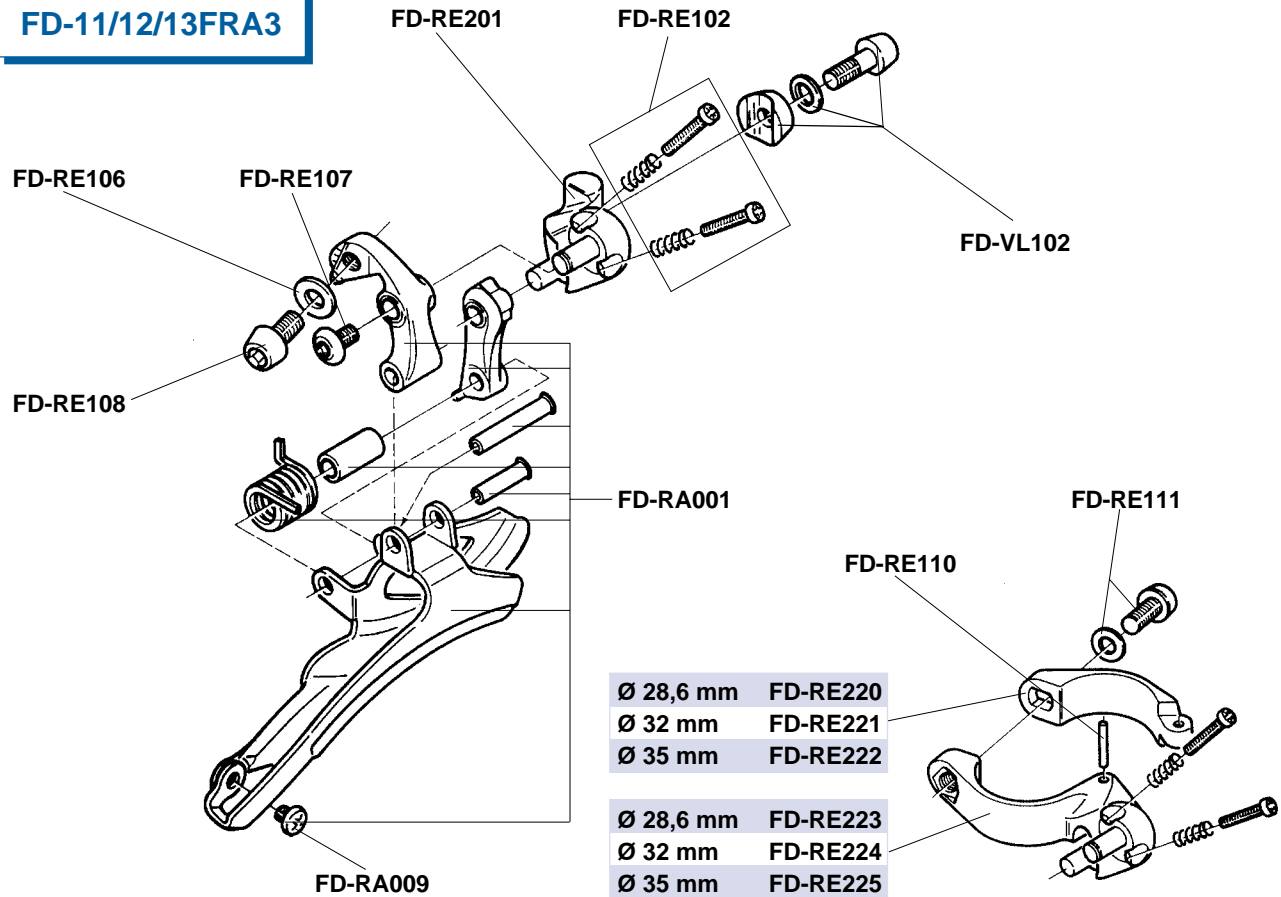
**CHORUS**  
**FD-21SCH**  
**FD-11/12/03FCH**



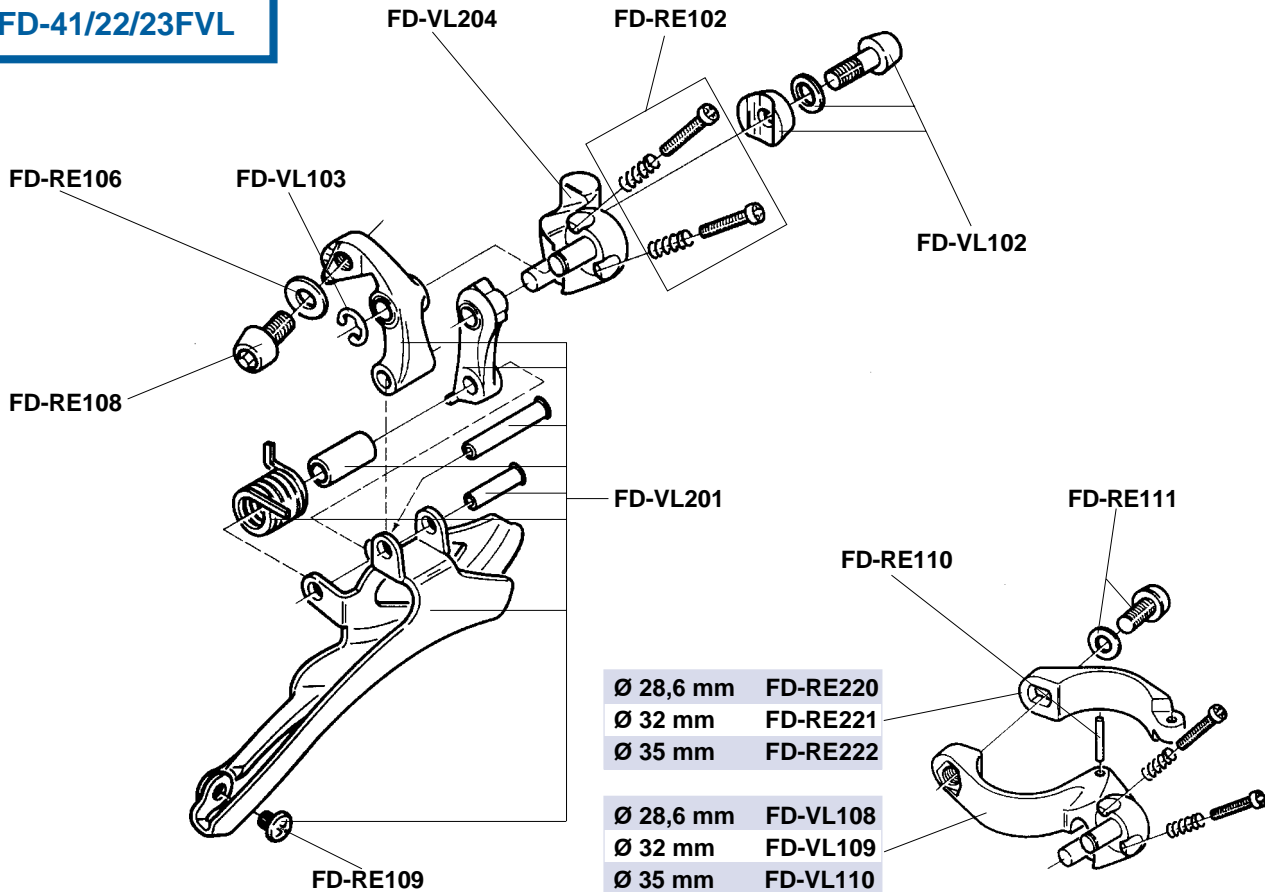
Ø 28,6 mm	FD-RE220
Ø 32 mm	FD-RE221
Ø 35 mm	FD-RE222

Ø 28,6 mm	FD-RE223
Ø 32 mm	FD-RE224
Ø 35 mm	FD-RE225

**RACING TRIPLE**  
**FD-11SRA3**  
**FD-11/12/13FRA3**

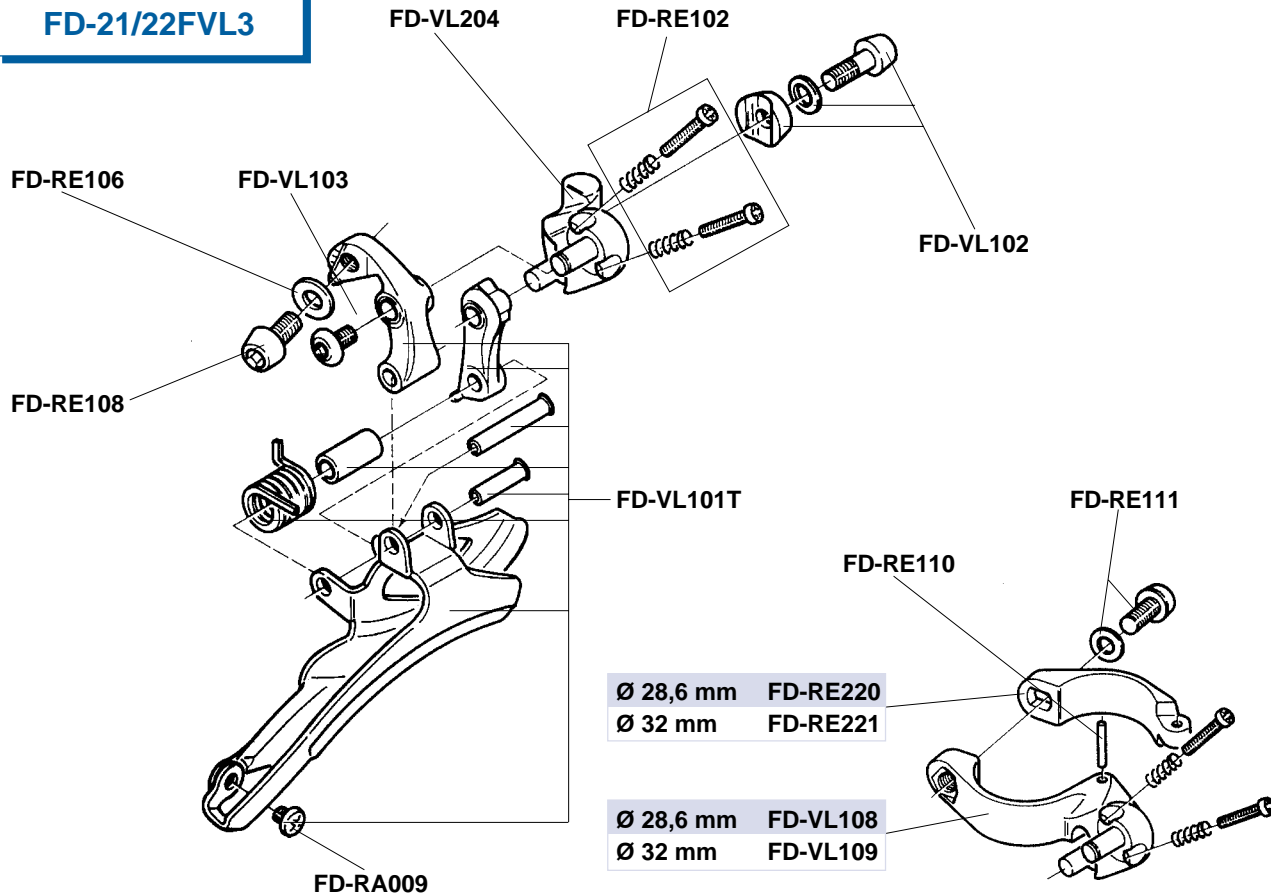


**VELOCE**  
**FD-41SVL**  
**FD-41/22/23FVL**

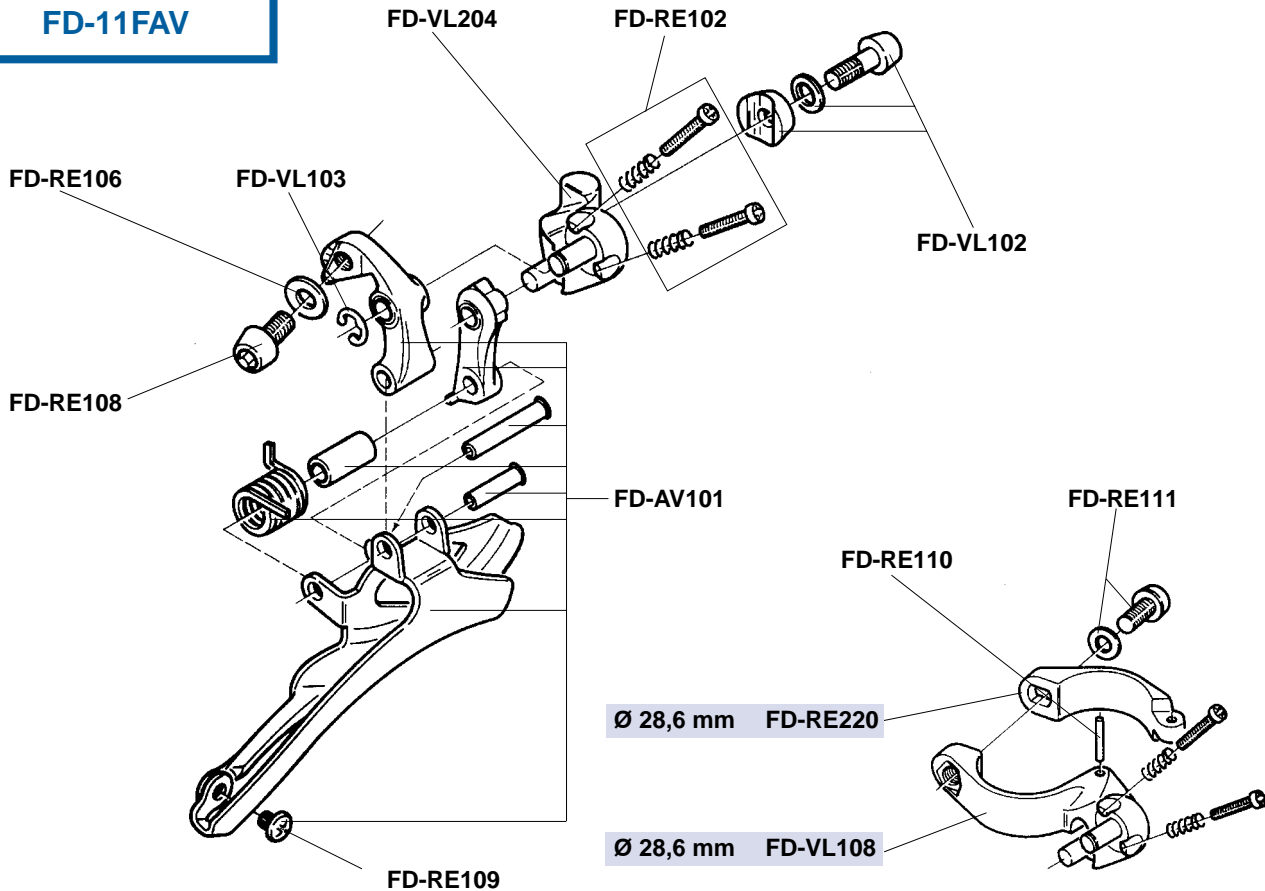




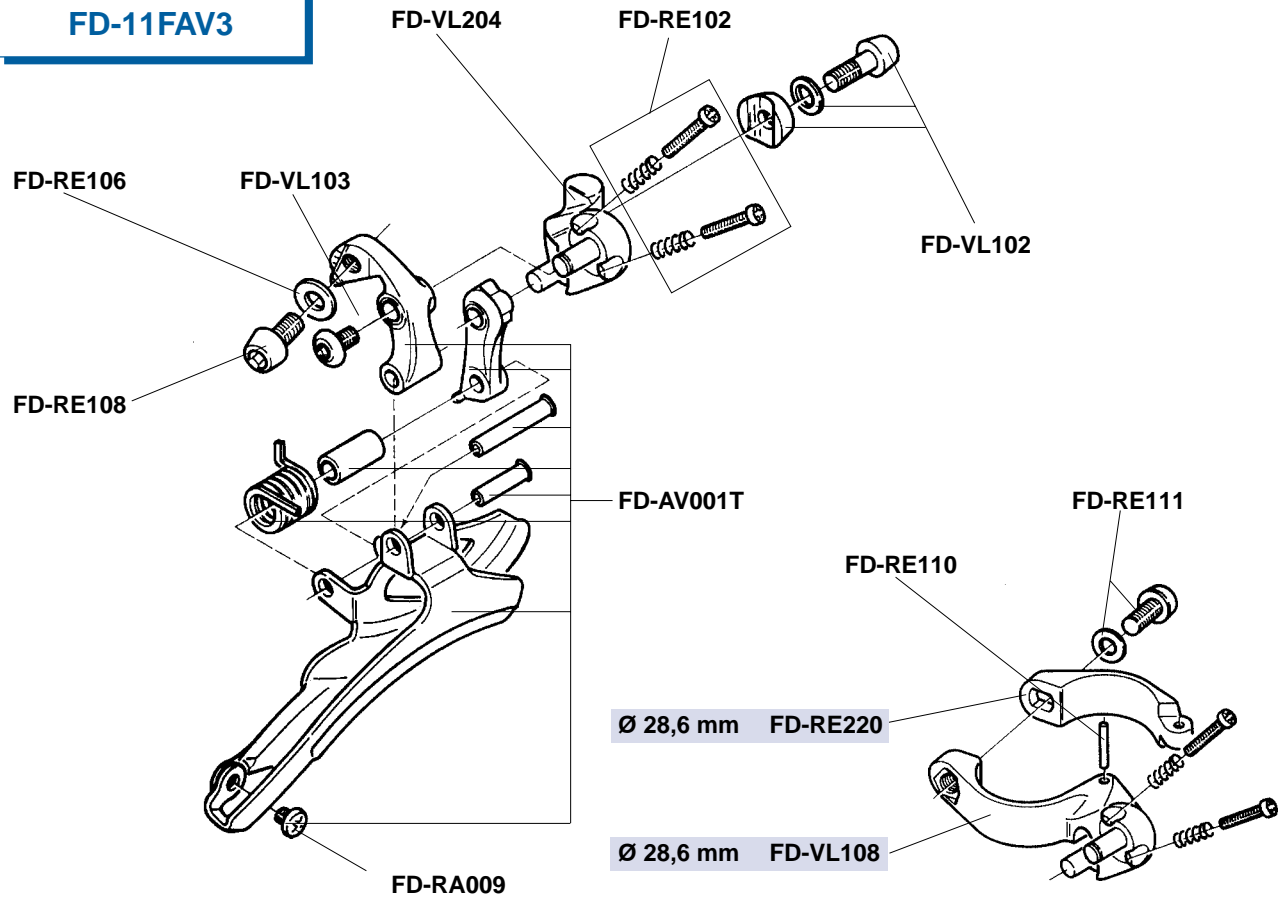
**VELOCE TRIPLE**  
**FD-21SVL3**  
**FD-21/22FVL3**



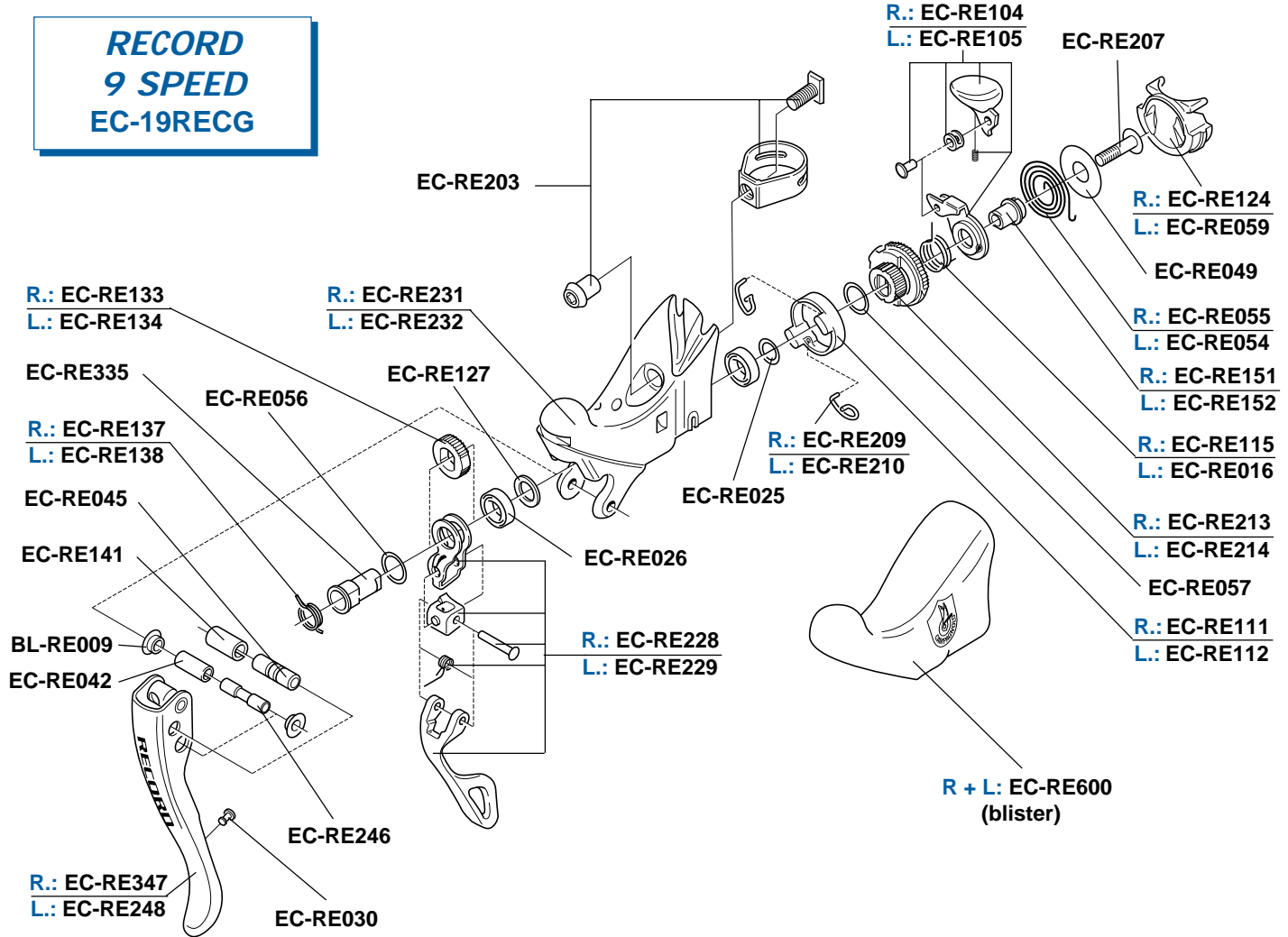
AVANTI  
FD-11SAV  
FD-11FAV



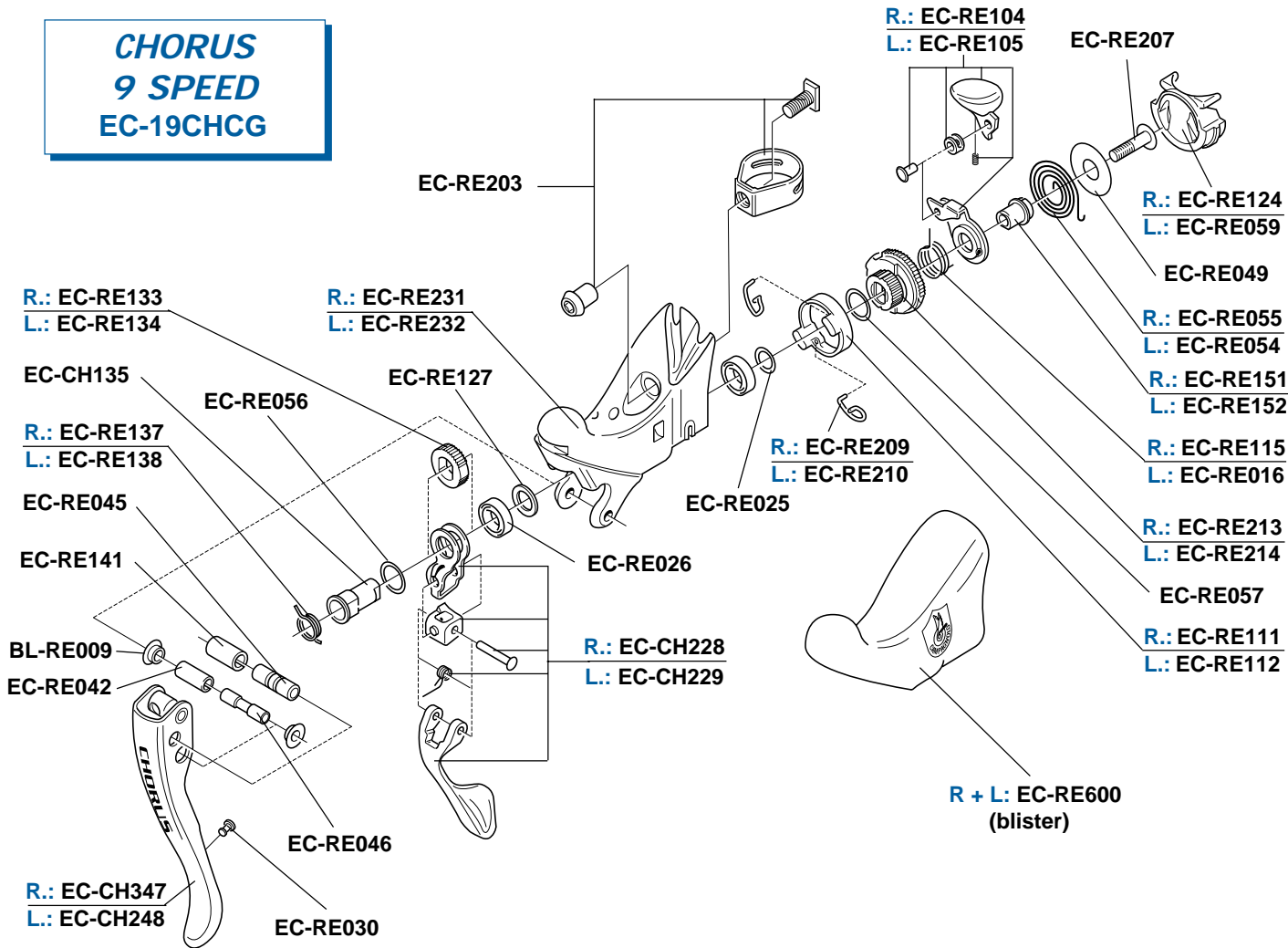
**AVANTI TRIPLE**  
**FD-11SAV3**  
**FD-11FAV3**



**RECORD  
9 SPEED  
EC-19RECG**



**CHORUS  
9 SPEED  
EC-19CHCG**



EC-RE203

R.: EC-RE104  
L.: EC-RE105

EC-RE207

R.: EC-RE124  
L.: EC-RE059

EC-RE049

R.: EC-RE055  
L.: EC-RE054

R.: EC-RE151  
L.: EC-RE152

R.: EC-RE115  
L.: EC-RE016

R.: EC-RE213  
L.: EC-RE214

EC-RE057

R.: EC-RE111  
L.: EC-RE112

R + L: EC-RE600  
(blister)

R.: EC-RE133  
L.: EC-RE134

R.: EC-RE231  
L.: EC-RE232

EC-CH135

EC-RE056

EC-RE127

R.: EC-RE137  
L.: EC-RE138

EC-RE045

EC-RE141

EC-RE026

R.: EC-CH228  
L.: EC-CH229

BL-RE009

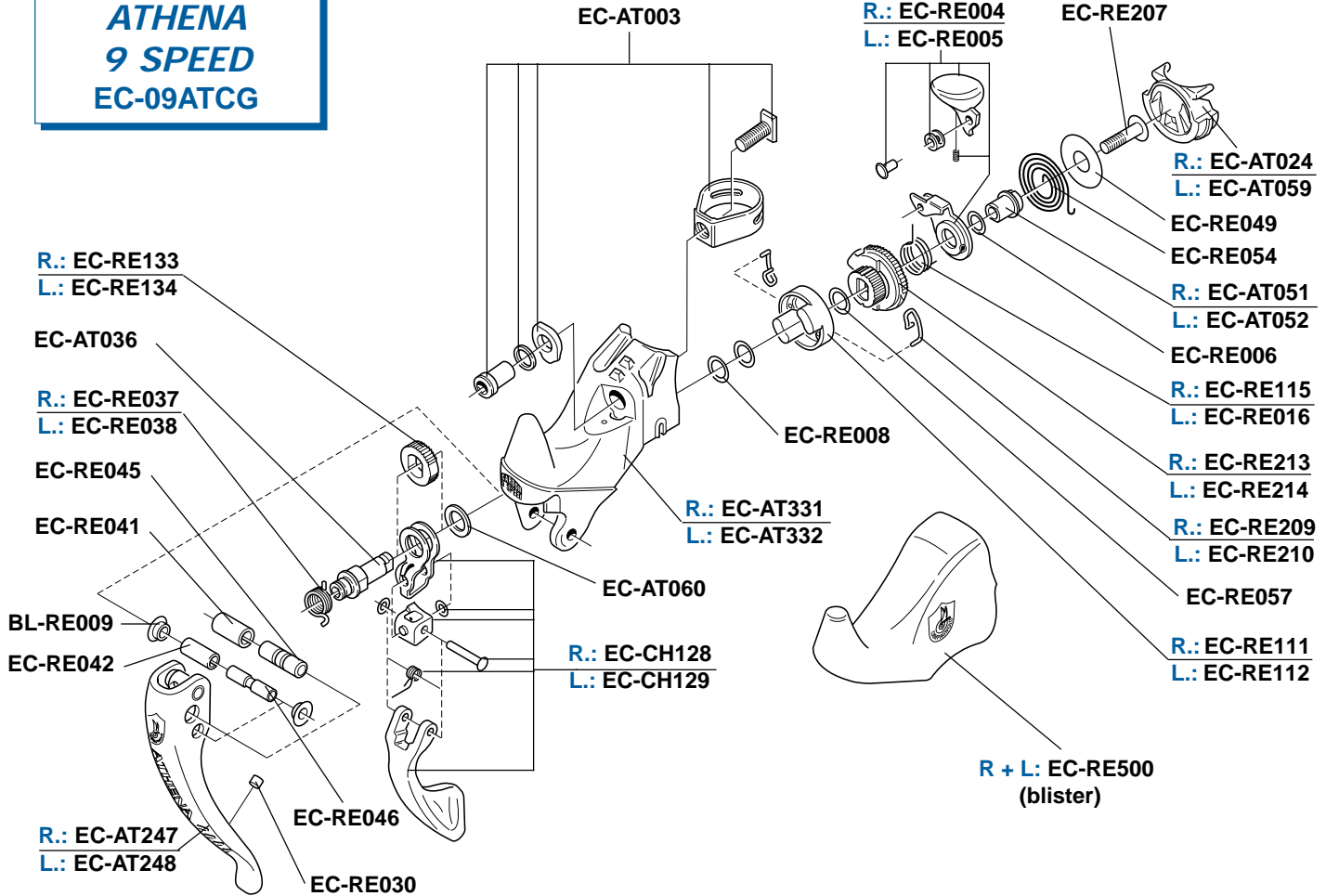
EC-RE042

EC-RE046

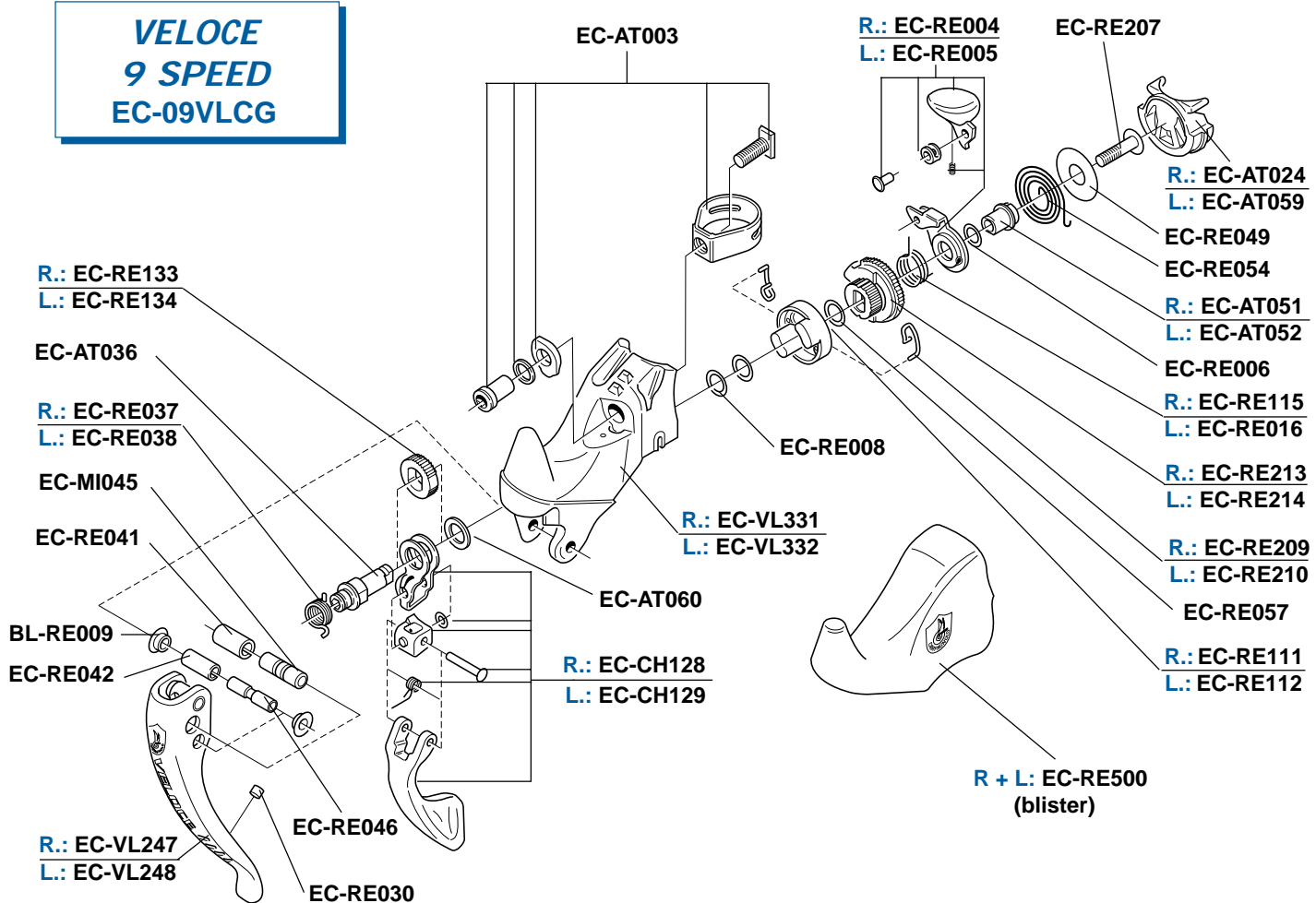
R.: EC-CH347  
L.: EC-CH248

EC-RE030

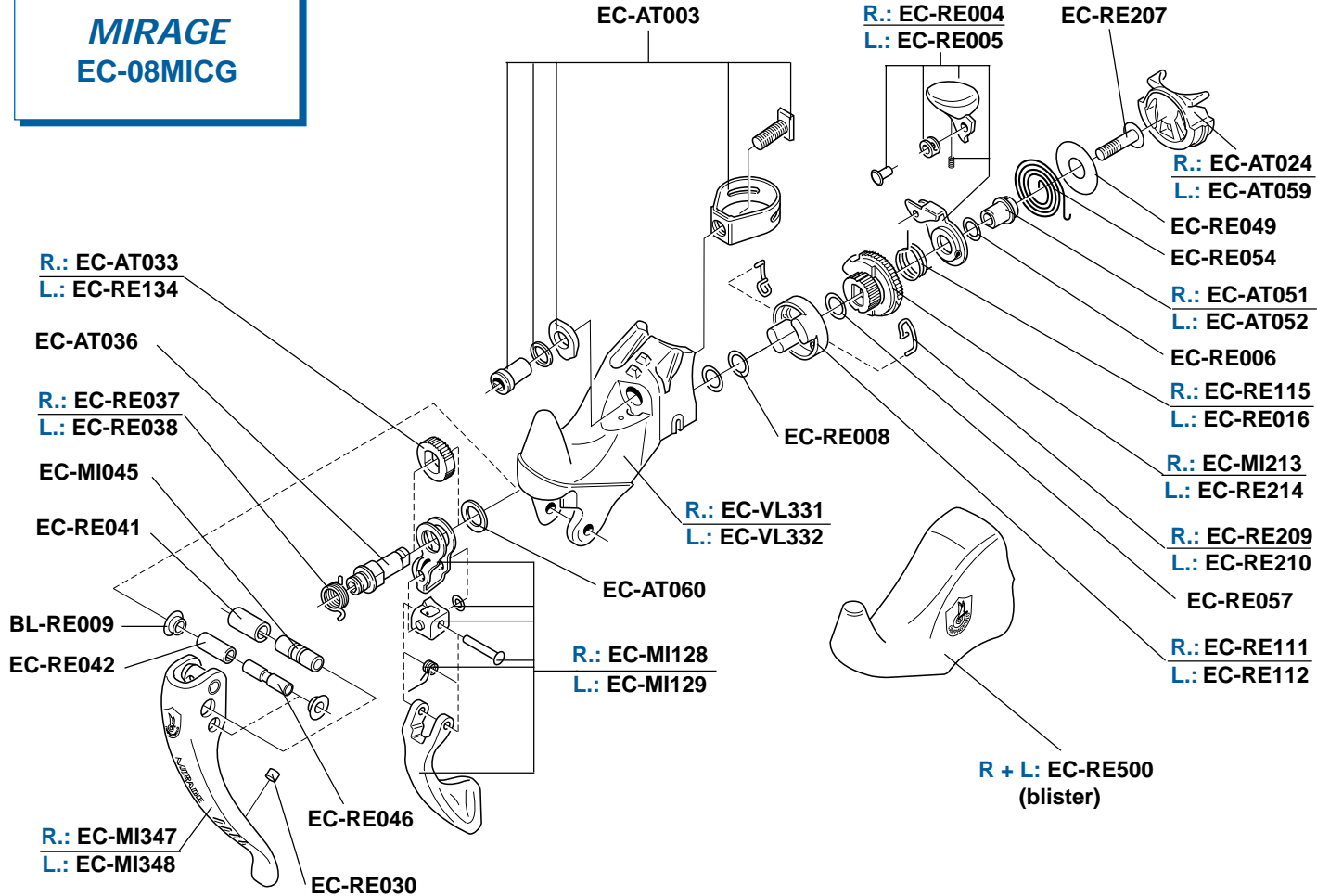
**ATHENA**  
**9 SPEED**  
**EC-09ATCG**



**VELOCE  
9 SPEED  
EC-09VLCG**

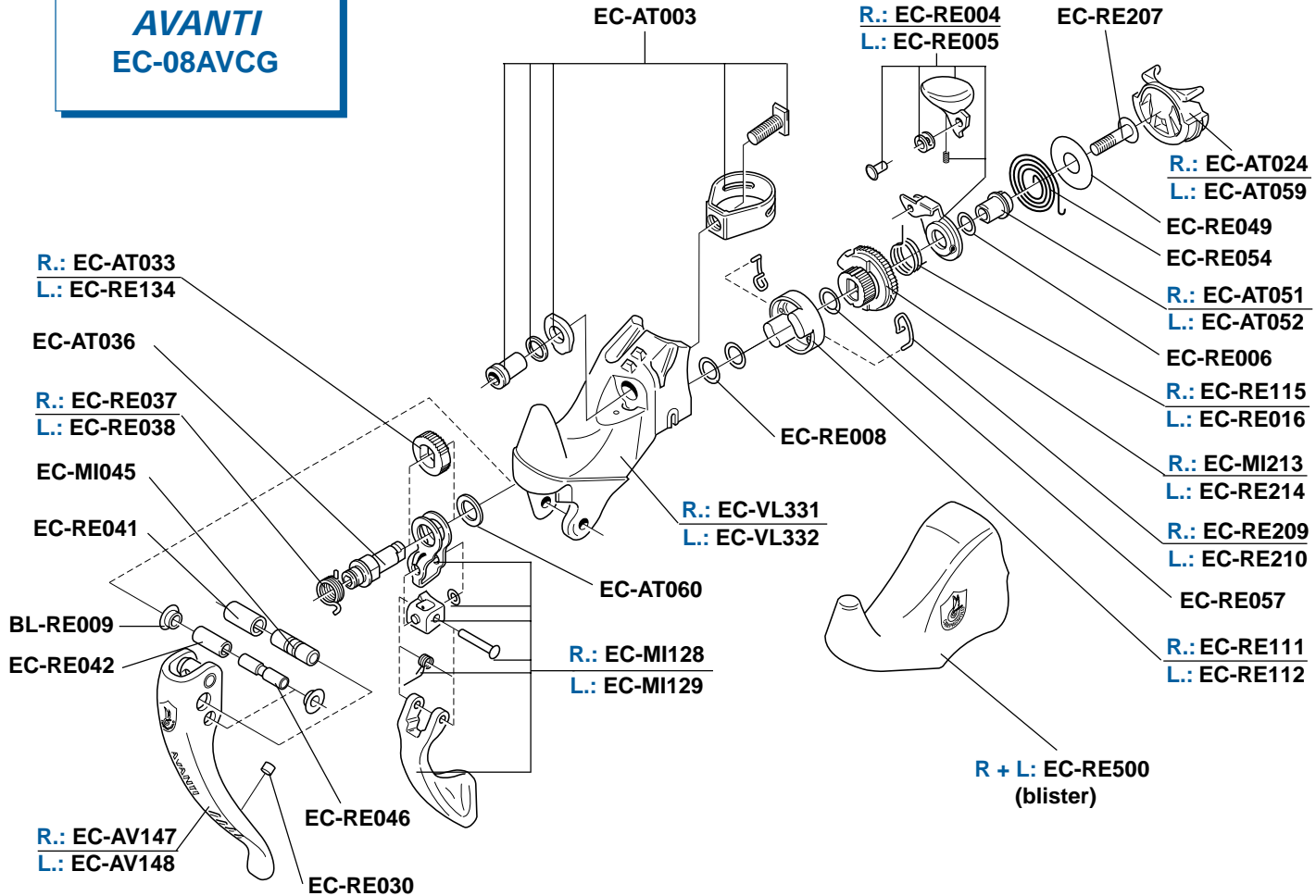


## MIRAGE EC-08MICG

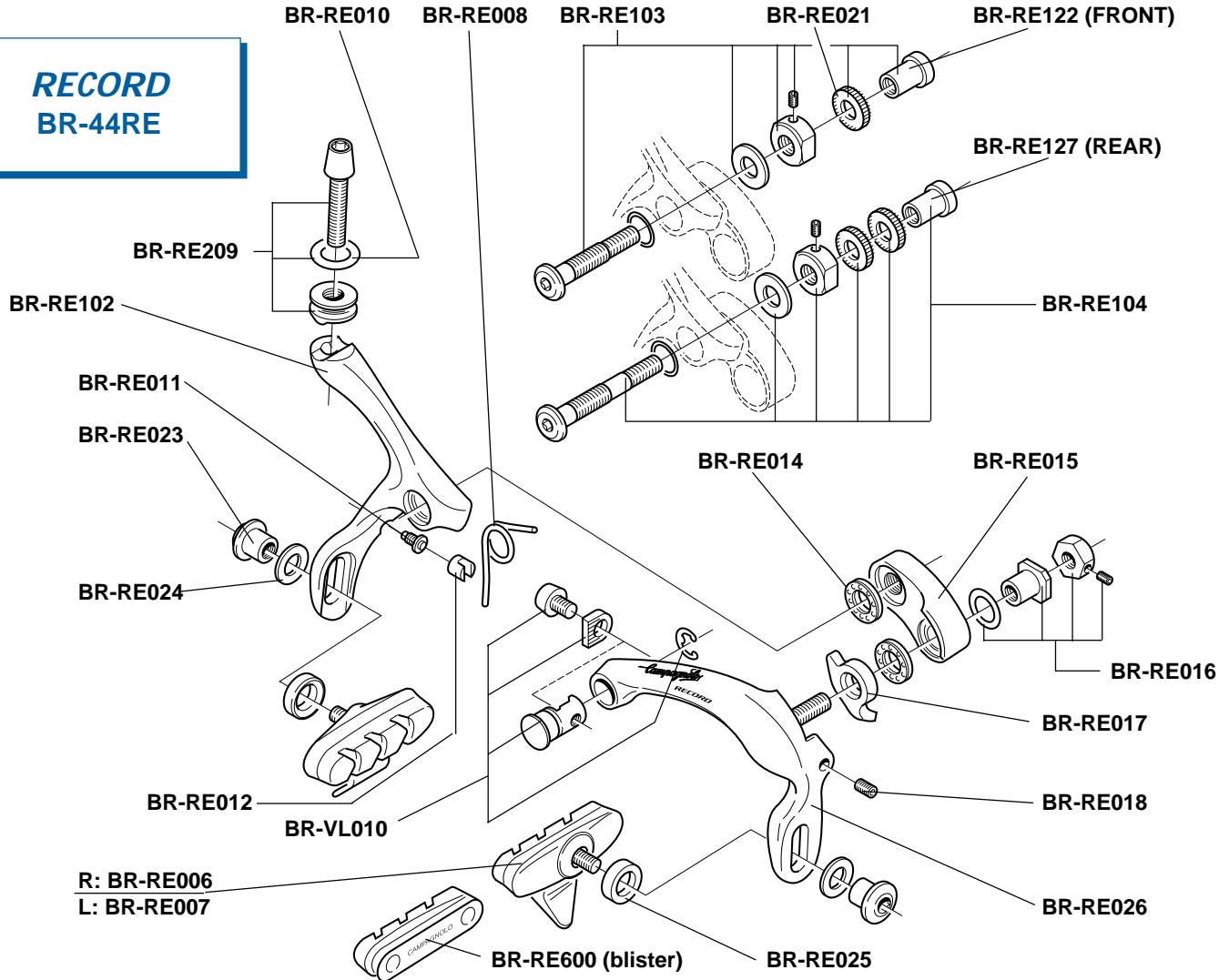




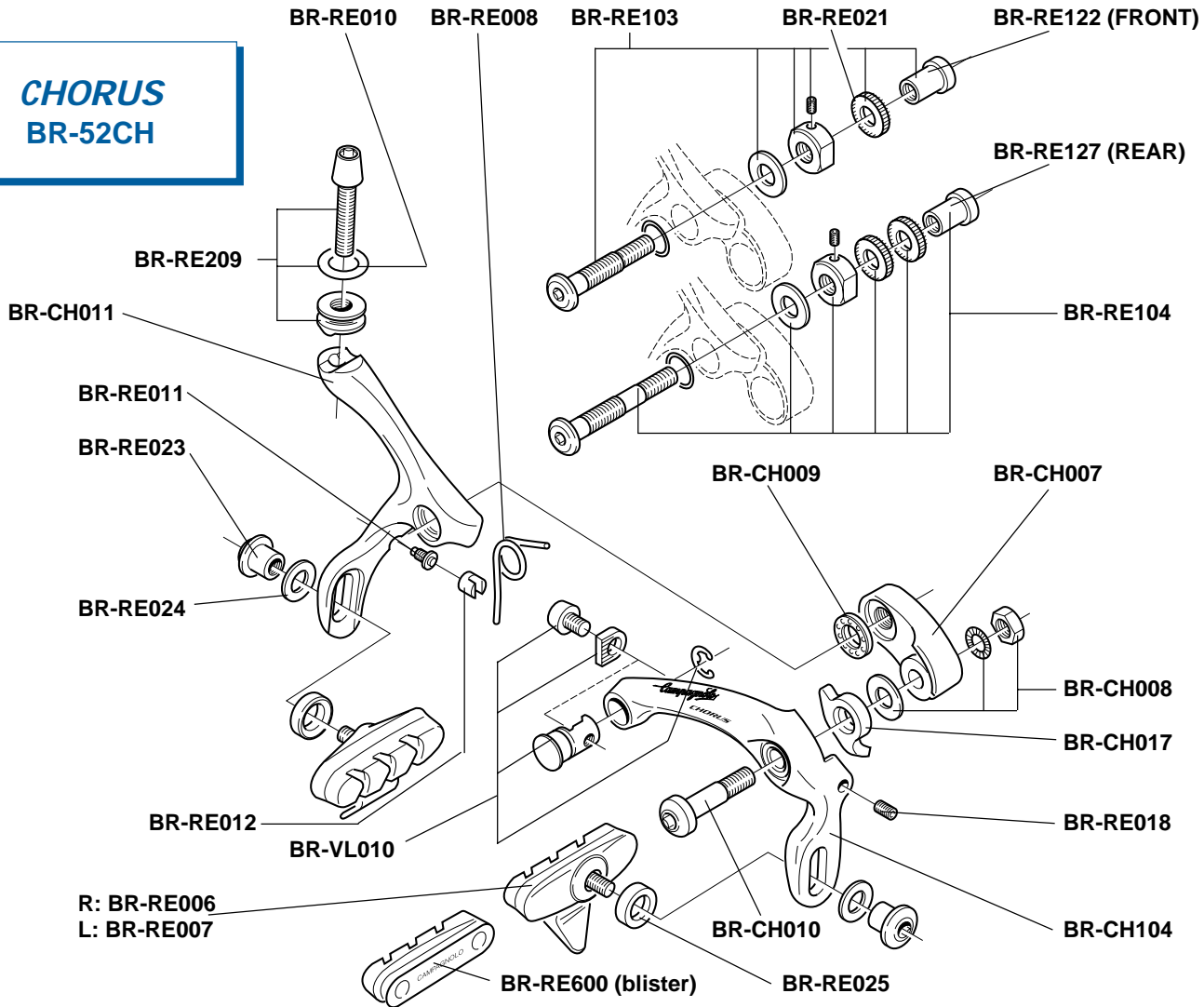
**AVANTI  
EC-08AVCG**



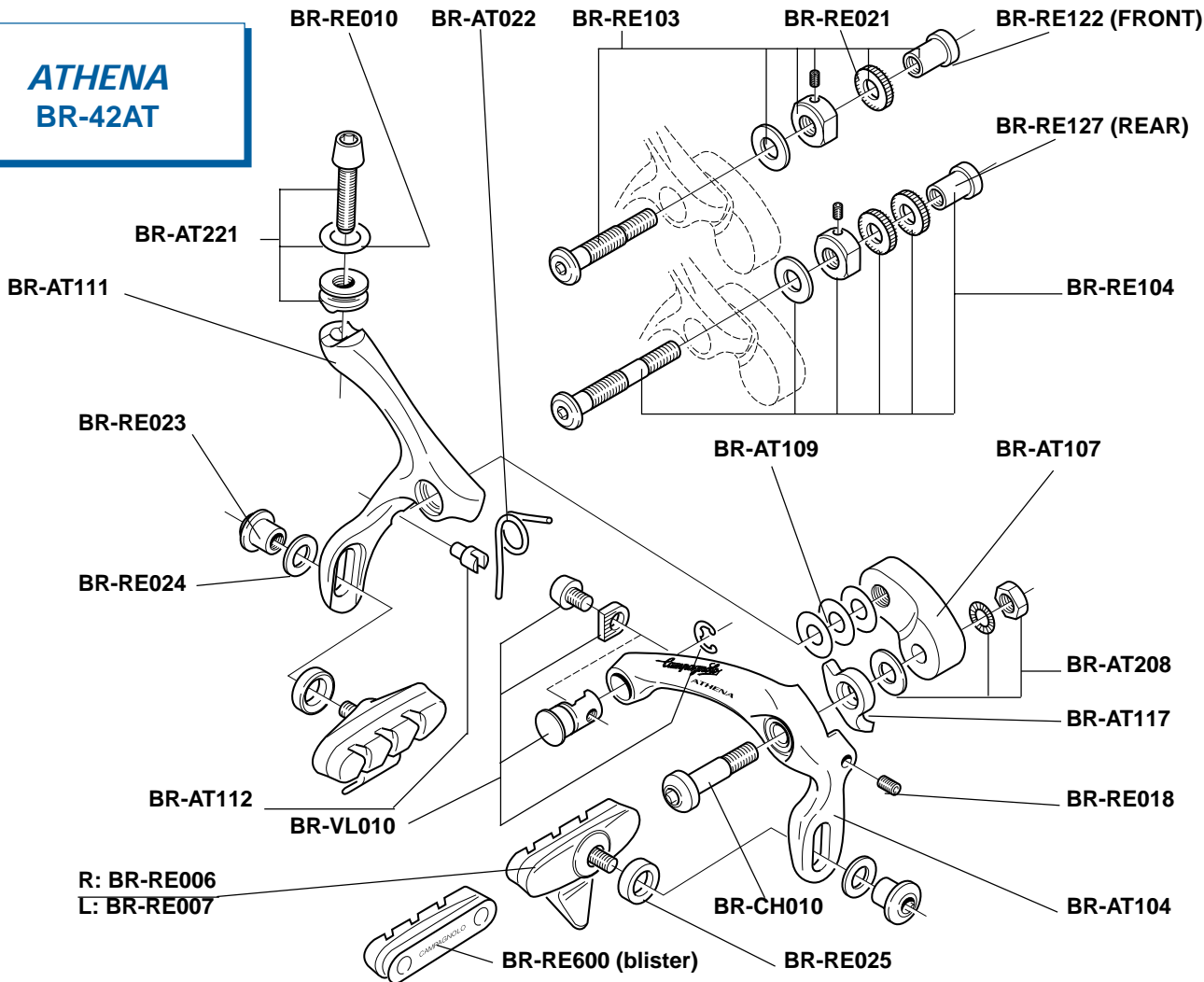
## RECORD BR-44RE



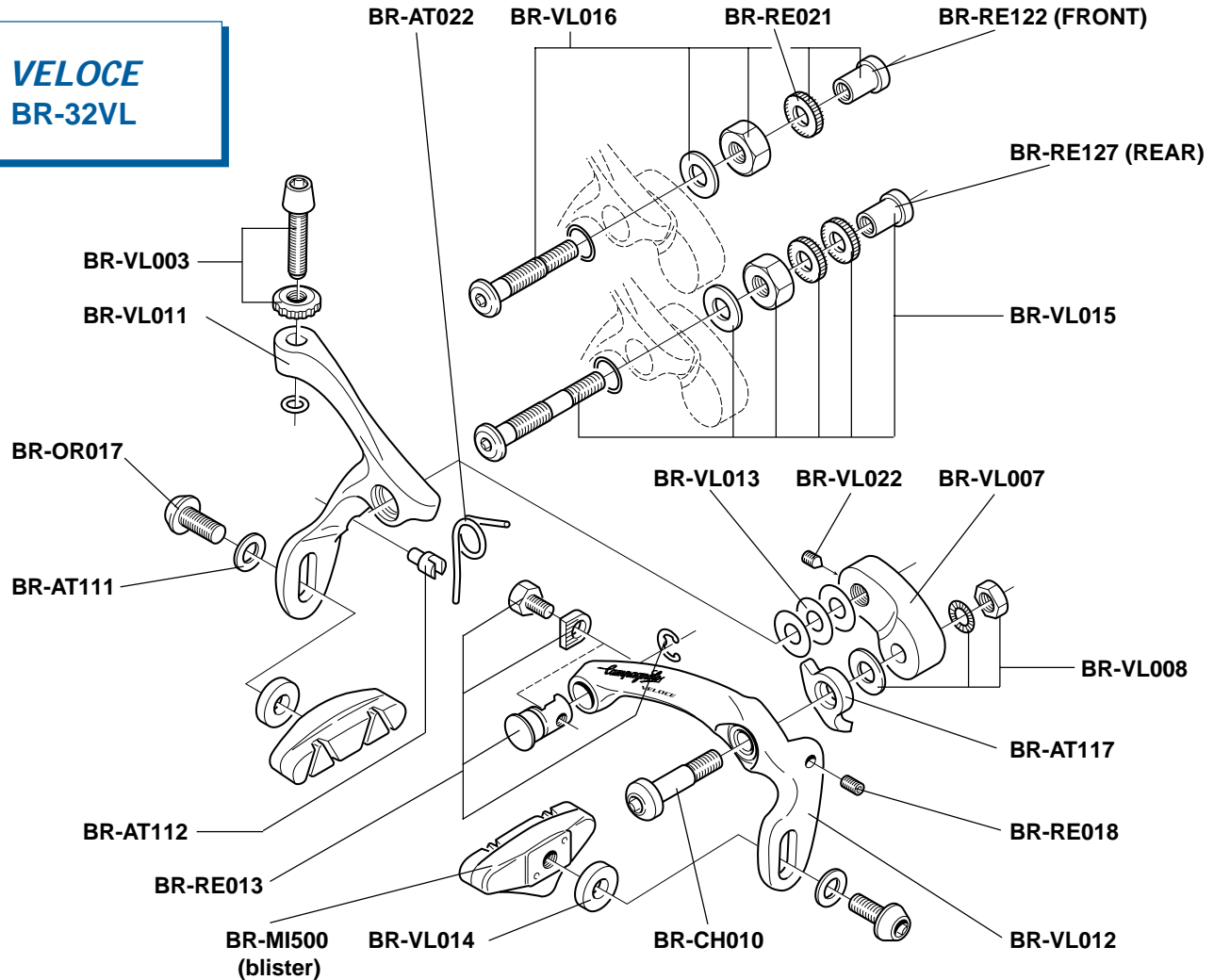
**CHORUS  
BR-52CH**



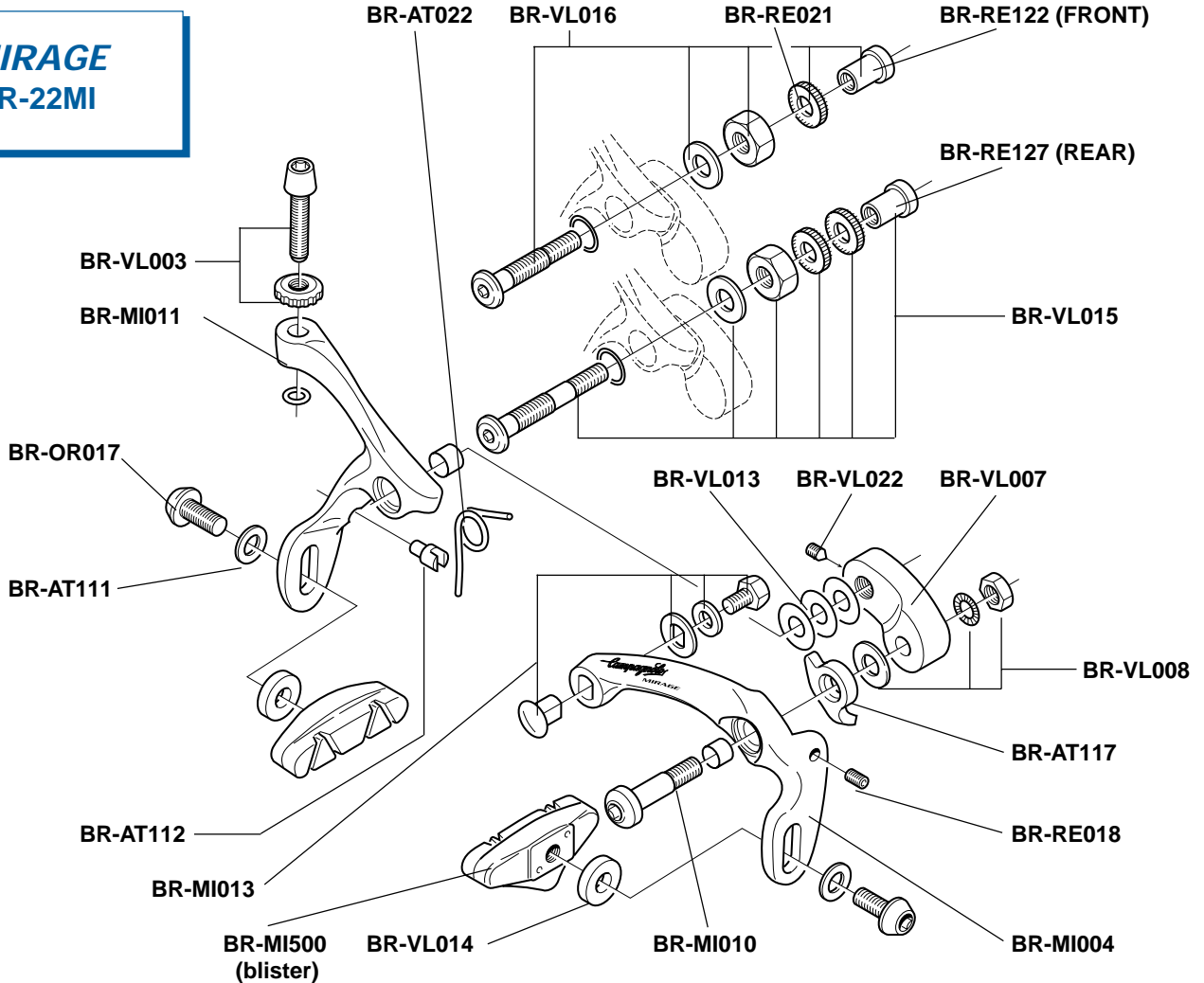
**ATHENA**  
**BR-42AT**



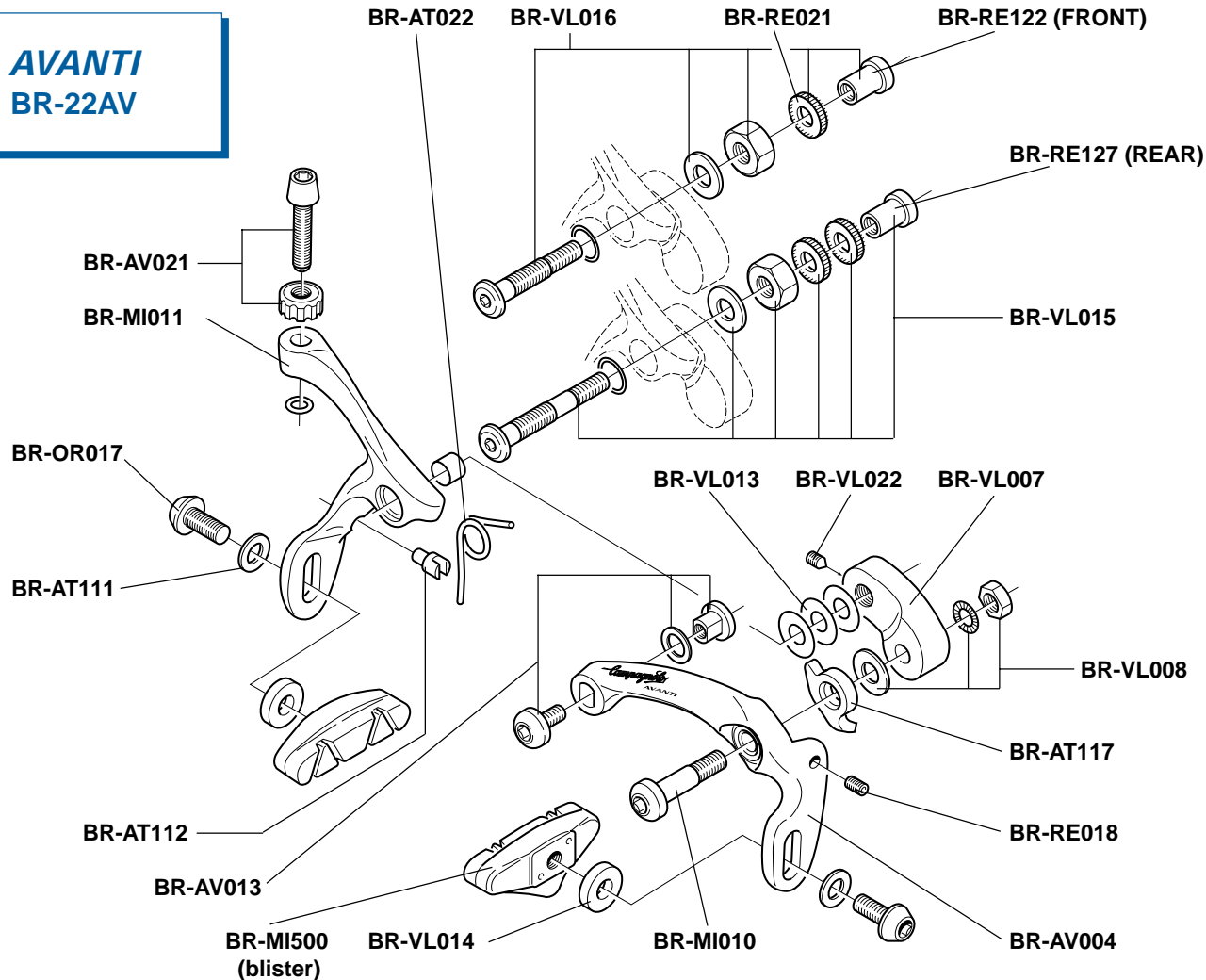
**VELOCE  
BR-32VL**



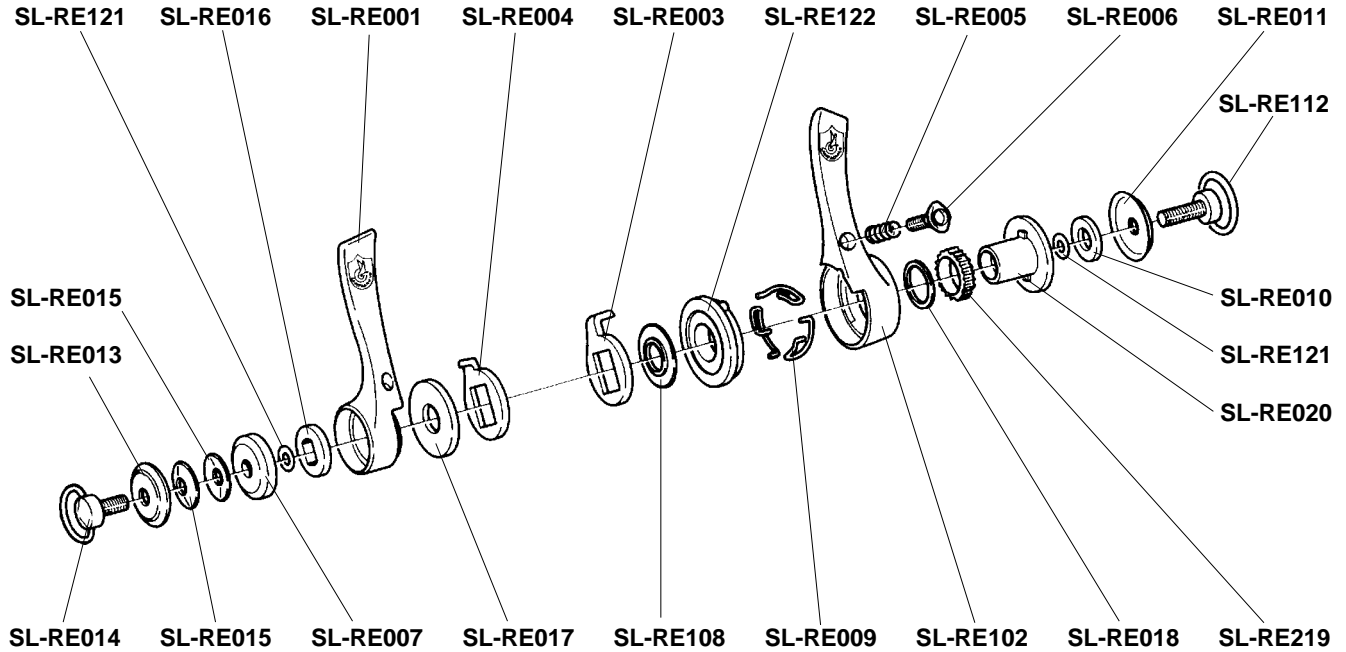
## MIRAGE BR-22MI



**AVANTI  
BR-22AV**

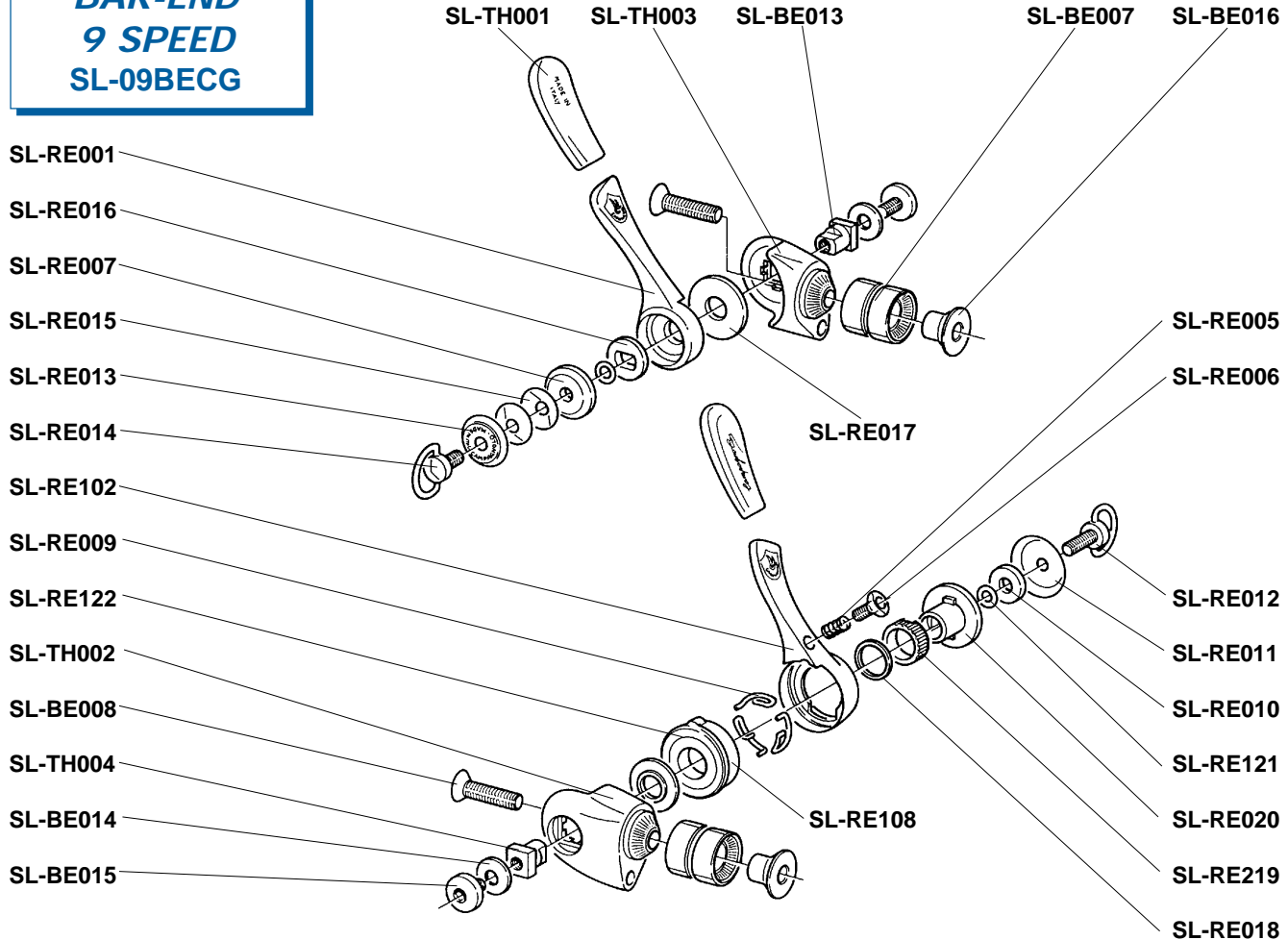


**RECORD  
9 SPEED  
SL-09SRECG**

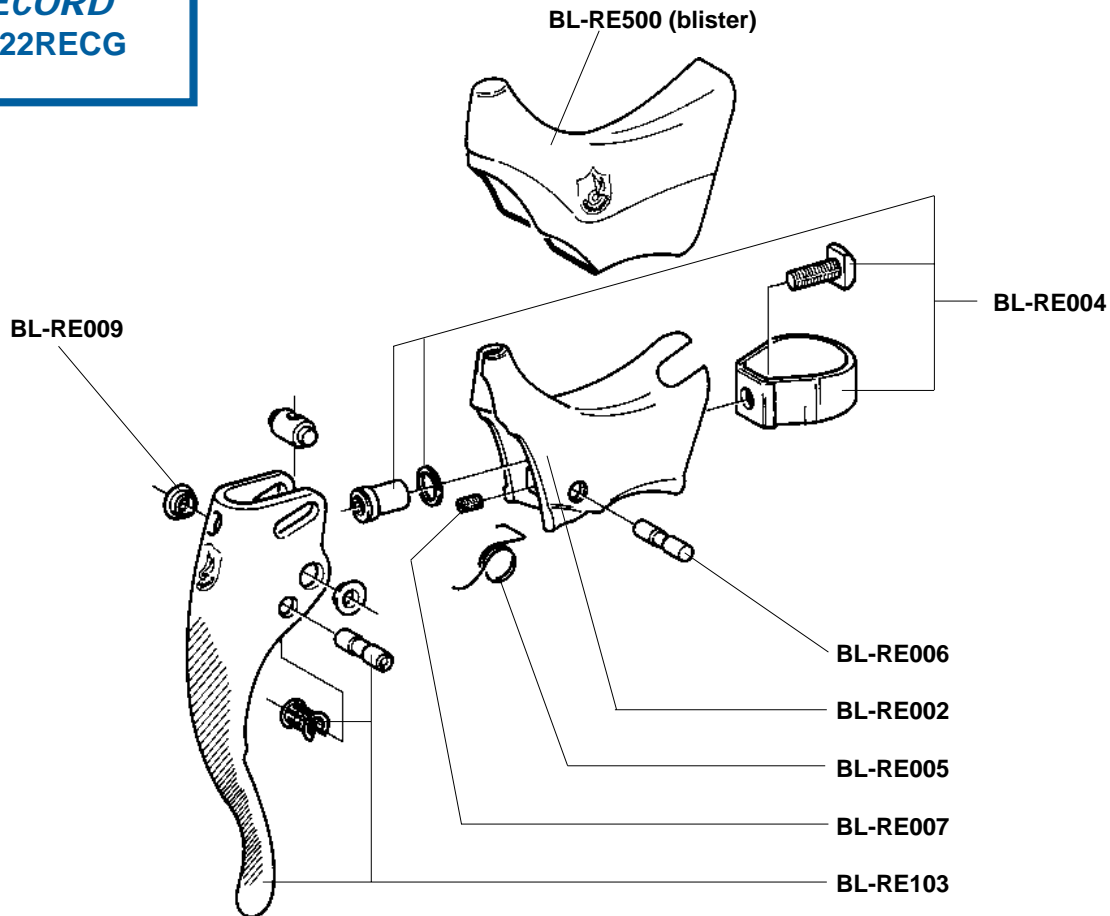




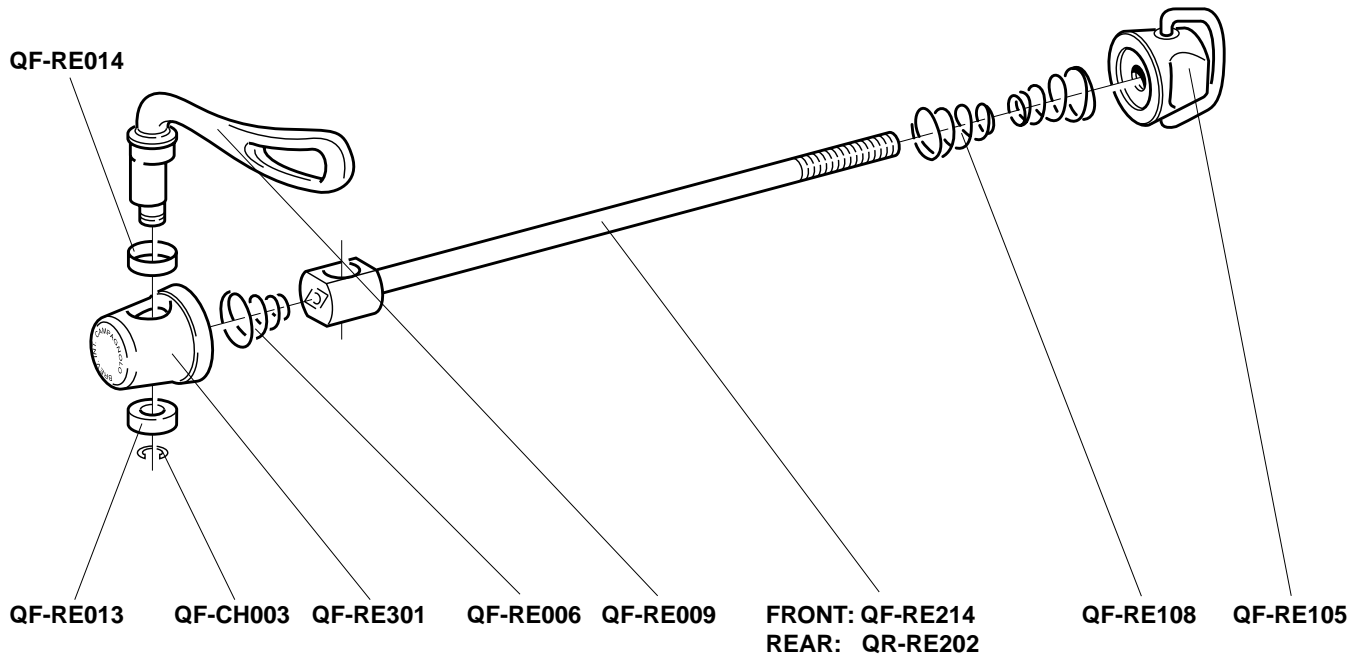
**BAR-END  
9 SPEED  
SL-09BECG**



**RECORD**  
**BL-22RECG**

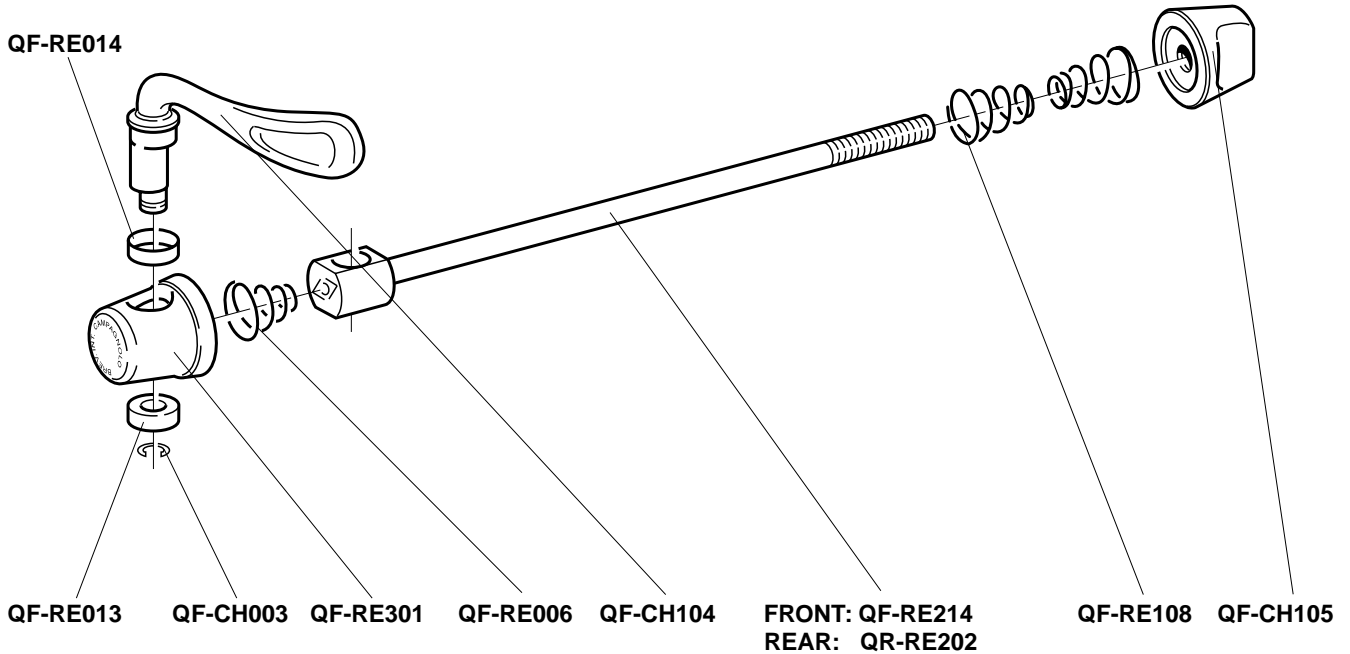


**RECORD  
BORA  
SHAMAL  
ELECTRON**  
front: QF-RE121  
rear: QR-RE121



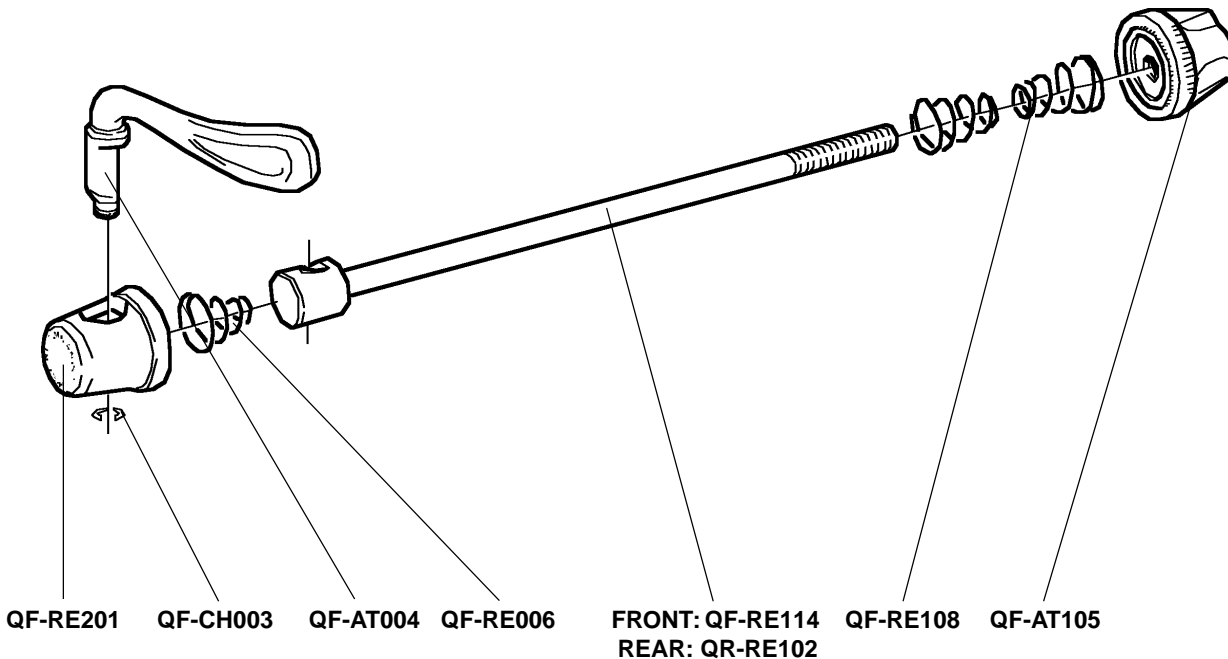
**CHORUS  
VENTO  
PROTON**

front: QF-CH111  
rear: QR-CH111



**ATHENA  
ZONDA**

front: QF-AT101  
rear: QR-AT101

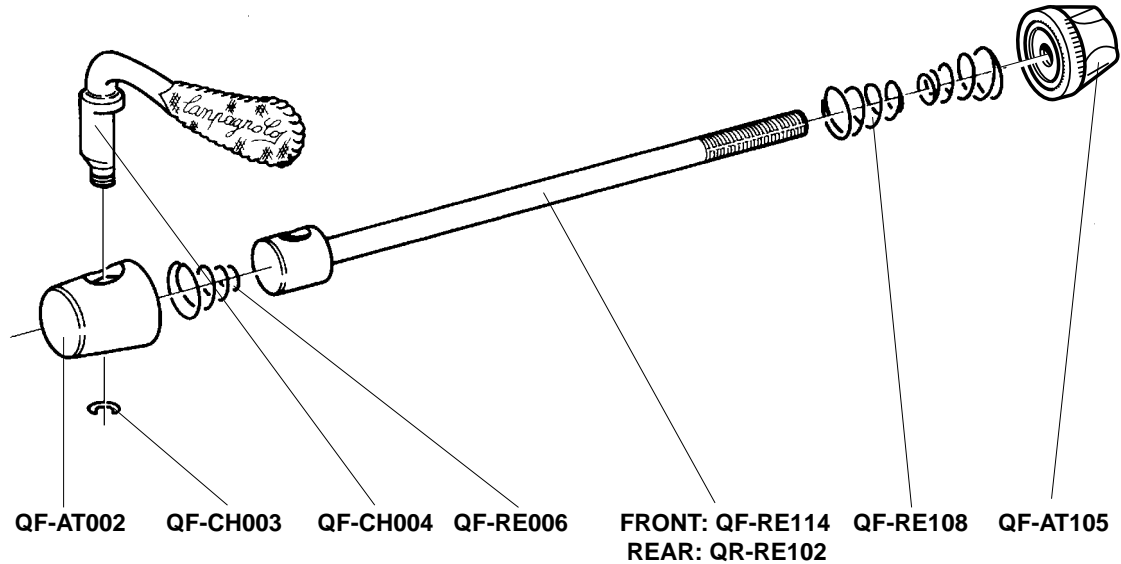


**VELOCE**

**SCIROCCO**

front: QF-VL201

rear: QR-VL201



**MIRAGE  
EURUS**

front: QF-VL001

rear: QR-VL001

**AVANTI**

front: QF-MI001

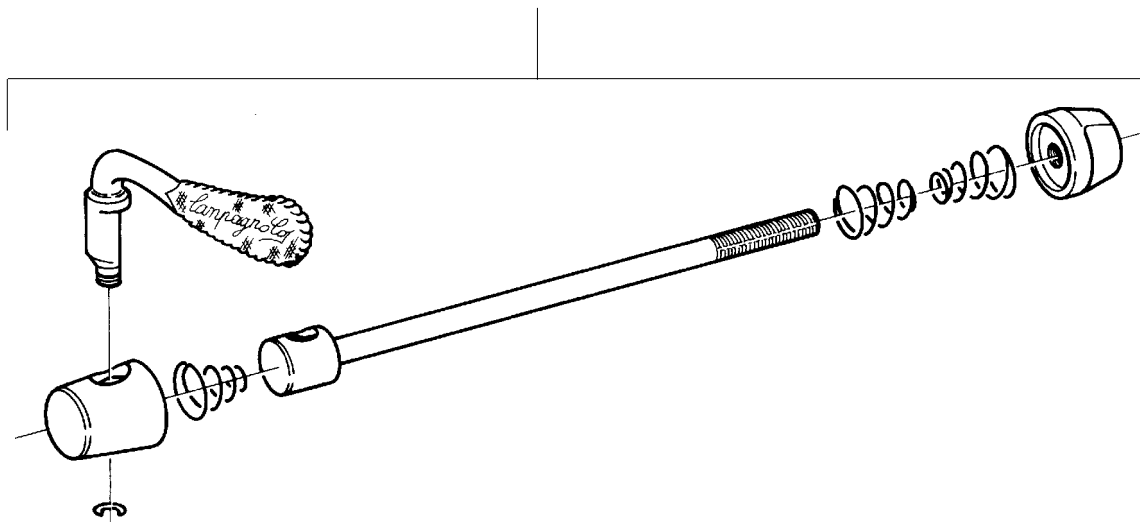
rear: QR-MI001

MIRAGE: FRONT: QF-VL001

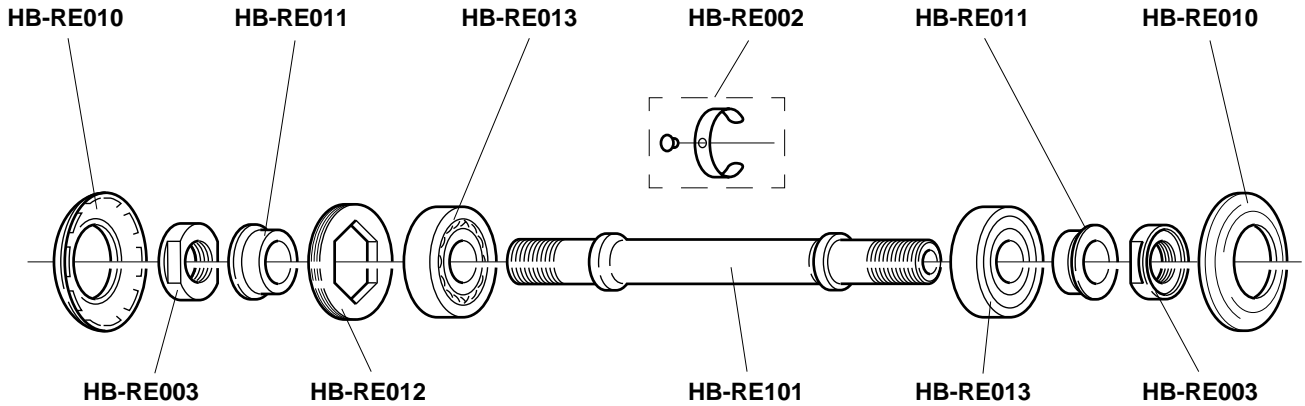
REAR: QR-VL001

AVANTI: FRONT: QF-MI001

REAR: QR-MI001

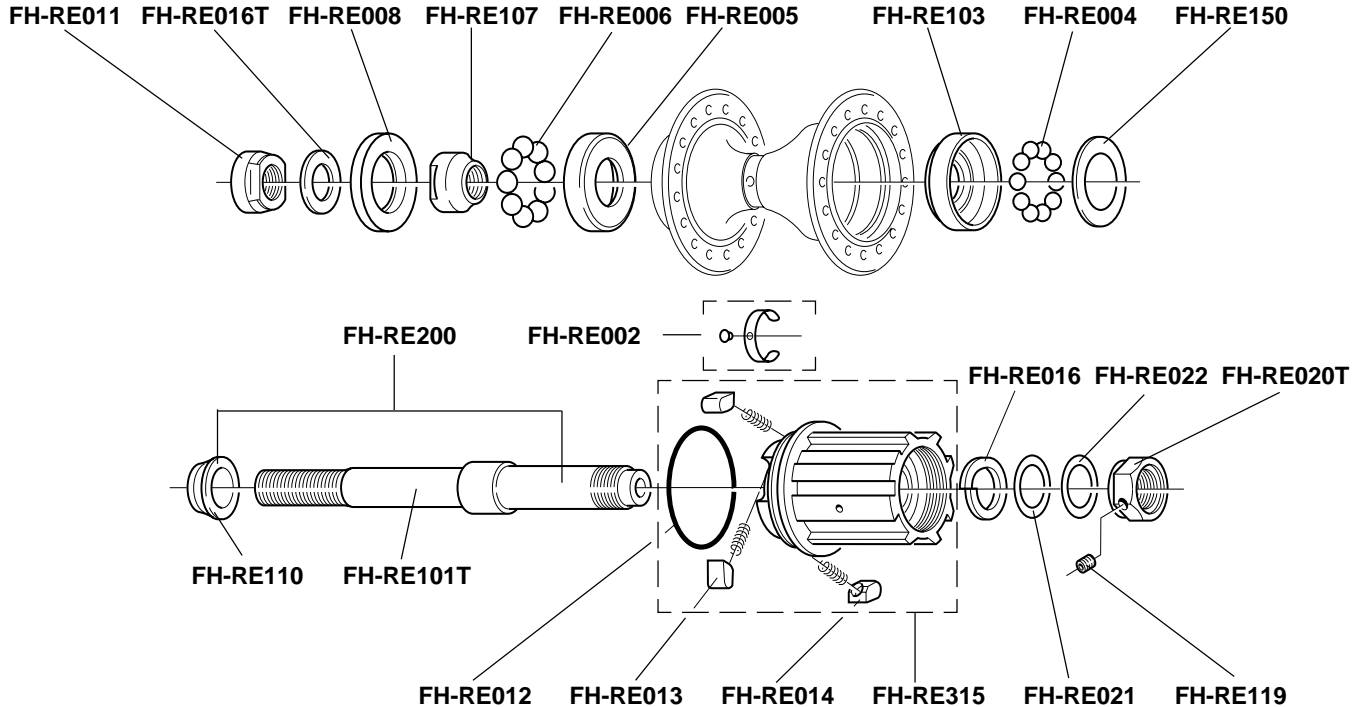


**RECORD  
HB-30RE**

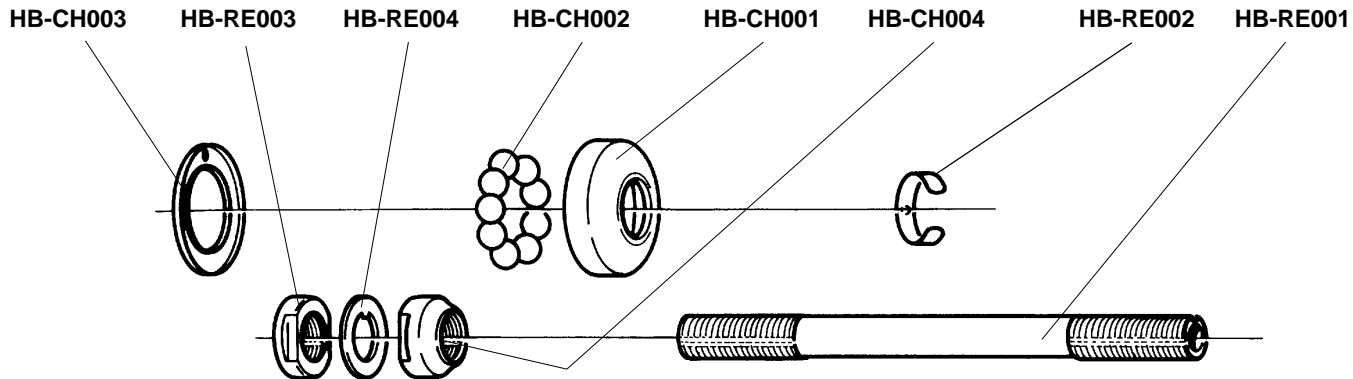




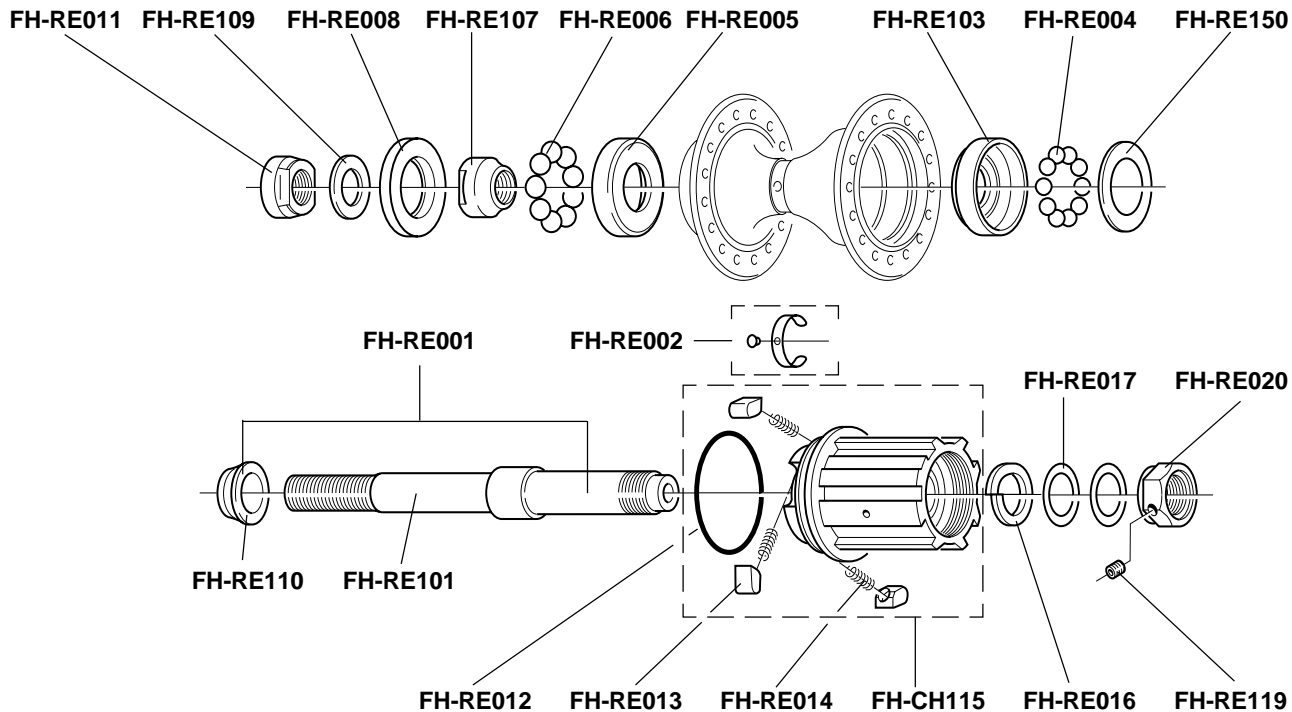
**RECORD  
9 SPEED  
FH-19RE**



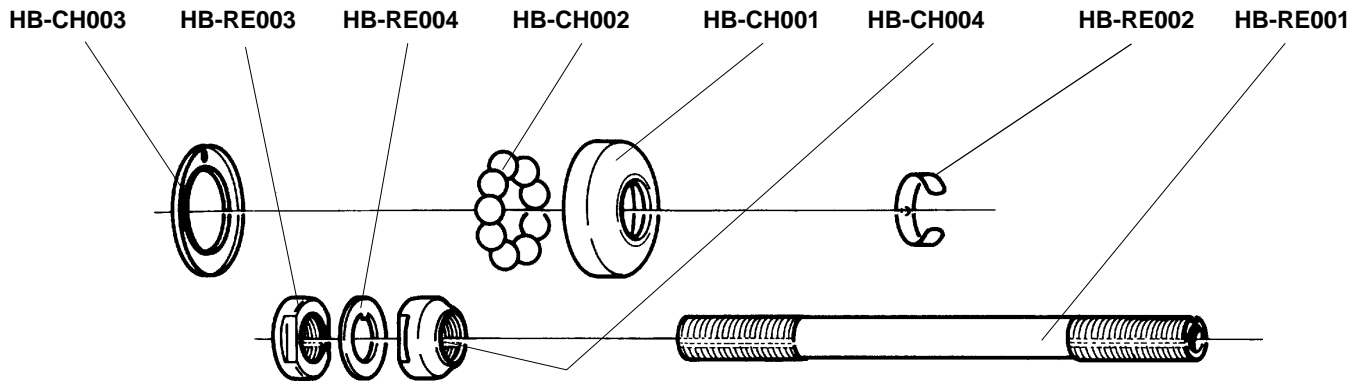
**CHORUS**  
**HB-20CH**



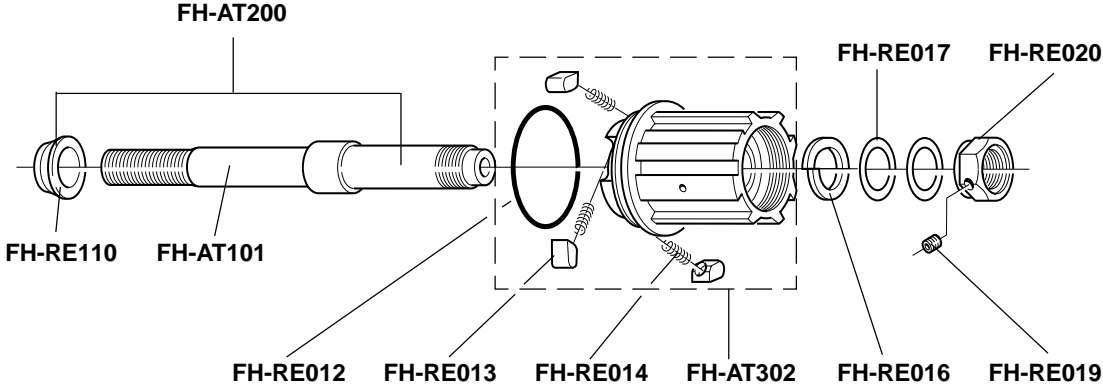
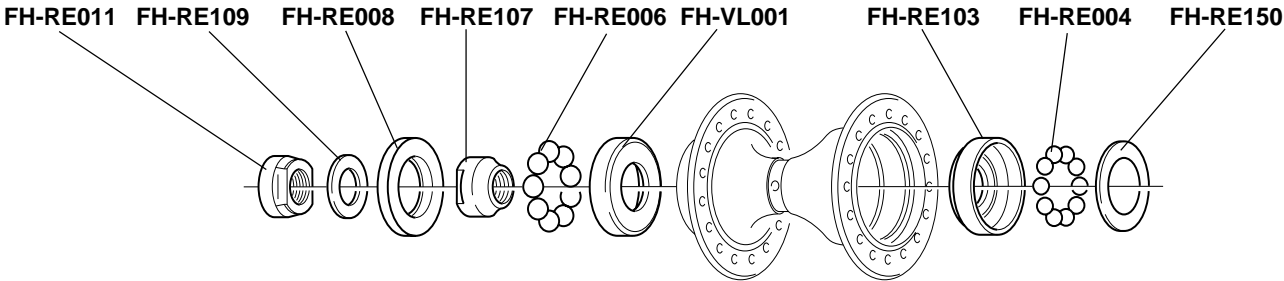
**CHORUS  
9 SPEED  
FH-19CH**



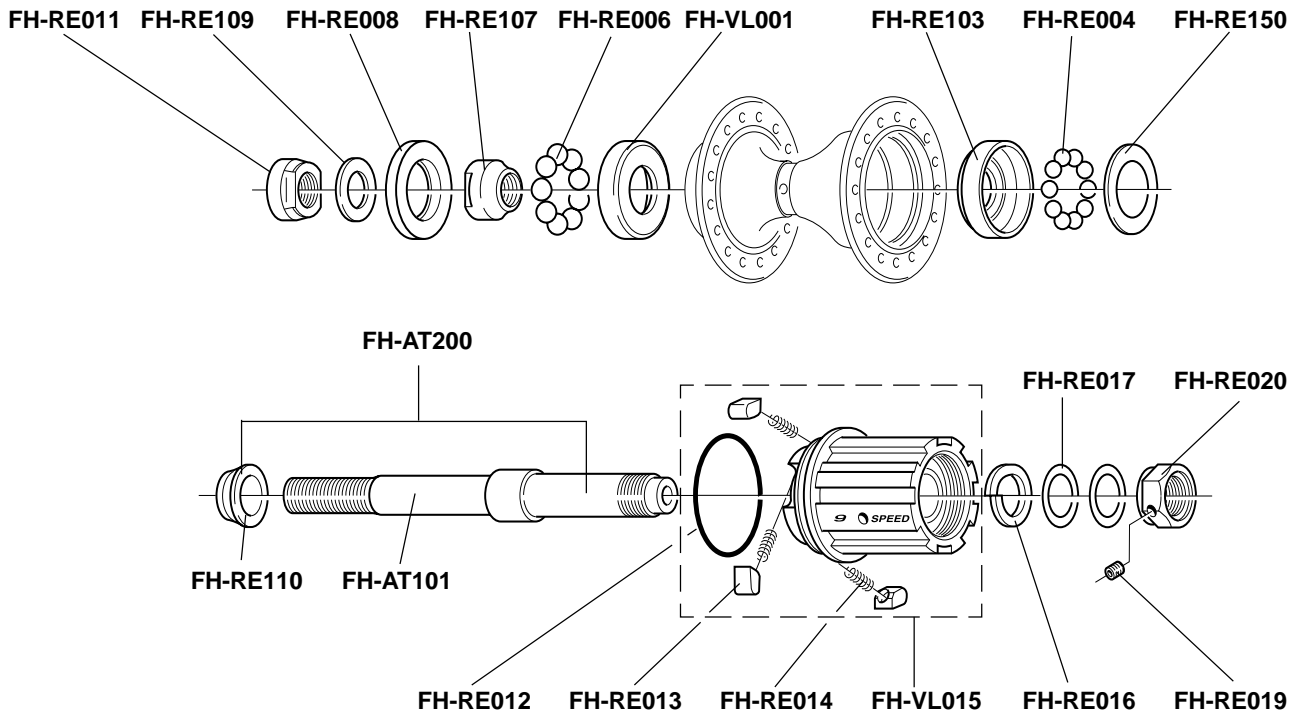
**ATHENA**  
**HB-50AT**  
**VELOCE**  
**HB-40VL**



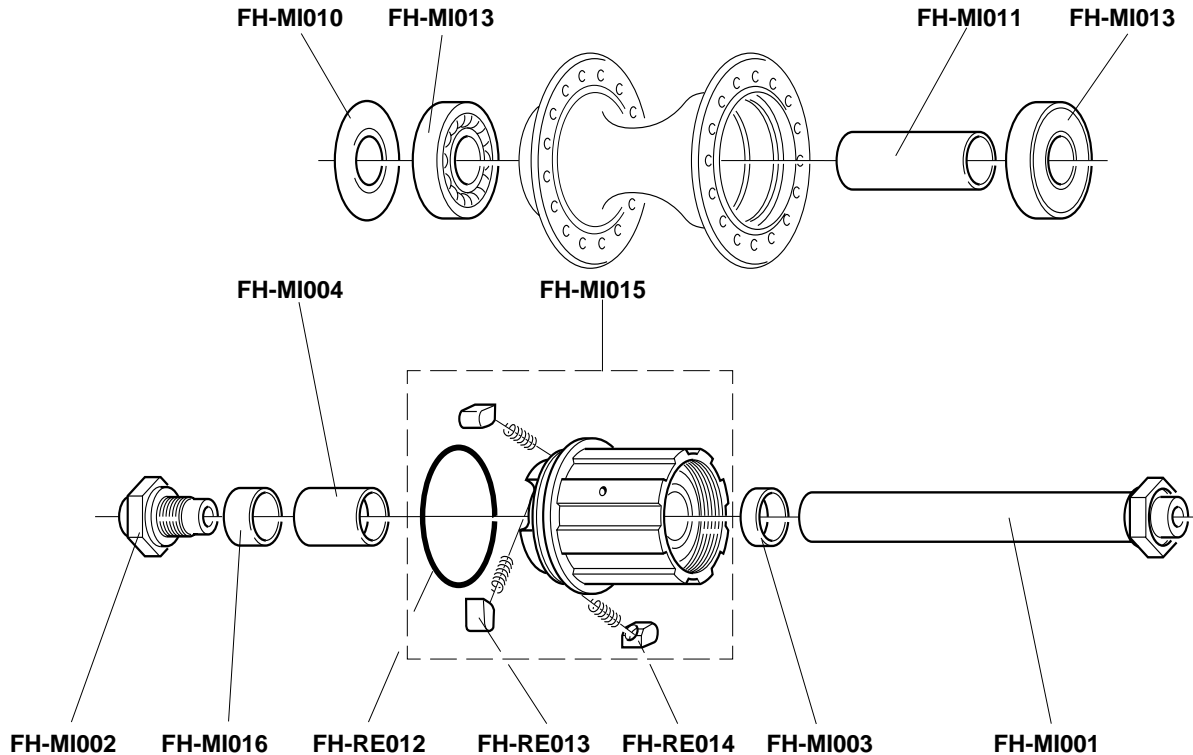
**ATHENA  
9 SPEED  
FH-09AT**



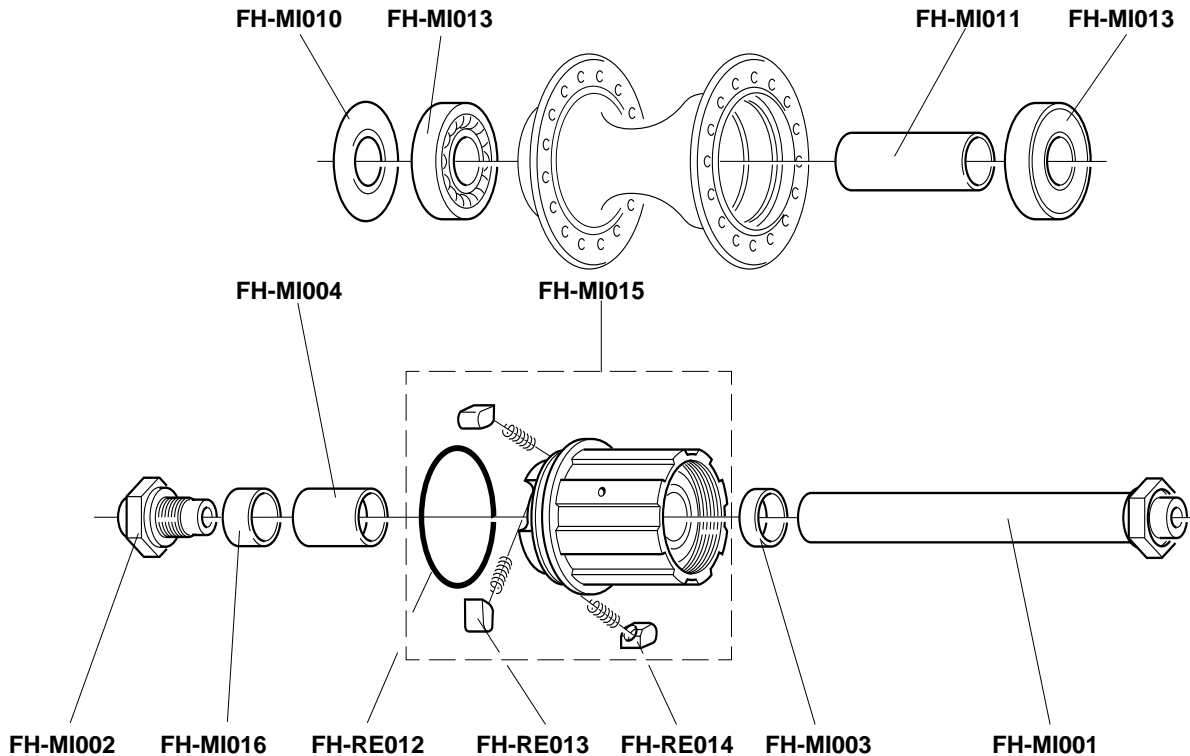
**VELOCE  
9 SPEED  
FH-09VL**



**MIRAGE**  
**FH-20MI**

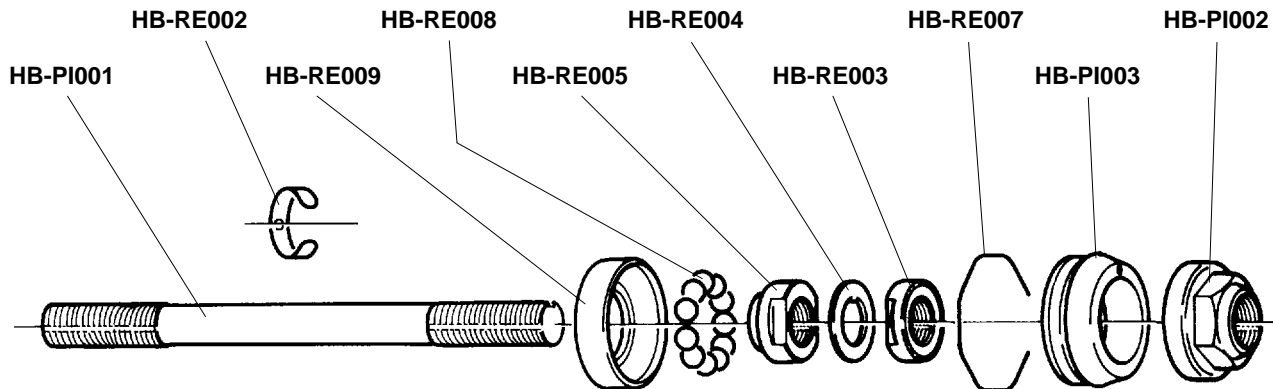


**AVANTI  
FH-20AV**

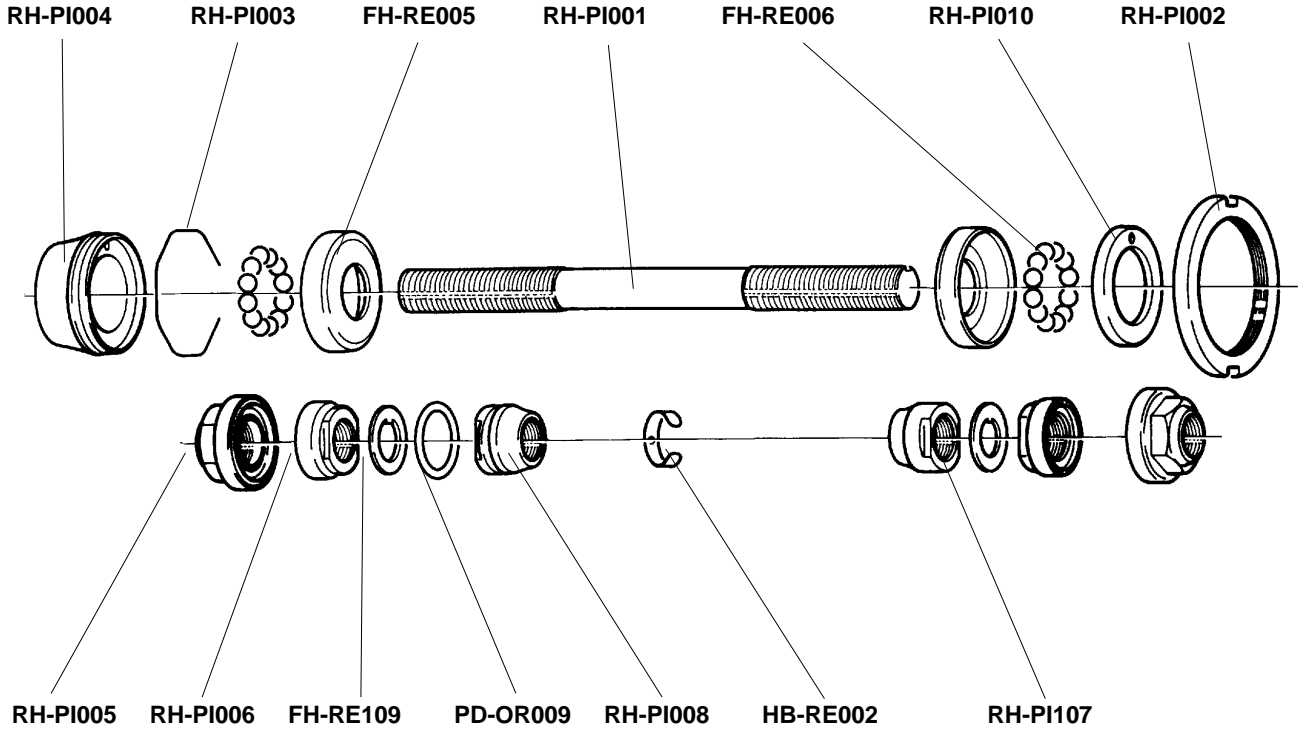




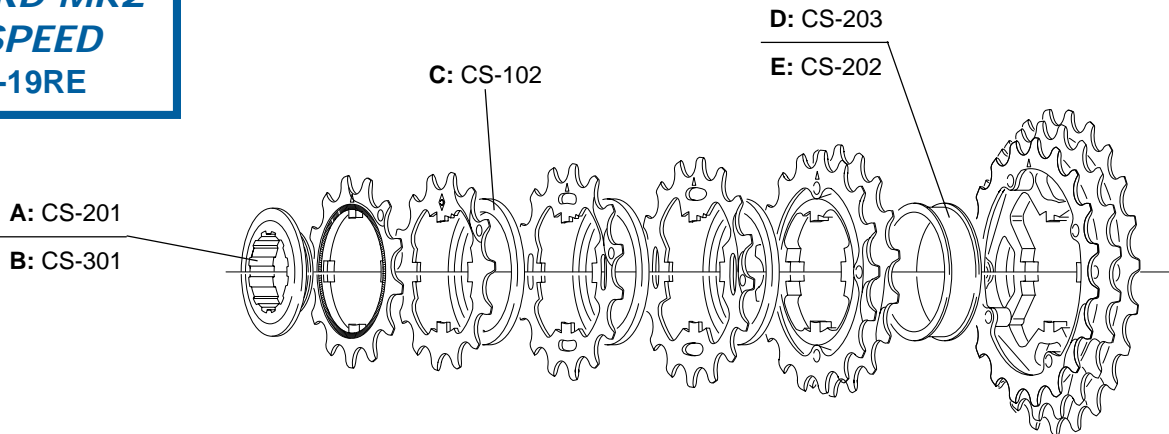
**RECORD PISTA**  
**HB-00PI**



**RECORD PISTA**  
**RH-10PI**



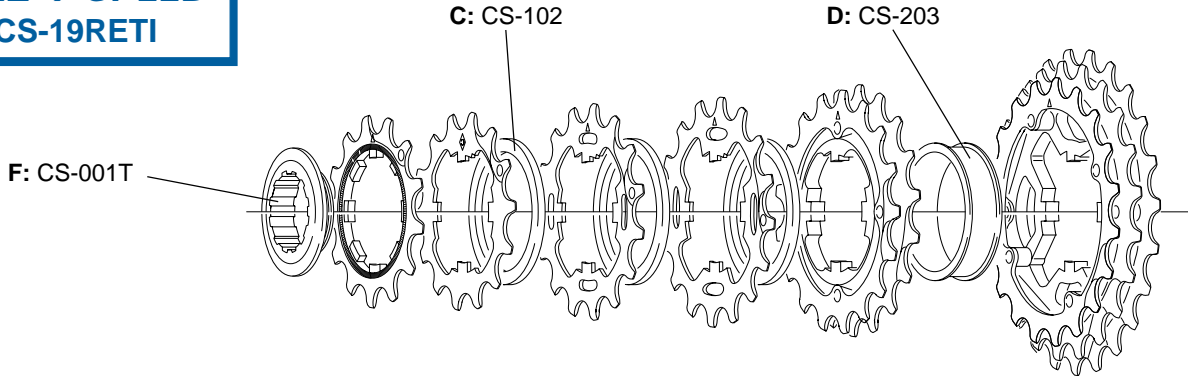
**RECORD MK2**  
**9 SPEED**  
**CS-19RE**



11 - 21	B	11A-1° 9S-011	12A 9S-113	C	13A 9S-131	C	14A 9S-141	C	15A 9S-151	C	16A-17A* 9S-670	E	19A-21A* 9S-91AT
11 - 23	B	11B-1° 9S-012	12B 9S-122	C	13B 9S-132	C	14B 9S-142	C	15B 9S-152	C	17B-19A* 9S-79B	E	21A-23A* 9S-130T
12 - 21	A	12A-1° 9S-113	13A 9S-131	C	14A 9S-141	C	15A 9S-151	C	16A-17A-18C* 9S-678	D	19C-21C* 9S-91CT		
12 - 23	A	12A-1° 9S-113	13A 9S-131	C	14A 9S-141	C	15A 9S-151	C	16A-17A* 9S-670	D	19A-21A-23A* 9S-913AT		
13 - 23	A	13A-1° 9S-114	14A 9S-141	C	15A 9S-151	C	16A 9S-161	C	17A-18C* 9S-780	D	19C-21C-23C* 9S-913CT		
13 - 26	A	13A-1° 9S-114	14A 9S-141	C	15A 9S-151	C	16A 9S-161	C	17A-19A* 9S-79A	D	21A-23A-26A* 9S-136T		

\* pre-assembled

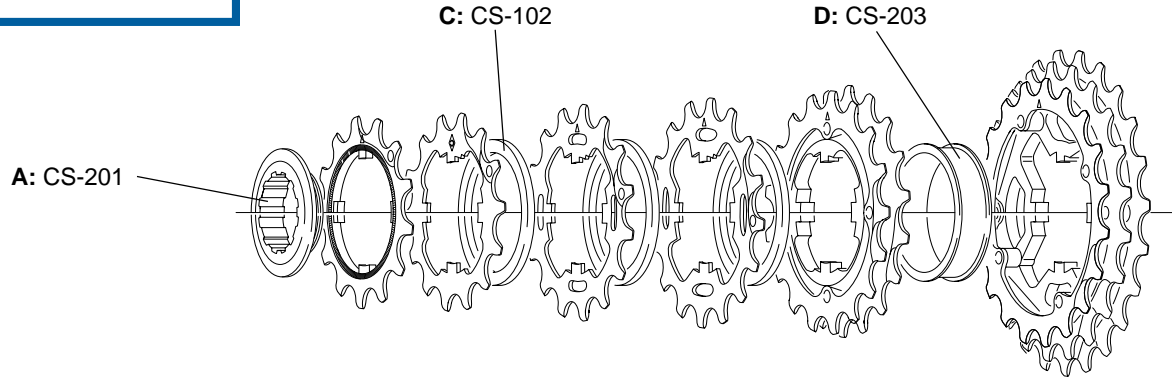
**RECORD  
TITANIUM  
MK2 9 SPEED  
CS-19RETI**



<b>12 - 21</b>	<b>F</b>	<b>12A-1°</b> 9S-012T	<b>13A</b> 9S-131T	<b>C</b>	<b>14A</b> 9S-141T	<b>C</b>	<b>15A</b> 9S-151T	<b>C</b>	<b>16A-17A-18C*</b> 9S-678T	<b>D</b>	<b>19C-21C*</b> 9S-91CT
<b>12 - 23</b>	<b>F</b>	<b>12A-1°</b> 9S-012T	<b>13A</b> 9S-131T	<b>C</b>	<b>14A</b> 9S-141T	<b>C</b>	<b>15A</b> 9S-151T	<b>C</b>	<b>16A-17A*</b> 9S-670T	<b>D</b>	<b>19A-21A-23A*</b> 9S-913AT
<b>13 - 23</b>	<b>F</b>	<b>13A-1°</b> 9S-013T	<b>14A</b> 9S-141T	<b>C</b>	<b>15A</b> 9S-151T	<b>C</b>	<b>16A</b> 9S-161T	<b>C</b>	<b>17A-18C*</b> 9S-780T	<b>D</b>	<b>19C-21C-23C*</b> 9S-913CT
<b>13 - 26</b>	<b>F</b>	<b>13A-1°</b> 9S-013T	<b>14A</b> 9S-141T	<b>C</b>	<b>15A</b> 9S-151T	<b>C</b>	<b>16A</b> 9S-161T	<b>C</b>	<b>17A-19A*</b> 9S-79AT	<b>D</b>	<b>21A-23A-26A*</b> 9S-136T

\* pre-assembled

**CHORUS MK2**  
**9 SPEED**  
**CS-19SP**



<b>12 - 21</b>	<b>A</b>	<b>12A-1°</b> 9S-113	<b>13A</b> 9S-131	<b>C</b>	<b>14A</b> 9S-141	<b>C</b>	<b>15A</b> 9S-151	<b>C</b>	<b>16A-17A-18C*</b> 9S-678	<b>D</b>	<b>19C-21C*</b> 9S-91C
<b>12 - 23</b>	<b>A</b>	<b>12A-1°</b> 9S-113	<b>13A</b> 9S-131	<b>C</b>	<b>14A</b> 9S-141	<b>C</b>	<b>15A</b> 9S-151	<b>C</b>	<b>16A-17A*</b> 9S-670	<b>D</b>	<b>19A-21A-23A*</b> 9S-913A
<b>13 - 23</b>	<b>A</b>	<b>13A-1°</b> 9S-114	<b>14A</b> 9S-141	<b>C</b>	<b>15A</b> 9S-151	<b>C</b>	<b>16A</b> 9S-161	<b>C</b>	<b>17A-18C*</b> 9S-780	<b>D</b>	<b>19C-21C-23C*</b> 9S-913C
<b>13 - 26</b>	<b>A</b>	<b>13A-1°</b> 9S-114	<b>14A</b> 9S-141	<b>C</b>	<b>15A</b> 9S-151	<b>C</b>	<b>16A</b> 9S-161	<b>C</b>	<b>17A-19A*</b> 9S-79A	<b>D</b>	<b>21A-23A-26A*</b> 9S-136

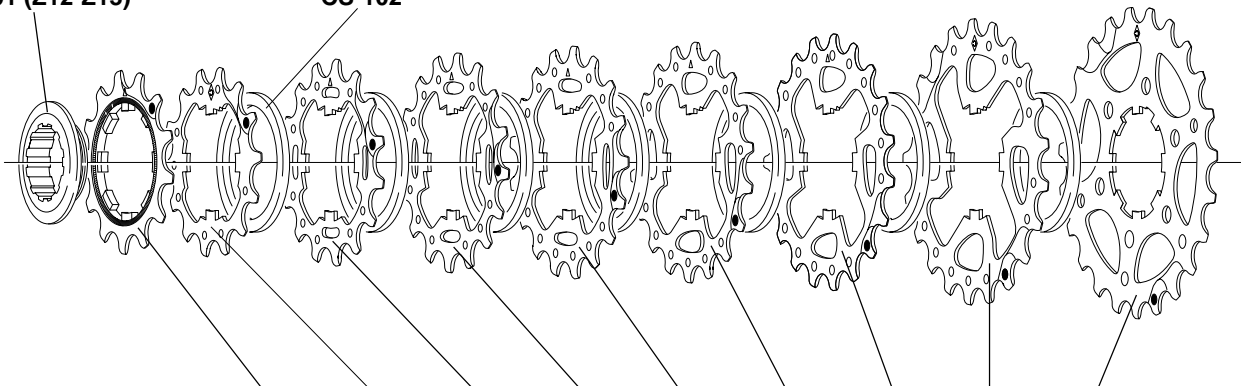
\* pre-assembled

# 9 SPEED CS-09SP

CS-301 (Z11)

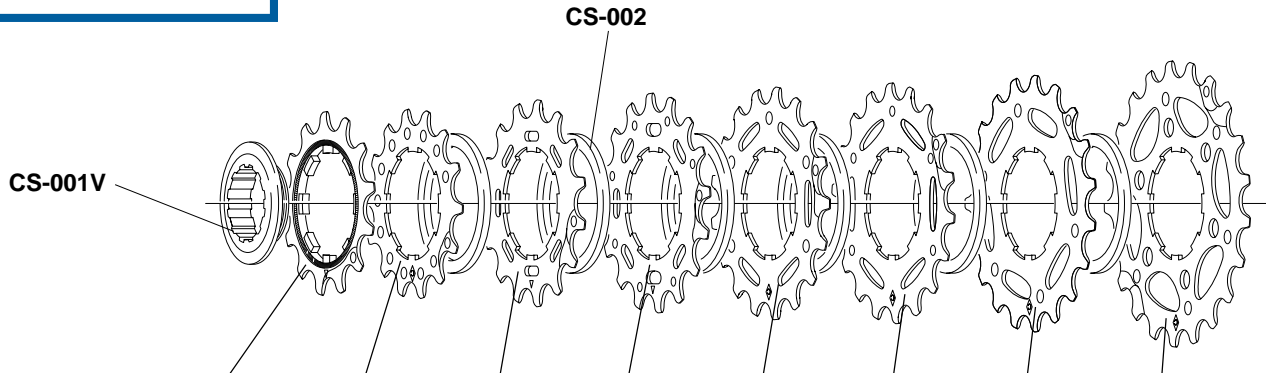
CS-201 (Z12-Z13)

CS-102



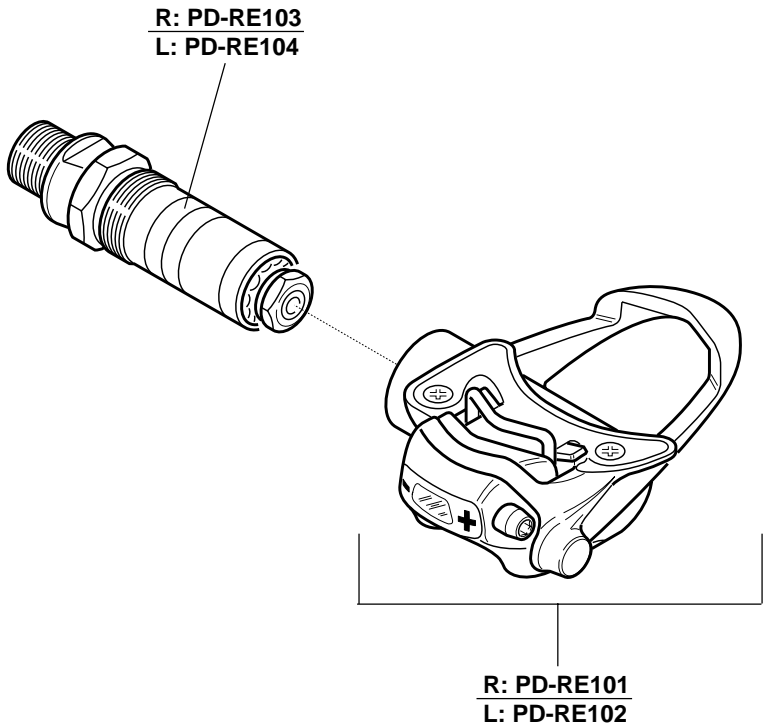
<b>11 - 23</b>	<b>11B-1P</b>	<b>12B</b>	<b>13B</b>	<b>14B</b>	<b>15B</b>	<b>17B</b>	<b>19A</b>	<b>21A</b>	<b>23A</b>
	9S-012	9S-022	9S-132	9S-142	9S-152	9S-172	9S-191	9S-211	9S-231
<b>12 - 23</b>	<b>12A-1P</b>	<b>13A</b>	<b>14A</b>	<b>15A</b>	<b>16A</b>	<b>17A</b>	<b>19A</b>	<b>21A</b>	<b>23A</b>
	9S-013	9S-131	9S-141	9S-151	9S-161	9S-171	9S-191	9S-211	9S-231
<b>13 - 23</b>	<b>13A-1P</b>	<b>14A</b>	<b>15A</b>	<b>16A</b>	<b>17A</b>	<b>18C</b>	<b>19C</b>	<b>21C</b>	<b>23C</b>
	9S-014	9S-141	9S-151	9S-161	9S-171	9S-183	9S-193	9S-213	9S-233
<b>13 - 26</b>	<b>13A-1P</b>	<b>14A</b>	<b>15A</b>	<b>16A</b>	<b>17A</b>	<b>19A</b>	<b>21A</b>	<b>23A</b>	<b>26A</b>
	9S-014	9S-141	9S-151	9S-161	9S-171	9S-191	9S-211	9S-231	9S-261

**8 SPEED  
CS-08SP**



<b>12 - 23</b>	<b>12B-1P</b> CS-004V	<b>13B</b> CS-132V	<b>14B</b> CS-142V	<b>15B</b> CS-152V	<b>17B</b> CS-172V	<b>19A</b> CS-191V	<b>21A</b> CS-211V	<b>23A</b> CS-231V
<b>12 - 25</b>	<b>12C-1P</b> CS-010V	<b>13C</b> CS-133V	<b>15C</b> CS-153V	<b>17B</b> CS-172V	<b>19A</b> CS-191V	<b>21A</b> CS-211V	<b>23A</b> CS-231V	<b>25A</b> CS-251V
<b>13 - 23</b>	<b>13A-1P</b> CS-005V	<b>14A</b> CS-141V	<b>15A</b> CS-151V	<b>16A</b> CS-161V	<b>17A</b> CS-171V	<b>19A</b> CS-191V	<b>21A</b> CS-211V	<b>23A</b> CS-231V
<b>13 - 26</b>	<b>13B-1P</b> CS-006V	<b>14B</b> CS-142V	<b>15B</b> CS-152V	<b>17B</b> CS-172V	<b>19A</b> CS-191V	<b>21A</b> CS-211V	<b>23A</b> CS-231V	<b>26A</b> CS-261V
<b>14 - 26</b>	<b>14A-1P</b> CS-007V	<b>15A</b> CS-151V	<b>16A</b> CS-161V	<b>17A</b> CS-171V	<b>19A</b> CS-191V	<b>21A</b> CS-211V	<b>23A</b> CS-231V	<b>26A</b> CS-261V
<b>16 - 23</b>	<b>16A-1P</b> CS-012V	<b>17A</b> CS-171V	<b>18C</b> CS-183V	<b>19C</b> CS-193V	<b>20D</b> CS-204V	<b>21D</b> CS-214V	<b>22D</b> CS-224V	<b>23D</b> CS-234V

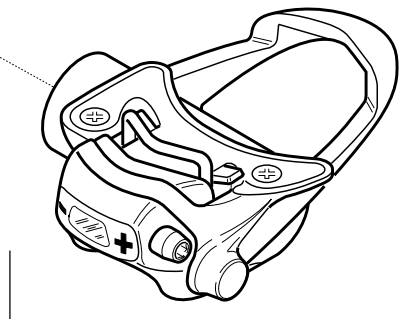
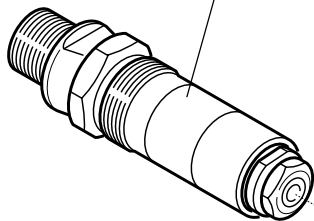
**RECORD PRO-FIT  
PEDALS  
PD-52REQR**





**CHORUS PRO-FIT  
PEDALS  
PD-42CHQR**

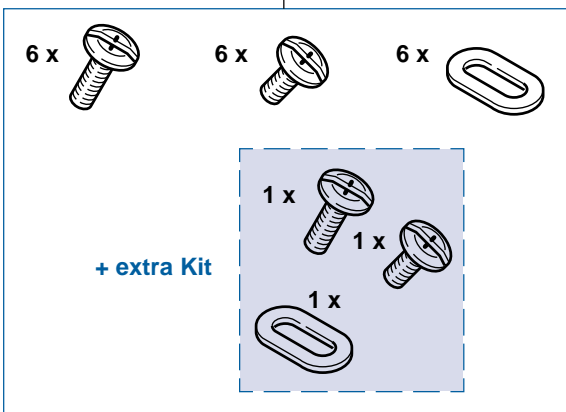
**R: PD-CH103  
L: PD-CH104**



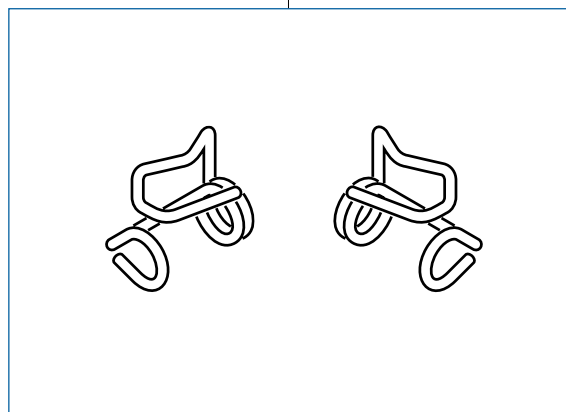
**R: PD-CH101  
L: PD-CH102**

**PRO-FIT PEDALS  
SPARE PARTS**

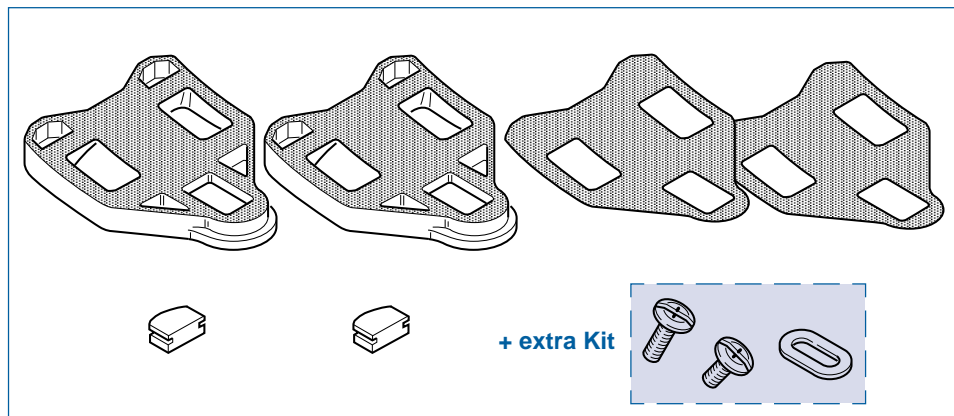
PD-RE106



R + L: PD-RE105

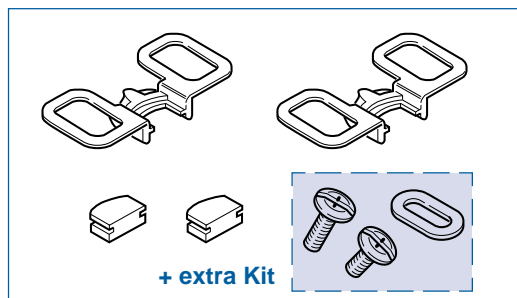


**PRO-FIT PEDALS**  
**SPARE PARTS**  
(blister-packed)



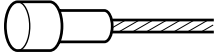
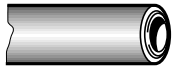





**FLOATING CLEATS**  
**PD-RE020**

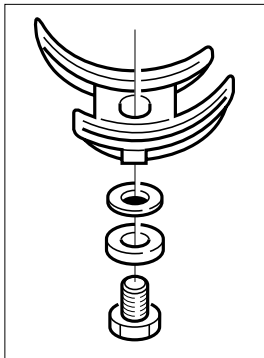
**FIXED CLEATS**  
**PD-RE021**



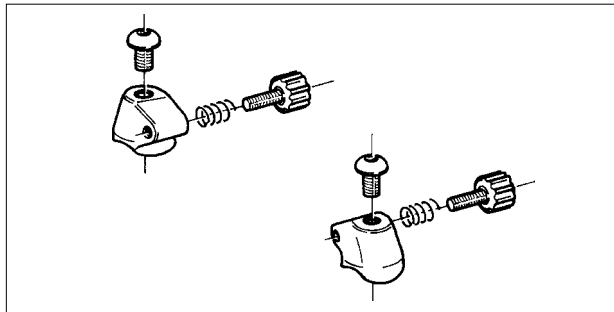
**PD-RE100**

<b>COMPLETE SETS</b>			
<b>ERGOPOWER</b>	<i>RECORD 9 SPEED</i>		<b>CG-ER201</b>
	<i>CHORUS 9 SPEED</i>		
	<i>ATHENA 9 SPEED</i>		
	<i>VELOCE 9 SPEED</i>		<b>CG-ER102</b>
	<i>MIRAGE</i> <i>AVANTI</i>		<b>CG-ER202</b>
<b>TRADITIONAL</b>	<i>RECORD 9 SP.</i>	brakes	<b>CG-BR201</b>
		derailleurs	<b>CG-DD101</b>

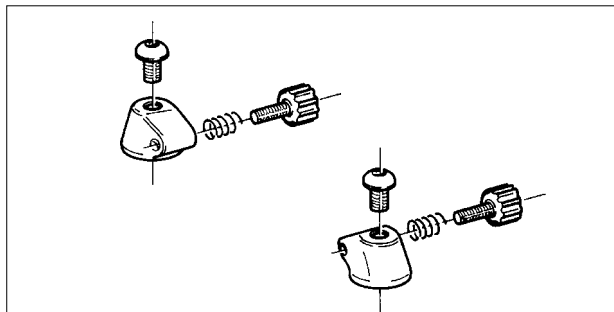
SPARE PARTS		FRONT	REAR	
BRAKES		Ø 1,6 mm L. 800 mm CG-CB003	Ø 1,6 mm L. 1600 mm CG-CB013	
		Ø 5 mm L. 580 mm CG-CS014	Ø 5 mm L. 1250 mm CG-CS002	
		Ø 6 mm CG-CS011		
DERAILLEURS	 Ø 1,2 mm	ERGOPOWER	L. 1600	CG-CB014
		ERGOPOWER	L. 2000	CG-CB009
		SHIFTING LEVERS	L. 830	CG-CB011
		SHIFTING LEVERS	L. 1600	CG-CB014
	 Ø 4,5 mm	ERGOPOWER	L. 680	CG-CS015
		ERGOPOWER	L. 330	CG-CS008
		Ø 5,7 mm CG-CS012		
	Ø 5,7/4 mm CG-CS013			



**CABLE GUIDE PLATE**  
AI-00CD (stainless steel)  
AI-12CD (resin)

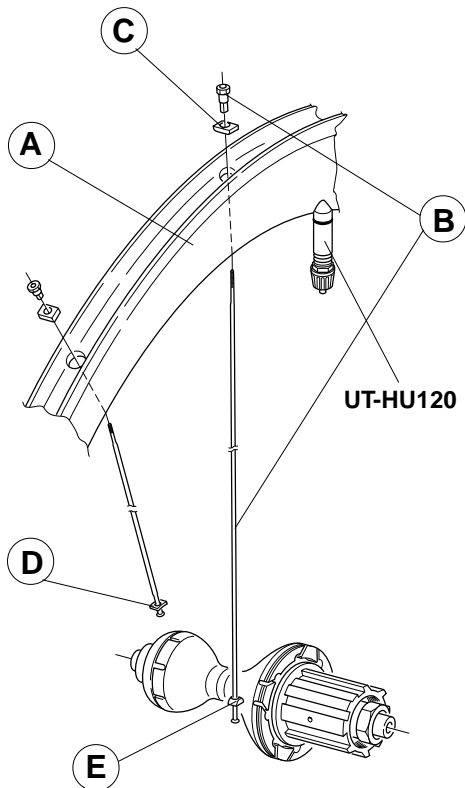


**ERGOPOWER BLOCKS FOR STEEL FRAME**  
Aluminium: EC-RE001    Resin: EC-AT001



**ERGOPOWER BLOCKS FOR CARBON FRAME**  
Aluminium: EC-RE002    Resin: EC-AT002

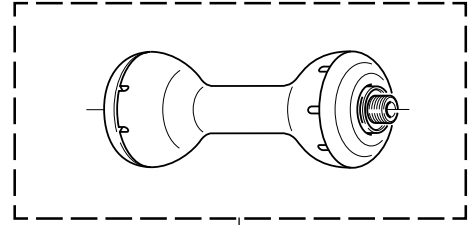
# BORA 9 SPEED



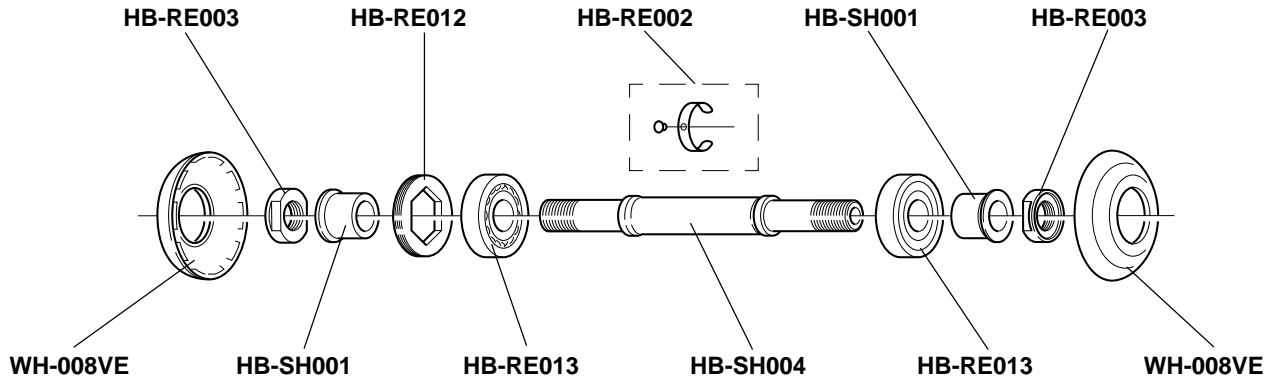
	COMPLETE WHEELS	A	KIT (B + C + D)	KIT (B + C + D + E)
FRONT	R-BO101 tubular 28"	WH-101BO	KIT-01BO	
REAR	R-BO201 tubular 28"	WH-101BO		KIT-02BO

	COMPLETE WHEELS	B	B right	B left
FRONT	R-BO101 tubular 28"	L. 278 mm		
REAR	R-BO201 tubular 28"		L. 278 mm	L. 277 mm

**BORA**

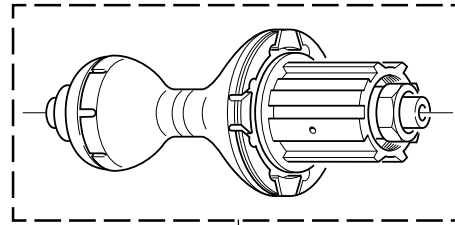


**WH-042BO**

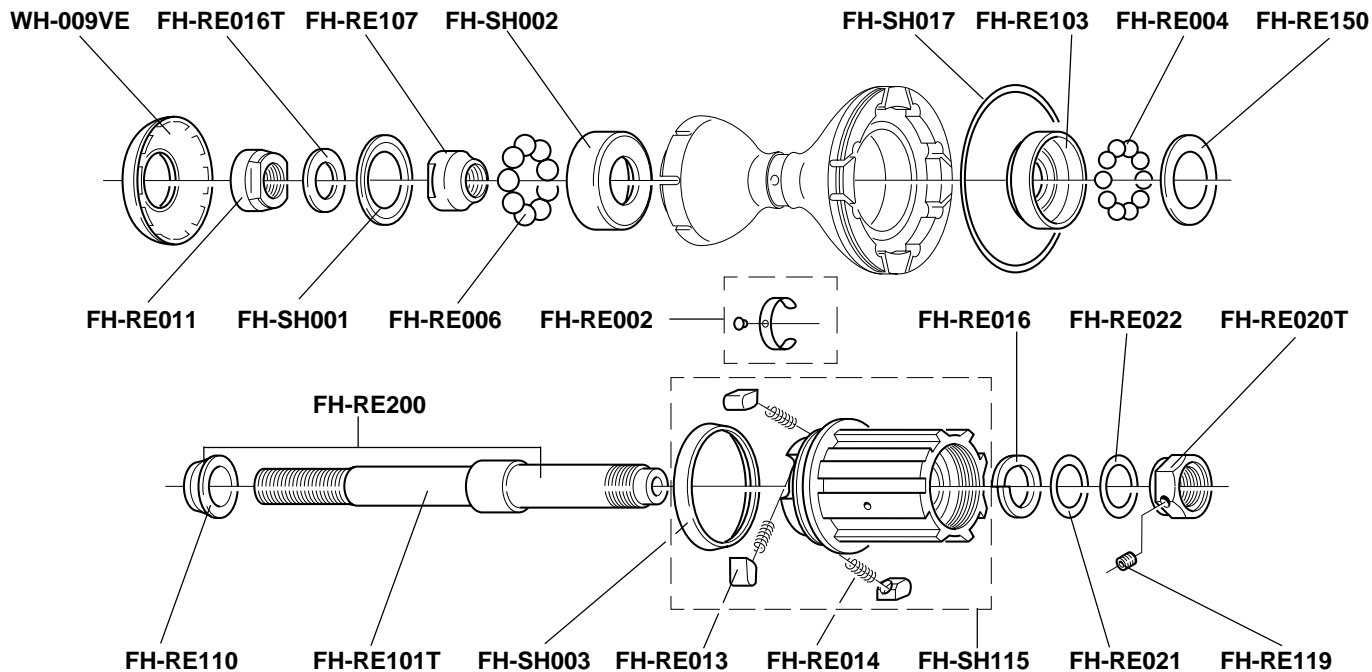




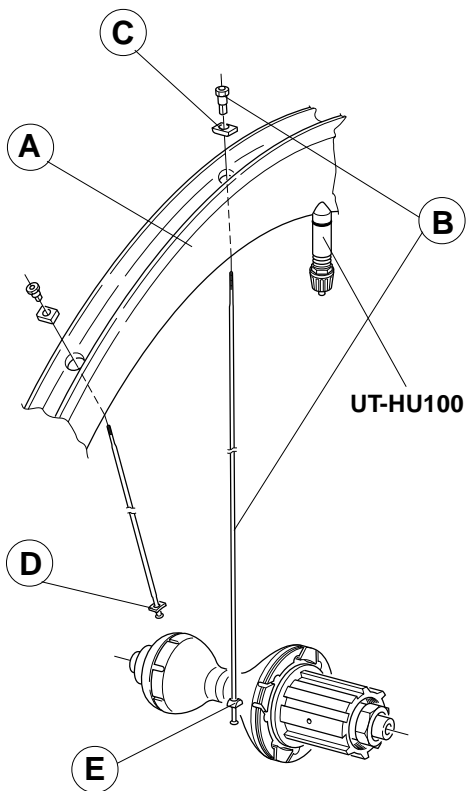
**BORA  
9 SPEED**



**WH-043BO**



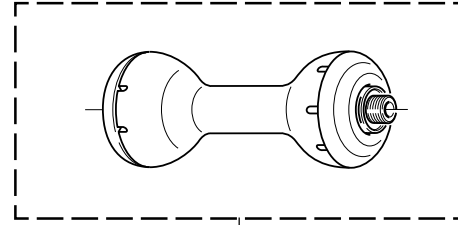
## SHAMAL 9 SPEED



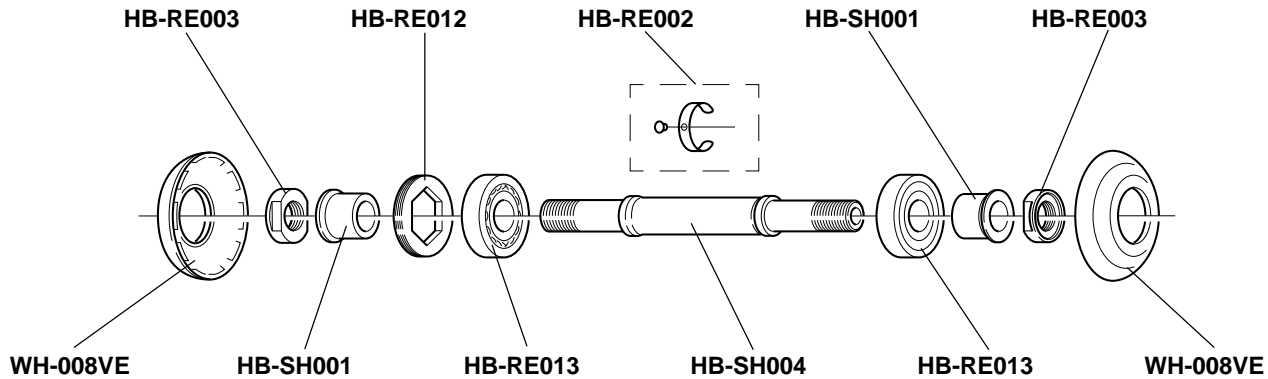
	COMPLETE WHEELS	A	KIT (B + C + D)	KIT (B + C + D + E)
FRONT	<b>R-SH110</b> tubular 28"	WH-008SH	KIT-95SH	
	<b>R-SH305</b> clincher 28"	WH-009SH	KIT-98SH	
REAR	<b>R-SH212</b> tubular 28"	WH-010SH		KIT-97SH
	<b>R-SH406</b> clincher 28"	WH-011SH		KIT-94VE

	COMPLETE WHEELS	B	B right	B left
FRONT	<b>R-SH110</b> tubular 28"	L. 281 mm		
	<b>R-SH305</b> clincher 28"	L. 282 mm		
REAR	<b>R-SH212</b> tubular 28"		L. 280 mm	L. 276 mm
	<b>R-SH406</b> clincher 28"		L. 282 mm	L. 278 mm

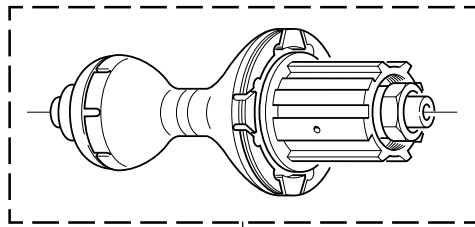
**SHAMAL**



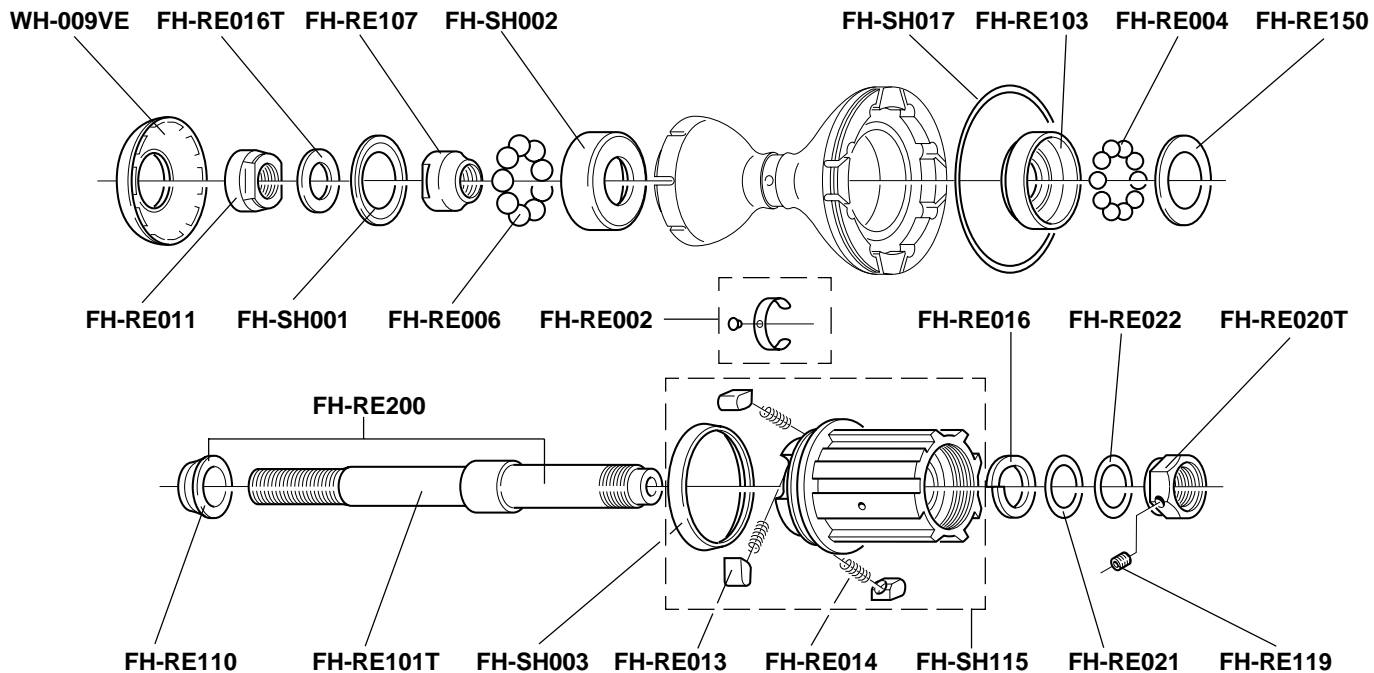
**WH-142SH**



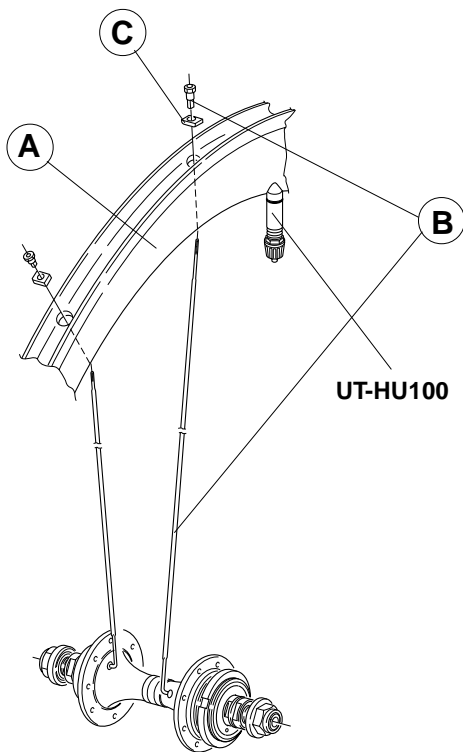
# SHAMAL 9 SPEED



WH-143SH



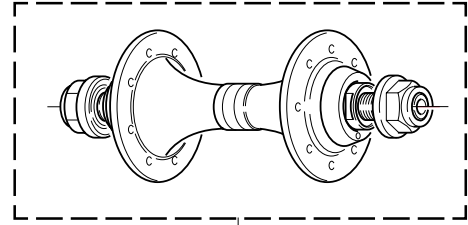
# SHAMAL PISTA



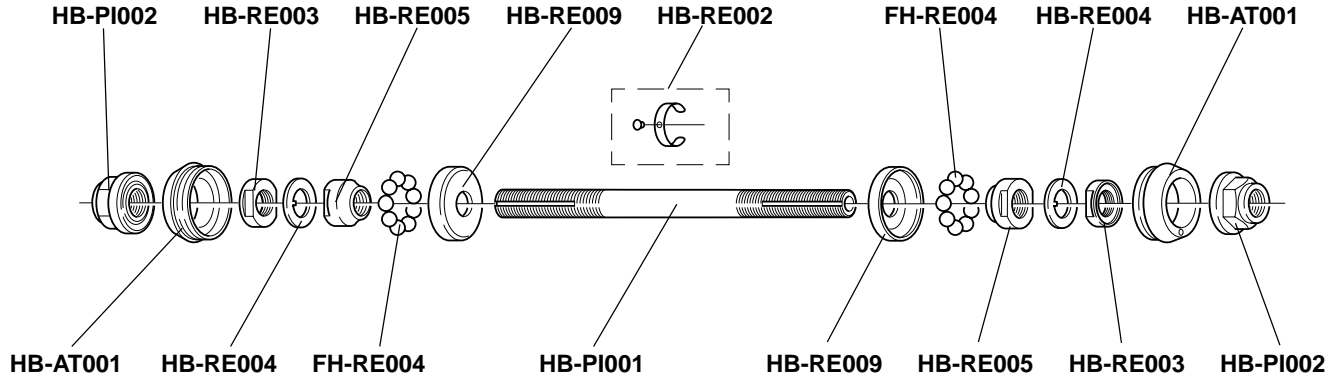
	COMPLETE WHEEL	A	KIT (B + C)
FRONT	<b>R-SH107</b> tubular 28"	WH-026SH	KIT-01SH
REAR	<b>R-SH204</b> tubular 28"	WH-026SH	KIT-02SH

	COMPLETE WHEEL	B	B right	B left
FRONT	<b>R-SH107</b> tubular 28"	L. 276 mm		
REAR	<b>R-SH204</b> tubular 28"		L. 277 mm	L. 274 mm

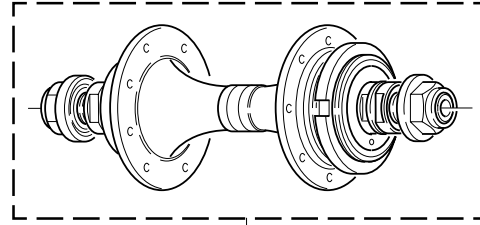
**SHAMAL  
PISTA**



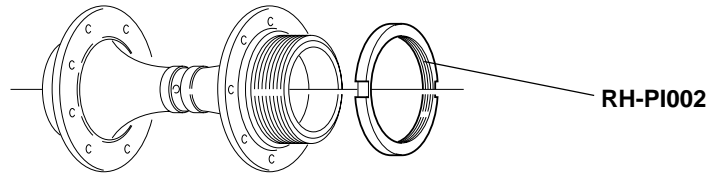
**WH-102PI**



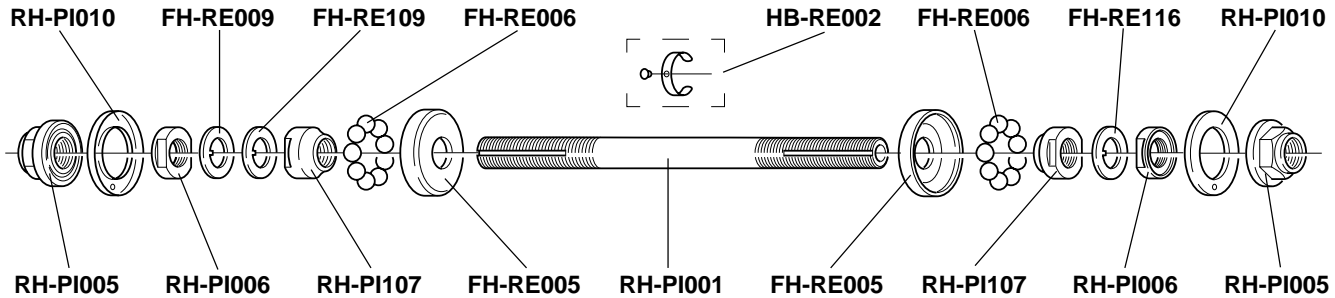
# SHAMAL PISTA



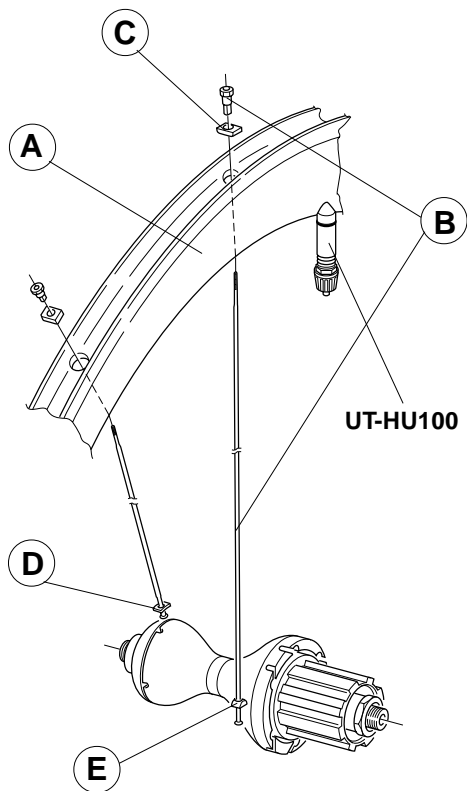
FH-16PI



RH-PI002



## VENTO 9 SPEED

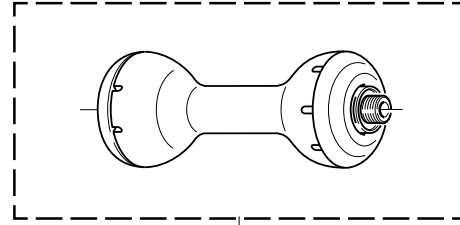


	COMPLETE WHEELS	A	KIT (B + C + D)	KIT (B + C + D + E)
FRONT	<b>R-VE101</b> tubular 26"	WH-003VE	KIT-96VE	
	<b>R-VE310</b> clincher 26"	WH-001VE	KIT-91VE	
	<b>R-VE311</b> clincher 28"	WH-002VE	KIT-92VE	
REAR	<b>R-VE201</b> tubular 26"	WH-003VE		KIT-97VE
	<b>R-VE410</b> clincher 26"	WH-001VE		KIT-93VE
	<b>R-VE411</b> clincher 28"	WH-002VE		KIT-94VE

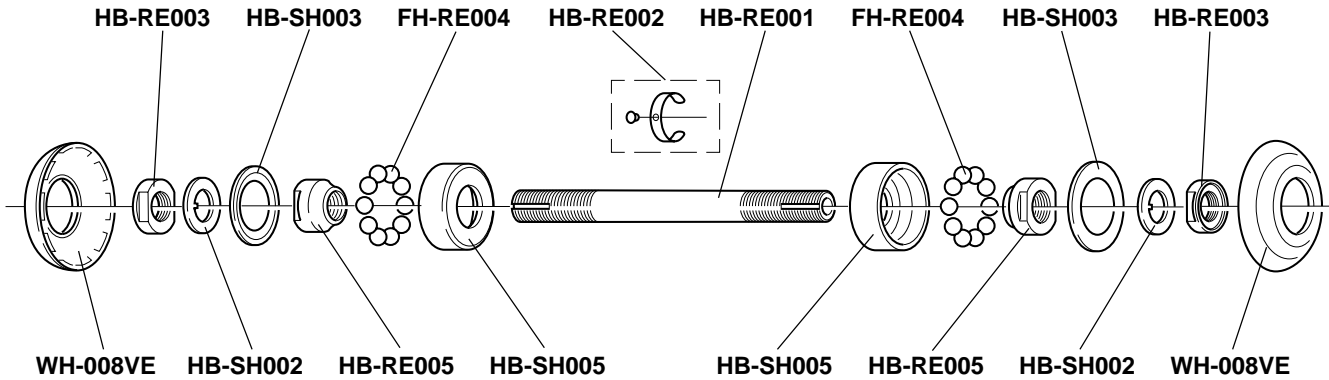
	COMPLETE WHEELS	B	B right	B left
FRONT	<b>R-VE101</b> tubular 26"	L. 256 mm		
	<b>R-VE310</b> clincher 26"	L. 257 mm		
	<b>R-VE311</b> clincher 28"	L. 282 mm		
REAR	<b>R-VE201</b> tubular 26"		L. 256 mm	L. 251 mm
	<b>R-VE410</b> clincher 26"		L. 255 mm	L. 251 mm
	<b>R-VE411</b> clincher 28"		L. 282 mm	L. 278 mm



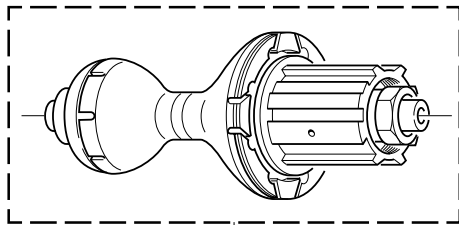
**VENTO**



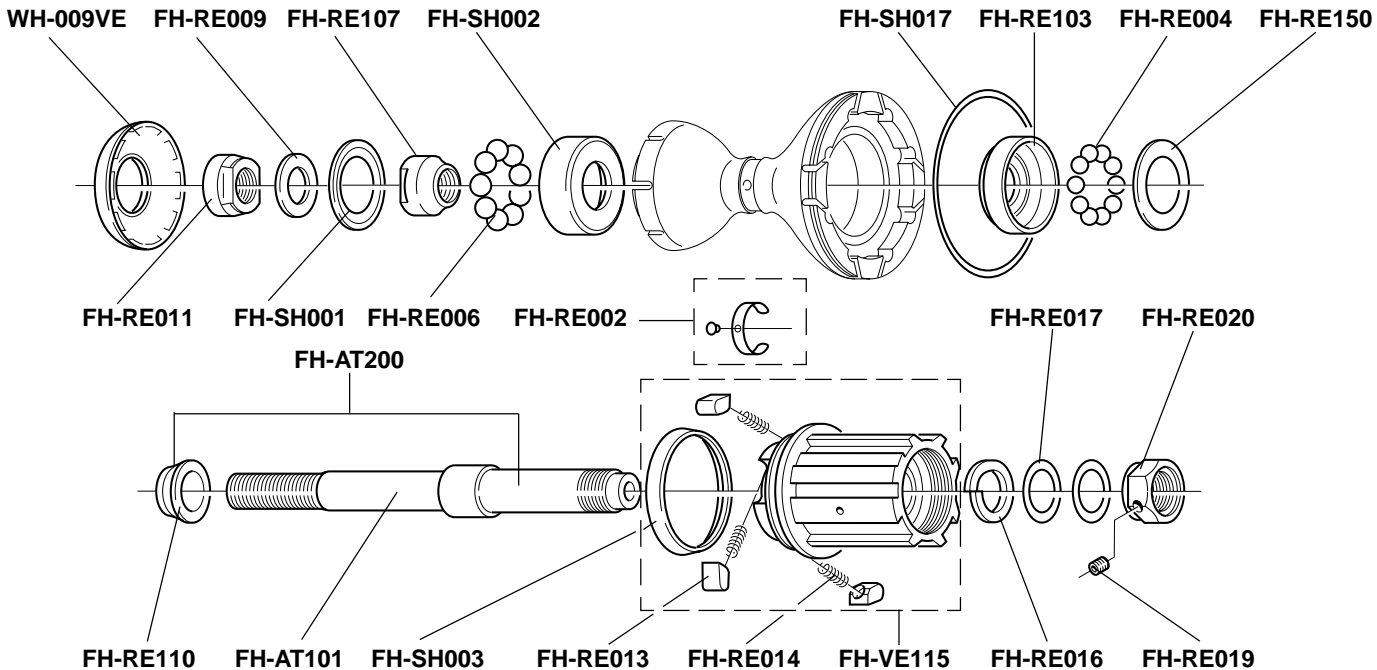
**WH-122VE**



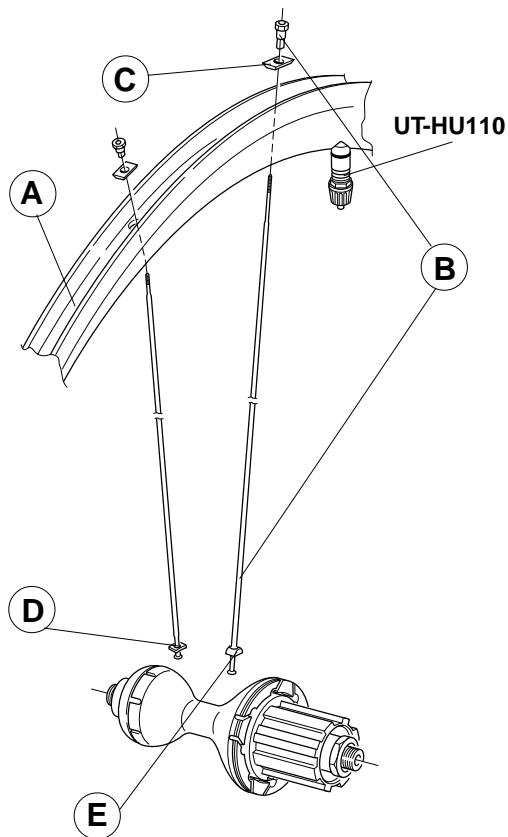
# VENTO 9 SPEED



WH-123VE



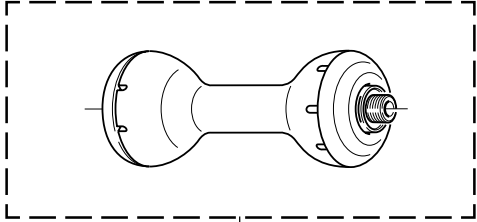
# ZONDA 9 SPEED



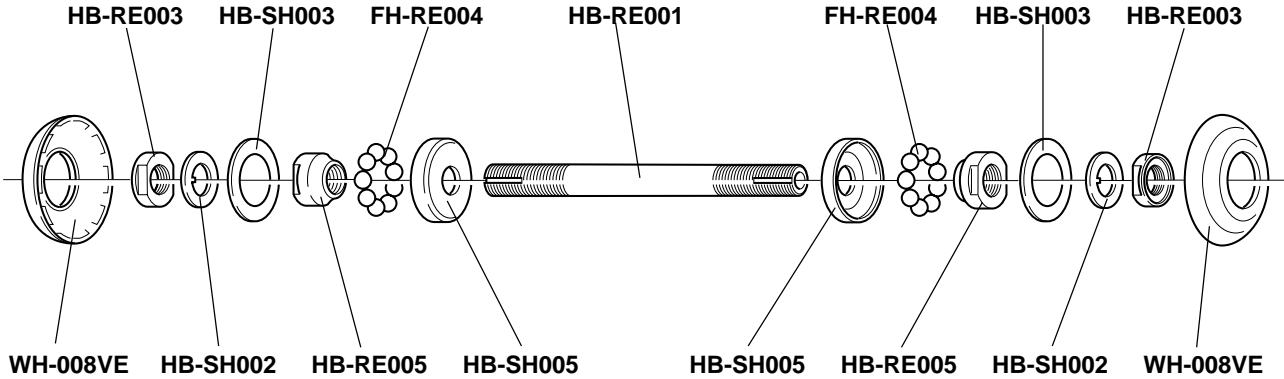
	COMPLETE WHEELS	A	KIT (B + C + D)	KIT (B + C + D + E)
FRONT	R-ZO307 clincher 28"	WH-201ZO	KIT-91ZO	
REAR	R-ZO407 clincher 28"	WH-201ZO		KIT-92ZO

	COMPLETE WHEELS	B	B right	B left
FRONT	R-ZO307 clincher 28"	L. 285 mm		
REAR	R-ZO407 clincher 28"		L. 285 mm	L. 281 mm

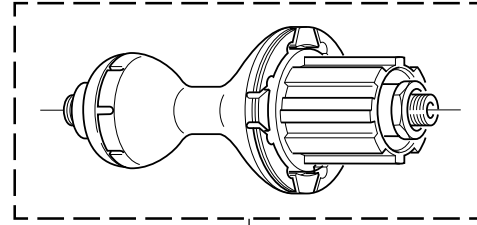
ZONDA



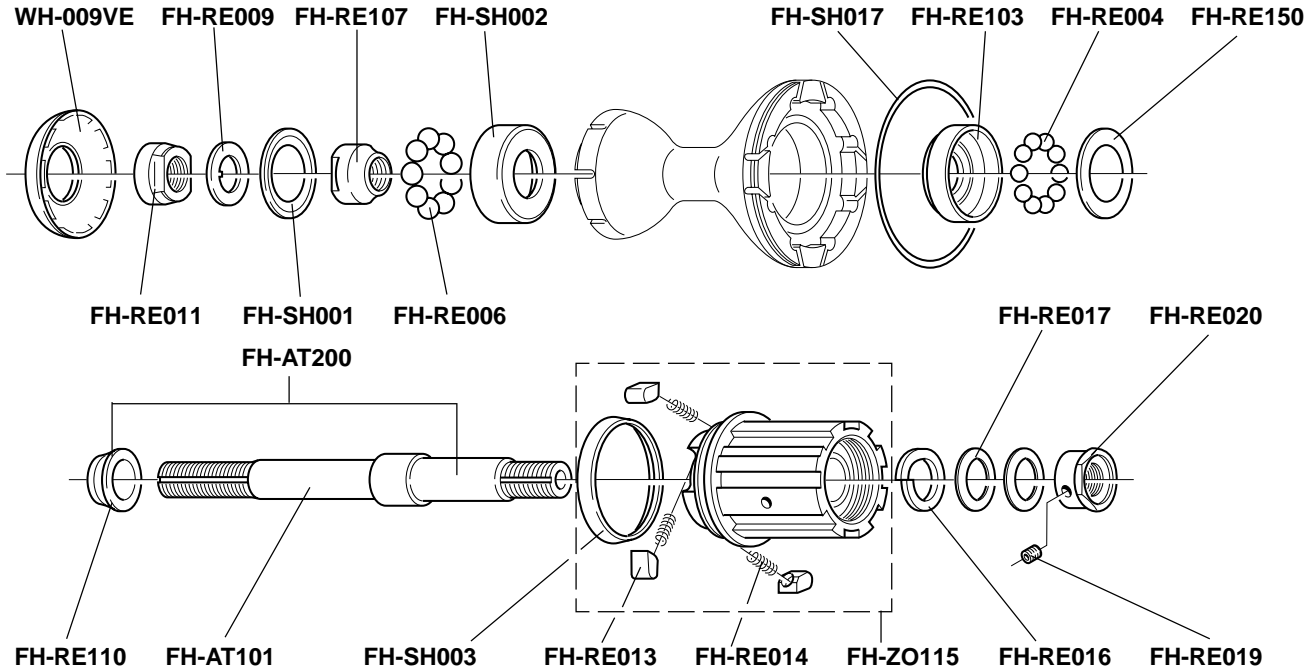
WH-202ZO



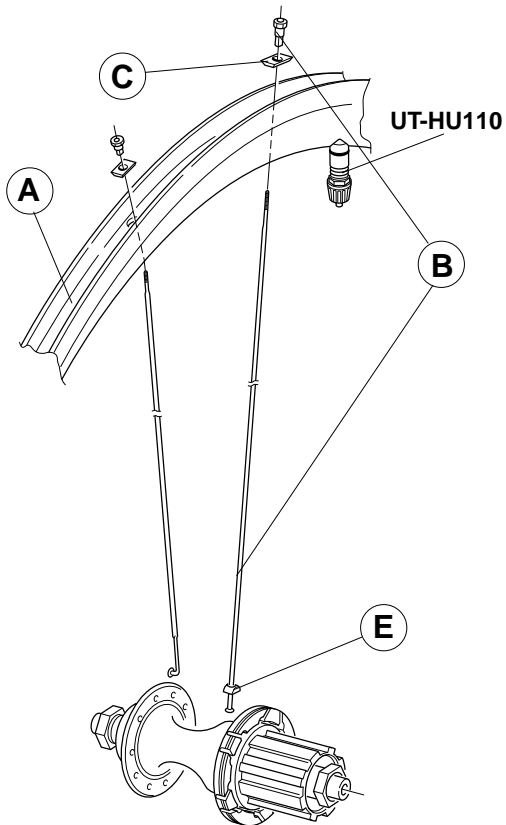
# ZONDA 9 SPEED



WH-203ZO



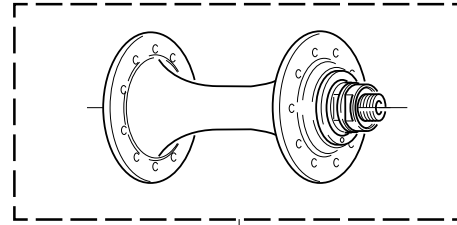
# SCIROCCO



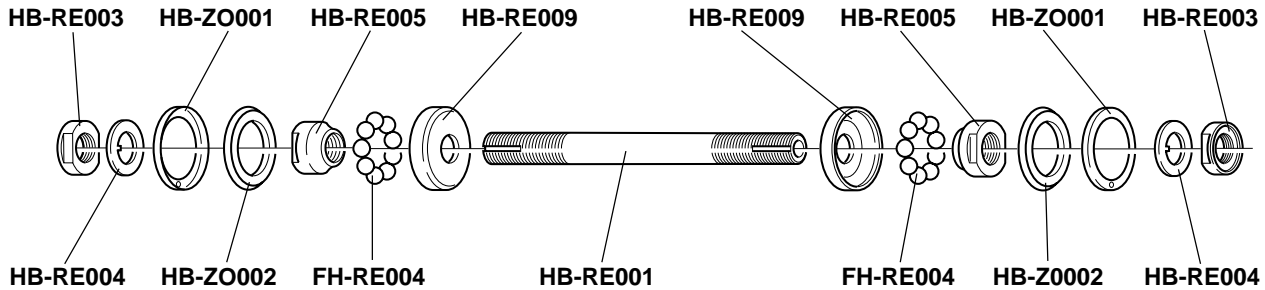
	COMPLETE WHEELS	A	KIT (B + C + D)	KIT (B + C + D + E)
FRONT	<b>R-SC309</b> clincher 28"	WH-001SC	KIT-81SC	
REAR	<b>R-SC409</b> clincher 28" 9V	WH-001SC		KIT-83SC
	<b>R-SC410</b> clincher 28" 8V			

	COMPLETE WHEELS	B	B right	B left
FRONT	<b>R-SC309</b> clincher 28"	L. 271 mm		
REAR	<b>R-SC409</b> clincher 28" 9V		L. 272 mm	L. 269 mm
	<b>R-SC410</b> clincher 28" 8V			

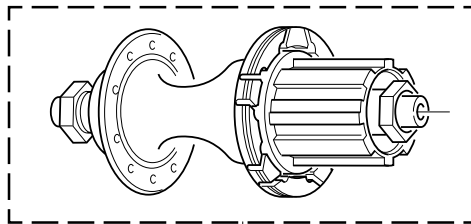
**SCIROCCO**



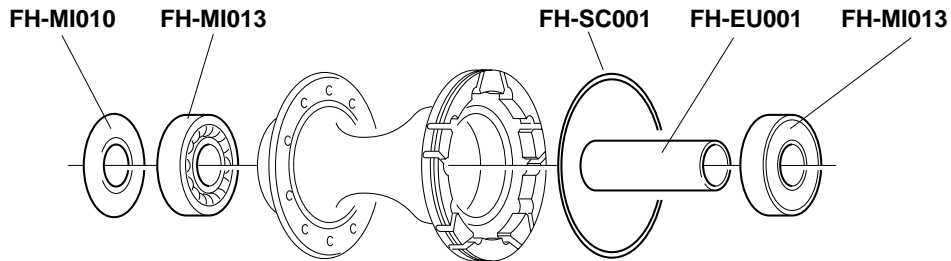
**WH-102SC**



**SCIROCCO  
9 SPEED**

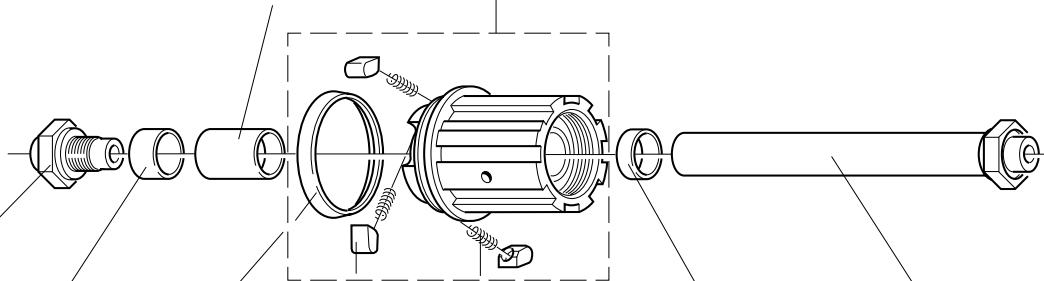


**WH-006SC**



**FH-MI004**

**FH-SC015**



**FH-EU002**

**FH-MI016**

**FH-RE012**

**FH-RE013**

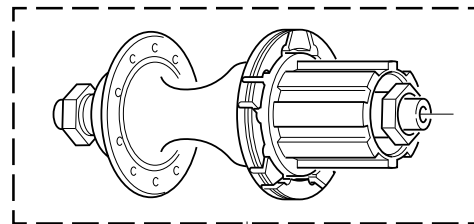
**FH-RE014**

**FH-MI003**

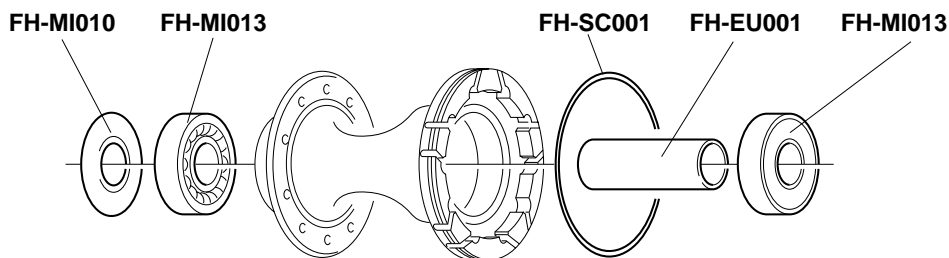
**FH-MI001**



**SCIROCCO**  
**8 Speed**

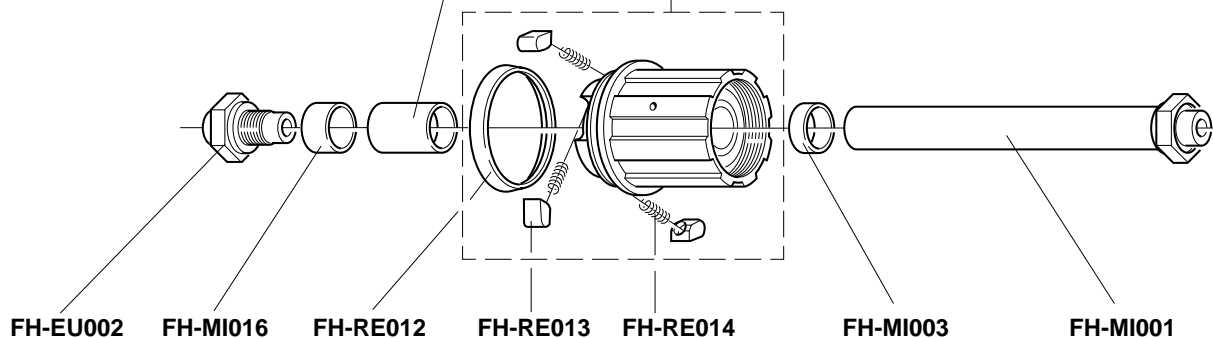


**WH-103SC**

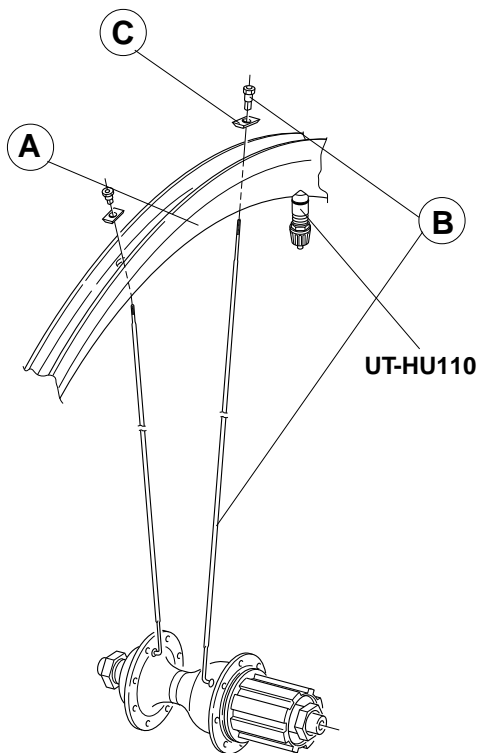


**FH-MI004**

**FH-SC025**



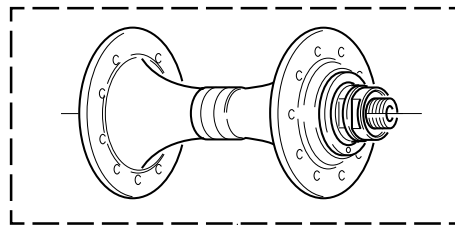
## EURUS 8 Speed



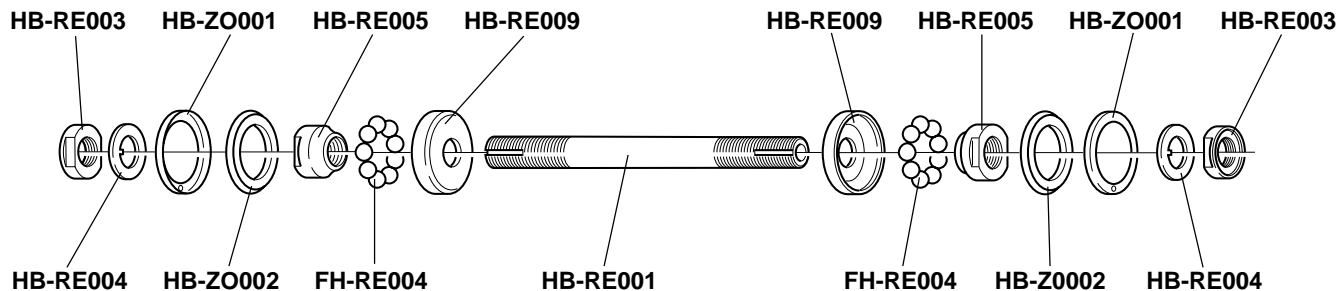
	COMPLETE WHEEL	A	KIT (B + C)
FRONT	<b>R-EU300</b> clincher 28"	WH-001EU	KIT-81EU
REAR	<b>R-EU400</b> clincher 28"	WH-001EU	KIT-82EU

	COMPLETE WHEEL	B	B right	B left
FRONT	<b>R-EU300</b> clincher 28"	L. 274 mm		
REAR	<b>R-EU400</b> clincher 28"		L. 272 mm	L. 274 mm

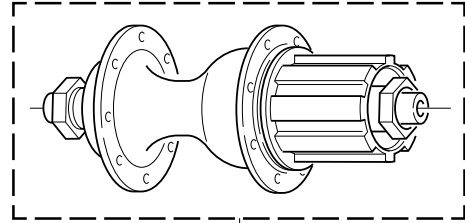
**EURUS**



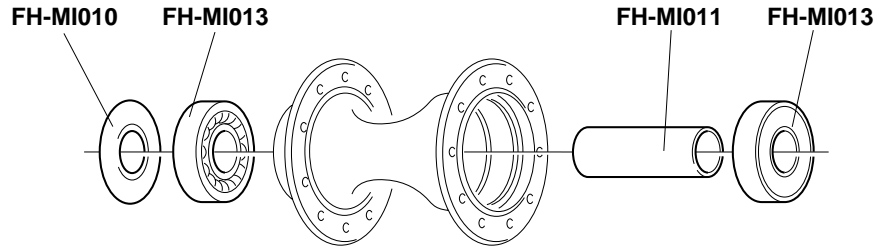
**WH-102EU**



**EURUS**  
8 Speed

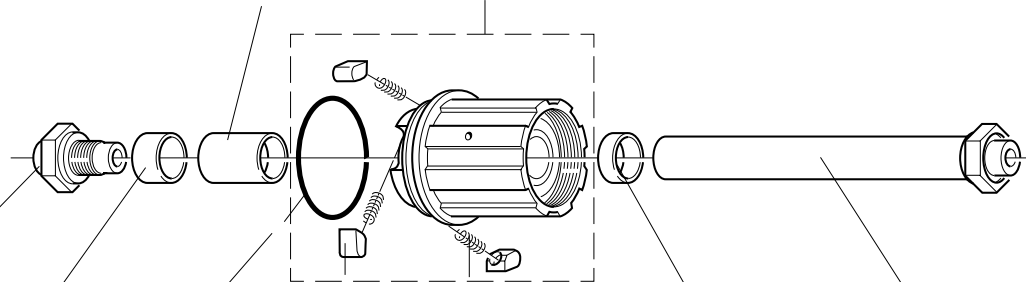


**WH-103EU**



**FH-MI004**

**FH-EU015**



**FH-MI002**

**FH-MI016**

**FH-RE012**

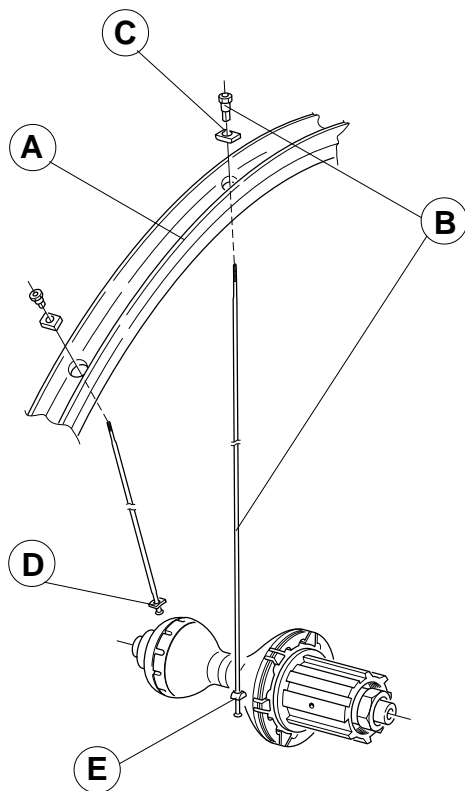
**FH-RE013**

**FH-RE014**

**FH-MI003**

**FH-MI001**

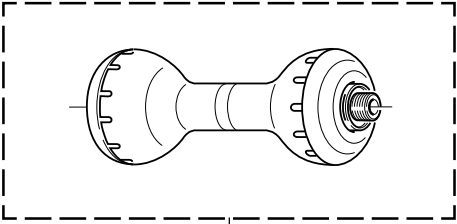
## ELECTRON 9 SPEED



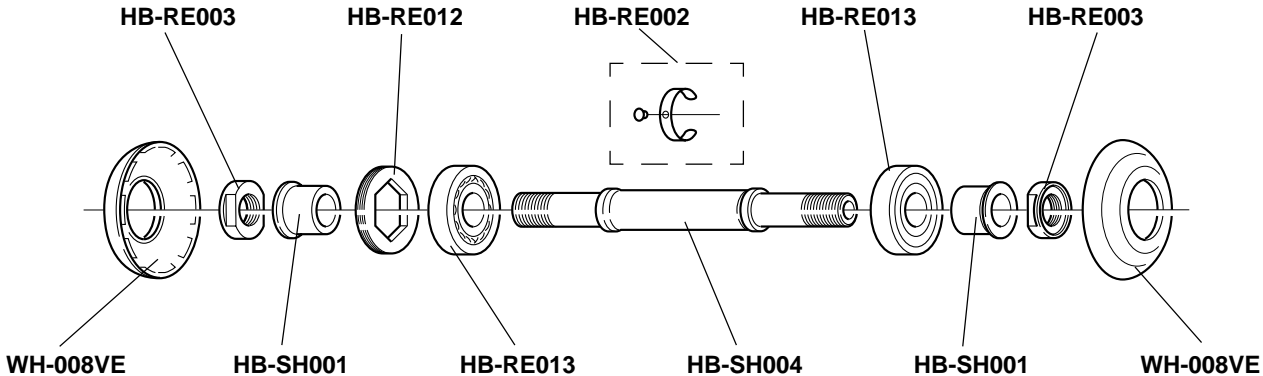
	COMPLETE WHEELS	A	KIT (B + C + D)	KIT (B + C + D + E)
FRONT	<b>R-EL101</b> tubular 28"	WH-001EL	KIT-91EL	
	<b>R-EL301</b> clincher 28"	WH-002EL	KIT-92EL	
REAR	<b>R-EL201</b> tubular 28"	WH-001EL		KIT-93EL
	<b>R-EL401</b> clincher 28"	WH-002EL		KIT-94EL

	COMPLETE WHEELS	B	B right	B left
FRONT	<b>R-EL101</b> tubular 28"	L. 297 mm		
	<b>R-EL301</b> clincher 28"	L. 295 mm		
REAR	<b>R-EL201</b> tubular 28"		L. 297 mm	L. 289 mm
	<b>R-EL401</b> clincher 28"		L. 295 mm	L. 288 mm

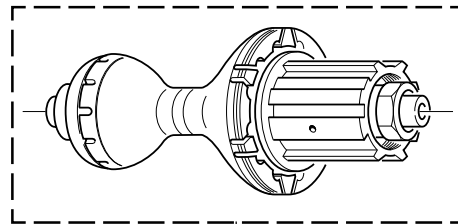
**ELECTRON**



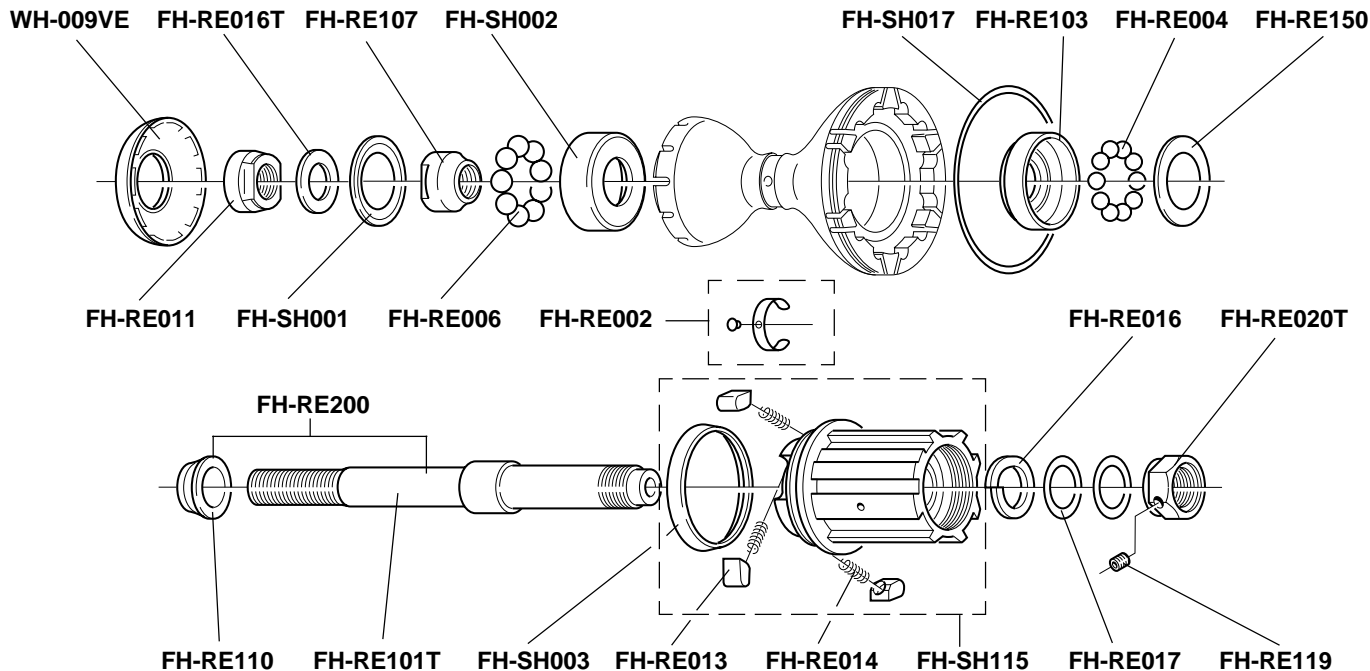
**WH-003EL**



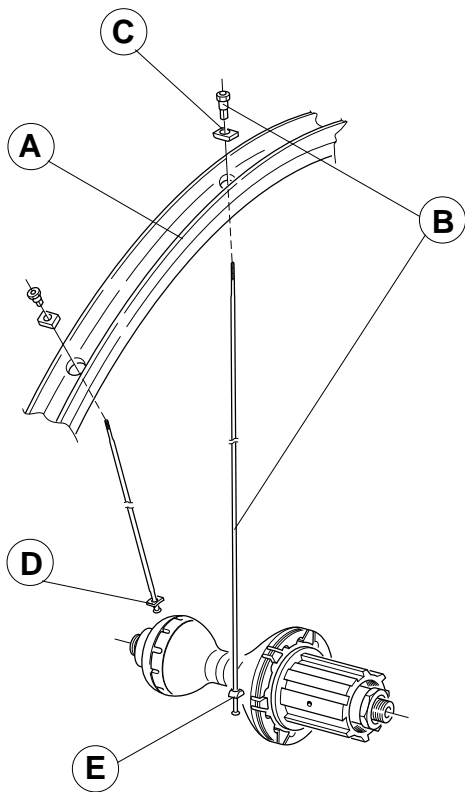
**ELECTRON  
9 SPEED**



WH-004EL



# PROTON 9 SPEED

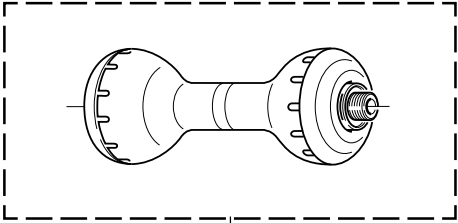


	COMPLETE WHEELS	A	KIT (B + C + D)	KIT (B + C + D + E)
FRONT	<b>R-PR301</b> clincher 28"	WH-001PR	KIT-92EL	
REAR	<b>R-PR401</b> clincher 28"	WH-001PR		KIT-94EL

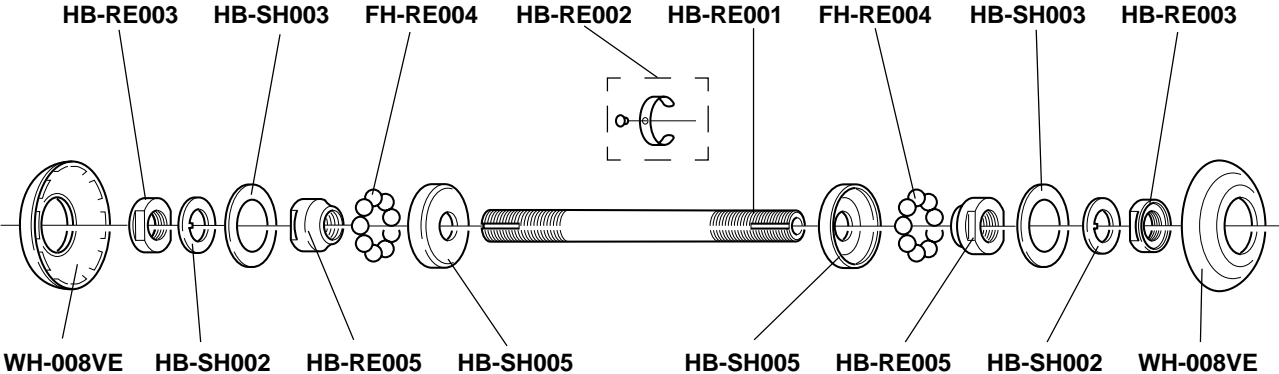
	COMPLETE WHEELS	B	B right	B left
FRONT	<b>R-PR301</b> clincher 28"	L. 295 mm		
REAR	<b>R-PR401</b> clincher 28"		L. 295 mm	L. 288 mm



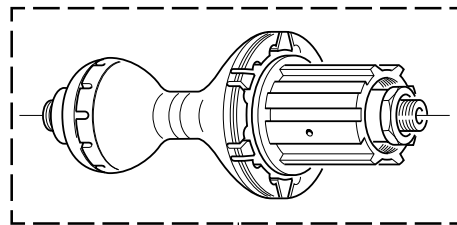
# PROTON



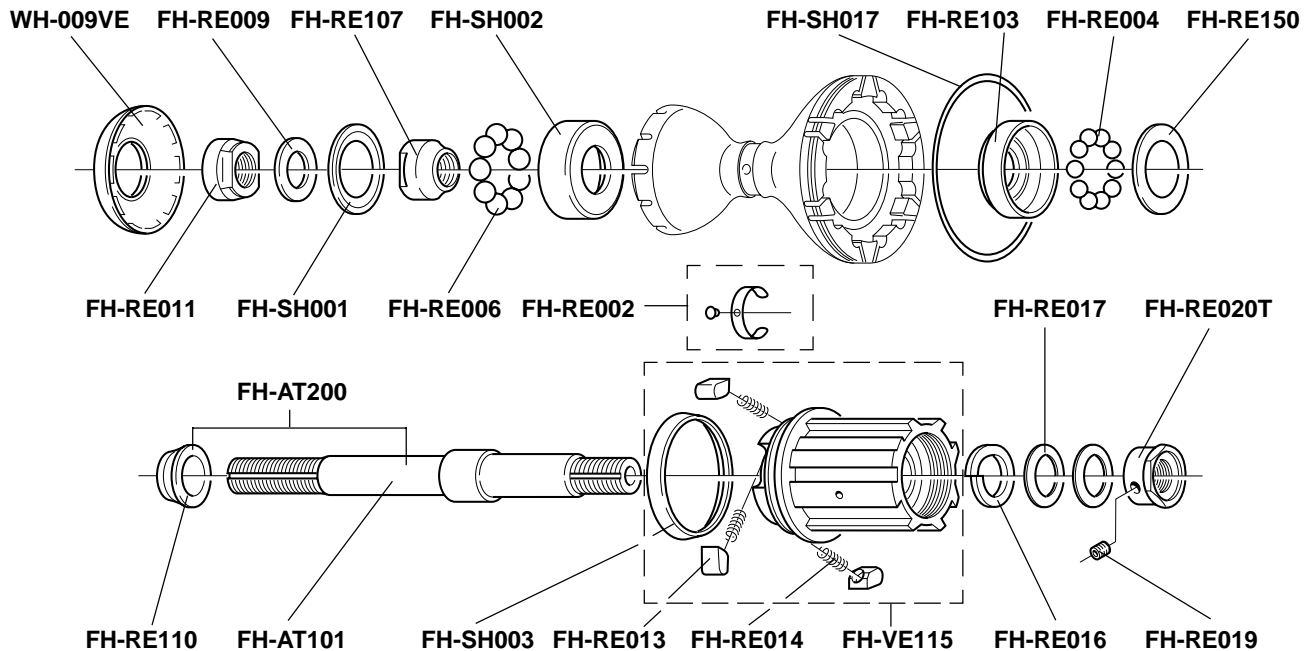
WH-003PR



**PROTON  
9 SPEED**



**WH-004PR**



	ENGLISH	ITALIANO	FRANÇAIS	DEUTSCH
<b>R</b>	RIGHT	DESTRO	DROIT	RECHTS
<b>L</b>	LEFT	SINISTRO	GAUCHE	LINKS
<b>F</b>	FRONT	ANTERIORE	AVANT	VORDERRAD
<b>R</b>	REAR	POSTERIORE	ARRIERE	HINTERRAD
<b>IT</b>	ITALIAN	ITALIANO	ITALIEN	ITALIENISCH
<b>BC</b>	ENGLISH	INGLESE	ANGLAIS	ENGLISCH
<b>TUBULAR</b>	TUBULAR	TUBOLARE	BOYAU	SCHLAUCHREIF
<b>CLINCHER</b>	CLINCHER	COPERTONCINO	PNEU ETROIT	DRAHTREIF

# NOTES

---

---

---

---

---

---

---

---

---

---

---

---

---

---

---

---

---

---

---

---

---

---

---

---

---

---