

V-BRAKE REBUILD KIT

Before use, read these instructions carefully, and follow them for correct use.

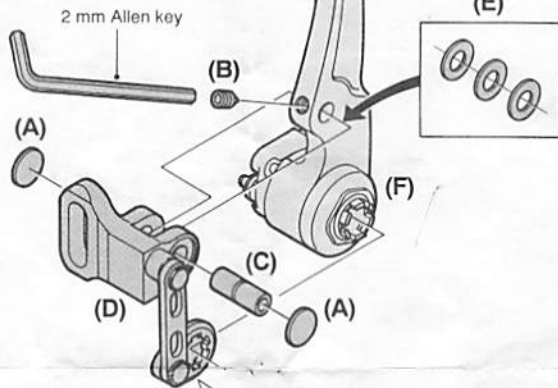
Contents of kit:

- Axle cap (A) × 4
- Axle fixing bolt (B) × 2
- Shoe fixing link unit (D) × 1 pair
- SUS adjusting shim (E) × 4
(t=0.05 mm × 2 / 0.1 mm × 2 /
0.2 mm × 2 / 0.3 mm × 2)

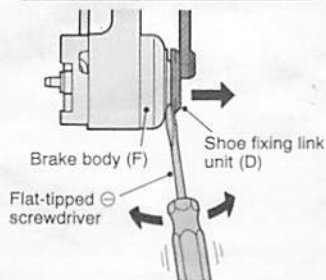
DIRECTIONS:

1. First, remove the axle caps (A) at both ends of the shoe fixing link unit (D). Then loosen the axle fixing bolt (B) and take out the axle (C).
2. Insert a flat-tipped \ominus screwdriver in between the shoe fixing link unit (D) and the brake body (F) and twist it to remove the shoe fixing link unit (D). Then replace it with the new shoe fixing link unit (D).
3. Apply grease to the SUS adjusting shims (E), and then insert the SUS adjusting shims (E) between the brake body (F) and the shoe fixing link unit (D). Insert as many SUS adjusting shims (E) as possible while still allowing the shoe fixing link unit (D) to move smoothly.
4. Apply grease to the axle (C), and then install it and secure it with the new axle fixing bolt (B). Screw the axle fixing bolt (B) in securely so that the end goes into the groove in the axle (C). **If the axle fixing bolt (B) is not screwed in tightly enough, there is the danger that the axle (C) may come out.**
5. Check that the axle (C) is not protruding from the surfaces where the new axle caps (A) will be attached to the shoe fixing link unit (D), and that the attachment surfaces are not contaminated with grease or other lubricants. Then attach the new axle caps (A) to both ends of the shoe fixing link unit (D).
6. Align the serrations on the shoe fixing link unit (D) with the serrations on the brake body (F), and then gently push in the shoe fixing link unit (D). After this, securing the brake body (F) to the frame will ensure that the serrated sections are pushed together fully.

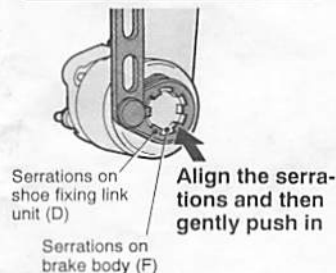
Tightening torque:
2 Nm {17 in. lbs.} or more



Removal



Installation



Please note: Specifications are subject to change for improvement without notice. (English)

SHIMANO®

SHIMANO AMERICAN CORPORATION
One Shimano Drive, P.O. Box 19615, Irvine, California U.S.A. 92623-9615 Phone 714-961-5003
SHIMANO EUROPA
Industrieweg 24 NL-8071 CT Nunspeet, Holland Phone 31-3412-72222

SHIMANO INC.
3-77 Oimatsucho, Sakai, Osaka, Japan Phone 0722-23-3243

These service instructions are printed on recycled paper and can be recycled again.

© Feb. 1997 by Shimano Inc. PIT. SZK. Printed in Japan