

2000

~ 96

titanium

# PERFOR ANCE

Prima  
lite

TIG

OVER SIZED  
chromo

chromo

titanium

OVER



Clean cable routing

M-Trax puts real meaning into the word performance. That's no empty promise or abuse of the term but the absolute base of our design philosophy.

Design that demands precise technology to fabricate frames from the lightest custom sourced metals whose lightness, stiffness and responsive characteristics are not compromised but enhanced by our precise cutting and welding technologies.

Components too, need to measure up - if they fail to perform or meet a specific need, they don't find their way onto an M-Trax machine.

That's just part of the 1996 range evolution. Development born from gruelling trials on the world's toughest courses. Tested in the worst mud and on the steepest terrain. A design concept with a racing pedigree of imposing victories in the Mountain Bike Tour of Spain and the 1995 UK National Championships by Barrie Clarke and our Team Raleigh riders.

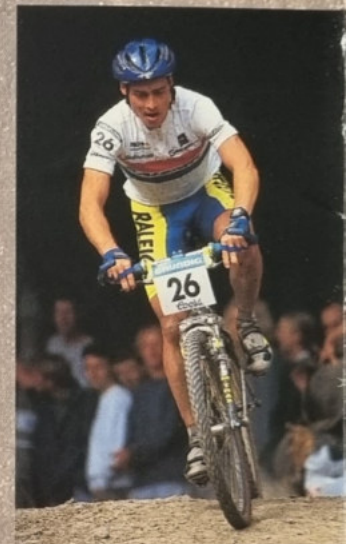
The result - a newly refined three level range of performance mountain bikes. Light in weight and built with a technology that makes no compromise in delivering out and out endurance. Even in the most punishing conditions.

### M-TRAX

Entering at a specification level far above similar priced competitor options, the M-Trax 1000, 1000s suspension and 2000 are built around an exclusive lightweight, semi-oversize 7 tube Cromo frame. TIG welded for ultimate stiffness and responsive handling, these models add a new dimension to value and performance. Shimano Interglide transmission, titanium bars, ultra light alloy bar extensions and light performance wheels with stainless spokes are all fitted as standard. With options extending to Shimano Alivio and STX transmissions, Gripshift or Rapid Fire Shifting with Rockshox Quadra 5 Elastomer suspension on the 1000s.



Rock shox Quadra 5 - Simply the best fork in its class



Maxxis direction specific tyres



Prima  
littera

OVERSIZED CROMO

3000TL

'S' bend chainstays



i t a n i

**M-TRAX LITE**

Ascending to M-Trax lite, prepare to meet new levels of performance.

Custom-drawn and butted Reynolds Optima-lite tubing has been autoplasm arc-welded. Creating a suspension ready performance MTB frame with a strength to weight ratio capable of taking the competition apart at the seams. Unlike others the M-Trax winning equation is not lightness at any cost, but weight reduction with the endurance to continually transfer power into long term winning performance.

Pound for pound, we reckon this is probably the best light performance cromoly frame set in the world.

Shimano Alivio, STX and Deore LX IG transmissions are fitted across the four M-Trax Lite model options, with Titanium bars, light forged alloy stems and MAVIC based wheel packages all adding to the Lite's value and weight advantage.

**M-TRAX TITANIUM**

Driving to the very peak of performance - the ultimate M-Trax range option - M-Trax Titanium. IMI strength enhanced titanium has been plasma arc-welded to preserve the outstanding characteristics of this custom-drawn metal. At 3.5lbs the frame at the heart of the 3000TL delivers a level of handling and feel that, once experienced will never be beaten. Carrying a Deore LX Groupset and Spinner triple butted cromol performance fork, the 3000TL is race-proven and ready to take the most experienced riders to the limit.

3000TL



Precise Optima-lite joint technology

Gripshift performance shifting



M-Trax performance bar set



3000TL



OVER SIZED cromo

1000S

## M-Trax

A go anywhere - do anything range built to handle every conceivable terrain. Thanks to a winning combination of lightness and strength. Resulting from no nonsense specifications built around a purpose designed 7-tube cromoly frame set with suspension -ready geometry and 'S' bend chainstays to aid mud clearance. Light in weight, these bikes are built for performance, value and lots of off-road use.

## Spec Features

- M-Trax series one MTB race frame
  - Exclusive 7 tube cr-mo performance MTB race design - light and giving superb frame rigidity
  - 'S' bend performance chainstays - stiffness and maximum mud clearance
- Rockshox Quadra 5 elastomer racing suspension fork - simply the best fork in its class
- Shimano Alivio transmission - entry level race rider performance
- SRT 300i Gripshift system - rapid and responsive shifting
- "M-Trax Performance" custom designed bar set
  - Lightweight Titanium bar
  - Forged one piece alloy bar ends
  - Light forged alloy two-bolt racing stem

## Full Spec

**Frame** M-Trax Series one 7 tube cr-mo **Fork** Rock Shox quadra 5 suspension unit **Headset** Dia-Compe d1atech threadless **BB Set** Shimano BBLP26 **Crankset** Shimano Alivio 42/34/24T **Freewheel** Shimano IG 50 11-28T 7 speed **Front Derailleur** Shimano Alivio top pull **Rear Derailleur** Shimano Alivio **Brakes** Shimano Acera-X **Brake Levers** Tektro N361A 2 finger **Shifters** Gripshift 300i **Bar** M-Trax performance titanium 3 deg **Stem** M-Trax performance alloy 2 bolt **Bar Ends** M-Trax performance alloy 1 piece **Hubs** Shimano Acera-X 36H quick release **Rims** Alesa challenger 36H alloy **Spokes** Stainless steel **Front Tyre** Maxxis C1160 direction specific **Rear Tyre** Maxxis C1166 direction specific **Seat Pin** M-Trax performance alloy **Saddle** Selle bassano vuelta simpelle **Colour** Mirror Red **Sizes** 16.5", 18", 20", 22"



## Spec Features

- Shimano STX transmission controlled from Rapid Fire SL shifters
- M-Trax series one MTB race frame - Exclusive 7 tube cr-mo performance MTB race design - light and giving superb frame rigidity
- Suspension ready geometry essential for upgrades
- 'S' bend performance chainstays - stiffness and maximum mud clearance
- Light wheel specification with Maxxis Direction Specific race tyres, Alesa rims and stainless spokes
- "M-Trax Performance" custom designed bar set
  - Lightweight Titanium bar
  - Forged one piece alloy bar ends
  - Light forged alloy two-bolt racing stem



## Full Spec

**Frame** M-Trax Series one 7 tube Cr-mo **Fork** Semi-taper cro-mo unicrown **Headset** Dia-Compe diatech threadless **BB Set** Shimano BBLP26 **Crankset** Shimano STX 42/32/22T **Freewheel** Shimano IG 50 11-28T 7 speed **Front Derailleur** Shimano STX top pull **Rear Derailleur** Shimano STX **Brakes** Shimano Acera-X **Brake Levers** Shimano STX **Shifters** Shimano STX rapid fire SL **Bar** M-Trax performance titanium 3 deg **Stem** M-Trax performance alloy 2 bolt **Bar Ends** M-Trax performance alloy 1 piece **Hubs** Shimano Acera-X 36H quick release **Rims** Alesa challenger 36H alloy **Spokes** Stainless steel **Front Tyre** Maxxis C1160 direction specific **Rear Tyre** Maxxis C1166 direction specific **Seat Pin** M-Trax performance alloy **Saddle** Selle bassano vuelta simpelle **Colour** Mirror Indigo **Sizes** 16.5", 18", 20", 22"

# 1000

## Full Spec

**Frame** M-Trax Series one 7 tube Cr-mo **Fork** Semi-taper cro-mo unicrown **Headset** Dia-Compe diatech threadless **BB Set** Shimano BBLP26 **Crankset** Shimano Alivio 42/34/24T **Freewheel** Shimano IG 50 11-28T 7 speed **Front Derailleur** Shimano Alivio top pull **Rear Derailleur** Shimano Alivio **Brakes** Shimano Acera-X **Brake Levers** Tektro N361A 2 finger **Shifters** Gripshift 300i **Bar** M-Trax performance titanium 3 deg **Stem** M-Trax performance alloy 2 bolt **Bar Ends** M-Trax performance alloy 1 piece **Hubs** Shimano Acera-X 36H quick release **Rims** Alesa challenger 36H alloy **Spokes** Stainless steel **Front Tyre** Maxxis C1160 direction specific **Rear Tyre** Maxxis C1166 direction specific **Seat Pin** M-Trax performance alloy **Saddle** Selle bassano vuelta simpelle **Colour** Mirror Red or Mirror Green **Sizes** 16.5", 18", 20", 22"



## Spec Features

- "M-Trax Performance" custom designed bar set
  - Lightweight Titanium bar
  - Forged one piece alloy bar ends
  - Light forged alloy two-bolt racing stem
- M-Trax series one MTB race frame - Exclusive 7 tube cr-mo performance MTB race design - light and giving superb frame rigidity
- Suspension ready geometry essential for upgrades
- 'S' bend performance chainstays - stiffness and maximum mud clearance
- Light wheel specification with Maxxis Direction Specific race tyres, Alesa rims and stainless spokes
- SRT 300i Gripshift system - rapid and responsive shifting
- Shimano Alivio transmission - entry level race rider performance

# Optima M-Trax Lite

A range for serious riding that

incorporates no compromise

design. The OPTIMA-Lite

frame is years ahead of the

market. Based on the same

design as the M-Trax Titanium

frame, the OPTIMA oversize

tuberset is custom-drawn and

butted. Producing a frame

that's still light, yet incredibly

strong and fatigue resistant.

Weighing in at an impressive

4.6lbs and using our auto

plasma-arc welding technique

to ensure perfect joints. Expect

stiffness and responsive

handling from this frameset on

the roughest of any terrain.

# 1000L



## Spec Features

- M-Trax series two MTB race frame
  - Exclusive Reynolds Optima-lite custom butted Cromoly frameset - very light, very stiff and very fatigue resistant
  - Suspension ready geometry - essential for upgrades
- Spinner triple butted Cromo fork - stiff and responsive control.
- "M-Trax Performance" custom designed bar set
  - Lightweight Titanium bar
  - Forged one-piece alloy bar ends
  - Light forged alloy two-bolt racing stem
- Performance Wheel Specification with Mavic 238N race rims, stainless spokes and Maxxis Direction Specific tyres
- Shimano Alivio transmission - proven performance

## Full Spec

**Frame** Reynolds Optima custom butted cr-mo **Fork** Spinner triple butted cr-mo **Headset** Dia-Compe dia-tech threadless **BB Set** Shimano BBLP26 **Crankset** Shimano Alivio 42/34/24T **Freewheel** Shimano IG 50 11-28T 7 speed **Front Derailleur** Shimano Alivio top pull **Rear Derailleur** Shimano Alivio **Brakes** Shimano Acera-X **Brake Levers** Tektro RBP370A 2 finger **Shifters** Gripshift 300i **Bar** M-Trax performance titanium 3 deg **Stem** M-Trax performance alloy 2 bolt **Bar Ends** M-Trax performance alloy 1 piece **Hubs** Shimano Alivio 32H quick release **Rims** Mavic 238N silver anodised alloy **Spokes** Stainless steel **Front Tyre** Maxxis C1160 direction specific **Rear Tyre** Maxxis C1166 direction specific **Seat Pin** M-Trax performance alloy **Saddle** Selle Italia ever-soft simpelle **Colour** Granite Cromica **Size:** 16", 18", 20", 22"



## Spec Features

- Shimano STX transmission controlled from Rapid Fire SL shifters
- M-Trax series two MTB race frame
  - Exclusive Reynolds Optima-lite custom butted Cromoly frameset - very light, very stiff and very fatigue resistant
  - Suspension ready geometry - essential for upgrades
- Performance Wheel Specification with Mavic 238N race rims, stainless spokes and Maxxis Direction Specific tyres
- Spinner Triple butted Cromo fork - stiff and responsive control
- "M-Trax Performance" custom designed bar set
  - Lightweight Titanium bar
  - Forged one-piece alloy bar ends
  - Light forged alloy two-bolt racing stem

## Full Spec

**Frame** Reynolds Optima custom butted cr-mo **Fork** Spinner triple butted cr-mo **Headset** Dia-Compe diatech threadless **BB Set** Shimano BBLP26 **Crankset** Shimano STX 42/34/24T **Freewheel** Shimano IG 50 11-28T 7 speed **Front Derailleur** Shimano STX top pull **Rear Derailleur** Shimano STX **Brakes** Shimano Acera-X **Brake Levers** Shimano STX **Shifters** Shimano STX rapid-fire SL **Bar** M-Trax performance titanium 3 deg **Stem** M-Trax performance alloy 2 bolt **Bar Ends** M-Trax performance alloy 1 piece **Hubs** Shimano Alivio 32H quick release **Rims** Mavic 238N silver anodised alloy **Spokes** Stainless steel **Front Tyre** Maxxis C1160 direction specific **Rear Tyre** Maxxis C1166 direction specific **Seat Pin** M-Trax performance alloy **Saddle** Selle Italia ever-soft simpelle **Colour** Copper Cromica **Sizes** 16", 18", 20", 22"



## Rockshox Quadra 5

Simply the best fork in its class. The undisputed market leader in performance suspension forks now offers Quadra 5, a lightweight elastomer suspension unit, designed to give low-maintenance, high quality suspension performance. This fork features external preload adjuster Knobs with magnesium legs and alloy brace to keep the weight to a very credible 3.2lbs and gives up to 46mm of suspension travel.

## Spec Features

- Rockshox Quadra 5 Elastomer racing suspension fork - simply the best fork in its class
- M-Trax series two MTB race frame
  - Exclusive Reynolds Optima-lite custom butted Cromoly frameset - very light, very stiff and very fatigue resistant
- Shimano Alivio transmission - proven performance
- SRT 300i Gripshift System - rapid and responsive rotational shifting
- "M-Trax Performance" custom designed bar set
  - Lightweight Titanium bar
  - Forged one-piece alloy bar ends
  - Light forged alloy two-bolt racing stem



## Full Spec

**Frame** Reynolds Optima custom butted cr-mo **Fork** Rock Shox quadra 5 suspension unit **Headset** Dia-Compe diatech threadless **BB Set** Shimano BBLP26 **Crankset** Shimano Alivio 42/34/24T **Freewheel** Shimano IG 50 11-28T 7 speed **Front Derailleur** Shimano Alivio top pull **Rear Derailleur** Shimano Alivio **Brakes** Shimano Acera-X **Brake Levers** Tektro RBP370A **Shifters** Gripshift 300i **Bar** M-Trax performance titanium 3 deg **Stem** M-Trax performance alloy 2 bolt **Bar Ends** M-Trax performance alloy 1 piece **Hubs** Shimano Alivio 32H quick release **Rims** Mavic 238N silver anodised alloy **Spokes** Stainless steel **Front Tyre** Maxxis C1160 direction specific **Rear Tyre** Maxxis C1166 direction specific **Seat Pin** M-Trax performance alloy **Saddle** Selle Italia ever-soft simpelle **Colour** Granite Cromica **Sizes** 16", 18", 20", 22"

# 3000 L

## Spec Features

- Shimano Deore LX 24 speed transmission controlled from Gripshift SRT 600i race shifters
- M-Trax series two MTB race frame
  - Exclusive Reynolds Optima-lite custom butted Cromoly frameset - very light, very stiff and very fatigue resistant
  - Suspension ready geometry - essential for upgrades
- "M-Trax Performance" custom designed bar set
  - Lightweight Titanium bar
  - Forged one-piece alloy bar ends
  - Light forged alloy two-bolt racing stem
- Spinner Triple butted Cromo fork - stiff and responsive
- Performance Wheel Specification with Mavic 238N race rims, stainless spokes and Maxxis Direction Specific tyres



## Full Spec

**Frame** Reynolds Optima custom butted cr-mo  
**Fork** Spinner triple butted cr-mo **Headset**  
 Dia-Compe diatech threadless **BB Set**  
 Shimano BBLP26 **Crankset** Shimano STX  
 42/34/24T **Freewheel** Shimano HG-70-  
 I 11-28T 8 speed **Front Derailleur**  
 Shimano STX top pull **Rear**  
**Derailleur** Shimano Deore LX  
**Brakes** Tektro 871A **Brake Levers**  
 Tektro RBP370A **Shifters** Gripshift  
 600i **Bar** M-Trax performance  
 titanium 3 deg **Stem** M-Trax  
 performance alloy 2 bolt **Bar Ends**  
 M-Trax performance alloy 1 piece  
**Hubs** Shimano Deore LX 32H  
 quick release **Rims** Mavic 238N  
 silver anodised alloy **Spokes**  
 Stainless steel **Front Tyre** Maxxis  
 C1160 direction specific **Rear Tyre**  
 Maxxis C1166 direction specific  
**Seat Pin** M-Trax performance alloy  
**Saddle** Selle Italia ever-soft simpelle  
**Colour** Celeste Cromica **Sizes** 16", 18",  
 20", 22"





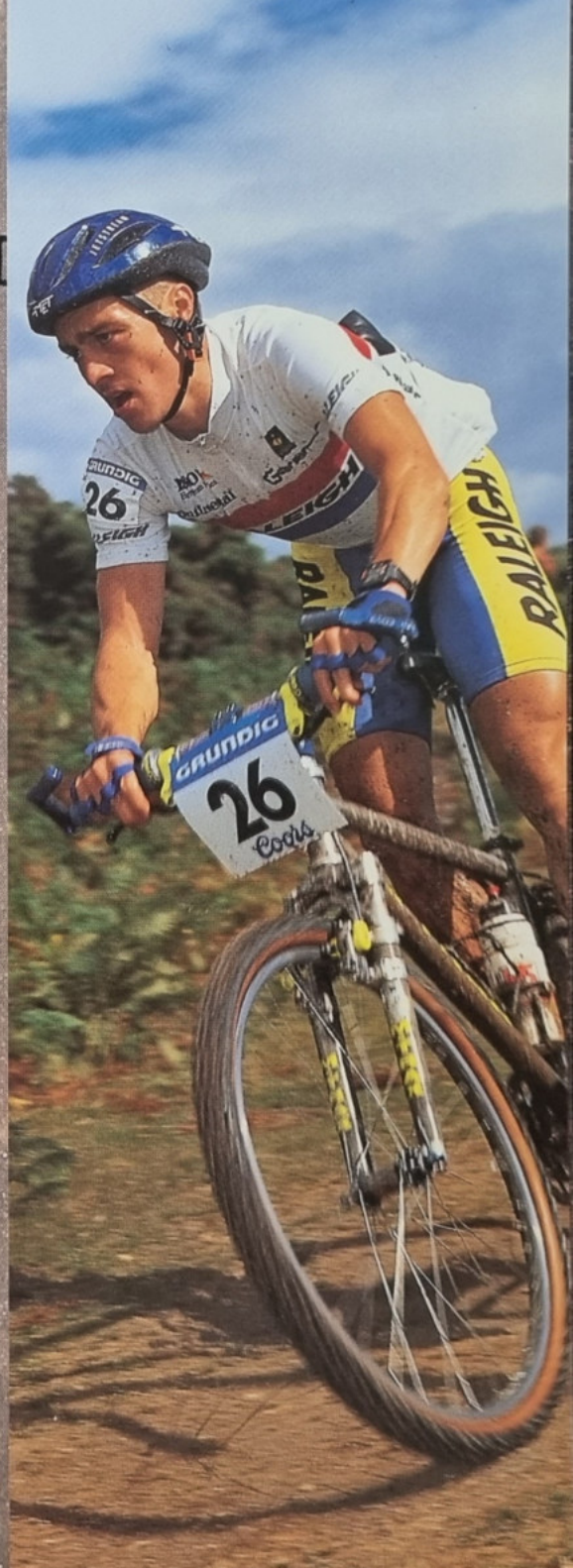


O VER SI

### M-TRAX Titanium

The heart and soul of any performance proven machine is in the frame and weighing in at 3.5lbs, M-Trax Titanium provides the ultimate in race effectiveness. Designed for and tested by our Team Riders, tubes are semi-oversized IMI strength enhanced titanium, plasma arc-welded to retain the material characteristics and to provide perfect and consistent joints.

Delivering incredible strength and fatigue resistance for a ride-lite feel unique to M-Trax Titanium. If you are searching for the best in an off the peg performance machine, there is no better choice.



O VER SIZED

t i t a n i u m

t i t a n i u m

# 3000 tL



t i t a n i u m

OVER SIZED



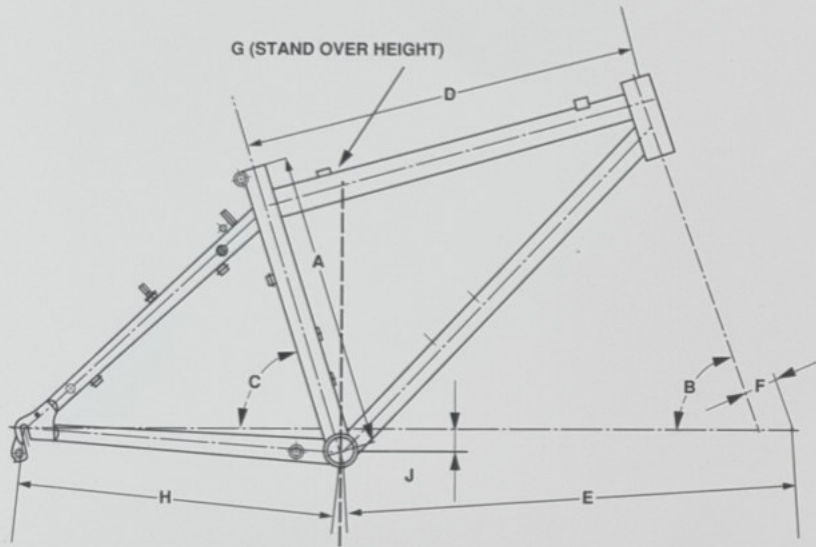
## Spec Features

- Full Shimano Deore LX 24 speed transmission controlled from Rapid Fire SL shifters
- M-Trax series three MTB race frame
  - Full Titanium Plasma arc welded race frame, our lightest, best ever
  - Suspension ready geometry - essential for upgrades
- "M-Trax Performance" custom designed bar set
  - Lightweight Titanium bar
  - Forged one-piece alloy bar ends
  - Light forged alloy two-bolt racing stem
- Spinner Triple butted Cromo fork - stiff and responsive
- Performance Wheel Specification with Mavic 238N race rims, stainless spokes and Maxxis Direction Specific tyres

## Full Spec

**Frame** Plasma-arc Titanium MTB race frame **Fork** Spinner triple butted cr-mo **Headset** Dia-Compe diatech threadless **BB Set** Shimano BBUN52 **Crankset** Shimano Deore LX 42/32/22T **Freewheel** Shimano HG-70-I 11-28T 8 speed **Front Derailleur** Shimano Deore LX top pull **Rear Derailleur** Shimano Deore LX **Brakes** Shimano Deore LX **Brake Levers** Shimano Deore LX **Shifters** Shimano Deore LX Rapid Fire SL **Bar** M-Trax performance titanium 3 deg **Stem** M-Trax performance alloy 2 bolt **Bar Ends** M-Trax performance alloy 1 piece **Hubs** Shimano Deore LX 32H quick release **Rims** Mavic 238N silver anodised alloy **Spokes** Stainless steel **Front Tyre** Maxxis C1180 direction specific **Rear Tyre** Maxxis C1186 direction specific **Seat** Pin M-Trax performance alloy **Saddle** Selle Italia ever-soft simpelle **Colour** Polished Cromica **Sizes** 16", 18", 20" 22"

# GeOMETRIES



FRAME INFORMATION RELATES TO M-TRAX 1000, 1000s, 2000,

A	B°	C°	D	E	F	G	H	J
16.5"	71°	74°	531	617	44	720	425	32
18"	71°	73°	543	620	44	752	425	32
20"	71°	73°	556	635	44	787	425	32
22"	71°	72°	575	638	44	824	425	32

As we have already stated, designing a great bike means getting the basics right. Getting the basics right means designing and building the frame right. Specifying the right frame for the right user is important, building that frame correctly is paramount.

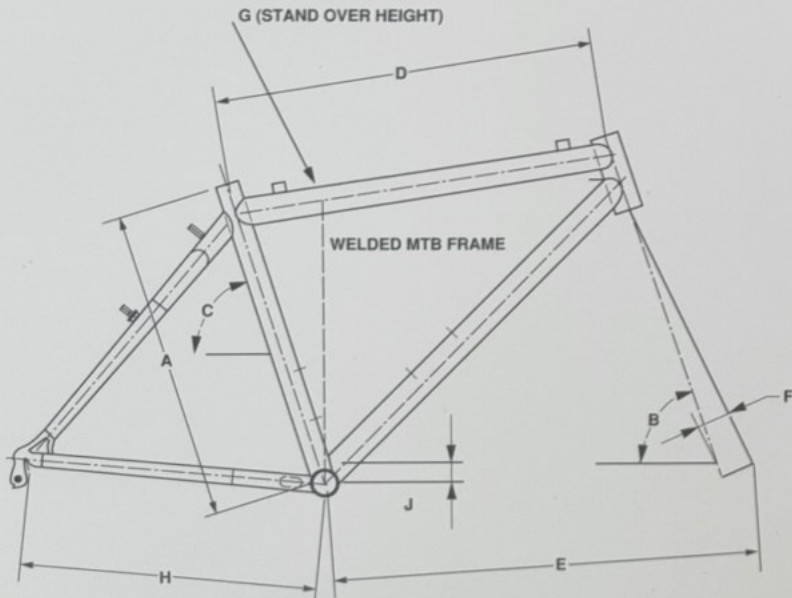
That's why we specify exclusive frames for our bikes, off the shelf designs will not do. Take our 7 tube chromo MTB race frame for example, credibly light, very stiff and offering a good sensible geometry for optimum ride positioning and designed with features to aid function like S bend chainstays for great tyre clearance and clean triple cable routing for uncluttered derailleur performance.

And why, on our Optima-lite and titanium MTB frames, we employ precision technology to make sure the frame builds perfectly. Precision cut tubing and automatic plasma-arc welding ensures perfect and consistent joints, essential for performance riding. Such accuracy helps us choose the lightest yet strongest materials. Exclusive Reynolds custom butted Optima-lite tubing is the choice on our mid to upper range of MTBs, our passion for this light and stiffest of all chromolys matched only by your lively ride-lite feel and enjoyment. Whilst our IMI Strength enhanced titanium, that lightest and most precious of frame materials, maintains all of its performance ride characteristics via this precise fabrication process.

Our approach to forks remains the same - designed specifically for the task in hand. The Spinner triple butted chromoly race fork is one of the best performance forks in the world, renowned for its responsiveness.

FRAME INFORMATION RELATES TO M-TRAX LITE 1000L, 1000Ls, 2000L, 3,000L & M-TRAX TITANIUM 3,000TL

A	B°	C°	D	E	F	G	H	J
16"	70.5°	74°	531	619	42	693	425	32
18"	71°	73°	551	625	42	734	425	32
20"	71°	73°	575	644	42	776	425	32
22"	71.5°	72°	592	650	42	826	425	32



IG Tube  
CR SIZE

2000

titanium

Prima  
lite



**The Strength of the Name**

ALL THE BICYCLES SHOWN IN THIS CATALOGUE  
ARE AVAILABLE FROM YOUR RALEIGH STOCKIST

*August Stückemann*  
*Fahrräder + Kindererstaussattung*  
*Eldenburger Str. 76*  
*26180 Rastede*  
Raleigh Industries Ltd, Nottingham NG7 2DD, England

Colours printed in this catalogue are as near as possible to the manufactured Raleigh product. For an accurate comparison, we recommend you see the actual product on display at your Raleigh stockist.

Due to our policy of continual improvement, product specification and appearance may change while this catalogue is still in use.  
Designed and produced by Cross Hill Corwill

VER SIZED  
c r o m m o

cr o m o

t i t a n i u m

OVER

IG