

# Raleigh bikes 1993





**MOUNTAIN**  
PAGE 5-11



**PIONEER AND CITY**  
PAGE 12-15



**RACE**  
PAGE 16-17



**FUN AND ACTION**  
PAGE 18-26



**PARTS AND  
ACCESSORIES**  
PAGE 28-31

Raleigh make a lot of bicycles ...

Our customers range in age from 2 to retired, in sizes from knee high to 6'5" and in fitness from "would like to be" to world class athlete.

There are 74 individual models in this catalogue and a further 20 in the range offered separately by our Special Products Division.

But you are only interested in one bicycle and that's the one ideal for you.

To help you choose, we have divided the catalogue into user friendly sections with an accompanying symbol. With an unrivalled choice of so many bicycles and genuine parts and accessories, the strength of our range is the strength of our name.



# The strength of the name

Just what do you look for when you're buying a bike?

We could be so bold as to suggest it's just one thing – the Raleigh name. Not only does it represent quality, know-how and value, but it is the symbol that you're investing in the very best of British bikes.

Sharing the adventure, freedom and fun that so many other generations have enjoyed during the 105 years Raleigh has been building bikes in Nottingham, England.

But don't let that fool you into thinking we're old fashioned. We keep pace with the times and lead the way in technology and design innovation.

Continually investing for the future with computer aided design, the very latest paint technology, precise programmable welding robots and most of all researching and understanding our customers' needs.

Our success speaks for itself. Not only is Raleigh the number one selling bike – it is also

the name that has dominated cycling competition in 1992. Team Raleigh riders, who play an important role in our development programme, won six British Championships and a bronze medal in the World Mountain Bike Championships. Proof alone that the best riders demand the very best bicycles.

You may pay a little less for other bikes, but then ask yourself, do they carry the strength of the Raleigh name?



# The strength of quality

Quality has always been associated with the name of Raleigh.

It is the hallmark of our success and your assurance that all our bikes are built for lasting performance.

Every new model is designed using our computer aided design systems, CAD for short. From there a prototype is built and subjected to a test programme which not only assesses the advanced frame geometries but ensures the equipment and componentry can keep pace with the punishment.

So tough are our tests, that every bicycle

in our extensive range exceeds current British Safety Standards.

But even the strongest bicycle has to look good, not just in the showroom but out on the road year after year.

Raleigh's paint finish is probably the best in the world and certainly more durable than on most cars. A multi-stage cleaning and priming process and up to three layers of paint produces a glossy, rust-proof, chip resistant finish that will last for years.

Last, but certainly not least, you should visit your Raleigh stockist. Not only will they

help you choose the Raleigh bike that's precisely right for you but they will be pleased to explain the many other benefits of Raleigh's after sale care. Our unique 15 year frame and fork guarantee, our one year guarantee on other fitted parts, whether made by Raleigh or not, plus the option of our extended warranty and cycle protection register service (see page 27 for details).

The strength of our quality is the strength of our name and your guarantee that Raleigh will always be there to bring you continued cycling pleasure.





## MOUNTAIN FOR MEN

Our new 1993 range of Mountain Bikes just won't stand still.

Not only do they forge ahead in design and build technology but when you lay down the challenge, they'll take you wherever you want to go.

New lighter weight materials, frame geometries and the most advanced components combine to deliver a more efficient and responsive ride.

At the ultimate peak of performance is our new OFF ROAD SERIES.

All that we've learnt from our Team Raleigh champions is built into these machines. CAD frame geometry, light K2 mountain tubing,

Shimano group sets and advanced componentry. All have been trialed and tested beyond the limits of normal endurance.

Another thing you can't fail to notice are the stunning paint finishes across the whole range. Not just bright new colours, innovative effects and stylish graphics, but a 15 stage process, unique to Raleigh, that withstands more tough treatment than most of our competitors could cope with. And it's not just looks! We build in power - efficient multi gearing, deep tread tyres, the best braking systems and on some bikes, "energiser" seat stays, "power blade" forks and oversize steering. The new Activator even has "Synchro Shock" suspension forks.

Select your bike, face the challenge and you'll be glad you chose the strength of the Raleigh name.



## Summit

"OFF ROAD SERIES" K2 FULL CROMOLY FRAME WITH OVERSIZE SHOT-IN SEAT STAYS, OVERSIZE HEAD AND FORGED VERTICAL DROPOUTS.

ROCK SHOX FRONT SUSPENSION UNIT.

SHIMANO DEORE LX ENSEMBLE.

TITANIUM HANDLEBAR WITH "ZOOM COMPETITION" CROMOLY STEM AND ALUMINIUM BAR ENDS.

LIGHTWEIGHT VETTA RACING SADDLE IN BLACK LEATHER.

COLOUR: DARK RUBY.

FRAME SIZES: 15 1/2", 17", 19", 21".

## Peak

SHIMANO DEORE LX ENSEMBLE.

"OFF ROAD SERIES" K2 FULL CROMOLY FRAME WITH OVERSIZE SHOT-IN SEAT STAYS, OVERSIZE HEAD AND FORGED VERTICAL DROPOUTS.

TITANIUM HANDLEBAR WITH "ZOOM COMPETITION" CROMOLY STEM AND ALUMINIUM BAR ENDS.

LIGHTWEIGHT VETTA RACING SADDLE IN BLACK LEATHER.

RIGIDA LASER 400 HARD GREY ANODISED RIMS.

COLOUR: IRIDESCENT AMBER.

FRAME SIZES: 15 1/2", 17", 19", 21".



## Apex

TITANIUM HANDLEBAR WITH GIRVIN CROMOLY FLEXSTEM.

"OFF ROAD SERIES" K2 CROMOLY MAIN FRAME WITH SHOT-IN SEAT STAYS, OVERSIZE HEAD AND FORGED VERTICAL DROPOUTS.

SHIMANO EXAGE LT ENSEMBLE.

VETTA LITE GEL RACING SADDLE.

ALL BLACK OFF ROAD 1.95" TYRES.

COLOUR: PEARL RUBY.

FRAME SIZES: 15 1/2", 17", 19", 21".



## Ravine

"OFF ROAD SERIES" K2 CROMOLY MAIN FRAME WITH SHOT-IN SEAT STAYS, OVERSIZE HEAD AND FORGED VERTICAL DROPOUTS.

ALUMINIUM BAR ENDS.

SHIMANO ALTUS A10 ENSEMBLE.

501 CROMOLY BAR WITH BLACK "ZOOM" ORIGINAL CROMOLY STEM.

VETTA LITE GEL RACING SADDLE WITH ASTRALE FINISH.

COLOUR: IRIDESCENT AZURE.

FRAME SIZES: 15 1/2", 17", 19", 21".

## Strata

"OFF ROAD SERIES" K2 CROMOLY MAIN FRAME WITH SHOT-IN SEAT STAYS, OVERSIZE HEAD AND FORGED VERTICAL DROPOUTS.

SHIMANO ALTUS A20 ENSEMBLE.

VETTA LITE GEL RACING SADDLE WITH ASTRALE FINISH.

501 CROMOLY BAR WITH BLACK "ZOOM" ORIGINAL CROMOLY STEM.

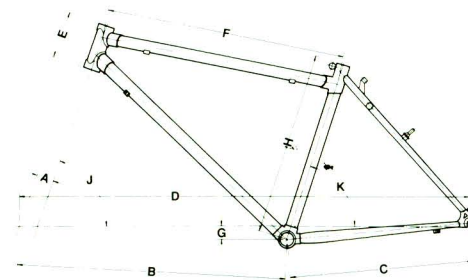
ALL BLACK OFF ROAD 1.95" TYRES.

COLOUR: IRIDESCENT LIME.

FRAME SIZES: 15 1/2", 17", 19", 21".



### OFF ROAD SERIES GEOMETRY



	FRAME SIZE			
	15 1/2"	17"	19"	21"
FORK OFFSET (A)	42	42	42	42
FRONTWHEEL CTRS (B)	616.7	631	633.5	655
CHAINSTAY CTRS (C)	435	435	435	435
WHEELBASE (D)	1040	1060	1060	1080
HEAD SIZE (E)	108	108	139	183.5
TOP TUBE CTRS (F)	539.5	557	558.4	580.6
BOTTOM BRKT DROP (G)	31.7	31.7	31.7	31.2
FRAME SIZE (H)	393.7	431.8	482.5	533.5
HEAD ANGLE (J)	71°	71°	71°	71°
SEAT ANGLE (K)	73°	73°	73°	73°

NB: THIS GEOMETRY ALSO APPLIES TO KALAHARI AND AMAZON GENTS PRODUCTS





## Kalahari Manta

GIRVIN SUSPENSION  
FLEXSTEM AND  
LIGHTWEIGHT BAR ENDS.

NEW CROMOLY MOUNTAIN  
BIKE FRAME WITH SHOT-IN  
SEAT STAYS, OVERSIZE HEAD  
TUBE, QUICK RELEASE  
CABLE GUIDES AND FORGED  
ENDS.

SHIMANO "RIDE-LIGHT"  
ALTUS C10 21 SPEED  
ENSEMBLE FEATURING:  
RAPID FIRE "STI" SHIFTING,  
"MULTI-CONDITION"  
CANTILEVER BRAKES WITH  
SHORT REACH BRAKE  
LEVERS.

UNIQUE EFFECT  
INTEGRATED GRAPHICS  
SCHEME.

VETTA LITE GEL RACING  
SADDLE.

COLOUR: GLOSS BLACK AND  
GREY.

FRAME SIZES: 15 1/2", 17", 19",  
21", 23"



## Amazon Alaska

NEW CROMOLY MOUNTAIN  
BIKE FRAME WITH SHOT-IN  
SEAT STAYS, OVERSIZE HEAD  
TUBE AND FORGED ENDS.

SHIMANO "RIDE-LIGHT"  
ALTUS C10 21 SPEED  
ENSEMBLE FEATURING:  
RAPID FIRE "SHIMANO TOTAL  
INTEGRATION" (STI) GEAR  
SHIFTING, "MULTI-  
CONDITION" CANTILEVER  
BRAKES WITH SHORT REACH  
BRAKE LEVERS.

LIGHTWEIGHT ALLOY RIMS  
WITH QUICK RELEASE  
FRONT HUB.

COLOUR: CIRRUS SPRAY.

FRAME SIZES: 15 1/2", 17", 19",  
21", 23"



SHIMANO STI 21 SPEED  
GEARING SYSTEM WITH  
"RAPID FIRE" SHIFTING.

HIGH QUALITY,  
LIGHTWEIGHT ALLOY RIMS.

RALEIGH MOUNTAIN BIKE  
FRAME WITH SLOPING TOP  
TUBE, "ENERGISER" SEAT  
STAYS AND "POWER BLADE"  
FORKS.

BLACK ALLOY LOW PROFILE  
CANTILEVER BRAKING  
SYSTEM.

COLOUR: IRIDESCENT  
BLAZE.

FRAME SIZES: 16", 18", 19 1/2",  
21", 23"



SHIMANO 21 SPEED INDEX  
GEARING SYSTEM WITH  
THUMBSHIFT CONTROLS.

QUALITY LIGHTWEIGHT  
ALLOY RIMS.

RALEIGH MOUNTAIN BIKE  
FRAME WITH SLOPING TOP  
TUBE, "ENERGISER" SEAT  
STAYS AND "POWER BLADE"  
FORKS.

BLACK ALLOY LOW PROFILE  
CANTILEVER BRAKING  
SYSTEM.

COLOUR: PLATINUM BLUE.

FRAME SIZES: 16", 18", 19 1/2",  
21", 23"



## ACTIVATOR

You've seen it on TV, it's the hottest news around, the Raleigh Activator has revolutionised the biking scene. It's a new generation of Mountain Bike with the technology to combine performance and handling to ride the rough off the road.

It wasn't for nothing that the Activator was voted by cycle retailers **BEST NEW BIKE** for 1992/93. Its new "Synchro Shock" front suspension unit is hand built just like all our bikes in Nottingham, England.

Virtually maintenance free, the "Synchro Shock" system delivers up to 1 1/2" of telescopic spring loaded suspension - absorbing the impact of uneven ground, improving comfort and rider performance.

So popular has this bike become that there are now two models to choose from and, by demand, a ladies' version too!

Dynamically finished in Black Ice Spray, Activator carries the latest componentry with Shimano 21 speed index gearing, deep cut black walled tyres and, of course, "Synchro Shock" suspension forks.



## Activator STI

**RALEIGH "SYNCHRO SHOCK" FORK SYSTEM - A FRONT SUSPENSION UNIT DESIGNED TO DELIVER 1 1/2" OF TELESCOPIC SHOCK ABSORBING TRAVEL.**

**SHIMANO STI 21 SPEED GEARING SYSTEM WITH "RAPID FIRE" SHIFTING.**

**ENAMELLED RALEIGH MOUNTAIN BIKE BAR WITH BAR ENDS.**

**RALEIGH MOUNTAIN BIKE FRAME WITH SLOPING TOP TUBE AND "ENERGISER" SEAT STAYS.**

**BLACK ALLOY LOW PROFILE CANTILEVER BRAKING SYSTEM.**

**HIGH QUALITY, LIGHTWEIGHT ALLOY RIMS.**

**COLOUR: BLACK ICE SPRAY.**

**FRAME SIZES: 16", 18", 19 1/2", 21", 23".**

## Activator

**RALEIGH "SYNCHRO SHOCK" FORK SYSTEM - A FRONT SUSPENSION UNIT DESIGNED TO DELIVER 1 1/2" OF TELESCOPIC SHOCK ABSORBING TRAVEL.**

**SHIMANO 21 SPEED INDEX GEARING SYSTEM.**

**RALEIGH MOUNTAIN BIKE FRAME WITH SLOPING TOP TUBE AND "ENERGISER" SEAT STAYS.**

**HIGH QUALITY LIGHTWEIGHT ALLOY RIMS (16" FRAME SIZE AND UPWARDS).**

**BLACK ALLOY LOW PROFILE CANTILEVER BRAKING SYSTEM.**

**COLOUR: BLACK ICE SPRAY.**

**FRAME SIZES: 14" WITH 24" WHEELS  
16", 18", 19 1/2", 21", 23" WITH 26" WHEELS.**





## Outland Ascender

SHIMANO 18 SPEED INDEX GEARING SYSTEM.

RALEIGH MTB HANDLEBAR WITH BAR ENDS.

QUALITY LIGHTWEIGHT ALLOY RIMS.

RALEIGH MOUNTAIN BIKE FRAME WITH SLOPING TOP TUBE, "ENERGISER" SEAT STAYS AND "POWER BLADE" FORKS.

COLOUR: NEON GREEN COBWEB.

FRAME SIZES: 16", 18", 19½", 21", 23" WITH 26" WHEELS.

RALEIGH MOUNTAIN BIKE FRAME WITH SLOPING TOP TUBE, "ENERGISER" SEAT STAYS AND "POWER BLADE" FORKS.

SHIMANO 15 SPEED INDEX GEARING SYSTEM.

LIGHTWEIGHT ALLOY RIMS (16" FRAME SIZE AND UPWARDS).

CANTILEVER BRAKING SYSTEM.

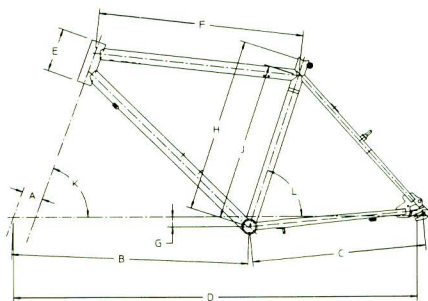
ENAMELLED RALEIGH MOUNTAIN BIKE HANDLEBAR WITH MTB GRIPS.

COLOUR: EMERALD SPRAY.

FRAME SIZES: 14" WITH 24" WHEELS, 16", 18", 19½", 21", 23" WITH 26" WHEELS.



### MOUNTAIN BIKE GEOMETRY



NB THESE DIMENSIONS VARY SLIGHTLY ON ALL ACTIVATOR PRODUCTS DUE TO THE INCLUSION OF THE "SYNCHRO SHOCK" SUSPENSION FORK

	FRAME SIZE					
	14"	16"	18"	19½"	21"	23"
FORK OFFSET (A)	55	55	55	55	55	55
FRONTWHEEL CTRS (B)	558	617.3	617.3	628.5	628.5	628.5
CHAINSTAY CTRS (C)	427	455	455	455	455	455
WHEELBASE (D)	968	1055	1055	1066	1066	1066
HEAD SIZE (E)	115	115	115	125	165	165
TOP TUBE CTRS (F)	472	526	544	552	568.5	580
BOTTOM BRKT DROP (G)	0	26.5	26.5	26.5	29.5	29.5
FRAME SIZE (H)	360	410	460	500	540	580
HEAD ANGLE (K)	70°	70°	70°	70°	70°	70°
SEAT ANGLE (L)	70°	72°	72°	72°	70°	70°

## Scorpion

SHIMANO 12 SPEED INDEX GEARING SYSTEM WITH THUMB SHIFT CONTROLS.

RALEIGH SLOPING MOUNTAIN BIKE FRAME WITH HI-TENSILE "POWER BLADE" FORKS.

ENAMELLED RALEIGH MOUNTAIN BIKE HANDLEBAR WITH T-BONE STEM AND MTB GRIPS.

COLOUR: BLACK WIDOW COBWEB.

FRAME SIZES: 14" WITH 24" WHEELS, 16", 18", 19½", 21", 23" WITH 26" WHEELS.





**MOUNTAIN  
FOR WOMEN**

Our range of Mountain Bikes for women has never been more extensive or more attractive. They have the very latest components, as fitted on the men's range, the same easy to use 'rapid fire' or indexed gears, the same powerful alloy cantilever brakes, the same light alloy or sturdy steel rims.

But it's where they are different that's important, like the frame, developed with computer aided design to give the optimum reach to pedals and handlebars for efficient body placement, and the specially shaped saddles for extra riding comfort. Add to comfort and performance the most exciting and innovative range of colours and finishes we have ever produced and you have Raleigh's '93 range of Mountain Bikes for women.



**Amazon**

NEW HIGH PERFORMANCE CROMOLY LADIES MOUNTAIN BIKE FRAME WITH FORGED ENDS.

SHIMANO "RIDE-LIGHT" ALTUS C10 21 SPEED ENSEMBLE FEATURING: RAPID FIRE "SHIMANO TOTAL INTEGRATION" (STI) GEAR SHIFTING; "MULTI-CONDITION" CANTILEVER BRAKES WITH SHORT REACH BRAKE LEVERS.

LIGHTWEIGHT ALLOY RIMS WITH QUICK RELEASE FRONT HUB.

COLOUR: CIRRUS SPRAY.

FRAME SIZES: 17", 19", 21".



**Manta**

SHIMANO 21 SPEED RAPID FIRE "STI" SHIFTING.

RALEIGH LADIES MOUNTAIN BIKE FRAME WITH "ENERGISER" SEAT STAYS AND HI-TENSILE "POWER BLADE" FORKS.

POWERFUL CANTILEVER BRAKING SYSTEM.

HIGH QUALITY, LIGHTWEIGHT ALLOY RIMS.

COLOUR: IRIDESCENT BLAZE.

FRAME SIZES: 16", 18", 20" WITH 26" WHEELS.



**Alaska**

RALEIGH LADIES MOUNTAIN BIKE FRAME WITH "ENERGISER" SEAT STAYS AND HI-TENSILE "POWER BLADE" FORKS.

SHIMANO 21 SPEED INDEX GEARING SYSTEM WITH THUMB SHIFT CONTROLS.

POWERFUL CANTILEVER BRAKING SYSTEM.

QUALITY LIGHTWEIGHT ALLOY RIMS.

COLOUR: PLATINUM BLUE.

FRAME SIZES: 16", 18", 20" WITH 26" WHEELS.







## Activator

RALEIGH "SYNCHRO-SHOCK" FORK SYSTEM - A FRONT SUSPENSION UNIT DESIGNED TO DELIVER 1 1/4" OF TELESCOPIC SHOCK ABSORBING TRAVEL.

SHIMANO 21 SPEED INDEX GEARING SYSTEM.

LIGHTWEIGHT ALLOY RIMS (16" FRAME SIZE AND UPWARDS).

ALLOY CANTILEVER BRAKING SYSTEM.

COLOUR: BLACK ICE SPRAY.

FRAME SIZES: 14" WITH 24" WHEELS.  
16", 18", 20" WITH 26" WHEELS.

## Cassis

POWERFUL ALLOY CANTILEVER BRAKES FOR SURE STOPPING.

SHIMANO 5 SPEED INDEX GEARING WITH THUMBSHIFT CONTROLS.

RALEIGH LADIES MOUNTAIN BIKE FRAME WITH UNICROWN FORK.

LIGHTWEIGHT ALLOY RIMS (16" FRAME SIZE AND UPWARDS).

COLOUR: MOUNTAIN PLUM VAPOUR.

FRAME SIZES: 14" WITH 24" WHEELS.  
16", 18", 20" WITH 26" WHEELS.



## Camaro

SHIMANO 15 SPEED INDEX GEARING SYSTEM.

POWERFUL ALLOY CANTILEVER BRAKES FOR SURE STOPPING.

RALEIGH LADIES MOUNTAIN BIKE FRAME WITH UNICROWN FORK.

HIGH QUALITY, LIGHTWEIGHT ALLOY RIMS.

COLOUR: ROSSO RED.

FRAME SIZES: 16", 18", 20" WITH 26" WHEELS.

## Calypso

SHIMANO 5 SPEED INDEX GEARING SYSTEM WITH THUMBSHIFT CONTROLS.

RALEIGH LADIES MOUNTAIN BIKE FRAME WITH UNICROWN FORK.

COTTERLESS CHAINSET WITH PROTECTIVE DISK.

COLOUR: AMETHYST SPRAY - UNIQUE TO RALEIGH.

FRAME SIZES: 14" WITH 24" WHEELS.  
16", 18", 20" WITH 26" WHEELS.





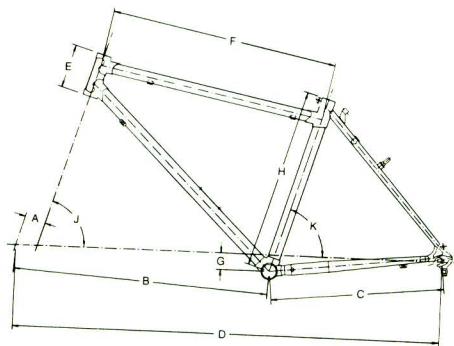
## PIONEER AND CITY

### PIONEER ELITE

The Raleigh Pioneer Elite is the perfect hybrid for today's active lifestyle. Equally at home exploring country tracks or flashing through the city streets, Elite combines the rugged features of a mountain bike with lightness, comfort and control. Its unique frame design was developed and fine tuned using our latest computer aided design systems. With sloping top tube, reduced offset forks and shorter chainstays, the Elite delivers maximum performance whatever the terrain. Available in a range of sizes to suit both women and men, the Elite range with its hardened metallic spray finish, features indexed multi gear systems and cantilever brakes throughout.

Elite by name and Elite by nature.

### PIONEER ELITE GEOMETRY



	FRAME SIZE		
	17"	19"	21"
FORK OFFSET (A)	48.5	60.25	60.25
FRONTWHEEL CTRS (B)	600.2	598.4	598.4
CHAINSTAY CTRS (C)	410	435	435
WHEELBASE (D)	998.5	1019.5	1019.5
HEAD SIZE (E)	104	126	144
TOPTUBE CTRS (F)	535.7	536.6	539.9
BOTTOM BRKT DROP (G)	39	64.13	64.13
FRAME SIZE (H)	431.8	482.5	533.5
HEAD ANGLE (J)	73°	73°	73°
SEAT ANGLE (K)	73°	73°	73°



## Pioneer Elite LX

NEW SHIMANO "RIDE-LIGHT" ALTUS A20 21 SPEED ENSEMBLE FEATURING: "RAPID FIRE PLUS" STI (SHIMANO TOTAL INTEGRATION) GEARING SYSTEM WITH DUAL SIS SHIFTING; ALLOY CHAINSET WITH LOW PROFILE CRANKS; ALLOY "MULTI-CONDITION" CANTILEVER BRAKING SYSTEM.

UNIQUE RALEIGH HYBRID FRAME BUILT WITH LIGHTWEIGHT REYNOLDS 501 CROMOLY TUBING.

VETTA LITE GEL RACING SADDLE WITH QUICK RELEASE ADJUSTMENT LEVER.

ENAMELLED REYNOLDS 501 CROMOLY HANDLEBAR.

LIGHTWEIGHT BLACK ANODISED ALLOY RIMS AND ALLOY HUBS.

COLOUR: BLACK ICE SPRAY

FRAME SIZES: 17", 19", 21"

## Pioneer Elite CX

SHIMANO 200 CX 21 SPEED ENSEMBLE FEATURING: RAPID FIRE "SHIMANO TOTAL INTEGRATION" (STI) GEARING SYSTEM; BIOPACE CHAINSET WITH BLACK DETACHABLE RINGS; LOW PROFILE CANTILEVER BRAKES WITH SHORT REACH LEVERS.

UNIQUE RALEIGH HYBRID FRAME WITH FORGED ENDS AND QUICK RELEASE CABLE GUIDES.

LIGHTWEIGHT ALLOY RIMS AND HUBS.

WIDE SECTION MULTI-GRIP TYRES FOR TOWN OR TRAIL RIDING.

COLOUR: AMETHYST SPRAY

FRAME SIZES: 17", 19", 21"







## Pioneer Elite

UNIQUE RALEIGH HYBRID FRAME WITH REDUCED OFFSET UNICROWN FORK AND FORGED ENDS.

SHIMANO 18 SPEED INDEX GEARING SYSTEM.

LIGHTWEIGHT ALLOY RIMS AND HUBS.

SELLE ROYAL LYCRA ANATOMIC SADDLE WITH QUICK RELEASE ADJUSTMENT LEVER.

COLOUR: EMERALD SPRAY.

FRAME SIZES: 17", 19", 21".



## Pioneer Endeavour

GIRVIN CROMOLY SUSPENSION FLEXSTEM ABSORBS SHOCK IMPACT IN THE SHOULDER AREA, REDUCING RIDER FATIGUE AND IMPROVING PERFORMANCE.

LIGHTWEIGHT REYNOLDS 501 BUTTED FRAME TUBING FOR EASY HANDLING.

QUALITY ALLOY RIMS, ALLOY SEAT PIN AND ANATOMIC GEL SADDLE.

SHIMANO 18 SPEED GEARING SYSTEM AND DEEP TREAD TYRES TO COPE WITH ROAD AND TRACK RIDING.

COLOUR: PEARL SILVER AND DEEP METALLIC PURPLE.

GENTS FRAME SIZES: 19 1/2", 21", 23 1/2".

LADIES FRAME SIZES: 18", 20".



## PIONEER

Since its introduction, the Raleigh Pioneer has done more to increase the pleasures and practicality of cycling than any other bike.

This truly is a range for everyone. Where age is no barrier and fitness of purpose extends from city street to country track. Whether commuting, exercising or simply enjoying the sheer pleasure of family cycling, in the Pioneer range there is a bike for you.

Classic styling, a new choice of colours and expertly chosen equipment place you in total control of the most easy, stylish and comfortable bike to ride.

## CITY BIKES

Whilst we continue to lead the market in design innovation and manufacturing technology, there are values which the Raleigh name has always stood for: craftsmanship, quality and classic design are at the heart of our tradition.

In no other range are those values more apparent than in our City Bikes.

Always popular and in demand, these bikes are built with the same loving care as they always were for the cyclist who appreciates traditional design and classic elegance.

## Pioneer Prestige

A FULL SET OF QUALITY LIGHTWEIGHT COMPONENTRY INCLUDING ALLOY REAR CARRIER, ALLOY RIMS AND ALLOY SEAT PIN.

SHIMANO 12 SPEED INDEX GEARING TO PROVIDE PRECISE SHIFTING ON VARIED TERRAINS.

RALEIGH BRAZED MOUNTAIN-LITE FRAME WITH UNICROWN FORK.

ANATOMIC GEL SADDLE, WIDE SECTION TYRES AND RAISED HANDLEBAR IMPROVE COMFORT AND HANDLING.

POWERFUL ALLOY CANTILEVER BRAKING SYSTEM.

COLOUR: IRIDESCENT AZURE.

GENTS FRAME SIZES: 19 1/2", 21", 23 1/2".

LADIES FRAME SIZES: 18", 20".







## Pioneer Classic

- QUALITY LIGHTWEIGHT ALLOY RIMS AND HUBS.
- ANATOMIC GEL SADDLE FOR INCREASED COMFORT.
- HIGH PERFORMANCE ALLOY CANTILEVER BRAKING SYSTEM.
- SHIMANO 10 SPEED INDEX GEARING SYSTEM FOR ACCURATE AND PRECISE CHANGING.
- WIDE SECTION TYRES AND RAISED HANDLEBAR FOR IMPROVED HANDLING.
- COLOUR: DEEP METALLIC PURPLE.
- LADIES FRAME SIZES: 18", 20", 22".
- GENTS FRAME SIZES: 19 1/2", 21", 23 1/2".



## Pioneer Commuter 10

- SHIMANO 10 SPEED INDEX GEARING SYSTEM FOR ACCURATE GEAR CHANGING.
- ANATOMIC SADDLE, WIDE SECTION TYRES AND MUDGUARDS, AND RAISED HANDLEBAR ENSURE COMFORT AND PRACTICALITY.
- CUSTOM DESIGNED FRAME AND FORK FOR STRENGTH AND PERFORMANCE.
- COLOUR: DEEP METALLIC BLUE.
- GENTS FRAME SIZES: 19 1/2", 21", 23 1/2".
- LADIES FRAME SIZES: 18", 20", 22".

## Pioneer Commuter 5

- CUSTOM DESIGNED FRAME AND FORK FOR MAXIMUM COMFORT, STRENGTH AND PERFORMANCE.
- SHIMANO 5 SPEED INDEX GEARS PROVIDE PRECISE AND EASY GEAR CHANGING.
- ANATOMIC SADDLE, WIDE SECTION TYRES AND MUDGUARDS, AND RAISED HANDLEBAR FOR COMFORT AND PRACTICALITY.
- COLOUR: METALLIC GREEN.
- LADIES FRAME SIZES: 18", 20".
- GENTS FRAME SIZES: 19 1/2", 21", 23 1/2".



## Caprice Shopper

- LARGE FRONT BASKET, UNIQUELY MOUNTED ON THE FRAME, KEEPS THE WEIGHT OF SHOPPING FREE FROM THE HANDLEBAR TO IMPROVE STABILITY WHEN STEERING AND CORNERING.
- BEAUTIFULLY ILLUSTRATED FLORAL GRAPHICS INTEGRATED WITHIN THE PAINT FINISH FOR PERMANENT GOOD LOOKS.
- 3 SPEED STURMEY ARCHER HUB GEAR GIVES SMOOTH AND POSITIVE GEAR CHANGING.
- A COLOUR MATCHED REAR CARRIER WITH STRAP, ALLOY PROPSTAND FOR PARKING CONVENIENCE.
- COLOUR: WARM WHITE.
- FRAME SIZES: 18", 19 1/2", 21".







## Cameo and Courier

UNIQUE HALOGEN LIGHTING SYSTEM WITH A LONGER, BRIGHTER BEAM, PLUS A REAR LIGHTING FACILITY FOR CONTINUED VISIBILITY WHEN STATIONARY.

STURMEY ARCHER 3 SPEED HUB GEAR ENSURES RELIABLE, ALL-WEATHER GEAR CHANGING.

COMPLETE WITH ENAMELLED HEAVY DUTY LUGGAGE CARRIER WITH STRAP AND ALLOY PROPSTAND.

COLOUR: DEEP METALLIC RED.

FRAME SIZES:  
CAMEO: 19½", 21"  
COURIER: 21", 23½", 25"

## Chiltern and Chiltern Lady

FULL DEEP SECTION MUDGUARDS AND WRAPAROUND CHAINGUARD TO PROTECT RIDER AND CLOTHING.

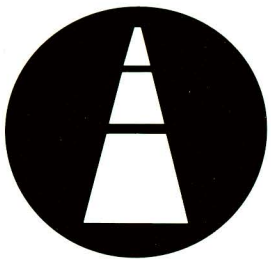
SIMPLE AND RELIABLE 3 SPEED STURMEY ARCHER HUB GEAR.

ALLOY PROPSTAND FOR EASY PARKING.

COLOUR:  
CHILTERN: GLOSS BLACK,  
CHILTERN LADY: PARIS BLUE.

FRAME SIZES:  
CHILTERN: 21", 23½", 25"  
CHILTERN LADY: 18", 19½", 21"





## RACE

Every bike is designed for a purpose, these are designed for speed.

Unlike some of our competitors, this goes beyond a sharp saddle, drop bars and lack of mudguards – it starts at the very heart of the machine. The close clearance, racing geometry on each frame has been finely tuned using the latest CAD equipment to transfer your stamina and muscle power into out and out race performance.

12 and 14 speed index gearing takes the chance out of finding the right gear, whilst infinitely variable riding positions put you in total control whether it's an uphill climb or fast descent.

As for looks – just as you'd expect from a Raleigh thoroughbred race machine – our unique 15 stage paint finishes are the most durable and dynamic around.

Raleigh race bikes – speed plus style – an unbeatable combination.



## Elan

**REYNOLDS 501 BUTTED RACING FRAME WITH UNICROWN FORK AND FORGED ENDS.**

**SHIMANO 300EX 14 SPEED INDEX RACE ENSEMBLE.**

**ANODISED ALLOY RIMS WITH SHIMANO QUICK RELEASE HUBS.**

**RECESSED BRAKE CALIPERS AND LINEAR RESPONSE LEVERS.**

**SHIMANO ALLOY LOW PROFILE PEDALS WITH CLIPS AND STRAPS.**

**COLOUR: TEAL BLUE.**

**FRAME SIZES: 21", 22 1/2", 23 1/2", 25".**

## Record Sprint

**CLOSE CLEARANCE RACING FRAME BUILT WITH REYNOLDS 501 BUTTED TUBING, UNICROWN FORKS AND FORGED ENDS.**

**SACHS-HURET CLASSIC 1500 12 SPEED INDEX GEARING SYSTEM.**

**WEINMANN BRAKING SYSTEM WITH BLACK ALLOY CALIPERS AND BLACK AERO LEVERS.**

**LOW PROFILE PEDALS WITH CLIPS AND STRAPS.**

**ENGRAVED BLACK ALLOY HANDLEBAR AND BLACK LIGHT ALLOY STEM.**

**COLOUR: GLOSS BLACK.**

**FRAME SIZES: 21", 23 1/2", 25".**





## Pro Race

CLOSE CLEARANCE RACING FRAME BUILT WITH REYNOLDS 501 BUTTED TUBING AND HIGH QUALITY FORGED ENDS.

SHIMANO 12 SPEED INDEX GEARING SYSTEM.

BLACK ALLOY WHEELS WITH QUICK RELEASE HUBS.

LOW PROFILE PEDALS WITH CLIPS AND STRAPS.

BLACK AERO RACE SADDLE WITH BLACK ALLOY SEAT PIN.

COLOUR: FLUORESCENT GREEN AND GLOSS BLACK.

FRAME SIZES: 21", 23 1/2", 25".



## Scorpio

RALEIGH CAD DESIGNED. RESPONSIVE, CLOSE CLEARANCE RACING FRAME.

SHIMANO 12 SPEED INDEX GEARING SYSTEM.

LIGHTWEIGHT ALLOY RIMS WITH QUICK RELEASE ALLOY FRONT HUB.

LOW PROFILE PEDALS WITH TOE-CLIPS AND STRAPS.

RECESSED ALLOY BRAKES WITH BLACK HOODED ALLOY LEVERS.

COLOUR: DEEP METALLIC PURPLE AND PEARL SILVER.

FRAME SIZES: 21", 23 1/2", 25".



## Mercury

SHIMANO 12 SPEED INDEX GEARING SYSTEM.

RALEIGH CAD DESIGNED. RESPONSIVE, CLOSE CLEARANCE RACING FRAME.

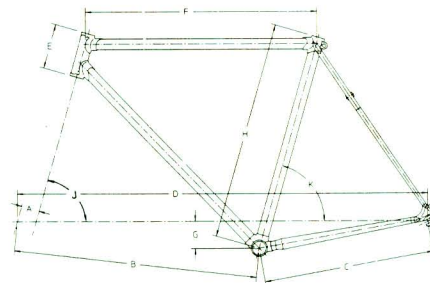
LIGHTWEIGHT RECESSED ALLOY BRAKES WITH ALLOY HANDLEBAR, STEM, HUBS AND CRANKS.

COLOUR: DEEP METALLIC BLUE AND PEARL SILVER.

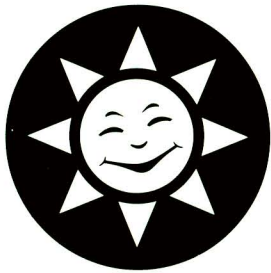
FRAME SIZES: 21", 23 1/2", 25".



### RACE FRAME GEOMETRY



	FRAME SIZE			
	21"	22 1/2"	23 1/2"	25"
FORK OFFSET (A)	44.5	44.5	44.5	44.5
FRONTWHEEL CTRS (B)	596	596	596	611
CHAINSTAY CTRS (C)	424.5	424.5	424.5	424.5
WHEELBASE (D)	1005	1005	1005	1016
HEAD SIZE (E)	109	147	172	210
TOPTUBE CTRS (F)	565	565	565	579.5
BOTTOM BRKT DROP (G)	66	66	66	66
FRAME SIZE (H)	533.4	571.5	597	635
HEAD ANGLE (J)	74°	74°	74°	74°
SEAT ANGLE (K)	74°	74°	74°	74°



**FUN AND ACTION**

Okay, you asked for it – we've made it!  
A red hot range of bikes for guys and girls so cool that the toughest thing you've got to do is choose.

Are you ready to get to grips and ride the rough off the road with the smooth new Activator with "Synchro Shock" suspension? Or are you the type to take to the streets with the wildest set of wheels in town? Then get set to go to Extremes.

Maybe you're even ready to handle mountain bike performance – if so, check out the cantilever brakes, power cranks and index gears, then burn off the rest when the action hots up.

As for mum and dad, when you've chosen, tell them it's a Raleigh. They'll know it's the safest buy around. But then that's our secret.



## Activator Boys

**UNIQUE HI-TECH RALEIGH "SYNCHRO SHOCK" FORK SYSTEM, THE ULTIMATE IN MOUNTAIN BIKE TECHNOLOGY.**

**TOUGH RALEIGH MOUNTAIN BIKE FRAME WITH SLOPING TOP TUBE.**

**SHIMANO 5 SPEED INDEX GEARING FOR FAST, ACCURATE GEAR CHANGING.**

**FULL MOUNTAIN BIKE COMPONENT SPECIFICATION, TAILORED FOR EASY RIDING ON A SMALL FRAME.**

**BRILLIANT BLACK ICE SPRAY COLOUR FINISH – EXCLUSIVE TO RALEIGH.**

**INSIDE LEG RANGE: 20"-24"\***

**PROBABLE RIDING AGE: 6-9.**

**\* MODEL IS ALSO AVAILABLE IN A 14" FRAME SIZE WITH 24" WHEELS, SUITABLE FOR AGES 8-11 (INSIDE LEG RANGE 23"-28").**

## Activator Girls

**COMPLETE WITH "SYNCHRO SHOCK" FORK SYSTEM, UNIQUE TO RALEIGH.**

**EASY-TO-USE SHIMANO 5 SPEED INDEX GEARING.**

**POWERFUL ALLOY CANTILEVER BRAKING SYSTEM.**

**NEW RALEIGH GIRLS' MOUNTAIN BIKE FRAME DESIGN.**

**COLOUR: BLACK ICE SPRAY – EXCLUSIVE TO RALEIGH.**

**INSIDE LEG RANGE: 20"-24".**

**PROBABLE RIDING AGE: 6-9.**





## Even More Extreme

TOUGH RALEIGH ACTION BIKE FRAME WITH SLOPING TOP TUBE.

OUTRAGEOUS, "EXTREME" PAINT JOB IN JUNGLE RAIN, WITH WILD CROC GRAPHICS.

SHIMANO 5 SPEED INDEX GEARING AND SEMI-SLICK TYRES FOR SPEED AND PERFORMANCE.

COLOUR: JUNGLE RAIN.

INSIDE LEG RANGE: 20"-24".

PROBABLE RIDING AGE: 6-9.



## Pretty Extreme

STUNNING CORAL VAPOUR PAINT FINISH WITH DIVING DOLPHIN GRAPHICS, EXCLUSIVE TO RALEIGH.

SHIMANO 5 SPEED INDEX GEARING WITH HANDLEBAR MOUNTED LEVER FOR PRECISE GEAR SELECTION.

LATEST GENERATION RALEIGH GIRLS' ACTION BIKE FRAME DESIGN.

COLOUR: CORAL VAPOUR.

INSIDE LEG RANGE: 20"-24".

PROBABLE RIDING AGE: 6-9.



## Mustang

SHIMANO 5 SPEED INDEX GEARING FOR FAST AND PRECISE CHANGING.

WILD, ZANY GRAPHICS INTEGRATED INTO THE PAINT FINISH.

POWERFUL ALLOY CANTILEVER BRAKES FOR SURE STOPPING.

NEW RALEIGH MOUNTAIN BIKE FRAME DESIGN WITH SLOPING TOP TUBE AND "ENERGISER" SEAT STAYS.

AERO CHAIN DISC AND TURBO SADDLE.

COLOUR: PURPLE AND WHITE.

INSIDE LEG RANGE: 20"-24".

PROBABLE RIDING AGE: 6-9.



## Cassis

FULL GIRLS' MOUNTAIN BIKE COMPONENT SPEC, TAILORED FOR EASY RIDING ON A SMALL FRAME.

SHIMANO 5 SPEED INDEX GEARING FOR QUICK AND EASY GEAR SELECTION.

POWERFUL ALLOY CANTILEVER BRAKES FOR SURE STOPPING.

SEMI-RAISED HANDLEBAR FOR A COMFORTABLE RIDING POSITION.

COLOUR: MOUNTAIN PLUM VAPOUR.

INSIDE LEG RANGE: 20"-24".

PROBABLE RIDING AGE: 6-9.







## Scorpion

SHIMANO 5 SPEED INDEX GEARING FOR PRECISE GEAR SELECTION.\*

BLAZING BLACK WIDOW COBWEB PAINT FINISH WITH FIERY SCORPION GRAPHICS.

CHUNKY HI-RIDGE TYRES AND TURBO SADDLE.

TOUGH MOUNTAIN BIKE FRAME DESIGN WITH "ENERGISER" SEAT STAYS.

COLOUR: BLACK WIDOW COBWEB.

INSIDE LEG RANGE: 20"-24".

PROBABLE RIDING AGE: 6-9.

\* SINGLE SPEED MODEL ALSO AVAILABLE.



## Calypso

NEW RALEIGH GIRLS' MOUNTAIN BIKE FRAME DESIGN.

SHIMANO 5 SPEED INDEX GEARING FOR EASY CHANGING.\*

HI-RIDGE GUMWALL TYRES FOR SPEED AND GRIP.

COLOUR: AMETHYST SPRAY - EXCLUSIVE TO RALEIGH.

INSIDE LEG RANGE: 20"-24".

PROBABLE RIDING AGE: 6-9.

\* SINGLE SPEED MODEL ALSO AVAILABLE.

## Mini Mustang

AN EXCITING JUNIOR MOUNTAIN STYLE BIKE WITH AUTHENTIC FRAME GEOMETRY.

STRONG AND STYLISH "POWER CRANKS" AND RUGGED BEARTRAP PEDALS.

INTERNAL BALL BEARINGS GIVE SMOOTH RUNNING RELIABILITY.

COLOUR: PURPLE.

INSIDE LEG: 18"-22".

PROBABLE RIDING AGE: 5-7.



## Street Wolf

THREE THRILLING SCI-FI SOUNDS FROM THE TOUCH BUTTON SOUND GENERATOR.

FASCINATING STREET WOLF GRAPHICS AND STROBE LIGHTS.

SLEEK, HI-TECH FRAME FAIRINGS WITH INTEGRATED SPLASHGUARDS.

SMOOTH FIVE SPOKE BLACK MAG WHEELS.

COLOUR: FLAME RED.

INSIDE LEG: 18"-22".

PROBABLE RIDING AGE: 5-7.







## Extreme Sixteen

**TOUGH RALEIGH ACTION BIKE FRAME AND UNICROWN FORK WILL TAKE THE ROUGH WITH THE SMOOTH.**

**AERODYNAMIC, BRIGHT YELLOW REAR WHEEL DISCS FOR SPEED AND STYLE.**

**DYNAMIC DINOSAUR GRAPHICS GIVE THE HOTTEST LOOK AROUND.**

**COLOUR: TROPICAL VAPOUR.**

**INSIDE LEG: 18"-22".**

**PROBABLE RIDING AGE: 5-7.**



## Petite Extreme

**INCREDIBLE CARIBBEAN VAPOUR FINISH AND FLYING BIRD GRAPHICS FOR STREET STYLE LEADERS.**

**TOUGH GIRLS' ACTION BIKE FRAME AND FORK GIVE STRENGTH AND DURABILITY.**

**AERODYNAMIC PINK REAR WHEEL DISCS FOR SPEED AND STYLE.**

**COLOUR: CARIBBEAN VAPOUR.**

**INSIDE LEG: 18"-22".**

**PROBABLE RIDING AGE: 5-7.**

## Slammer

**SLEEK RALEIGH FRAME AND UNICROWN FORK ENSURE STRENGTH AND DURABILITY.**

**STRIKING TWO-TONE COLOUR FINISH WITH MENACING SHARK GRAPHICS.**

**SEMI-RAISED HANDLEBAR WITH T-BONE STEM, SLOPING TOP TUBE AND CHUNKY BLACK TYRES.**

**COLOUR: DRAGON GREEN AND BRILLIANT YELLOW.**

**INSIDE LEG: 18"-22".**

**PROBABLE RIDING AGE: 5-7.**



## Stunner

**TOUGH RALEIGH SHORT-REACH FRAME DESIGNED WITH SAFETY AND COMFORT IN MIND.**

**STUNNING HOT PINK PAINT FINISH WITH EXOTIC TROPICAL FISH GRAPHICS.**

**SEMI-RAISED HANDLEBAR, PADDED SADDLE AND CHUNKY BLACK TYRES.**

**COLOUR: HOT PINK.**

**INSIDE LEG: 18"-22".**

**PROBABLE RIDING AGE: 5-7.**





#### GIRLS' BIKES

When all is said and done, Raleigh really give girls a choice. If you want to mix it with the boys, there's the Activator with "Synchro Shock" suspension, the outrageous Pretty Extreme or small mountain bikes like Cassis and Calypso.

But if style is more your scene, look at Raleigh's fashionable "small wheelers." The elegant curved frames with low centre of gravity give a stable ride, whilst the wrap round chainguards help protect your clothes.

As for colours, well check them out – they won't fade or lose their shine.

Heather and Bianca are for girls already used to riding on two wheels. Smart street riding is helped by a fully adjustable seat and handlebars and an easy park alloy propstand.



## Heather

**LARGE INTEGRAL REAR CARRIER COMBINES STRENGTH WITH PRACTICALITY.**

**FULLY ADJUSTABLE SADDLE, HANDLEBAR AND STEM MAKE IT EASY TO SET THE BEST RIDING POSITION.**

**EASY PARK PROPSTAND AND COMFORTABLE PADDED SADDLE.**

**COLOUR: FROSTED MAUVE.**

**INSIDE LEG: 21"-26".**

**PROBABLE RIDING AGE: 7-10.**

## Bianca

**SPECIAL GIRLS' FRAME DESIGN WITH INTEGRAL CARRIER AND STEERING STOP.**

**SINGLE SPEED OR STURMEY ARCHER 3-SPEED GEAR WITH CONVENIENT HANDLEBAR CONTROL.**

**ALLOY PROPSTAND GIVES EASY PARKING AT ANY TIME.**

**CO-ORDINATING FASHION BAG (3-SPEED ONLY).**

**HANDLEBAR ADJUSTABLE FOR HEIGHT AND REACH.**

**COLOUR: WHITE AND PLUM.**

**INSIDE LEG: 21"-26".**

**PROBABLE RIDING AGE: 7-10.**





If you are still learning to ride, Fleur, Splash and Coral have the comforting security of short reach brake levers, steering stops and non-slip rubber pedals. Sturdy colour matched stabilisers where fitted can be removed as riding skills are improved. In stylish colours, these very special bicycles have either a dolly seat or a treasure box as standard.



## Fleur

TRADITIONAL QUALITY CHROME PLATED WHEELS.

SPACIOUS REAR CARRY BIN WITH WATERPROOF HINGED LID.

EASY-TO-MOUNT, LOW STEP-OVER GIRLS' FRAME WITH EASY PARK PROPSTAND.

COLOUR: FROSTED MINT.

INSIDE LEG: 18"-22".

PROBABLE RIDING AGE: 5-7.



## Coral

DELIGHTFUL PRETTY PINK FINISH WITH FASCINATING CORAL SEA GRAPHICS.

CUSTOM DESIGNED DOLLY CARRIER AND REMOVABLE STABILISERS.

SHORT REACH BRAKE LEVERS AND NON-SLIP PEDALS.

COLOUR: SHELL PINK.

INSIDE LEG: 18"-22".

PROBABLE RIDING AGE: 5-7.



## Splash

EASY-TO-MOUNT, GIRLS' FRAME WITH COMFORTABLE FORWARD REACH FOR SAFE HANDLING.

CUSTOM DESIGNED DOLLY CARRIER.

16" WHEELS WITH DETACHABLE STABILISERS ALLOW FOR GROWTH.

COLOUR: FLAME RED.

INSIDE LEG: 18"-22".

PROBABLE RIDING AGE: 5-7.





#### PLAY BIKES

When they're starting out on two wheel travel every child deserves a Raleigh. That's not just because we build in superb play value but because our bikes are the safest ones around.

It's no coincidence that we sell more play bikes than any other manufacturer in the UK. You only have to look at our host of safety features.

There are no rough edges or finger traps. Brakes are within easy reach of little hands. Tyres are pneumatic, not solid. Pedals are made from non-slip rubber. And stabilisers are mounted on the frame rather than the axle.

In fact we think of everything - we use only non-toxic paints to produce our range of fun filled, exciting play bike colours.

But then don't take our word for it. Compare our bikes with other models. We know you'll agree that every child is worth a Raleigh.

#### TRIKES

When play is all there is to do, Raleigh provide the perfect answer with a range of trikes to delight any toddler.

They incorporate all of the safety features you'd expect from Raleigh, like wide chunky wheels for grip and stability, easy to mount sturdy steel frames and ample clearance around all moving parts. In the end a Raleigh is always the best first choice.



## Zapper

**ACTION PACKED MINI MOUNTAIN STYLE BIKE WITH UNIQUE SPACE CRUISER STYLING.**

**INTERGALACTIC "COMMAND DECK" GRAPHICS INTEGRATED INTO THE PAINT FINISH FOR LASTING GOOD LOOKS.**

**CUSTOMISED, FRAME FITTING "COSMIC KIT BAG".**

**COLOUR: WARM WHITE.**

**INSIDE LEG: 17"-21".**

**PROBABLE RIDING AGE: 4-7.**



## Roller Bluebird

**DE LUXE PLAY CYCLE WITH FRONT AND REAR BRAKES TO PROMOTE RIDING CONFIDENCE.**

**LARGE COLOUR MATCHED REAR CARRY BIN WITH WATERPROOF HINGED LID IS BOTH PRACTICAL AND FUN TO USE.**

**HANDLEBAR MOUNTED TWO-TONE HOOTER.**

**COLOUR: FLAME RED.**

**INSIDE LEG: 17"-21".**

**PROBABLE RIDING AGE: 4-7.**

**CO-ORDINATING CARRY BIN WITH WATERPROOF HINGED LID.**

**WIDE SECTION PNEUMATIC TYRES, PADDED SADDLE AND NON-SLIP PEDALS.**

**JUNIOR RISE BAR WITH SHORT REACH BRAKE LEVER MAKES STEERING AND CONTROL EASY.**

**COLOUR: MOUNTAIN BLUE AND WARM WHITE.**

**INSIDE LEG: 17"-21".**

**PROBABLE RIDING AGE: 4-7.**







## Wolf Cub

**PUSH-BUTTON 3-TONE SOUND GENERATOR WITH FLASHING LIGHTS FOR HOURS OF FUN.**

**HI-TECH STREAMLINED TOP TUBE FAIRING AND FRONT MUDGUARD.**

**TOUGH BLACK MAG WHEELS WITH CHUNKY TYRES.**

**COMFORTABLE DEEP FOAM SADDLE.**

**COLOUR: FLAME RED.**

**INSIDE LEG: 15"-19".**

**PROBABLE RIDING AGE: 3-5.**



## Jungle

**IRRESISTIBLE JUNGLE CHARACTER GRAPHICS AND COLOUR FINISH.**

**TOUGH MINI MOUNTAIN BIKE STYLE FRAME AND FORK FOR A STURDY, STYLISH BIKE.**

**RAISED HANDLEBAR GIVES IMPROVED COMFORT AND CONTROL.**

**COLOUR: NEON GREEN VAPOUR.**

**INSIDE LEG: 14"-18"**

**PROBABLE RIDING AGE: 2 1/2-5.**

## Poppet

**CUSTOM-DESIGNED DOLLY CARRIER (COMPLETE WITH DOLLY'S SEAT BELT) GIVES EXTRA FUN VALUE.**

**FULLY ENCLOSED CHAINGUARD, RAISED HANDLEBAR AND SHORT REACH BRAKE LEVER PROMOTE SAFETY AND CONTROL.**

**SADDLE AND HANDLEBAR ADJUSTMENT GIVES 4" OF GROWTH.**

**COLOUR: LILAC.**

**INSIDE LEG: 14"-18".**

**PROBABLE RIDING AGE: 2 1/2-5.**



## Hopper

**STURDY LOW STEP-OVER FRAME WITH DETACHABLE STABILISERS.**

**WIDE SECTION PNEUMATIC TYRES AND PADDED SADDLE FOR CUSHIONED RIDING.**

**NON-SLIP RUBBER PEDALS GIVE EXTRA GRIP.**

**FULLY ADJUSTABLE SADDLE AND HANDLEBAR FOR GROWTH.**

**COLOUR: DEEP PURPLE.**

**INSIDE LEG: 14"-18".**

**PROBABLE RIDING AGE: 2 1/2-5.**



## Teddy Trio

**STURDY, LOW STEP-OVER FRAME WITH INTEGRAL STEERING STOP FOR STABLE RIDING.**

**WIDE MOULDED SEAT WITH ENCLOSED BACKRAIL FOR BALANCE AND FULL SUPPORT.**

**WIDE, CHUNKY WHEELS WITH GROOVED CENTRE TREAD FOR EXTRA GRIP.**

**COLOUR: BLUE WITH RED AND YELLOW CONTRASTS.**

**INSIDE LEG: 11"-13".**

**PROBABLE RIDING AGE: 1 1/2-3.**



## Trio

**ROBUST TUBULAR STEEL FRAME WITH INTEGRAL FOOTPLATE FOR ADDED FUN.**

**BIG MOULDED SEAT FOR COMFORT AND GROWTH PLUS BUILT-IN "CARRY HANDLE" FOR PARENTS.**

**WIDE FRONT MUDGUARD PROTECTS FROM OUTDOOR SPLASHES.**

**INTERNAL STEERING STOP GIVES ADDED CONTROL.**

**COLOUR: YELLOW WITH BLUE CONTRASTS.**

**INSIDE LEG: 14"-16".**

**PROBABLE RIDING AGE: 2 1/2-4.**



## Tipper Daisy

**EASY TO USE TIPPING BIN GIVES LOTS OF EXTRA PLAY VALUE.**

**COMPACT FRAME DESIGN WITH STEERING STOP IMPROVES MODEL STABILITY.**

**LONG MOULDED SEAT MAINTAINS COMFORT AND ALLOWS FOR GROWTH.**

**COLOUR: BLUE WITH RED AND YELLOW CONTRASTS.**

**INSIDE LEG: 12"-14".**

**PROBABLE RIDING AGE: 1 1/2-3.**



## Daisy

**SOFT MINT GREEN FINISH WITH DAISY TRANSFERS FOR THE PRETTIEST TRIKE AROUND.**

**HANDY FRONT BASKET ADDS PLAY VALUE AND GOOD LOOKS.**

**ADJUSTABLE MOULDED SEAT GIVES UP TO 3" OF GROWTH POTENTIAL.**

**INTERNAL STEERING STOP IMPROVES CONTROL.**

**COLOUR: MINT GREEN.**

**INSIDE LEG: 15"-18".**

**PROBABLE RIDING AGE: 3-5.**



Raleigh Trikes are expertly designed in Nottingham and manufactured to the highest standards in Italy.





## THE RALEIGH GUARANTEE

ALL RALEIGH BIKES CONFORM TO BS6102 (BRITISH STANDARD FOR BICYCLES). THEY ARE SO WELL CONSTRUCTED, WE GUARANTEE THE FRAMES AND NON-SUSPENSION FORKS FOR A FULL 15 YEARS (TRIKES ONE YEAR) AND ALL OUR BIKES CARRY A ONE YEAR PARTS WARRANTY. THE RALEIGH "SYNCHRO-SHOCK" FORK SYSTEM IS GUARANTEED FOR TWO YEARS. ROCK SHOX FORKS ARE GUARANTEED FOR ONE YEAR. SEE YOUR RALEIGH BICYCLE GUIDE FOR DETAILS. MANY OF OUR STOCKISTS CAN NOW OFFER "EXTRA COVER," AN EXTENDED WARRANTY ON RALEIGH PRODUCTS, GIVING YOU EXTRA PEACE OF MIND AND CONTINUED WORRY-FREE CYCLING. FOR MORE INFORMATION ON "EXTRA COVER," OR ANY WARRANTY QUERIES ON RALEIGH PRODUCTS, CALL 0602 420202 EXT 3098 (SOUTH) OR 3099 (NORTH).

## THE RALEIGH CYCLE PROTECTION REGISTER

TO HELP YOU SHOULD YOU BE UNFORTUNATE ENOUGH TO HAVE YOUR BIKE STOLEN, RALEIGH CAN REGISTER YOUR NEW BIKE, FREE, ON OUR UNIQUE CUSTOMER COMPUTER. YOU HAVE A MUCH BETTER CHANCE OF RECOVERING IT IF YOU HAVE RECORDED THE FRAME NUMBER AND ITS SPECIFICATIONS FOR EASE OF IDENTIFICATION. SEE YOUR RALEIGH BICYCLE GUIDE FOR DETAILS.

## SIZE INFORMATION

THE NOMINAL FRAME SIZE IS THE MEASUREMENT FROM THE TOP OF THE SEAT TUBE (WHERE THE SADDLE PIN FITS INTO THE FRAME) DOWN TO THE CENTRE OF THE BOTTOM BRACKET AXLE (THE AXLE WHICH CARRIES THE PEDAL CRANKS). WITH THE CORRECT FRAME SIZE, YOU SHOULD BE ABLE TO SIT ON THE SADDLE AND JUST TOUCH THE GROUND ON EITHER SIDE, BUT YOU MUST BE ABLE TO REACH THE HANDLEBARS COMFORTABLY. IT IS SOMETIMES WORTH CONSIDERING A SMALLER FRAME WITH THE SADDLE SLIGHTLY RAISED IN ORDER TO OBTAIN A MORE COMFORTABLE REACH. THE SIZING CHARTS SHOWN ON THIS PAGE GIVE A GUIDE TO FRAME SIZES AGAINST INSIDE LEG MEASUREMENTS. WE RECOMMEND, HOWEVER, THAT ALL BICYCLES ARE TRIED FOR SIZE BEFORE PURCHASE.

## SIZING CHARTS

### PIONEER ELITE

FRAME SIZE	INSIDE LEG RANGE
17"	26-32"
19"	28-34"
21"	30-36"

### PIONEER

FRAME SIZE	INSIDE LEG RANGE	
	MENS	LADIES
18"	-	28-32"
19 1/2"	29-33"	-
20"	-	30-34"
21"	30-34"	-
22"	-	32-36"
23 1/2"	33-37"	-

### RACE BIKES

FRAME SIZE	INSIDE LEG RANGE
21"	29-33"
23 1/2"	32-36"
25"	34-38"

### CITY BIKES

FRAME SIZE	INSIDE LEG RANGE	
	MENS	LADIES
18"	-	26-30"
19 1/2"	-	27-31"
21"	29-33"	29-33"
23 1/2"	32-36"	-
25"	34-38"	-

### MOUNTAIN BIKES (OFF ROAD SERIES, KALAHARI, AMAZON G & L)

FRAME SIZE	INSIDE LEG RANGE	
	MENS	LADIES
15 1/2"	25-31"	-
17"	26-32"	26-31"
19"	28-34"	28-33"
21"	30-36"	30-35"
23"	32-38"	-

### MOUNTAIN BIKES (ALL OTHER)

FRAME SIZE	INSIDE LEG RANGE	
	MENS	LADIES
14"	23-28"	23-28"
16"	25-30"	25-30"
18"	27-32"	27-31"
19 1/2"	28-34"	-
20"	-	29-33"
21"	30-36"	-
23"	32-38"	-

## ADDITIONAL PRODUCT INFORMATION AND GLOSSARY OF TERMS

### GEARS

GEARS ARE USED TO REDUCE THE EFFORT REQUIRED TO PEDAL. STURMEY ARCHER HUB GEARS ARE EASY TO USE AND VIRTUALLY MAINTENANCE FREE. WHERE A WIDER RANGE OF GEARS OR PERFORMANCE IS REQUIRED, THERE ARE DERAILLEUR GEARS WHICH PROVIDE BETWEEN 5 AND 21 GEARS TO COPE WITH A VARIETY OF TERRAINS. RALEIGH BIKES USE ONLY INDEXED DERAILLEUR GEARS WHICH PROVIDE GREATER EASE, SPEED AND ACCURACY WHEN CHANGING GEAR.

### HANDLEBARS

RALEIGH OFFER YOU A CHOICE OF HANDLEBAR STYLES. THE SPORTY 'DROP' HANDLEBARS ON RACERS ENABLE THE RIDER TO ADOPT A LOW HAND POSITION AT SPEED OR A HIGH GRIP FOR CLIMBING HILLS. A SLIGHTLY RAISED BAR ON SOME PIONEERS, CITY BIKES AND MANY CHILDREN'S BIKES ENABLES THE RIDER TO RIDE IN A MORE COMFORTABLE UPRIGHT POSITION. A FLATTER MOUNTAIN BIKE STYLE BAR OFFERS A MORE RESPONSIVE RIDING POSITION OVER A VARIETY OF TERRAINS.

### INDEX GEARING SYSTEM

WHEN CHANGING GEAR THE LEVER WILL CLICK AND THE CHAIN WILL MOVE INTO THE DESIRED POSITION ON THE REAR GEARING SPROCKET WITHOUT THE NEED TO 'FEEL' FOR THE RIGHT GEAR.

### STI SHIFTING

STANDS FOR SHIMANO TOTAL INTEGRATION AND IN SIMPLE TERMS MEANS THAT WHEN CHANGING GEAR THE CHAIN WILL MOVE SMOOTHLY AND EFFICIENTLY ACROSS THE SPROCKETS AT THE REAR AND THE CHAINSET AT THE FRONT. THIS IS DUE TO THE UNIQUE 'FIT' BETWEEN THE SHIMANO COMPONENT PARTS.

### SHIMANO "RIDE-LIGHT" COMPONENTRY

RELATES TO THE TWO FOLLOWING SHIMANO FEATURES WHICH TOGETHER GIVE MORE EFFICIENT AND EFFECTIVE CYCLING:

- DUAL SIS - WHERE THE FRONT DERAILLEUR WORKS VIA INDEX GEARING. COMBINING WITH THE UNIQUELY DESIGNED CHAINRINGS TO GIVE A FAST AND SMOOTH CHANGE ON THE FRONT GEAR.

- "MULTI-CONDITION" BRAKES - AN IMPROVED DESIGN CANTILEVER BRAKE GIVING BETTER BRAKING PERFORMANCE, ESPECIALLY IN THE WET.

### RAPID FIRE SHIFTERS

THE UNDER HANDLEBAR MOUNTED GEAR LEVERS THAT ENABLE A RIDER TO CHANGE GEAR (BY SIMPLE THUMB MOVEMENTS) WHILE KEEPING A FIRM GRIP ON THE HANDLEBAR.

### RAPID FIRE PLUS

ERGONOMICALLY AN IMPROVED GEAR SHIFTING SYSTEM, ALLOWING THE RIDER TO UP-SHIFT WITH THE THUMB, AND DOWN-SHIFT WITH THE INDEX FINGER.

### BUTTED FRAME TUBING

WHERE THE THICKNESS (OR GAUGE) OF A LENGTH OF FRAME TUBING IS GREATER AT EACH END TO PROVIDE STRENGTH, BECAUSE THIS IS THE AREA OF MAXIMUM STRESS, AND THINNER IN THE MID-SECTION FOR LIGHTNESS.

### ENERGISER SEAT STAYS

THE SEAT STAY PROFILE GIVES EXTRA REAR FRAME TRIANGLE STRENGTH AND STIFFER, FLEX-FREE BRAKING.

### POWER BLADE FORKS

THE FORK BLADE DESIGN GIVES UPPER FORK STRENGTH AND POWER, WITH LOWER FORK FLEX FOR IMPROVED SHOCK ABSORPTION AND A MORE COMFORTABLE RIDE.

### ENSEMBLE

A COLLECTION OF COMPONENTS FROM A DESIGNATED GROUP BY THE SAME SUPPLIER, FOR INSTANCE THE SHIMANO DEORE LX - BRAKES, GEARS AND CHAINSET. SUCH A COLLECTION OF COMPONENTS HAVE BEEN DESIGNED TO WORK EFFICIENTLY AND EFFECTIVELY TOGETHER.





## PARTS & ACCESSORIES

As well as the best bikes, Raleigh provides you with a comprehensive range of bicycle parts and accessories.

A full range of products covering the function and fashion of cycling as well as genuine Raleigh spares for general maintenance. Products that can not only upgrade the technology of your bike to extend your cycling pleasure, but also ensure you're the best equipped and most stylish biker on-road or off-road.

All our products are designed, tested and selected to provide quality, reliability and value for money.

Our own Team Raleigh, the UK's number one mountain bike team, test many of our new design innovations and ideas.

Whether it be the Titanium componentry developed and built by our Special Products Division or the performance of products selected to our precise and exacting specifications from the world's leading branded manufacturers.

Names like Shimano, Diadora shoes,

Ciclomaster cycle computers, Graber racks, Santini clothing, Selle Royal saddles and many more are available alongside our own Raleigh branded helmets, leisure wear, bags, panniers and water bottles.

All are quality products, hand picked with that special Raleigh experience for people who ride quality bikes.

To see much more of our comprehensive product range visit your local Raleigh Parts and Accessories stockist.

When you ride the best you deserve the best.



## Shoes

DIADORA SHOES DESIGNED AND STYLED FOR THE DISCERNING CYCLIST



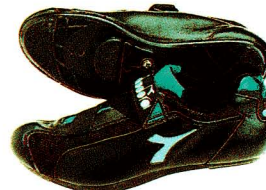
### ZOOM

CARBON FIBRE/KEVLAR POWER DRIVE SOLE. LOOK PEDAL COMPATIBLE



### SELECTA

POWER DRIVE SOLE. LOOK PEDAL COMPATIBLE



### SAN REMO

POWER DRIVE AND LOOK PEDAL COMPATIBLE



### SUMMIT

MTB SHOE. SPD COMPATIBLE.



### X TERRA

MTB BOOT. SPD COMPATIBLE.



### CICLOTURISMO

PERFORATED LEATHER UPPER



## Pedals

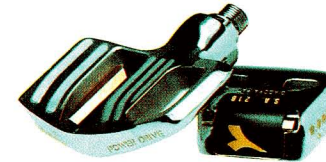
POWER DRIVE BY DIADORA, A SYSTEM AVAILABLE TODAY WITH THE FEATURES OF TOMORROW.

THE CURRENT GENERATION OF CLIPLESS PEDALS FEATURE SURFACES OF CONTACT WITH THE SHOE THAT ARE COMPLETELY FLAT. DIADORA RECOGNISE THE SHAPE OF THE FOOT IS NOT FLAT AND HAVE DEVELOPED AND PATENTED "POWER DRIVE", THE FIRST ANATOMICAL PEDAL IN THE WORLD.

THE PEDAL FORCE OBTAINED WHILE USING THE POWER DRIVE PEDAL/SHOE COMBINATION IS SUPERIOR TO ANY PEDAL/SHOE COMBINATIONS AVAILABLE TO CYCLISTS.



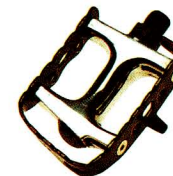
TITANIUM AXLE/MAGNESIUM BODY. WEIGHT: 150 GRAMMES.



STEEL AXLE/MAGNESIUM BODY. WEIGHT: 180 GRAMMES.



STEEL AXLE/ALLOY BODY. WEIGHT: 210 GRAMMES.



DEORE PATTERN



SPD SHIMANO.



SHIMANO

ciclomaster

Santini

Selle Royal

GRÄBER

CHENG SHIN TIRE



## Clothing, Gloves and Sunglasses

CLOTHING TAILORED AND DESIGNED BY SANTINI. BRIGHT, SLEEK AND SPECIALLY CUT FOR SPEED AND COMFORT.



TEAM AND FASHION JERSEYS



SUNGLASSES BY DIADORA.



## Helmets

THE LATEST HELMET DESIGNS FROM RALEIGH OFFER FULL VENTILATION, EASY TO ADJUST QUICK RELEASE NYLON STRAPS AND FULL PROTECTION DEMANDED BY THE STRINGENT ANSI Z90.4 SAFETY STANDARD.



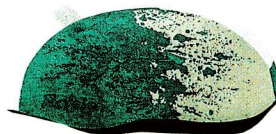
AIR FLOW MICRO SHELL.



ACTIVATOR MICRO SHELL.



MICRO-LITE (ANSI, SNELL SAFETY STANDARD).



SOFT SHELL, ADULT.



SOFT SHELL, JUNIOR (5-9 YEARS).



SOFT SHELL, CHILDS (3-5 YEARS).



MICRO-LITE, INFANT (4 YEARS AND UNDER).

## Computers

CICLOMASTER CYCLE COMPUTERS OFFER A RANGE OF MULTI-FUNCTION CAPABILITIES AND FEATURES, SO YOU CAN CHOOSE THE CICLOMASTER THAT'S RIGHT FOR YOUR CYCLING NEEDS.



6 FUNCTION  
MICROPACER III.



7 FUNCTION  
(BLACK, WHITE OR PINK).



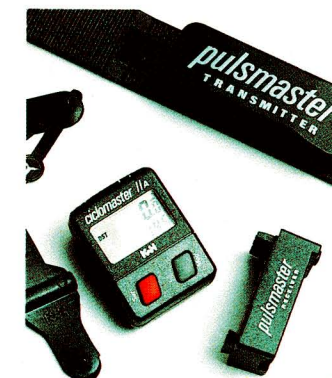
6 FUNCTION  
+ 3 OPTIONAL EXTRAS  
(BLACK, WHITE OR PINK).



6 FUNCTION  
+ 5 OPTIONAL EXTRAS



9 FUNCTION  
+ 3 OPTIONAL EXTRAS.

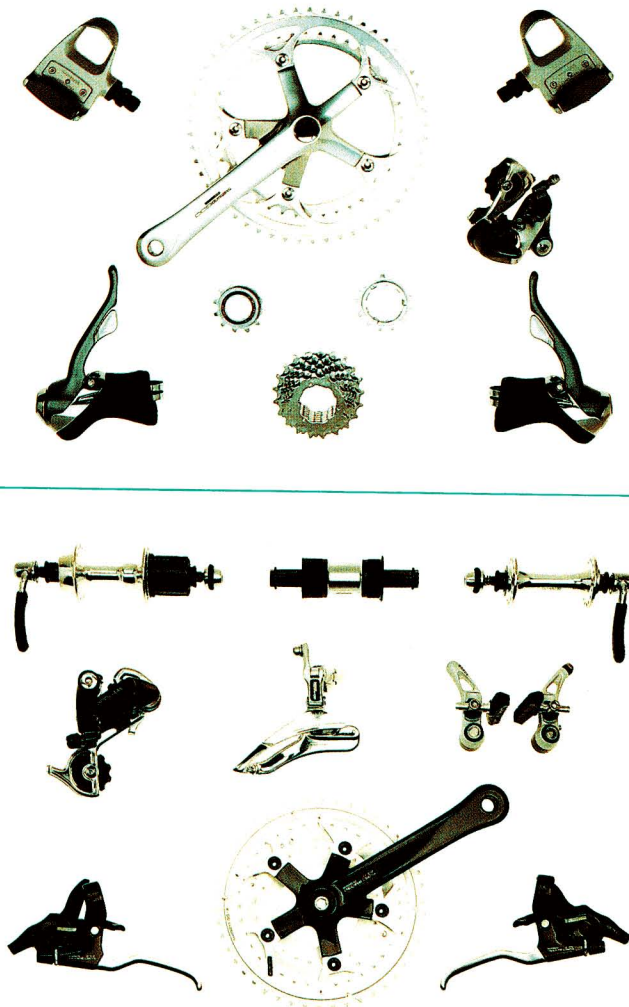


PULSEMASTER SET



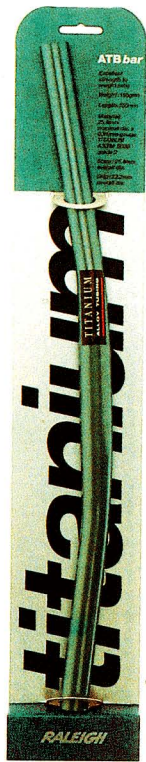
## Shimano Componentry

UPGRADE WITH SHIMANO COMPONENTRY AND FOLLOW THE PROFESSIONALS IN THE WAY YOUR BICYCLE FEELS, RIDES AND OPERATES



## Bars, Bar Ends, Grips and Suspension Forks

TITANIUM AND OTHER SPECIALIST MATERIALS SELECTED FOR YOUR OPTIMUM PERFORMANCE.



REYNOLDS 501 HANDLEBAR



TITANIUM HANDLEBAR FINISHED IN IRIDESCENT RUBY



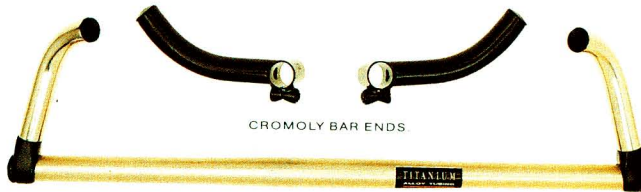
TITANIUM ONE PIECE HANDLEBAR



"SYNCHRO-SHOCK" SUSPENSION FORKS



GRIPS AND GEL BAR END TAPE



CROMOLY BAR ENDS



TITANIUM FINISHED BAR ENDS



## Locks, Lights and Reflectives

RALEIGH RECOGNISE THAT SAFETY AND SECURITY ARE ESSENTIAL TO CYCLISTS. OUR RANGE OF HIGH VISIBILITY PRODUCTS ARE DEVELOPED AND MANUFACTURED IN THE UK USING A SPECIAL FLUORESCENT MICRO-PRISMATIC MATERIAL OFFERING HIGH VISIBILITY ESSENTIAL SAFETY WEAR FOR ALL CYCLISTS.



DYNAMO LIGHTING SET (HALOGEN OR STANDARD)



GRÄBER

CHENG SHIN TIRE

zéfal

Soubitez

WEINMANN

Brooks

Sturmey Archer



SHIMANO

ciclomaster





RALEIGH INDUSTRIES LTD., NOTTINGHAM NG7 2DD, ENGLAND.

ALL THE BICYCLES SHOWN IN THIS CATALOGUE  
ARE AVAILABLE FROM YOUR RALEIGH STOCKIST

**E. H. GAMMANS & SON**

10 Buckingham Road  
SHOREHAM-BY-SEA  
West Sussex. BN43 5UA  
Tel. 0273 452445  
VAT. No. 190 2515 80

COLOURS PRINTED IN THIS CATALOGUE ARE AS NEAR AS POSSIBLE TO  
THE MANUFACTURED RALEIGH PRODUCT. FOR AN ACCURATE  
COMPARISON, WE RECOMMEND YOU SEE THE ACTUAL PRODUCT ON  
DISPLAY AT YOUR RALEIGH STOCKIST.

DUE TO OUR POLICY OF CONTINUAL IMPROVEMENT,  
PRODUCT SPECIFICATION AND APPEARANCE MAY CHANGE WHILE THIS  
CATALOGUE IS STILL IN USE.