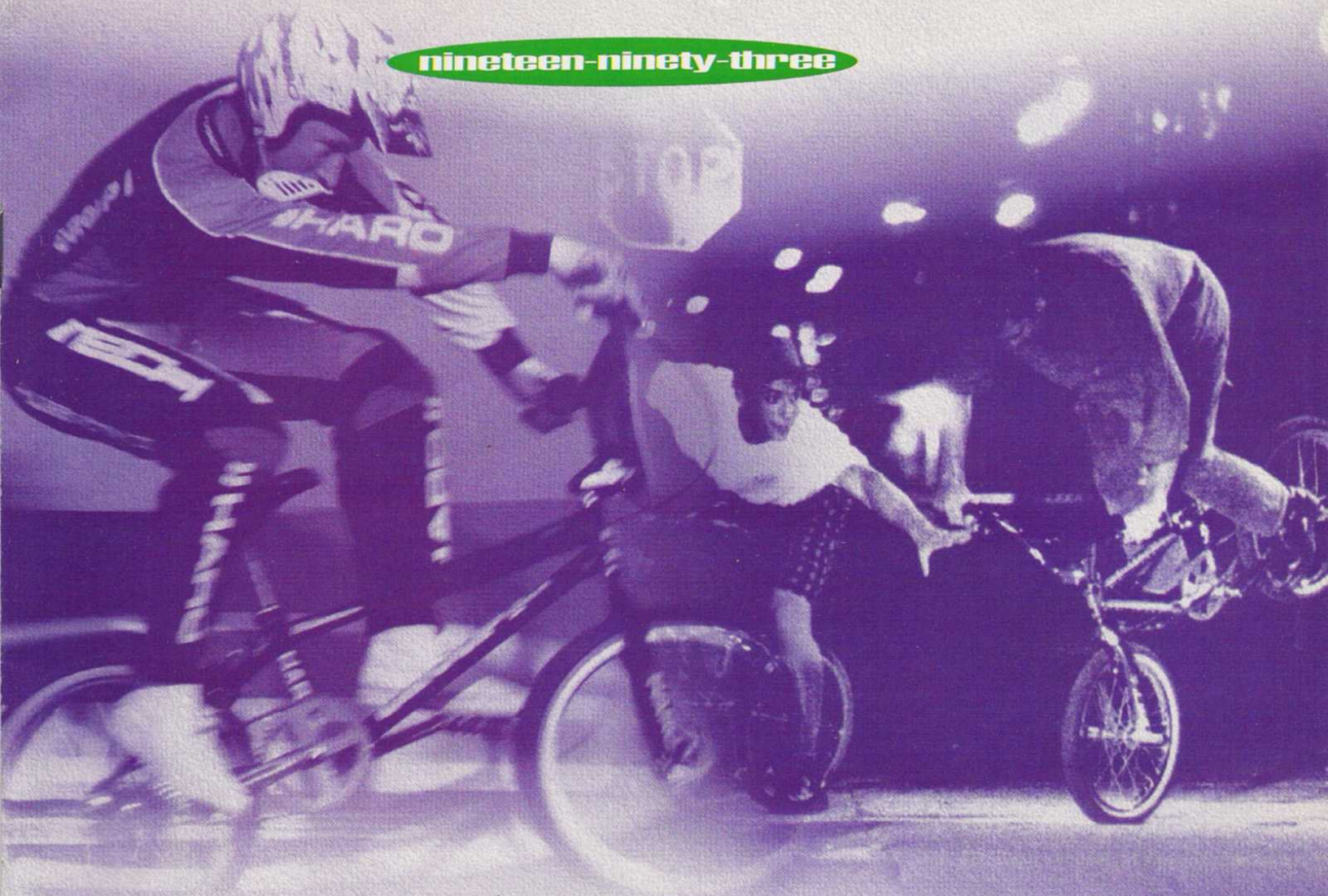


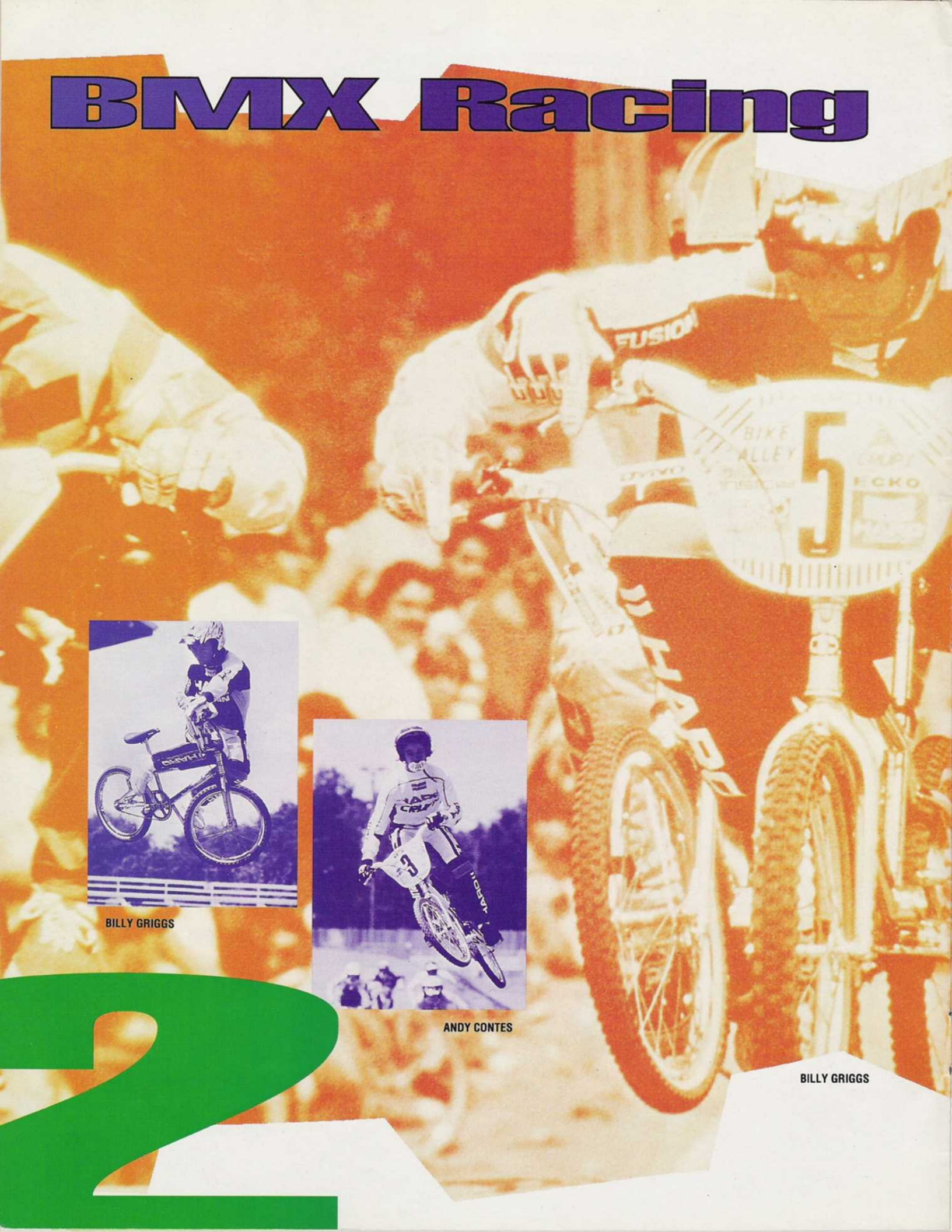
nineteen-ninety-three



*BMX / Freestyle*

B I K E S

# BMIX Racing



BILLY GRIGGS



ANDY CONTES

BILLY GRIGGS



BMX racing is a lot of different things to a lot of different people. But to the other seven guys lined up next to you on the starting gate it means one thing...Anything and everything short of stuffing you over the first berm so they'll transfer to the main. Get a lame snap outta the gate or hesitate to clear the doubles and you're off the back. BMX is all or nothing. Give it your all or you'll get nothing. That's why your best defense is a strong offense...The all-new '93 Haro Group 1's. Face it . When it comes to racing, Haro Group 1's have always slayed all . Remember back in 1986 Pistol Pete Loncarevich and Haro became the first to win all three ABA, NBL and USBA Pro titles? One Haro Group 1. One rider. Three titles. Our competition was bummed.

Then in 1989 and 1990 Mike King and Haro performed the impossible. Back-to-back ABA amateur and Pro titles. Rookie pros aren't supposed to win a pro title the first season out. King did it with style on his Haro Group 1. Then in 1992 Haro pro Billy Griggs pilots his Group 1 to the sport's first ever quadruple, 4 pro class national win. One weekend. Four pro class wins. Very studly. And for '93 things aren't looking a whole lot better for the competition. We've assembled straight up the most wickedly fast, kick-butt, good-time team ever. A team with true Attitude. A team that trains hard, rides clean and demands fresh equipment...The 1993 Haro Group 1 racing machines...All new and redesigned with one purpose...To spank the competition. So don't get caught with your pants down. Get on a Group 1.



MIKE LUNA



NICK THOMSON

# Monocoque

No you're not dreaming...You're just drooling over the wild new Haro Group 1M concept bike. M stands for Monocoque. The definition of monocoque is: a type of construction as of a fuselage or a rocket body in which the outer skin carries all or a major part of the stresses. This little rocket body is Series 7000 aluminum. Frame weight is a hair over three pounds. That's right...Lighter than our lightest thin wall 4130 CRMO Pro Series frames. Or anybody else's 4130 CRMO frames for that matter. Even though we pictured it as a complete bike, we will only be offering it as a VERY limited-production frameset. And even though it has our cool new elastomer suspension fork on it, chances are we'll be equipping it with something even cooler. Now that you have to have a new Group 1 M, be warned...Ultralightweight plus very limited production equals Very Expensive. So start saving. Hey, everybody's gotta have a dream. At Haro we're building 'em.



## Specs

<b>Frame</b>	Haro Racing Series 7000 Aluminum Monocoque	<b>Hub Front</b>	Low Flange Alloy 32H Chrome	<b>Stem</b>	Fusion Aluminum/CRMO Shaft
<b>Fork</b>	Haro Racing	<b>Hub Rear</b>	Low Flange Alloy 32H Chrome	<b>Grips</b>	Haro Kraton
<b>Crank Set</b>	Redline Tubular Chromoly 180mm	<b>Spokes</b>	Stainless 14 Gauge	<b>Saddle</b>	Haro Flite
<b>Sprocket/Spider</b>	Redline Alloy 44T	<b>Tires</b>	Haro Holeshot 20"x1.7" Blackwall	<b>Seat Post</b>	Zoom Oversized CRMO Micro Adjust
<b>Pedals</b>	Odyssey Triple Trap	<b>Rear Brake</b>	Haro Racing Cantilevers	<b>Seat Clamp</b>	Stainless
<b>Freewheel</b>	16T	<b>Brake Levers</b>	Haro XTR	<b>Colors</b>	Metallflake Silver
<b>Rims</b>	Araya RB-17 20"x1.50" Alloy 32H Chrome	<b>Handlebar</b>	Haro Kneesaver 100% CRMO		

The 1993 Group 1 Si racer...100% CRMO maintube frame, tapered fork, seat post, crankset and Kneesaver handlebars. That's a serious amount of CRMO... Translation... The Si is a serious threat on the race track. The only thing it does faster than start is stop. Thanks to its super low-profile rear cantilever brakes. When it does stand still, take a close look at all the little Haro details ... Things like computer-machined aluminum Fusion stem and Unitorque seat clamp, Haro Holeshot racing tires and XL Kraton grips. If you can't win races on an Si, you might think about taking up another sport.

# Group 1 si



BMX's answer to ABS Anti-Lock braking, the awesome, new Haro low-profile cantilevers. Combined with our flex-resistant rear monostay and responsive XTR brake lever, the Si stops faster than any bike on the track. Period.



## Specs

<b>Frame</b>	Haro Racing Chromoly Maintubes
<b>Fork</b>	Haro Oversized CRMO
<b>Crank Set</b>	Odyssey Excalibur 1-pc CRMO 175mm
<b>Sprocket/Spider</b>	Haro Unidirectional Alloy Chaining/Spider 44T
<b>Pedals</b>	Haro Alloy Beartrap
<b>Freewheel</b>	16T
<b>Rims</b>	Haro Racing Alloy 36H

<b>Hub Front</b>	Low Flange Alloy 36H
<b>Hub Rear</b>	Low Flange Alloy 36H
<b>Spokes</b>	14-Gauge UCP
<b>Tires</b>	Haro Holeshot 20"x1.7"
<b>Rear Brake</b>	Haro Racing Cantilevers
<b>Brake Levers</b>	Haro XTR
<b>Handlebar</b>	Haro Racing Kneesaver 100% CRMO

<b>Stem</b>	Fusion Aluminum/CRMO Shaft
<b>Grips</b>	Haro Kraton
<b>Saddle</b>	Haro Plastic
<b>Seat Post</b>	Haro Oversized CRMO 25.4mm
<b>Seat Clamp</b>	Fusion Unitorque Alloy
<b>Colors</b>	Chrome Plate

The Handlebars are pro class favorites... The original Haro Kneesavers: often copied but never duplicated. Lever is the ultralight, ultracool Haro XTR... one feel and you'll never ride another lever. Grips are super sticky Haro logo XL 135mm with plastic crash-resistant end caps.



# Group 1 ci

Are you ready to race? So's our new and radically improved Group 1 Ci. Alloy rims and hubs for rapid gate starts. Haro Holeshot tires for awesome traction. Dia-Compe Bulldog braking. Tapered CRMO forks. Stylish monostay frame. Beefy, oversized seat post. Precision machined-aluminum racing stem. Quick-change Uni-Directional 44T chainring. Just add number plate and race.



Between-race-gear changes are a snap with our Haro Uni-Directional chainring and quick-change 5-bolt spider. Torquing 165mm one-piece crankset transmits power from the pedals to the 36-hole alloy rim and Haro Holeshot tire.

For precision wheel alignment and chain tension you can count on our calibrated Group 1 racing rear dropouts.

## Specs

<b>Frame</b>	Haro Racing CRMO Main Tube	<b>Rims</b>	Haro Racing Alloy 36H	<b>Handlebar</b>	Haro Racing Steel
<b>Fork</b>	Haro Tapered Unicrown CRMO Steerer	<b>Hub Front</b>	Low Flange Alloy 36H	<b>Stem</b>	Fusion Aluminum
<b>Crank Set</b>	1-pc 165mm	<b>Hub Rear</b>	Low Flange Alloy 36H	<b>Grips</b>	Haro Kraton
<b>Sprocket/Spider</b>	Haro Unidirectional Chainring/Spider 44T	<b>Spokes</b>	14-gauge UCP	<b>Saddle</b>	Haro Plastic
<b>Pedals</b>	Resin	<b>Tires</b>	Haro Holeshot 20" x 1.7"	<b>Seat Post</b>	Oversized 25.4mm
<b>Freewheel</b>	16T	<b>Rear Brake</b>	Dia-Compe MX-884Q Bulldog	<b>Seat Clamp</b>	Fusion Unitorque Alloy
		<b>Brake Levers</b>	Dia-Compe MX-122	<b>Colors</b>	Chrome plate, Metallflake Red

The Group 2 is all new for 1993. If you're looking for an all-around BMXer for heavy duty street/dirt potential, this is your ride. Check out the chrome rims and Haro Holeshot tires. Stopping is handled by both rear coaster and Dia-Compe Bulldog caliper. Add Fusion alloy stem, Unitorque seat clamp and Compact Disc Drive System and you're ready to race...or maybe just blaze back and forth to school.

# Group 2



## Specs

<b>Frame</b>	20" Wheel Steel BMX (Boys and Girls Frame Styles)
<b>Fork</b>	Haro Oversized Unicorn Hi-Ten
<b>Crank Set</b>	1-pc 152mm
<b>Sprocket/Spider</b>	Fusion Compact Disc 40T
<b>Pedals</b>	Resin
<b>Freewheel</b>	16T
<b>Rims</b>	20"x1.75" 28H Chrome

<b>Hub Front</b>	Steel 28H Chrome
<b>Hub Rear</b>	Coaster Brake Chrome
<b>Spokes</b>	14-Gauge UCP
<b>Rear Brake</b>	Dia-Compe MX-884 Bulldog
<b>Lever</b>	Dia-Compe MX-122
<b>Tires</b>	Haro Holeshot 20"x1.7"
<b>Handlebar</b>	Haro Steel
<b>Stem</b>	Haro Aluminum

<b>Grips</b>	Haro Kraton
<b>Saddle</b>	Haro Plastic
<b>Seat Post</b>	Haro Oversized Steel 25.4mm Chrome
<b>Seat Post Clamp</b>	Fusion Unitorque Alloy
<b>Colors</b>	Boys: Metallic Blue. Girls: Metallic Raspberry

The Group 2 features full-race seat tube gusset for added strength where you need it. Fusion Unitorque seat clamp supplies awesome clamping power for non-slip grip on hard chrome seat post.



Look for the Strongman badge on every Haro bike as your guarantee of high-quality workmanship and materials. Strength. Quality. Haro tough. Demand it.

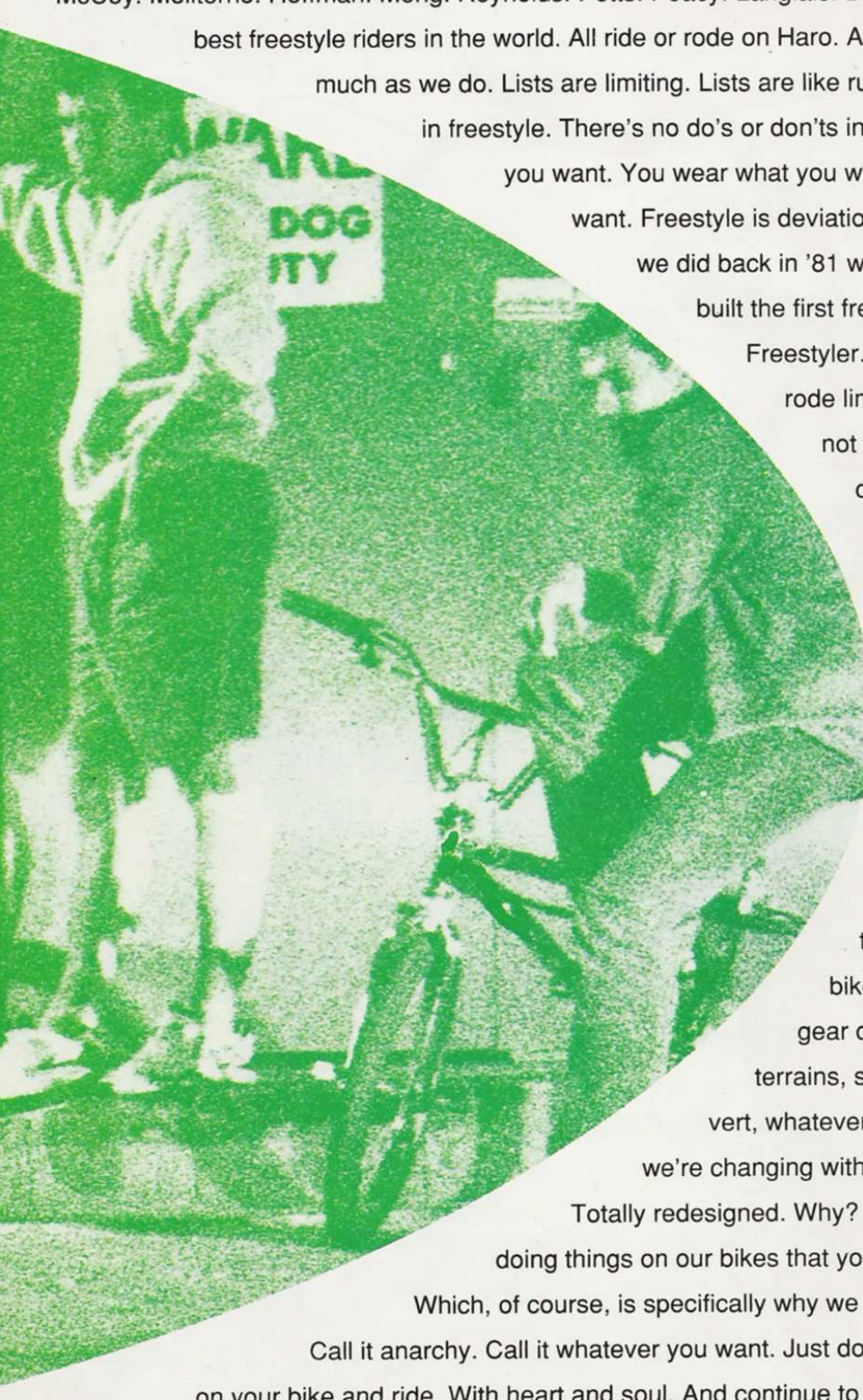


# Freestyle



8





The List is a long one. Haro. Morales. Wilton. Sigur. Fiola. Dominguez. Blyther. Nourie. Wilkerson. McCoy. Moliterno. Hoffman. Meng. Reynolds. Potts. Peacy. Langlais. Bestwick. Wingham. ..The best freestyle riders in the world. All ride or rode on Haro. All probably hate lists as much as we do. Lists are limiting. Lists are like rules. So lists have no place in freestyle. There's no do's or don'ts in freestyle. You ride where you want. You wear what you want. You think what you want. Freestyle is deviation with style...Which is what we did back in '81 when we broke tradition and built the first freestyle bike . Ever. The Haro Freestyler. Before that the bikes we rode limited the way we rode. But not the Freestyler. It opened doors and previously unridable terrains to a whole new type of riding. For 1993 the revolution continues. Haro is in-your-face with some styley new hardware. Not some here-today-gone-tomorrow garage bike company slag...We're talking truly dope stuff. Real bikes for real men. Soulful new gear designed for raging all terrains, street, ramp, park, flatland, vert, whatever. The sport is changing and we're changing with it . Check out our new line. Totally redesigned. Why? We had to. Today we're doing things on our bikes that you're really not supposed to. Which, of course, is specifically why we do them. Call it rebellion. Call it anarchy. Call it whatever you want. Just don't try to figure it out. Just get on your bike and ride. With heart and soul. And continue to ride hard and often and chances are you'll make The List. Then you can tear it up and throw it away. Ride on.

# Master

All new for 1993. 100% CRMO Megatube construction. Designed to be straight up the absolute ultimate flatland freestyle bike. Ever. Classic twin top tube design. Massive double-butted 50mm/2" downtube. Oversized 25.4mm/1" seatpost. Beefy 5mm dropouts. Original Master geometry...the ultimate for flatland. Chrome Peregrine 48 wheels. Dia-Compe Nippon 883/AD 990 U-brake. Odyssey Excalibur CRMO cranks and Gyro. Fusion stem, Uitorque seat clamp, DX pedals, pegs, Kashimax saddle and Compact Disc Drive System. Haro Multisurface tires, Kneesaver bars and sticky Kraton grips. If flatland is your gig, the Master is your ride.

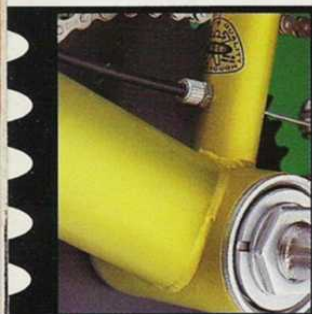


Dia-Compe 883 Nippon front brake. Combined with Dia-Compe AD 990 U-brake in the rear and chrome-plated rims, the 1993 Master has burly stopping power plus.



Master forks: 100% CRMO. Clean internal peg bosses. Beefy 5mm dropouts. Fusion CRMO fork pegs. Precision bearing 48-hole alloy hub.

We've custom butted our massive Megatube so its wall thickness is thicker on the ends and thinner wall in the center of the tube. This makes for a super-strong weld at the bottom bracket and headtube while keeping the tubing weight to a minimum. And talk about frame stiffness...Check out the huge weld surface area of our stout 50mm/2" downtube.



## Specs

<b>Frame</b>	Haro Master Megatube 100% CRMO	<b>Hub Front</b>	Low Flange Alloy Sealed 48H	<b>Handlebar</b>	Haro Freestyle Kneesaver 100% CRMO
<b>Fork</b>	Haro Master 100% CRMO w/Peg Mounts	<b>Hub Rear</b>	Low Flange Alloy Sealed 48H	<b>Stem</b>	Fusion Aluminum
<b>Crank Set</b>	Odyssey Excalibur 1-pc CRMO 175mm	<b>Spokes</b>	Stainless 14 Gauge	<b>Grips</b>	Haro Kraton
<b>Sprocket/Spider</b>	Fusion Compact Disc Alloy 44T	<b>Tires</b>	Haro Multisurface 20"x1.75"	<b>Saddle</b>	Fusion Kashimax Plastic
<b>Pedals</b>	Fusion DX Alloy	<b>Front Brake</b>	Dia-Compe FS-883 Nippon	<b>Seat Post</b>	Haro Oversized Lay-back CRMO 25.4mm
<b>Freewheel</b>	16T	<b>Rear Brake</b>	Dia-Compe 990 U-Brake	<b>Seat Clamp</b>	Fusion Uitorque Alloy
<b>Rims</b>	Ukai Equalizer HP-48 Alloy 48H Chrome Plated	<b>Brake Levers</b>	Dia-Compe MX-77 w/Odyssey Gyro Cable Detangler	<b>Pegs</b>	Haro Master CRMO
				<b>Colors</b>	Metallflake Gold

The One. The Only. The Sport. Designed for streetstylers and vertmen. Refined for '93. 100% CRMO frame and fork. Beefy 25.4mm/1" seatpost. Fat 5mm dropouts. Classic street/vert geometry. Replaceable high-impact nylon bashguard. Replaceable nylon-sleeved Air Master footpegs. Legendary Kneesaver bars. Fusion Compact Disc Drive System and computer-machined solid aluminum billet stem. Alloy 48-hole wheels. Dia-Compe Bulldog braking. Odyssey Gyro and CRMO Excalibur cranks. Haro Multisurface tires, XL Kraton grips.

# Sport

The overwhelming choice of Freestylers worldwide...Haro Kneesaver bars. Refined for '93. Flatter bend. Reshaped slant end cap. 110% CRMO. Fusion stem...computer machined from a solid billet of aluminum. CRMO shaft. CRMO hollow bolt. Odyssey Gyro cable detangler.

Classic Sport two-into-one top tube design. New for '93 is oversized 25.4mm/1" seatpost for greater durability. Fusion Unitorque seatpost clamp: lightweight design, heavyweight clamping power.



## Specs

<b>Frame</b>	Haro Sport w/Integrated Nylon Bashguard 100% CRMO
<b>Fork</b>	Haro Sport 100% CRMO w/Peg Mounts
<b>Crank Set</b>	Odyssey Excalibur 1-pc CRMO 175mm
<b>Sprocket/Spider</b>	Fusion Compact Disc 44T Alloy
<b>Pedals</b>	Fusion DX Alloy
<b>Freewheel</b>	16T
<b>Rims</b>	Haro Alloy 48H

<b>Hub Front</b>	Low Flange Alloy 48H
<b>Hub Rear</b>	Low Flange Alloy 48H
<b>Spokes</b>	14-Gauge UCP
<b>Tires</b>	Haro Multisurface 20"x1.75"
<b>Front Brake</b>	Dia-Compe 884Q Bulldog
<b>Rear Brake</b>	Dia-Compe 884Q Bulldog
<b>Brake Levers</b>	Dia-Compe MX-122
<b>Handlebar</b>	Haro Freestyle Kneesaver 100% CRMO

<b>Stem</b>	Fusion Aluminum/CRMO Shaft
<b>Grips</b>	Haro Kraton
<b>Saddle</b>	Haro Plastic
<b>Seat Post</b>	Haro Oversized Layback CRMO 25.4mm
<b>Seat Clamp</b>	Fusion Unitorque Alloy
<b>Pegs</b>	Haro Air Master CRMO/Plastic Sleeve
<b>Bashguard</b>	Haro Replaceable High-Impact Plastic
<b>Colors</b>	Metalfloke Green

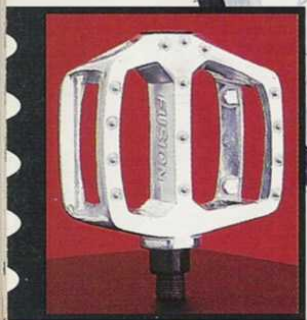
Haro Air Master pegs. Available in two styles: Fork and axle. 100% CRMO axle. Replaceable nylon sleeves for fast predictable grinds on concrete, coping, railings, whatever. When you wear one side out, simply flip the sleeve over and grind on.



# Shredder F/S

Shredder F/S. Not your normal BMX bike. F/S stands for front suspension. ...Space-age shock-absorbing elastomer bumpers that help take the edge off rough trails and washboard tracks. Add all-new Megatube CRMO frame, alloy wheels, Haro Holeshot knobby tires, Dia-Compe Bulldog braking, Fusion Disc Drive System, DX pedals and computer-machined aluminum stem and you're ready to rage.

The Key to the plus F/S ride... Shock-absorbing elastomer bumpers. They're clean, simple and amazingly effective. The F/S lets you rip it up without feeling like you got ripped up.



Fusion DX pedal. The Shape when it comes to the Pro's choice in pedals. Precision cast alloy design. CRMO shaft. Fourteen gnarly traction nubs cause your shoe to stick like glue.

## Specs

<b>Frame</b>	Haro Megatube CRMO Maintubes	<b>Hub Front</b>	Low Flange Alloy 36H	<b>Brake Levers</b>	Dia-Compe 122
<b>Fork</b>	Haro Elastomer Suspension Fork	<b>Hub Rear</b>	Low Flange Alloy 36H	<b>Handlebar</b>	Haro CRMO
<b>Crank Set</b>	1-pc CRMO 165mm	<b>Spokes</b>	14-Gauge UCP	<b>Stem</b>	Fusion Aluminum
<b>Sprocket/Spider</b>	Fusion Compact Disc 44T	<b>Tires</b>	Haro Holeshot 20"x1.7"	<b>Grips</b>	Haro Kraton
<b>Pedals</b>	Resin			<b>Saddle</b>	Haro Plastic
<b>Freewheel</b>	16T			<b>Seat Post</b>	Haro Oversized 25.4mm
<b>Rims</b>	Haro Alloy 36H	<b>Rear Brake</b>	Dia-Compe MX- 884Q Bulldog	<b>Seat Clamp</b>	Fusion Unitorque Alloy
				<b>Colors</b>	Metallflake Red

# 12

Shredder. We totally redesigned our popular street styler for '93. We started with an all-new, manly Megatube frame with massive 50.8mm/2" downtube, 25.4mm/1" seatpost and 5mm dropouts. We bolted on Fusion machined billet alloy stem, Dia-Compe Bulldog braking front and rear, alloy hubs and rims with Haro Multisurface tires. The result is one of the most versatile, most fun bikes we've ever built. If you're into streetstyle thrashin', our new Shredder is the ride you've been waiting for. Wait no more...Shred.

# Shredder



## Specs

<b>Frame</b>	Haro Megatube CRMO Main Tubes
<b>Fork</b>	Haro Oversized Unicrown CRMO Steerer
<b>Crank Set</b>	1-pc CRMO 165mm
<b>Sprocket/Spider</b>	Fusion Compact Disc 44T
<b>Pedals</b>	Resin
<b>Freewheel</b>	16T
<b>Rims</b>	Haro Alloy 36H

<b>Hub Front</b>	Low Flange Alloy 36H
<b>Hub Rear</b>	Low Flange Alloy 36H
<b>Spokes</b>	14-Gauge UCP
<b>Tires</b>	Haro Multisurface 20"x1.75"
<b>Front Brake</b>	Dia-Compe MX- 884Q Bulldog
<b>Rear Brake</b>	Dia-Compe MX- 884Q Bulldog

<b>Brake Levers</b>	Dia-Compe MX-122
<b>Handlebar</b>	Haro CRMO
<b>Stem</b>	Fusion Aluminum
<b>Grips</b>	Haro Kraton
<b>Saddle</b>	Haro Plastic
<b>Seat Post</b>	Haro Oversized Layback 25.4mm
<b>Seat Clamp</b>	Fusion Unitorque Alloy
<b>Colors</b>	Metallflake Blue, Metallic Black



Huge. Massive. Ultra strong...The 50.8mm/2" Megatube downtube. We've custom butted this tube to be thicker wall at the weld joints, thin wall in the center for lightweight.

# Aggro

Aggro. All new for '93. Massive Megatube frame. Tapered forks. Oversized 25.4mm seat post. Precision-machined aluminum billet stem. Dia-Compe Bulldog braking. Holeshot racing tires. Fusion Compact Disc Drive System. Ultra low-profile 20" ground to top tube standover height.



Aggro Megatube. In-your-face strength. Outta-your-way, low-profile top tube. The lowest standover height of any full-sized BMX machine.



Fusion precision-machined aluminum billet stem. Low-profile motocross handlebars.



## Specs



<b>Frame</b>	20" Wheel Megatube Low-Profile Hi-Tensile Steel	<b>Rims</b>	28H Chrome	<b>Handlebar</b>	Haro Steel
<b>Fork</b>	Haro Tapered Unicrown Hi-Tensile Steel	<b>Hub Front</b>	Low Flange Steel 28H Chrome	<b>Stem</b>	Fusion Aluminum
<b>Crank Set</b>	1-pc 152mm	<b>Hub Rear</b>	Low Flange Steel 28H Chrome	<b>Grips</b>	Haro Kraton
<b>Sprocket/Spider</b>	Fusion CD Steel 40T	<b>Spokes</b>	14-Gauge UCP	<b>Saddle</b>	Haro Plastic
<b>Pedals</b>	Resin	<b>Tires</b>	Haro Holeshot 20"x1.7"	<b>Seat Post</b>	Oversized Steel 25.4mm Chrome
<b>Freewheel</b>	16T	<b>Rear Brake</b>	Dia-Compe MX-884Q Bulldog	<b>Seat Post Clamp</b>	Fusion Alloy
		<b>Brake Levers</b>	Dia-Compe MX-122	<b>Colors</b>	Metallflake Green/ Black Fade, Metallic White

Blade racing handlebars



Kneesaver freestyle handlebars



# Parts & Accessories



Fusion one-piece chromoly crankset



Air Master freestyle fork

Fusion Unitorque seat clamp



Fusion TwinTorc seat clamp



Fusion plastic saddle



Sport bashguard



Fusion machined aluminum/crmo stem



Multisurface freestyle tire



Fusion wheels



Holeshot racing tire

Mouthguard



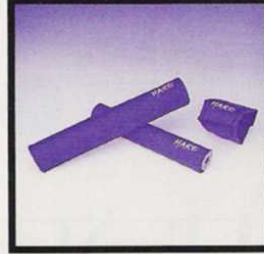
Flo Panel number plate



Kraton XL grips



Race pad set



Haro racing saddle



Fusion Compact Disc Drive sprocket



Fusion DX alloy pedals



Neoprene gloves



Cotton gloves



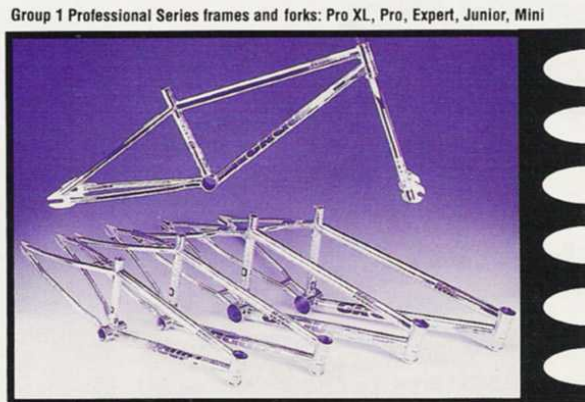
Race jersey



Fusion alloy axle extenders



Air Master pegs

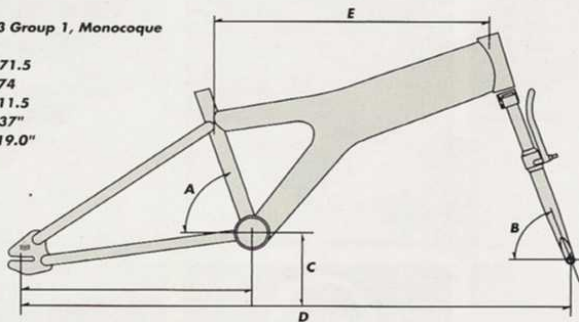


Group 1 Professional Series frames and forks: Pro XL, Pro, Expert, Junior, Mini

# '93 Frames

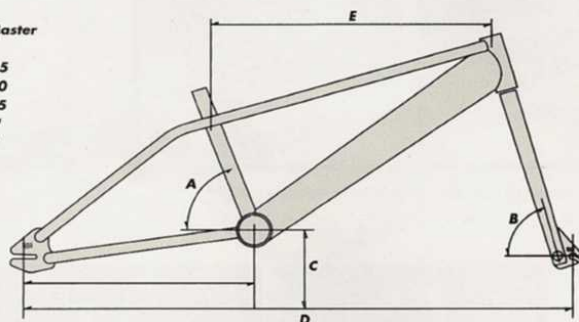
'93 Group 1, Monocoque

- A 71.5
- B 74
- C 11.5
- D 37"
- E 19.0"



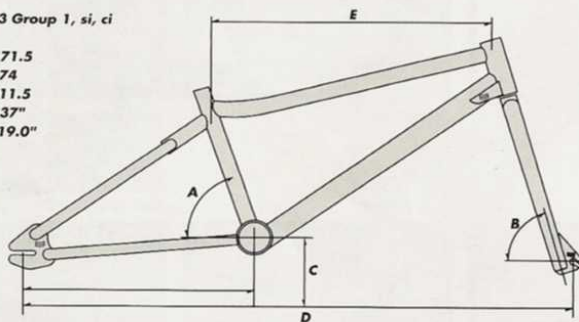
'93 Master

- A 70.5
- B 74.0
- C 11.5
- D 37"
- E 19"



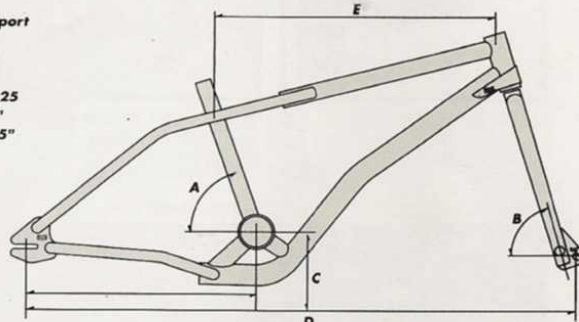
'93 Group 1, si, ci

- A 71.5
- B 74
- C 11.5
- D 37"
- E 19.0"



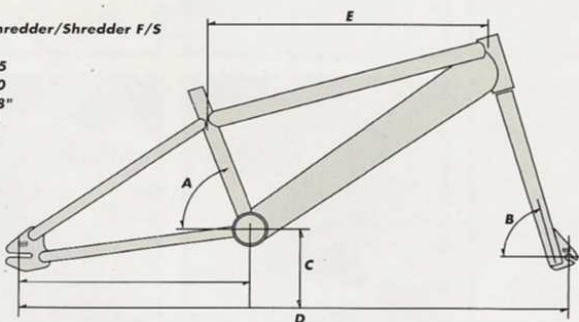
'93 Sport

- A 70
- B 71
- C 11.25
- D 37"
- E 19.5"



'93 Shredder/Shredder F/S

- A 70.5
- B 74.0
- C 11.8"
- D 37"
- E 19"



All specifications subject to change without notice.  
C.P.S.C. EQUIPMENT INCLUDED BUT NOT SHOWN.

All 1993 HARO bicycles are covered by a limited Lifetime Warranty.  
See your local dealer for details.

©1992 Haro. A division of Derby Cycle Corp.



2225 Faraday Avenue, Suite A  
Carlsbad, CA 92009  
(619) 438-4812

## Export Distributer List

- Scandinavia** • HALLMAN DISTRIBUTION, Sweden
- SYKKELDELISK, Norway • HELSINGIN, Finland
- SPORT BIKE, Denmark • **Europe** • HAJO'S, Germany
- CHRIS SPORT STYSTEM, Switzerland • KOKKE SPORT, Netherlands
- SPONSOR S.P.A., Italy • ESPAMOTO, Spain
- ADOLFO SUANES S.A., Canary Islands
- SHINER, England
- ARROW PRESTIGE CYCLES, France
- GATSOU LIS BROS. & CO., Greece • OUTLOOK, Austria
- Pacific** • MOTOCROSS INTERNATIONAL, LTD., Japan
- CHUNG YUNG CYCLE, Hong Kong • THONG CHUAN, Singapore
- PROGRESS MARKETING LIMITED, New Zealand
- REPCO CYCLE, Australia • **Canada** • SHIELDS INTERTRADE, Canada
- Mexico** • GRUPO SCANDI S.A. DE C.V., Mexico
- Caribbean** • DA COSTAS, Barbados • RADIO SHACK, Aruba
- South & Central America** • ZERO COMMERCIAL LTD., Brazil
- RIGERP DISTRIBUTION, Venezuela • ARCO WORKS, Panama
- THIRD WORLD TRADING INC. S.A., Peru
- MOTO HOT, South America
- ARGOLD S.A., Argentina