

SERVICE INSTRUCTIONS

FD-M900 FD-M901 (Top pull type)

Front Derailleur

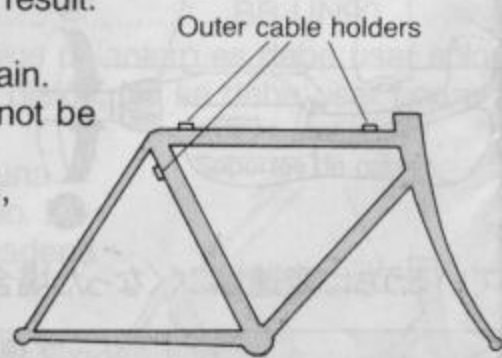
For proper and safe performance, read and follow these instructions carefully.

Specifications

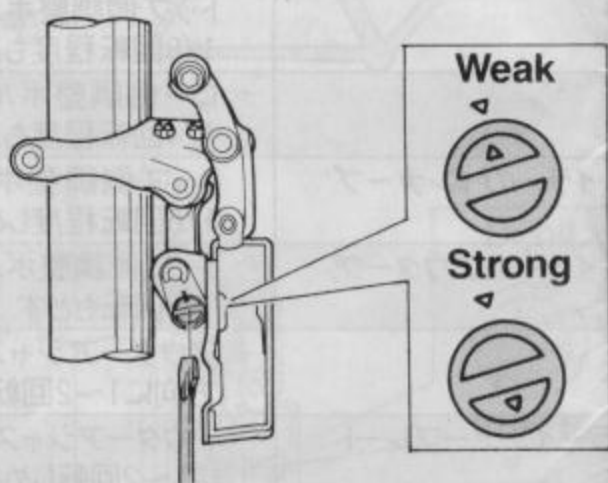
Capacity (front gear tooth difference)	Round gear	8T—26T
Installation band diameter	$\varnothing 28.0$ — $\varnothing 28.6$ mm, $\varnothing 31.8$ mm, $\varnothing 34.9$ mm	
Stroke (A—A')	$\varnothing 28.0$ — $\varnothing 28.6$ mm	35—55 mm
	$\varnothing 31.8$ mm	37—57 mm
	$\varnothing 34.9$ mm	38—58 mm
Frame angle (α)	66°—69°	

Note:

- Be sure to use in the following combination.
 - Front Derailleur.....FD-M900/FD-M901
 - Rapidfire.....ST-M900
 - Front chainwheel.....FC-M900
 - Bottom bracket.....BB-UN90
- This front derailleur is for front chainwheel triple gear use only. It cannot be used with the double gear, as poor shifting performance will result.
- Be sure to use only the Shimano narrow-type chain. The wide-type chain cannot be used.
- When installing FD-M901, choose a frame that has three outer cable holders as shown in the illustration below.

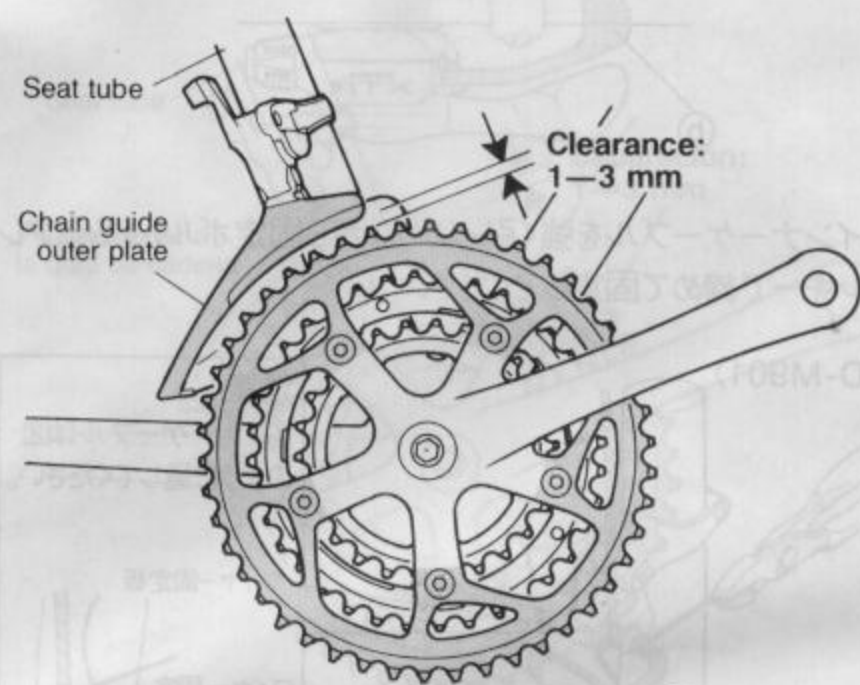


- The load strength can be changed from strong to weak and vice versa.

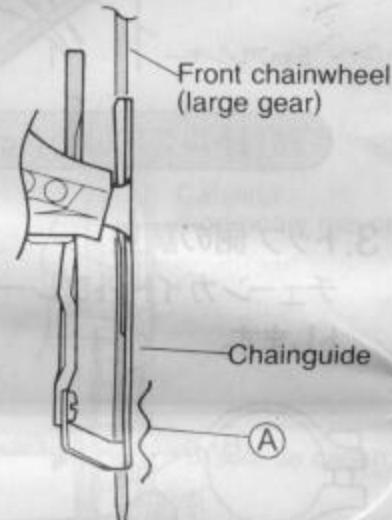


Installation to the frame

1. Adjust so that clearance between the outside plate of the chain guide and the large gear is 1—3 mm, and then install.



2. The outside surface (A) of the chain guide should be directly above and parallel to the large gear.



3. Secure by using a 5mm Allen key.

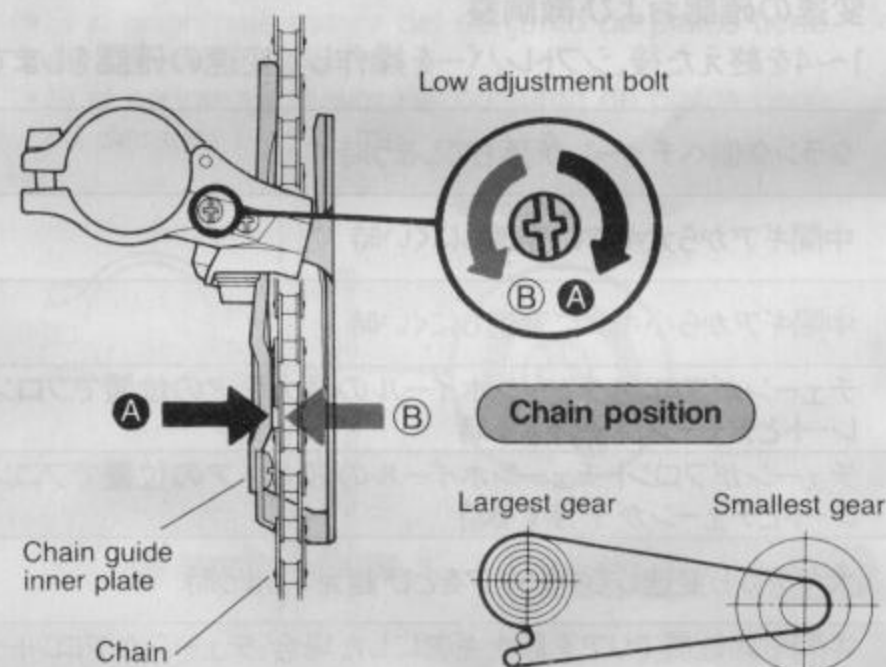
Tightening torque:
50 kgfcm (43 in.lbs.)

Adjustment and cable securing

Be sure to follow the sequence described below.

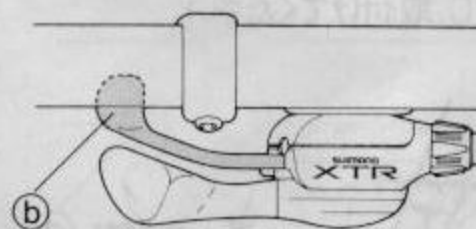
1. Low adjustment

- Set so that the clearance between the chain guide inner plate and the chain is as follows:
- If the largest gear of the front chainwheel has 46T: 0—0.5mm.
 - If the largest gear of the front chainwheel has 48T: 1—1.5mm.



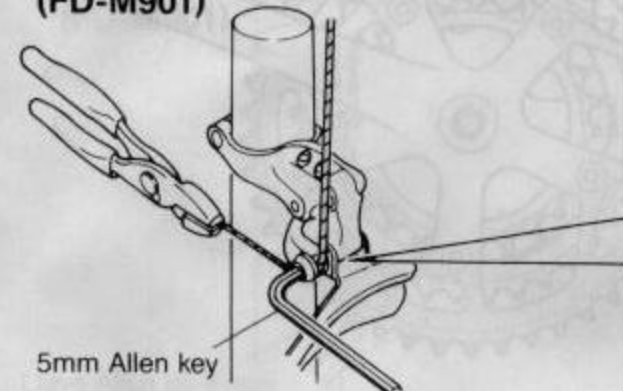
2. Fixing the cable

- 1 Pull lever (b) 3 or 4 times to move the lever to low position.

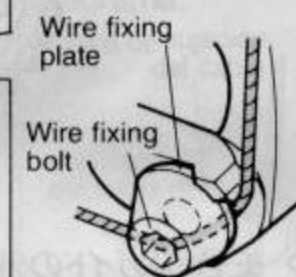


- 2 While pulling the inner cable firmly, tighten the wire fixing bolt with a 5mm Allen key.

(FD-M901)



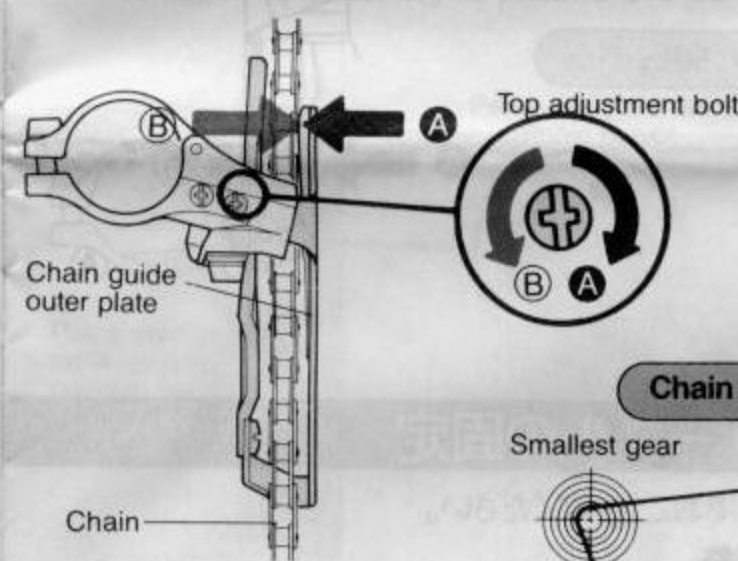
Caution
Thread the inner cable as shown in the diagram.



Tightening torque: 50 kgfcm

3. Top adjustment

Set so that the clearance between the chain guide outer plate and the chain is 0—0.5 mm.



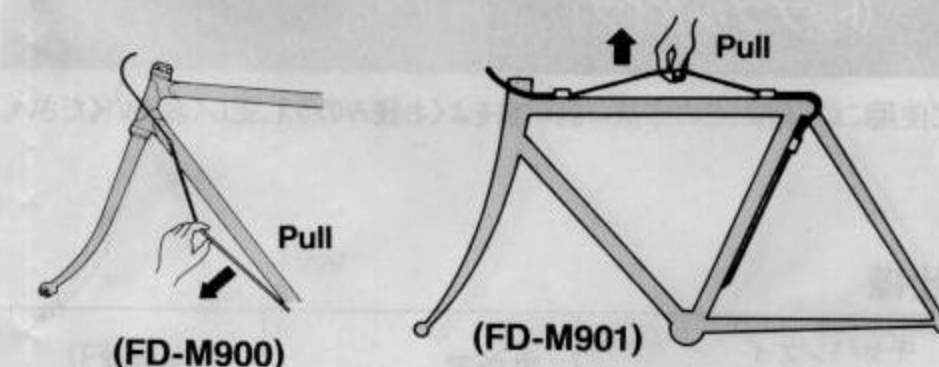
Chain position

Smallest gear Largest gear

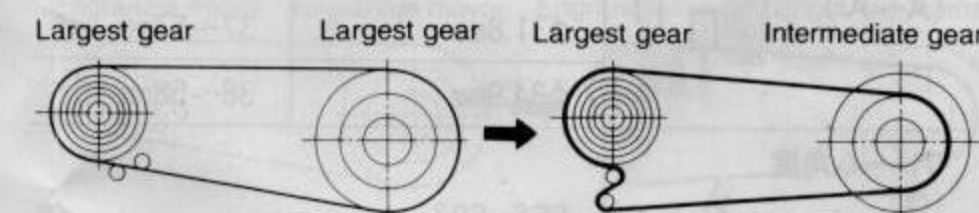
4. Tension adjustment of the cable

If use is not as Shimano Total Integration, the step "Tension adjustment of the cable" is not necessary.

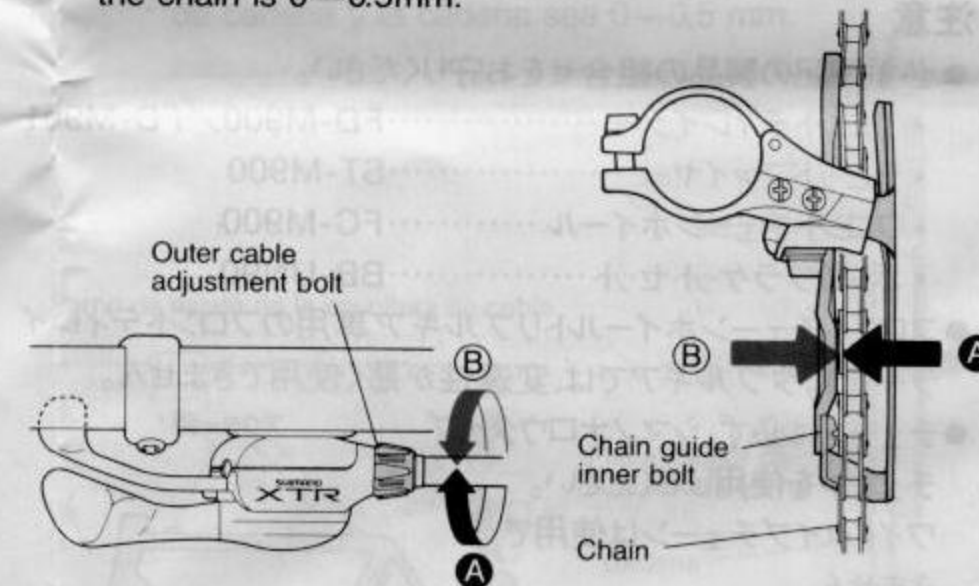
- 1 After taking up the initial slack in the cable, reattach to the front derailleur.



- 2 Set the chain to the largest rear sprocket, and, at the front, use the Rapidfire to shift from the largest chainwheel to the intermediate chainwheel.



- 3 Adjust by using the outer adjustment bolt so that the clearance between the chain guide inner plate and the chain is 0—0.5mm.



5. Trouble shooting chart

After completion of 1—4, move the shift lever to check the shifting. (This also applies if shifting becomes difficult during use.)

If the chain falls to the crank side	Tighten the top adjustment bolt clockwise (about 1/4 turn).
If shifting is difficult from the intermediate gear to the large gear	Loosen the top adjustment bolt counterclockwise (about 1/8 turn).
If shifting is difficult from the intermediate gear to the small gear	Loosen the low adjustment bolt counterclockwise (about 1/4 turn).
If there is interference of the chain and front derailleur inner plate at the largest gear of the front chain wheel	Tighten the top adjustment bolt clockwise (about 1/8 turn).
If there is interference of the chain and front derailleur outer plate at the largest gear of the front chain wheel	Loosen the top adjustment bolt counterclockwise (1/8 turn).
If the intermediate gear is skipped when shifting from the largest gear	Loosen the outer cable adjustment bolt counterclockwise (1 or 2 turns). ★
If there is interference of the chain and front derailleur inner plate when, at the intermediate gear position, the rear chainwheel is shifted to the largest gear.	Tighten the outer cable adjustment bolt clockwise (1 or 2 turns). ★
If the chain falls to the bottom bracket side	Tighten the low adjustment bolt clockwise (1/2 turn).

Note: If use is not as Shimano Total Integration, items marked ★ are not necessary.

SHIMANO

SHIMANO AMERICAN CORPORATION
One Shimano Drive, P.O. Box 19615, Irvine, California U.S.A. 92718 Tel: (714) 951-5003

SHIMANO (EUROPA) GmbH
Kleinbühlweg 13, 4010 Hilden, Germany Tel: 02103 5905-0

SHIMANO INC.
3-77 Oimatsucho, Saka, Osaka, Japan Tel: (0722) 23-3243

Please note: specifications are subject to change for improvement without notice. (English)

© Oct. 1991 by Shimano Inc. U-110A XBC IZM Printed in Japan.