

Chicken & Sons

R.J. CHICKEN & SONS LIMITED, BISLEY WORKS, LANDPARK LANE, KENSWORTH, DUNSTABLE, BEDFORDSHIRE, LU6 2PP. (Reg. Office)
TELEPHONE: (0582) 872202; TELEX: 825752 CHICKS G; FAX: 873583

6 September 1989

Dear Cyclist

Here are the catalogue sheets on 3TTT. The most widely available models are the Paris-Roubaix and the Super Competition handlebars, not forgetting the Moscow Low Profile.

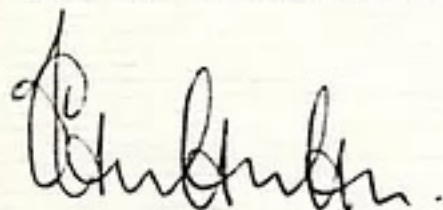
Of the stems, the 84 and Record should be available from your local RJC stockist. The 84 will fit Cinelli bars otherwise 3TTT bends and stems can be paired up with everything other than Cinelli.

Everything listed is available so don't be put off if a retailer appears to be out of stock. Just let us know his name and our representative will check his outstanding orders. If the worst comes to the worst we will supply you direct.

Don't forget 3TTT offers you a unique 5 year guarantee. It is the only producer to heat-treat its handlebars - reason enough why the really great manufacturers of bicycles like Colnago choose 3TTT, quite apart from scores of top class cyclists who speak so highly of this unique Italian manufacturer.

3TTT could be a good choice for you. Even if your legs are creaking, you won't hear a sound from a pair of 3TTT bars and stems!

Yours in sport
for R J CHICKEN & SONS LTD



C B Chicken





HANDLEBAR BENDS



PARIS-ROUBAIX BENDS

3TTT of Italy has made itself synonymous with high quality handlebars and stems during the last quarter of a century. In particular its innovative qualities and attention to detail have given the company a particular cachet based on quality, colour and styling which have resulted in enormously increased sales. And this in turn has led to greatly increased investment in the future of cycling.

Immensely strong, the new Paris-Roubaix racing bars of 7,000 alloy are carefully laser drilled to accept concealed cables. The drillings have been changed slightly to enable any make of brake to be used with them. The new patented 3TTT markings are used and replacement angled rubber plugs are available. Cat. B002

TOUR DE FRANCE

B200	40
B201	42
B202	44
B203	46
MERCKX	
B204	40
B205	42
B206	44
B207	46
GIMONDI	
B208	40
B209	42
B210	44
B211	46

3TTT COMPETIZIONE

Of the same 7000 aluminium alloy but in a polished or fashionable gun metal grey, these bars have the same patented 3TTT marking system which provides accurate positioning. The bars are chemically polished before anodizing, which prevents the rider's hands from leaving sweat marks on the grey anodizing, thus preserving the original look. The position marks are printed on the metal background, with the 3TTT symbol and the bars' name, Tour de France, Merckx and Gimondi (as Superleggera.) Weight 330g. *CAT B300. etc.

TOUR DE FRANCE

B300	40
B301	42
B302	44
B303	46
MERCKX	
B304	40
B305	42
B306	44
B307	46
GIMONDI	
B308	40
B309	42
B310	44
B311	46

Also AERO DYNAMIC COMPETIZIONE

*Cat B709	GIMONDI (65)	42
B710	-	44
B713	SARONNI (63)	42
B714	-	44

SUPERLEGGERA RACE TEAM SERVICE

Now demanded by top riders 3TTT is the choice of the best Italian racing cycle makers. Computerised Hi-Tech heat treatment and patented design improvements proliferate. 42 and 44cm bars (outside width) Tour de France (64-Round) Merckx (66-Square) and Gimondi (65 Sloping) also available in Gun Metal. 40 and 46cm sizes on special request. Weight 250g. *CAT B100 etc.

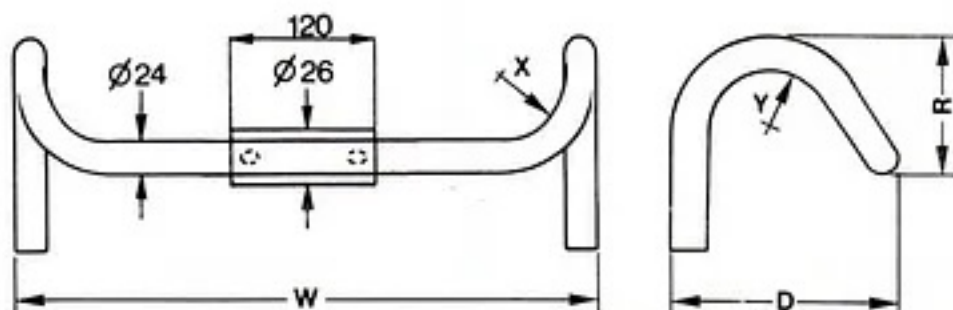
TOUR DE FRANCE		MERCKX		GIMONDI	
B100	40	B104	40	B108	40
B101	42	B105	42	B109	42
B102	44	B106	44	B110	44
B103	46	B107	46	B111	46



HANDLEBAR WIDTHS - 3TT

Model	W	D	R	X	Y
TOUR DE FRANCE	40 - 42 - 44 - 46	158	110	65	43
MERCKX	40 - 42 - 44 - 46	178	118	65	52
GIMONDI	40 - 42 - 44 - 46	158	116	100	49

N.B. Cinelli width equivalent for 40 is 38 for example





3TTT MOSCOW BENDS

This is the ultimate time trialling bar for riders with low-profile machines, designed with the co-operation of one of the world's top team time trial formations. Enormous attention has been paid to the design of these bars, which in some other configurations had been found to cause rider fatigue.

3TTT found that the fixed time trialling/pursuing position led to hand strain which was dependent on the rider's build. Thus each of these bars has a different curve at the hand-hold which relates to the width of the bar, and therefore the physical size of the rider and his hand. All the standard hooded brakes fit the curves comfortably. 350g.
*CAT B603 (42), B604 (44), Moser low profile also available. B601 (42) B602 (44)



0582 873329

CARBONAIR BEND & STEM

Seagull design with adjustable rotating grips. 22 - 30mm reach in road or chronometer versions. Carbon fibre material in fibre or grey resin finish. 42cm width with central expander bolt. * CAT B990



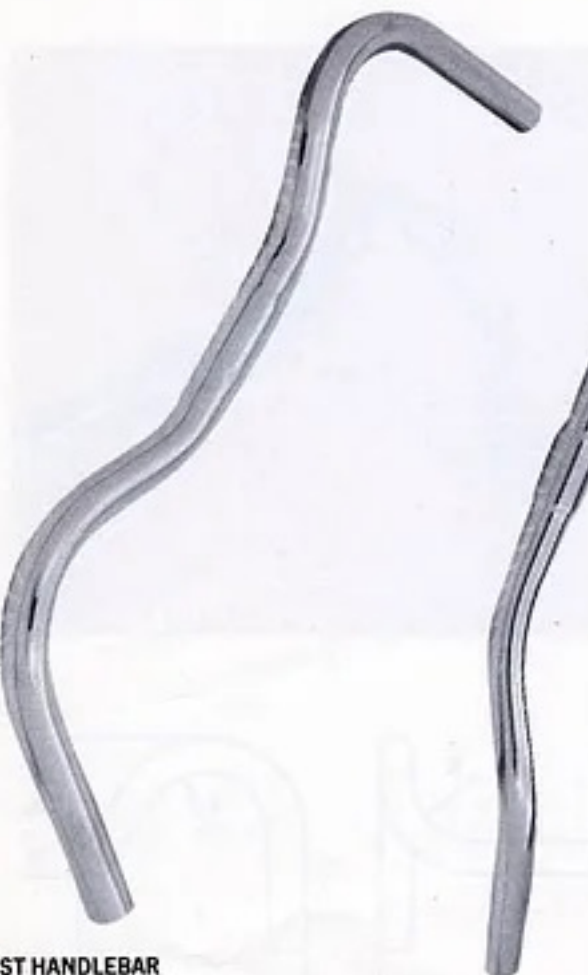
3TTT RIBBON

Brighten any bike with this exclusive 3TTT fade-pattern vinyl handlebar ribbon. More than just a 'tape' this is an adhesive ribbon which is patterned in a marbled style, black, red or blue with white, and grey with yellow. The centre of the ribbon is lightly foamed to provide quite a lot of comfort and the tough stretch vinyl will outlast any fabric tape. It can be washed with no more than a wipe with a damp sponge for most marks, and is supplied with 3TTT branded finishing adhesive tape and chromed plastic end stops.
*CAT HT30 (Black), HT34 (Red), HT35 (Blue), HT39 (Grey). Also plain fluorescent HT48 (Fuschia) HT49 (Yellow).



END PLUGS

These smart multi-coloured pop-on handlebar end plugs help keep the ends of your bar tape firmly in place reducing the likelihood of any crinkling or creasing.



CST HANDLEBAR



CS HANDLEBARS

CST HANDLEBAR

A plain bar for commuting type bicycles, practically flat and curving back gently with ample handgrips. With this bar you could handle a stem perhaps 2cm longer. Reinforced at the centre as with all 3TTT bars, these are made from class 5000 light alloy in natural oxidised finish, and are ideal for the more upright style of riding. Ideal for those for whom wind resistance is less important than clear forward vision.

CS HANDLEBARS

Traditional style touring bar in good quality light alloy with identical natural anodised finish as more expensive sports models. 24mm tube with 26mm centre.



HANDLEBAR STEMS

One of the Italian engineering companies which grew out of the Industrial Miracle, 3TTT approached cycling in the '60s with the experience of 20 years light-alloy manipulation, and traditional Italian skill and flair in design.

In 1985, the company took another step forward tackling the fresh challenges of the rapidly-growing touring and all-terrain movements. Without leaving racing aside – its development in carbon fibre utilization has become legendary – it has brought out a range of bars and stems which are designed with function in mind, lightweight and wondrously good to look at.

3TTT is uniquely interchangeable. With the exception of Cinelli, both bends and stems interchange with all other alloy makes.

Only 3TTT has the capacity of heat treating handlebars.



AR STEM "RECORD"

Whether you are a small woman (60mm reach) or a tall man (140mm reach), there's an AR stem which will fit your style in one of the nine lengths.

Proven over many years to be durable and functional, forged with T6 heat treatment, silver anodized, it uses an Allen bolt to tighten its neat head, and there's a built in safety mark on the side which also gives the length – no more guessing!*

S60D	S110D
S70D	S120D
S80D	S130D
S90D	S140D
S100D	

84 STEM

The 84 racing stem is a refinement of previous shapes in order to provide the most efficient form of tightening and to give maximum strength and aerodynamic efficiency.

Forged 6000 class aluminium alloy with T6 heat treatment is used. The Allen key tightener is patented. It is recessed and covered by a plastic emblem which keeps out water. The head key is made from stainless steel and is also recessed, tightened from below, with the stem head opening sufficiently to allow the bars to pass through when fitting, and then to fit closely on the centre reinforcement of the bars. This has been found to reduce the need to overtighten, and thus reduce stress while giving adequate purchase. A small refinement is the rubber filler where the head splits, and the black or silver anodized finish. Maximum extension marks are discreetly engraved on the stem for safety, as well as the forward length, from 80 to 140mm, while the extra metal around the head makes this a very rigid stem. Colours black or chrome.*

Black Anodised:	Polished:
S80B	S80C
S90B	S90C
S100B	S100C
S110B	S110C
S120B	S120C
S130B	S130C
S140B	S140C

2002 STEM

This is a stem designed for the roadman, and it has been tested to the highest limits, the Attacco 2002. Computer studies of stem stress have meant that this stem has been reinforced where needed, without adding excess weight (300g.) while keeping the stylish looks for which 3TTT are famous.

The ingenious hinge at the front is typical of this computer design innovation. Whereas a normal closed stem is subject to flexing and traction – for example when struggling uphill – by hinging the front the flex is removed from the metal, leaving it to cope – comfortably – with traction.

A neat plastic cover closes this hinge, and the tightening bolt which approaches the stem from underneath, closes on a rubber wedge which improves airflow. The stem is forged in aluminium 6000 class alloy, with T6 heat treatment and grey anodized, in 22.2mm diameter. Allen key tightening is used both for the stem bolts and the head bolt, the main stem bolt being covered by a plastic emblem. It comes in lengths from 90 to 110mm. 390A-110A*

Cat. S90A
S100A
S110A

Spares
B 001 Expander bolt complete
S 001 Fixing bolt & plug (2002)
S 002 Plug only (84 & Record)



2002 STEM



3TTT AR84 COMPUTER READY STEM

The need to keep up-to-date with race information has led to the development of a number of computer systems which have the VDU mounted on the handlebars. Unsightly wiring has thus become a familiar part of the racing scene—until now.

3TTT has developed a handlebar stem which is laser drilled to allow the computer wire to be led into the underside of the head of the stem, and thence down through the stem along the front fork to the driving unit, a patented system which may well conceal some of the loose wiring. This stem also uses 3TTT's patented principle of stem opening.

For riders who prefer to use the unhinged stem, 3TTT has fitted a small Allen screw under the neck which can be used to hold the jaws of the head open while bars are being manipulated, thus preventing them from scratches which might lead to fatigue breaks.

* Cat S90K, S100K, S110K



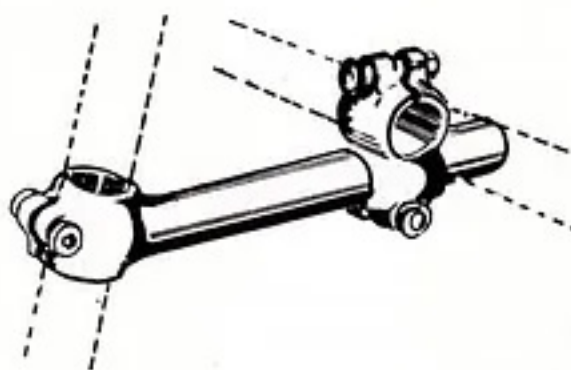
TRIATHLON STEM

Its round shape and refined design are the outcome of careful and considered examination of triathletes needs. Angle bolt fixing gives instant loosening. Cast in Class 3000 alloy a special epoxy paint finish was chosen for this stem with an eye to the type of competition in which it is used. This provides a highly protective glass finish which is strong and long lasting even against minor scratches. 60-200mm reach. *

Cat. S60F, S70F, S80F, S90F
(All white)



3TTT TRACK STEM



REAR TANDEM STEM (Adjustable)

All Alloy with stainless steel fittings. Rear extensions 15 cms. long, (9 cms of which is solid to provide great strength). Angled so that it is level when seat tube angle is 72°. Provides 9 cms. adjustment fore and aft.

Sizes: 26.4 Cat. S 264T
 27.0 S 270T
 27.2 S 272T



FEEDING BOTTLE

Elegantly inscribed with the 3TTT logo in green and red this 1/2 litre bottle with hand grip panel and fast flow drinking top is made of high quality plastic reducing any tendency for drinks to 'taste'.

Cat TB10



0582 873329



3TTT EXTREME ATB BARS

The ultimate in black anodized aluminium ATB bars. They are 70cm wide, and can easily be cut to suit the rider's stance, made from the very toughest 6000 aluminium. Cut flexing, and cut twist with the top bar in the aluminium world. *CAT B803.



3TTT EXTREME ATB STEM

Meant to go with the Extreme 6000 light alloy ATB bars, this stem is a swan neck steel stem painted in epoxy black. The chromoly stem is teak welded and has a recessed Allen head bolt and a unique tapered neck which

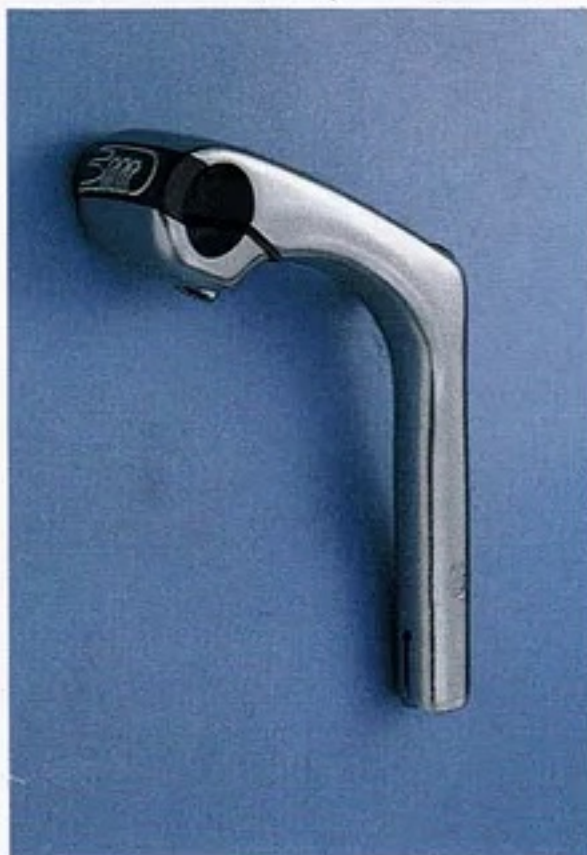
provides extra rigidity. On the neck is a teak welded cable guide with a brass roller which takes the front cable and adjuster.*
CAT S100H S110H S90H

MOUNTAIN TOP STEM

Mountain biking presented new demands to stem-makers, because of the enormous leverage the wide bars can exert, and the shock-treatment meted out. 3TTT tackled the problem by reinforcing the stem where it needs extra strength, by aluminium hot bar forging.

This is where 3TTT's patented front hinge system comes into its own. The two small rods which form the mechanism thicken it at the vital point, while they reduce the torsional stress, and two Allen bolts hold the bars firmly against loosening. Knowing that some riders prefer to use the thinner section steel bars, 3TTT thoughtfully provide 1mm thick shells to allow riders to use 22mm diameter bars. *CAT S100G etc.

100, 110, 120 and 130mm lengths.



ATB CRITERIUM SEAT PIN

Quite the strongest stem you have encountered, 300mm of absolute rigidity, coupled with secure fastening. CAT P262M.

C AIRONE ATB BAR

3TTT got it right first time with the Original mountain bike bars, and the rest of the world has been following ever since.

These are 22mm light alloy bars, a full 67cm width in a plain pattern - shells to fit 26mm stems are available. The tube is 2.5mm 6000 class light alloy with a tensile stress of 310 N/mm² and 90/12-hardness, beautifully engraved at the centre.

The most specialised bend used by top ATB racers. *CAT B801

