

S P E C I A L I Z E D



1987



*Our pioneering spirit at Specialized inspires us to design and produce unique products. Ever since we started in 1974, our aim has been to improve the quality, availability and affordability of fine bicycle equipment. As cyclists ourselves, we seek the same excellence and enjoyment from cycling as you. We study areas where high quality products are either non-existent or priced out of reach, and then develop new equipment to fill those voids.*

*Right now, mountain bikes are the new frontier. Our interest years ago, before they were in the spotlight, gave us the background necessary to develop proven off-road equipment. In this catalog, you'll find the fruits of our efforts, a whole crop of standard-setting new products, not to mention our time tested on- and off-road favorites.*

*Specialized's commitment to cycling goes beyond the norm. Our sponsorships*

*and involvement with racing teams, mountain bike teams, RAAM riders, triathletes, and our technical support programs lend support to those involved, and keep us in touch with the real world. This input from the field, combined with our experienced Research and Development team gives us the knowledge and insight to probe problems from every angle.*

*We're dedicated to bringing you the advanced products you want at reasonable prices. Share our excitement by visiting your area Specialized dealer for a hands-on look at our newest products to enhance your cycling enjoyment.*

*Mike Sinyard  
President  
Specialized*

C O N T E N T S

**TIRES**

HIGH-PERFORMANCE TIRES	TUBES
SPECIAL PURPOSE TIRES	TIRE LEVERS
OFF-ROAD TIRES	RIM STRIPS

**SHOES**

RACING SHOES  
TOURING SHOES  
ALL-TERRAIN SHOES

**HARDWARE**

CRANKSETS	HUBS
BOTTOM BRACKETS	RIMS
PEDALS	SEAT POST QUICK RELEASE
TOECLIPS	STAYGUARD
TOESTRAPS	CABLES

**STEERING**

HANDLEBARS-ROAD	STEMS-ROAD
HANDLEBARS-OFF-ROAD	STEMS-OFF-ROAD
HEADSETS	

**ACCESSORIES**

BOTTLECAGES	GLOVES
WATERBOTTLES	PUMP
TRAINER	TRAVEL BAG
SADDLES	

**WHEELSMITH**

ROAD WHEELS	SPOKE TENSIO METER
OFF-ROAD WHEELS	SPOKE PREP
SPOKES	TRUING STATION
SPOKE LENGTH SYSTEM	DISHING TOOL

**TAILWIND**

SEAT BAGS  
PANNIERS  
ACCESSORIES

# TIRES

*SPECIALIZED tires set the pace. We've developed new tread patterns to meet specific on and off-road performance goals. Our rubber compounds increase tread life. For toughness and resiliency, we vary casing thread diameter and count according to each tire's specific use. Each SPECIALIZED tire is precisely assembled to wear straight and true for longer life, and can withstand much greater loads than other brands. They are the closest you can get to perfection in a tire. Upgrade your bike's performance for just the price of a pair of tires.*

## TURBO RIM STRIP™

Made of a space-age polymer, our TURBO RIM STRIP provides unprecedented protection for tubes from spokes and nipples. It won't crack, dry out, split, melt, or degrade. Weighing only 16 grams, this strip is easy to install, and requires no glue. Available to fit 700/27" 20mm wide rims, and in a new off-road version for the SPECIALIZED X-26 and Araya RM-20 rims.



# TIRES

	BEST USE	SIZE	PSI	TPI	WT.
TURBO/VS TURBO/VR TURBO/S	Competition/Folding	700 x 25C	115	110	165
	Competition/Folding/Smooth Tread	700 x 25C	115	106	180
	High Performance/Racing/Folding	27 x 1	115	106	180
TURBO/R	High Performance/ Racing/Folding/Smooth Tread	700 x 28C	105	66	240
		27 x 1 1/4	95	66	275
		700 x 32C	95	66	275
		27 x 1 1/4	115	106	170
		700 x 19C	115	106	180
TURBO®/LS	High Performance/Racing	700 x 25C	115	106	240
		27 x 1	105	66	240
		700 x 28C	105	66	240
		27 x 1 1/4	115	106	240
		700 x 25C	115	106	240
TURBO/LR	High Performance/Racing/Smooth Tread	27 x 1	105	66	240
		700 x 28C	105	66	300
		27 x 1 1/4	115	106	240
		700 x 19C	115	106	240
		700 x 25C	115	106	300
TOURING® II	Sport Riding/Touring	27 x 1	105	66	270
		700 x 28C	105	66	270
		27 x 1 1/4	105	66	290
		700 x 25C	105	66	290
		27 x 1	95	66	330
TOURING II K4	High Mileage/ Puncture Resistant/Kevlar Belt	700 x 28C	95	66	370
		27 x 1 1/4	95	66	370
		700 x 32C	95	66	400
		27 x 1 1/4	95	36	300
		27 x 1 1/4	95	66	300
TOURING X NIMBUS™	Commuting/High Mileage All Purpose Street/Fast Rolling	700 x 32C	95	66	470
		27 x 1 1/4	75	36	470
		700 x 35C	75	36	475
		27 x 1 1/4	100	25	500
		27 x 1 1/4	100	25	610
TRICROSS®	High Performance Dirt/Wet or Dry	27 x 1 1/4	80	25	345
		26 x 1 1/4	100	66	500
		26 x 1.25	100	66	500
		26 x 1.40	35-65	25	500
		24 x 1.50	35-80	25	530
COMMUTER™ II	Best Replacement Tire	26 x 1.50	35-80	25	650
		26 x 1.50	35-80	66	520
		26 x 1.95	35-80	66	780
		26 x 1.50	35-80	66	735
		26 x 2.2	35-80	66	590
FATBOY™ NIMBUS™ CROSSROADS™ II	High Performance Street/Smooth Tread All Purpose Street/Fast Rolling Dirt/Street	26 x 1.95	35-80	66	735
		26 x 2.2	35-80	66	590
HARDPACK™	High Performance Dirt	26 x 1.95	35-80	66	735
		26 x 1.95	35-80	66	590
GROUND CONTROL™ GROUND CONTROL/S	High Performance Dirt/Competition Dirt Competition/Folding	26 x 1.95	35-80	66	735
		26 x 1.95	35-80	66	590



# TUBES

SIZE	TYPE	WT.
<b>SCHRAEDER VALVE</b>		
700 x 25/28C	Standard	135
700 x 28/32/35C	Standard	160
26 x 1 1/4	Standard	150
26 x 1.50-2.125	Standard	195
26 x 1.25	Standard	160
24 x 1.50-2.125	Standard	150
700 x 25/28C	Thorn Resist	265
700 x 32/35C	Thorn Resist	355
26 x 1.50-1.95	Ultralight	175
<b>PRESTA VALVE</b>		
700 x 25/28C	Standard	110
700 x 32/35C	Standard	150
26 x 1.50-2.125	Standard	195
700 x 25/28C	Thorn Resist	260
700 x 19/25C	Turbo UL	75
26 x 1.50-1.95	Ultralight	165
700 x 25/28/32C	Latex	65
<b>METRIC TO INCHES TUBE CONVERSION:</b>		
700 x 19C =	27 x 3/4"	
700 x 25C =	27 x 1"	
700 x 28C =	27 x 1 1/8"	
700 x 32C =	27 x 1 1/4"	
700 x 35C =	27 x 1 1/2"	





### TIRE LEVERS

Spare your rims with SPECIALIZED's new easy-to-grip lightweight tire levers. Made from a nylon composite, they slide easily under tire beads and are designed not to scratch or damage rims. In snap-together sets of three.

#### 1 TURBO<sup>®</sup>/VS AND TURBO/VR

These are the tires that outperform tubulars. By using a casing made of a hybrid, proprietary Kevlar blend—a material with unprecedented strength-to-weight ratio, we are able to produce a clincher that weighs just 165 grams. The TURBO's low weight means quick acceleration, and their decreased rolling resistance requires less effort to maintain your speed. In racing (V/S) or slick (V/R) treads.

#### 2 TURBO/S AND TURBO/R

Our most popular high performance tires, the folding TURBO/S and /R utilize a supple, high thread count nylon casing with Kevlar beads for greater cornering adhesion. In racing (V/S) or slick (V/R) treads.

#### 3 TURBO/LS AND TURBO/LR

These economical TURBOs are the best high performance values on the market. Sharing the same casings, tread patterns and rubber compound as the TURBO/S and /R, they offer similar performance but use heat treated, wire beads.

#### 4 TOURING<sup>®</sup> II

Light, resilient, and incredibly strong. The tread consists of a wide, smooth center section with a recessed herring-bone pattern on the sides to give you precise handling and long life.

#### 5 TOURING II K4

At the leading edge of tire technology, the TOURING II K4 has a Kevlar belt securely laminated between two casing layers for maximum protection against road debris, potholes and even glass.

#### 6 COMMUTER<sup>™</sup> II

Our workhorse tire uses a deep ribbed tread pattern which produces excellent lateral stability needed for confident maneuvering in heavy traffic, and its tough casing won't let you down.

#### 7 TOURING X

The TOURING X employs a thick center-mileage-band and ribbed tread pattern to grip rough or wet surfaces. A triple layer casing increases longevity and protects against punctures even under the most adverse conditions.

#### 8 NIMBUS<sup>™</sup>

This high performance, fast rolling tire uses an aggressively siped tread pattern to channel water away. This versatile tread exhibits low rolling resistance plus maximum traction under a full range of weather conditions.

#### 9 TRICROSS<sup>™</sup>

For those who want high performance in the dirt from a road bike, we offer the TRICROSS. Our patented three point knobs bite into loose dirt and mud without clogging, yet offer a surprisingly smooth ride on harder surfaces.

#### 10 GROUND CONTROL<sup>™</sup>/S

A no-compromise off-road competition tire, this new 590 gram Kevlar bead folding tire is a racing-only version of our highly acclaimed GROUND CONTROL. Size and shape of the tread blocks have been re-engineered to reduce weight while increasing traction and mud clearing ability.

#### 10 GROUND CONTROL

Made for all-out performance in the dirt, the GROUND CONTROL embodies technical innovations that dramatically increase cornering traction, ride quality and overall bike control. Utilizing rows of offset knobs, with "working edges" which dig in as you lean over, the GROUND CONTROL establishes new standards for lateral traction.

#### 12 HARDPACK<sup>™</sup>

Our new HARDPACK delivers outstanding performance in rough and rocky terrain. In the 2.2" version, it can run at higher pressures to provide maximum flotation. While at 520 grams, the 1.5" HARDPACK is one of the lightest off-road tires available.

#### 13 CROSSROADS<sup>™</sup> II

A second generation dirt/street tire, the new CROSSROADS II is efficient on pavement and provides excellent traction in the dirt. A new tread employs interlocking center blocks for decreased rolling resistance, sure-footed cornering and a quiet ride. In 1.5" and 1.95" sizes.

#### 14 FATBOY<sup>™</sup>

SPECIALIZED's new FATBOY is the fastest, skinniest and lightest mountain bike tire ever developed. Built to handle the higher 100 psi inflation pressure required for the road, the FATBOY utilizes our proven slick TURBO tread for low rolling resistance and excellent cornering adhesion.

### TUBES

We know that to provide maximum performance, a tube must be tailored to its job. At SPECIALIZED we produce a full range of tubes including high performance, thin wall models that decrease weight, increase suppleness, and lower rolling resistance. We maintain the most stringent manufacturing specifications and quality controls in the industry. Available in all popular sizes.



# SHOES

*SPECIALIZED cycling shoes successfully combine the quality and craftsmanship of old world tradition with the high performance of modern technology. Essential features often found on the most advanced athletic shoes are at last available on cycling shoes.*

All SPECIALIZED RACING SHOES are Look® System compatible and feature:

- Channel/platform outsoles for the optimum blend of low weight and stiffness
- Bi-density Delrin/polyurethane cleats with textured soft surface layer for walking traction
- Oversize heel counters for secure fit and to allow a more aggressive pull through the pedaling stroke
- A notched backtab to reduce Achilles Tendon pressure
- Toe box reinforcement and lateral bumpers for maximum protection from toe clips and straps
- Padded tongues, ankle collars and sockliners
- Uppers with a minimum of 1 inch wrapped between insole and outsole for extra durability when used with strapless binding systems. Replacement cleats are available.



## 6500

The ultimate high performance racing shoe, the SPECIALIZED 6500 gives you maximum efficiency through low weight and superb fit. Our ultralight carbon fiber outsole is extra stiff, and a three point aero-style Velcro™ closure holds your foot snugly. Its lightweight, highly breathable polypag upper is abrasion resistant for long life.



## 3900

Traditional in design, the 3900 incorporates many features of our more expensive shoes. Offset speed lacing allows perfect fit for wide, medium and narrow feet. Lightweight, two-way nylon mesh quarters provide maximum breathability and minimize stretching. Of course, we included comfort features like a notched backtab, padded collar lining, and padded, perforated tongue.

## 5500

Our premium quality Velcro closure shoe uses a tough nylon/glass fiber compound outsole derived from the 6500 to save weight and increase efficiency. A three point closure system with double "D" ring securely fits wide, medium and narrow feet. Lightweight nylon mesh uppers increase breathability while a lateral saddle support minimizes forefoot stretching and increases abrasion resistance.



# SHOES

SIZES

FEATURES

UPPERS

CLOSURE

FOREFOOT

VAMP MATERIAL

OUTSOLE

RACING

**SPECIALIZED™**

	3400 TOURING	3401 TOURING (WOMENS)	3800 ALL-TERRAIN/ TOURING	3900 RACING- LACE	5500 RACING- VELCRO	6500 RACING- AERO
MENS 4-13	■					
MENS 36-47		■				
WOMENS 5-10	■	■				
TOE BOX REINFORCED	■	■				
HEEL COUNTER	■	■				
VARIABLE OFF-SET LACING	■	■				
PADDED COLLAR LINING	■	■				
PADDED TONGUE	■	■				
SOCKLINER	■	■				
REFLECTIVE BACKTAB	■	■				
POLYPROPYLENE INSOLE	■	■				
LACE	■	■				
VELCRO			■	■		
SUEDE LEATHER	■	■				
FULL GRAIN LEATHER			■	■		
BALLISTIC MESH	■	■				
POLYPAG	■	■				
TOURING OUTSOLE	■	■				
BI-DENSITY CLEAT	■	■				
BI-DENSITY OUTSOLE	■	■				
CARBON FIBER/ BI-DENSITY OUTSOLE	■	■				
OFF ROAD OUTSOLE	■	■				



## 3400

Comfortable and efficient, the 3400s are equally at home on the pedals as they are on the street. They include features found on today's most advanced athletic footwear. One of the lightest and toughest multipurpose sport cycling shoes available, the 3400s are built for the long haul, and feel good enough to wear all day.

## 3401

At last a womens' cycling shoe built with a narrower heel specifically designed to comfortably fit womens' feet. We've taken all the features of our proven model 3400 and proportioned them just right. No longer do women have to be content with unisex sizing or settle for men's cycling shoes.



## 3800 ALL-TERRAIN

Created specifically for off-road use, the SPECIALIZED 3800 combines the sophisticated features of our touring shoes with the durability necessary to stand up to mountain bike use. Its sole uses a unique channeled forefoot pattern with a widened crosshatched midsection for superior pedal grip. Variable height studs on the rear of the sole dig in to provide the traction you need for walking in mud or loose dirt. Uppers are constructed of a durable 840 denier polypag with reversed suede forefoot. Offset speed lacing fits wide, medium and narrow feet, and the  $\frac{3}{4}$  height shoe includes a leather ankle strap for independent adjustment of the ankle area.

We recommend trying on cycling shoes. You want a snug but comfortable fit, particularly with cleated shoes. Shoes that are too loose will allow your feet to move around inside, causing blisters and other painful problems. The chart shows conversions from American to European shoe sizes.

U.S. Women's sizes (top) and Men's sizes (bottom)	
3	36
4	37
5	38
6	38.5
7	39
8	40
9	40.5
10	41
11	42
12	42.5
13	43
14	43.5
15	44
16	44.5
17	45
18	45.5
19	46
20	46.5
21	47

SPECIALIZED TOURING SHOES incorporate similar advanced technology: • Durable carbon rubber outsoles grip your pedals • A polypropylene insole combines the ideal blend of stiffness for cycling, and properly positioned flexibility for walking • Lightweight, breathable Polypag quarter material is abrasion resistant for long life • Generous padding in the tongue, ankle collar lining, plus a removable sockliner and our notched backtab add up to remarkable comfort • Offset eyestays adjust to fit wide to narrow feet • Toe and lateral bumpers protect your feet from toe clip and strap pressure.



# HARDWARE

## CRANKSETS

Whatever your application, there is a SPECIALIZED CRANKSET to fit your needs. Our cold forged ST-1 models come with gear cut chainrings to prolong chain life, and each tooth is asymmetrically beveled for fast, smooth shifting. A cleverly positioned catch pin prevents your chain from jamming. Arms are offset 6mm to allow a shorter, stiffer bottom bracket and more clearance for your ankle. Our economical semi-forged ST-2 incorporates the same design. All crankset parts are available separately.

## STAYGUARD™

This highly polished stainless steel chainstay protector eliminates paint chipping from chain slap. Contoured to fit your stay, the STAYGUARD mounts quickly and easily.

## TRIPLE

Fits a standard double bottom bracket spindle for easy conversion. Chainrings from 24-55 teeth are available and are interchangeable with Shimano Biopace, Sugino AT, SR-FX and other popular rings.

- ST-1 Touring Triple 30/46/50 in 170, 172.5, 175mm arms
- ST-1 Mountain Triple 26/36/46 in 170, 175, 180mm arms
- ST-1 Crankarms, 167.5, 170, 175, 180 mm arms
- ST-1 Tandem Crankarms, 170mm arms, 42 tooth timing rings
- ST-2 Touring Triple 30/46/50 in 170, 175mm arms
- ST-2 Mountain Triple 26/36/46 in 170, 175, 180mm arms
- ST-2 Tandem Crankarms, 170mm

## RACING

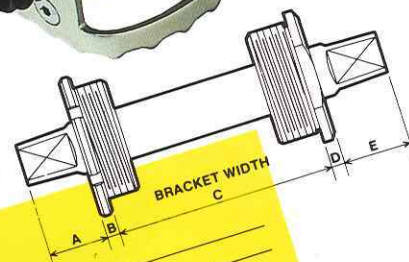
The RACING crankset fits a standard single spindle and has a wider spider to accommodate chainrings from 42 to 55 teeth. Rings are interchangeable with Campagnolo, Sugino, Stronglight and other popular brands. Crankarms are available in 167.5, 170, 172.5, 175 and 180mm lengths.

## MOUNTAINCLIP™

Specifically designed for off-road abuse, SPECIALIZED's new unbreakable MOUNTAINCLIPS employ unique double strap carriers to form a wide-mouth for quick entry/exit with mountain bike pedals. These lightweight clips use forward positioned carrier straps to aid entry and help eliminate pressure on top of the foot. Fits a wide variety of pedals; in large only.

## SEAT POST QR

Ideal for off-road bikes, tandems or any bike used by more than one rider, the SPECIALIZED seat QR allows quick and simple saddle height adjustment.

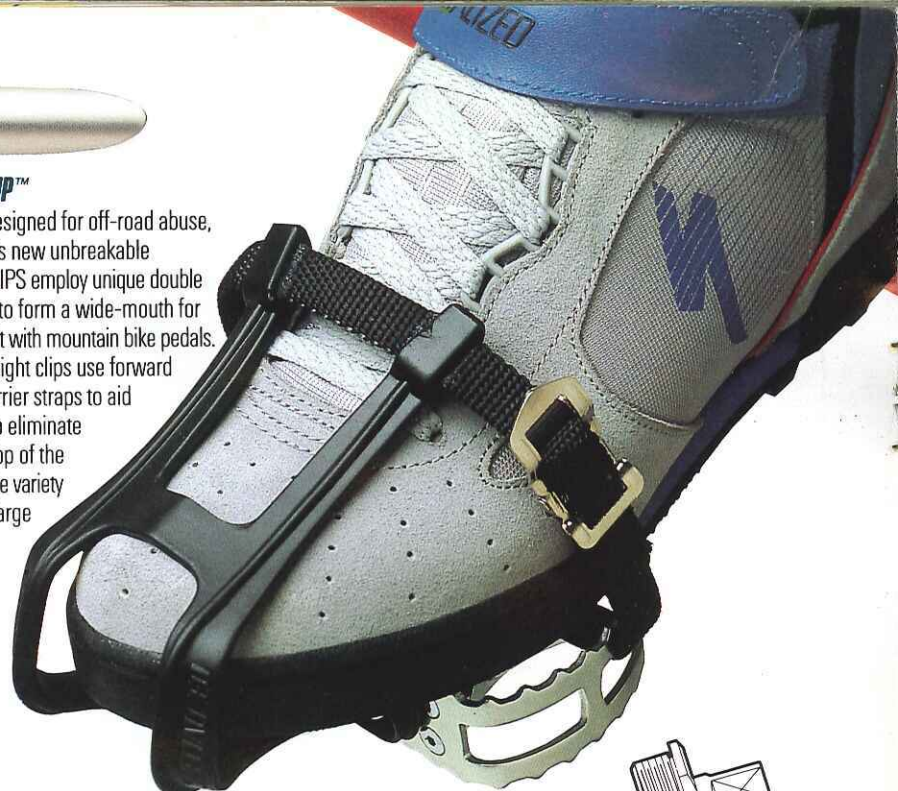
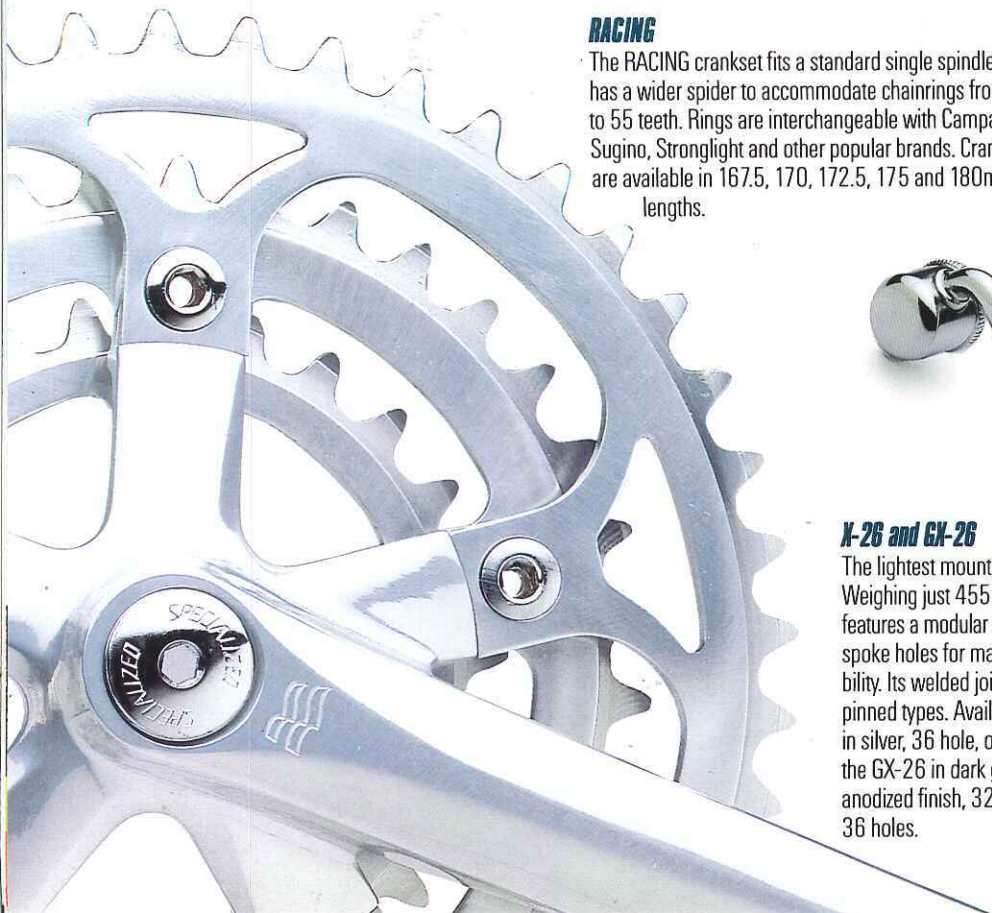


## BOTTOM BRACKETS

PART #	SPDL LGTH.	A	B	C	D	E	TO FIT
107-68	107	16	3.5	68	3.5	16	Specialized Double, Shimano Dura Ace EX Double (Eng., Fr.)
109-70	109	16	3.5	70	3.5	20	Specialized Double, Shimano Dura Ace EX Double (It.)
112-68	112	17	3.5	68	3.5	19	Campagnolo Double, Sugino Double, Standard Doubles (Eng., Fr.)
113-70	113	17	3.5	70	3.5	21.5	Campagnolo Double, Sugino Double, Standard Doubles (It.)
114.5-68	114.5	18	3.5	68	3.5	20.5	Specialized Triple, Campagnolo Double (Eng., Fr.)
115.5-70	115.5	18	3.5	68	3.5	26.5	Specialized Triple, Campagnolo Double (It.)
119.5-68	119.5	18	3.5	70	3.5	25.5	Campagnolo Triple, T.A. Triple (It.)
120.5-70	120.5	18	3.5	68	3.5	22.5	Campagnolo Triple, T.A. Triple (Eng.)
120-68	120	22.5	3.5	68	3.5	25	Specialized Triple for Stumpjumper (Eng.)
125-68	125	25	3.5	68	3.5	25	Specialized Triple for Stumpjumper (Eng.)
130-68	130	28	3.5	68	3.5	28	Sugino, Shimano Triple for Stumpjumper (Eng.)

## X-26 and GX-26

The lightest mountain bike rim available. Weighing just 455 grams, the 26x1.5" X-26 features a modular cross section with reinforced spoke holes for maximum strength and durability. Its welded joint is 20% stronger than pinned types. Available in silver, 36 hole, or as the GX-26 in dark gray anodized finish, 32 or 36 holes.







### CHANNEL-SEAL™ BOTTOM BRACKET

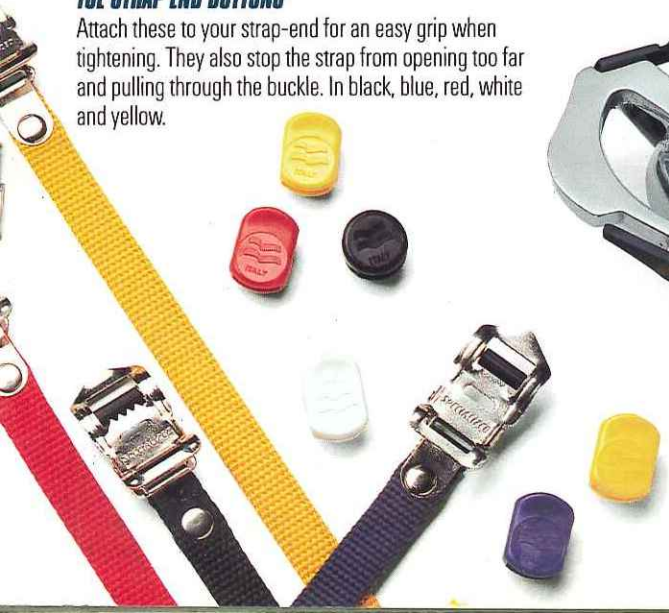
A virtually impenetrable barrier against dirt and moisture is created by a combination of contact and labyrinth seals. O-ring seals allow the spindle to spin freely. Our cups feature precision-ground bearing races polished to a mirror finish for a long-lasting, smooth operation, and are interchangeable with other high quality sets. SPECIALIZED spindles are made from the highest strength precision machined chromoly steel. Install with standard tools; cupsets in English, French, and Italian threading. All spare parts are available.

### NYLON TOE STRAPS

The ultimate in durability, our new nylon straps are made of the finest ballistics nylon webbing. In black, blue, gray, red, white and yellow.

### TOE STRAP END BUTTONS

Attach these to your strap-end for an easy grip when tightening. They also stop the strap from opening too far and pulling through the buckle. In black, blue, red, white and yellow.



### RACING PEDAL

For road and track competition, our RACING pedal gives excellent cornering clearance. We use spindles forged from the highest quality chromoly for maximum strength. The bearing surfaces are ground and polished to an unbelievable sheen for smooth running. A contact lip seal wards off dirt and water. Featuring a beautiful hand-polished finish and replaceable black anodized aluminum alloy cages.



### TOURING PEDAL

Built to the same high quality standards, our TOURING PEDAL is designed for comfort no matter what shoe you choose, cleated or touring. A gentle curve centers your foot perfectly every time whether you are a 5AAA or 14EEE. As with our racing pedal, you can service it with standard tools. All pedal parts are available separately.



### SEALED BEARING HUBS

New and improved with a beautiful cold-forged satin-polished teardrop shell. The SPECIALIZED hub features a high-precision, sealed cartridge bearing combined with shields to form a virtually maintenance-free triple labyrinth seal. The entire unit is fully adjustable with standard tools. Chromoly axles are used for extra durability, and flange dimensions are the same as Campy and Dura-Ace for compatibility. Available in quick-release in all standard spacings and drilling from 24 to 40 holes, and solid axle in 36 hole. All spare parts are available.

### STUMPJUMPER™ CABLE

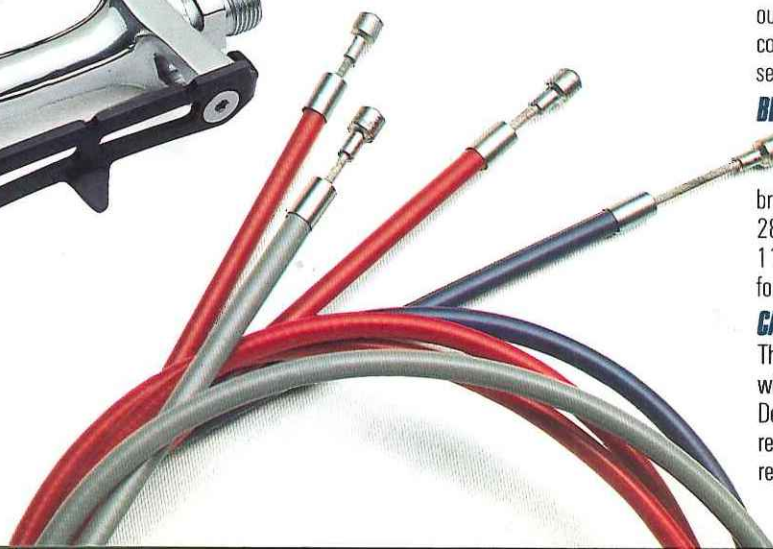
Developed to withstand the rigors of mountain bike use, our oversize 2mm diameter STUMPJUMPER CABLE comes in oversized Delrin lined housing. As a complete set, in black.

### BRAKE AND GEAR CABLE

These thick, sturdy, double-wound and galvanized cables substantially improve the performance of any brake. In 763mm front, 1425mm rear, and for tandems, 2800mm. Also available, gear cables in 835mm, 1190mm, 2100mm for thumbshifters, and 2800mm for tandems.

### CABLE IN LINED HOUSING

These brake cables use thick, flat-wound wire housing which minimizes compression under heavy braking loads. Delrin lined for smooth action every time. In black, blue, red, white, yellow, and silver, plus metallic blue, gray, red and silver.



# STEERING



*Specialized steers you in the right direction with a wide selection of handlebars, stems, and headsets. No matter your preference, road-or off-road, there is a Specialized combination to satisfy your needs. Our handlebars are extra-strong, and elegantly shaped for optimum performance, while center reinforcement ferrules prevent creaking. Specialized stems are rigid and beautifully finished to provide the kind of security you need. Our headsets feature more than their jewel like finish, a unique channel-seal ensures trouble free operation, while highly polished steel races mated with precision ball bearings are smooth running. Put these Specialized Components together for the best steering system around.*

## HEADSETS



### CHANNEL-SEAL™ HEADSET

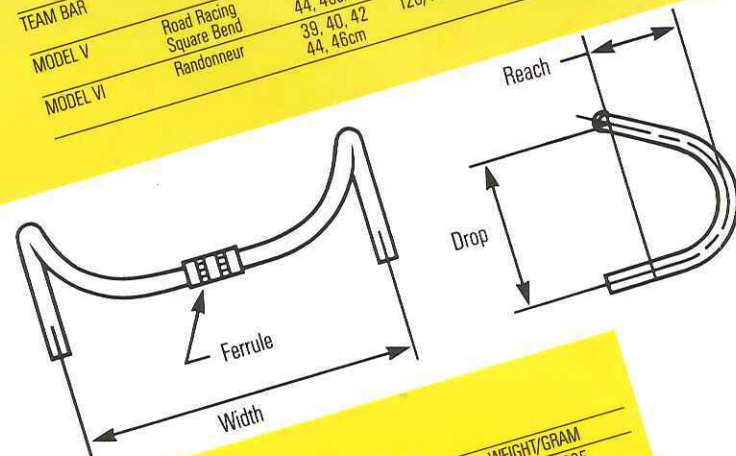
Combining the advantages of both labyrinth and contact seals, our CHANNEL-SEAL HEADSET creates a superior barrier against dirt and moisture. Our headsets are constructed with specially ground surgical steel races and precision ball bearings. In silver or black alloy in English or Italian, French in silver alloy, and all English, Italian, and French in steel. All common dimensions are available; consult your dealer for the proper headset to fit your frame.

### STANDARD HEADSET

Designed to outperform anything in its price class, our standard steel headset is made with the same surgical quality precision-ground races as our top-of-the line model. In English, Italian, and French.

## HANDLEBARS

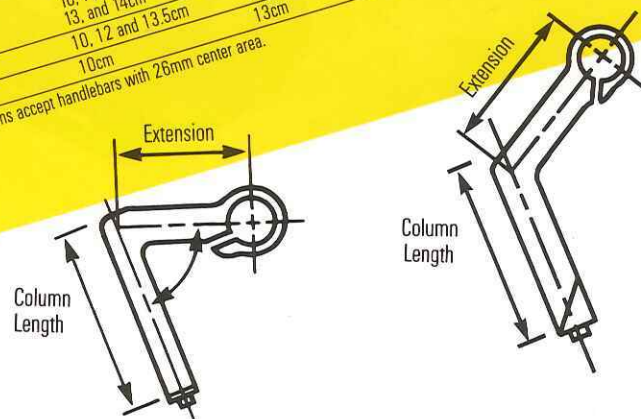
MODEL	DESCRIPTION	WIDTH	DROP/REACH	FERRULE DIA.	WT.GM.
MODEL I	Road Racing Square Bend	38, 40, 42, 44, 46cm	135/95mm	26mm	300, 310, 320, 330, 340
MODEL II	Criterium Racing Round Bend	38, 40, 42, 44cm	Rise 67mm	26mm	300, 310, 320, 330
MODEL III	Upright	61cm	Rise 73mm Bend 19°	26mm	398
MODEL IV-X1+2	Upright	61cm	Rise 98mm Bend 28°	26mm	350
MODEL IV-X2	Upright	61cm	Rise 0mm Bend 18°	26mm	330
MODEL IV-X3	Upright	61cm	Rise 0mm Bend 18°	26mm	295, 305, 315, 325, 335
TEAM BAR	Upright	61cm	162/85mm	26mm	295, 305, 315, 325, 335
MODEL V	Road Racing Square Bend	38, 40, 42, 44, 46cm	120/105mm	26mm	
MODEL VI	Randonneur	39, 40, 42, 44, 46cm		26mm	



## STEMS

MODEL	EXTENSION	COLUMN LGTH.	COLUMN DIA.	WEIGHT/GRAM
S-2 ROAD	6, 7, 8, 9, 10, 11, 12, 13, and 14cm	15cm	22.2mm	285, 295, 305, 320, 330, 345, 350, and 365
MTB-3	10, 12 and 13.5cm	13cm	22.2mm	320, 350, 375
MTB-4	10cm	13cm	22.2mm	345

▲ All stems accept handlebars with 26mm center area.



# HANDLEBARS

SPECIALIZED handlebars are crafted from the finest aluminum alloys, accurately shaped and carefully hand polished. To prevent annoying creaking, we knurl the inside portion of the center reinforcing ferrule. All SPECIALIZED handlebars have a beautiful silver anodized finish and come in a wide variety of shapes and widths.

## MODEL I

The standard road bend most cyclists prefer. For racers and tourists, available in 36, 38, 40, 42, 44 and 46cm widths.

## MODEL II

Similar to a track bend for added wrist clearance in sprint situations. Also excellent for criterium racing. In 38, 40, 42 and 44cm widths.

## MODEL V

A road racing bar with an extra deep drop for a very low position. The top is wide and flat for a stable grip when climbing. In 38, 40, 42, 44 and 46cm widths.

## MODEL VI

A randonneur bend for tourists who want a more upright position on a drop bar. Available in 38, 40, 42, 44 and 46cm widths.

## IV-X SERIES

These upright, 22.2mm diameter duraluminum bars are available in three bends and rises, allowing you to tailor your riding position for the best control and comfort. Now with 26mm diameter center ferrule.

MODEL IV X-1+2 73mm rise, 61cm width 19° bend silver

MODEL IV X-2 98mm rise, 61cm width 26° bend silver

MODEL IV X-3 0mm rise, 61cm width 18° bend black or silver



MODEL I



MODEL VI



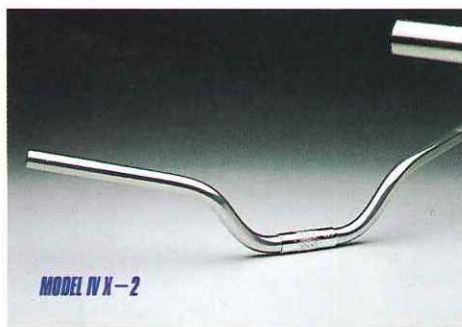
MODEL II



MODEL IV X-1+2



MODEL V



MODEL IV X-2

## MODEL III

A comfortable, lightweight upright bar. Great for cruising, tandem stokers or city bikes. Fits stems with a 26mm diameter clamp and accepts 23.8mm brake levers.

## MODEL IV X-3

## TEAM BAR

SPECIALIZED's all out competition mountain bike bar. This flat bar puts you in the low-forward position favored by many off-road racers. Gently tapered from a 26mm center section to 22.2mm ends, this center bulge strengthens the bar and eliminates the need for clumsy shims. The TEAM BAR uses the same dimensions as our X-3 bar, but is lighter and 30% stronger. In beautiful silver or black finish.

## STEM EXPANDER TOOLS

A handy tool to prevent bar and stem damage while installing new bars. Available for either SPECIALIZED or CINELLI stems.

## S-2

Featuring a sleek, contoured profile with a full-wrap clamp mechanism for a very stiff, secure grip on the bars. Available in silver or black, 22.2mm in 6 to 14cm extensions in one centimeter increments.

## MTB-3

Cold-forged, hand polished and anodized for lasting beauty, the MTB-3 is designed for mountain bike use,

but can also be fitted on road bikes when a higher handlebar position is desired. Fits Specialized road and off-road bars, and Cinelli road bars. Available in silver or black in 10, 12, and 13.5cm extensions.

## MTB-4

A more affordable alternative to our MTB-3, this semi-forged stem is available in 10cm extension, silver or black finish.

# ACCESSORIES

## WATERBOTTLES & CAGES

### ALLOY CAGES

SPECIALIZED alloy waterbottle cages are designed with a snap-loc shape which grabs the bottle's shoulder to hold it securely, and prevents rattling even over the roughest terrain. The entire cage is constructed from specially extruded high-strength aluminum alloy rod for unsurpassed strength and rigidity. Available in 5mm and heavy duty 6.2mm rod diameters in several enticing, durable powder coated colors: black, blue, grey, pink, red, white, yellow, plus silver anodized.



### FIBRECAGE™ 2400

The latest in injection molding technology, SPECIALIZED's ultralight, carbon fibre composite cage weighs just 30 grams. Its precise funnel shape locks bottles firmly in place yet allows them to be easily slipped in and out, while the smooth composite won't mar bottle finish. In Carbon-Fibre Black.



### BOTTLE CAGE CLIPS

These stainless steel clips easily mount bottle cages to frames without braze-ons. Nicely finished with integral mounting nuts. Includes allen key.

### WATERBOTTLES

New and improved! A two stage nozzle provides four times the volume of our previous bottle, plus a fine mist spray to cool you off. Made in the USA of a lightweight, durable FDA approved plastic which doesn't absorb odor, you never taste anything but your drink. Getting a grip has never been easier. Our new, wider neck is contoured to your hand, and the widened mouth accepts ice cubes. Available in 21 and 28 ounce capacities in a variety of bold colors: white, red, dark blue, yellow, translucent. Fits all popular cages. Custom imprints are also available. Choose from many cycling logos, or ask your dealer for their own CUSTOM bottle.

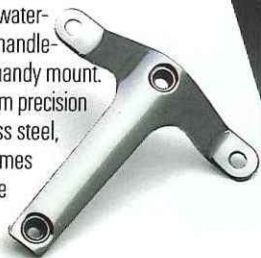


### SADDLES

SPECIALIZED's stylish saddles look and feel like nothing else. With their anatomical bumps underneath, these saddles are aesthetically pleasing as well as ultra-comfortable. Careful material selection like the injected Rilsan nylon shells found on our "S" models are firm but flexible for long lasting comfort. High density closed cell polyurethane foam produces lasting cushioning whether you race, tour or go off-road. The Carina women's models are designed for better support.

#### HANDLEBAR MOUNT

Carry an extra water-bottle on your handle-bars with this handy mount. Constructed from precision formed stainless steel, each mount comes with a complete mounting kit.



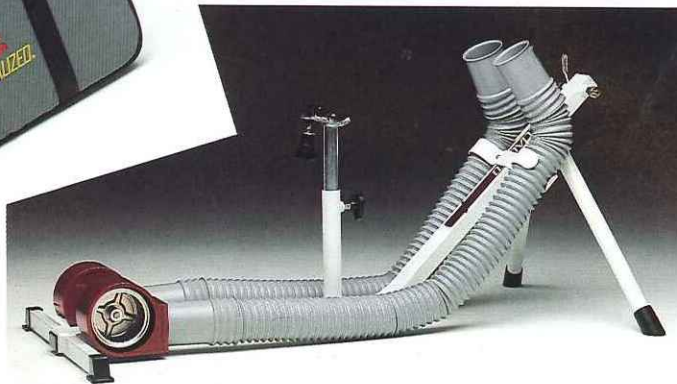
#### MOUNTAINCAGE™

Built to withstand the rigors of off-road riding, this heavy duty version of our FIBRECAGE grips bottles firmly through even the most boneshaking descents. The ultralight MOUNTAINCAGE won't mar your bottles either. Available in Carbon-Fibre Black.



#### SPECIALIZED TRAVEL BAG

Made of lightweight, durable nylon, this bag makes a great carry-along to races, rides and overnights. Featuring a roomy main compartment, large zippered outer pocket and side slash pocket. Available in Burgundy, Navy and Gray.



#### 4000 WIND TRAINER™

Our low profile design provides a low center of gravity for extremely stable footing even during the toughest workouts. A four point stance with legs that can be leveled insure stable operation even on uneven surfaces. High velocity resistance fans are balanced to simulate road conditions. With oversized aircraft quality sealed bearings and an epoxy powder coat finish to resist corrosion, the 4000 will withstand years of hard use.

#### COOLWIND™ BLOWER

Add our COOLWIND blower unit for ventilation and quieter operation. Easily attached to the 4000 trainer, the blower's fan-generated air is channeled where you want it through flexible blower hoses.

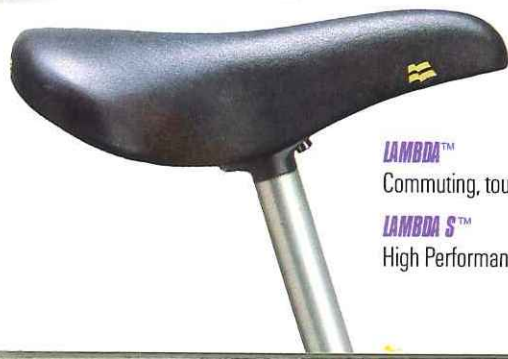


#### GLOVES

Our bi-density padding cushions your palm without stiffening your grip. These gloves are cut to flex with your hand and are made of stretchable, machine washable, cotton/lycra fabric and durable leather-like synthetic that doesn't deteriorate like other gloves. Two models are available: lycra-terry backed, all gray and lycra-terry/lycra backed in gray/aqua, XS-XL.

#### PUMP

SPECIALIZED's pump provides high pressure with accuracy and reliability. A specially designed gauge accommodates high psi, while leaks are a thing of the past thanks to a heavy duty hose fitted with a brass chuck with gum rubber insert. A steel barrel and heavy cast base ensure long life. With presta head, Schraeder adapter available.

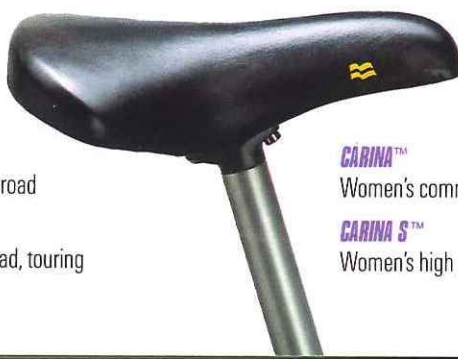


#### LAMBDA™

Commuting, touring, off-road

#### LAMBDA S™

High Performance off-road, touring



#### CARINA™

Women's commuting, short touring

#### CARINA S™

Women's high performance, off-road, touring



#### DELTA™

Sport racing

#### DELTA S™

High Performance competition

# WHEELSMITH™

*WHEELSMITH's famous quality wheels look and feel great right from the box, and stay that way. Built true and tight for a lively, responsive ride, every wheel uses precision WHEELSMITH stainless spokes treated with our SPOKE PREP™ for stability and ease of adjustment.*

## ROAD WHEELS

For sport riders and racers there are three choices: the legendary Mavic MA40 in either 32 or 36 spokes, Mavic's very latest "chromium hardened" rim, the MA50, and the sleek aerodynamic Wolber Profil TX, both in 32 spoke. For the tourist, the classic Wolber model 58 rim best meets the challenge.

Mavic MA40/700C	Specialized hub	six speed spacing	36 hole
Mavic MA40/700C	Specialized hub	six speed spacing	32 hole
Mavic MA40/700C	Campagnolo hub	six speed spacing	32 hole
Mavic MA50/700C	Specialized hub	six speed spacing	32 hole
Wolber TX/700C (aero rim)	Specialized hub	six speed spacing	32 hole
Wolber Model 58/27"	Specialized hub	six speed spacing	36 hole

## OFF-ROAD WHEELS

WHEELSMITH off-road wheels are based upon the most advanced designs. Available in either 126 or 130mm rear spacing, you can choose Saturae's winning X22, Araya's popular RM-20 or the latest Specialized X-26 and GX-26—the World's lightest mountain bike rims! All off-road wheels feature Specialized quick-release hubs with heat treated axles.

Specialized X-26	Specialized hub	symmetrical 126mm five speed spacing	36 hole
Specialized X-26	Specialized hub	130mm six speed spacing	36 hole
Specialized GX-26	Specialized hub	130mm six speed spacing, gray anodized	36 hole
Saturae X22	Specialized hub	symmetrical 126mm five speed spacing	36 hole
Saturae X22	Specialized hub	130mm six speed spacing	36 hole
Araya RM-20	Specialized hub	symmetrical 130mm five speed spacing	36 hole

## SPOKES

WHEELSMITH spokes come in more lengths than any others. A super-uniform elbow, extra accurate length, precision threading and low-friction nipples make building simple and fast. Extra-light butted spokes can save as much as 60 grams per wheel over straight gauges. While WHEELSMITH's swift and sleek aerodynamic spokes shave precious seconds off time-trial attempts. Also, the latest aluminum nipples in black, blue, silver, gold or red now have an improved hard finish. Choose from 2.0, 1.8, in either straight gauge or double butted, or our aerodynamic spokes. Lengths from 158-310mm (varies by gauge) are available.

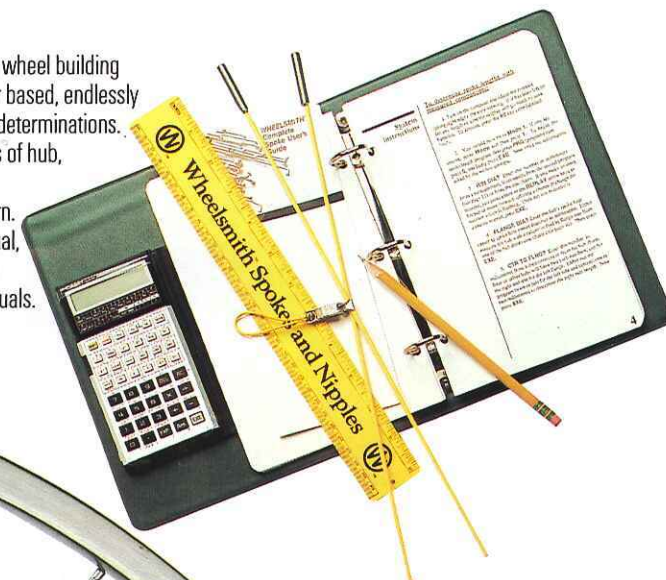


## SPOKE TENSIONMETER™

Now, every wheel builder can accurately determine the tension in built wheels. Complete with comprehensive manual, this tool is easy to use, and permits the consistent construction of optimal wheels. Durable and affordable, this is an essential tool for every builder.

## SPOKE LENGTH SYSTEM™

Eliminate forever all guesswork from wheel building and repair with this simple, computer based, endlessly expandable system for spoke length determinations. Now you can have literally thousands of hub, spoke, rim combinations at your fingertips. It only takes minutes to learn. Includes Spoke Length System manual, preprogrammed microcomputer, rim measuring tools and computing manuals.



## SPOKE PREP™

This single substance provides corrosion resistance for long term adjustability, thread-locking action for hard-riding stability, and superior lubrication for faster building.

## TRUING STATION™

The popular, portable TRUING STATION has been redesigned for greater strength, accuracy and beauty. In its new form it meets the professional builder's standards while offering the economy and compactness desirable for home use.

## DISHING TOOL

The key to perfectly centered wheels, the WHEELSMITH is the only dishing tool that can be used over the axle of a wheel in hand, on a bicycle, or in a truing stand. Works on any size wheel from 16-28 inch diameter and folds for storage or travel. Complete instructions included.





### MOOSE BAG™

A neat, small package that mounts securely to any bar and stem. Provides handy storage space, with an extra pocket. In standard colors plus camo. Volume: 108 cu. in. Weight: 156 gr.

### TIRE STUFFER™

A traditional style under-the-saddle bag, the TAILWIND TIRE STUFFER is perfect to carry a sew-up or folding tire. An outer pocket conveniently holds keys or cash. Volume: 80 cu. in. Weight: 84 gr.

### BRAKE COVER

Our tough, abrasion resistant nylon cover prevents mud buildup on SunTour XC and XC Sport cam brakes. Easy to install without dismantling the brake, this protective cover insures smooth brake operation.



### SADDLE STUFFER™

A versatile way to carry additional gear on tours, or tools and spare tubes on day rides. Three point mounting combined with a lightweight stiffener eliminates sway. At nearly twice the volume, the LARGE SADDLE STUFFER adds an extra-stable four point mounting system. **SADDLE STUFFER:** Volume: 90 cu. in. Weight 99 gr. **LARGE SADDLE STUFFER:** Volume: 149 cu. in. Weight: 113 gr.

### COMPAK™ FRONT PANNIERS

COMPAKs form a rugged all purpose carrying system when combined with the popular low rider type racks. COMPAK fronts use the rack frame for maximum rigidity and minimum weight. Take them over the roughest ground and they'll stay put with no bent hooks or hardware to come loose. Volume: 1264 cu. in./pair Weight: 482 gr./pair

### SHOULDER HOLDER™

The comfortable way to carry your mountain bike. This handy carrying strap lets you transport your mount with ease, while its built in storage compartment makes it more versatile than plain carrying straps. In black only. Volume: 35 cu. in. Weight: 170 gr.

### FITTED STUFF SACKS™

Conserve space with TAILWIND's FITTED STUFF SACKS. Clothing, in particular, can be greatly reduced in volume by stuffing into these sacks. They are perfectly shaped to fit in TAILWIND panniers, so you can get at your gear without removing the entire load. In sets of four, color coded for organized storage.



### FANNYPAK™

Designed specifically for cycling, the TAILWIND FANNYPAK's generous main compartment is perfect to hold lunch, while the side pockets keep keys and change separate and handy. Heavy-duty materials include #7 zippers, two inch wide waist belt, and a quick-release buckle. Volume: 385 cu. in. Weight 150 gr.

### FITTED POUCH™

The TAILWIND FITTED POUCH fits into most waterbottle cages perfectly, or can be tucked away under your saddle. With SPECIALIZED's custom bar mount, you can set the FITTED POUCH into a cage mounted on your handlebars—an ideal place for those small items you want at your fingertips. Volume: 34 cu. in. Weight: 65 gr.

### LITTLE POCKET™

For the little things easily lost in large panniers or stuff sacks, use the LITTLE POCKET. Fitting neatly inside the saddle, the LITTLE POCKET can be mounted virtually anywhere on the bike where there is a 7/8 inch or larger tube. Volume: 16 cu. in. Weight: 28 gr.

### GIANT STUFFER™

Alone, the GIANT STUFFER is perfect for commutes or day rides. Combined with TAILWIND panniers, the GIANT STUFFER provides added space for bulky items like a sleeping bag or tent. Quick-release, adjustable straps allow easy removal, and integral end flap with pushbutton cordlock keep your gear in. Like the matching panniers, the GIANT STUFFER is trimmed with reflective material. Volume: 1020 cu. in. Weight 255 gr.

# TAILWIND™

*Our ultralight TAILWIND TOURING SYSTEM is the only one contoured to reduce drag. All components use full-length wrap-around zippers for easy access, and are constructed of heavy-duty nylon. All TAILWIND items come in black, blue or silver unless noted.*

### SYSTEM ONE PANNIERS™

Aerodynamic SYSTEM ONE PANNIERS employ an innovative three-point mounting system to eliminate flop. Instead of insecure springs and straps, sturdy ball detent pins insert through hooks to firmly lock the panniers to the racks. A rigid, lightweight internal frame maintains their drag reducing aerodynamic shape empty or fully loaded. Large capacity offers plenty of room for all your gear, and each pannier is trimmed with strips of a super reflective material for maximum nighttime visibility. Complete with four color-coded stuff sacks and two waterproof, resealable plastic bags for simple, organized packing. Volume: Front-1436 cu. in./pair, Rear-1783 cu. in./pair Weight: Front-1106 gr./pair, Rear-1306 gr./pair

### TRIPLE TRUNK™ REAR PANNIERS

TAILWIND's TRIPLE TRUNK offers the convenience of the popular "trunk" design with important improvements for rugged use. Dropped side pockets lower the center of gravity for stable handling, and wrap around the carrier for a secure mount that won't slip or come off under the roughest conditions. Volume: 1091 cu. in. Weight: 567 gr.





15130 Concord Circle  
Morgan Hill, CA 95037

\$1.00



12-14 Park Street, Bristol,  
Avon BS1 5HR  
Telephone: (0272) 297368