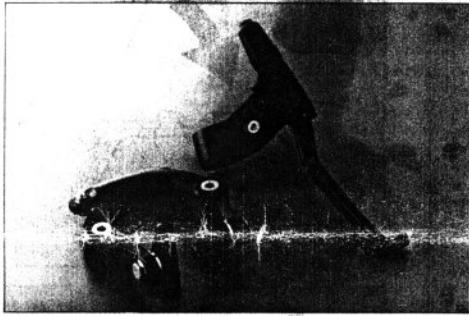


SERVICE INSTRUCTION

Shimano DEORE XT U-Brake

BR-M731 • U-Brake
BL-M730 • Brake lever



SHIMANO DEORE XT

Before use, read these instructions carefully, and follow them for correct use.

Specifications

BR-M731: U-brake

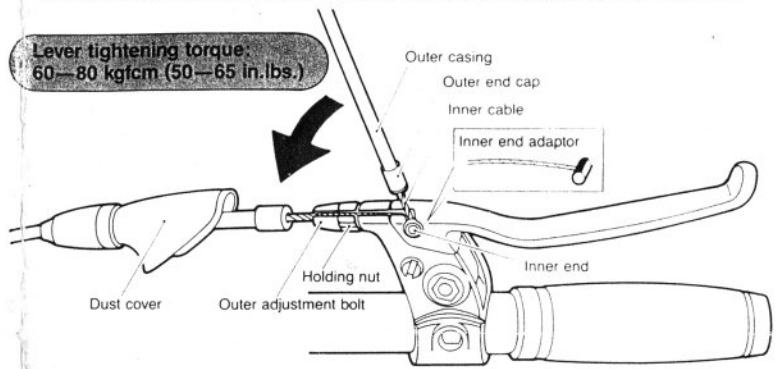
- Weight: 286g (Bolt type)
- Material: Light alloy, steel and resin
- Brake shoe: Low-Profile 60

BL-M730: Brake lever

- Weight: 340g/Pair
- Material: Light alloy and steel
- Installation band diameter: $\varnothing 22.2$ mm

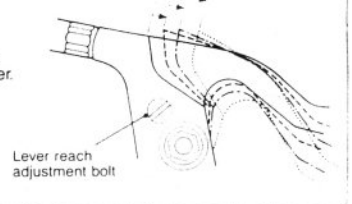
Installation of the brake lever and cable

Pass the inner cable through the outer end cap and the outer casing; then align the lever's slit and the slit of the holding nut and the outer adjustment bolt, and install the brake cable.



■ The use of 2-mm inner cable and 6-mm outer casing is standard.

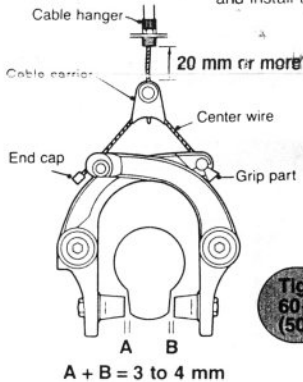
■ Four lever reach settings can be made by turning the lever reach adjustment bolt at the rear of the lever.



Installation of the U-brake

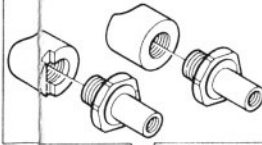
3 Installation of the center wire

- (1) Install the cable carrier to the inner cable.
*The length of cable between the cable carrier and cable hanger should be 20 mm or more.
- (2) Set the center wire as shown in the figure, align the left and right space between the brake shoes and rim equally and adjust the total space to about 3 or 4 mm, and then tighten by using the wire-holding nut.
- (3) Cut the unnecessary center wire and install the end cap.



Tightening torque:
60—90 kgfcm
(50—75 in. lbs.)

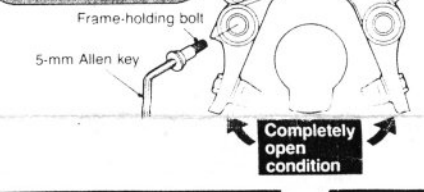
■ Pivot boss for light alloy frame is also available.



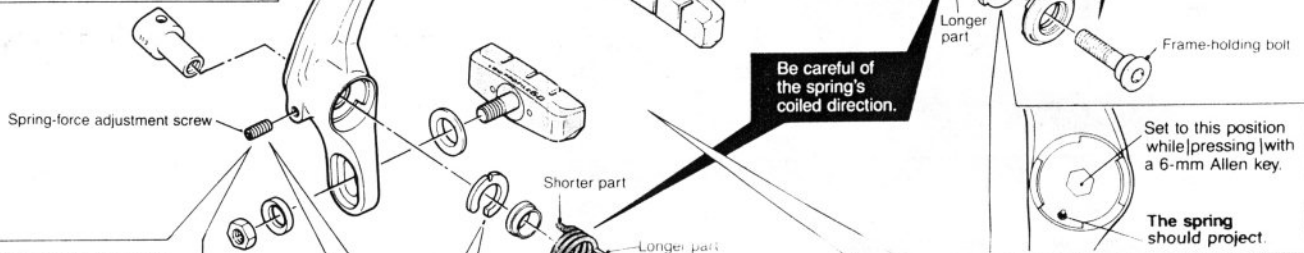
2 Installation to the frame

With the arm completely opened, tighten by using the frame-holding bolts.

Tightening torque:
60—80 kgfcm
(50—70 in. lbs.)



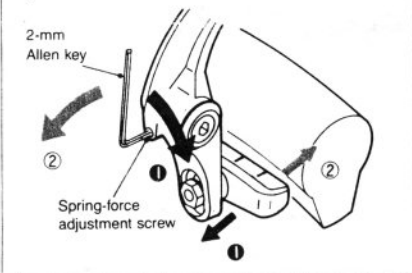
Completely open condition



Set to this position while pressing with a 6-mm Allen key.
The spring should project.

Fine adjustment of shoe clearance

The fine adjustment of the shoe clearance centering (after installation) can be made by the spring-force adjustment screw of the brake arm.



Spring-force adjustment screw

■ The nut type is also available.

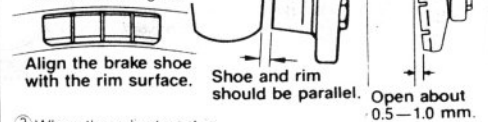


Align the ∇ mark on the boss cap and the \bullet mark on the brake itself, and then fit in.

1 Adjustment and securing of the brake shoes

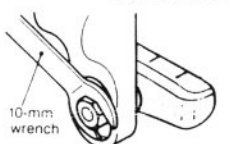
① With the frame holding bolt loosely tightened (so that the arm can move freely), adjust the brake shoe.

② Align the brake shoes to the rim. Then adjust so that the shoe surface and the rim surface are as shown in the figure.



③ When the adjustment is completed, tighten and secure the shoe-holding nut by using a 10-mm spanner.

Tightening torque:
60—90 kgfcm
(50—75 in. lbs.)



10-mm wrench

Please note: Specifications are subject to change for improvement without notice. (English)

SHIMANO AMERICAN CORPORATION SHIMANO (SINGAPORE) PTE. LTD.
One Shimano Drive, Irvine, California, U.S.A. 92718 Tel. (714) 961-5000 No. 03, Borneo Street, Jurong Town, Singapore 2362 Tel. 2654777
SHIMANO (EUROPE) GmbH SHIMANO INDUSTRIAL CO. LTD.
Hilferrade 13, D-40108, Hilden, West Germany Tel. (0210) 3005-0 3-77 Omiya-2-chome, Saitama, Osaka, Japan Tel. (0722) 23-2141