

MT. TAM™



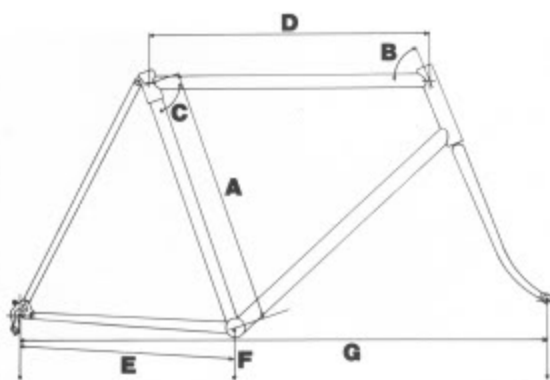
***H**and crafted and fillet brazed in the United States, the **1986 Mt. Tam** establishes fillet brazing as an art form with its beautiful finish work and perfectly radiused fillet brazed joints.*

FISHER  **OUNTAINBIKES**

MT. TAM™

MT. TAM™ FRAME SPECIFICATIONS (All dimensions are in inches and are measured center to center unless otherwise stated)

A SEAT TUBE LENGTH (SIZE)	B HEAD TUBE ANGLE (DEGREE)	C SEAT TUBE ANGLE (DEGREE)	D TOP TUBE LENGTH	E CHAIN STAY LENGTH	F BB HEIGHT W/2.125 KNOBBY TIRES	G WHEEL BASE
14.5"	69.5°	74°	19¾"	16¾"	11"	39¾"
16"	69.5°	71.5°	20¾"	17¼"	11½"	40¾"
18"	69.5°	71.5°	21½"	17¼"	11½"	40¾"
19"	69.5°	71.5°	22¼"	17¼"	11½"	41¼"
19.75"	69.5°	71.5°	22½"	17¼"	11½"	41½"
20.5"	69.5°	71.5°	22¾"	17½"	11¾"	42¾"
21.25"	69.5°	71.5°	23"	17½"	11¾"	42½"
22"	69.5°	71.5°	23¼"	17¾"	11¾"	43"
23"	69.5°	71.5°	23½"	17¾"	11¾"	43¾"
24.5"	69.5°	71.5°	23¾"	17¾"	11¾"	44¾"



FORK OFFSET	GROUND TO TOP OF TOP W/2.125 KNOBBY TIRES
1¾"	26¼"
1¾"	28½"
1¾"	29½"
1¾"	30½"
1¾"	31½"
1¾"	31¾"
1¾"	32¾"
1¾"	33½"
1¾"	34¾"
1¾"	35¾"

FRAME SIZE

14.5", 16", 18", 19", 19.75", 20.5", 21.25", 22", 23" & 24.5".

FRAME MATERIAL

Fisher Tange Prestige quad-buttet expedition tube set. Tubing weight proportional to frame size. Scalloped and beveled seat collar. Shimano forged vertical dropouts with double eyelets.

CONSTRUCTION

U.S. hand built to our strict expedition standards with perfectly radiused fillet brazed joints.

FORK

Butted Tange Unicrown. U.S. hand built and fillet brazed, with silver solder handlebar stub and a helically ribbed, reinforced steering column. Shimano forged forktips with eyelets.

BRAZE ONS

Two water bottles (one down tube, one seat tube), rear rack mounts, fender mounts on chainstay and seatstay bridges, front fork drilled and threaded (6mm x 1mm), oversize slotted cable stops and under bottom bracket cable guides.

HEADSET

Shimano New 600 EX alloy, sealed.

CRANKARMS

New Shimano 600 EX: 165mm on 14.5" & 16", 170mm on 18" & 19", 175mm on 19.75", 20.5" & 21.25", 180mm on 22", 23" & 24.5".

CHAINRINGS

Shimano Biopace: 28/38/48, silver.

BOTTOM BRACKET

Fisher cartridge sealed bearing with 130mm Cro-Mo spindle.

PEDALS

Suntour XC-II ovals.

CHAIN

D.I.D. Lannier, black.

FREEWHEEL

Shimano New Dura-Ace EX freehub 6-spd; 12/14/17/20/24/28.

FRONT DERAILLEUR

Shimano Deore XT.

REAR DERAILLEUR

Shimano Light Action L-525-SGS, with steel Dura-Ace steel upper pulley.

SHIFTERS

Suntour XC.

HANDLEBARS

Bullmoose® Clamp-on, Cro-Mo or alloy in four styles, painted to match frame. Engraved alloy stub cap.

GRIPS

Magura Ergo.

FRONT BRAKE

Shimano Deore XT cantilever, silver.

REAR BRAKE

Suntour XC Sport roller cam with Cam Cover.

BRAKE LEVERS

Shimano Deore XT.

BRAKE CABLE SET

Heavy duty braided cable, oversize flat wound housing with Teflon liner. Front cable elbow and brass ferrules.

HUBS

Shimano New Dura-Ace EX sealed with quick release.

RIMS

Araya RM-20 silver.

TIRES

Fisher Fatrax™ 202.

SPOKES

14/15/14 gauge double butted stainless steel with brass nipples.

SEAT

Fisher Lambda S.

SEAT POST

Suntour XC: 26.8mm x 300mm.

SEAT POST Q.R.

Suntour QR-170 with Hite-Rite seat locator: 2.5" on 14.5"-20.5", 5.5" on 21.25"-24.5".

EXTRAS

Stay Tuff chainstay protector.

PAINT

Ditzler primer, three coats Imron color, two coats clear over decals.

COLORS

Gloss finish: Real Teal, Thunder Grey and Chrome Yellow/Bright Green blended two tone.

FISHER MOUNTAINBIKES

1421 EAST FRANCISCO BOULEVARD SAN RAFAEL, CA 94901

PROCALIBER™



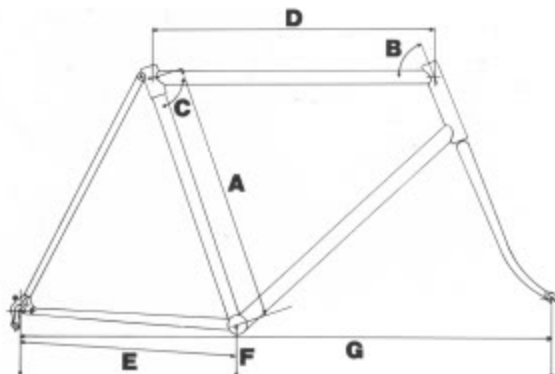
ProCaliber is a production racing mountain bike designed in keeping with our National Off-Road Championship heritage. ProCaliber compliments its race proven design with an integrated race component package comprised of the best equipment the industry has to offer. ProCaliber gives you the ride of champions.

FISHER  **OUNTAINBIKES**

PROCALIBER™

PROCALIBER™ FRAME SPECIFICATIONS (All dimensions are in inches and are measured center to center unless otherwise stated)

A SEAT TUBE LENGTH (SIZE)	B HEAD TUBE ANGLE (DEGREE)	C SEAT TUBE ANGLE (DEGREE)	D TOP TUBE LENGTH	E CHAIN STAY LENGTH	F BB HEIGHT W/2.125 KNOBBY TIRES	G WHEEL BASE
18"	69.5°	73.5°	21¾"	17"	11½"	41¼"
19"	69.5°	73.5°	22¼"	17"	11¾"	41¾"
20"	69.5°	73.5°	22½"	17¼"	11½"	42¾"
21"	69.5°	73.5°	23"	17¼"	11½"	43"



FORK OFFSET	GROUND TO TOP OF TOP W/2.125 KNOBBY TIRES
1¾"	29½"
1¾"	30½"
1¾"	31"
1¾"	32"

FRAME SIZE

18", 19", 20" & 21"

FRAME MATERIAL

Fisher Tange Prestige quad-buttet competition tube set. Tubing weight proportional to size of frame. Scalloped and beveled seat collar. Shimano forged vertical dropouts with eyelets.

CONSTRUCTION FORK

Designed by Fisher in the U.S. and built to our racing specifications in Japan.

Butted Tange Unicrown. Hand TIG welded with doubled brazed cantilever bosses. Shimano forged fork tips with eyelets.

BRAZE ONS

Two water bottles (one down tube, one seat tube), oversize slotted cable stops & under bottom bracket cable guides.

HEADSET

Shimano New Dura-Ace EX alloy, sealed.

CRANKARMS

Shimano New 600 EX: 170mm on 18", 175mm on 19" & 20", 180mm on 21".

CHAINRINGS

Shimano round: 24/34/46, silver.

BOTTOM BRACKET

Fisher cartridge sealed bearing with 130mm Cro-Mo spindle.

PEDALS

Suntour XC-Compe, black, with double toe clips and Sugino Nylon toe straps.

CHAIN

D.I.D. Dia-Hard, silver.

FREEWHEEL

Shimano New Dura-Ace EX freehub 6-spd; 12/13/15/18/21/26.

FRONT DERAILLEUR

Shimano Deore XT.

REAR DERAILLEUR

New Shimano 600 EX with medium length cage and Dura-Ace steel upper pulley.

SHIFTERS

Suntour XC.

HANDLEBAR

Bullmoose® Clamp-on alloy, with oval struts, painted to match frame. Alloy expander stub. Handlebar rise and extension proportioned to frame size; #253 on 18" & 19", #250 on 20" & 21".

GRIPS

Magura Ergo.

FRONT BRAKE

Shimano Deore XT cantilever, silver.

REAR BRAKE

Suntour Sport roller cam, grey hard anodized, with Cam Cover.

BRAKE LEVERS

Suntour XC.

BRAKE CABLE SET

Heavy duty braided cable, oversize flat wound housing with Teflon liner. Brass ferrules.

HUBS

Shimano New Dura-Ace EX sealed freehub, quick release.

RIMS

Araya RM-20, grey, hard anodized.

TIRES

Fisher Fatrax™ 202.

SPOKES

14/15/14 gauge double butted stainless steel with alloy nipples.

SEAT

Fisher Delta S.

SEAT POST

Suntour XC: 26.8mm x 200mm on 18", 300mm on 19", 20" & 21".

SEAT POST Q.R.

Suntour QR-170 with Hite-Rite: 2.5" on 18" & 19", 5.5" on 20" & 21".

EXTRAS

Stay Tuff chainstay protector.

COLORS

Gloss finish: Bright Blue, Chrome Yellow. Clear coat over decals.

FISHER MOUNTAINBIKES

1421 EAST FRANCISCO BOULEVARD SAN RAFAEL, CA 94901

COMPETITION



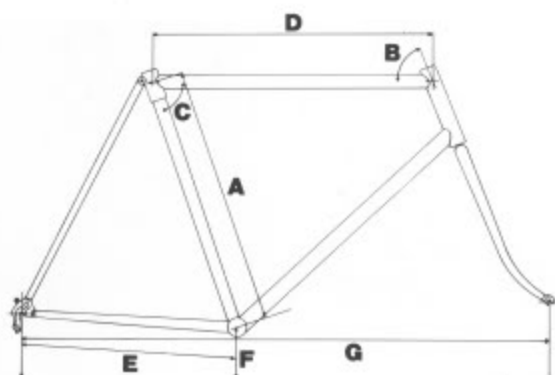
The Competition, ridden to victory by Joe Murray in the '84 and '85 NORBA National Championships, represents the ultimate achievements of our research and development race team in defining the standards for componentry, frame materials and frame design.

FISHER  **MOUNTAINBIKES**

COMPETITION

COMPETITION FRAME SPECIFICATIONS (All dimensions are in inches and are measured center to center unless otherwise stated)

A	B	C	D	E	F	G
SEAT TUBE LENGTH (SIZE)	HEAD TUBE ANGLE (DEGREE)	SEAT TUBE ANGLE (DEGREE)	TOP TUBE LENGTH	CHAIN STAY LENGTH	BB HEIGHT W/2.125 KNOBBY TIRES	WHEEL BASE
16"	69.5°	74°	21 1/8"	17"	11 3/8"	40 3/4"
18"	69.5°	73.5°	21 3/4"	17"	11 3/8"	41 1/4"
19"	69.5°	73.5°	22 1/4"	17"	11 3/8"	41 3/4"
20"	69.5°	73.5°	22 1/2"	17 1/4"	11 1/2"	42 3/4"
21"	69.5°	73.5°	23"	17 1/4"	11 1/2"	43"
22"	69.5°	73.5°	23 1/4"	17 1/2"	11 1/2"	43 3/8"



FORK OFFSET	GROUND TO TOP OF TOP W/2.125 KNOBBY TIRES
1 1/4"	28 5/8"
1 3/4"	29 1/2"
1 3/4"	30 1/2"
1 3/4"	31 1/2"
1 3/4"	32 5/8"
1 3/4"	33 5/8"

FRAME SIZE

16", 18", 19", 20", 21" & 22".

FRAME MATERIAL

Fisher Tange Prestige quad-buttet competition tube set. Tubing weight proportional to size of frame. Scalloped and beveled seat collar. Shimano forged vertical dropouts.

CONSTRUCTION

Designed for our winning race team members. Fillet brazed and handmade in the U.S. to our National Off-Road Champion race team standards.

FORK

Butted Tange Unicrown. U.S. handmade and fillet brazed with silver soldered handlebar stub and a helically ribbed, reinforced steering column. Shimano forged fork tips.

BRAZE ON'S

Two water bottles (one down tube, one seat tube), oversize slotted cable stops & under bottom bracket cable guides.

HEADSET

Shimano New Dura-Ace EX alloy, sealed.

CRANKARMS

New Shimano 600 EX: 165mm on 16", 170mm on 18", 175mm on 19" & 20", 180mm on 21" & 22".

CHAINRINGS

Shimano round: 24/34/46, silver.

BOTTOM BRACKET

Fisher cartridge sealed bearing with 130mm Cro-Mo spindle.

PEDALS

Suntour XC-Compe with double toe clips, Binda Extra toe straps and WTB toe flips.

CHAIN

D.I.D. Lannier Dia-Hard, silver.

FREEWHEEL

Shimano New Dura-Ace EX freehub 6-spd: 12/13/15/18/21/26.

FRONT DERAILLEUR

Shimano Deore XT.

REAR DERAILLEUR

Shimano New Dura-Ace.

SHIFTERS

Suntour XC.

HANDLEBAR

Bullmoose® Clamp-on, Cro-Mo or alloy in four styles. Painted to match frame. Engraved alloy stub cap.

GRIPS

Magura Ergo.

FRONT BRAKE

Shimano Deore XT.

REAR BRAKE

Suntour XC roller cam with Cam Cover.

BRAKE LEVERS

Suntour XC.

BRAKE CABLE SET

Heavy duty braided cable, oversize flat wound housing with Teflon liner. Front cable elbow and brass ferrules.

HUBS

Shimano New Dura-Ace EX sealed freehub, quick release.

RIMS

Araya RM-20, grey, hard anodized.

TIRES

Fisher Fatrax™ 202.

SPOKES

14/15/14 gauge double butted stainless steel with alloy nipples.

SEAT

Fisher Delta S.

SEAT POST

Suntour XC: 26.8mm x 300mm.

SEAT POST Q.R.

Suntour QR-170 with Hite-Rite seat locator.

EXTRAS

Stay Tuff chainstay protector.

PAINT

Ditzler primer, three coats Imron color, two coats clear over decals.

COLORS

Gloss finish: Black/Yellow/Red blended tri-color and Bright Blue/Chrome Yellow blended two tone.

FISHER MOUNTAIN BIKES

1421 EAST FRANCISCO BOULEVARD SAN RAFAEL, CA 94901

MONTARE™



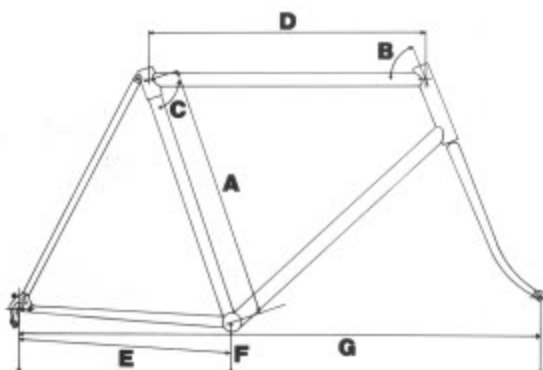
The Fisher Montare, like all our models, is designed and equipped in proportion to the size of the rider. Our smaller bikes have shorter top tubes, shorter reach bars, shorter chainstays, shorter crankarms, lighter gauge tubing and lighter rims than do our larger bikes. All this adds up to what *Cyclist Magazine* has described as "like getting a custom bike for a stock price."

FISHER MOUNTAINBIKES

MONTARE™

MONTARE™ FRAME SPECIFICATIONS (All dimensions are in inches and are measured center to center unless otherwise stated)

A SEAT TUBE LENGTH (SIZE)	B HEAD TUBE ANGLE (DEGREE)	C SEAT TUBE ANGLE (DEGREE)	D TOP TUBE LENGTH	E CHAIN STAY LENGTH	F BB HEIGHT W/2.125 KNOBBY TIRES	G WHEEL BASE
16"	69.5°	71.5°	20¾"	17¼"	11½"	40¾"
18"	69.5°	71.5°	21½"	17¼"	11½"	40¾"
19"	69.5°	71.5°	22¼"	17¼"	11½"	41¼"
20.5"	69.5°	71.5°	22¾"	17½"	11¾"	42¾"
22"	69.5°	71.5°	22¾"	17¼"	11¾"	43"



FORK OFFSET	GROUND TO TOP OF TOP W/2.125 KNOBBY TIRES
1¾"	28¼"
1¾"	29½"
1¾"	30½"
1¾"	31¾"
1¾"	33"

FRAME SIZE

16", 18", 19", 20.5" & 22".

FRAME MATERIAL

Fisher Tange Custom expedition strength Cro-Mo double butted tubing. Tubing weight proportional to size of frame. Scalloped and beveled seat collar. Shimano forged vertical dropouts with double eyelets.

CONSTRUCTION

Designed by Fisher in the U.S. and built to our strict expedition standards in Japan. Hand TIG welded and fillet brazed.

FORK

Butted Tange Unicrown. Hand TIG welded with doubled brazed cantilever bosses. Shimano forged fork tips with eyelets.

BRAZE ON'S

Two water bottles (one down tube, one seat tube), rear rack mounts, fender mounts on chainstay & seatstay bridges, front fork drilled and threaded (6mm x 1mm), oversize slotted cable stops & under bottom bracket cable guides.

HEADSET

Shimano New 600 EX alloy, sealed.

CRANKARMS

Shimano New 600 EX: 165mm on 16", 170mm on 18", 175mm on 19" & 20.5", 180mm on 22".

CHAINRINGS

Shimano Biopace: 28/38/48, silver.

BOTTOM BRACKET

Fisher cartridge sealed bearing with 130mm Cro-Mo spindle.

PEDALS

Suntour XC-II oval with black body and cage.

CHAIN

D.I.D. Lannier, black.

FREEWHEEL

New Shimano 600 EX 6-spd: 13/15/18/21/25/30.

FRONT DERAILLEUR

Shimano Deore XT.

REAR DERAILLEUR

New Shimano Light Action L-525-SGS with Dura-Ace steel upper pulley.

SHIFTERS

Shimano Deore XT.

HANDLEBAR

Bullmoose® TIG welded Cro-Mo, painted to match frame. Handlebar rise and extension proportioned to size of frame; #253 on 16 & 18", #902B on 19" & 20.5", #250 on 22".

GRIPS

Grab-On MTB.

FRONT BRAKE

Shimano Deore XT cantilever, silver.

REAR BRAKE

Suntour XC Sport roller cam with Cam Cover.

BRAKE LEVERS

New Shimano Deore XT with reach adjusters.

BRAKE CABLE SET

Heavy duty braided cable, oversize flat wound housing with Teflon liner. Brass ferrules.

HUBS

Fisher Suntour sealed, quick release.

RIMS

Araya RM-20 silver on 16", 18" & 19". RM-25 silver on 20.5" & 22".

TIRES

Panaracer Ibox.

SPOKES

14 gauge stainless steel with brass nipples.

SEAT

Fisher Lambda S.

SEAT POST

Strong Mtn.: 26.8mm x 260mm on 16", 18" & 19", 300mm on 20.5" & 22".

SEAT POST Q.R.

Suntour QR-170.

EXTRAS

Stay Tuff chainstay protector.

COLORS

Gloss finish: Bright Red, Forest Green. Clear coat over decals.

FISHER MOUNTAINBIKES

1421 EAST FRANCISCO BOULEVARD SAN RAFAEL, CA 94901