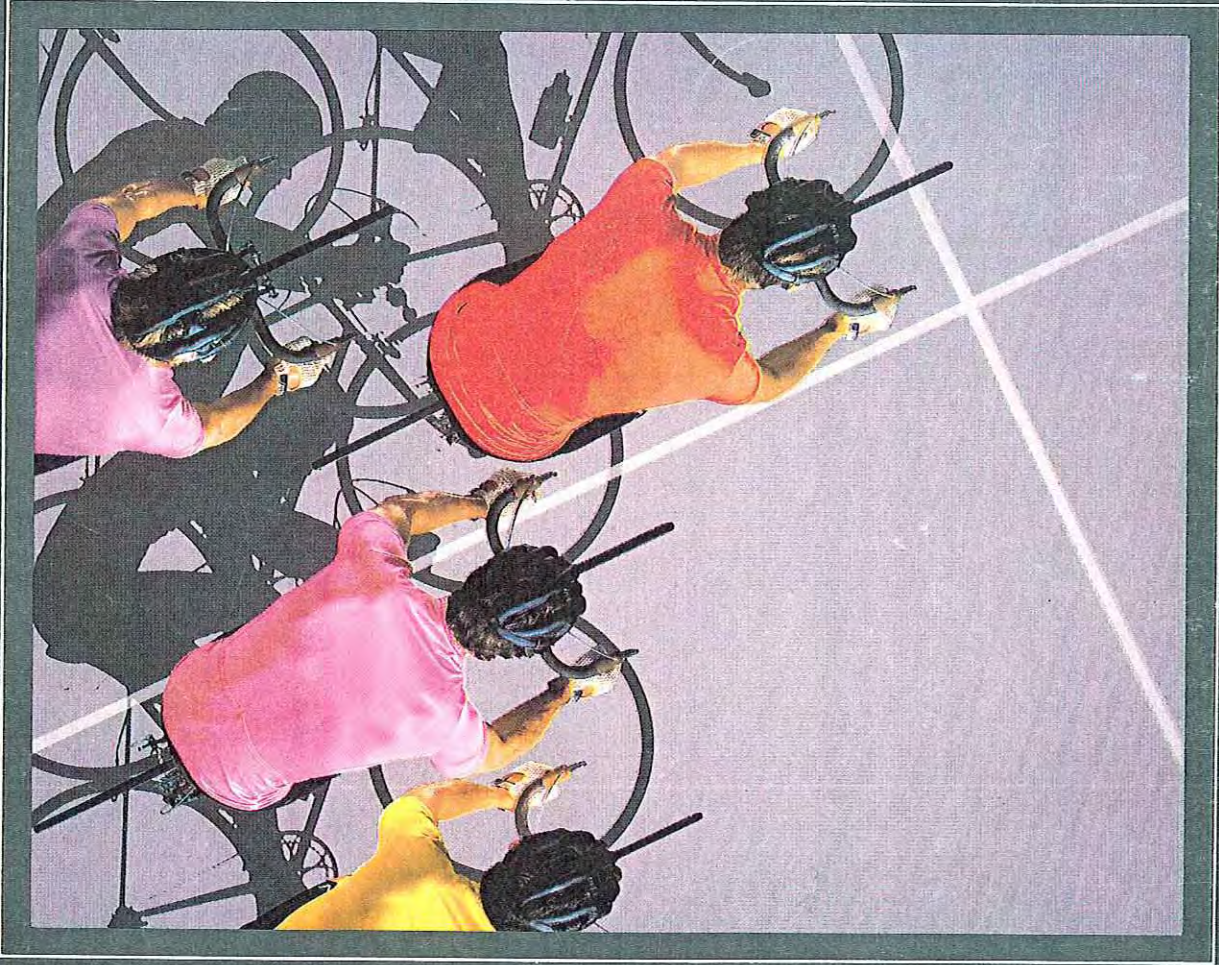


84'

1984



Span

~~914 440~~

914 440

TREK

460

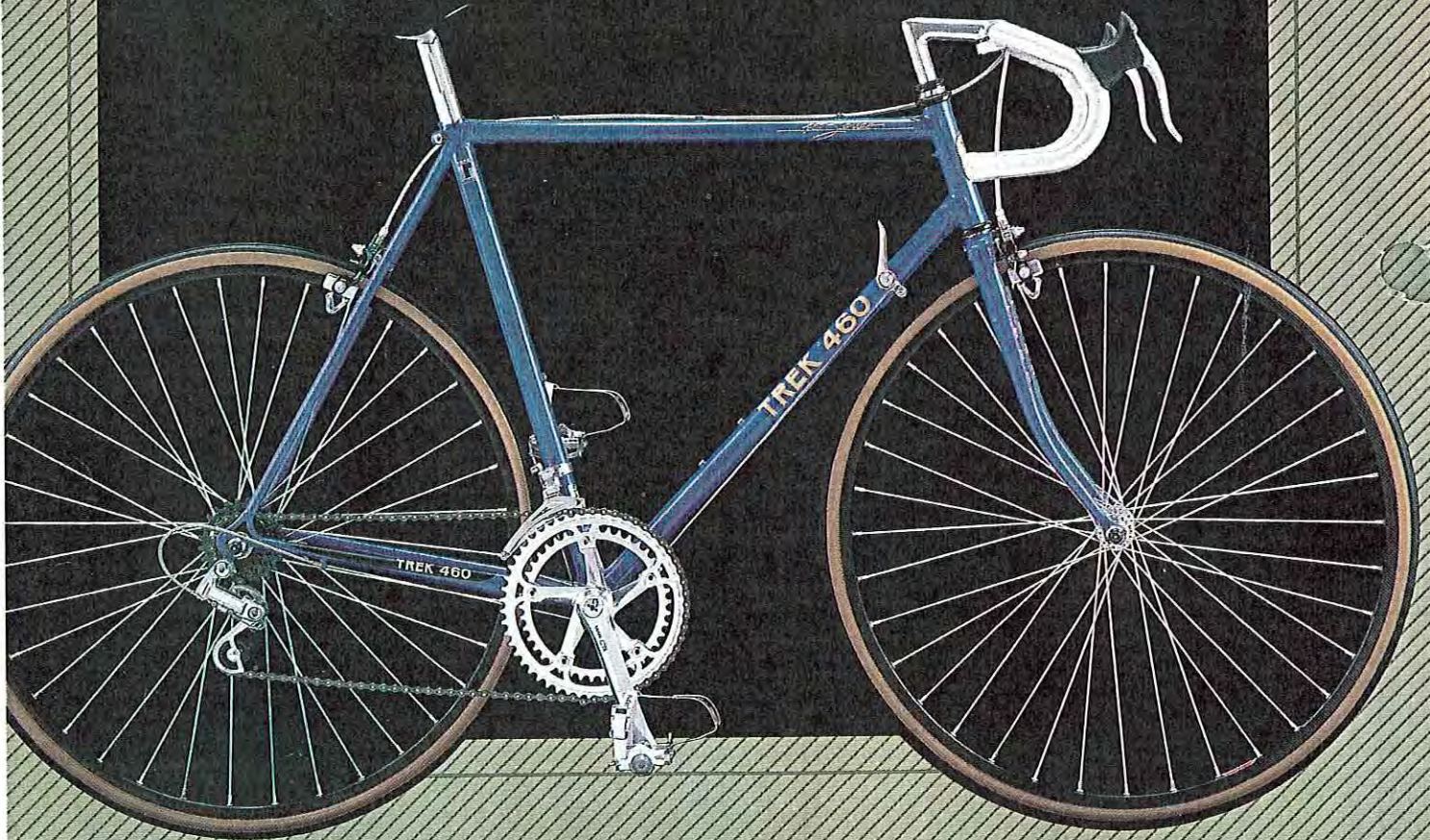
New for this year, the Trek 460 offers true short-wheelbase racing geometry together with some very lightweight components, including a featherweight price-tag. Also features new Shimano quick-shifting derailleurs, Z-505 narrow alloy presta rims and high-pressure tires. An excellent starting point for the rider interested in serious training or the competitive athlete who's new to cycling.



The new SR asymmetrical crankset.



Black-accent short-reach brakeset reacts swiftly and surely.



560

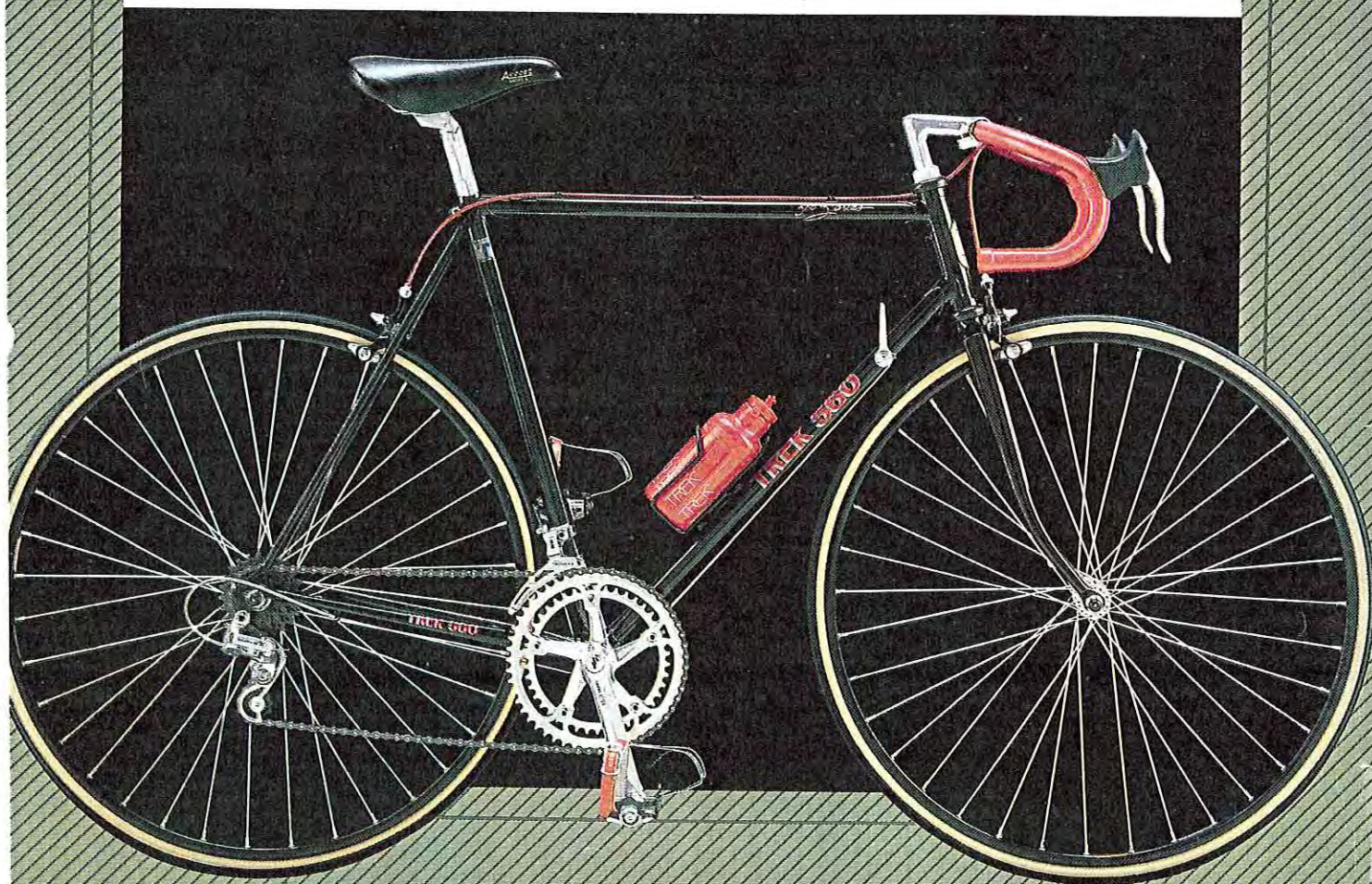
Finally, a racing bike for under \$500 that won't get laughed off the starting line. The 560 was designed for fast club riding, triathlons, or Category IV racing. It boasts a genuine Reynolds 501 racing frame, which meshes perfectly with a group of all-alloy racing componentry – including SR's newly styled cranks, Aero handlebars and Matrix black-anodized wheels for lighter weight and lightning-quick reflexes.



Narrow-profile Aero Gran Compe sidepulls.



Sleek aero-style handlebars and brake levers.



660

A well-composed racing bicycle with contributions from the world's finest component makers. From England, Reynolds 531 frame tubing. From Italy, Campagnolo cranks and derailleurs with Modolo brakes. From France, Maillard's revolutionary Helicomatic freewheel-hub. And from the United States, an Avocet R-1 saddle, Matrix hard-anodized rims, and the Trek technology that puts it all together.



The 660's drivetrain:
Campagnolo Nuovo Record.



The 660's transmission:
Campagnolo's legendary
quick-shifting design.



760

A high-performance Reynolds 531 road-racing frame equipped with SunTour's Superbe Pro componentry. Investment-cast lugs and bottom-bracket shell are utilized for superlative fit and finish. The addition of the new Avocet Turbo saddle and hard-coat tubular wheels with Wolber sew-ups give the 760 no serious competition at anywhere near the price.



Reynolds 531 fork blades and an investment-cast crown.



SunTour's Superbe Pro group – streamlined, and efficient.



770

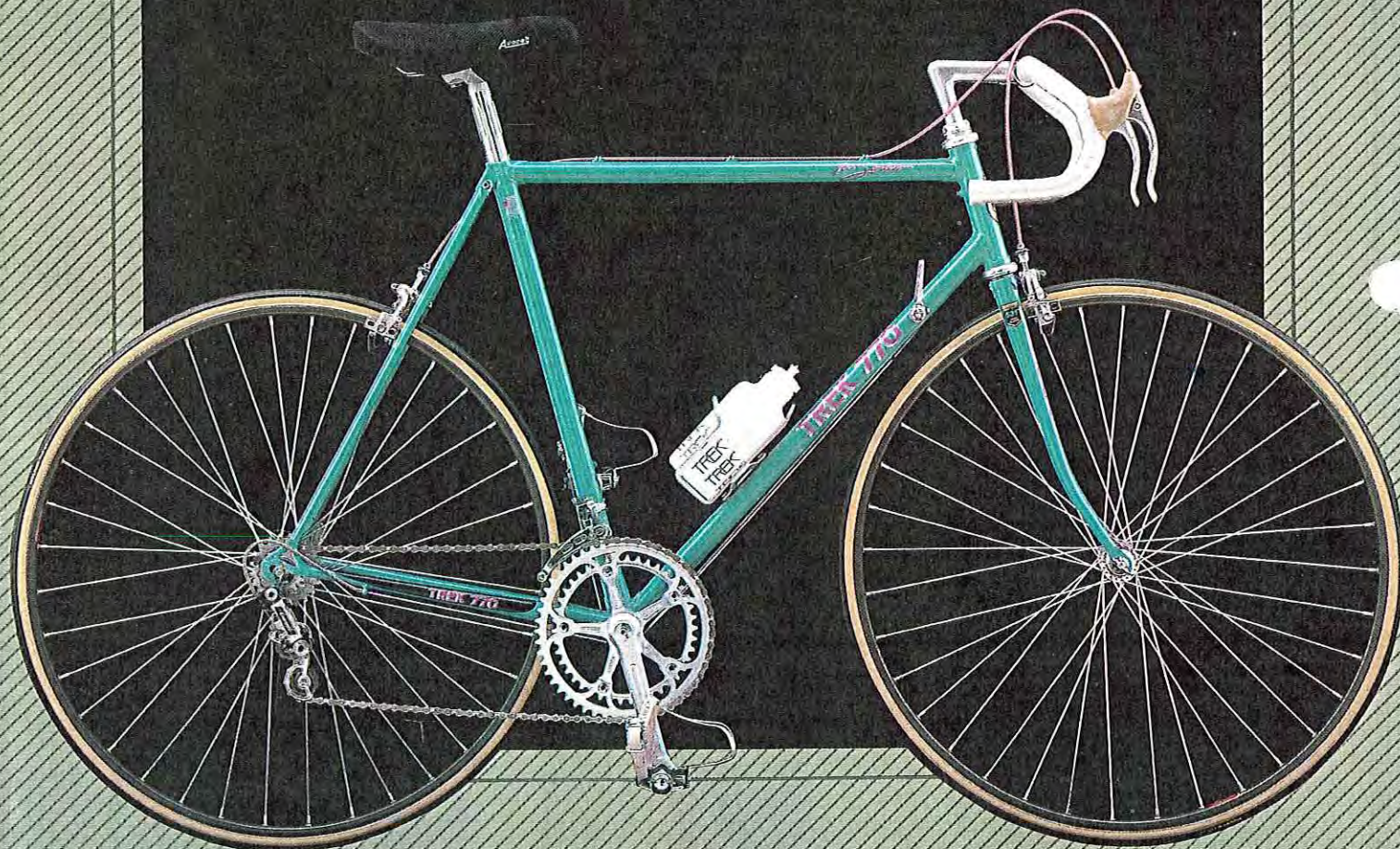
The same stiff, tightly-responsive frame as the Trek 760, but with Campagnolo's best Super Record gruppo bolted on. Fitted with Super Champion's "Aspen" tubular wheels and Wolber Pro 84 tires, the bicycle weighs in at just over 20 pounds. A bicycle capable of taking you all the way to Category I.



Close tolerance investment-cast bottom bracket shell.



The 770 "gruppo" — nothing less than Campagnolo's Super Record throughout.



170

Trek's definitive statement of what a racing bicycle can be. Exotic Reynolds 753 tubing brazed with silver, and fanatical care, by a Reynolds-certified master framebuilder. All Campagnolo S.R. componentry, of course. This year, the 170 is also available in your choice of any of 14 DuPont Imron colors. All of which look very good in a speeding blur.



Campagnolo's revolutionary titanium freewheel.



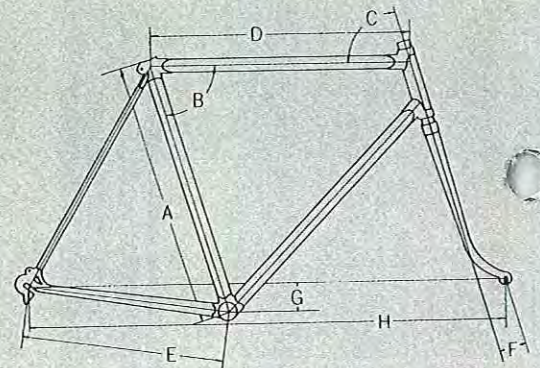
Reynolds 753 tubes joined by Trek's unique cast seat lug.



TREK 1984 RACING FRAME GEOMETRY

Model	Size	A Seat Tube Length	B Seat Tube Angle	C Head Tube Angle	D Top Tube Length	E Chain Stay Length	F Fork Offset	G Drop	H Wheel Base
460	22.5"	56.0	73.5°	73.0°	56.0	41.5	4.5	7.2	99.7
560	22.5"	56.0	73.5°	73.0°	56.0	41.5	4.5	7.2	99.7
660	22.5"	56.0	73.5°	73.0°	56.0	41.5	4.5	7.2	99.7
760	58cm	57.0	74.0°	73.5°	57.0	41.2	3.8	7.2	99.2
770	58cm	57.0	74.0°	73.5°	57.0	41.2	3.8	7.2	99.2
170	58cm	57.0	74.0°	73.5°	57.0	41.2	3.8	7.2	99.2

All dimensions are in cm unless otherwise indicated.



RACING SPECIFICATIONS

460

Frame:

Main Tubes: Tange 1000 Chromoly Double Butted
Fork & Stays: Tange High Tension
Headset: Tange MA-60 Black

Fork Crown: Tange CCL Semi-Sloping
Bottom Bracket: Nikko w/Trek Cable Guides
Lugs: Nikko Short Point Seamless
Drop-Outs: Suntour GS Forged
Seat Post Binder Bolt: Sugino

Special Braze Ons: Top Tube Cable Guides, 2 Water Bottle Mounts, Chain Hanger, Top Tube Pump Peg
Frame Sizes: 19", 21", 22.5", 24", 25.5"
Color: Race Blue
Components:
Crank: SR CRC-101 Forged Alloy 52/42

Pedals: SR-SP-150SE Alloy Quill
Derail: Shimano Z505 Rear, Z206 Front
Lever: Shimano Z-408
FW: Atom Helicomatic 13-24 6-spd.
Chain: Sedisport
Brakes: Dia Compe QS 400N Black w/Hooded Aero Levers

Bar/Stem: Belleri Racing/Belleri Aero Stem
Hubs: Atom Sport Helicomatic QR Alloy
Rims: Matrix Strada 13-20 Alloy Black Anodized
Tires: Trek 700x25c Skinwall
Saddle: Avocet

Seat Post: SR-P5E Laprade Type Forged Alloy
Extras: Lapize Toe Clips & Straps

560

Frame:

Main Tubes: Reynolds 501 Cromalloy Double Butted
Fork & Stays: Tange 2001 Mangalloy

Headset: Stronglight B-10 Black Delrin
Fork Crown: Tange 1175 Aero
Bottom Bracket: Nikko w/Trek Cable Guides
Lugs: Nikko Short Point Seamless
Drop-Outs: Tange TR Forged w/Adjustors

Special Braze Ons: Top Tube Cable Guides, 2 Water Bottle Mounts, Chain Hanger, Top Tube Pump Peg, Shift Lever Bosses
Frame Sizes: 19", 21", 22.5", 24", 25.5"
Color: Black

Components:
Crank: SR CRC-101 Forged Alloy 52/42
Pedals: SR-SP-100 Black Alloy Quill
Derail: Suntour Cyclone MK II Short Cage Rear, Cyclone MK II Front
Lever: Suntour LD 3350 Braze-on
FW: Atom Helicomatic 13-24 6-spd.

Chain: Sedisport
Brakes: Dia Compe AC 300G Aero Black w/Hooded Aero Levers
Bar/Stem: Belleri Aero Alloy
Hubs: Atom Sport Helicomatic QR Alloy
Rims: Matrix Strada 13-20 Alloy Black Anodized

Tires: National Panaracer High Extra 700x25c
Saddle: Avocet Racing I
Seat Post: SR P5 Laprade Forged Alloy
Extras: Lapize Toe Clips & Straps, Bottle & Blackburn Cage

660

Frame:

Main Tubes: Reynolds 531-CS Double Butted
Fork & Stays: Reynolds 531-CS
Headset: Stronglight B-10 Black Delrin

Fork Crown: 1175 Aero
Bottom Bracket: Nikko w/Trek Cable Guides
Lugs: Nikko Short Point Seamless
Drop-Outs: Tange TR Forged w/Adjustors
Seat Post Binder Bolt: Integral

Special Braze Ons: Top Tube Cable Guides, 2 Water Bottle Mounts, Chain Hanger, Shift Lever Bosses
Frame Sizes: 50, 52, 54, 56, 58, 60, 62cm
Color: Race Red
Components:
Crank: Campagnolo New Record 52/42

Pedals: SR-SP-12 Aero
Derail: Campagnolo New Record
Lever: Campagnolo New Record Braze-On
FW: Maillard 700 Helicomatic 13-24 6-spd.
Chain: Sedisport Silver

Brakes: Modolo Speedy Black w/Hooded Black Levers
Bar/Stem: SR World Custom/SR Aero Alloy
Hubs: Maillard 700 Helicomatic QR Alloy
Rims: Matrix Strada 13-20 Anodic Black

Tires: National Panaracer High Extra 700x25c
Saddle: Avocet R1
Seat Post: SR P5 Laprade Forged Alloy
Extras: SR Aero Toe Clips/Christophe Toe Straps, Bottle & Blackburn Cage

760*

Frame:

Main Tubes: Reynolds 531P Double Butted
Fork & Stays: Reynolds 531P
Headset: Stronglight A-9 Alloy

Fork Crown: Tange C-14 Investment Cast
Bottom Bracket: Trek Investment Cast w/Integral Cable Guides
Lugs: Trek Investment Cast Seat Lug, Tange Cast Short Point
Drop-Outs: Campagnolo 1010B
Seat Post Binder Bolt: Sugino

Special Braze Ons: Top Tube Cable Guides, 2 Water Bottle Mounts, Chain Hanger, Shift Lever Bosses, Top Tube Pump Peg
Frame Sizes: 50, 52, 54, 56, 58, 60, 62cm
Color: Purple
*Also available as a Frameset only

Components:
Crank: Suntour Superbe CW-1000 52/42
Pedals: Suntour Superbe Pro PL-4000 Sealed Bearing
Derail: Suntour Superbe Pro
Lever: Suntour Superbe Pro 3250 Braze-On

FW: Suntour New Winner Ultra 12-21 7-spd.
Chain: Sedisport Silver
Brakes: Suntour Superbe Pro CB-3000 w/Hooded Levers
Bar/Stem: Cinelli 64/Cinelli 1/A
Hubs: Suntour Sprint S.F. Sealed Bearing QR

Rims: Wolber/Super-Champion Aspen Hard Coat Tubular
Tires: Wolber Neo Pro 260g Tubular
Saddle: Avocet R-II Turbo
Seat Post: SR P5 Laprade Forged Alloy
Extras: Christophe Clips & Straps, Bottle & Blackburn Cage, Wolber Tubular Cement

770*

Frame:

Main Tubes: Reynolds 531P Double Butted
Fork & Stays: Reynolds 531P
Headset: Campagnolo Super Record

Fork Crown: Tange C-14 Investment Cast
Bottom Bracket: Trek Investment Cast w/Integral Cable Guides
Lugs: Trek Investment Cast Seat Lug, Tange Cast Short Point
Drop-Outs: Campagnolo 1010B
Seat Post Binder Bolt: Sugino

Special Braze Ons: Top Tube Cable Guides, 2 Water Bottle Mounts, Chain Hanger, Shift Lever Bosses, Top Tube Pump Peg
Frame Sizes: 50, 52, 54, 56, 58, 60, 62cm
Color: Green
*Also available as a Frameset only

Components:
Crank: Campagnolo Super Record w/Record BB 52/42
Pedals: Campagnolo SL Black
Derail: Campagnolo Super Record
Lever: Campagnolo Record Braze-On
FW: Suntour New Winner Ultra 12-21 7-spd.

Chain: Sedisport Silver
Brakes: Campagnolo Super Record
Bar/Stem: Cinelli 64/Cinelli 1/R
Hubs: Campagnolo Record S.F.
Rims: Wolber/Super Champion Aspen Hard Coat Tubular
Tires: Wolber Pro 84 230g Tubulars
Saddle: Avocet Racing II Turbo

Seat Post: Campagnolo Super Record
Extras: Campagnolo Alloy Toe Clips, Binda Super Straps, Bottle & Blackburn Cage, Wolber Tubular Cement

170*

Frame:

Main Tubes: Reynolds 753R Double Butted
Fork & Stays: Reynolds 753R
Headset: Campagnolo Super Record

Fork Crown: Tange C-14 Investment Cast
Bottom Bracket: Trek Investment Cast w/Integral Cable Guides
Lugs: Trek Inv. Cast Seat Lug, Tange Short Point
Drop-Outs: Campagnolo 1010B
Seat Post Binder Bolt: Sugino

Special Braze Ons: Top Tube Cable Guides, 2 Water Bottle Mounts, Shift Lever Bosses, Chain Hanger, Top Tube Pump Peg
Frame Sizes: 50, 52, 54, 56, 58, 60, 62cm
Color: Special
*Also available as a Frameset only

Components:
Crank: Campagnolo Super Record w/Record BB 52/42
Pedals: Campagnolo Super Record Titanium
Derail: Campagnolo Super Record
Lever: Campagnolo Record Braze-On

FW: Campagnolo Titanium/Alloy 12-20 6-speed
Chain: Sedisport Silver
Brakes: Campagnolo Super Record
Bar/Stem: Cinelli VIP Suede Covered/Cinelli 1R
Hubs: Campagnolo Record S.F. w/Quick Release

Rims: Not Included
Tires: Not Included
Saddle: Cinelli VIP Suede Covered
Seat Post: Campagnolo Super Record
Extras: Campagnolo Alloy Clips & Binda Super Straps, Bottle & Blackburn Cage, VIP Tubular Bag

Trek bicycles consist of thousands of component parts and materials made by Trek or purchased from sources around the world. Changes in customer demand or availability occasionally necessitate temporary or permanent substitution of parts specified. If substitution is made, the new parts will be of comparable or superior quality and performance to those originally specified. Every Trek bicycle is equipped with safety reflectors required by Federal law. All specifications are subject to change without notice.

400

Trek's lightweight all-around 12-speed bicycle with innovative features and components geared to the needs of the recreational or club rider. Including all-alloy componentry, alloy wheels, the versatile Helicomatic hub/cog system, Avocet saddle, water bottle bosses, and a state-of-the-art DuPont Imron finish.



A highly resistant DuPont Imron finish is standard.



Derailleur cables are routed through a low-friction guide.



500

Similar in style to our model 400, but with a main frame handbuilt from lighter, stronger Reynolds 501 tubing. Features SunTour's quick-shifting derailleurs, Dia Compe brakeset, and Helicomatic hub that easily let you change freewheel combinations to suit flat or mountainous terrain.



Lightweight and high-tensile-strength Reynolds tubing.



Helicomatic system allows removal of freewheel in seconds.



510

Another quick-handling Trek-built Reynolds frame with the smooth-working components to match. Includes a leather Avocet saddle, Matrix black-anodized alloy rims, Stronglight tapered-bearing headset, and other advanced features for those people who take their cycling a little more seriously.



Black-anodized Matrix alloy rims for added response.

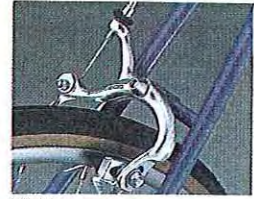


SunTour Cyclone derailleurs for fast, reliable shifting over a wide gear range.



610

A high-performance bike designed for fast training, triathlons, club centuries, or light touring. Trek's hand-crafted Reynolds 531CS frame is fitted with Shimano's highly-rated 600 group, a quick-changing Helicomatic hub system, and top-of-the-line Matrix hard-anodized clincher rims.



Highly-responsive, satin-finished Shimano 600 sidepulls.



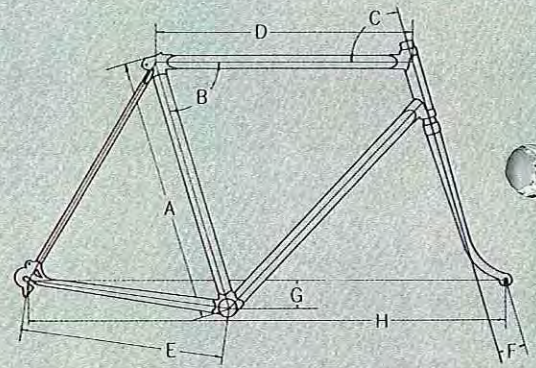
New aero-styled Shimano high-performance crankset/pedals.



TREK 1984 SPORT FRAME GEOMETRY

Model	Size	A Seat Tube Length	B Seat Tube Angle	C Head Tube Angle	D Top Tube Length	E Chain Stay Length	F Fork Offset	G Drop	H Wheel Base
400	22.5"	56.0	73.0°	73.0°	56.0	43.0	5.5	7.2	101.8
500	22.5"	56.0	73.0°	73.0°	56.0	43.0	5.2	7.2	101.5
510	22.5"	56.0	73.0°	73.0°	56.0	43.0	5.2	7.2	101.5
610	22.5"	56.0	73.0°	73.0°	56.0	43.0	5.2	7.2	101.5

All dimensions are in cm unless otherwise indicated.



SPORT SPECIFICATIONS

400

Frame:

Main Tubes: Tange 2001 Mangalloy Double Butted
Fork & Stays: Tange High Tensile
Headset: Tange MA-60

Fork Crown: Tange CCL Semi-Sloping
Bottom Bracket: Nikko w/Trek Cable Guides
Lugs: Nikko Short Point Seamless
Drop-Outs: Suntour GT Forged
Seat Post Binder Bolt: Sugino

Special Braze Ons: Top Tube Cable Guides, Water Bottle Mounts, Chain Hanger
Frame Sizes: 19", 21", 22.5", 24", 25.5"
Colors: Pewter, Red
Components:
Crank: SR Super Custom Forged Alloy 52/40

Pedals: SR SP-150 SE Alloy Quill
Derail: Shimano Z505 Rear, Z206 Front
Lever: Shimano Z408
FW: Atom Helicomatic 13-28 6-spd.
Chain: Sedisport
Brakes: Dia Compe QS 500N, Sidepull w/Hooded Levers

Bar/Stem: Belleri Alloy
Hubs: Atom Sport Helicomatic QR Alloy
Rims: Weinmann A116 16-22 mm Alloy
Tires: Trek 27 x 1 1/8"
Saddle: Avocet

Seat Post: Alloy
Extras: Lapize Toe Clips & Straps

500

Frame:

Main Tubes: Reynolds 501 Cromalloy Double Butted
Fork & Stays: Tange 2001 Mangalloy
Headset: Tange MA-60

Fork Crown: Tange 1124 Fully Sloping
Bottom Bracket: Nikko w/Trek Cable Guides
Lugs: Nikko Short Point Seamless
Drop-Outs: Suntour GS Forged w/Adjustors
Seat Post Binder Bolt: Sugino

Special Braze Ons: Top Tube Cable Guides, Water Bottle Mounts, Chain Hanger
Frame Sizes: 19", 21", 22.5", 24", 25.5"
Color: Mariner Blue, Pewter
Components:
Crank: SR CRC 301 Forged Alloy 52/40

Pedals: SR SP-150 SE Alloy Quill
Derail: Suntour ARX GT RD 4500 Rear, AR FD 2600 Front
Lever: Suntour LD 1900
FW: Atom Helicomatic 13-28 6-spd.
Chain: Sedisport

Brakes: Dia Compe QS 500N, w/Hooded Levers
Bar/Stem: Belleri Alloy
Hubs: Atom Sport Helicomatic QR Alloy
Rims: Matrix Strada 13-20 mm Alloy
Tires: Trek 27 x 1 1/8"

Saddle: Avocet
Seat Post: SR CT-P6 Forged Alloy
Extras: Lapize Toe Clips & Straps

510

Frame:

Main Tubes: Reynolds 501 Cromalloy Double Butted
Fork & Stays: Tange 2001 Mangalloy
Headset: Stronglight B-10 Black Delrin

Fork Crown: Tange 1124 Fully Sloping
Bottom Bracket: Nikko w/Trek Cable Guides
Lugs: Nikko Short Point Seamless
Drop-Outs: Suntour GS Forged w/Adjustors
Seat Post Binder Bolt: Sugino

Special Braze Ons: Top Tube Cable Guides, Water Bottle Mounts, Chain Hanger
Frame Sizes: 19", 21", 22.5", 24", 25.5"
Color: Mariner Blue
Components:
Crank: SR CRC 101 Forged Alloy 52/42

Pedals: SR SP-150 SE Alloy Quill
Derail: Suntour Cyclone MK II GT Rear, Cyclone MK II Front
Lever: Suntour LD 3300
FW: Atom Helicomatic 13-28 6-spd.
Chain: Sedisport
Brakes: Dia Compe G 500N, Sidepull w/Hooded Levers

Bar/Stem: Belleri/Aero Alloy
Hubs: Atom Sport Helicomatic QR Alloy
Rims: Matrix Strada 13-20 Alloy Black Anodized
Tires: Trek 27 x 1 1/8"
Saddle: Avocet Leather Sport

Seat Post: SR P5E Laprade Type Forged Alloy
Extras: Lapize Toe Clips & Straps

610*

Frame:

Main Tubes: Reynolds 531-CS Double Butted
Fork & Stays: Reynolds 531-CS
Headset: Stronglight B-10 Black Delrin

Fork Crown: Tange 1124 Fully Sloping
Bottom Bracket: Nikko w/Trek Cable Guides
Lugs: Nikko Short Point Seamless
Drop-Outs: Suntour GS Forged w/Adjustors
Seat Post Binder Bolt: Integral

Special Braze Ons: Top Tube Cable Guides, Water Bottle Mounts, Chain Hanger
Frame Sizes: 19", 21", 22.5", 24", 25.5"
Color: Race Blue
*Also available as a Frameset only.

Components:
Crank: Shimano N600 Forged Alloy 52/40
Pedals: Shimano N600 Aero
Derail: Shimano N600 6207 Rear, 6207 Front
Lever: Shimano N600 6207

FW: Maillard 700 Helicomatic 13-28 6-spd.
Chain: Sedisport Silver
Brakes: Shimano N600 Sidepull w/Hooded Levers
Bar/Stem: SR Custom Alloy
Hubs: Atom Lux-Compe Helicomatic QR

Rims: Matrix Strada 13-20 Anodic Grey
Tires: National Panaracer 27 x 1 1/8"
Saddle: Avocet Racing I
Seat Post: SR P5 Laprade Forged Alloy
Extras: Shimano Toe Clips/Christophe Straps, Bottle & Blackburn Cage

Trek bicycles consist of thousands of component parts and materials made by Trek or purchased from sources around the world. Changes in customer demand or availability occasionally necessitate temporary or permanent substitution of parts specified, if substitution is made, the new parts will be of comparable or superior quality and performance to those originally specified. Every Trek bicycle is equipped with safety reflectors required by federal law. All specifications are subject to change without notice.

420 420L

A bicycle dedicated to giving day-trippers or weekend tourists everything they need to comfortably enjoy the ride. 18-speeds linked to new long-reach Simplex 630 derailleurs quickly give you just the right gear you need for the road ahead. Other conveniences include brazed-on mounts for water bottle and rear rack, Avocet saddle, and strong, lightweight alloy wheels for mile after mile of efficient, trouble-free touring.

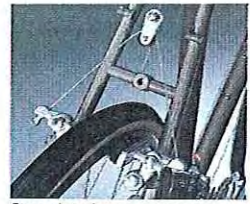


Trek's first lightweight "ladies" bicycle. Identical to the 420 in every detail with the added comfort and convenience of a mixte style frame.



520

Another in Trek's line of classic touring bicycles. A more "laid-back" wheelbase for stability under added loads. A triple crankset to keep you spinning up the toughest hills, plus Dia Compe cantilever brakes to keep you stopping down them. There are wide-ratio SunTour Mk II derailleurs. A leather Avocet saddle. And other equipment designed to make your tours, both long and short, go as smoothly as possible.



Complete braze-ons are a Trek rule, not an exception.

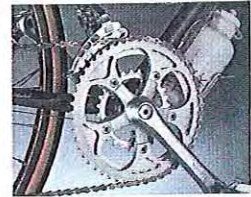


SR's new triple crankset offers 18 well-spaced gears.

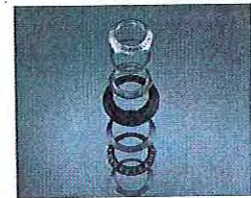


620

A long-distance touring machine for the serious tourist. Based on a very long and strong Reynolds 531 frame with many accessory braze-ons, the Trek 620 includes Shimano's sealed "600" crankset, Huret Duopar derailleurs, Blackburn rack/bottle cage, and hard-anodized Matrix rims. Secure the panniers, pump up the tires, and this machine is ready to embark on a journey of any length without the slightest modification.



The 620's Shimano triple crank - 18-speed versatility.



Innovative tapered-bearing headset distributes stress more evenly.



720

If you've been searching near and far for a state-of-the-art touring bike, then this is as far as your money can take you. Trek's acclaimed 42-inch wheelbase Reynolds 531 frame, adorned with every available braze-on. Shimano's powerful XT cantilever brakes, Huret's long-reaching Duopar derailleur, Cinelli bars, and other high-performance, low-maintenance componentry that's been proven on numerous transcontinental rides and a few world crossings.



Wide capacity double-articulated Duopar derailleur.



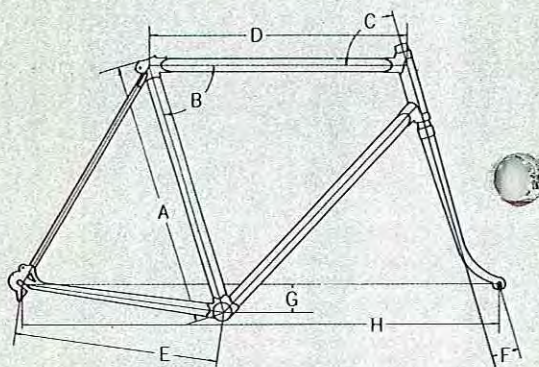
Shimano top-of-the-line cantilevers. Plenty of power to stop a loaded 720.



TREK 1984 TOURING FRAME GEOMETRY

Model	Size	A Seat Tube Length	B Seat Tube Angle	C Head Tube Angle	D Top Tube Length	E Chain Stay Length	F Fork Offset	G Drop	H Wheel Base
420	22.5"	56.0	73.0°	73.0°	56.0	43.0	5.5	7.2	101.8
420L	21.0"	51.0	73.0°	72.0°	52.0	44.5	5.5	7.2	102.0
520	22.5"	56.0	73.0°	72.0°	56.0	45.5	5.2	7.2	104.9
620	22.5"	56.0	73.0°	72.0°	56.0	45.5	5.2	7.2	104.9
720	22.5"	56.0	73.0°	72.5°	56.0	47.0	5.2	7.2	106.2

All dimensions are in cm unless otherwise indicated.



TOURING SPECIFICATIONS

420

Frame:

Main Tubes: Tange Mangalloy Double Butted
Fork & Stays: Tange High Tensile
Headset: Tange MA-60

Fork Crown: Tange CCL Semi-Sloping
Bottom Bracket: Nikko w/Trek Cable Guides
Lugs: Nikko Short Point Seamless
Drop-Outs: Suntour GT Forged
Seat Post Binder Bolt: Sugino

Special Braze Ons: Top Tube Cable Guides, Water Bottle Mounts, Rear Rack Mounts, Chain Hanger
Frame Sizes: 19", 21", 22.5", 24", 25.5"
Colors: Pewter, Dark Blue Metallic
Components:
Crank: SR Super Custom Forged Alloy 50/45/28 Triple

Pedals: SR SP-150 SE Alloy Quill
Derail: Simplex 630GT Rear, SJA 102 Front
Lever: Simplex SJA
FW: Atom Helicomatic 13-28 6-spd.
Chain: Sedisport

Brakes: Dia Compe QS 500N, Sidepull w/Hooded Levers
Bar/Stem: Belleri Alloy
Hubs: Atom Sport Helicomatic QR Alloy
Rims: Weinmann A116 16-22mm Alloy
Tires: Trek 27x1 1/4"

Saddle: Avocet
Seat Post: Alloy
Extras: Lapize Toe Clips & Straps

420L Mixte

Frame:

Main Tubes: Tange Mangalloy Double Butted
Fork & Stays: Tange High Tensile
Headset: Tange MA-60

Fork Crown: Tange CCL Semi-Sloping
Bottom Bracket: Nikko w/Trek Cable Guides
Lugs: Nikko Short Point Seamless
Drop-Outs: Suntour GT Forged
Seat Post Binder Bolt: Sugino

Special Braze Ons: Water Bottle Mounts, Rear Rack Mounts, Chain Hanger
Frame Sizes: 19", 21"
Color: Mariner Blue
Components:
Crank: SR Super Custom Forged Alloy 50/45/28

Pedals: SR SP-150 SE Alloy Quill
Derail: Simplex 630GT Rear, SJA 102 Front
Lever: Simplex SJA
FW: Atom Helicomatic 13-28 6-spd.
Chain: Sedisport

Brakes: Dia Compe 610 Alloy Centerpull w/Hooded Levers
Bar/Stem: Belleri Alloy
Hubs: Atom Sport Helicomatic QR Alloy
Rims: Weinmann A116 16-22mm Alloy
Tires: Trek 27x1 1/4"

Saddle: Avocet
Seat Post: Alloy
Extras: Lapize Toe Clips & Straps

520

Frame:

Main Tubes: Reynolds 501 Chromalloy Double Butted
Fork & Stays: Tange 2001 Mangalloy w/Cantilever Bosses
Headset: Stronglight B-10 Black Delrin

Fork Crown: Tange I124 Fully Sloping
Bottom Bracket: Nikko w/Trek Cable Guides
Lugs: Nikko Short Point Seamless
Drop-Outs: Suntour GS Forged w/Adjustors
Seat Post Binder Bolt: Sugino

Special Braze Ons: Top Tube Cable Guides, Water Bottle Mounts, Rear Rack Mounts, Chain Hanger
Frame Sizes: 19", 21", 22.5", 24", 25.5"
Color: Taupe
Components:
Crank: SR CRC-T-301 Forged Alloy 50/45/28

Pedals: SR SP-150 SE Alloy Quill
Derail: Suntour Cyclone MK II GT Rear, Cyclone MK II Front
Lever: Suntour LD 3300
FW: Atom Helicomatic 14-26 6-spd.
Chain: Sedisport
Brakes: Dia Compe 960 Cantilever w/Hooded Levers

Bar/Stem: Belleri/Aero Alloy
Hubs: Atom Sport Helicomatic QR Alloy
Rims: Matrix Safari 16-22 Alloy Black Anodized
Tires: Trek 27x1 1/4"
Saddle: Avocet Leather Sport

Seat Post: SR P5E Laprade Type Forged Alloy
Extras: Lapize Toe Clips & Straps

620*

Frame:

Main Tubes: Reynolds 531 CS Double Butted
Fork & Stays: Reynolds 531 CS w/Cantilever Bosses
Headset: Stronglight B-10 Black Delrin

Fork Crown: Tange I124 Fully Sloping
Bottom Bracket: Nikko w/Trek Cable Guides
Lugs: Nikko Short Point Seamless
Drop-Outs: Suntour GS Forged w/Adjustors
Seat Post Binder Bolt: Integral

Special Braze Ons: Top Tube Cable Guides, 2 Water Bottle Mounts, Rear Rack Mounts, Chain Hanger, Front Low Rider Mounts
Frame Sizes: 19", 21", 22.5", 24", 25.5"
Color: Dark Pewter
*Also available as a Frameset only.

Components:

Crank: Shimano N600 Touring Forged Alloy 50/45/28
Pedals: SP-150 Alloy Quill
Derail: Huret Eco Duopar Rear, Huret Pilot Front
Lever: Huret Pilot 2000

FW: Maillard 700 Helicomatic 13-28 6-spd.
Chain: Sedisport Silver
Brakes: Dia Compe Gran Compe 960 Cantilever w/Hooded Levers
Bar/Stem: SR Custom Alloy
Hubs: Atom Lux-Compe Helicomatic QR

Rims: Matrix Safari 16-22 Anodic Grey
Tires: National Panaracer 27x1 1/4"
Saddle: Avocet Touring I
Seat Post: SR P5 Laprade Forged Alloy
Extras: Christophe Toe Clips & Straps, Bottle & Blackburn Cage, Blackburn Rear Rack

720*

Frame:

Main Tubes: Reynolds 531 ST Double Butted
Fork & Stays: Reynolds 531 C w/Cantilever Bosses
Headset: Stronglight A-9 Alloy

Fork Crown: Haden Europa
Bottom Bracket: Trek Investment Cast w/Integral Cable Guides
Lugs: Trek Investment Cast Seat Lug, Tange Cast Short Point
Drop-Outs: Shimano SF w/Double Eyelet
Seat Post Binder Bolt: Sugino

Special Braze Ons: Top Tube Cable Guides, 3 Water Bottle Mounts, Rear Rack Mounts, Front Low Rider Mounts, Shift Lever Bosses, Chain Hanger, Top Tube Pump Peg
Frame Sizes: 19", 21", 22.5", 24", 25.5"
Color: Burgundy
*Also available as a Frameset only.

Components:

Crank: Shimano N600 Touring Forged Alloy 48/44/28
Pedals: SR SP-11 Platform
Derail: Huret Eco Duopar Rear Simplex SJA 522 Front
Lever: Suntour Bar-Con w/D.T. Lever Adaptors

FW: Maillard 700 Helicomatic 13-28 6-spd.
Chain: Sedisport Silver
Brakes: Shimano XT Cantilevers w/Gran Compe Levers
Bar/Stem: Cinelli 64/Cinelli 1/A
Hubs: Maillard 700 Helicomatic QR
Rims: Matrix Safari Anodic Black

Tires: National Panaracer 27x1 1/4"
Saddle: Brooks Team Pro Leather
Seat Post: SR P5 Laprade Forged Alloy
Extras: Christophe Toe Clips & Straps, Bottle & Blackburn Cage, Blackburn Rear Rack

Trek bicycles consist of thousands of component parts and materials made by Trek or purchased from sources around the world. Changes in customer demand or availability occasionally necessitate temporary or permanent substitution of parts specified. If substitution is made, the new parts will be of comparable or superior quality and performance to those originally specified. Every Trek bicycle is equipped with safety reflectors required by federal law. All specifications are subject to change without notice.

830

Designed from the ground on up to offer lighter weight and uncompromising durability to the off-road cyclist. The main frame is composed of Reynolds' newest oversize tubes, handbuilt into a sturdy yet surprisingly agile geometry. Components are equal to the task, with SunTour's MounTech derailleurs linked to SR's radical crankset and wide-ratio Atom cluster for a super-low 24-inch gear. And there's a quick-release saddle from which to view it all.



New Reynolds 501 AT tubeset for maximum strength.



The quick-release seat cluster lets you easily adjust saddle height.



850

Load it up and head on up as high as you can. In building our most advanced mountain machine we left nothing out. It's got a Reynolds 531AT oversize frame for a backbone. Huge knobby tires with plenty of bite. And quite simply, the most advanced mountain componentry available, Shimano XT, all riding on wide and light Araya rims. The Trek 850 is "high" technology – literally.



Quick-releases for height, tilt, and fore-aft.



Shimano's powerful Deore XT mountain brakes.



890

A breed of 18-speed all-terrain bicycle created specifically for the urban canyon. Reynolds 501 standard tubing with plenty of braze-ons, including Blackburn's heavy-duty SX rack. DiaCompe cantilevers firmly stop the sturdy 26" wheels, fitted with a set of the first medium-profile *radial* tires designed especially for this new Trek machine.



Dia Compe cantilever brakes with motorcycle-type levers.



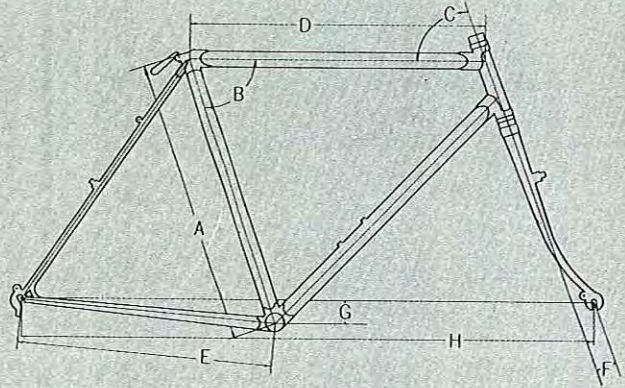
The world's first radial bike tire.



TREK 1984 ALL-TERRAIN FRAME GEOMETRY

Model	Size	A Seat Tube Length	B Seat Tube Angle	C Head Tube Angle	D Top Tube Length	E Chain Stay Length	F Fork Offset	G Drop	H Wheel Base
830	22.0"	54.0	71.5°	71.0°	58.0	48.5	4.5	5.0	109.8
850	22.0"	54.0	71.5°	71.0°	58.0	48.5	4.5	5.0	109.8
890	21.5"	53.5	72.5°	73.0°	57.0	47.0	4.5	4.0	106.5

All dimensions are in cm unless otherwise indicated.



ALL-TERRAIN SPECIFICATIONS

830

Frame:

Main Tubes: Reynolds 501 AT Cromalloy Mountain
Fork & Stays: Tange 2001 Mangalloy w/Cantilever Bosses
Headset: Tange MA-60 Black

Fork Crown: Tange Malleable Cast
Bottom Bracket: Nikko w/Trek Cable Guides
Lugs: Nikko Short Point Seamless
Drop-Outs: Shimano Forged Vertical
Seat Post Binder Bolt: Suzue Quick Release

Special Braze Ons: Top Tube Cable Guides, Water Bottle Mounts, Rear Rack Mounts, Down Tube Cable Stops, Chain Hanger
Frame Sizes: 18", 19.8", 21.8", 24.3"
Color: Berry Red

Components:

Crank: SR CRC-T300 Forged Alloy 46/40/28
Pedals: SR SP-468 Black
Derail: Suntour Mountech Rear, Mountech Front
Lever: Suntour LD 2800 Thumb Shifter

FW: Atom 14-30 5-speed
Chain: Sedisport
Brakes: Dia Compe 981 Cantilever w/Hooded Levers
Bar/Stem: Kusuki MTR-28 One Piece Steel
Hubs: Suntour S.F. Sealed Bearing Nuted Black Anodized

Rims: Weinmann 431 26x1.75 Alloy
Tires: Trek Skinwall 26x2.125 Knobby
Saddle: Avocet Leather Sport
Seat Post: SR P5E Laprade Forged Alloy

850*

Frame:

Main Tubes: Reynolds 531 AT Mountain
Fork & Stays: Tange Champion Chromo-Moly w/Cantilever Bosses
Headset: Tange Levin Black

Fork Crown: Tange Malleable Cast
Bottom Bracket: Nikko w/Trek Cable Guides
Lugs: Nikko Short Point Seamless
Drop-Outs: Shimano Forged Vertical
Seat Post Binder Bolt: Suzue Quick Release
Special Braze Ons: Top Tube

Cable Guides, 2 Water Bottle Mounts, Rear Rack Mounts, Down Tube Cable Stops, Chain Hanger
Frame Sizes: 18", 19.8", 21.8", 24.3"
Color: Black
*Also available as a Frameset only.
Components:
Crank: Shimano N-600 Touring

Forged Alloy 46/40/28, Black Anodized
Pedals: Suntour XC-II Black Anodized
Derail: Shimano Deore XT M-700 Rear, XT M-700 Front
Lever: Shimano Deore XT M-700 Thumb Shifters

FW: Suntour New Winner 14-32 5-speed
Chain: Sedisport
Brakes: Shimano Deore XT Cantilever w/XT Mountain Levers
Bar/Stem: SR MTB-100 Chromolly/SR MTS 100 Alloy
Hubs: Shimano Deore XT MN-72 Nuted Black

Rims: Araya 7X 26x1.75" Two-Tone Black Anodized
Tires: National Panaracer 26x2.125" Skinwall Knobby
Saddle: Avocet Touring I
Seat Post: SR MTS-100 Double Adjust
Extras: Blackburn Mountain Bottle Cage & Bottle

890

Frame:

Main Tubes: Reynolds 501 Cromalloy Double Butted
Fork & Stays: Tange 2001 Mangalloy
Headset: Stronglight B-10 Black

Fork Crown: Tange C-2 Malleable Cast Fully Sloping
Bottom Bracket: Nikko w/Trek Cable Guides
Lugs: Nikko Short Point Seamless
Drop-Outs: Shimano SF w/Adjustors
Seat Post Binder Bolt: Sugino

Special Braze Ons: Top Tube Cable Guides, Water Bottle Mounts, Rear Rack Mounts, Chain Hanger
Frame Sizes: 18", 20", 21.5", 23"
Color: Grey Metallic
Components:
Crank: SR CRC-T-300 Forged Alloy 48/42/28

Pedals: SR SP-468 Black
Derail: Shimano Z-505 GS Rear/Z-206 GS Front
Lever: Shimano MT-50 Thumb Shifter
FW: Atom 13-28 6-spd
Chain: Sedisport

Brakes: Dia Compe 960 Cantilever w/Mountain Levers
Bar/Stem: SR All Rounder/SR Super Custom
Hubs: Maillard Diablo Mountain Sealed w/QR Front
Rims: Weinmann 431 26x1.75 Alloy

Tires: National Panatour RX Radial 26x1.5
Saddle: Avocet Leather
Seat Post: SR P5E Laprade Forged Alloy
Extras: Blackburn Rear Rack, Alloy Bell

Trek bicycles consist of thousands of component parts and materials made by Trek or purchased from sources around the world. Changes in customer demand or availability occasionally necessitate temporary or permanent substitution of parts specified. If substitution is made, the new parts will be of comparable or superior quality and performance to those originally specified. Every Trek bicycle is equipped with safety reflectors required by federal law. All specifications are subject to change without notice.