



*Campagnolo*

Catalog 17a



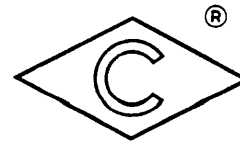
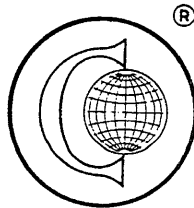
# *Campagnolo*

**Sole Technical Advisor to:**

- August, 1974 — World Professional and Amateur Cycling Championships — *Canada*
- June, 1975 — European Junior Cycling Championships — *Switzerland*
- July, 1975 — United States National Cycling Championships — *U. S. A.*
- August, 1975 — World Professional and Amateur Cycling Championships — *Belgium*
- October, 1975 — Pan American Games — *Mexico*
- July, 1976 — Olympic Games — *Canada*
- August, 1977 — World Professional and Amateur Cycling Championships — *Venezuela*

## WARRANTY

Campagnolo bicycle components are unconditionally guaranteed for life against defects in materials or workmanship. Campagnolo components are not, however, guaranteed against wear resulting from use or wear resulting from improper maintenance.



CAMPAGNOLO®

BREV. INTER. CAMPAGNOLO®

Copyright © 1975

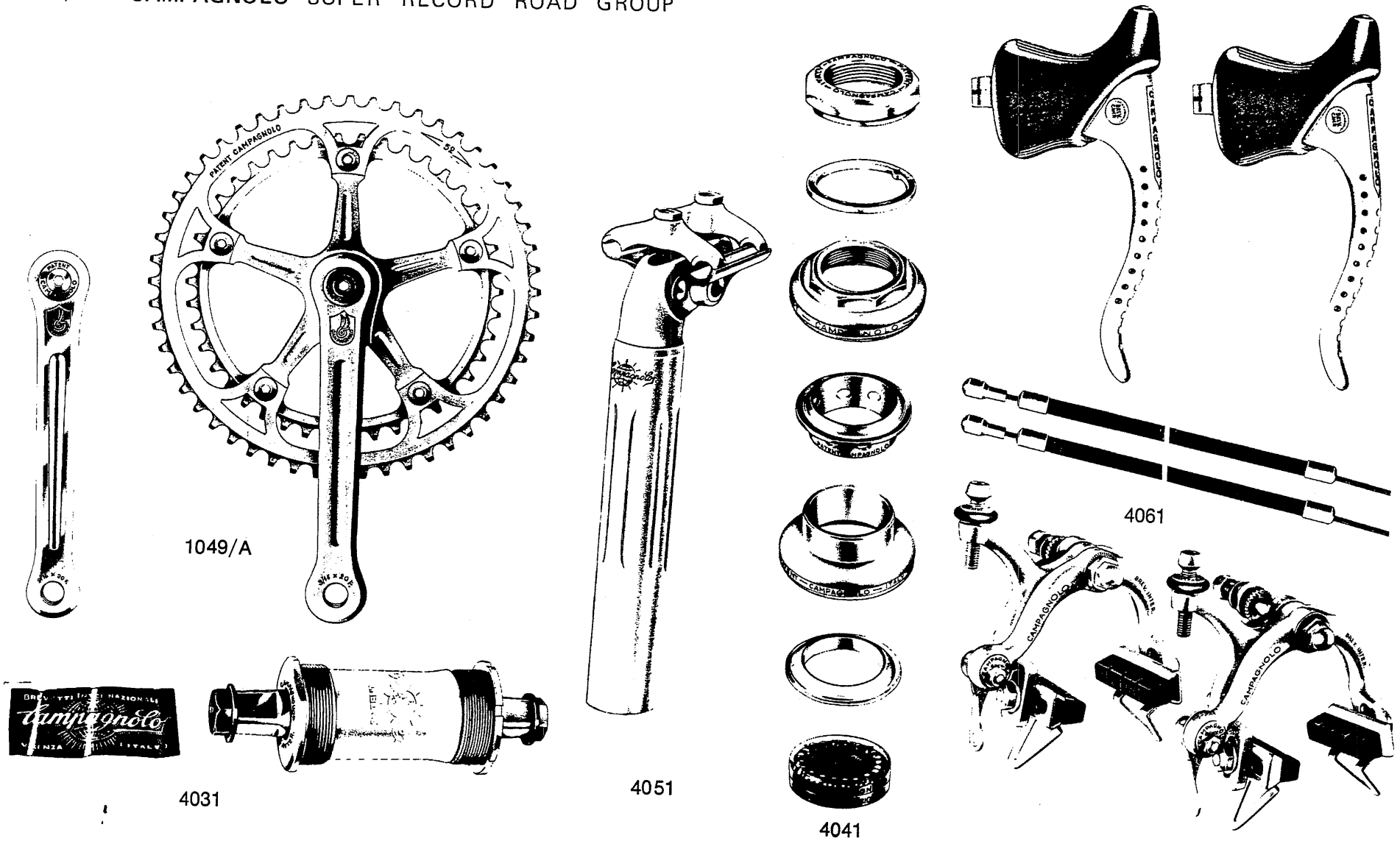
All copyrights reserved and reproduction prohibited.

Any person infringing Campagnolo patents, trade marks, and registered designs will be prosecuted.

## TABLE OF CONTENTS

Super Record Road Group . . . . .	2-3
Nuovo Record Road Group . . . . .	4-5
Super Record Track Group . . . . .	6-7
Record Track Group . . . . .	8-9
Gran Sport Road Group . . . . .	10-11
Derailleurs and Parts . . . . .	12-18
Controls and Parts . . . . .	19-21
Hubs and Parts . . . . .	22-26
Cranksets and Parts . . . . .	27-30
Bottom Bracket Sets and Parts . . . . .	31-33
Headsets and Parts . . . . .	34
Pedals and Parts . . . . .	35-36
Brakes and Parts . . . . .	37-38
Seatpins and Parts . . . . .	39-40
Cables and Clips . . . . .	41
Binder Bolts . . . . .	42
Fork Ends . . . . .	43
Pump Ends, Track Sprockets, and Grease . . . . .	44
Special Campagnolo Tools . . . . .	45-49
Bicycle Assembly Stand . . . . .	50
Chain Line Diagrams . . . . .	51-53
Gear Table for 27" Wheels . . . . .	54

4000/F CAMPAGNOLO SUPER RECORD ROAD GROUP

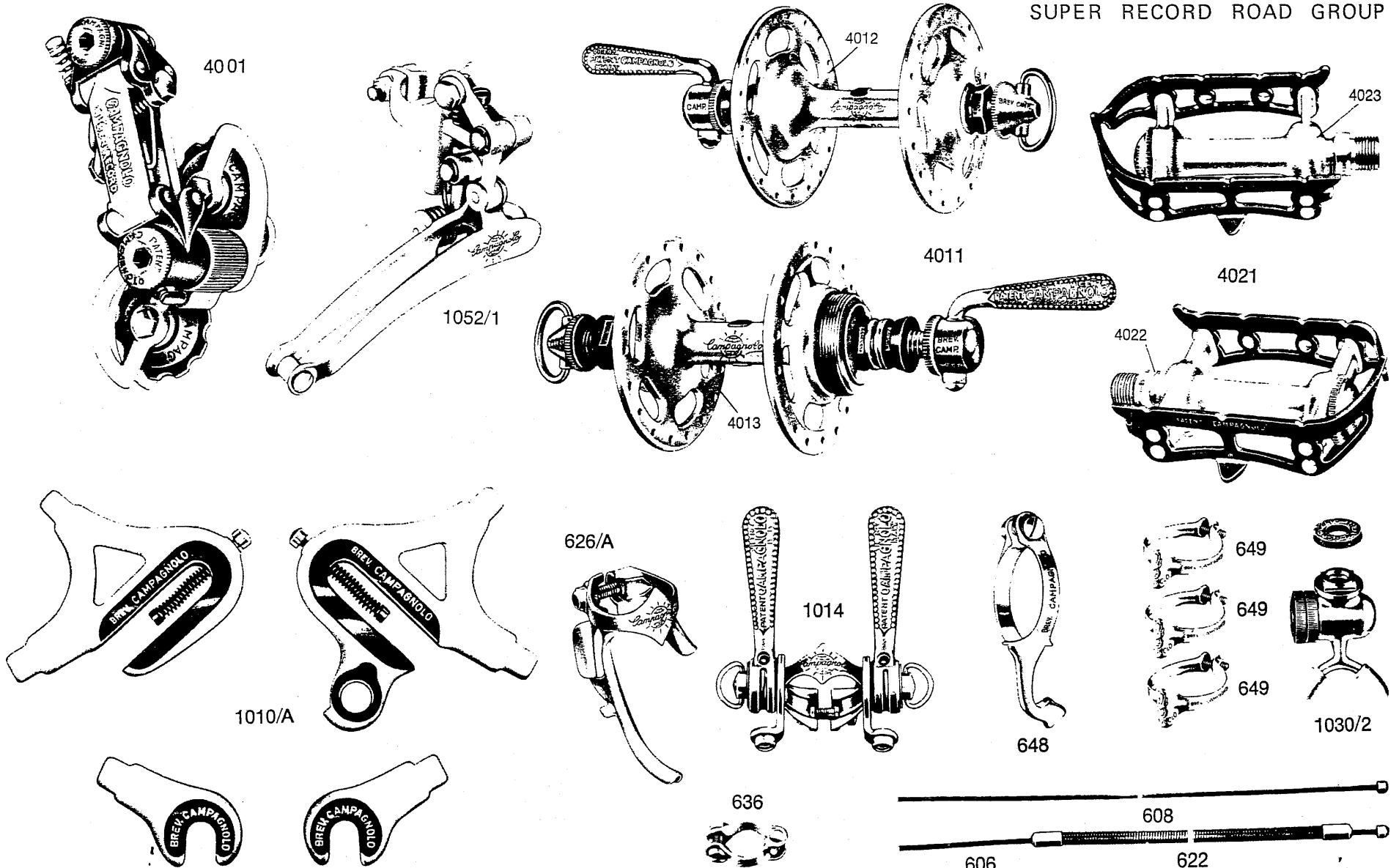


- 606 Rear derailleur cable (118 cm.)
- 608 Front derailleur cable (72 cm.) (New cable has been lengthened 2 cm.)
- 622 Rear derailleur stainless steel cable casing (21 cm.)
- 626/A Dual derailleur cable guide

- 636 Rear derailleur cable stop
- 648 Peg-Type pump holder
- 649 Brake cable clip (pkg. of 3)
- 1010/A Road fork ends w/o eyelets - set of 4 (SR)
- 1014 Record dual derailleur controls
- 1030/2 Adapter for Italian Silco Impero Pump w/squared boss

- 1049/A Super Record crankset w/o BB (Specs: Crank length—165 to 180 mm; Teeth—42 to 57)
- 1052/1 Front derailleur (R, RL, SR)

SUPER RECORD ROAD GROUP

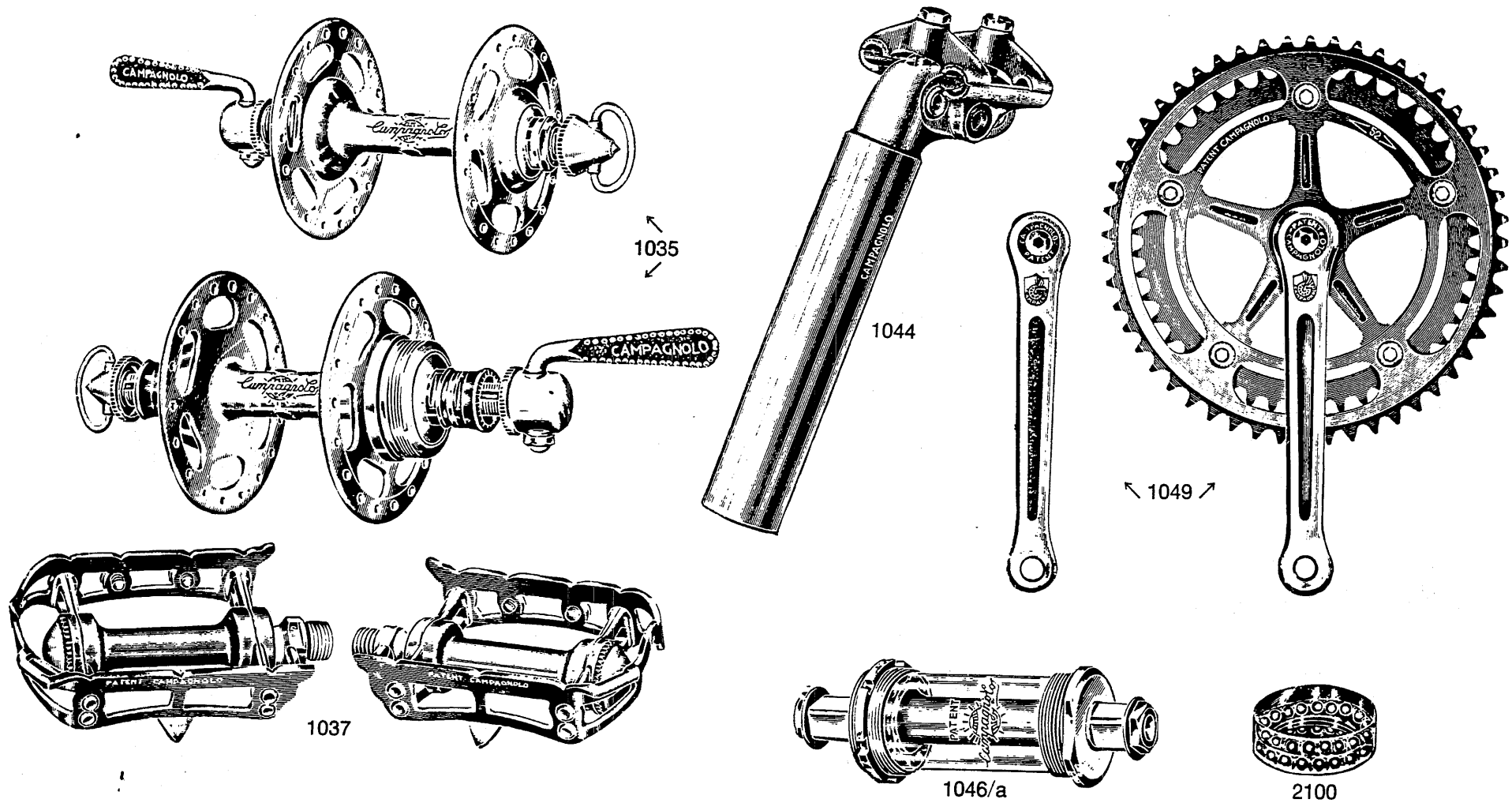


- 4001 Super Record rear derailleur w/o hanger
- 4011 Pair large-flange Super Record road hubs (Specs: Holes—24 to 40; Threads—Eng., Fr., or Ital.)
- 4012 Front large-flange road hub (SR)

- 4013 Rear large-flange road hub (SR)
- 4021 Pair road pedals (SR)
- 4022 R.H. road pedal (SR)
- 4023 L.H. road pedal (SR)
- 4030 Road crankset w/BB (SR)
- 4031 Super Record road bottom bracket set (Specs: Pages 31, 33)

- 4041 Super Record road headset (Specs: Eng., Fr., or Ital. thread)
- 4051 Fluted wide-cradle Super Record seatpin (Specs: Length—147 mm only; Diameters—25.0 to 27.4 mm)
- 4061 Super Record brake set complete

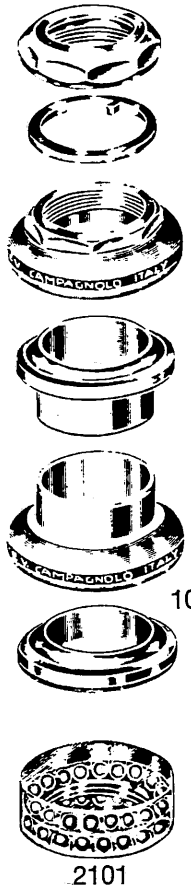
1032/F CAMPAGNOLO NUOVO RECORD ROAD GROUP (INCLUDES BRAKES 2040, PAGE 37)  
 1032 CAMPAGNOLO NUOVO RECORD ROAD GROUP (AS SHOWN – DOES NOT INCLUDE BRAKES 2040)



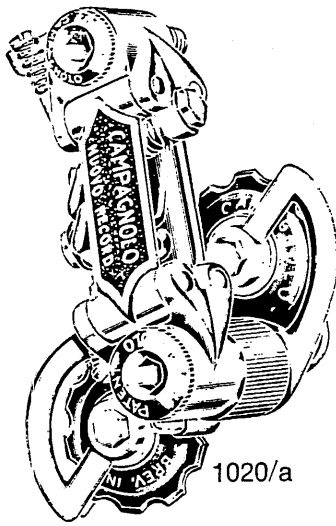
606 Down tube gear cable (118 cm)  
 608 Down tube front changer cable (72 cm)  
 622 Rear stainless steel outer cable (21 cm)  
 626/a Twin gear cables clip  
 632 Seat tube pump clip  
 636 Rear derailleur cable stop

649 Brake cable clips  
 1010 Record fork ends set  
 1014 Twin down tube control levers  
 1020/a Nuovo Record gear (without hanger)  
 1030/2 Special pump adaptor (thread  $\varnothing 9 \times 1,25$  - Any of the pump adaptors shown on page 44 can be supplied instead)

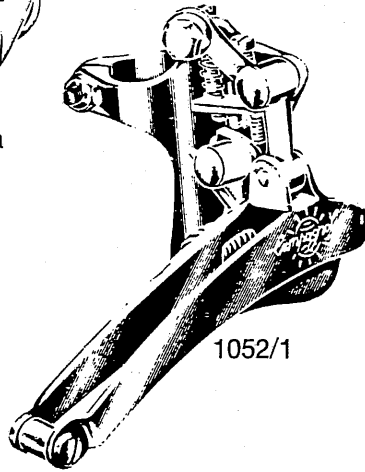




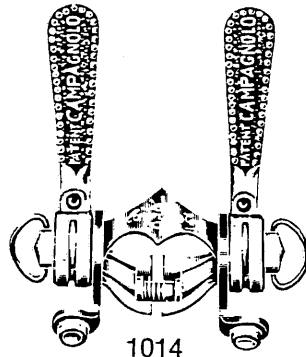
1039



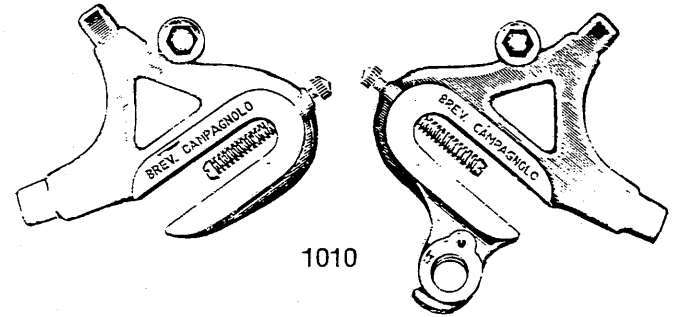
1020/a



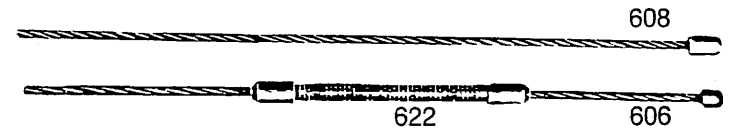
1052/1



1014



1010



608

622

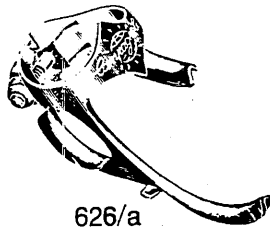
606



2101



1030/2



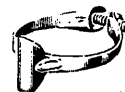
626/a



649



649



649



636



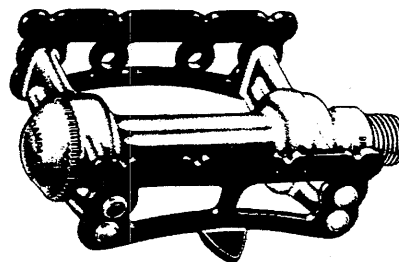
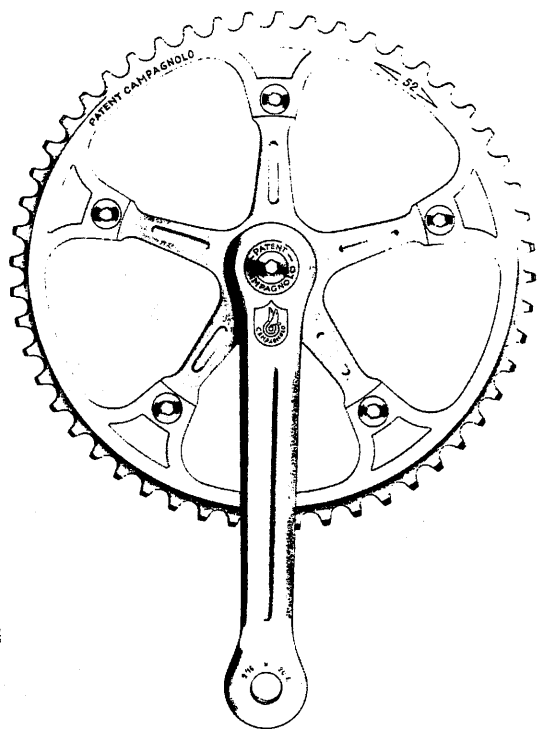
632



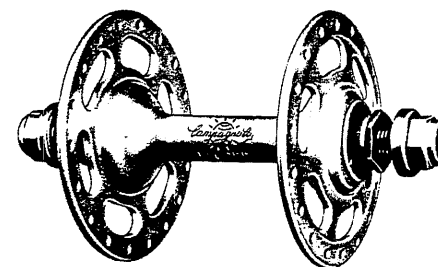
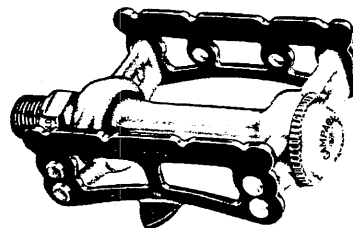
- 1035 Pair of Record large flange quick release hubs (Specs: Holes—24 to 40; Thread—Eng., Fr. or Ital.)
- 1037 Pair of Record road pedals
- 1039 Record road head set (Specify Eng., Fr. or Ital. Thread)
- 1044 Seat pin (please specify diameter and length as shown on pages 39 and 40. If requested, seat pin 1045 for narrow cradle saddles can be supplied.)

- 1046/a Nuovo Record bottom bracket set (see pages 32, 33 for specs)
- 1048 Road crankset w/BB (NR)
- 1049 Road chainwheel set (please specify number of chainring teeth and crank length—see page 27)
- 1052/1 Record front changer
- 2100 Special ballraces for bottom bracket set
- 2101 Special ballraces for head set

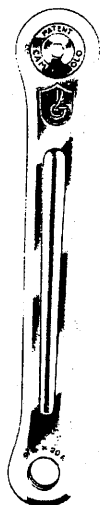
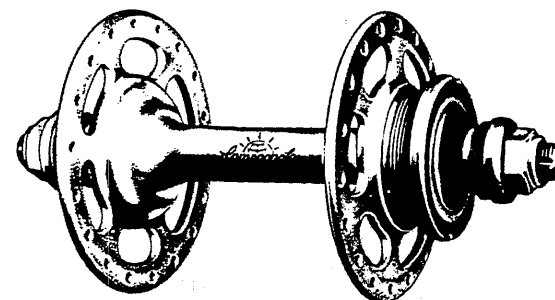
4100 CAMPAGNOLO SUPER RECORD TRACK GROUP



4121



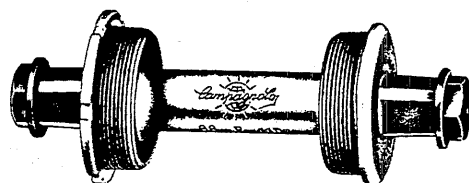
4101



4151

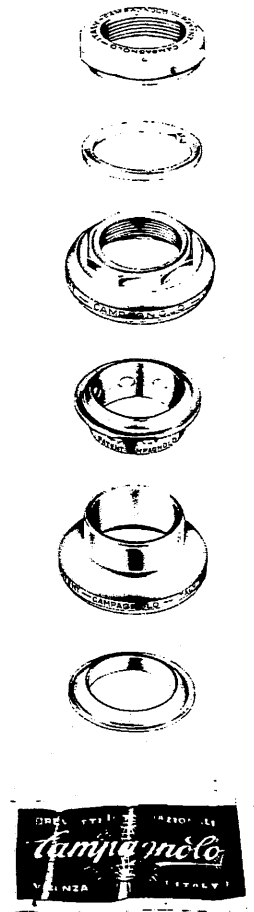


4131

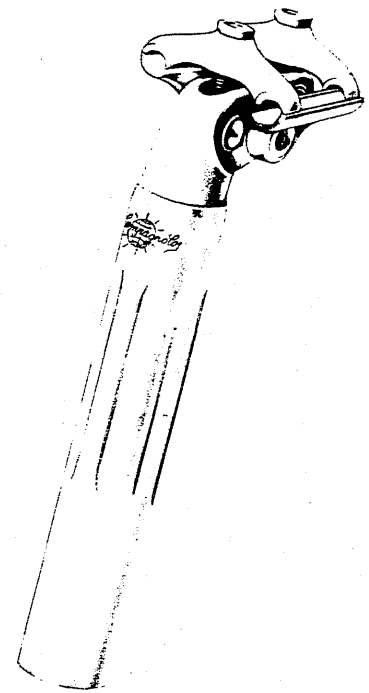


- 1053 Track fork ends (set of 4)
- 4051 Fluted wide-cradle seat pin (SR)—147 mm only; diameters 25.0 to 27.4 mm)
- 4101 Pair large-flange Super Record track hubs (Specs: Holes—24 to 40; Threads—Eng., Fr., or Ital.)

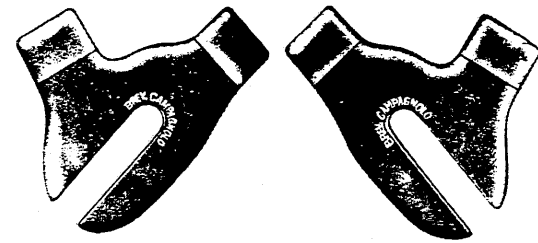
- 4102 Front large-flange track hub (SR)
- 4103 Rear Large-flange track hub (SR)
- 4121 Pair track pedals (SR)
- 4122 R.H. track pedal (SR)
- 4123 L.H. track pedal (SR)
- 4130 Track crankset w/BB (SR)



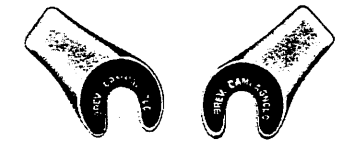
4141



4051

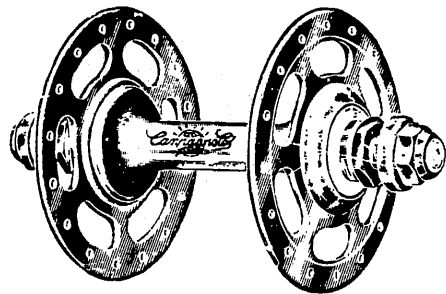


1053

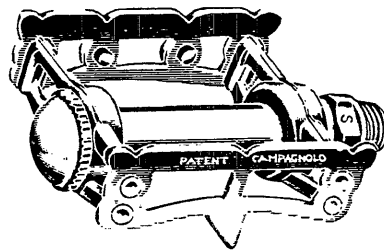


- 4131 Track bottom bracket set (SR)  
(See specs pages 31, 33)
- 4141 Super Record track headset (Specs - Eng., Fr., or Ital. thread)
- 4151 Super Record track crankset w/o bottom bracket - to fit 1/2" x 1/8" (3 mm) chain  
(Specs: Crank length—165 to 180 mm;  
Teeth size—44 to 70)

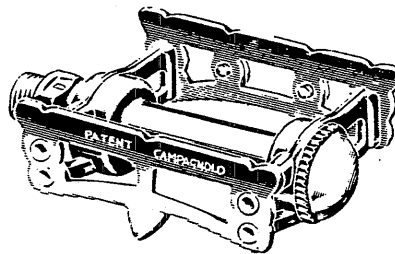
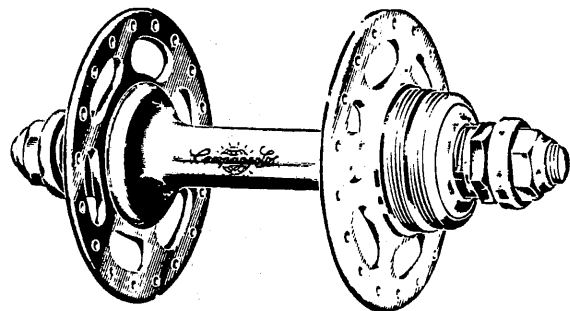
1033 CAMPAGNOLO RECORD TRACK GROUP



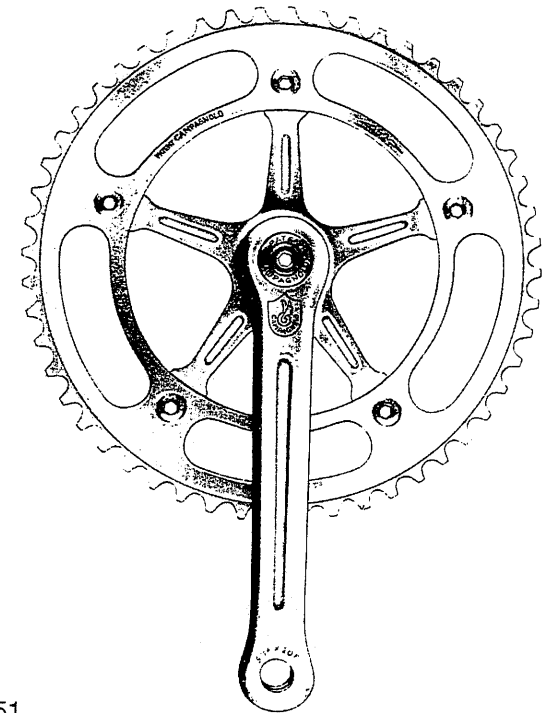
1036



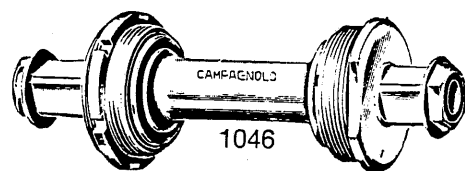
1038



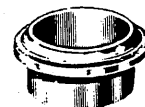
1051



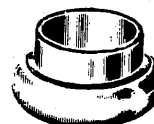
- 1036 Pair of Record track hubs (Specs: Holes—24 to 40; Threads—Eng., Fr., or Ital.)
- 1038 Pair of Record track pedals
- 1040 Record track head set (Specs: Eng., Fr., or Ital. Threads)



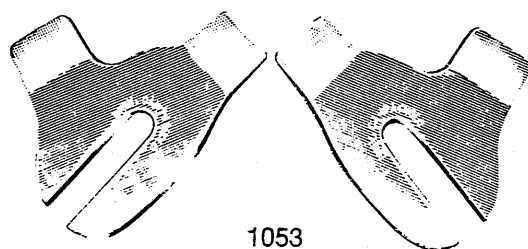
2100



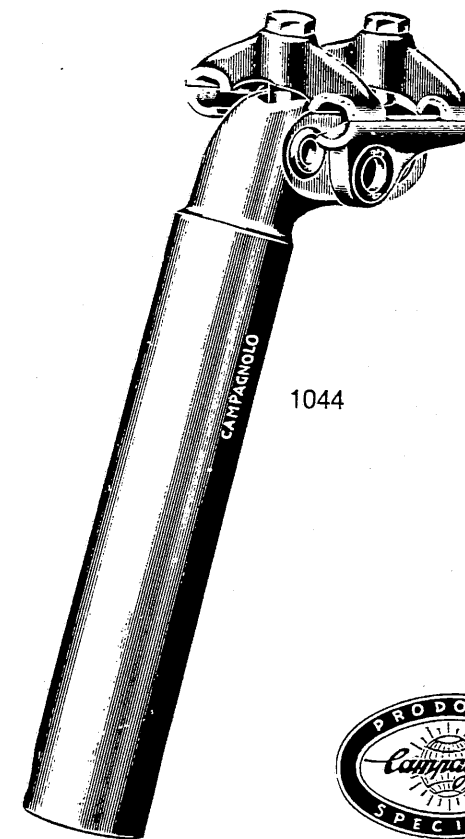
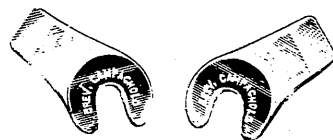
1040



2102



1053

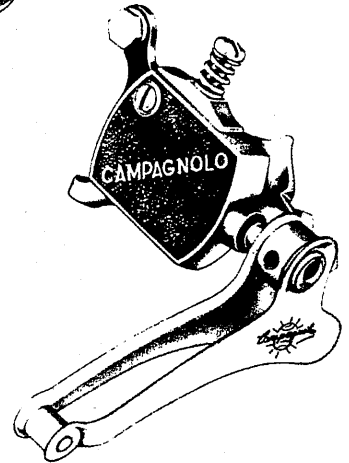
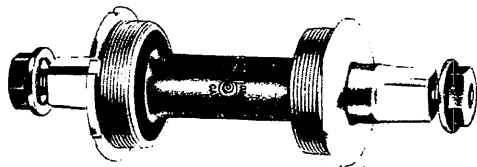
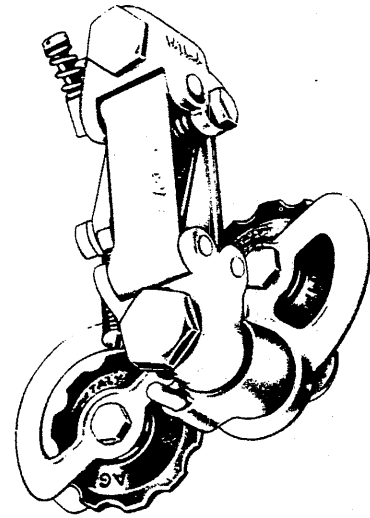
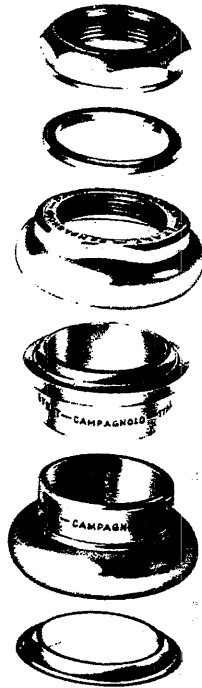
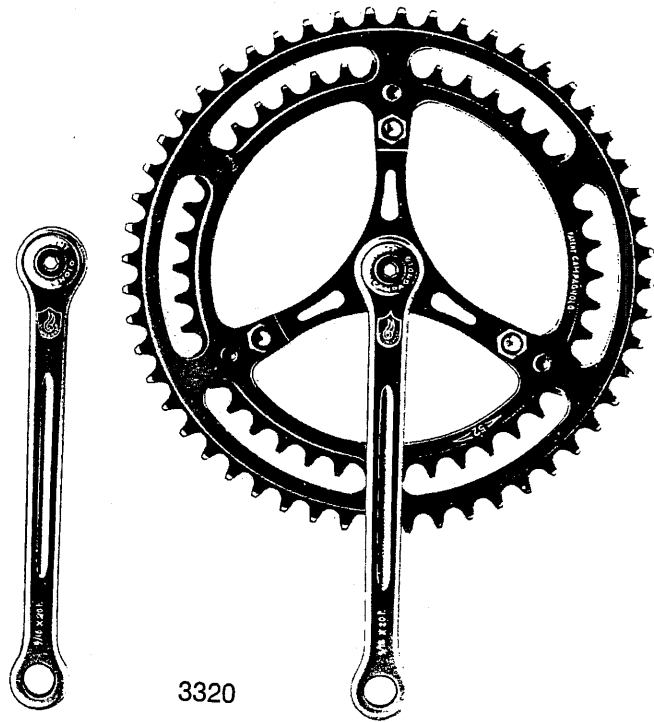


1044



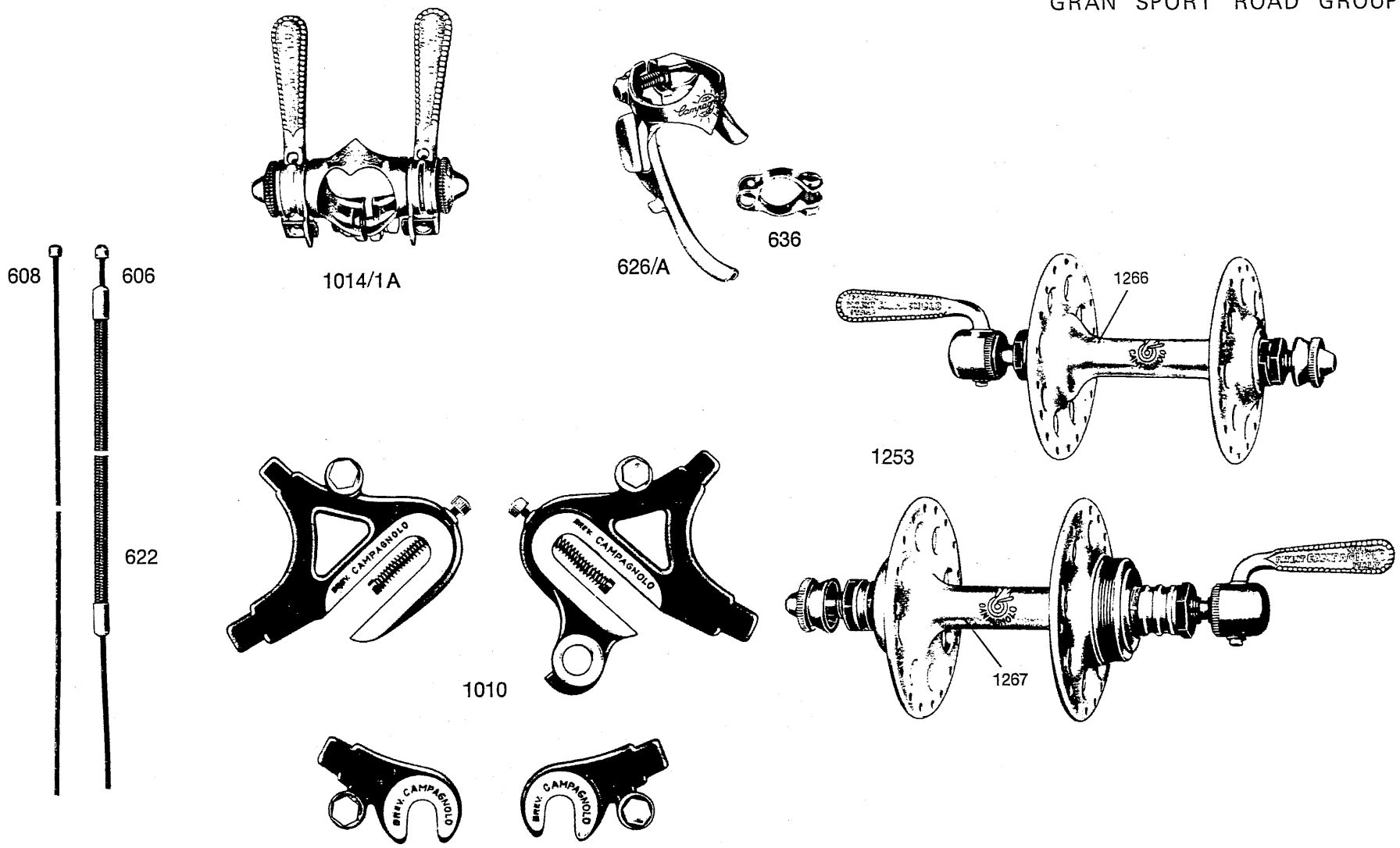
- 1044 Seat pin for wide cradle saddles (please specify diameter and length as shown on pages 39 and 40. If requested, seat pin 1045 for narrow cradle saddles can be supplied.)
- 1046 Record bottom bracket set (Specs: See page 33)
- 1050 Track crankset w/BB (R)

- 1051 Track chainwheel set (chainring for chain 1/2" x 1/8" - Available also for chains 1" x 1/8" or 1" x 3/16" - Please specify number of chainring teeth and crank length - see page 27)
- 1053 Track fork ends (set of 4)
- 2100 Special ballraces for bottom bracket set
- 2102 Special ballraces for head set



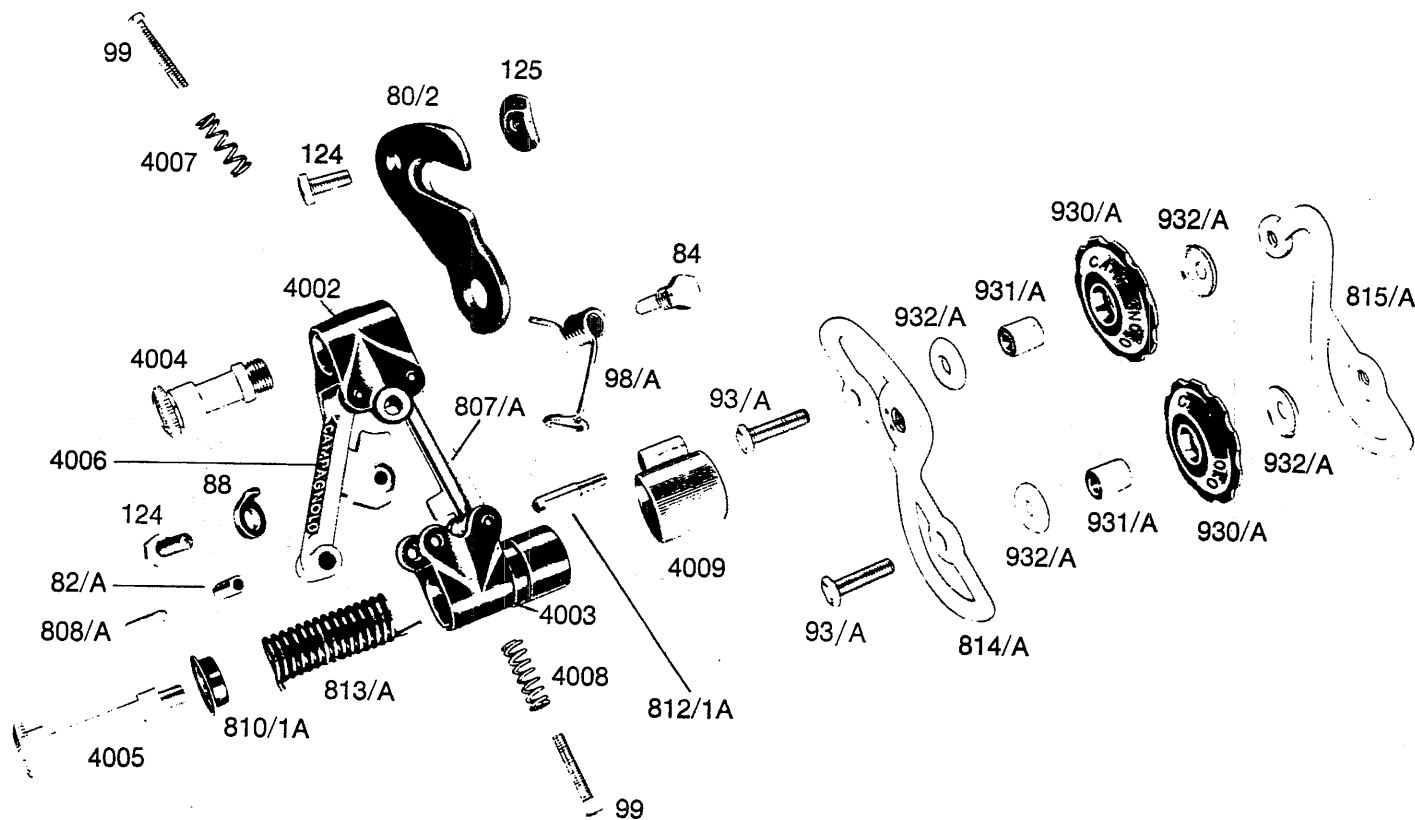
606 Rear derailleur cable (118 cm)  
 608 Front derailleur cable (72 cm) (New Cable is 2 cm longer)

622 Rear derailleur stainless steel cable casing (21 cm)  
 626/A Dual derailleur cable guide  
 636 Cable stop C/S



- |         |  |      |   |
|---------|--|------|---|
| 1010    | Road fork ends - set of 4 (R, NGS)                                       | 2050 | Valentino front derailleur (1052/1 may also be used)            |
| 1014/1A | Dual control (V, NGS)  | 3320 | Sport road crankset w/o BB (Record BB will fit)(Specs: Page 30) |
| 1040/A  | Sport road head set (Specs: Eng., Fr., or Ital. Thread)                  | 3330 | Sport road crankset w/BB  |
| 1253    | Pair large-flange road hubs (NT) (Specs: Holes—36; Thread—Eng. or Ital.) | 3331 | Sport bottom bracket set (Specs on pages 30, 33)                |
|         |  | 3500 | Nuovo Gran Sport rear derailleur w/o hanger                     |

4001/1 CAMPAGNOLO SUPER RECORD REAR DERAILLEUR WITH HANGER  
 4001 CAMPAGNOLO SUPER RECORD REAR DERAILLEUR WITHOUT HANGER

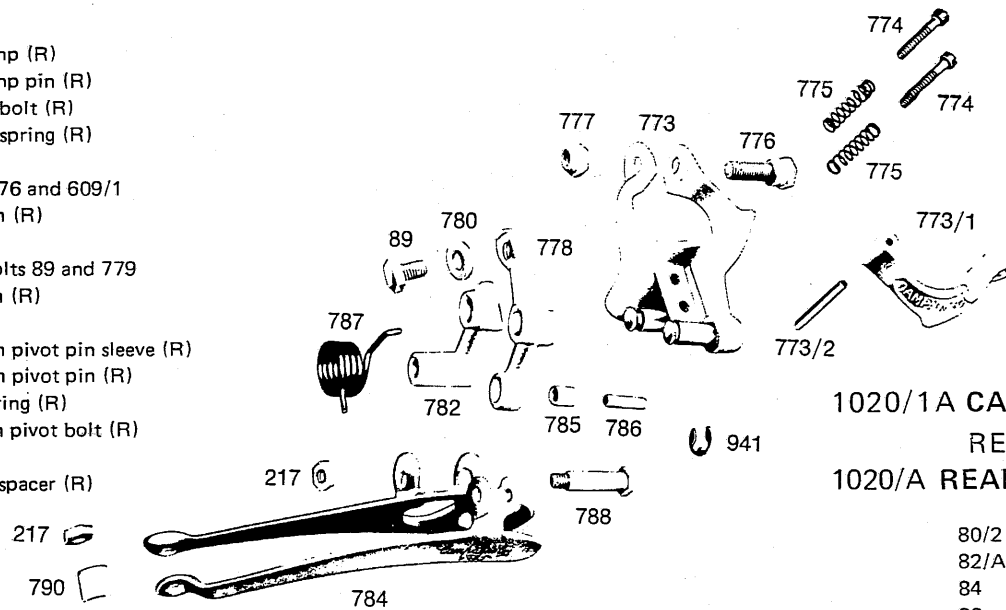


- |  |  |   |
|--|--|---|
| 80/2 Rear derailleur hanger (SR, NR, NGS)              | 807/A Inner rear derailleur arm (SR, NR, RL)           | 937 "New" Roller bushing cover                      |
| 82/A Derailleur arm pivot pin sleeve (SR, NR, RL, NGS) | 808/A Rear derailleur arm pivot pin (SR, NR, RL, NGS)  | 4002 Rear derailleur upper body (SR)                |
| 84 Return spring fixing bolt (SR, NR, NGS)             | 813/A Rear derailleur tension spring (SR, NR, RL, NGS) | 4003 Rear derailleur tension spring cover (SR)      |
| 88 Cable clamp washer for 89                           | 814/A Outer cage plate (SR, NR)                        | 4004 Rear derailleur upper body pivot bolt (SR)     |
| 93/A Roller axle bolt (SR, NR)                         | 815/A Inner cage plate (SR, NR)                        | 4005 Rear derailleur tension spring bolt (SR)       |
| 98/A Derailleur return spring (SR, NR, RL)             | 930/A Derailleur roller (NR)                           | 4006 Rear derailleur outer arm (SR)                 |
| 99 Derailleur adjusting screw (SR, NR, RL, NGS)        | 931/A Roller bushing (NR)                              | 4007 Rear derailleur outer adjustment spring (SR)   |
| 124 Bolt   | 932/A Roller bushing cover (NR)                        | 4008 Rear derailleur lower adjustment spring (SR)   |
| 125 Rear derailleur hanger nut (SR, NR, RL)            |  | 4009 Rear derailleur tension spring cage cover (SR) |



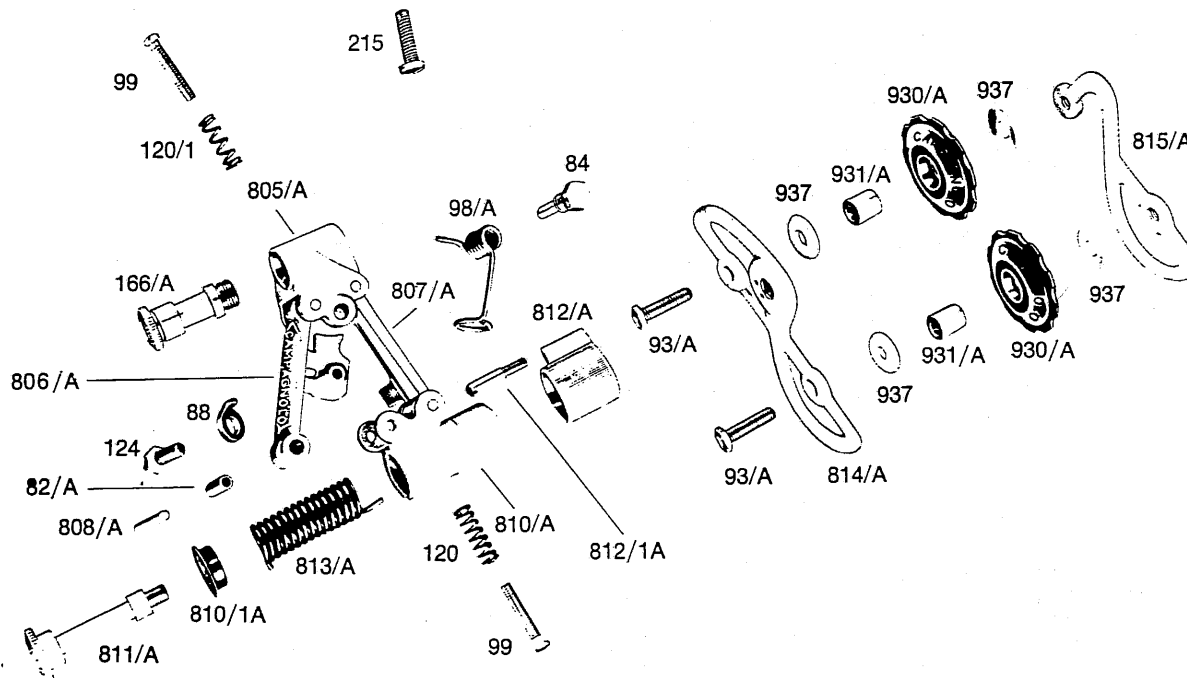
1052/1 CAMPAGNOLO RECORD FRONT DERAILLEUR

- 89 Zinc-Plated bolt—int/w 676, 779
- 215 Cage end bolt for Spacer 790 (NR-Int/w 791)
- 217 Nut (general use)
- 773 Front derailleur body (R)
- 773/1 Front derailleur body clamp (R)
- 773/2 Front derailleur body clamp pin (R)
- 774 Front derailleur adjusting bolt (R)
- 775 Front derailleur adjusting spring (R)
- 776 Clip Fixing bolt
- 777 Clip fixing nut for Bolts 776 and 609/1
- 778 Front derailleur upper arm (R)
- 779 Cable clamp bolt
- 780 Cable clamp washer for bolts 89 and 779
- 782 Front derailleur lower arm (R)
- 784 Front derailleur cage (R)
- 785 Front derailleur upper arm pivot pin sleeve (R)
- 786 Front derailleur upper arm pivot pin (R)
- 787 Front derailleur return spring (R)
- 788 Front derailleur lower arm pivot bolt (R)
- 789 Nut to fit bolt 788 (R)
- 790 Front derailleur cage rear spacer (R)
- 941 Front derailleur pivot arm C-clip (NR)

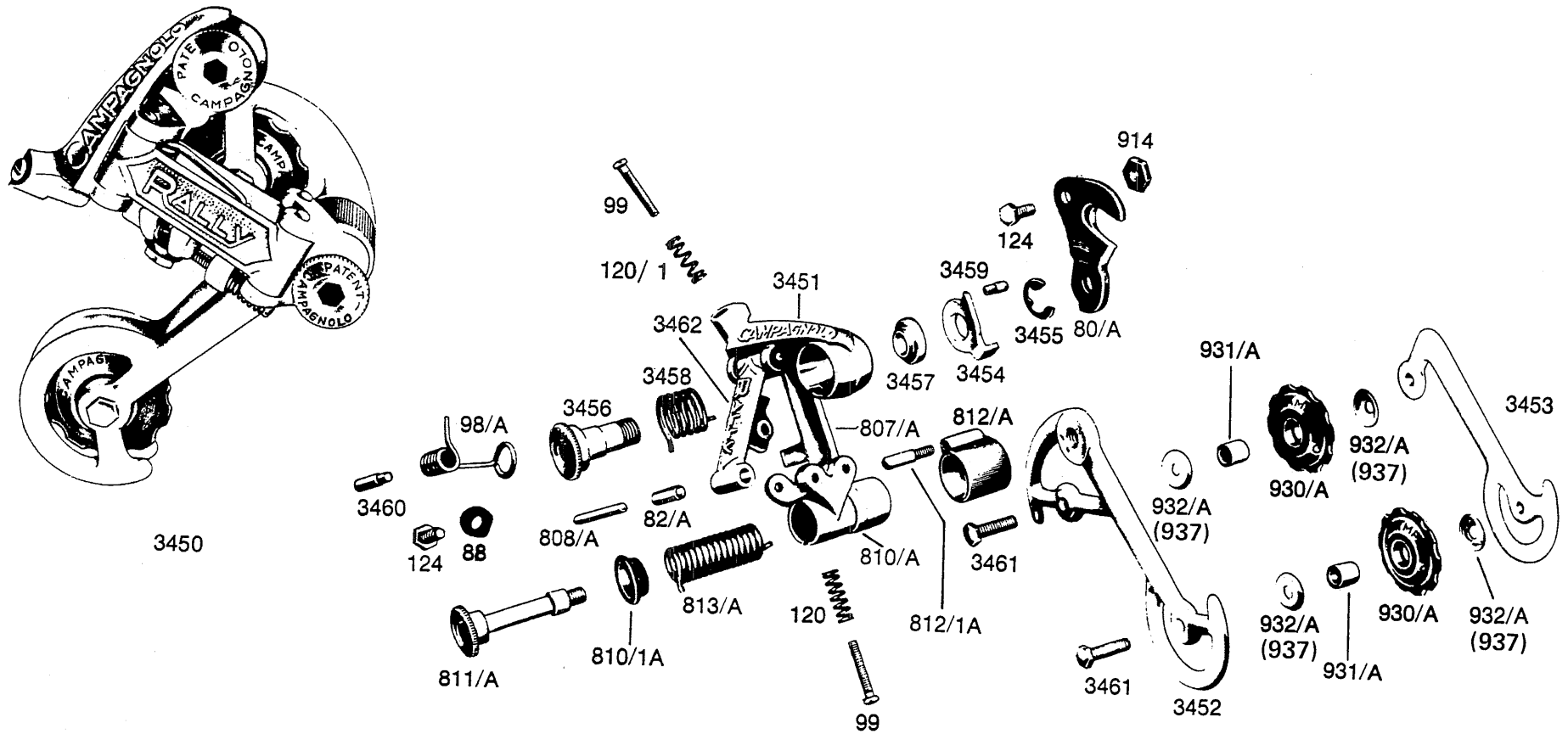


1020/1A CAMPAGNOLO NUOVO RECORD  
REAR DERAILLEUR WITH HANGER  
1020/A REAR DERAILLEUR WITHOUT HANGER

- 80/2 Rear derailleur hanger (SR, NR, NGS)
- 82/A Derailleur arm pivot pin sleeve (SR, NR, RL, NGS)
- 84 Return spring fixing bolt (SR, NR, NGS)
- 88 Cable clamp washer for bolt 89
- 93/A Roller axle bolt (SR, NR)
- 98/A Derailleur return spring (SR, NR, RL)
- 99 Derailleur adjusting screw (SR, NR, RL, NGS)
- 120 Lower tension spring for screw 99 (NR, RL, NGS)
- 120/1 Upper tension spring for screw 99 (NR, RL, NGS)
- 124 Bolt
- 125 Rear derailleur hanger nut
- 166/A Upper pivot bolt (NR)
- 805/A Upper body for rear derailleur (NR)
- 806/A Outer rear derailleur arm (NR)
- 807/A Inner rear derailleur arm (SR, NR, RL)
- 808/A Rear derailleur arm pivot pin (SR, NR, RL, NGS)
- 810/A Rear derailleur tension spring cage (NR, RL)
- 810/1A Rear derailleur tension spring cage face plate (SR, NR, RL, NGS)
- 811/A Tension spring bolt (NR, RL)
- 812/A Spring cage cover (NR, RL)
- 812/1A Spring cage cover stop pin (SR, NR, RL, NGS)
- 813/A Rear derailleur tension spring (SR, NR, RL, NGS)
- 814/A Outer cage plate (SR, NR)
- 815/A Inner cage plate (SR, NR)
- 930/A Derailleur roller (SR, NR)
- 931/A Roller bushing (SR, NR)
- 932/A Roller bushing cover (NGS, VO, "Old Style" NR replaced by cover 937)
- 937 "New" Roller bushing cover (SR, NR, RL)

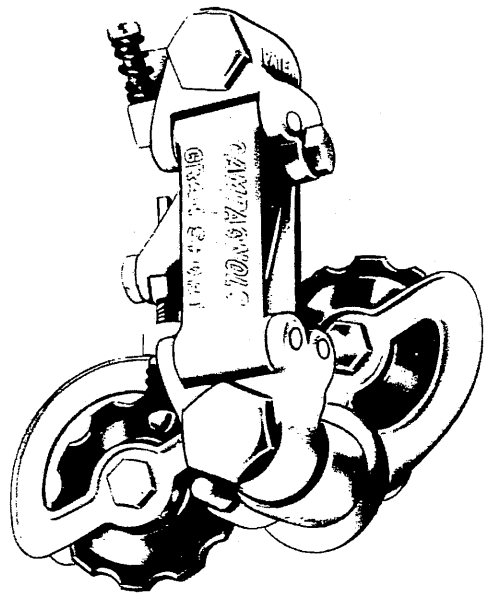


3450/1 CAMPAGNOLO RALLY REAR DERAILLEUR WITH HANGER  
 3450 CAMPAGNOLO RALLY REAR DERAILLEUR WITHOUT HANGER

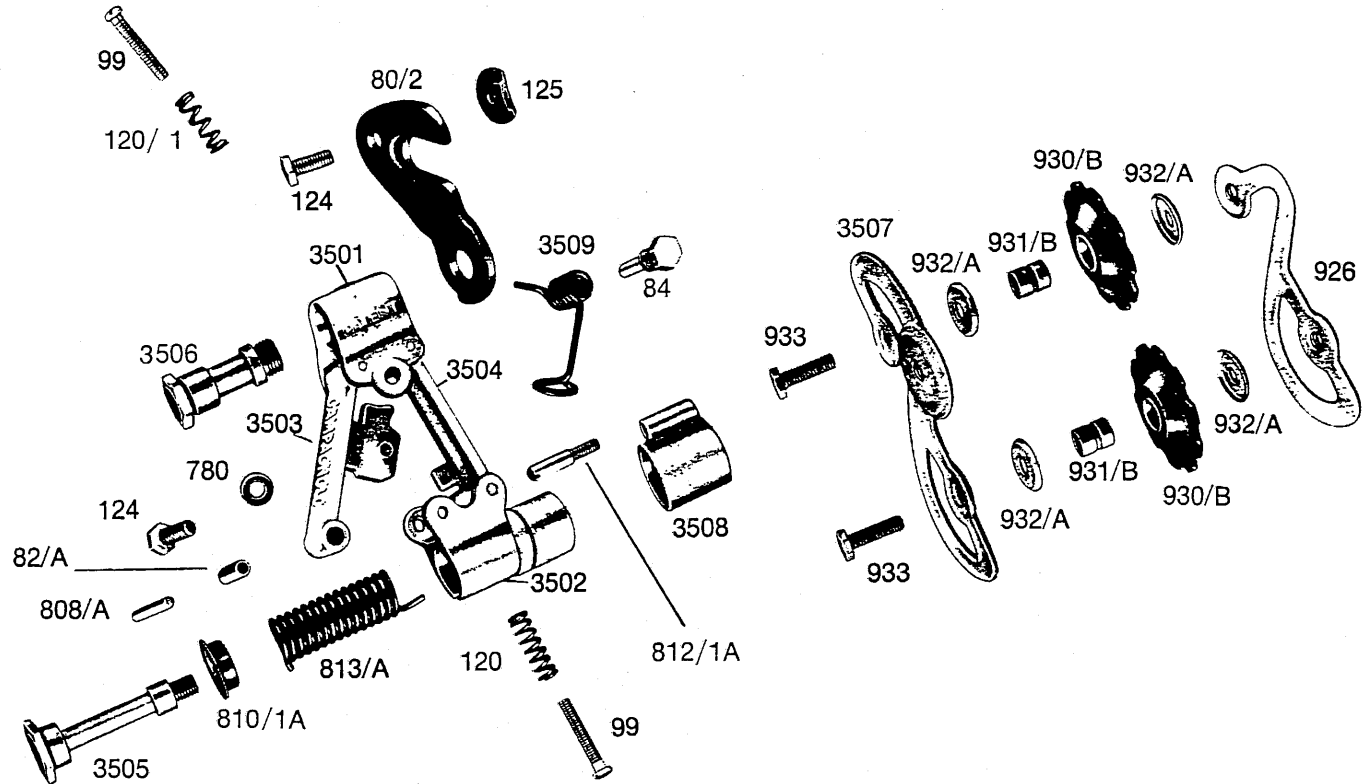


- |       |   |        |  |      |  |
|-------|---|--------|--|------|--|
| 80/A  | Rear derailleur hanger (RL, VO, V)                | 810/1A | Rear derailleur tension spring cage face plate (SR, NR, RL, NGS) | 3451 | Rear derailleur upper body (RL)              |
| 82/A  | Derailleur arm pivot pin sleeve (SR, NR, RL, NGS) | 811/A  | Tension spring bolt (NR, RL)                                     | 3452 | Rear derailleur outer cage plate (RL)        |
| 88    | Cable clamp washer for 89                         | 812/A  | Spring cage cover (NR, RL)                                       | 3453 | Rear derailleur inner cage plate (RL)        |
| 99    | Derailleur adjusting screw (SR, NR, RL, NGS)      | 812/1A | Spring cage cover stop pin (SR, NR, RL, NGS)                     | 3454 | Rear derailleur hanger stop plate (RL)       |
| 98/A  | Derailleur return spring (SR, NR, RL)             | 813/A  | Rear derailleur tension spring (SR, NR, RL, NGS)                 | 3455 | Rear derailleur hanger bolt C clip (RL)      |
| 120   | Lower tension spring for 99 (NR, RL, NGS)         | 914    | Nut for hanger bolt 124 (RL)                                     | 3456 | Rear derailleur upper pivot bolt (RL)        |
| 120/1 | Upper tension spring for 99 (NR, RL, NGS)         | 930/A  | Derailleur roller (NR)   | 3457 | Rear derailleur upper spring cage plate (RL) |
| 124   | Bolt  | 931/A  | Roller bushing   | 3458 | Rear derailleur upper tension spring (RL)    |
| 807/A | Inner rear derailleur arm (SR, NR, RL)            | 932/A  | Roller bushing cover (All)                                       | 3459 | Rear derailleur hanger stop plate pin (RL)   |
| 808/A | Rear derailleur arm pivot pin (SR, NR, RL, NGS)   | 937    | "New" Roller bushing cover (SR, NR, RL)                          | 3460 | Rear derailleur return spring pin (RL)       |
| 810/A | Rear derailleur tension spring cage (NR, RL)      |        |  | 3461 | Rear derailleur roller axle bolt (RL)        |
|       |   |        |  | 3462 | Rear derailleur outer arm (RL)               |

3500/1 CAMPAGNOLO NUOVO GRAN SPORT REAR DERAILLEUR WITH HANGER  
 3500 CAMPAGNOLO NUOVO GRAN SPORT REAR DERAILLEUR WITHOUT HANGER



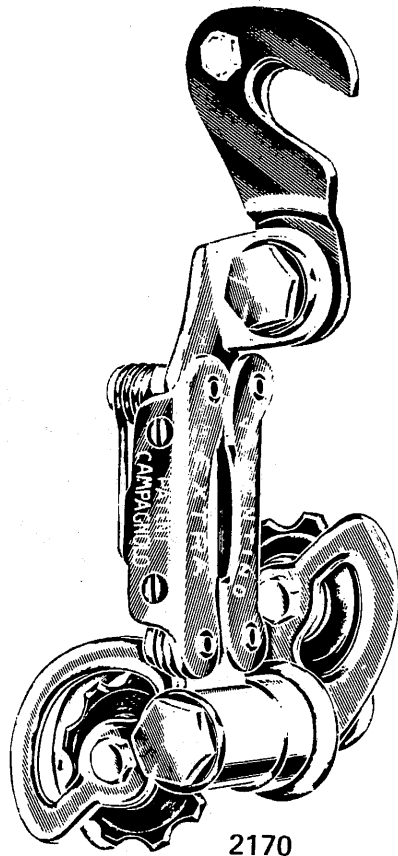
3500



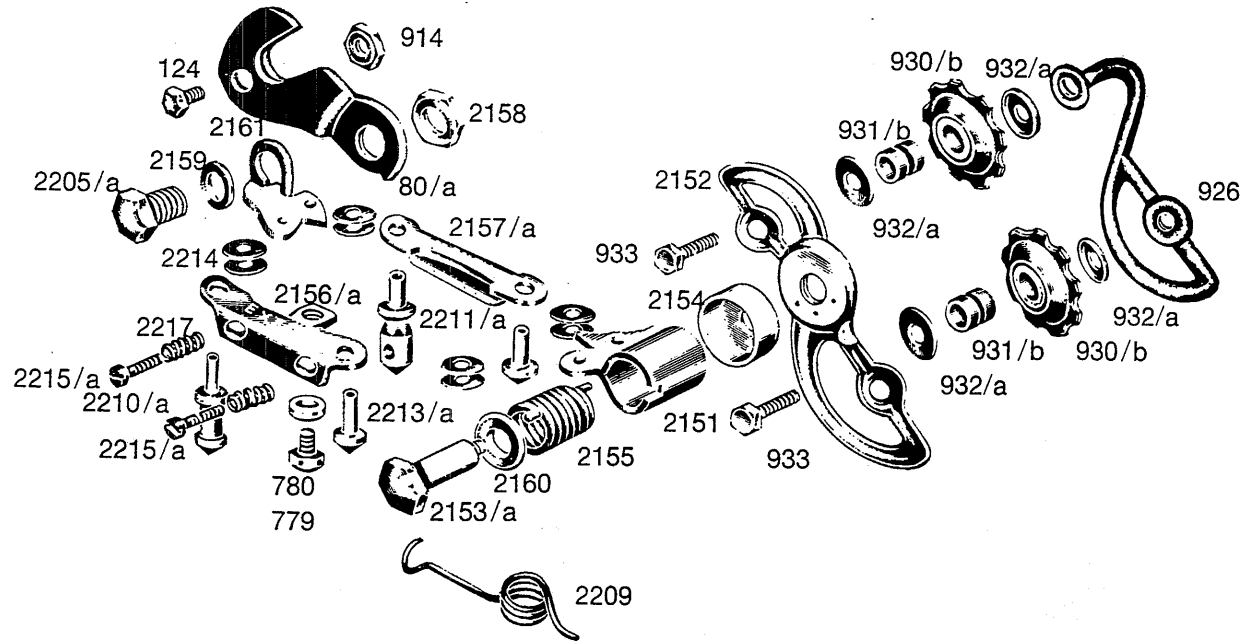
80/2 Rear derbilleur hanger (SR, NR, NGS)  
 82/A Derailleur arm pivot pin sleeve (SR, NR, RL, NGS)  
 84 Return spring fixing bolt (SR, NR, NGS)  
 99 Derailleur adjusting screw (SR, NR, RL, NGS)  
 120 Lower tension spring for 99 (NR, RL, NGS)  
 120/1 Upper tension spring for 99 (NR, RL, NGS)  
 124 Bolt  
 125 Rear derailleur hanger nut (SR, NR, NGS)

780 Cable clamp washer  
 808/A Rear derailleur arm pivot pin (SR, NR, RL, NGS)  
 810/1A Rear derailleur tension spring bushing (NR, RL)  
 812/1A Spring cage cover stop pin (NR, RL)  
 813/A Tension spring  
 926 Inner cage plate (NGS, VO)  
 930/B Derailleur roller (NGS, VO)  
 931/B Roller bushing (NGS, VO)  
 932/A Roller bushing cover (All)  
 933 Roller axle bolt (NGS, VO)

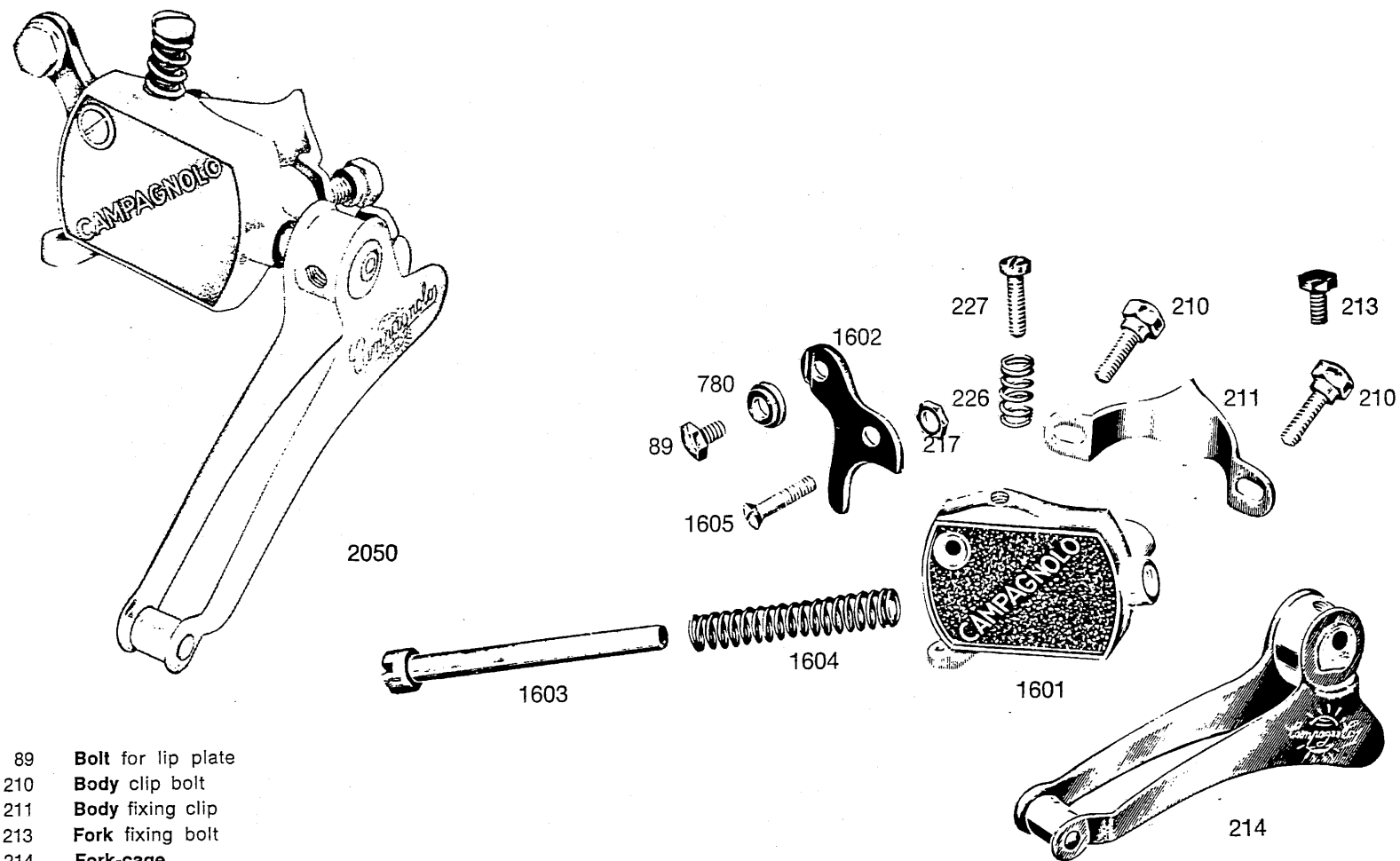
3501 Rear derailleur upper body (NGS)  
 3502 Rear derailleur lower body (NGS)  
 3503 Rear derailleur outer arm (NGS)  
 3504 Rear derailleur inner arm (NGS)  
 3505 Rear derailleur tension spring bolt (NGS)  
 3506 Rear derailleur upper body pivot bolt (NGS)  
 3507 Rear derailleur outer cage plate (NGS)  
 3508 Rear derailleur spring cage cover (NGS)  
 3509 Rear derailleur return spring (NGS)



2170



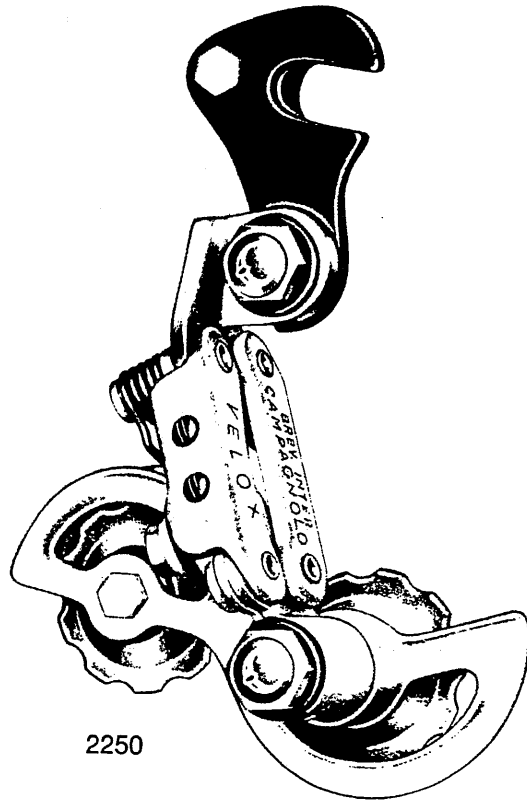
- |        |                           |        |                         |
|--------|---------------------------|--------|-------------------------|
| 80/a   | Gear fixing plate         | 2156/a | Outer arm               |
| 124    | Fixing screw              | 2157/a | Inner arm               |
| 779    | Cable clamp screw         | 2158   | Gear counter fixing nut |
| 780    | Cable clamp screw washer  | 2159   | Gear hanger bolt        |
| 914    | Nut for fixing plate bolt | 2160   | Spring cage cover       |
| 926    | Inner cage plate          | 2161   | Rear body               |
| 930/b  | Rollers                   | 2205/a | Fixing pivot bolt       |
| 931/b  | Roller bushes             | 2209   | Gear return spring      |
| 932/a  | Roller dust cover         | 2210/a | Return spring spindle   |
| 933    | Roller bolt               | 2211/a | Spindle                 |
| 2151   | Spring cage               | 2213/a | Arm rivets              |
| 2152   | Outer cage plate          | 2214   | Spring washer           |
| 2153/a | Spring cage bolt          | 2215/a | Adjusting bolt          |
| 2154   | Cover                     | 2217   | Adjusting screw spring  |
| 2155   | Gear tension spring       |        |                         |



- 89 Bolt for lip plate
- 210 Body clip bolt
- 211 Body fixing clip
- 213 Fork fixing bolt
- 214 Fork-cage
- 217 Nut for spacing screw bolt
- 226 Adjusting bolt spring
- 227 Adjusting lever screw
- 780 Cable clamp screw washer
- 1601 Front changer body
- 1602 Control fork
- 1603 Spindle
- 1604 Return spring
- 1605 Bolt

2250

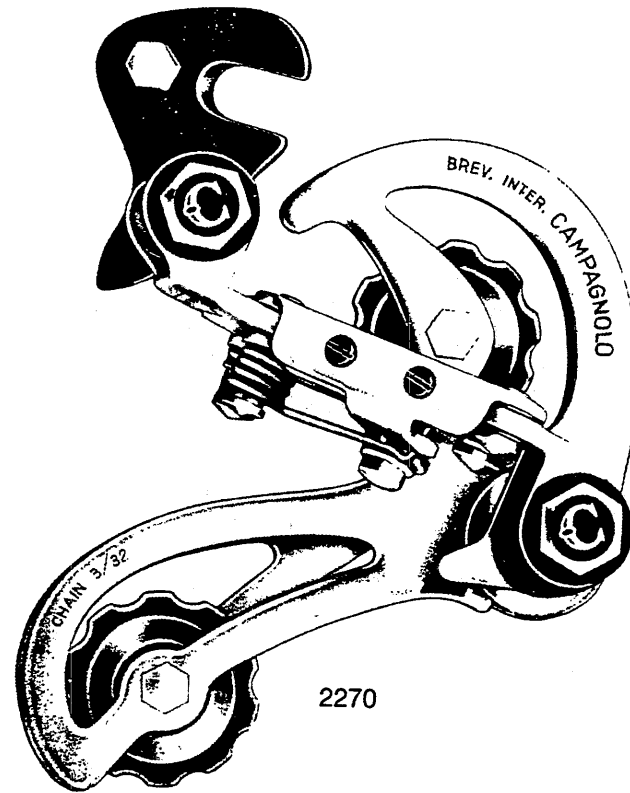
CAMPAGNOLO VELOX  
REAR DERAILLEUR



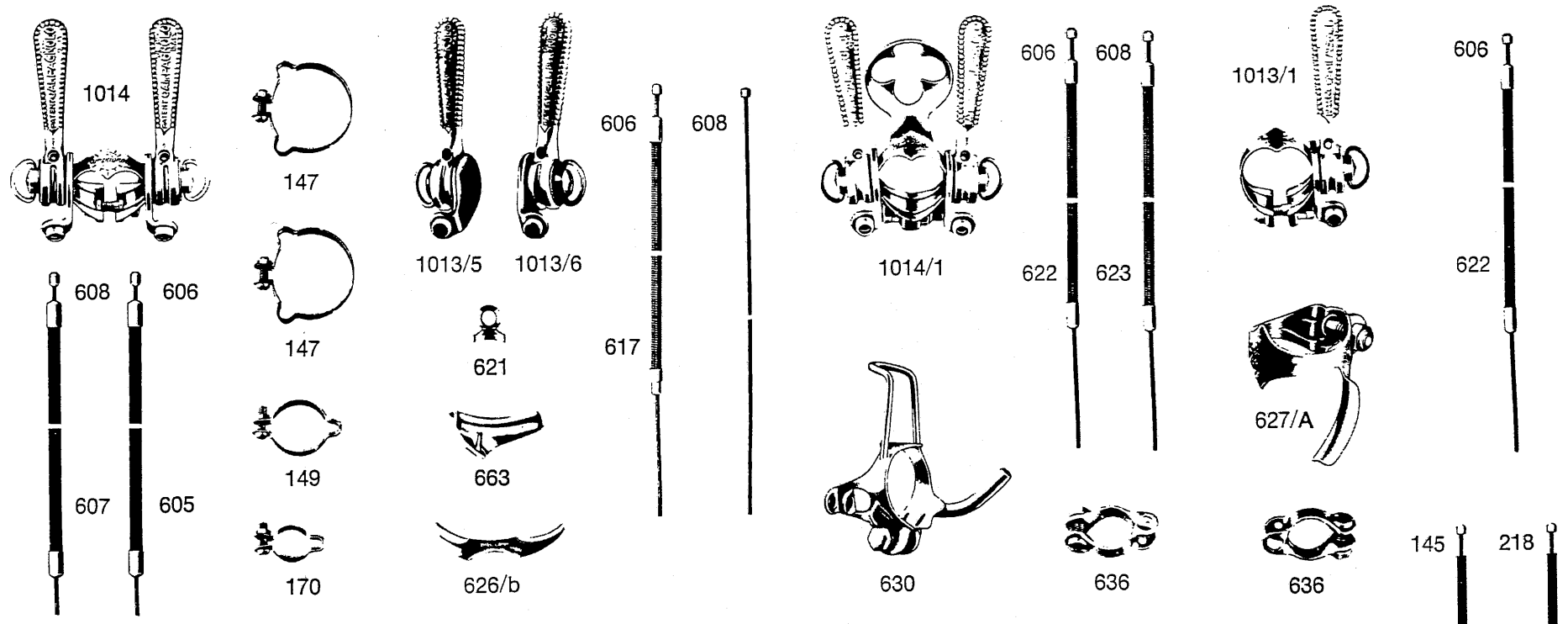
2250

2270

CAMPAGNOLO GRAN TURISMO  
REAR DERAILLEUR

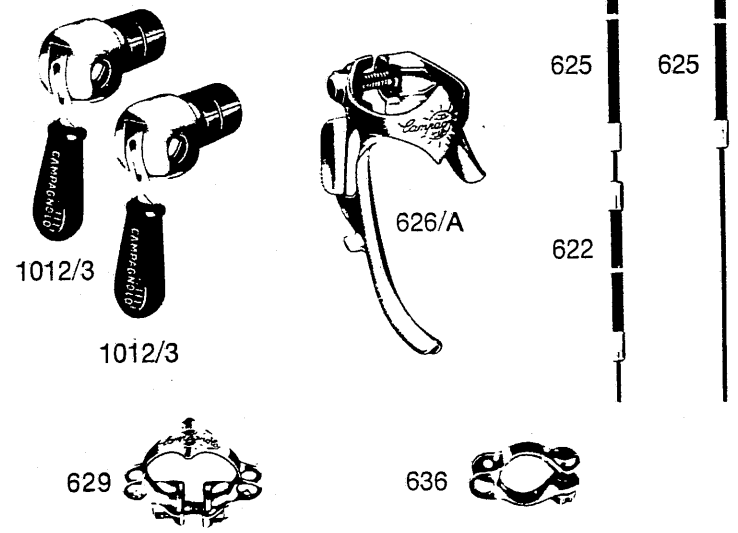


2270

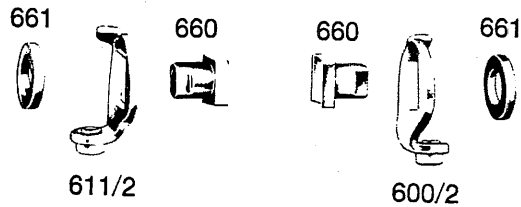
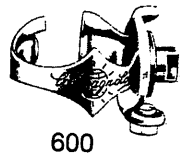
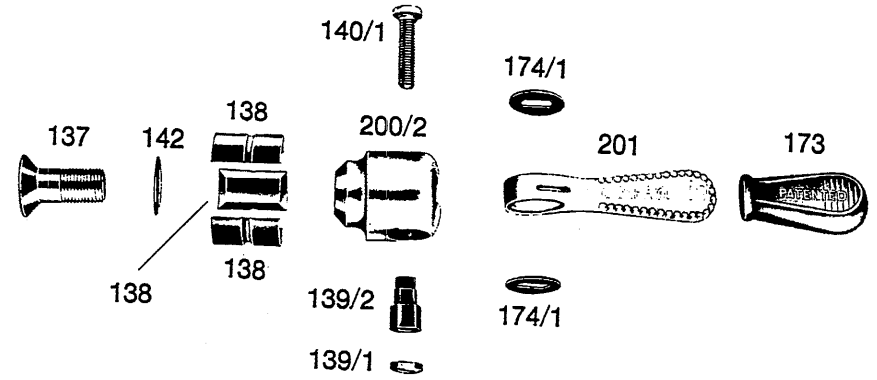
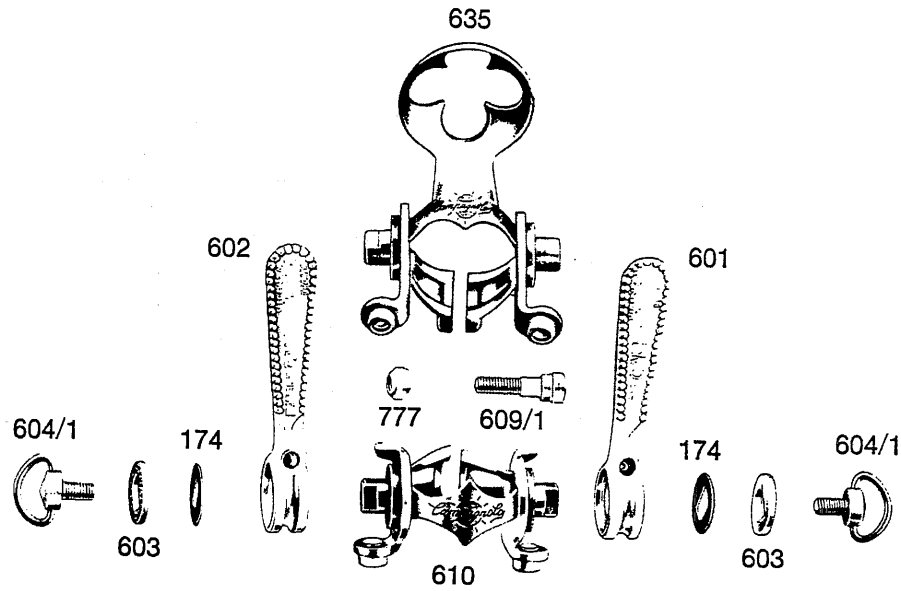


- 145 H.C. rear derailleur cable - 197 cm
- 218 H.C. front derailleur cable - 150 cm
- 606 Rear derailleur cable - 118 cm
- 608 Front derailleur cable - 72 cm (new cable 2 cm longer)
- 617 Stainless steel rear derailleur cable casing to fit 621 - 21 cm (R)
- 621 Braze-On rear derailleur cable stop
- 622 Rear derailleur stainless steel cable casing - 21 cm
- 623 Front derailleur stainless steel cable casing - 15.5 cm
- 625 Stainless steel cable casing to 629 for H.C. - 75 cm

- 626/A Dual derailleur cable guide
- 626/B Braze-On front derailleur cable guide
- 627/A R.H. cable guide (S/T)
- 629 Dual D/T cable stop for H.C.
- 630 Clamp with tunnel, stop and pump holder D/T
- 636 Rear derailleur cable stop C/S
- 663 Braze-On rear derailleur cable guide
- 1012/3 Handlebar control
- 1013/1 R.H. control (R)
- 1013/5 L.H. braze-on control (R)
- 1013/6 R.H. braze-on control (R)
- 1014 Dual control (R)
- 1014/1 Dual control w/pump clip (R)



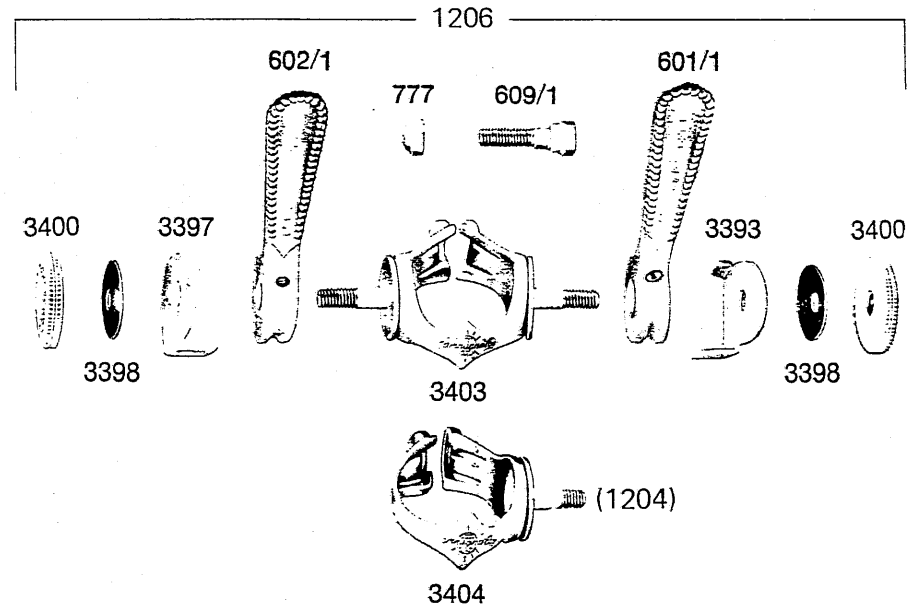
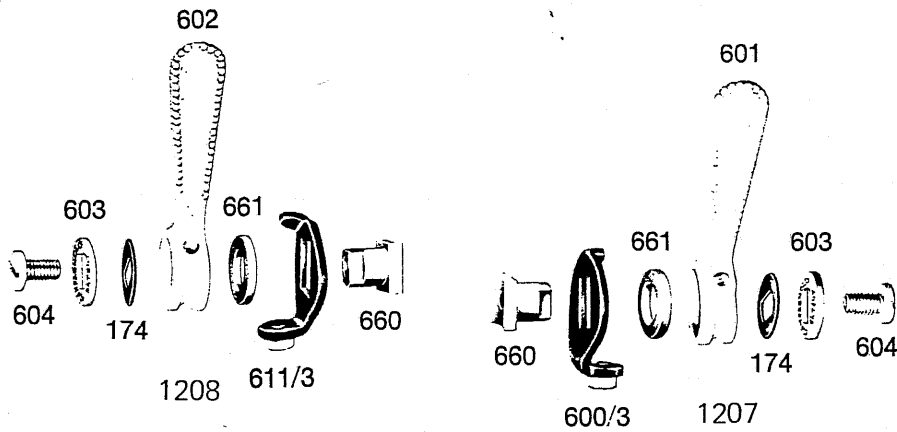
CAMPAGNOLO RECORD CONTROL LEVER PARTS



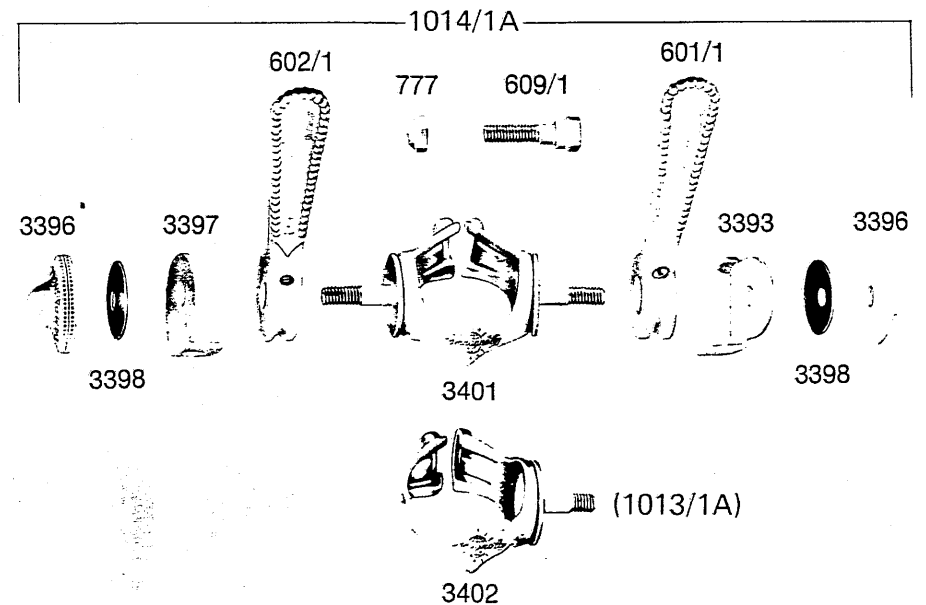
- 137 H.C. segment expander bolt
- 138 H.C. expander segment
- 139/1 H.C. tension adjusting lock nut
- 139/2 H.C. nut
- 140/1 H.C. bolt
- 142 H.C. segment holding spring
- 173 Plastic lever cover H.C.
- 174 Control lever friction washer (D/T)
- 174/1 H.C. friction washer
- 200/2 H.C. body
- 201 H.C. lever
- 600 R.H. control - clamp only (R)
- 600/2 R.H. control stop plate for 660 (R)
- 601 R.H. control - lever only (R, Braze-on)
- 602 L.H. control - lever only (R, Braze-on)
- 603 Friction washer cover plate (D/T control)
- 604/1 Friction adjusting wingnut
- 609 Control clamp bolt and nut (609/1 and 777)
- 609/1 Clamp bolt
- 610 Dual control clamp only (R)
- 611/2 L.H. control lever stop plate for 660 (R)
- 635 Dual control clamp only w/pump holder (R)
- 660 Braze-On control boss
- 661 Control boss collar for 660
- 777 Clip fixing nut for bolts 776 and 609/1



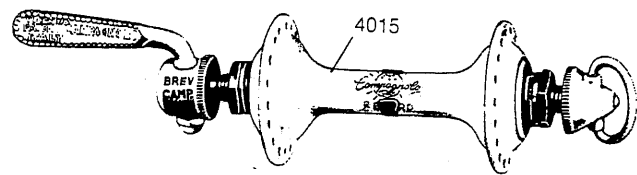
CAMPAGNOLO SPORT CONTROL LEVER PARTS



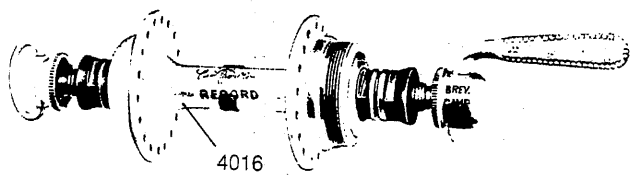
- 174 Control lever friction washer (D/T)
- 600/3 R.H. control stop plate for 660 (VO)
- 601 R.H. control - lever only (R, braze-on)
- 601/1 R.H. control - lever only (VO, V, SE, NGS)
- 602 L.H. control - lever only (R, braze-on)
- 602/1 L.H. control - lever only (VO, V, SE, NGS)
- 603 Friction washer cover plate (D/T control)
- 604 Friction adjusting screw (VO)
- 609 Control clamp bolt and nut (609/1 and 777)
- 609/1 Clamp bolt
- 611/3 L.H. control stop plate for 660 (VO)
- 660 Braze-On control boss
- 661 Control boss collar for 660
- 777 Clip fixing nut for bolts 776 and 609/1
- 1013/1A R.H. control complete (V)
- 1014/1A Dual control complete (V, NGS)
- 1204 R.H. control complete (VO)
- 1206 Dual control complete (VO)
- 1207 R.H. braze-on control (VO)
- 1208 L.H. braze-on control (VO)
- 3393 R.H. control stop plate (New VO)
- 3396 Control tension adjusting nut (NGS)
- 3397 L.H. control stop plate (New VO)
- 3398 Control friction washer (New VO, NGS)
- 3400 Control tension adjusting nut (New VO)
- 3401 Dual control clamp only (NGS)
- 3402 R.H. control clamp only (NGS)
- 3403 Dual control clamp only (New VO)
- 3404 R.H. control clamp only (New VO)



# CAMPAGNOLO SUPER RECORD HUBS AND PARTS



4014



4016

(NOTE: Super Record high-flange hubs on pages 3 and 6)

4104 Pair super record low-flange track hubs  
(Specs: Holes—24 to 40; Threads—Eng.,  
Fr., or Ital.)

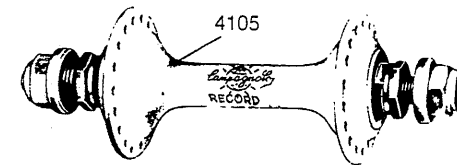
4105 Front low-flange track hub (SR)

4106 Rear low-flange track hub (SR)

4014 Pair super record low-flange road hubs  
(Specs: Holes—24 to 40; Threads—Eng.,  
Fr., or Ital.)

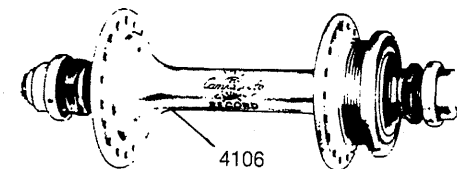
4015 Front low-flange road hub (SR)

4016 Rear low-flange road hub (SR)

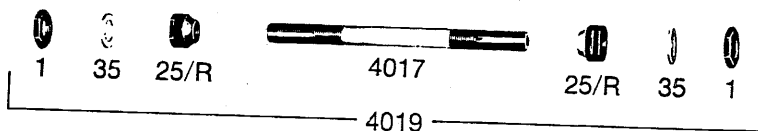


4105

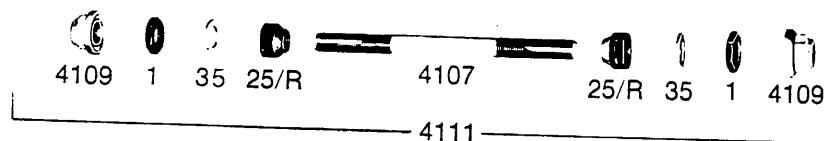
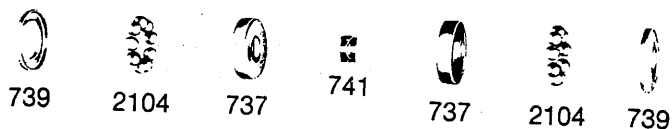
4104



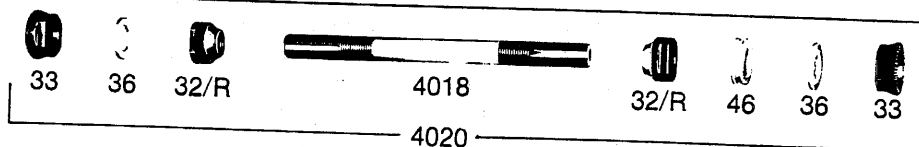
4106



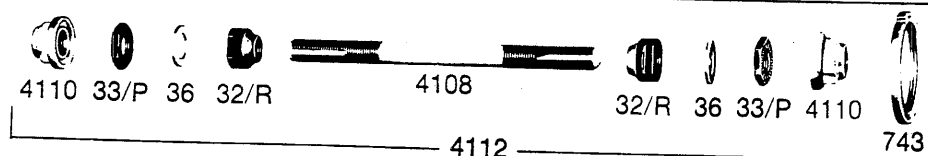
4019



4111



4020



4112

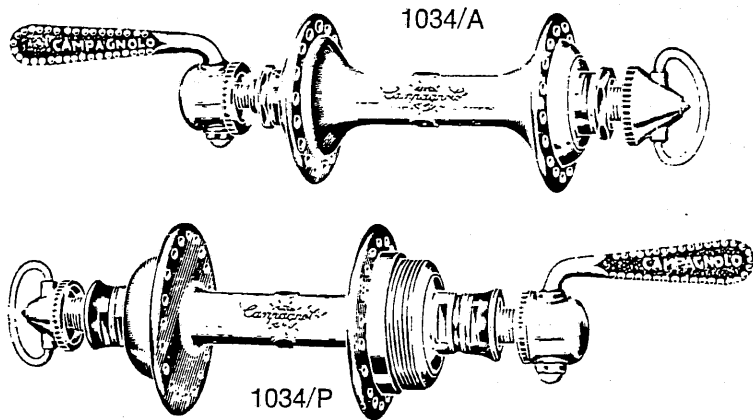


1 Front axle lock nut (All)  
25/R Front axle cone  
32/R Rear axle cone  
33 Rear road axle lock nut  
33/P Rear track axle lock nut  
35 Front axle tongued washer (All)  
36 Rear axle tongued washer (All)  
46 Rear road axle spacer

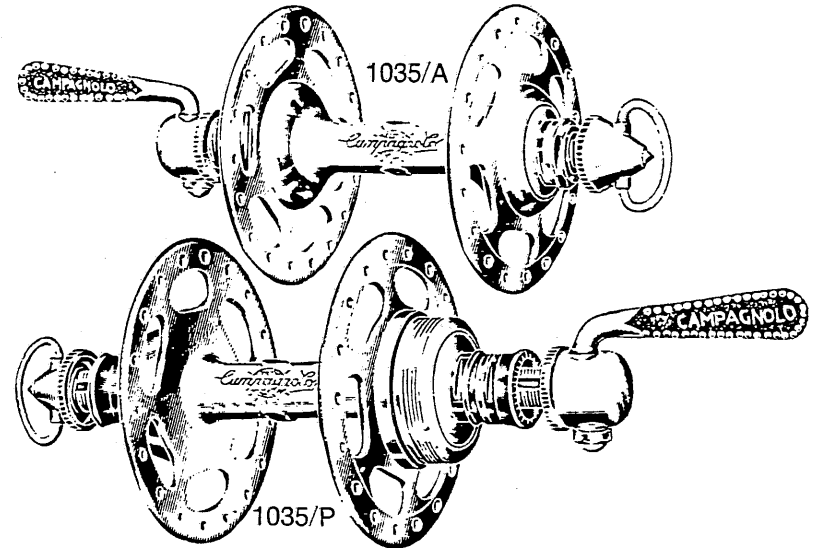
737 Front hub inserted race (All-SR, R)  
738 Rear hub inserted race (All-SR, R)  
739 Front hub dust cover (All-SR, R)  
740 Rear hub dust cover (All-SR, R)  
741 Hub oil hole cap (SS-Front and Rear)  
743 Track sprocket lock ring (Specs:  
Threads—Eng., Fr., or Ital.)  
2104 Bearing balls for front hubs (R, SR)  
2106 Bearing balls for rear hubs (All)

4017 Front road axle only (SR)  
4018 Rear road axle only (SR)  
4019 Front road axle complete (SR)  
4020 Rear road axle complete (SR)  
4107 Front track axle only (SR)  
4108 Rear track axle only (SR)  
4109 Front track axle nut (SR)  
4110 Rear track axle nut (SR)  
4111 Front track axle complete (SR)  
4112 Rear track axle complete (SR)

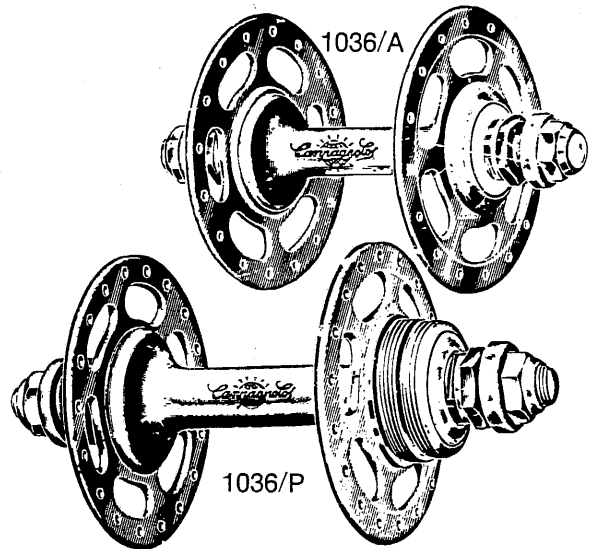
1034 RECORD SMALL FLANGE CAMPAGNOLO QUICK RELEASE ROAD HUBS



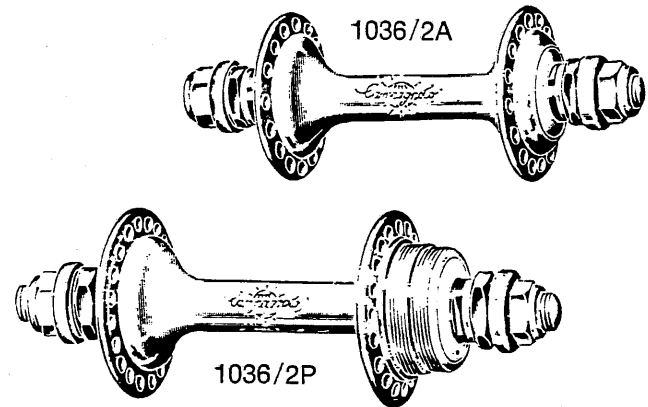
1035 RECORD LARGE FLANGE CAMPAGNOLO QUICK RELEASE ROAD HUBS



1036 RECORD LARGE FLANGE SOLID SPINDLE TRACK HUBS



1036/2 RECORD SMALL FLANGE SOLID SPINDLE TRACK HUBS



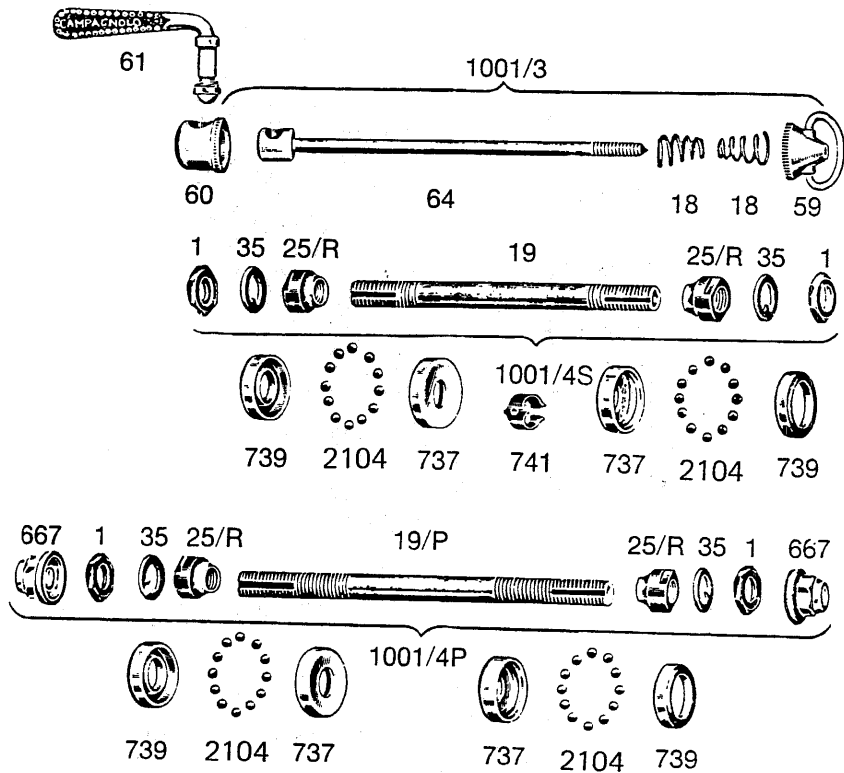
WHEN ORDERING PLEASE SPECIFY: { THREAD (Ø 35 × 24 F. OR Ø 34,7 × 1 OR Ø 1.370 × 24 F.)  
 NUMBER OF HOLES (24 - 28 - 32 - 36 - 40)

HUBS ORDERED WITHOUT SPECIFICATION WILL BE SUPPLIED WITH Ø 1.370 X 24 F. AND WITH 36 HOLES

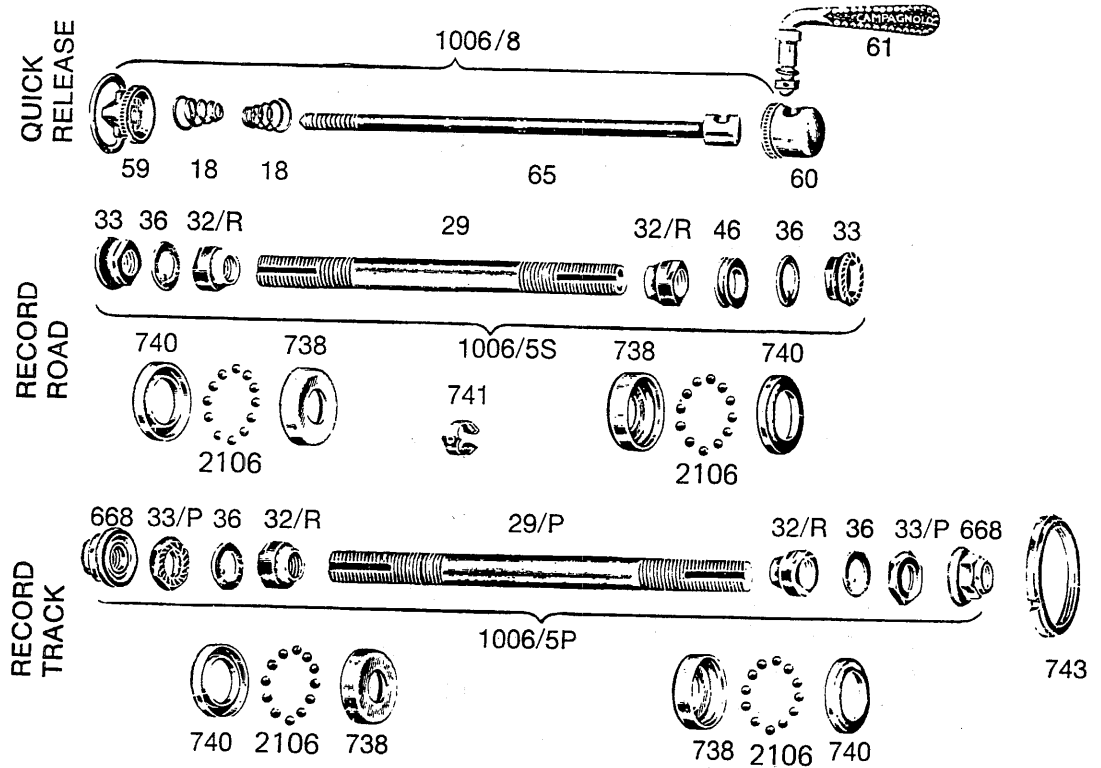
SIX-SPROCKET HUBS ALSO AVAILABLE

# CAMPAGNOLO RECORD HUB PARTS

## FRONT



## REAR

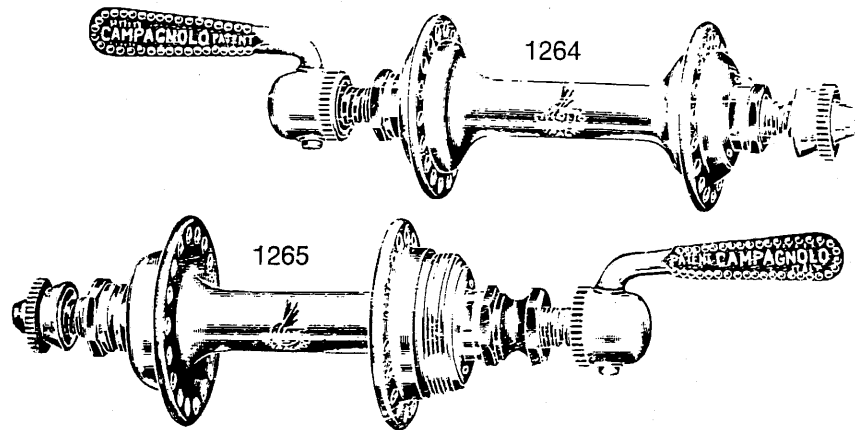


- 1 Front lock nut
- 18 Conical spring
- 19 Front road axle for Record road hubs
- 19 P Front track solid spindle axle
- 25 R Record front cone
- 29 Rear road axle for Record road hubs
- 29 P Rear track solid spindle
- 32 R Record rear cone
- 33 Rear lock nut for Record road hubs
- 33 P Rear lock nut for Record track hubs
- 35 Front spindle washer
- 36 Rear spindle washer

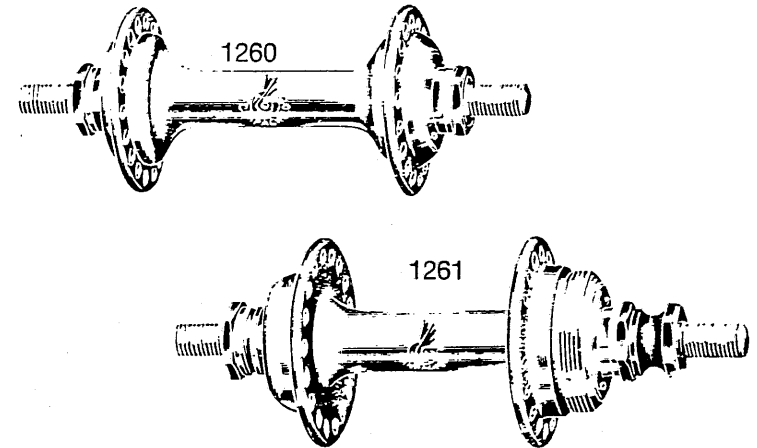
- 46 Rear spacing collar
- 59 Quick release conical adjuster
- 60 Quick release lever housing
- 61 Complete quick release lever
- 61/1 Quick release lever washer (SR, NR)
- 61/2 Quick release lever nut (SR, NR)
- 64 Quick release front skewer
- 65 Quick release rear skewer
- 667 Track front nut
- 668 Track rear nut
- 737 Front Record ball cup
- 738 Rear Record ball cup
- 739 Front dust cover

- 740 Rear dust cover
- 741 Spring clip
- 743 Track lock ring
- 1001/3 Front quick release skewer complete
- 1001/4P Front track axle complete
- 1001/4S Front road axle complete
- 1006/5P Rear track axle complete
- 1006/5S Rear road axle complete
- 1006/5S Rear road axle complete for 6-speed (must specify)
- 1006/8 Rear quick release skewer complete
- 2104 Bearing balls for front hubs (R, SR)
- 2106 Bearing balls for all rear hubs

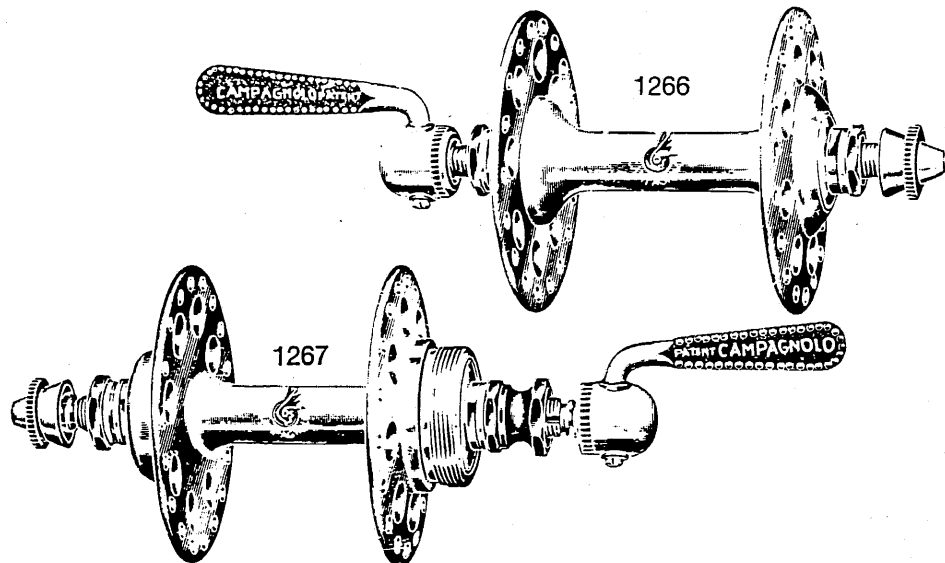
1251 NUOVO TIPO SMALL FLANGE CAMPAGNOLO QUICK RELEASE HUBS



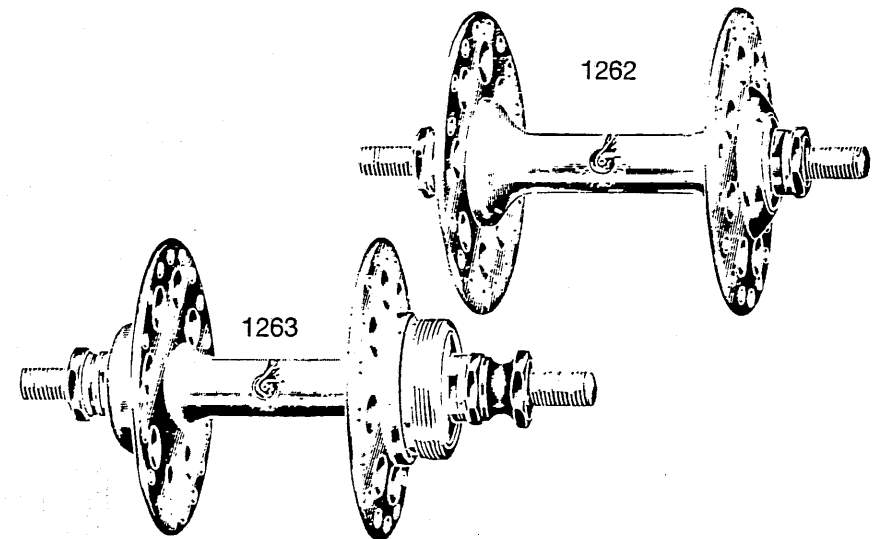
1250 NUOVO TIPO SMALL FLANGE CAMPAGNOLO SOLID SPINDLE HUBS



1253 NUOVO TIPO LARGE FLANGE CAMPAGNOLO QUICK RELEASE HUBS



1252 NUOVO TIPO LARGE FLANGE CAMPAGNOLO SOLID SPINDLE HUBS

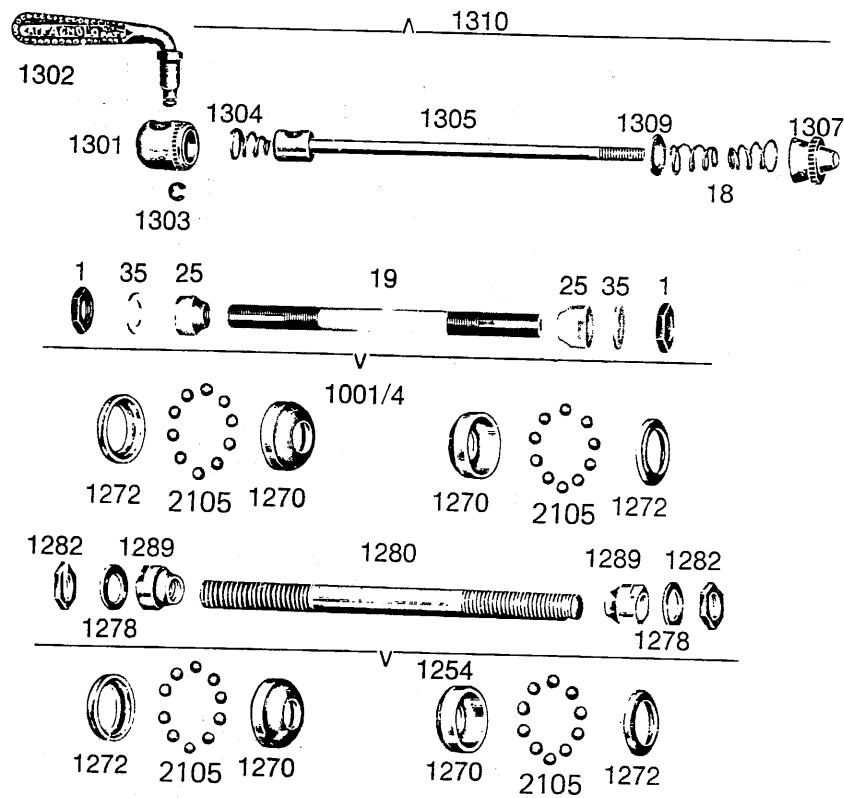


WHEN ORDERING PLEASE SPECIFY: { THREAD ( $\varnothing$  35 x 24 F. OR  $\varnothing$  34,7 x 1 OR  $\varnothing$  1.370 x 24 F.)  
 NUMBER OF HOLES (24 - 28 - 32 - 36 - 40)

HUBS ORDERED WITHOUT SPECIFICATION WILL BE SUPPLIED WITH  $\varnothing$  1.370 X 24 F. AND WITH 36 HOLES

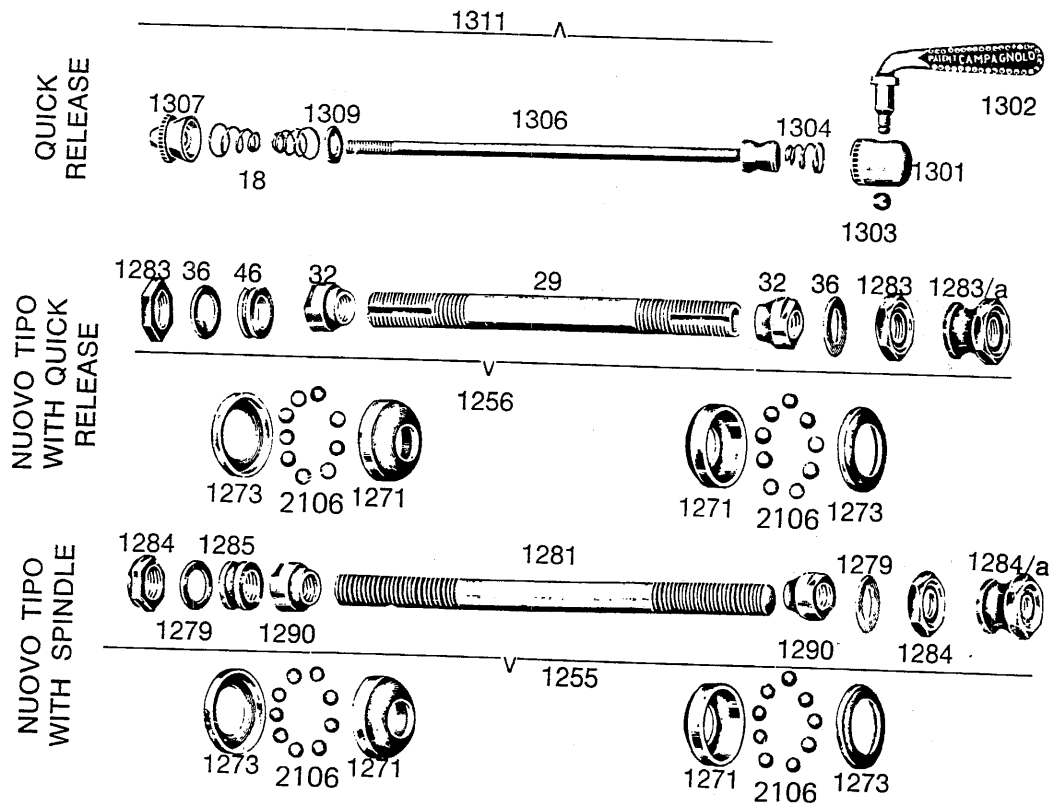
# CAMPAGNOLO NUOVO TIPO HUB PARTS

## FRONT



- 1 Front lock nut
- 18 Conical spring
- 19 Front road axle
- 25 Front road axle cone
- 29 Rear road axle
- 32 Rear Record cone
- 35 Front spindle washer
- 36 Rear spindle washer
- 46 Rear spacing collar
- 1001/4 Complete front hollow spindle for Nuovo Tipo hubs
- 1254 Complete front solid spindle for Nuovo Tipo hubs
- 1255 Complete rear solid spindle for Nuovo Tipo hubs
- 1256 Complete rear hollow spindle for Nuovo Tipo hubs
- 1270 Front inserted race

## REAR



- 1271 Rear inserted race
- 1272 Front dust cap
- 1273 Rear dust cap
- 1278 Spindle front washer
- 1279 Spindle rear washer
- 1280 Front spindle
- 1281 Rear spindle
- 1282 Front locknut
- 1283 Rear locknut
- 1283/a Rear spacer nut
- 1284 Rear locknuts
- 1284/a Spindle special nut
- 1285 Large spacing collar
- 1286 Small spacing collar

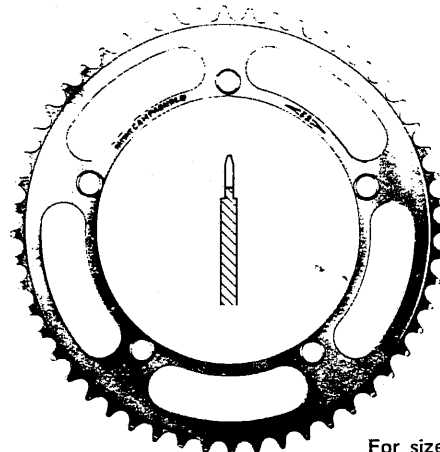
- 1289 Front spindle cone
- 1290 Rear spindle cone
- 1301 Chrome cam cap
- 1302 Quick release lever
- 1303 Circlip for lever
- 1304 Conical spring
- 1305 Front skewer
- 1306 Rear skewer
- 1307 Knurled adjusting nut
- 1309 Washer for skewer
- 1310 Nuovo Tipo front quick release skewer
- 1311 Nuovo Tipo rear quick release skewer
- 2105 Front hub bearings
- 2106 Rear hub bearings

CAMPAGNOLO SUPER RECORD AND RECORD CRANKSET PARTS

754 755

801

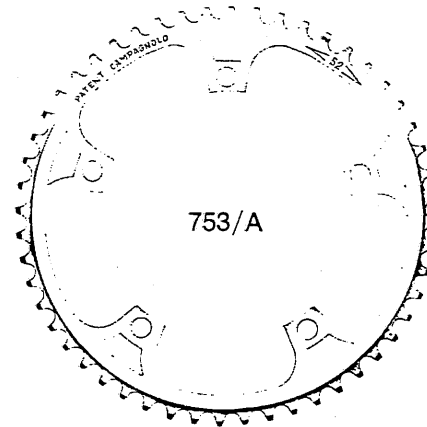
756



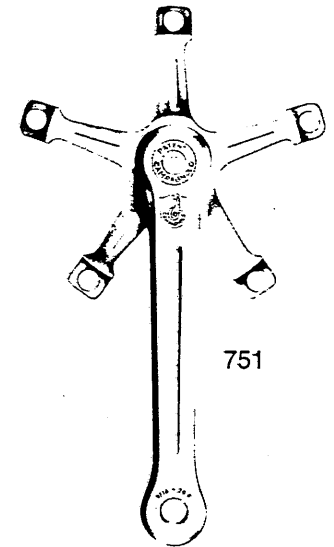
753

For sizes and details of bottom bracket sets, see pages 30-33.

ROAD



753/A

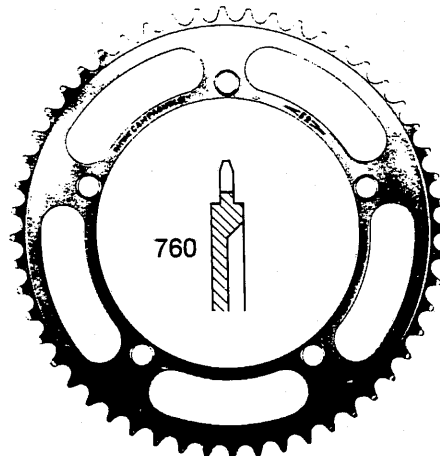


751

761 762

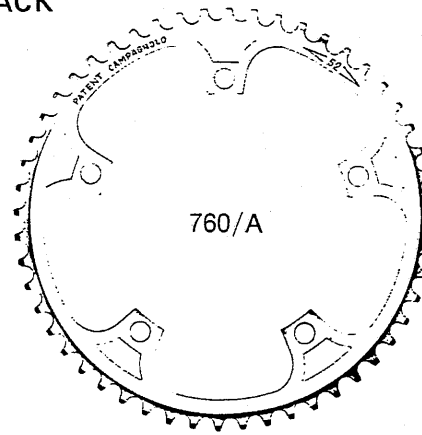
756

758



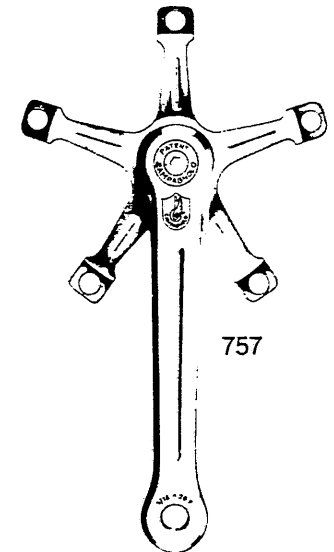
760

TRACK



760/A

**IMPORTANT:**  
When ordering spare Road chainrings, specify if they are to be fitted on crank spider for chainrings with 42 teeth and up or from 44 teeth and up.



757

- 751 Road R.H. crank w/cover 756 (R)
- 752 Road L.H. crank w/cover 756 (R)
- 753 Road chainring (R)
- 753/a Road chainring (SR)
- 754 Road chainwheel fastening screw
- 755 Road chainwheel fastening nut
- 756 Crank cover plate (All)

- 757 Track R.H. crank w/cover 756
- 758 Track L.H. crank w/cover 756
- 760 Track chainring (R)
- 760/a Track chainring (SR)
- 761 Track chainwheel fastening screw
- 762 Track chainwheel fastening nut
- 801 Spacer for single road chainring

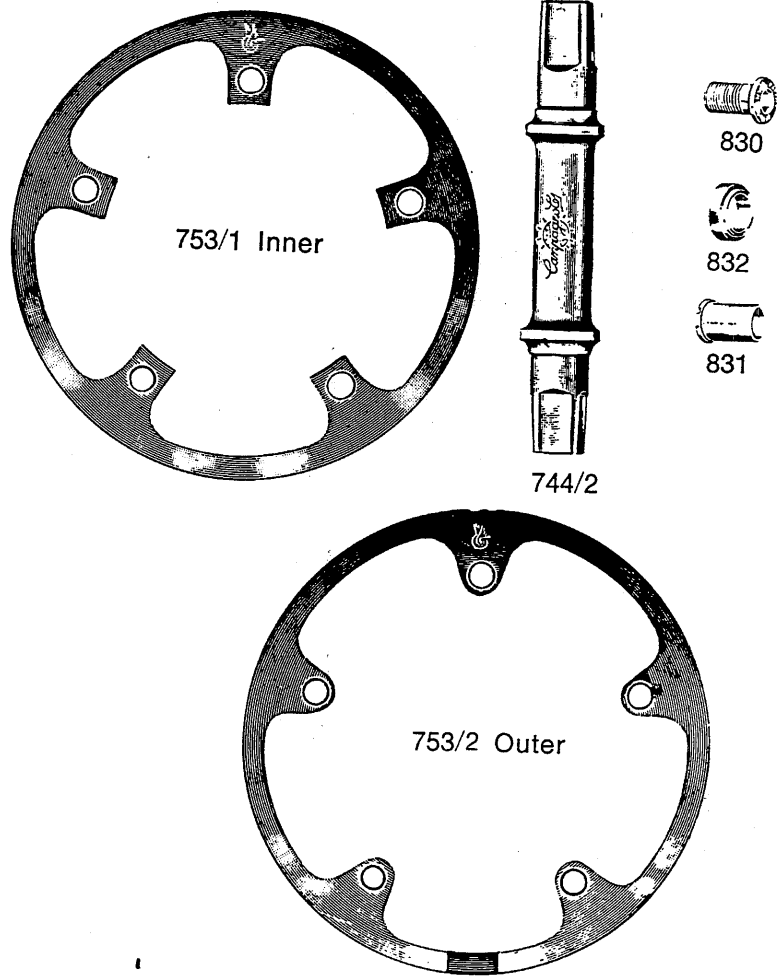
CRANK LENGTHS: 165, 167.5, 170, 172.5, 175, 177.5, 180 mm

ROAD CHAINRINGS: FOR 1/2" x 3/32" CHAIN - FROM 42 TO 57 TEETH

TRACK CHAINRINGS: FOR 1" x 1/8" (OR 3/16") CHAIN - FROM 22 TO 35 TEETH  
FOR 1/2" x 1/8" CHAIN - FROM 44 TO 70 TEETH

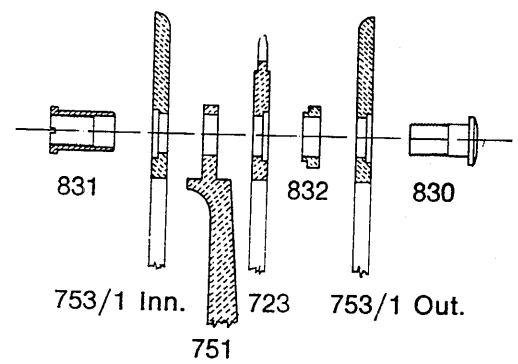
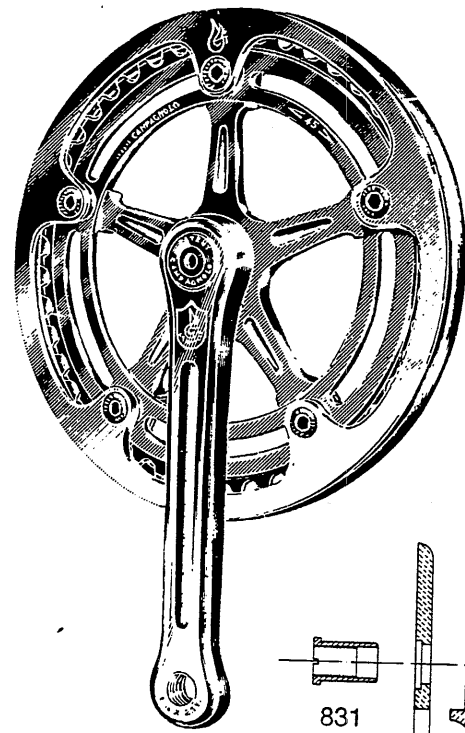
CAMPAGNOLO ROAD SPECIAL CHAINWHEEL  
SPARE PARTS

SPARE PARTS



- 744/2 Cyclocross cotterless spindle (Specs on page 33)
- 751 Road R.H. crank w/cover 756 (R)
- 753 Road chainring for 1/2" x 3/32" (2 mm) chain - 42 to 57 teeth (R)
- 753/1 Cyclocross inner flange
- 753/2 Cyclocross outer flange
- 830 Triple chainring fixing bolt
- 831 Nut for bolt 830
- 832 Triple chainring spacer

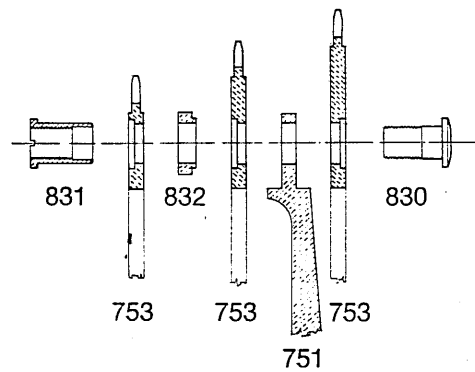
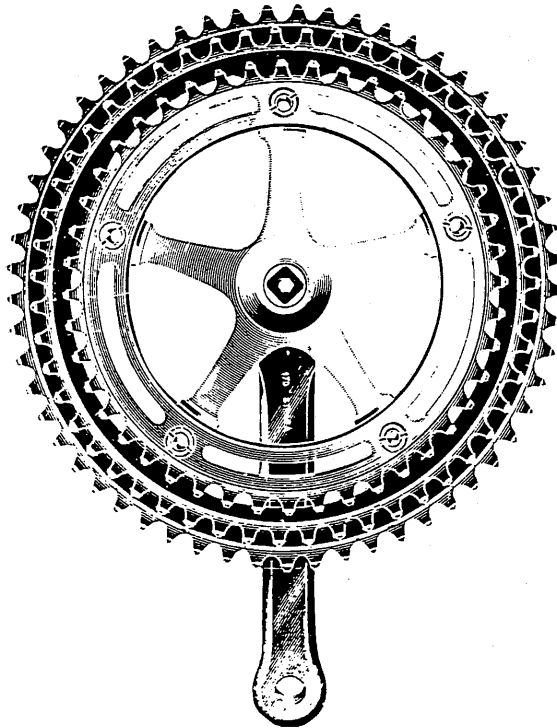
CAMPAGNOLO CYCLOCROSS RIGHT HAND CRANK  
WITH PROTECTIVE FLANGES





# CAMPAGNOLO TRIPLE CRANKSET CONVERSIONS

## STANDARD TRIPLE CONVERSION



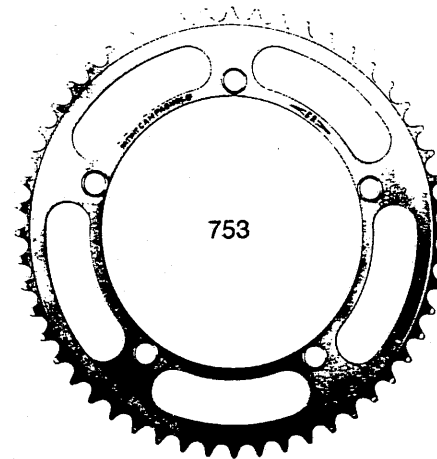
## SPECIAL TRIPLE CONVERSION



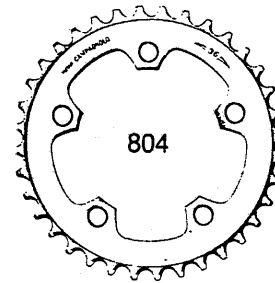
752



756



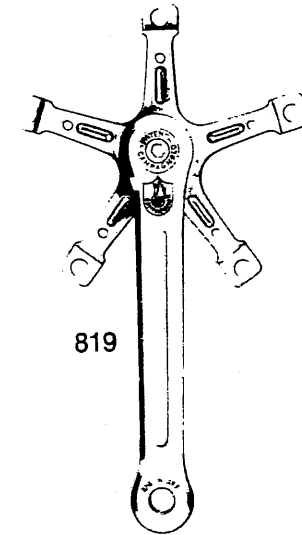
753



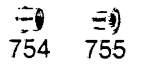
804



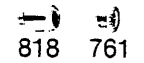
744/1



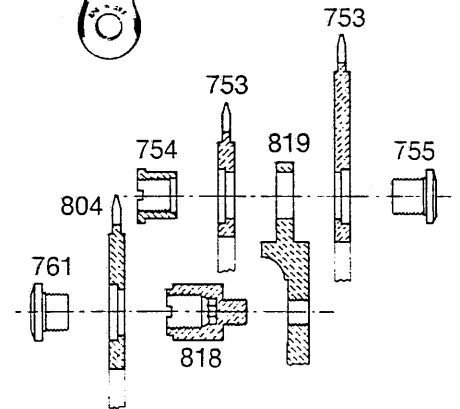
819



754 755



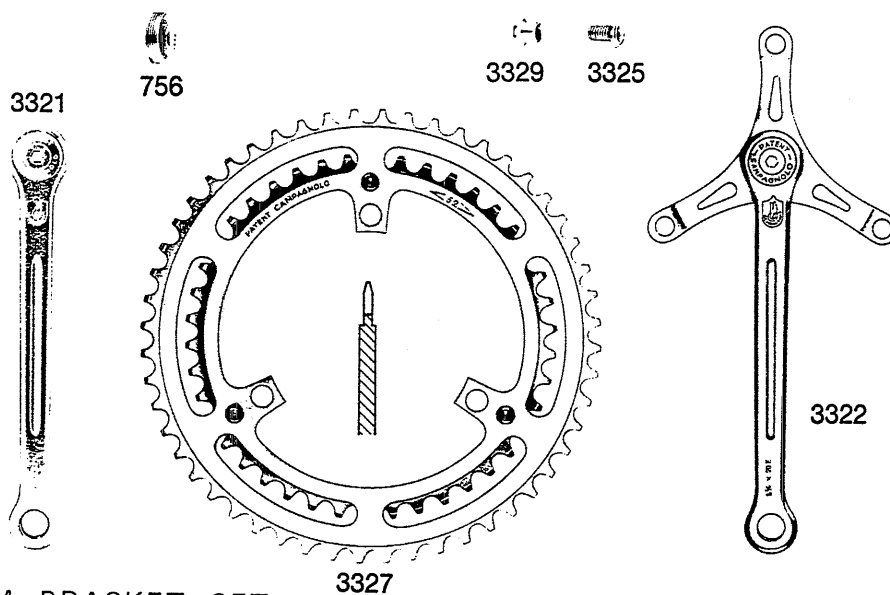
818 761



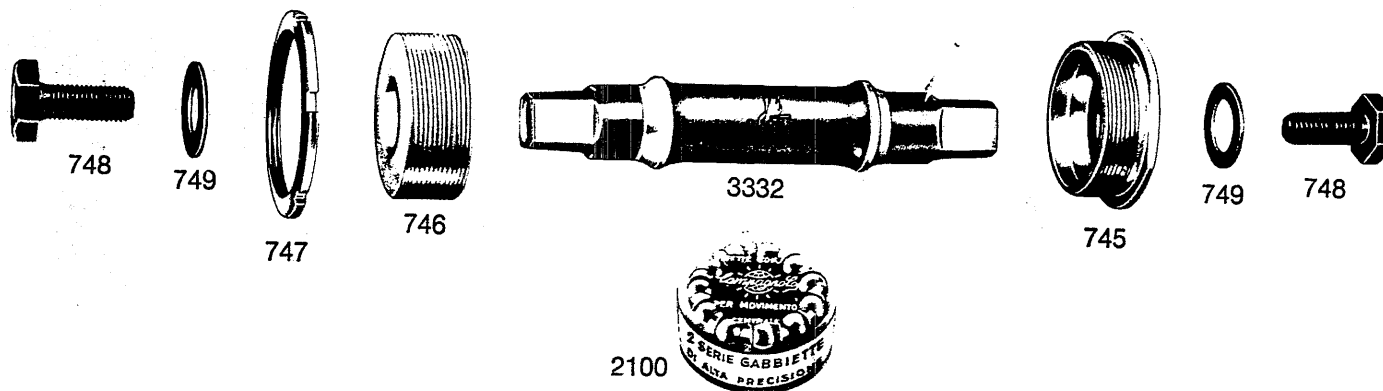
- 744/1 Triple cotterless spindle - see specs page 33
- 751 Road R.H. crank w/cover 756 (R)
- 752 Road L.H. crank w/cover 756 (R)  
(Use 170 mm for 1049/5 ONLY)
- 753 Road chainring for 1/2" x 3/32" (2 mm)  
chain - 42 to 57 teeth (R)
- 754 Road chainwheel fastening screw
- 755 Road chainwheel fastening nut
- 756 Crank cover plate (All)

- 761 Track chainwheel fastening screw
- 804 36-Tooth chainring for special triple  
conversion
- 818 Chainwheel spacer (to fit 804 to 819)
- 819 R.H. crank (to fit 36-tooth chainring 804)  
(Available in 170 mm ONLY)
- 830 Triple chainring fixing bolt
- 831 Nut for bolt 830
- 832 Triple chainring spacer

- 3320 CAMPAGNOLO SPORT ROAD CRANKSET WITHOUT BOTTOM BRACKET  
 3330 CAMPAGNOLO SPORT ROAD CRANKSET WITH BOTTOM BRACKET



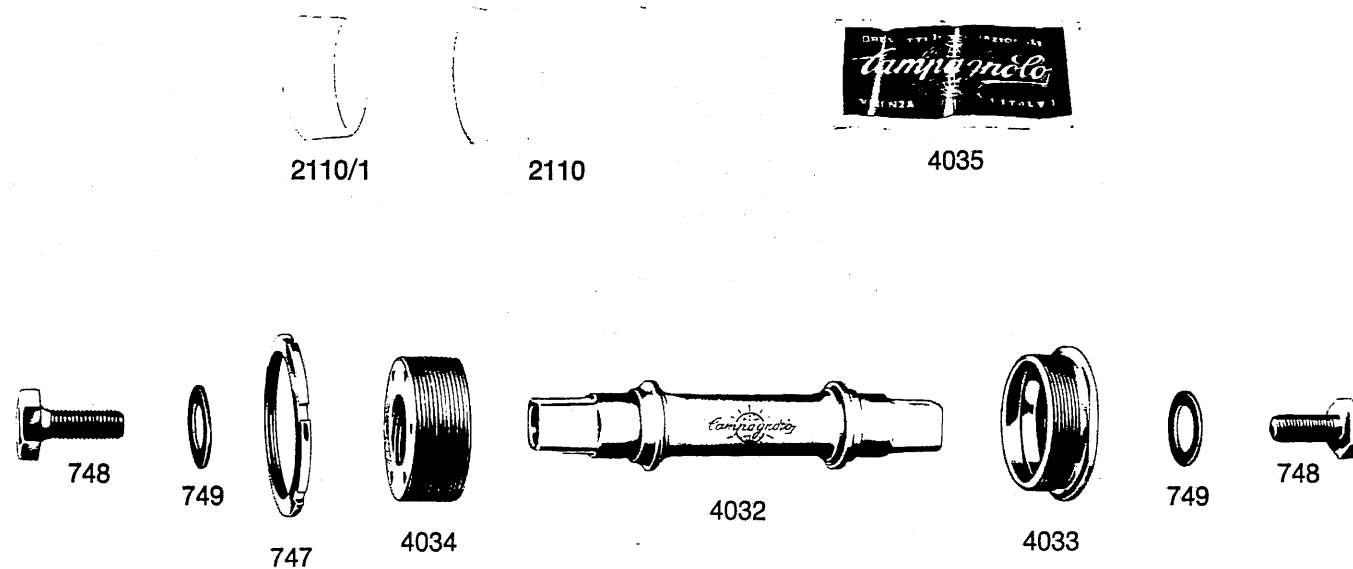
- 3331 CAMPAGNOLO SPORT BOTTOM BRACKET SET



BOTTOM BRACKET SETS AVAILABLE IN 68-SS-120 AND 70-SS-120 ONLY (OTHER SPECS ON PAGE 33)

- |      |  |      |  |
|------|--|------|--|
| 745  | Fixed bottom bracket cup (R, S) (Specs: Threads—Eng., Fr., or Ital.)   | 3321 | Sport L.H. crank w/cover 756 (170 mm ONLY)   |
| 746  | Adjustable bottom bracket cup (R, S) (Specs: Threads—Eng., Fr., or Ital.)                                      | 3322 | Sport R.H. crank w/cover 756 (170 mm ONLY)   |
| 747  | Bottom bracket locking ring (All) (Specs: Threads—Eng., Fr., or Ital.)   | 3325 | Sport chainring fixing bolt  |
| 748  | Spindle end bolt (All)   | 3327 | Sport road double chainring set (Specs: Teeth combinations—42/49, 42/50, 42/51, 42/52, 42/53, 43/52) |
| 749  | Spindle end washer (All)   | 3329 | Sport chainring nut for 3325   |
| 756  | Crank cover plate (All)  | 3330 | Sport road crankset w/bottom bracket (Specs: See 3320 above and page 33)                             |
| 2100 | Bearings for bottom bracket set (R)  | 3332 | Bottom bracket road spindle (S) (Specs: See page 33)   |
| 3320 | Sport road crankset w/o bottom bracket (Specs: Teeth combinations—42/49, 42/50, 42/51, 42/52, 42/53 and 43/52) |      |  |

4031 CAMPAGNOLO SUPER RECORD ROAD BOTTOM BRACKET SET



AVAILABLE IN SPINDLE SIZES 68-SS-120 AND 70-SS-120 ONLY (OTHER SPECS ON PAGE 33)

4131 CAMPAGNOLO SUPER RECORD TRACK BOTTOM BRACKET SET

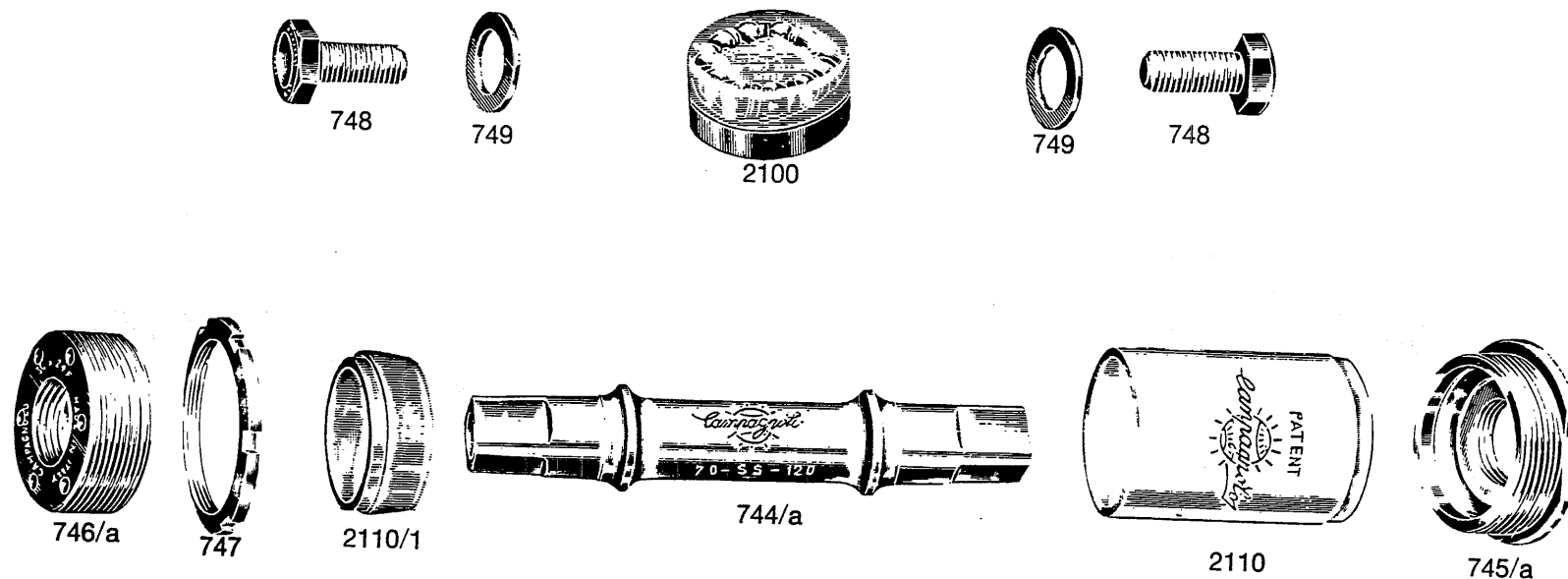


AVAILABLE IN ALL TRACK SPINDLE SIZES (OTHER SPECS ON PAGE 33)

- 747 Bottom bracket lockring (All) (Specs: Threads—Eng., Fr., or Ital.)
- 748 Spindle end bolt (All)
- 749 Spindle end washer (All)
- 2110 Plastic bottom bracket protector (SR, NR)
- 2110/1 Plastic bottom bracket protector end cone for 2110 (SR, NR)
- 4032 Titanium road spindle (SR) (Specs: 68-SS-120 or 70-SS-120 ONLY; Other specs on page 33)

- 4033 Road bottom bracket fixed cup (SR) (Specs: Threads—Eng., Fr., or Ital.)
- 4034 Road bottom bracket adjustable cup (SR) (Specs: Threads—Eng., Fr., or Ital.) (Swiss cup available on special order only)
- 4035 Bearings for Super Record bottom bracket set
- 4132 Titanium track spindle (SR) (Specs: See page 33)
- 4133 Track bottom bracket fixed cup (SR) (Specs: Threads—Eng., Fr., or Ital.)
- 4134 Track bottom bracket adjustable cup (SR) (Specs: Threads—Eng., Fr., or Ital.)

1046/A CAMPAGNOLO NUOVO RECORD BOTTOM BRACKET SET PARTS



1046/a AND 744/a AVAILABLE IN 68-SS-120 AND 70-SS-120 ONLY (OTHER SPECS ON PAGE 33)

**CUPS WITH A 0,5 mm. INCREASED THREAD AVAILABLE**

Details of the bracket serial number (ex. 68-SS-120)

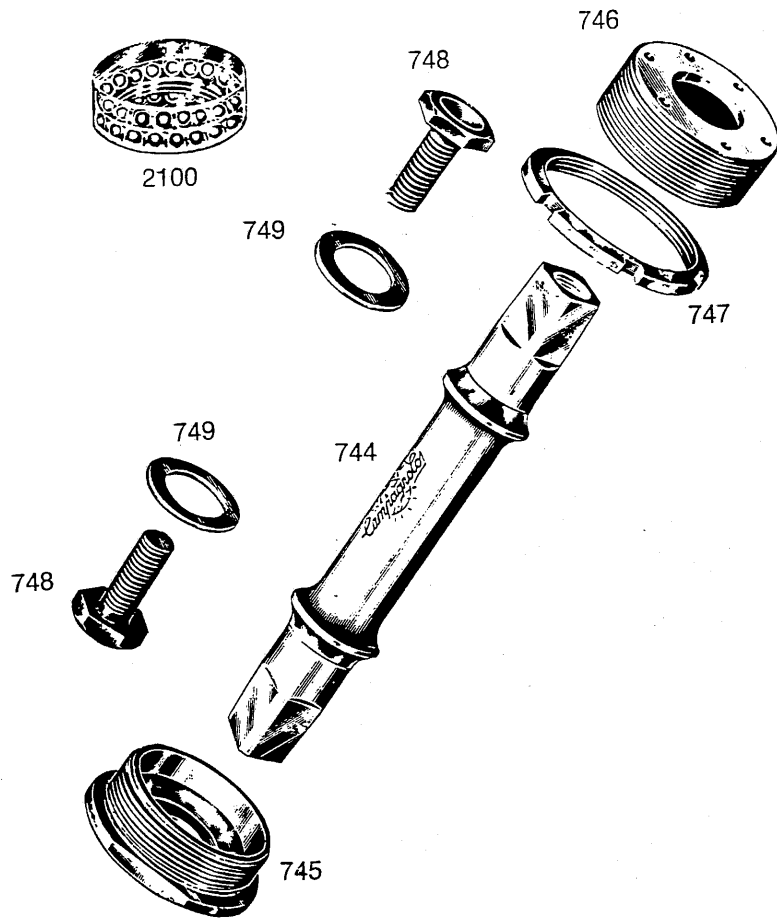
- the number (68) indicates the width
- (SS) indicate road
- the number (120) indicates the suggested width of the rear hub for a perfect chain line (see pages 51-53)

**BRACKET SETS ORDERED WITHOUT SPECIFICATION WILL BE SUPPLIED AS FOLLOWS:**

- 68-SS-120 axle
- cups thread  $\varnothing$  1.370" X 24 F.

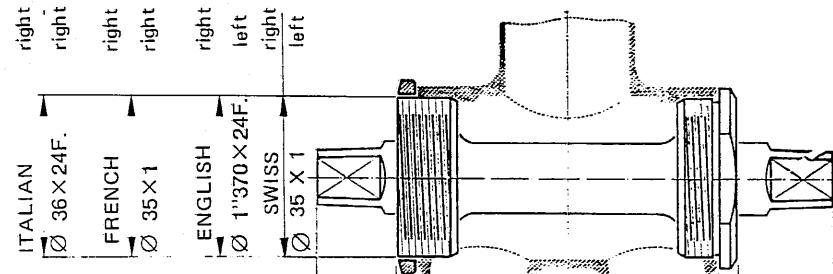
- 744 a Cotterless road spindle
  - 745 a Fixed cup\*
  - 746 a Adjustable cup
  - 747 Lockring 3.5 mm. standard size  
(available also in 4 and 4.5 mm.)
  - 748 Fixing screw
  - 749 Fixing washer
  - 2100 Bottom bracket special ball races
  - 2110 Record sleeve
  - 2110 1 Cone for Record sleeve
- \* Swiss cup available on special order only

1046 CAMPAGNOLO BOTTOM BRACKET SET SPECIFICATIONS



- 744 Coterless road spindle
- 745 Fixed cup \*
- 746 Adjustable cup
- 747 Lockring 3,5 mm. standard size  
(available also in 4 and 4,5 mm.)
- 748 Fixing screw
- 749 Fixing washer
- 2100 Bottom bracket special ball races

\* Swiss cup available on special order only



	SPINDLE SPECIFICATIONS		BOTTOM BRACKET WIDTH				SPINDLE LENGTH
SUPER RECORD AND RECORD TRACK	65-P-110	16	3,5	65	3,5	16	mm. 104
	68-P-110	14,5	3,5	68	3,5	15,5	» 105
	68-P-120	17	3,5	68	3,5	17	» 109
	70-P-120	16	3,5	70	3,5	16	» 109
RECORD ROAD	68-SS-120	17	3,5	68	3,5	20	mm. 112
	70-SS-120	17	3,5	70	3,5	19	» 113
	74-SS-120	17	3,5	74	3,5	19	» 117
TRIPLE	68-SS-120×3	17	3,5	68	3,5	25	mm. 117
	70-SS-120×3	17	3,5	70	3,5	24	» 118
CYCLOCROSS	68-C-120	17	3,5	68	3,5	23,5	mm. 115,5
	70-C-120	16	3,5	70	3,5	22,5	» 115,5
SPORT ROAD	68-SS-120	17	3,5	68	3,5	20	mm. 112
	70-SS-120	17	3,5	70	3,5	19	» 113

**CUPS WITH A 0,5 mm. INCREASED THREAD AVAILABLE**

Details of the bracket serial number (ex.: 65-P-110)

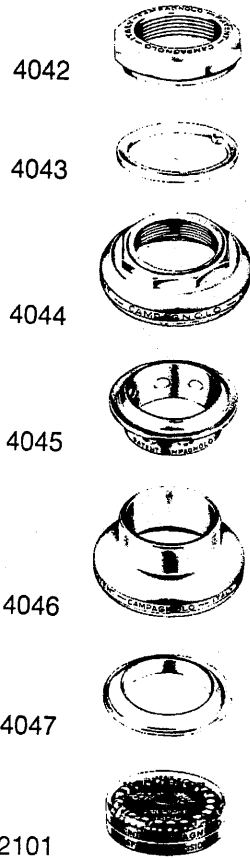
- The number (65) indicates the bracket width
- (P) indicates track
- (SS) indicate road
- The number (110) indicates the suggested width of the rear hub for a perfect chain-line (see pages 51-53)

**BRACKET SETS ORDERED WITHOUT SPECIFICATION WILL BE SUPPLIED AS FOLLOWS:**

- Spindle — 68-SS-120 (or 68-P-120, 68-C-120)
- Thread — 1.370 x 24 F.

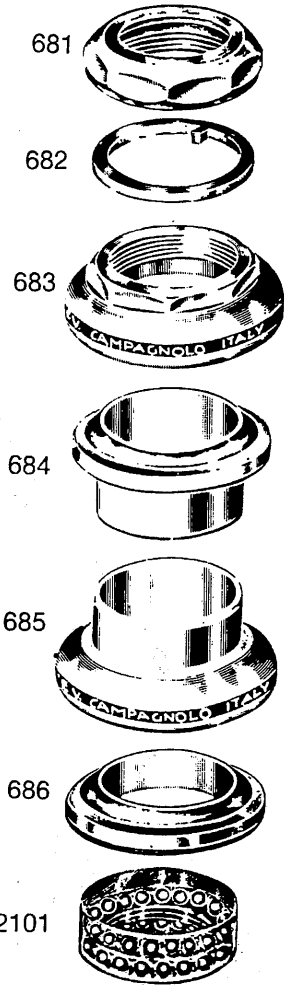
# CAMPAGNOLO HEADSETS

## 4041 SUPER RECORD ROAD



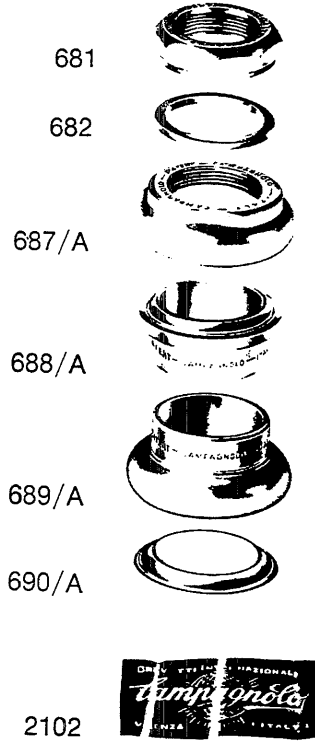
- 4042 Lockring nut
- 4043 Lockring washer
- 4044 Screwed race
- 4045 Top head race (0.5 mm larger gauge available)
- 4046 Bottom head race (0.5 mm. larger gauge available)
- 4047 Crown race (smaller diameter available)
- 2101 Track screwed race
- 2101 Sport screwed race
- 2101 Top head race (0.5 mm larger gauge available)

## 1039 RECORD ROAD



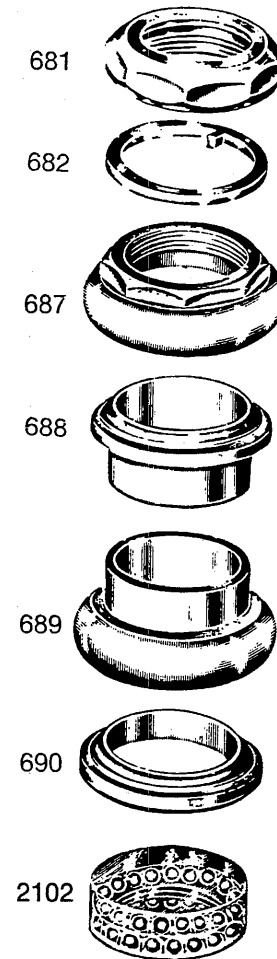
- 681 Lockring nut
- 682 Lockring washer
- 683 Screwed race
- 684 Top head race (0.5 mm larger gauge available)
- 685 Bottom head race (0.5 mm. larger gauge available)
- 686 Crown race (smaller diameter available)
- 687 Track screwed race
- 687/a Sport screwed race
- 688 Top head race (0.5 mm larger gauge available)

## 1040/a SPORT ROAD



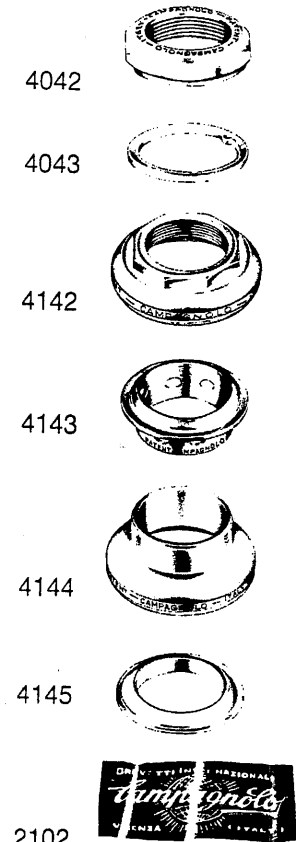
- 681 Lockring nut
- 682 Lockring washer
- 687/A Screwed race
- 688/A Top head race (S) (0.5 mm larger gauge available)
- 689/A Bottom head race (S) (0.5 mm larger gauge available)
- 690/A Crown race (smaller diameter available)
- 2102 Crown race (S) (smaller diameter available)
- 2102 Steerer
- 2101 Bearing set for road headset
- 2102 Bearing set for track headset
- 4042 Top (track or road) headset locknut (SR)

## 1040 RECORD TRACK



- 681 Lockring nut
- 682 Lockring washer
- 687 Screwed race
- 688 Top head race (S) (0.5 mm larger gauge available)
- 689 Bottom head race (S) (0.5 mm larger gauge available)
- 690 Crown race (smaller diameter available)
- 2102 Crown race (S) (smaller diameter available)
- 2102 Steerer
- 4043 Top (track or road) headset tongued-washer (SR)
- 4044 Road headset screwed race (SR)
- 4045 Road headset top race (SR)
- 4046 Road headset bottom race (SR)
- 4047 Road headset crown race (SR)
- 4142 Track headset screwed race (SR)
- 4143 Track headset top race (SR)
- 4144 Track headset bottom race (SR)
- 4145 Track headset crown race (SR)

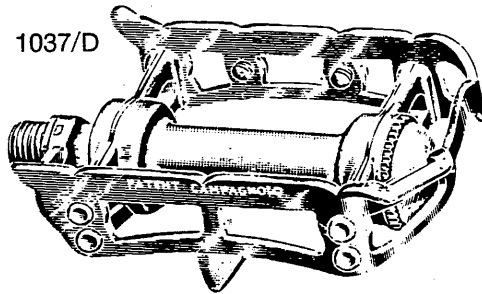
## 4141 SUPER RECORD TRACK



- 4042 Lockring nut
- 4043 Lockring washer
- 4044 Screwed race
- 4142 Top head race (S) (0.5 mm larger gauge available)
- 4143 Bottom head race (S) (0.5 mm. larger gauge available)
- 4144 Crown race (smaller diameter available)
- 4145 Track screwed race
- 2102 Sport screwed race
- 2102 Top head race (0.5 mm larger gauge available)

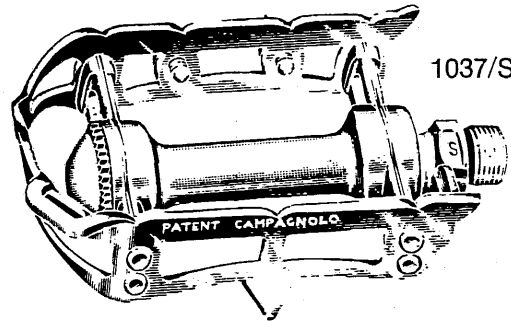
HEADSETS ORDERED WITHOUT SPECIFICATION WILL BE SUPPLIED WITH  $\varnothing$  1" x 24 T.P.I. THREAD  
 HEADSETS WITH  $\varnothing$  25 x 1 AND  $\varnothing$  25.4 x 24 F. THREADS AVAILABLE  
 CAMPAGNOLO HEADSETS ARE SUPPLIED COMPLETE WITH SPECIAL BALL RACES ( $\varnothing$  3/16" FOR ROAD AND  $\varnothing$  5/32" FOR TRACK)  
 STEERER AVAILABLE WITH THREAD  $\varnothing$  25.4 x 24 F. AND WITH LENGTHS 160-180-200-220-250-270 mm.

1037 ROAD TYPE



1037/D

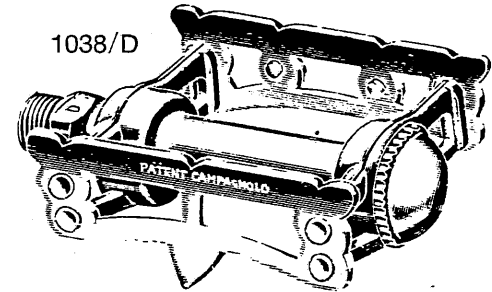
1037/D Road right hand pedal



1037/S

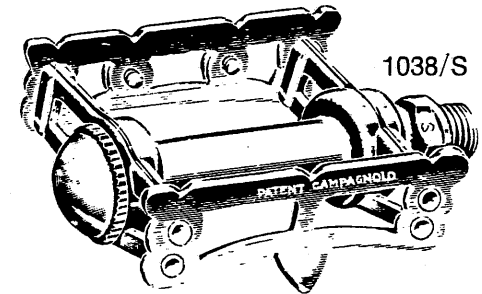
1037/S Road left hand pedal

1038 TRACK TYPE



1038/D

1038/D Track right hand pedal

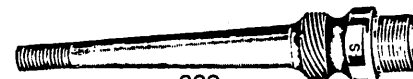


1038/S

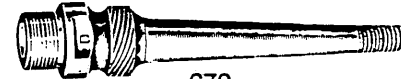
1038/S Track left hand pedal

S P A R E P A R T S

- \* 669 Left hand pedal axle
- \* 670 Right hand pedal axle
- 672 Inserted race
- 673 Pedal axle washer
- 674 Pedal axle cone
- 675 Pedal axle lock nut
- 676 Toe clip bolt
- 677 Toe clip washer
- 678 Inner dust cap
- 679 Pedal dust cap
- 2103 Pedal special ball races



669



670



672



673



674



675



676



677



678



679

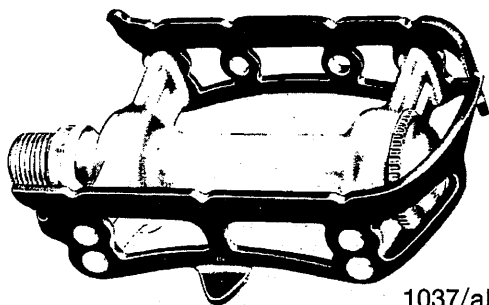


2103

\*UNLESS OTHERWISE REQUESTED, PEDALS WILL BE SUPPLIED WITH  $\varnothing$  9/16" X 20F. SPINDLE  
 PEDALS WITH  $\varnothing$  14 X 1.25 (FRENCH) THREAD SPINDLES AVAILABLE

# CAMPAGNOLO RECORD EXTRA LIGHT PEDALS

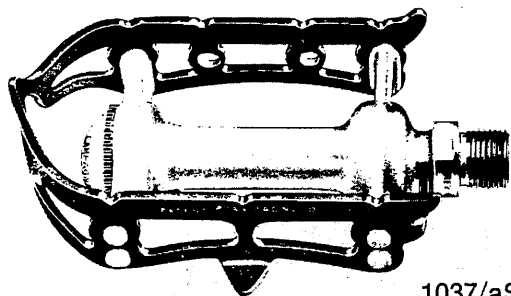
1037/a Road type



1037/aD

1037/aD Extra light road right hand pedal

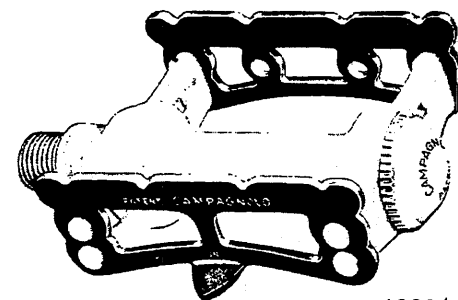
1037/aS Extra light road left hand pedal



1037/aS



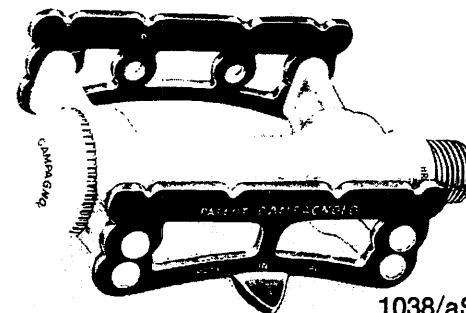
1038/a Track type



1038/aD

1038/aD Extra light track right hand pedal

1038/aS Extra light track left hand pedal



1038/aS

## SUPER RECORD PEDAL PARTS



672



673



674



675



677



678



679/A

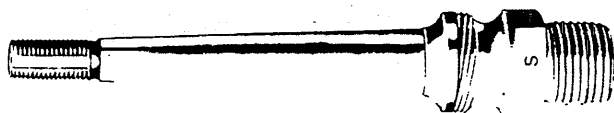


89



2103

4024



4025



4024

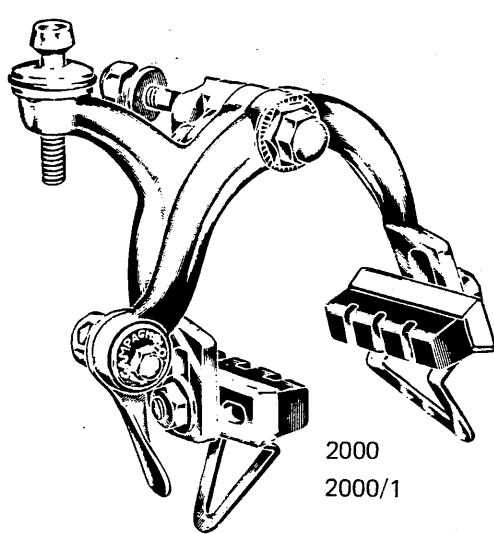
- 89 Toe clip bolt
- 672 Inserted pedal race (All)
- 673 Pedal axle tongued washer (All)
- 674 Pedal axle cone (All)

- 675 Pedal axle lock nut (All)
- 677 Washer for 676, 124, 89
- 678 Inner dust cap (All Pedals)
- 679/A Pedal dust cap (SR, SL)

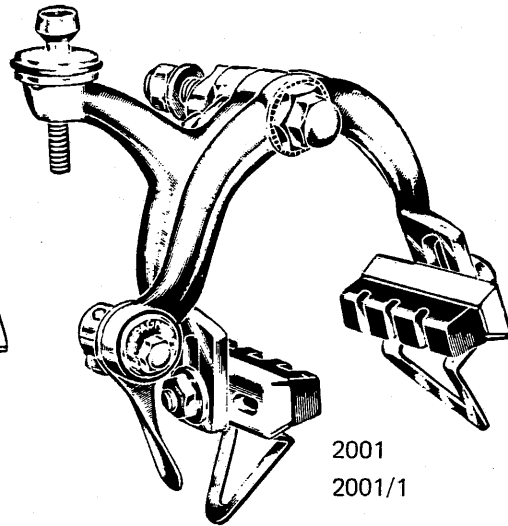
- 2103 Pedal bearings
- 4024 R.H. titanium pedal shaft (SR)
- 4025 L.H. titanium pedal shaft (SR)



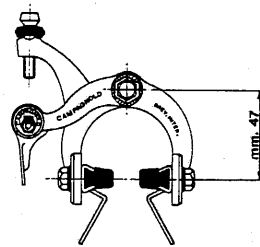
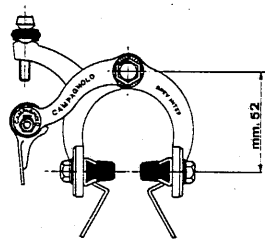
2040 CAMPAGNOLO BRAKES AND CONTROL LEVERS  
 2040/1 CAMPAGNOLO SHORT-REACH BRAKES AND CONTROL LEVERS  
 4061 CAMPAGNOLO SUPER RECORD BRAKES AND CONTROL LEVERS  
 4061/1 CAMPAGNOLO SUPER RECORD SHORT-REACH BRAKES AND CONTROL LEVERS



2000  
2000/1

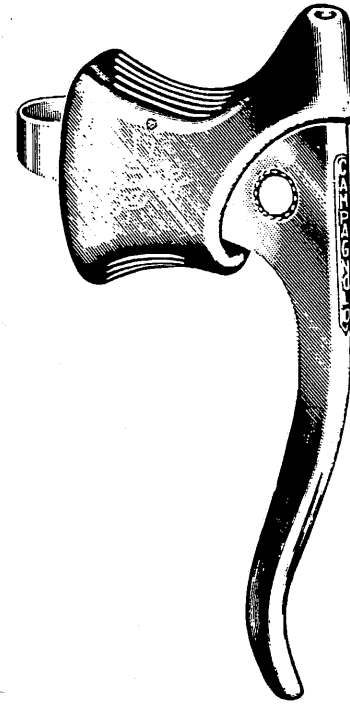


2001  
2001/1

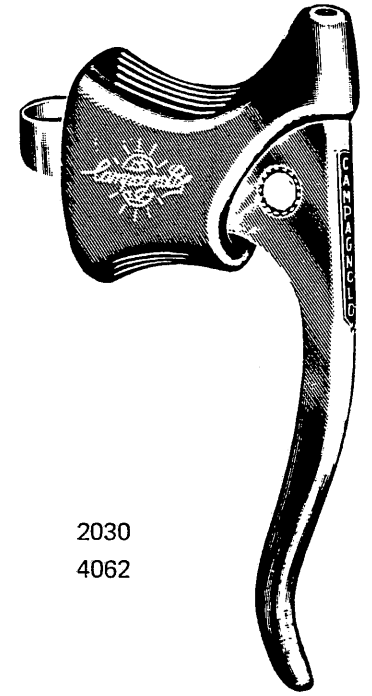


2000 Front caliper  
2000/1 Front caliper (short-reach)

2001 Rear caliper  
2001/1 Rear caliper (short-reach)



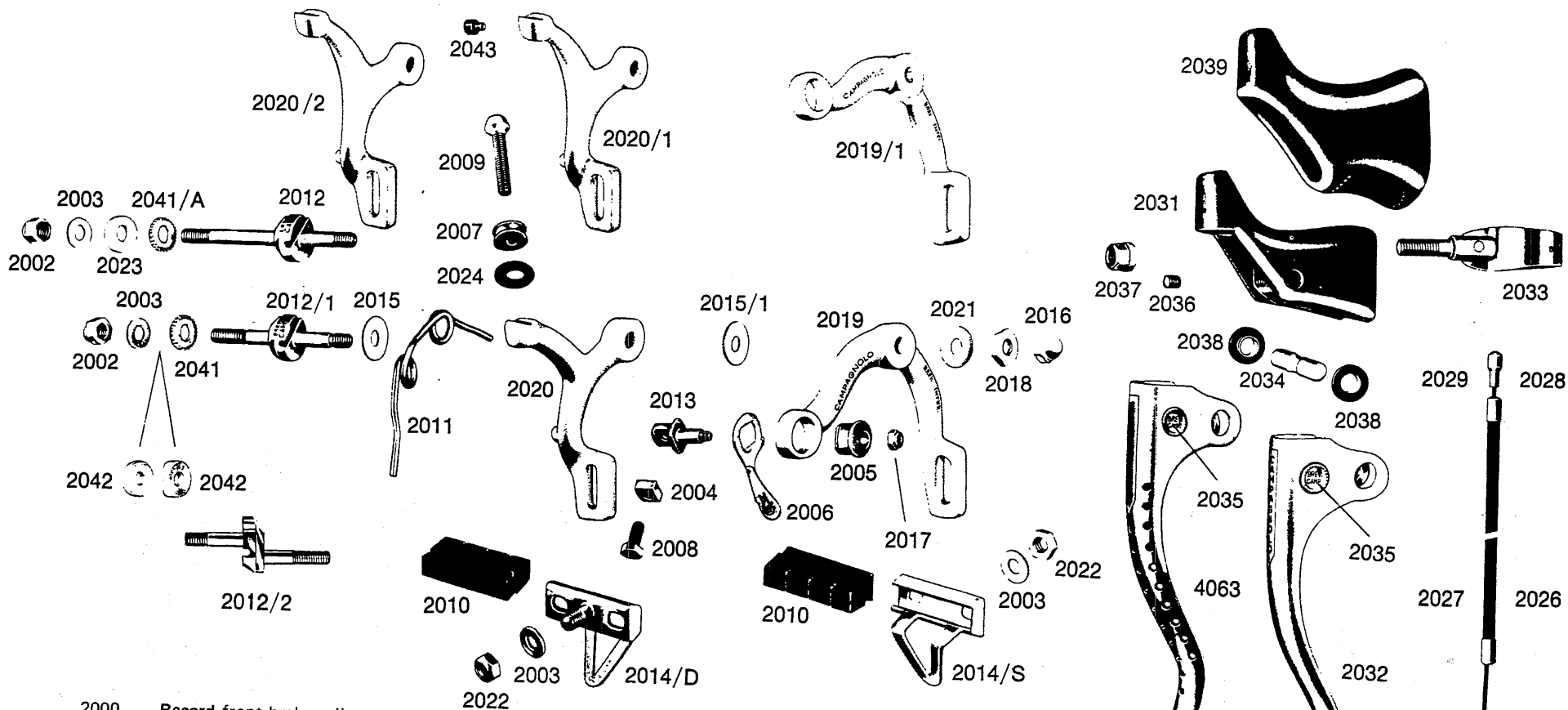
2030  
4062



2030 Brake quick release lever  
4062 Super Record "drilled" lever (see page 38)

IF REQUESTED, OUTER CASINGS AND CABLES ARE FURNISHED, INCREASED BY 6 cm (SEE NORMAL MEASURES ON PAGE 38)

# CAMPAGNOLO RECORD BRAKES AND CONTROL SYSTEM SPARE PARTS



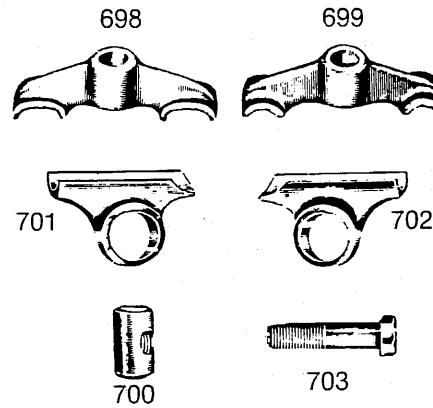
- 2000 Record front brake caliper
- 2000/1 Record front brake caliper (short-reach)
- 2001 Record rear brake caliper
- 2001/1 Record rear brake caliper (short-reach)
- 2002 Center bolt fixing nut
- 2003 Washer
- 2004 Clamp bolt washer
- 2005 Cam
- 2006 Quick release cam lever
- 2007 Adjusting nut
- 2008 Cable clamp bolt
- 2009 Adjusting screw
- 2010 Brake block
- 2011 Tension spring
- 2012 Front brake center bolt
- 2012/1 Rear brake center bolt
- 2012/2 Rear brake center bolt (6mm offset)
- 2013 Cable clamp
- 2014/D R.H. block holder

- 2014/S L.H. block holder
- 2015 Friction washer
- 2015/1 Washer to go between brake stirrup
- 2016 Domed nut
- 2017 Cam locking nut
- 2018 Locking nut
- 2019 R.H. stirrup
- 2019/1 R.H. caliper stirrup (short-reach)
- 2020 L.H. stirrup
- 2020/1 L.H. front caliper stirrup (short-reach)
- 2020/2 L.H. rear caliper stirrup (short-reach)
- 2021 Serrated washer
- 2022 Brake shoe nut
- 2023 Concave washer (front caliper)
- 2024 Adjusting rubber
- 2025 Special brake spanner (see page 49 tools)
- 2026 Front brake outer cable (56 cm)
- 2027 Rear brake outer cable (114 cm)
- 2028 Front inner cable (68 cm)

- 2029 Rear inner cable (126 cm)
- 2031 Lever hood
- 2032 Lever
- 2033 Brake lever clip
- 2034 Lever pivot pin
- 2035 Cable nipple holder
- 2036 Grub screw
- 2037 Clamp nut
- 2038 Lever bush
- 2039 Rubber lever hood
- 2041 Toothed washer
- 2041/A Front toothed washer for mounting caliper
- 2042 Concave washer for mounting rear caliper
- 2043 Rubber stop for short-reach caliper
- 4063 Super Record "drilled" lever

1044 FOR WIDE CRADLE SADDLES  
WITH SHORT ADJUSTMENT

SPARE PARTS

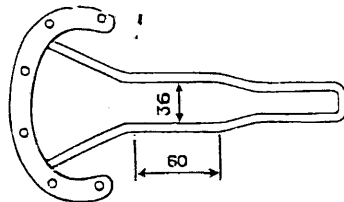


- 698 Front bracket
- 699 Rear bracket
- 700 Bolt nut
- 701 Left hand side support
- 702 Right hand side support
- 703 Fixing and adjusting bolt

WHEN ORDERING PLEASE SPECIFY:

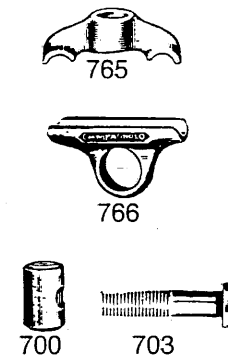
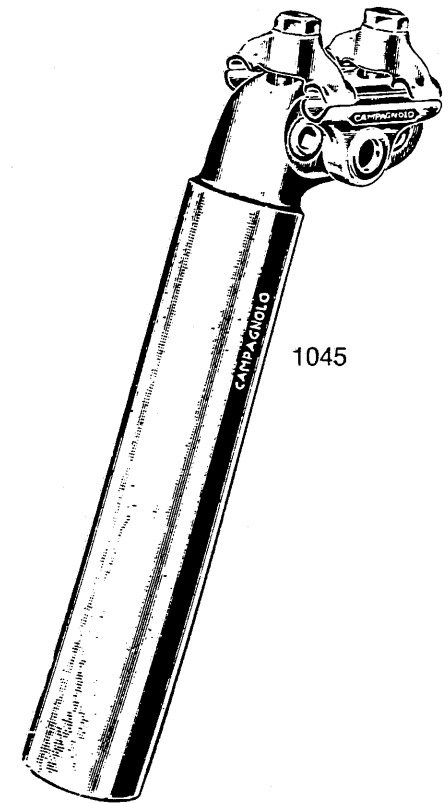
— PIN DIAMETER AS PER ONE OF THE GIVEN SIZES: 25 - 25.8 - 26 - 26.2 - 26.4 - 26.6 - 26.8 - 27 - 27.2 - 27.4.

— LENGTH OF THE PIN - STANDARD (180 mm) - SHORT (130 mm)

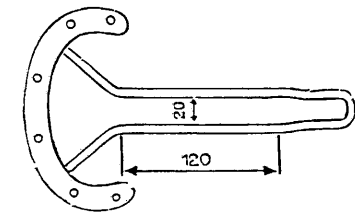


1045 FOR NARROW CRADLE SADDLES  
WITH LONG ADJUSTMENT

SPARE PARTS

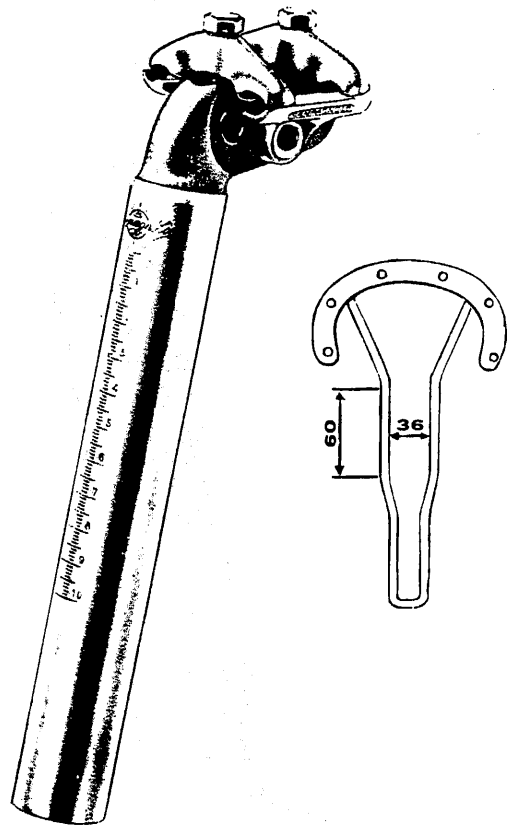


- 700 Bolt nut
- 703 Fixing and adjusting bolt
- 765 Front and rear clamp
- 766 Right and left hand support



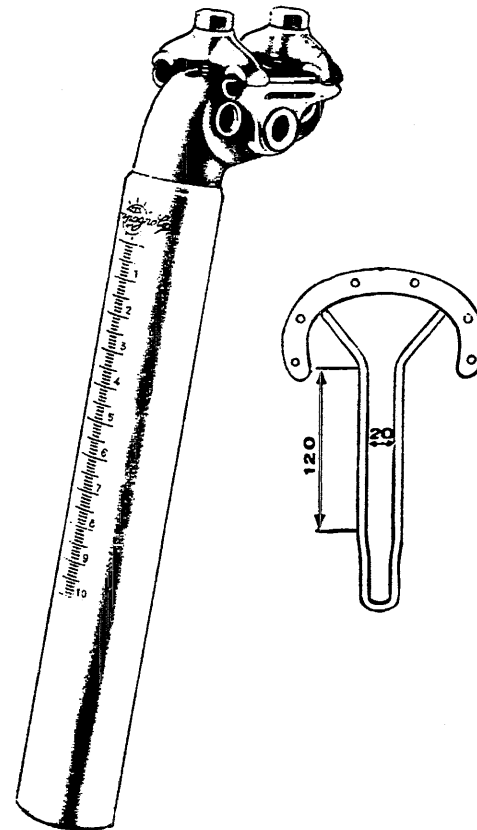
# CAMPAGNOLO SEAT PINS AND PARTS

SUPERLIGHT **CAMPAGNOLO** RECORD SEAT PIN  
FOR WIDE CRADLE SADDLES



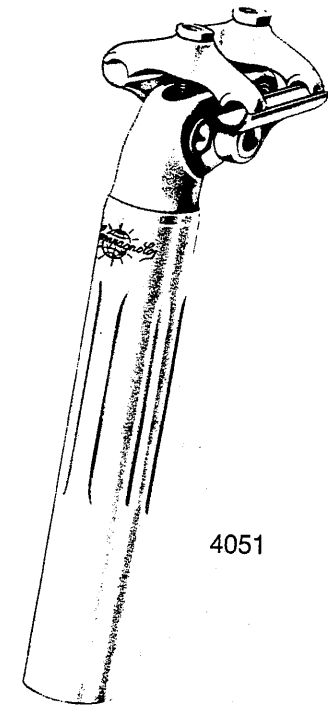
1044/a

SUPERLIGHT **CAMPAGNOLO** RECORD SEAT PIN  
FOR NARROW CRADLE SADDLES



1045/a

**CAMPAGNOLO** SUPER RECORD SEAT PIN  
(AVAILABLE IN WIDE CRADLE ONLY)



4051

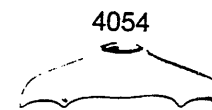
- 1044 a Superlight Campagnolo RECORD seat pin for wide cradle saddles with short adjustment  
1045 a Superlight Campagnolo RECORD seat pin for narrow cradle saddles with long adjustment

When ordering please specify:  
— pin diameter as per one of the given sizes:  
25 - 25.8 - 26 - 26.2 - 26.4 - 26.6 - 26.8 - 27 - 27.2 - 27.4  
— length of the pin: standard (130 mm) - long (180 mm)

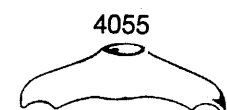
- 4052 L.H. seat support for 4051 (SR)  
4053 R.H. seat support for 4051 (SR)  
4054 Rear bracket for 4051 (SR)  
4055 Front bracket for 4051 (SR)  
4056 Fixing and adjusting bolt for 4051 (SR)  
4057 Nut for 4056 (SR)

NOTE: 4051 available in 147mm length only.

## SUPER RECORD SEAT PIN PARTS



4054



4055



4056



4052

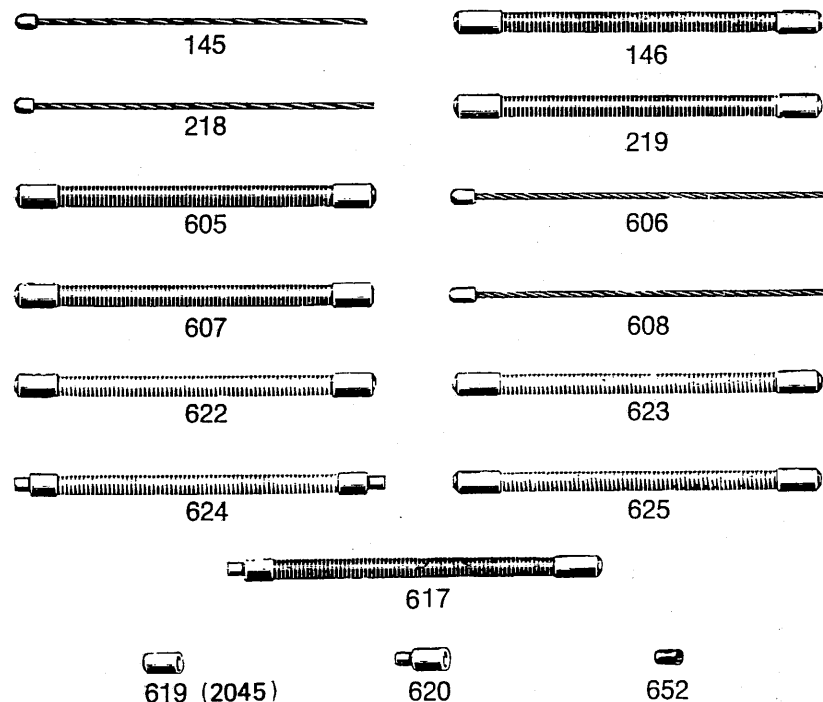


4053



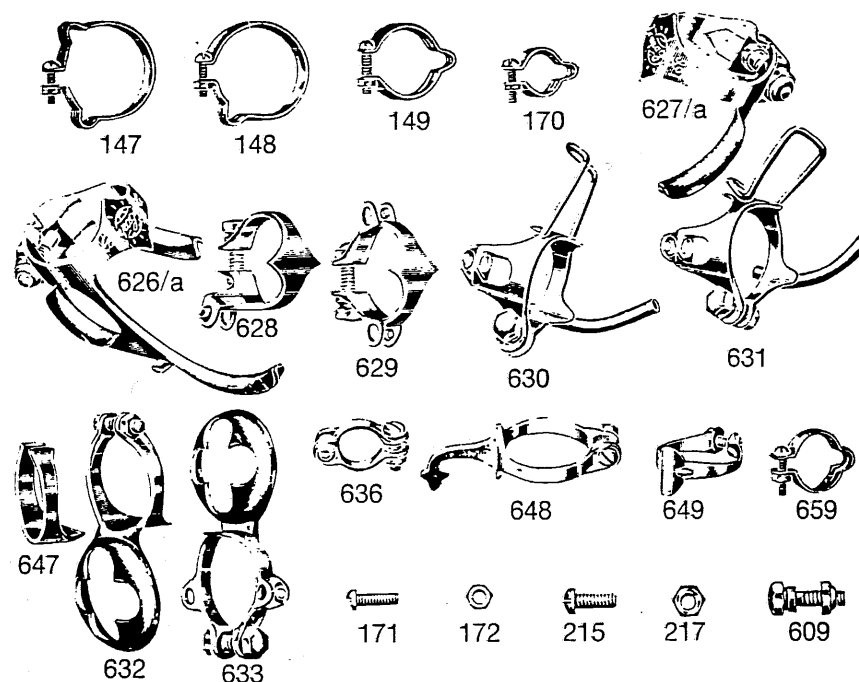
4057

## CAMPAGNOLO OUTER AND INNER CABLES



- 145 Rear derailleur cable to handlebar control (197 cm.)
- 146 Rear derailleur outer casing to handlebar control (185 cm.)
- 218 Front changer cable to handlebar control (150 cm.)
- 219 Front changer outer casing to handlebar control (140 cm.)
- 605 Gear outer casing (105 cm.)
- 606 Gear cable to frame control (118 cm.)
- 607 Down tube front outer casing (59 cm.)
- 608 Front changer cable to frame control (70 cm.)
- 617 Stainless cable casing to fit 621 (21 cm)
- 619 Outer casing ferrule
- 620 Spindled ferrule
- 622 Rear derailleur steel outer casing (21 cm.)
- 623 Front changer steel outer casing (15.5 cm.)
- 624 Chainstay outer casing (10 cm.)
- 625 Steel outer casing from handlebar control to 629 (75 cm)
- 652 Safety cable
- 711 Gear vipla outer casing (23 cm.)
- 2045 Brake cable casing end-protector

## CAMPAGNOLO CLIPS

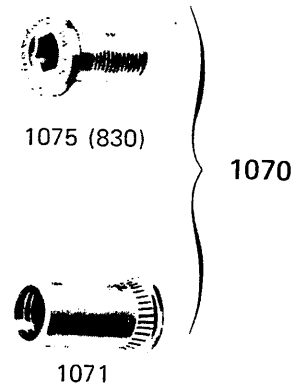
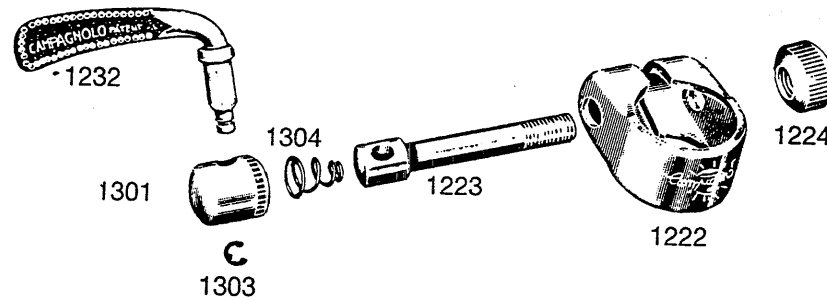


- 147 Twin outer cable clip (28 mm. Ø)
- 148 Outer cable clip (28 mm. Ø)
- 149 Outer cable clip (22 mm. Ø)
- 170 Outer cable clip (13 mm. Ø)
- 171 Clip bolt
- 172 Nut for bolt 171
- 215 Cage spanner bolt
- 217 Cage spacer bolt nut
- 609 Clip bolt and nut
- 626/a Double stop clip for down tube controls
- 627/a Down tube tunnel R/H for gear
- 628 Front changer clip
- 629 Double stop cable clip for handlebar control
- 630 Clip-on-tunnel and stop with pump holder D/T
- 631 Clip-on-tunnel and stop with pump holder
- 632 Pump holder
- 633 Clip with pump holder for 10-speed handlebar stops
- 636 Stop clip on chainstay for rear derailleur
- 647 Adaptor shim when fitting 632 to down tube
- 648 Pump peg holder
- 649 Brake cable clip
- 659 Outer cable clip (15 mm. Ø)

# CAMPAGNOLO SPECIAL BINDER BOLTS

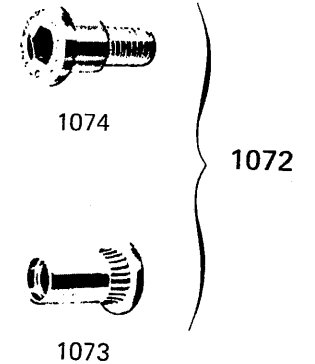
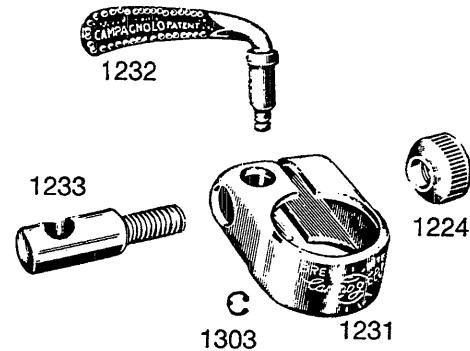
## 1220 CLIP WITH QUICK-RELEASE

- 1222 Clip body (please specify body diameter)
- 1223 Spindle
- 1224 Adjusting nut
- 1232 Lever
- 1301 Lever block
- 1303 Circlip
- 1304 Tension spring



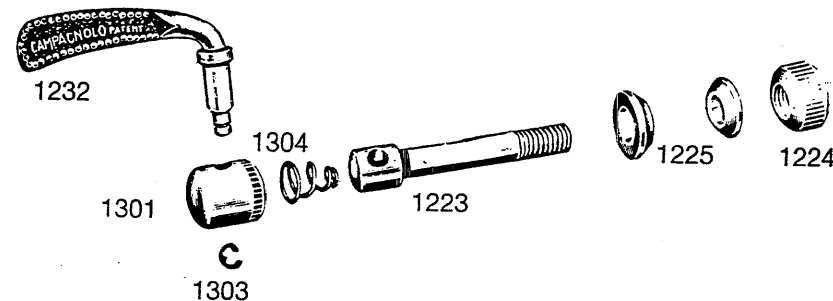
## 1230 CLIP WITH INCORPORATED QUICK-RELEASE

- 1224 Adjusting nut
- 1231 Clip body (please specify body diameter)
- 1232 Lever
- 1233 Spindle
- 1303 Circlip



## 1240 SPECIAL QUICK-RELEASE BOLT

- 1223 Spindle
- 1224 Adjusting nut
- 1225 Spacing washers
- 1232 Lever
- 1301 Lever block
- 1303 Circlip
- 1304 Tension spring

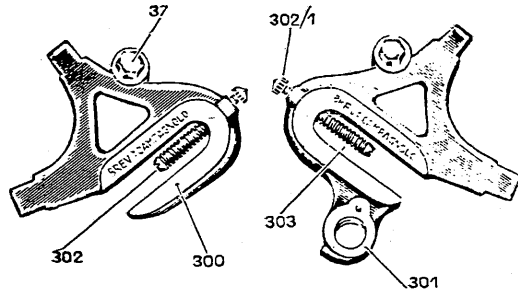


- 830 Bolt for fixing seat pin to frame (∅ 10)
- 1070 Bolt and nut for fixing seat pin to frame (∅ 10)
- 1071 Nut for fixing seat pin to frame (∅ 10)
- 1072 Bolt and nut for fixing seat pin to frame (∅ 8)
- 1073 Nut for fixing seat pin to frame (∅ 8)
- 1074 Bolt for fixing seat pin to frame (∅ 8)
- 1075 Bolt for nut 1071 (∅ 10)

WHEN ORDERING PLEASE ALWAYS SPECIFY THE DESIRED DIAMETER OF CLAMP

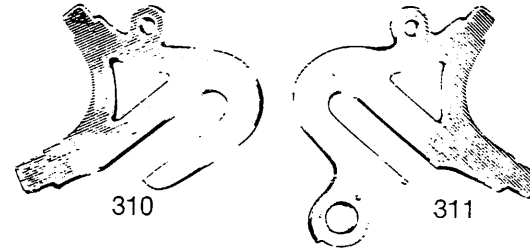
CAMPAGNOLO FRONT AND REAR FORK ENDS

1010 RECORD SET



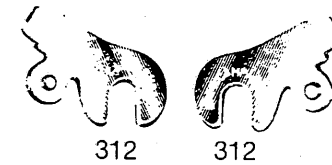
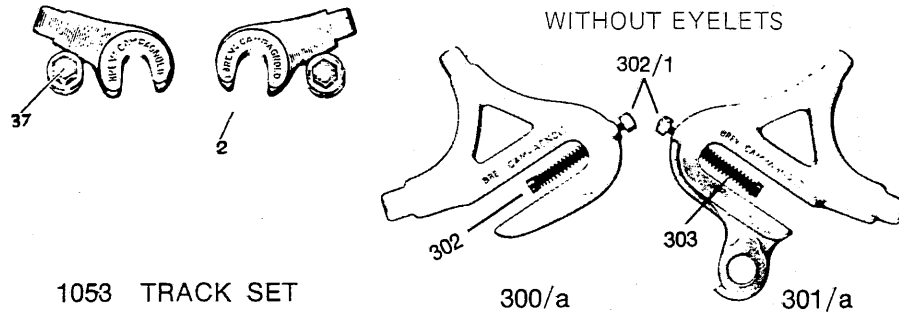
- 2 Front fork ends
- 37 Screw and washer
- 300 Left hand rear end
- 301 Right hand rear end
- 302 Adjusting bolt
- 302/1 Nut for bolt 302
- 303 Adjusting bolt spring

1010 1 SPORT SET

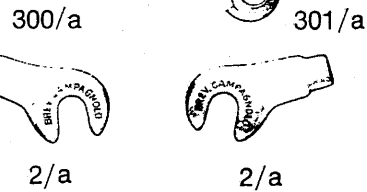
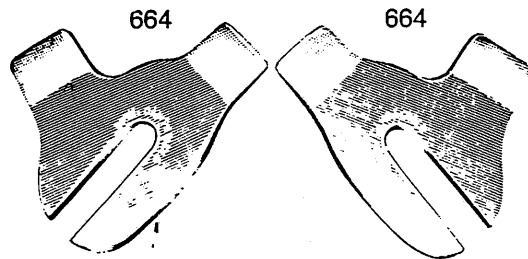


- 310 Left hand rear end
- 311 Right hand rear end
- 312 Front fork ends

1010/a REAR AND FRONT FORK ENDS WITHOUT EYELETS

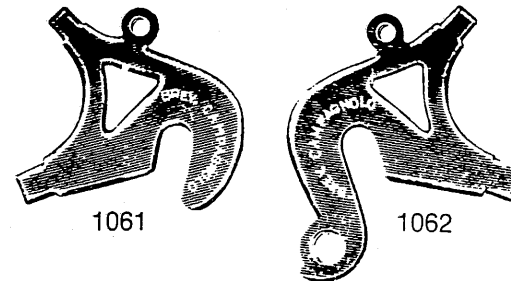


1053 TRACK SET

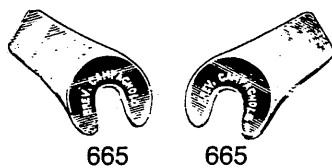


- 2/a Front fork ends without eyelets
- 300/a Left hand rear end without eyelet
- 301/a Right hand rear end without eyelet
- 302 Adjusting bolt
- 302/1 Nut for bolt 302
- 303 Adjusting bolt spring
- 1010/a Campagnolo rear and front fork ends without eyelets

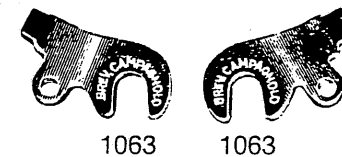
1060 RACING SET



- 1061 Left hand rear end
- 1062 Right hand rear end
- 1063 Front fork ends

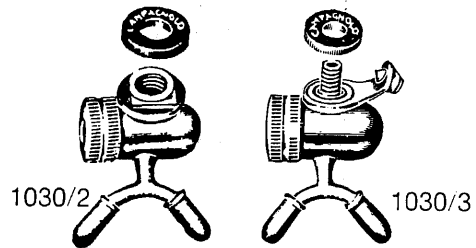
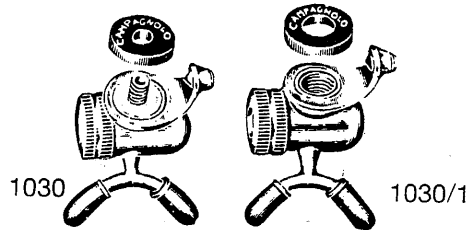


- 664 Rear fork ends
- 665 Front fork ends

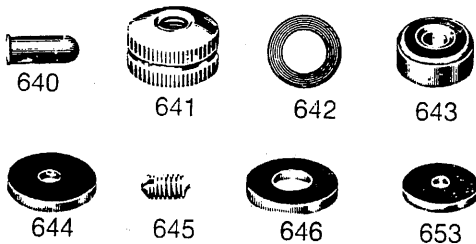


# CAMPAGNOLO PUMP ENDS, TRACK SPROCKETS AND GREASE

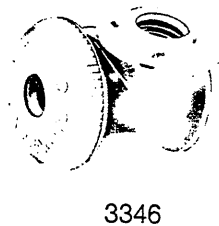
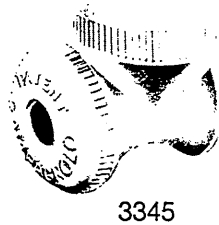
## PUMP ENDS



## SPARE PARTS

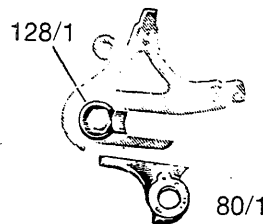
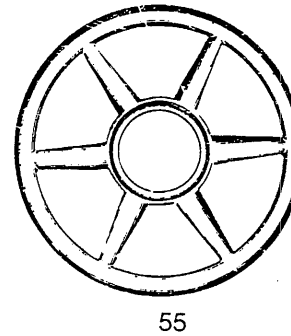
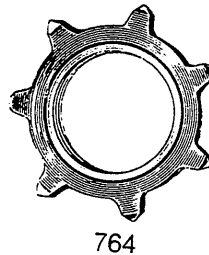
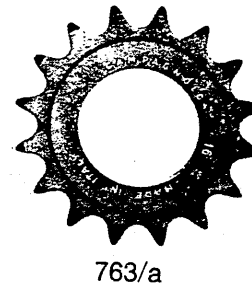
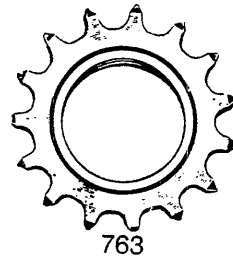


- 640 Rubber cap
- 641 Milled nut
- 642 Rubber washer
- 643 Rubber washer for tubular vaives
- 644 Rubber washer for pump connector 1030
- 645 Connecting screw
- 646 Rubber washer for pump connectors 1030 1 and 1030 2
- 653 Rubber washer for pump connector 1030 3
- 1030 Pump connector for British pumps complete with 7/32" or 7/16" locking screw
- 1030 1 Pump connector for Italian pumps with 9 x 1.25 locking screw
- 1030 2 Pump connector for Italan Silca Impero pumps with 9 x 1.25 squared boss
- 1030 3 Pump connector for French pumps with 5 x 1 or 7 x 1 locking screw



- 55 Spoke disc (specify if for 4 or 5 sprockets)
- 80 1 Gear fixing plate
- 128 1 Rear fork end bolt
- 651 Freewheel spacer (1 - 1.5 - 2 mm. thick)
- 763 Standard sprocket for 12" x 18" 3 mm. chain. (Sprockets with 12 - 13 - 14 - 15 - 16 teeth available)
- 764 Racing chain sprocket for 1" x 3/16 (4.6 mm.) chain. (Sprocket with 6 - 7 - 8 or for 1" x 1/8" chain available)
- 763 a Superlight standard sprocket for 12" x 18" 3 mm. chain. (Sprockets with 12 - 13 - 14 - 15 - 16 teeth available).
- 3345 Adaptor ensemble with ring
- 3346 Adactor ensemble with square boss

## SUNDRIES



## SPECIAL GREASE



3385  
100 grams

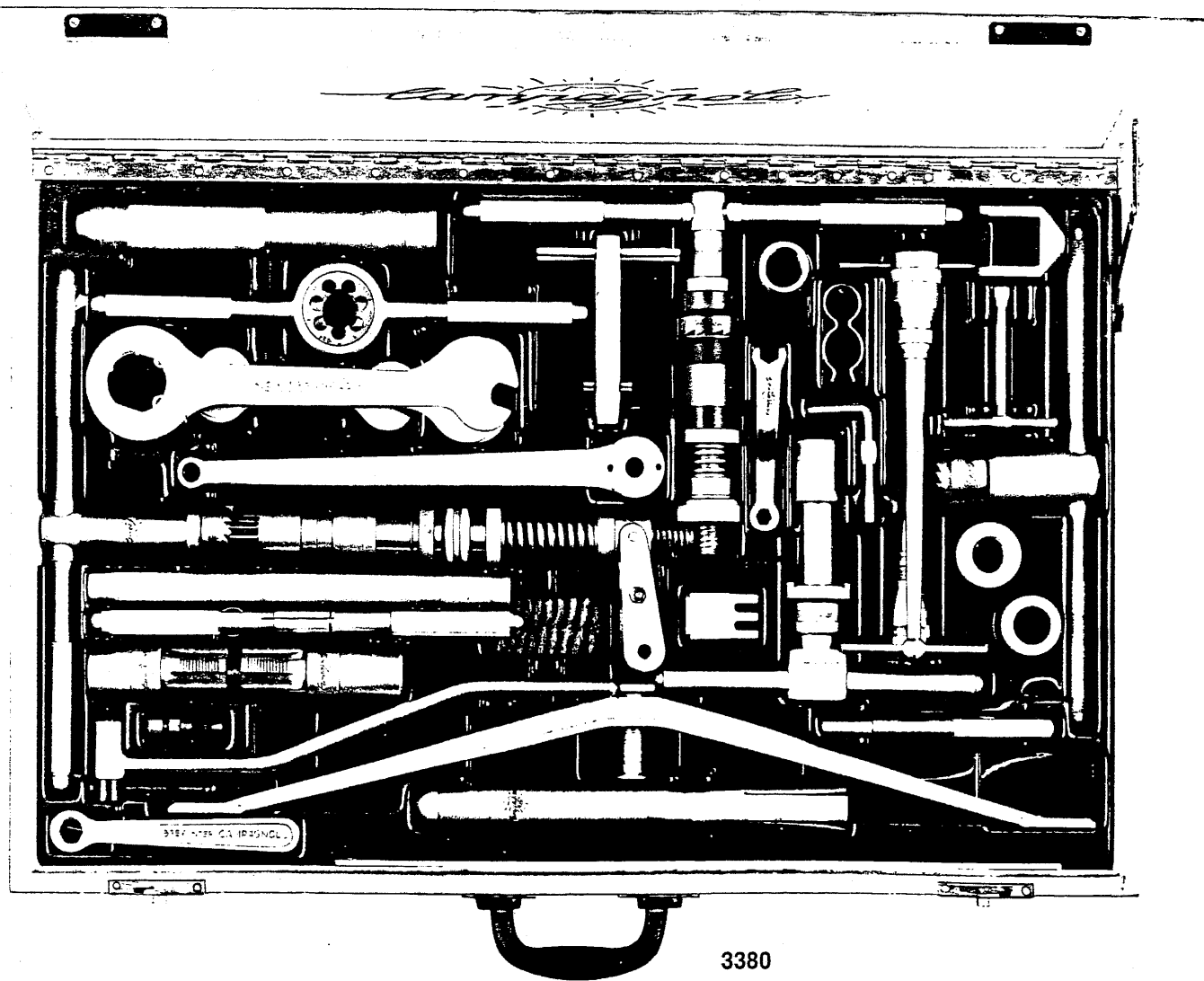


3386  
500 grams



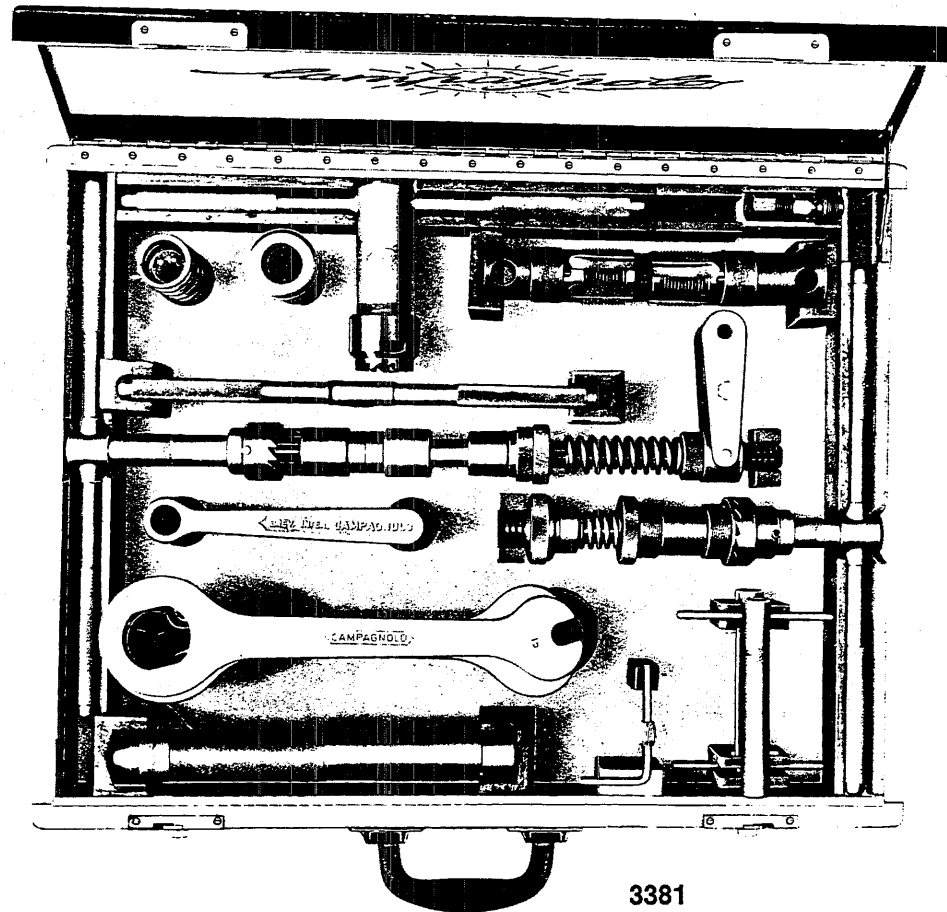
3387  
1 kilogram





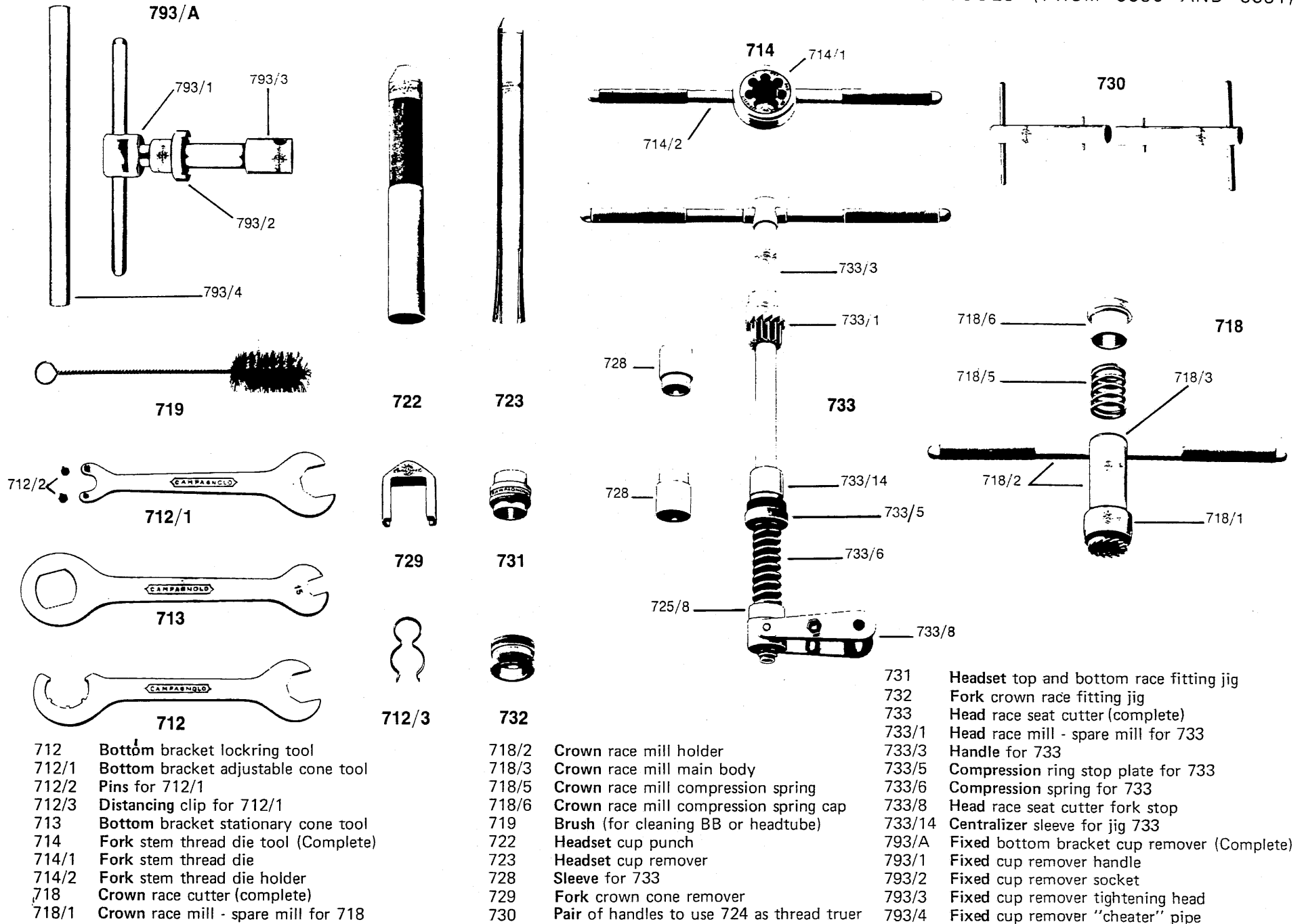
3380

3381 PARTIAL CAMPAGNOLO TOOL CASE



3381

SPECIAL CAMPAGNOLO TOOLS (FROM 3380 AND 3381)

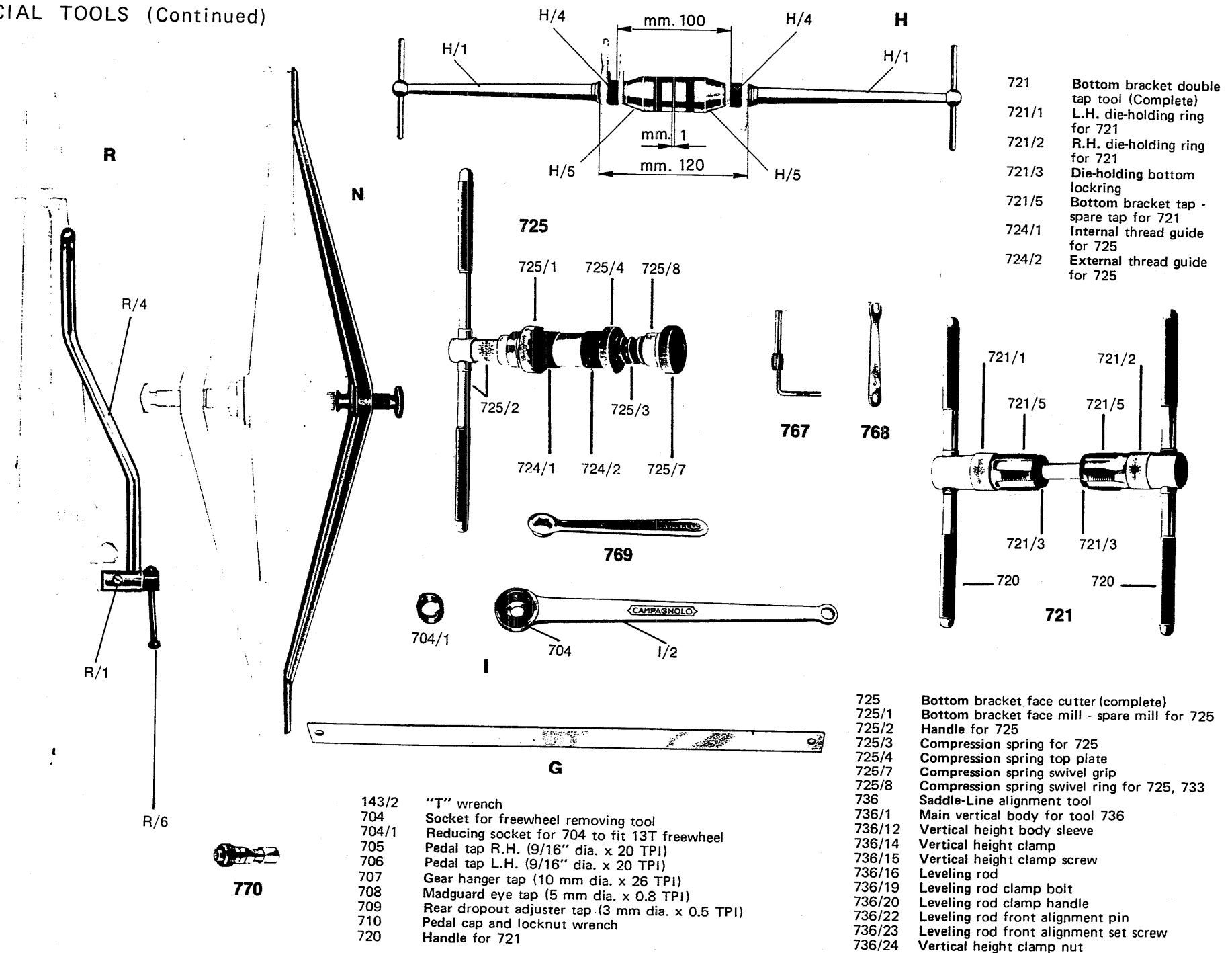


- 712 Bottom bracket lockring tool
- 712/1 Bottom bracket adjustable cone tool
- 712/2 Pins for 712/1
- 712/3 Distancing clip for 712/1
- 713 Bottom bracket stationary cone tool
- 714 Fork stem thread die tool (Complete)
- 714/1 Fork stem thread die
- 714/2 Fork stem thread die holder
- 718 Crown race cutter (complete)
- 718/1 Crown race mill - spare mill for 718

- 718/2 Crown race mill holder
- 718/3 Crown race mill main body
- 718/5 Crown race mill compression spring
- 718/6 Crown race mill compression spring cap
- 719 Brush (for cleaning BB or headtube)
- 722 Headset cup punch
- 723 Headset cup remover
- 728 Sleeve for 733
- 729 Fork crown cone remover
- 730 Pair of handles to use 724 as thread truer

- 731 Headset top and bottom race fitting jig
- 732 Fork crown race fitting jig
- 733 Head race seat cutter (complete)
- 733/1 Head race mill - spare mill for 733
- 733/3 Handle for 733
- 733/5 Compression ring stop plate for 733
- 733/6 Compression spring for 733
- 733/8 Head race seat cutter fork stop
- 733/14 Centralizer sleeve for jig 733
- 793/A Fixed bottom bracket cup remover (Complete)
- 793/1 Fixed cup remover handle
- 793/2 Fixed cup remover socket
- 793/3 Fixed cup remover tightening head
- 793/4 Fixed cup remover "cheater" pipe

SPECIAL TOOLS (Continued)

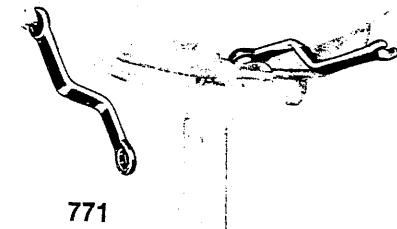


- 721 Bottom bracket double tap tool (Complete)
- 721/1 L.H. die-holding ring for 721
- 721/2 R.H. die-holding ring for 721
- 721/3 Die-holding bottom lockring
- 721/5 Bottom bracket tap - spare tap for 721
- 724/1 Internal thread guide for 725
- 724/2 External thread guide for 725

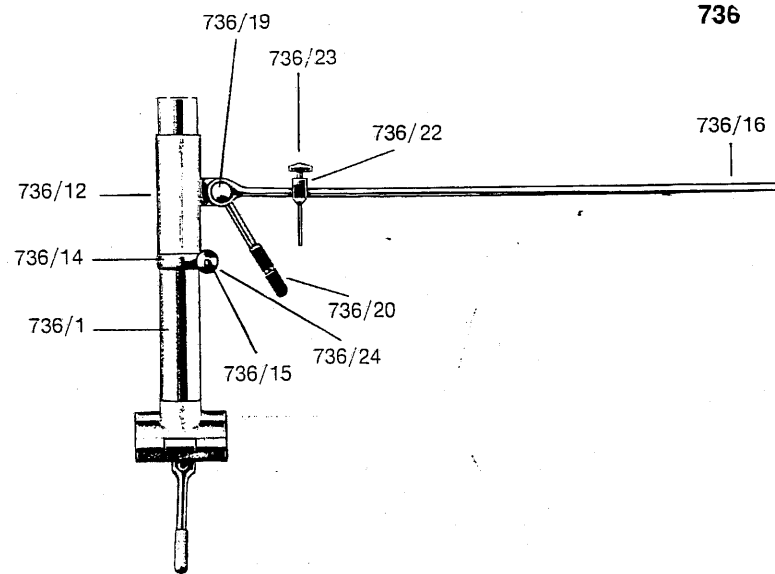
- 143/2 "T" wrench
- 704 Socket for freewheel removing tool
- 704/1 Reducing socket for 704 to fit 13T freewheel
- 705 Pedal tap R.H. (9/16" dia. x 20 TPI)
- 706 Pedal tap L.H. (9/16" dia. x 20 TPI)
- 707 Gear hanger tap (10 mm dia. x 26 TPI)
- 708 Madguard eye tap (5 mm dia. x 0.8 TPI)
- 709 Rear dropout adjuster tap (3 mm dia. x 0.5 TPI)
- 710 Pedal cap and locknut wrench
- 720 Handle for 721

- 725 Bottom bracket face cutter (complete)
- 725/1 Bottom bracket face mill - spare mill for 725
- 725/2 Handle for 725
- 725/3 Compression spring for 725
- 725/4 Compression spring top plate
- 725/7 Compression spring swivel grip
- 725/8 Compression spring swivel ring for 725, 733
- 736 Saddle-Line alignment tool
- 736/1 Main vertical body for tool 736
- 736/12 Vertical height body sleeve
- 736/14 Vertical height clamp
- 736/15 Vertical height clamp screw
- 736/16 Leveling rod
- 736/19 Leveling rod clamp bolt
- 736/20 Leveling rod clamp handle
- 736/22 Leveling rod front alignment pin
- 736/23 Leveling rod front alignment set screw
- 736/24 Vertical height clamp nut

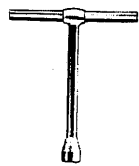
SPECIAL TOOLS (Continued)



771



736



143/2



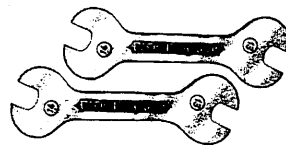
710



2025



P



Q



705



706



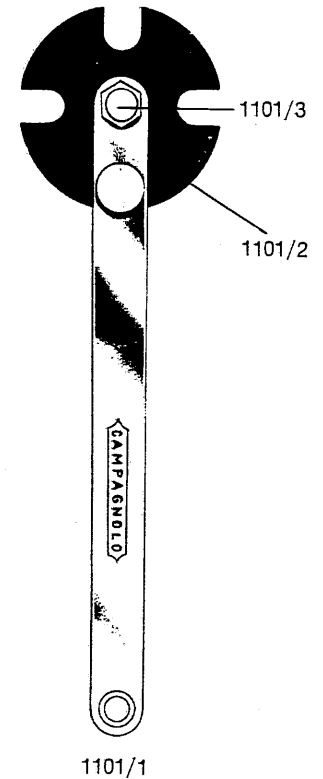
707



708



709



1101/1

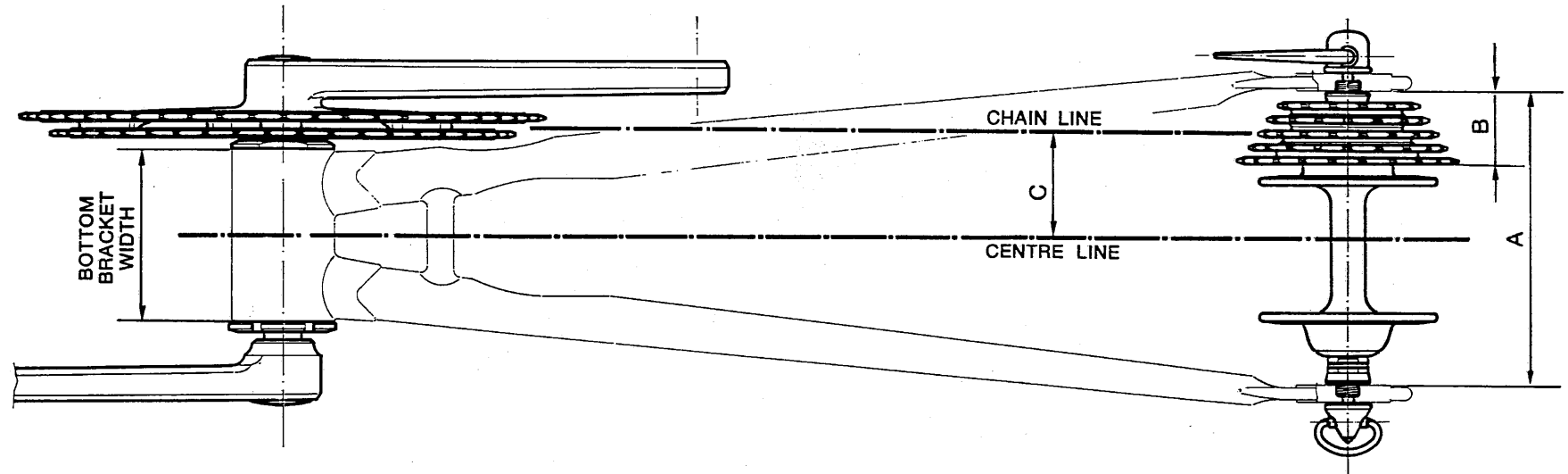
- 767 L-Shaped chainwheel cap allen key
- 768 Chainwheel fastening screw spanner
- 769 Cotterless spindle end bolt spanner
- 770 Cotterless crank extractor
- 771 Saddle spanner
- 1101 Pedal spanner
- 1101/1 Handle for pedal spanner
- 1101/2 Main plate for pedal spanner
- 1101/3 Center fixing bolt for pedal spanner
- 2025 Special brake spanner

- G Straight edge
- H Backstay alignment tool (pair)
- H/1 Handle for H tool
- H/4 Fork locking for H tool
- H/5 Head for H tool
- I Freewheel removing tool complete
- I/2 Handle for I tool

- N Wheel dish tool
- P Axle holding tool for 9 and 10 mm dia.
- Q Cone wrenches 13/14 or 15/16
- R Backstay tool
- R/1 Set-Screw for R tool
- R/4 Main arm for R tool
- R/6 Tightening handle for R tool

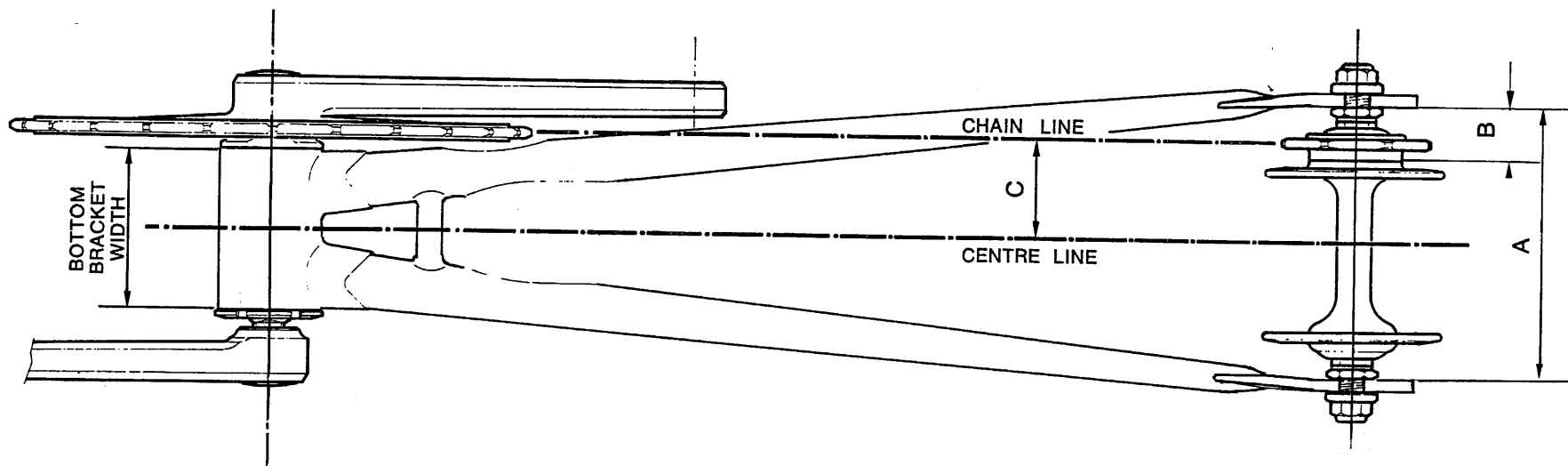


# CAMPAGNOLO ROAD CHAIN LINE



BOTTOM BRACKET WIDTH	REAR HUB WIDTH « A »	FREEWHEEL WIDTH « B »	CHAIN LINE « C »
68	120	29	43,5
70	120	29	43,5
74	120	29	43,5

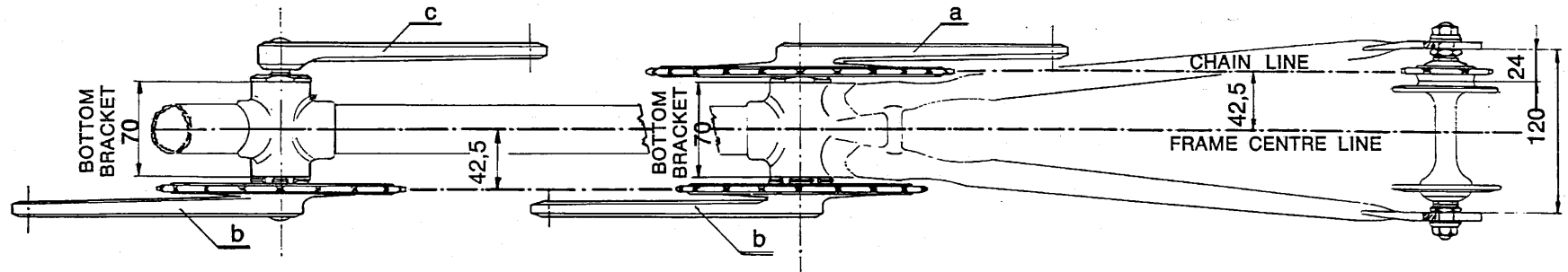
# CAMPAGNOLO TRACK CHAIN LINE



BOTTOM BRACKET WIDTH	REAR HUB WIDTH « A »	SPROCKET WIDTH « B »	CHAIN LINE « C »
65	110	21.5	40
68	110	21.5	40
68	120	24	42,5
70	120	24	42,5



# CAMPAGNOLO TANDEM CHAIN LINE



<b>a</b>	TRACK (OR ROAD) RIGHT HAND STANDARD CRANK
<b>b</b>	TRACK (OR ROAD) RIGHT HAND CRANK WITH LEFT HAND THREAD
<b>c</b>	TRACK (OR ROAD) LEFT HAND CRANK WITH RIGHT HAND THREAD

GEAR TABLE 27" WHEELS

GEAR TABLE 27" WHEELS														
	36	38	40	42	44	45	46	47	48	49	50	51	52	54
12	81.0	85.5	90.0	94.5	99.0	101.2	103.5	105.0	108.0	110.3	112.5	114.7	117.0	121.5
13	74.7	78.9	83.1	87.2	91.4	93.4	95.5	97.6	99.7	101.8	103.8	105.9	108.0	112.1
14	69.4	73.3	77.1	81.0	84.8	86.7	88.7	90.6	92.6	94.5	96.4	98.3	100.3	104.1
15	64.8	68.4	72.0	75.6	79.2	80.9	82.8	84.6	86.4	88.2	90.0	91.8	93.6	97.2
16	60.8	64.1	67.5	70.9	74.2	76.0	77.6	79.3	81.0	82.7	84.4	86.1	87.7	91.1
17	57.2	60.3	63.5	66.7	69.9	71.5	73.0	74.6	76.2	77.8	79.4	81.0	82.6	85.7
18	54.0	57.0	60.0	63.0	66.0	67.5	69.0	70.5	72.0	73.5	75.0	76.5	78.0	81.0
19	51.2	54.0	56.8	59.7	62.5	64.0	65.4	66.8	68.2	69.6	71.0	72.5	73.9	76.7
20	48.6	51.3	54.0	56.7	59.4	60.8	62.1	63.4	64.8	66.1	67.5	68.8	70.2	72.9
21	46.3	48.9	51.4	54.0	56.6	57.9	59.1	60.4	61.7	63.0	64.3	65.5	66.8	69.4
22	44.2	46.6	49.1	51.5	54.0	55.2	56.4	57.7	58.9	60.1	61.4	62.6	63.8	66.2
23	42.3	44.6	47.0	49.3	51.6	52.8	54.0	55.2	56.3	57.5	58.7	59.9	61.0	63.4
24	40.5	42.7	45.0	47.2	49.5	50.7	51.7	52.9	54.0	55.1	56.2	57.3	58.5	60.7
25	38.9	41.1	43.2	45.4	47.5	48.6	49.7	50.8	51.8	52.9	54.0	55.1	56.2	58.3
26	37.4	39.5	41.5	43.6	45.7	46.7	47.8	48.8	49.8	50.9	51.9	53.7	54.0	56.1

GEAR RATIOS NOT SHOWN ABOVE MAY BE CALCULATED AS FOLLOWS

$$\text{GEAR} = \frac{\text{Number of teeth on C/ring}}{\text{Number of teeth on Sprocket}} \times \text{Diameter of rear wheel in inches}$$